

Seattle E™ Electric Fireplace


AVALON
Firestyles for Life



Photo shows the bronze powder coated
Tree of Life face with the optional walnut
finished fireplace mantel.

Download from www.somanuals.com. All Manuals Search And Download.

The Atmosphere Is Electric!

Add the warmth and glow of a real fireplace where you could not before with Avalon's new Seattle Electric fireplace.

To most people, adding an electric fireplace means heading to your local 'Home Improvement Warehouse' and buying a plain black firebox with a veneered surround that looks like a cheap add-on to the room. With The Seattle™ E we've designed an electric fireplace that not only fits within the home's architectural style, but dazzles the eye and seduces the senses with its gorgeous, dancing flames and glowing embers.

It's Really That Easy!

Operating from any 110 volt wall outlet, the Seattle E is conveniently plug-and-play. Ideal for apartment renters, condo owners, basements, offices, bedrooms, and today's busy lifestyle. No chimney, vent or gas access is needed for the Seattle E to burn brightly. And, when you move - take your fireplace with you!

It's All In The Fire!

The radiating, pulsating fire of the Seattle E can be viewed through 564 square inches of glass. A custom, high quality log set glows as the fire appears to burn and the ember bed flickers. The light intensity of the flame can be modulated with the remote control, as well as the speed of the flame. The remote control also has the ability to control the interior accent light, sleep timer, room temperature, power, and clean air system.

Clear Up The Air!

The Seattle E features the patented Purifire™ clean air system. The system uses a built-in fan to circulate and purify the air of an average room (12' X 14') four times per hour.

Add A Little Warmth!

A built-in heater and circulating fan is yet another feature of the fireplace. Producing 5,000 Btu's and heating up to 400 square feet, the fireplace serves perfectly for adding supplemental heat to the room the fireplace is in. Operating costs when used with the built-in thermostat averages about 8 cents* and hour.

*When used with thermostat. This may vary with your local utility costs.

Download from www.Somanuals.com. All Manuals Search And Download.



Add A Fireplace Anywhere:

Build the Seattle E into an existing wall or chase and sheet-rock up to the face. Or you can finish it off like a traditional fireplace with stone or tile. Shown with the Bungalow face and J. C. Huffman Osage mantel.



With The Remote You Control:

1. Room Temperature
2. Thermostat - Set Room Temperature
3. Accent Light Dimmer - High to Low
4. Flame Speed - High to Low
5. Sleep Timer
6. Purifire® High to Low
7. Flame & Heat On/Off
8. Purifire® On/Off



Purifire™ Clean Air System:

The filter is easy to remove and clean. The system is designed to circulate and clean the air in an average room 4 times per hour. This system is designed to remove any impurities, spores and dust as small as one micron from your home.

*Purifire is a registered trademark of Dimplex™ N. A. A.

Personalize Your Look!

You can personalize the finished look of your Seattle E fireplace with a black painted frame or one of three different 36 inch wide custom designer faces in a variety of colors and finishes.



Forest Grove Black Frame

The economical, basic metallic black frame with embossed wood grain is designed for a clean simple look.

33" W x 28" H



Victorian Lace™ Face

The delicate Victorian Lace face design features woven grill work in a charcoal paint finish.

36 1/8" W x 29" H



Bungalow™ Face

The Bungalow™ double door face design features a charcoal powder coated textured surface.

36 1/8" W x 29" H



Tree of Life™ Face

The organic Tree of Life double door face design features a bronze powder coated textured surface.

36 1/8" W x 29" H

Finishing Your Installation

You have two ways to finish the installation of your Seattle Electric fireplace within your home. You can use one of our fireplace cabinet systems. Or you can build it into an existing wall or chase and sheetrock up to the face, then finish it off like a traditional fireplace with a mantel and stone or tile.

Sterling™ Fireplace Cabinets

If you are looking for exceptional value, add one of our Sterling fireplace cabinet systems and you can have your new Seattle Electric fireplace installed in less than one hour! These fireplace cabinets allow the fireplace to be installed against any wall in your home. Fireplace cabinets make it easy to relocate your fireplace at any time. Take the beauty and heat to other rooms, or take it with you when you move.

A 15 AMP, 110 VOLT wall outlet is required. A dedicated circuit is preferred but not essential in all cases.

Sterling™ Fireplace Cabinet Dimensions:

52 5/8" Wide

43" High

17 1/2" Deep



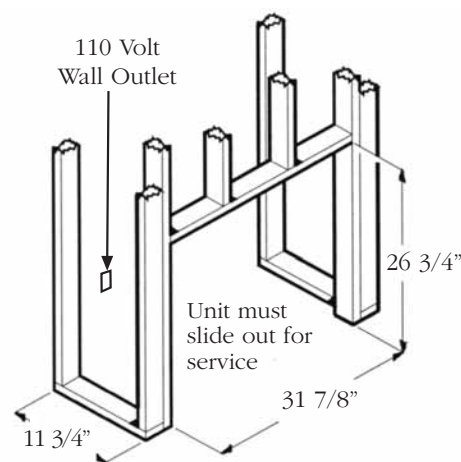
Installation Without A Fireplace Cabinet

If you want a flush-to-the wall look for your fireplace, you have the option of building in or framing around your Seattle E Fireplace. When framing the Seattle E enclosure, you must use the following MINIMUM internal opening dimensions shown to the right.

The electric fireplace must be able to slide out for service. You must also provide a standard 15 AMP - 110 Volt wall outlet, preferably on its own breaker, within the enclosure to allow the fireplace to be plugged in. The enclosure must allow the fireplace to easily be removed for service. The fireplace cannot be hardwired.

CAUTION

Clearance for air circulation beneath the fireplace is critical. **DO NOT INSTALL THE FIREPLACE DIRECTLY ON CARPET OR SIMILAR SURFACES WHICH MAY RESTRICT AIR CIRCULATION.**



Visit us online:
www.avalonfirestyle.com

Free Manuals Download Website

<http://myh66.com>

<http://usermanuals.us>

<http://www.somanuals.com>

<http://www.4manuals.cc>

<http://www.manual-lib.com>

<http://www.404manual.com>

<http://www.luxmanual.com>

<http://aubethermostatmanual.com>

Golf course search by state

<http://golfingnear.com>

Email search by domain

<http://emailbydomain.com>

Auto manuals search

<http://auto.somanuals.com>

TV manuals search

<http://tv.somanuals.com>