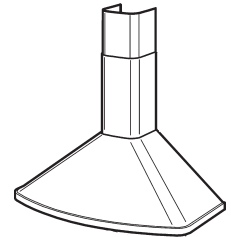


K3139 SERIES RANGE HOODS



Traditional Italian style and a soft-radius design beautifully merge to create a hand-rolled masterpiece.

FEATURES

- Italian design
- Wall mount
- Finishes: 430 Stainless Steel #4 Brushed, White, Black
- Widths: 30", 36", 42"
- Ducted/non-ducted telescopic flue accommodates 8' to 9' ceilings
- 6" round duct connector/backdraft damper
- Halogen lighting (2 bulbs included. Type GU10, MR16 shielded, 120 volt, 50 watts max.)
- Multispeed push-button controls feature an "On" indicator
- Quiet, variable-speed centrifugal blower with high-efficiency motor produces 400 CFM of exhaust
- Can be ducted to the outside or non-ducted for indoor recirculation (purchase recirculation kit separately)
- Dishwasher-safe filter features a quick-release latch and decorative cover plate
- Heat Sentry™ - automatically turns blower to high speed when excess cooking heat is detected

OPTIONS

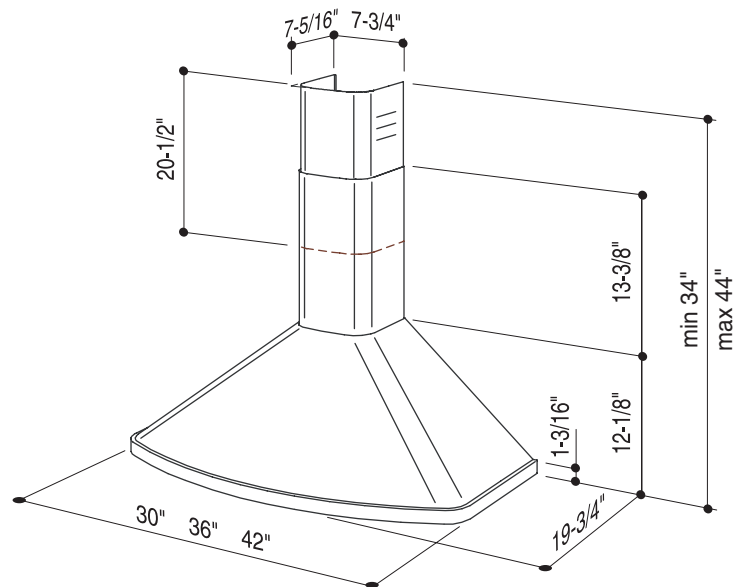
- Backsplash available (Contact Broan Technical Support)
- Non-ducted recirculation kit (Model NDK3139)
- Replacement charcoal filters available (Model FILTEREB40)
- Flue extension for 10' ceiling (for ducted applications) (35" long) (Model FEXTK3139 in Stainless Steel, White, Black)

SPECIFICATIONS

VOLTS	AMPS	CFM	SONES	DUCT
120	3.03	400	6.0	6" round



BEST BY BROAN P.O. BOX 140 HARTFORD, WISCONSIN 53027



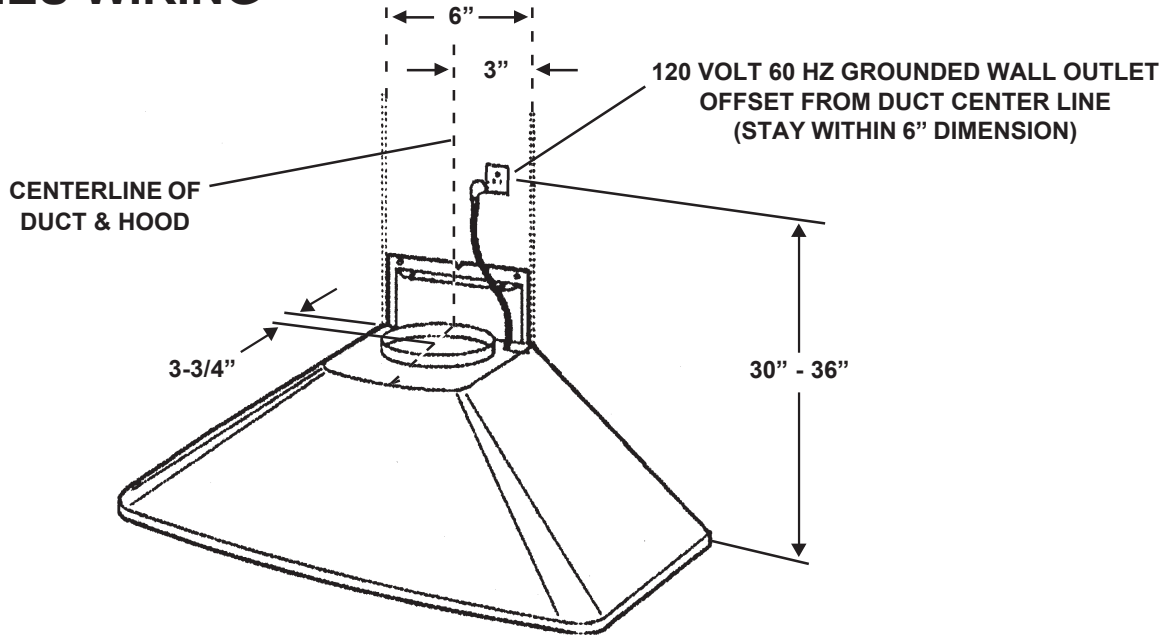
Mount range hood so bottom of hood is 24" minimum above cooking surface.



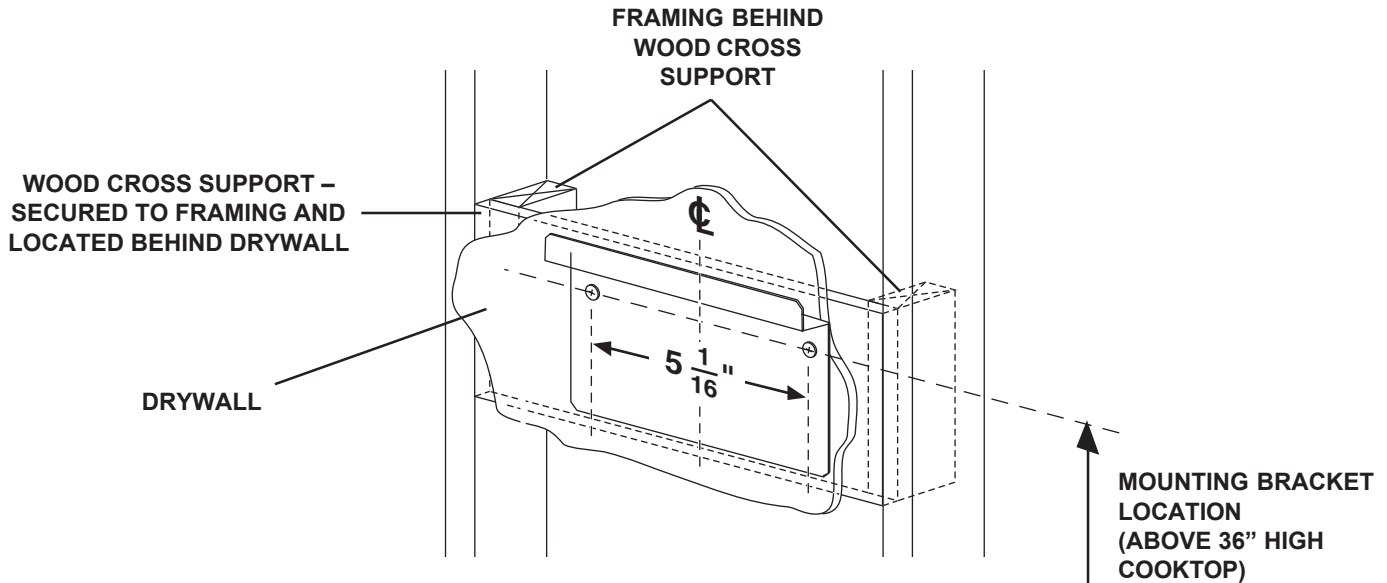
HVI-2100 CERTIFIED RATINGS comply with new testing technologies and procedures prescribed by the Home Ventilating Institute, for off-the-shelf products, as they are available to consumers. Product performance is rated at 0.1 in. static pressure, based on tests conducted in AMCA's state-of-the-art test laboratory. Sones are a measure of humanly-perceived loudness, based on laboratory measurements.

REFERENCE	QTY.	REMARKS	Project
			Location
			Architect
			Engineer
			Contractor
			Submitted by
			Date

K3139 SERIES WIRING



K3139 SERIES MOUNTING



CEILING HEIGHT	DUCT METHOD	MOUNTING DISTANCE ABOVE 36" HIGH COOKTOP (SEE NOTE BELOW)						
		24"	25"	26"	27"	28"	29"	30"
8 FEET	DUCTED OR NONDUCTED	37-7/8"	38-7/8"	39-7/8"				
9 FEET	DUCTED OR NONDUCTED					41-7/8"	42-7/8"	43-7/8"
10 FEET	DUCTED WITH FEXTK3139			39-7/8"	40-7/8"	41-7/8"	42-7/8"	43-7/8"

NOTE: Minimum hood distance above cooktop must not be less than 24".
A maximum of 30" above the cooktop is highly recommended for best capture of cooking impurities.
Distances over 30" are at the installer and users' discretion; and if ceiling height and flue length permit.



BEST BY BROAN P.O. BOX 140 HARTFORD, WISCONSIN 53027

Free Manuals Download Website

<http://myh66.com>

<http://usermanuals.us>

<http://www.somanuals.com>

<http://www.4manuals.cc>

<http://www.manual-lib.com>

<http://www.404manual.com>

<http://www.luxmanual.com>

<http://aubethermostatmanual.com>

Golf course search by state

<http://golfingnear.com>

Email search by domain

<http://emailbydomain.com>

Auto manuals search

<http://auto.somanuals.com>

TV manuals search

<http://tv.somanuals.com>