

CHICAGO

Electric[®] Power Tools

AIRLESS PAINT SPRAY MACHINE

Model 99702

SET UP AND OPERATING INSTRUCTIONS



Distributed exclusively by Harbor Freight Tools[®].

3491 Mission Oaks Blvd., Camarillo, CA 93011

Visit our website at: <http://www.harborfreight.com>



**Read this material before using this product.
Failure to do so can result in serious injury.
SAVE THIS MANUAL.**

Copyright[®] 2008 by Harbor Freight Tools[®]. All rights reserved. No portion of this manual or any artwork contained herein may be reproduced in any shape or form without the express written consent of Harbor Freight Tools. Diagrams within this manual may not be drawn proportionally. Due to continuing improvements, actual product may differ slightly from the product described herein. Tools required for assembly and service may not be included.

For technical questions or replacement parts, please call 1-800-444-3353.

SAVE THIS MANUAL

Keep this manual for the safety warnings and precautions, assembly, operating, inspection, maintenance and cleaning procedures. Write the product's serial number in the back of the manual near the assembly diagram (or month and year of purchase if product has no number). Keep this manual and the receipt in a safe and dry place for future reference.

IMPORTANT SAFETY INFORMATION

In this manual, on the labeling, and all other information provided with this product:



This is the safety alert symbol. It is used to alert you to potential personal injury hazards. Obey all safety messages that follow this symbol to avoid possible injury or death.

DANGER

DANGER indicates a hazardous situation which, if not avoided, will result in death or serious injury.

WARNING

WARNING indicates a hazardous situation which, if not avoided, could result in death or serious injury.

CAUTION

CAUTION, used with the safety alert symbol, indicates a hazardous situation which, if not avoided, could result in minor or moderate injury.

NOTICE

NOTICE is used to address practices not related to personal injury.

CAUTION

CAUTION, without the safety alert symbol, is used to address practices not related to personal injury.

General Power Tool Safety Warnings



WARNING Read all safety warnings and instructions. Failure to follow the warnings and instructions may result in electric shock, fire and/or serious injury. Save all warnings and instructions for future reference. The term "power tool" in the warnings refers to your mains-operated (corded) power tool.


1. **Work area safety**
 - a. **Keep work area clean and well lit.** Cluttered or dark areas invite accidents.
 - b. **Do not operate in poorly ventilated areas.** Keep the work area well ventilated; paint fumes can make you sick.
 - c. **Do not operate power tools in the presence of flames or sparks.** The Paint Spray Machine creates fumes which may ignite.
 - d. **Keep children and bystanders away while operating a power tool.** Distractions can cause you to lose control.
2. **Electrical safety**
 - a. **Power tool plugs must match the outlet. Never modify the plug in any way. Do not use any adapter**

- plugs with grounded power tools.** *Unmodified plugs and matching outlets will reduce risk of electric shock.*
- b. **Do not expose power tools to rain or wet conditions.** *Water entering a power tool will increase the risk of electric shock.*
 - c. **Do not abuse the cord. Never use the cord for carrying, pulling or unplugging the power tool. Keep cord away from heat, oil, sharp edges or moving parts.** *Damaged or entangled cords increase the risk of electric shock.*
 - d. **When operating a power tool outdoors, use an extension cord suitable for outdoor use.** *Use of a cord suitable for outdoor use reduces the risk of electric shock.*
 - e. **If operating a power tool in a damp location is unavoidable, use a Ground Fault Circuit Interrupter (GFCI) protected supply.** *Use of a GFCI reduces the risk of electric shock.*
3. **Personal safety**
- a. **Stay alert, watch what you are doing and use common sense when operating a power tool. Do not use a power tool while you are tired or under the influence of drugs, alcohol or medication.** *A moment of inattention while operating power tools may result in serious personal injury.*
 - b. **Use personal protective equipment. Always wear eye protection.** *Safety equipment such as respirator, non-skid safety shoes, hard hat, or hearing protection used for appropriate conditions will reduce personal injuries.*
- c. **Prevent unintentional starting.** **Ensure the switch is in the off-position before connecting to power source and/or battery pack, picking up or carrying the tool.** *Carrying power tools with your finger on the switch or energizing power tools that have the switch on invites accidents.*
 - d. **Do not overreach. Keep proper footing and balance at all times.** *This enables better control of the power tool in unexpected situations.*
 - e. **Dress properly. Do not wear loose clothing or jewelry. Keep your hair, clothing and gloves away from moving parts.** *Loose clothes, jewelry or long hair can be caught in moving parts.*
 - f. **Only use safety equipment that has been approved by an appropriate standards agency.** *Unapproved safety equipment may not provide adequate protection. Eye protection must be ANSI-approved and breathing protection must be NIOSH-approved for the specific hazards in the work area.*
4. **Power tool use and care**
- a. **Do not force the power tool. Use the correct power tool for your application.** *The correct power tool will do the job better and safer at the rate for which it was designed.*
 - b. **Do not use the power tool if the switch does not turn it on and off.** *Any power tool that cannot be controlled with the switch is dangerous and must be repaired.*
 - c. **Disconnect the plug from the power source before making any adjustments, changing accesso-**

ries, or storing power tools. Such preventive safety measures reduce the risk of starting the power tool accidentally.

- d. **Store idle power tools out of the reach of children and do not allow persons unfamiliar with the power tool or these instructions to operate the power tool.** *Power tools are dangerous in the hands of untrained users.*
 - e. **Maintain power tools. Check for misalignment or binding of moving parts, breakage of parts and any other condition that may affect the power tool's operation. If damaged, have the power tool repaired before use.** *Many accidents are caused by poorly maintained power tools.*
 - f. **Use the power tool, accessories and tool bits etc. in accordance with these instructions, taking into account the working conditions and the work to be performed. Use of the power tool for operations different from those intended could result in a hazardous situation.**
5. **Service**
- a. **Have your power tool serviced by a qualified repair person using only identical replacement parts.** *This will ensure that the safety of the power tool is maintained.*

Spray Machine Safety Warnings

1.  Injection Hazard. The high pressure jet produced by this tool can cut skin or cause injury to hands or eyes. Do not allow spray to strike you and do not spray toward

people or animals. Do not spray the tool itself or any electrical source.

2. Maintain labels and nameplates on the tool. These carry important safety information. If unreadable or missing, contact Harbor Freight Tools for a replacement.
3. Do not use to spray caustic materials. Only use the Paint Machine to spray paint.
4. Avoid unintentional starting. Prepare to begin work before turning on the tool.
5. Industrial applications must follow OSHA standards.
6. Maintain a firm grip on the tool with both hands to control the direction of spray.
7. Do not leave the tool unattended when it is plugged into an electrical outlet. Turn off the tool, and unplug it before leaving.
8. This product is not a toy. Keep it out of reach of children.
9. Mask the area around the painting site to protect property and equipment from overspray.
10. People with pacemakers should consult their physician(s) before use. Electromagnetic fields in close proximity to heart pacemaker could cause pacemaker interference or pacemaker failure. In addition, people with pacemakers should:
 - Avoid operating alone.
 - Do not use with power switch locked on.
 - Properly maintain and inspect to avoid electrical shock.

- Any power cord must be properly grounded. Ground Fault Circuit Interrupter (GFCI) should also be implemented – it prevents sustained electrical shock.
11. **WARNING:** The brass components of this product contain lead, a chemical known to the State of California to cause birth defects (or other reproductive harm). (California Health & Safety code § 25249.5, *et seq.*)
 12. Some dust created by power sanding, sawing, grinding, drilling, and other construction activities, contains chemicals known [to the State of California] to cause cancer, birth defects or other reproductive harm. Some examples of these chemicals are:
 - Lead from lead-based paints
 - Crystalline silica from bricks and cement or other masonry products
 - Arsenic and chromium from chemically treated lumber
 Your risk from these exposures varies, depending on how often you do this type of work. To reduce your exposure to these chemicals: work in a well ventilated area, and work with approved safety equipment, such as those dust masks that are specially designed to filter out microscopic particles. (California Health & Safety Code § 25249.5, *et seq.*)
 13. **WARNING:** Handling the cord on this product will expose you to lead, a chemical known to the State of California to cause cancer, and birth defects or other reproductive harm. Wash hands after handling. (California Health & Safety Code § 25249.5, *et seq.*)
 14. The warnings, precautions, and instructions discussed in this instruction manual cannot cover all possible conditions and situations that may occur. It must be understood by the operator that common sense and caution are factors which cannot be built into this product, but must be supplied by the operator.

Vibration Safety

This tool vibrates during use. Repeated or long-term exposure to vibration may cause temporary or permanent physical injury, particularly to the hands, arms and shoulders. To reduce the risk of vibration-related injury:

1. Anyone using vibrating tools regularly or for an extended period should first be examined by a doctor and then have regular medical check-ups to ensure medical problems are not being caused or worsened from use. Pregnant women or people who have impaired blood circulation to the hand, past hand injuries, nervous system disorders, diabetes, or Raynaud's Disease should not use this tool. If you feel any medical or physical symptoms related to vibration (such as tingling, numbness, and white or blue fingers), seek medical advice as soon as possible.
2. Do not smoke during use. Nicotine reduces the blood supply to the hands and fingers, increasing the risk of vibration-related injury.
3. Wear suitable gloves to reduce the vibration effects on the user.

4. Use tools with the lowest vibration when there is a choice between different processes.
5. Include vibration-free periods each day of work.
6. Grip tool as lightly as possible (while still keeping safe control of it). Let the tool do the work.
7. To reduce vibration, maintain the tool as explained in this manual. If any abnormal vibration occurs, stop use immediately.



SAVE THESE INSTRUCTIONS.

GROUNDING

WARNING

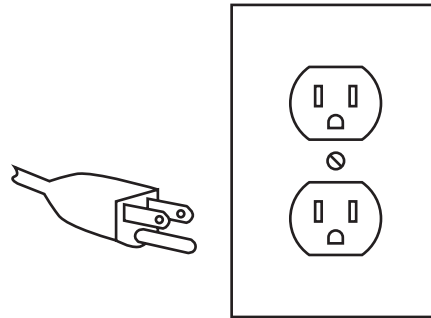
TO PREVENT ELECTRIC SHOCK



AND DEATH FROM INCORRECT GROUNDING WIRE CONNECTION:

Check with a qualified electrician if you are in doubt as to whether the outlet is properly grounded. Do not modify the power cord plug provided with the tool. Never remove the grounding prong from the plug. Do not use the tool if the power cord or plug is damaged. If damaged, have it repaired by a service facility before use. If the plug will not fit the outlet, have a proper outlet installed by a qualified electrician.

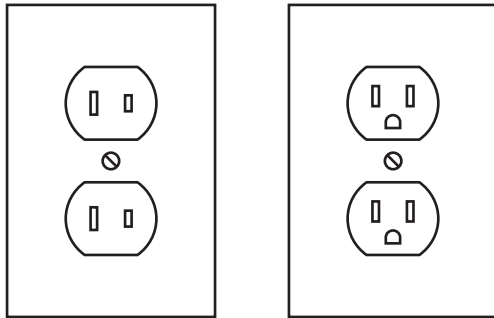
Grounded Tools: Tools with Three Prong Plugs



3-Prong Plug and Outlet

1. Tools marked with “Grounding Required” have a three wire cord and three prong grounding plug. The plug must be connected to a properly grounded outlet. If the tool should electrically malfunction or break down, grounding provides a low resistance path to carry electricity away from the user, reducing the risk of electric shock. **(See 3-Prong Plug and Outlet.)**
2. The grounding prong in the plug is connected through the green wire inside the cord to the grounding system in the tool. The green wire in the cord must be the only wire connected to the tool’s grounding system and must never be attached to an electrically “live” terminal. **(See 3-Prong Plug and Outlet.)**
3. The tool must be plugged into an appropriate outlet, properly installed and grounded in accordance with all codes and ordinances. The plug and outlet should look like those in the preceding illustration. **(See 3-Prong Plug and Outlet.)**

Double Insulated Tools: Tools with Two Prong Plugs



Outlets for 2-Prong Plug

1. Tools marked “Double Insulated” do not require grounding. They have a special double insulation system which satisfies OSHA requirements and complies with the applicable standards of Underwriters Laboratories, Inc., the Canadian Standard Association, and the National Electrical Code. **(See Outlets for 2-Prong Plug.)**
2. Double insulated tools may be used in either of the 120 volt outlets shown in the preceding illustration. **(See Outlets for 2-Prong Plug.)**

Extension Cords







1. **Grounded** tools require a three wire extension cord. **Double Insulated** tools can use either a two or three wire extension cord.
2. As the distance from the supply outlet increases, you must use a heavier gauge extension cord. Using extension cords with inadequately sized wire causes a serious drop in voltage, resulting in loss of power and possible tool damage. **(See Table A.)**

3. The smaller the gauge number of the wire, the greater the capacity of the cord. For example, a 14 gauge cord can carry a higher current than a 16 gauge cord. **(See Table A.)**
4. When using more than one extension cord to make up the total length, make sure each cord contains at least the minimum wire size required. **(See Table A.)**
5. If you are using one extension cord for more than one tool, add the nameplate amperes and use the sum to determine the required minimum cord size. **(See Table A.)**
6. If you are using an extension cord outdoors, make sure it is marked with the suffix “W-A” (“W” in Canada) to indicate it is acceptable for outdoor use.
7. Make sure the extension cord is properly wired and in good electrical condition. Always replace a damaged extension cord or have it repaired by a qualified electrician before using it.
8. Protect the extension cords from sharp objects, excessive heat, and damp or wet areas.

RECOMMENDED MINIMUM WIRE GAUGE FOR EXTENSION CORDS* (120/240 VOLT)					
NAMEPLATE AMPERES (at full load)	EXTENSION CORD LENGTH				
	25'	50'	75'	100'	150'
0 – 2.0	18	18	18	18	16
2.1 – 3.4	18	18	18	16	14
3.5 – 5.0	18	18	16	14	12
5.1 – 7.0	18	16	14	12	12
7.1 – 12.0	18	14	12	10	-
12.1 – 16.0	14	12	10	-	-
16.1 – 20.0	12	10	-	-	-

TABLE A * Based on limiting the line voltage drop to five volts at 150% of the rated amperes.

Symbology

	Double Insulated
	Canadian Standards Association
	Underwriters Laboratories, Inc.
	Volts Alternating Current
	Amperes
	No Load Revolutions per Minute (RPM)

SPECIFICATIONS

Electrical Requirements	120 V~ / 60 Hz / 7.5 A
Motor	3/4 HP
Operating PSI	2350 – 2650 psi
Paint Flow	0.33 GPM
Fuse	Class F, F10A/250 V
Hose Size	1/4"
Oil Requirement	Hydraulic Oil

UNPACKING

When unpacking, make sure that the item is intact and undamaged. If any parts are missing or broken, please call Harbor Freight Tools at the number shown on the cover of this manual as soon as possible.

INSTRUCTIONS FOR PUTTING INTO USE



Read the **ENTIRE IMPORTANT SAFETY INFORMATION** section at the beginning of this manual including all text under subheadings therein before set up or use of this product.

WARNING

TO PREVENT SERIOUS INJURY

FROM ACCIDENTAL OPERATION:

Turn the Power Switch of the tool to its "OFF" position and unplug the tool from its electrical outlet before assembling or making any adjustments to the tool.

Note: For additional information regarding the parts listed in the following pages, refer to the Assembly Diagram near the end of this manual.

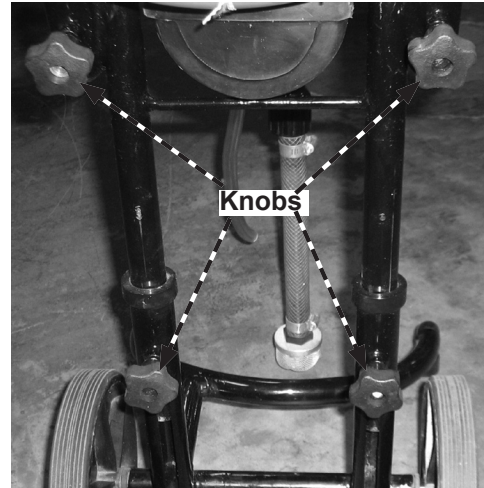
SKU 99702

For technical questions, please call 1-800-444-3353.

REV 08j
Page 9

Assembly

1. Turn the knobs on the handle counterclockwise, pull the handle up, and secure it by turning the knobs clockwise. Repeat with lower knobs to raise the Sprayer to the correct height for the job. The Sprayer should be 1/4" above the bottom of the pail.



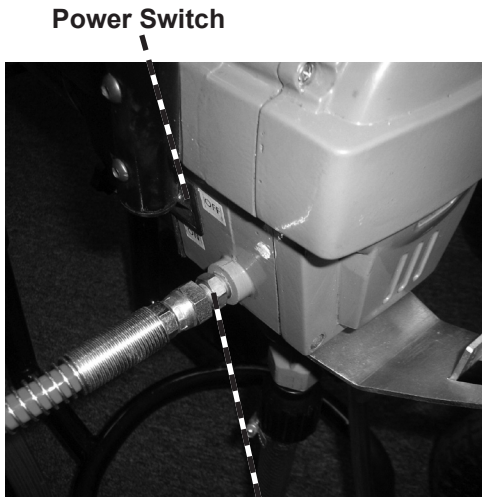
2. Insert the ends of the hose bracket into the holes on the inside of the handle.
3. Remove the hex nuts on the front of the unit, then use them to secure the pail bracket to the unit.

Pail Bracket



PRIME/SPRAY Knob

- Remove plastic cap and thread the pressure hose onto the hose spray port and secure.



Hose connected to spray port

- Remove the plastic cap on the end of the spray gun and thread the other end of the hose onto it. Remove the plastic cap from gun tip.



- Thread the suction tube onto the inlet valve.
- Press the return tube onto the return tube fitting.

Return tube on return tube fitting

Suction tube connection to inlet valve.



OPERATING INSTRUCTIONS



Read the **ENTIRE IMPORTANT SAFETY INFORMATION** section at the beginning of this manual including all text under subheadings therein before set up or use of this product.

Tool Set Up

WARNING TO PREVENT SERIOUS INJURY

FROM ACCIDENTAL OPERATION:

Turn the Power Switch of the tool to its "OFF" position and unplug the tool from its electrical outlet before performing any inspection, maintenance, or cleaning procedures.

Work Piece and Work Area Set Up

1. Designate a work area that is clean and well-lit. The work area must not allow access by children or pets to prevent injury and distraction.
2. Route the power cord along a safe route to reach the work area without creating a tripping hazard or exposing the power cord to possible damage. The power cord must reach the work area with enough extra length to allow free movement while working.
3. There must not be hazardous objects, such as utility lines or foreign objects, nearby that will present a hazard while working.
4. Clean the surface to be painted thoroughly prior to beginning operations.

General Operating Instructions

Fill the pump with oil:



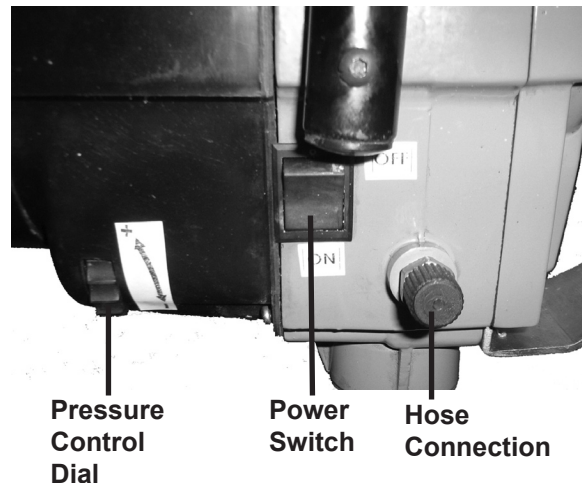
1. Lay the pump on its back and remove the oil cap. Fill with a good quality

hydraulic oil. Replace the cap and set the unit upright.

2. Push the lubrication button on the face of the unit ten times to lubricate the system before each use.
3. Press the lubrication button every eight hours of use.

Purge and prime the Sprayer:

4. Before each use; the Sprayer must be purged and primed.
5. Place the suction tube into a container of paint.
6. Secure the return tube to a metal waste container.
7. Turn the pressure control dial to maximum pressure and turn the "PRIME/SPRAY" knob to the "PRIME" position.

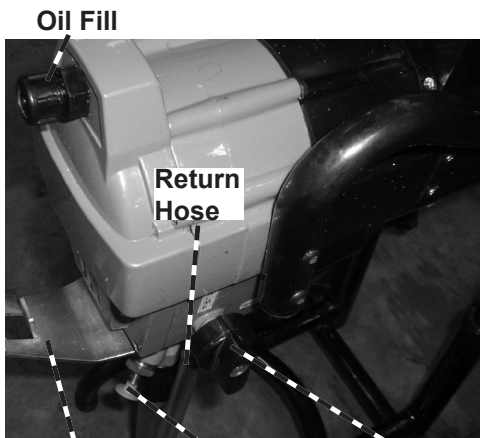


8. Push the Priming Button several times.
9. Plug the power cord of the Sprayer into a grounded 120V electric outlet and push the power switch of the Sprayer to the "ON" position.

10. Allow the unit to draw paint until all air and impurities are cleansed from the system and the paint runs pure.
11. Turn the power Switch to its "OFF" position and secure the return tube in its normal operating position.
17. Release the Trigger. Turn the "PRIME/SPRAY" knob to the "PRIME" position. Squeeze the Trigger once to make sure that pressure is released.

Purge and prime the Hose:

12. Do not attach the Spray Tip to the Gun when priming the Hose.
13. Unlock the Gun and turn the "PRIME/SPRAY" knob to the "PRIME" position.

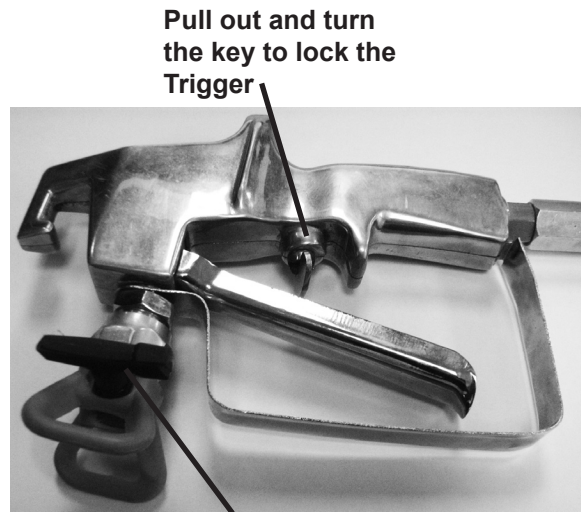


Pail Bracket Priming Button PRIME/SPRAY Knob

14. Aim the Gun at the side of the waste container and pull the Trigger. If using oil-based paint, ground the Gun by holding it against the side of the metal container.
15. Hold the Trigger down and turn the power switch of the Sprayer to the "ON" position.
16. Turn the "PRIME/SPRAY" knob to the "SPRAY" position and hold the Trigger down until all air and impurities are cleansed from the Hose and the paint runs pure.

Attach the Spray Tip:

18. Turn the Sprayer off.



Close the gauge at the end of the tip to lock the gun

19. Lock the Gun and thread the Spray Tip on it.

Painting:

20. Fill a paint container (not included) with paint. Follow paint manufacturer's directions for the type of paint being used. Place the suction nozzle into the paint container.
21. Turn the power switch of the Sprayer to the "ON" position, turn the "PRIME/SPRAY" knob to the "SPRAY" position, and turn the pressure switch to maximum.
22. When the motor cycles off, unlock the Gun and spray a test area.

23. Adjust the pressure control dial until a solid coat of paint of desired thickness is achieved.
24. Painting Tips:
 - Spray 10 to 12 inches from the surface.
 - Begin moving the Gun before squeezing the Trigger.
 - Release the Trigger before ending the stroke.
 - Paint using short, even strokes.
 - Keep the spray gun at a right angle to the painting surface.
 - Keep the tip of the spray gun parallel to the ground.
 - Overlap each stroke by about 30% to ensure an even coat.
25. When finished, turn the Power Switch to its "OFF" position. Point the Gun into the waste container and squeeze the Trigger to discharge Gun and Hose pressure. Lock the Gun.
26. Disconnect the power supply after use. Clean, then store the tool indoors out of children's reach.

MAINTENANCE AND SERVICING



Procedures not specifically explained in this manual must be performed only by a qualified technician.

WARNING

TO PREVENT SERIOUS INJURY

FROM ACCIDENTAL OPERATION:

Turn the Power Switch of the tool to its "OFF" position and unplug the tool from its electrical outlet before performing any inspection or maintenance.

TO PREVENT SERIOUS INJURY FROM TOOL FAILURE:

Do not use damaged equipment. If abnormal noise or vibration occurs, have the problem corrected before further use.

Cleaning, Maintenance, and Lubrication

1. **BEFORE EACH USE**, inspect the general condition of the tool. Check for loose screws, misalignment or binding of moving parts, cracked or broken parts, damaged electrical wiring, and any other condition that may affect its safe operation.
 2. **AFTER USE**, When using latex paint, clean the sprayer and components with clean water. When using oil based paint, use mineral spirits to clean the sprayer and components.
- a. Lock the Gun and remove the Spray Tip assembly.
 - b. Submerge the Suction Tube in a container with the appropriate cleaning solution.
 - c. Place the waste material container next to the paint container.
 - d. Aim the Spray Gun into the paint container and pull the trigger.
 - e. Turn the Power switch to the "ON" position and the "PRIME/SPRAY" knob to "SPRAY". Purge the paint into the original container until the cleaning solution starts coming out.
 - f. Move the Spray Gun to the waste container and continue holding the Trigger down until the cleaning fluid coming out is paint-free.
 - g. Release the Trigger, turn the "PRIME/SPRAY" knob to "PRIME" and pull the trigger once to release pressure.
 - h. Turn the power switch of the unit "OFF" and lock the Gun.
 - i. Remove the Suction Hose and return tube and clean them.
 - j. Wipe the thread of the inlet nut and remove and clean the inlet filter.
 - k. Thread the suction tube back in place and reconnect the return tube onto the return tube fitting.
 - l. Submerge the suction set in a container of NEW cleaning solution.
 - m. Turn the "PRIME/SPRAY" knob to "PRIME" and squeeze the trigger once into the waste container to relieve pressure.
 - n. Allow the pump to circulate the cleaning solution through the suction set for three minutes. If oil based paints were used, the unit must

- be flushed with water after being flushed with mineral spirits.
- o. Turn the power switch Off and unplug the Sprayer.
 - p. Remove the Gun from the hose.
 - q. Remove the filter from the spray gun. Clean with a soft brush and appropriate cleaning solution.
 - r. Remove the spray tip from the gun and clean with a soft brush and the appropriate cleaning solution.
 - s. Clean the washer, and spray tip seat.
 - t. Reassemble the Gun.
3. **⚠WARNING! If the supply cord of this power tool is damaged, it must be replaced only by a qualified service technician.**

Troubleshooting

Problem	Possible Causes	Likely Solutions
Sprayer will not start	<ol style="list-style-type: none"> 1. No power at outlet. 2. Cord not connected. 3. Sprayer turned off under pressure. 	<ol style="list-style-type: none"> 1. Check power at outlet. 2. Check that cord is plugged in. 3. Turn pressure control knob to maximum, or PRIME/SPRAY knob to PRIME.
Sprayer will not draw paint	<ol style="list-style-type: none"> 1. Sprayer has lost prime. 2. Paint level too low in container. 3. Suction set clogged. 4. Suction tube loose at inlet. 	<ol style="list-style-type: none"> 1. Prime sprayer again. 2. Fill paint container. 3. Clean suction Set. 4. Tighten Suction tube connections.
Pressure drops when trigger pulled	<ol style="list-style-type: none"> 1. Spray tip worn. 2. Suction set screen clogged. 3. Gun filter plugged. 4. Paint too heavy of coarse. 	<ol style="list-style-type: none"> 1. Replace spray tip. 2. Clean suction set screen. 3. Clean gun filter. 4. Strain and/or thin paint.
Paint runs excessively	<ol style="list-style-type: none"> 1. Paint too diluted. 2. Spray adjustment wrong. 3. Gun movement too slow. 4. Too close to surface. 	<ol style="list-style-type: none"> 1. Add undiluted paint to thicken. 2. Decrease pressure. 3. Increase speed of stroke. 4. Move gun back from surface.
Paint coverage poor	<ol style="list-style-type: none"> 1. Paint not diluted enough. 2. Paint is grainy. 	<ol style="list-style-type: none"> 1. Dilute paint more. 2. Filter paint.



Follow all safety precautions whenever diagnosing or servicing the tool. Disconnect power supply before service.

PLEASE READ THE FOLLOWING CAREFULLY

THE MANUFACTURER AND/OR DISTRIBUTOR HAS PROVIDED THE PARTS LIST AND ASSEMBLY DIAGRAM IN THIS MANUAL AS A REFERENCE TOOL ONLY. NEITHER THE MANUFACTURER OR DISTRIBUTOR MAKES ANY REPRESENTATION OR WARRANTY OF ANY KIND TO THE BUYER THAT HE OR SHE IS QUALIFIED TO MAKE ANY REPAIRS TO THE PRODUCT, OR THAT HE OR SHE IS QUALIFIED TO REPLACE ANY PARTS OF THE PRODUCT. IN FACT, THE MANUFACTURER AND/OR DISTRIBUTOR EXPRESSLY STATES THAT ALL REPAIRS AND PARTS REPLACEMENTS SHOULD BE UNDERTAKEN BY CERTIFIED AND LICENSED TECHNICIANS, AND NOT BY THE BUYER. THE BUYER ASSUMES ALL RISK AND LIABILITY ARISING OUT OF HIS OR HER REPAIRS TO THE ORIGINAL PRODUCT OR REPLACEMENT PARTS THERETO, OR ARISING OUT OF HIS OR HER INSTALLATION OF REPLACEMENT PARTS THERETO.

PUMP PARTS LIST

Part	Description	Qty
1	Housing	1
2	Rocker	1
3	Inlet Valve Assembly	1
4	Retaining Ring	1
5	Pin	1
6	Washer	1
7	Screw	1
8	Nut	1
8.1	Bush	1
9	Washer	1
10	Top Seal	1
10.1	Top Seal Spring	1
11	Nut	1
12	Ball	1
13	Priming Plunger	1
14	Circle Ring	1
15	Priming Spring	1
16	Priming Nut	1
17	Priming Cap	1
18	Priming Knob	1
19	Lock Nut	2
20	Piston/Seal Assembly	1
21	Pail Bracket	1
22	Socket Head Screw	2
23	Spray Port	1
24	Elbow	1
25	Oiler Nut	1
26	Oiler Cap	1
27	Manifold Pipe	1
28	Manifold Assembly	1
29	Phillips Head Screw	2

PUMP PARTS LIST

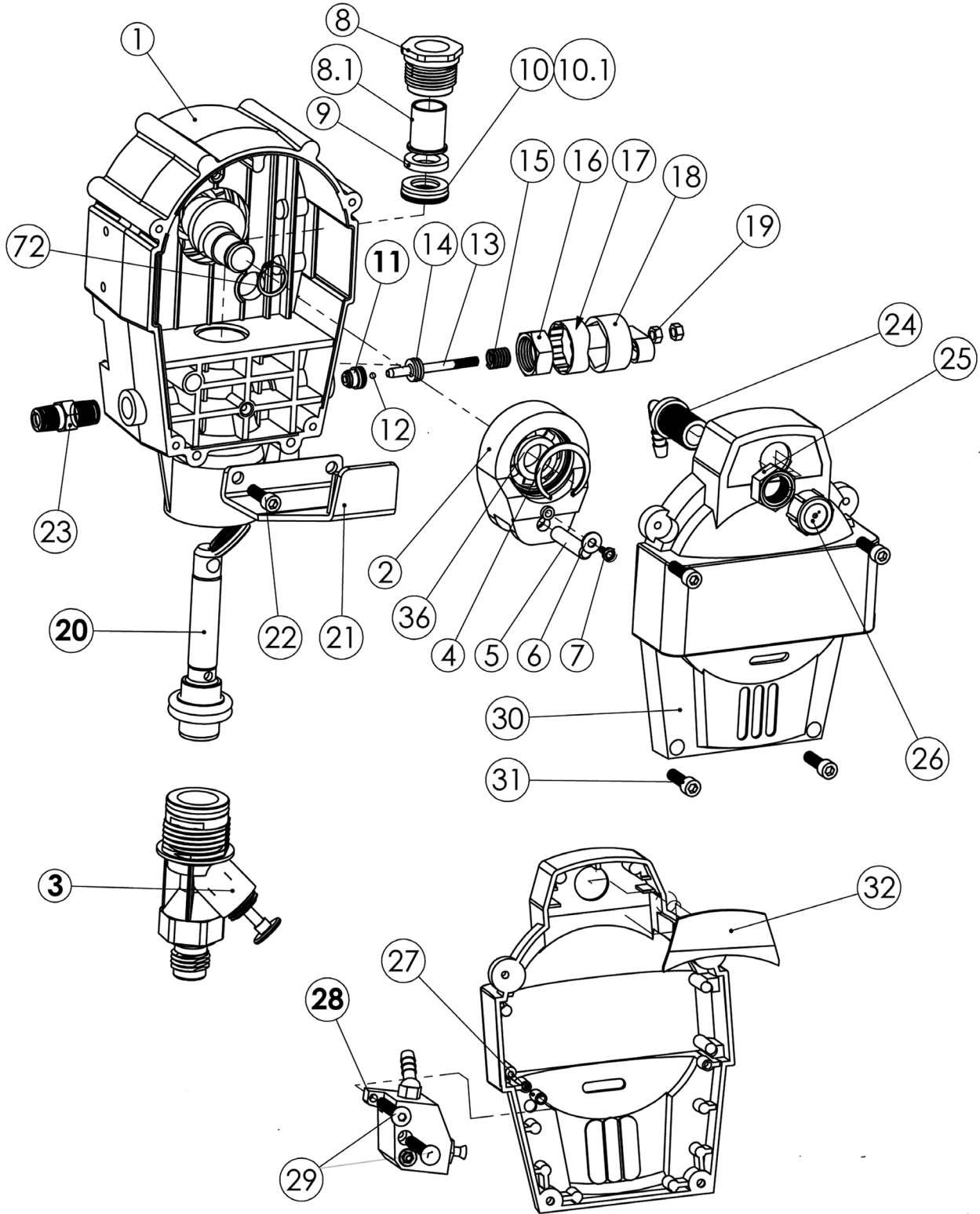
Part	Description	Qty
30	Fluid Cover	1
31	Screw	4
32	Fluid Cover Bracket	1
33	Cam	1
34	Bearing	1
35	Gear Cam Shaft	1
36	Bearing	3
37	Intermediate Gear	1
38	Intermediate Pin	1
39	Bearing	2
40	Pressure Assembly	1
41	Switch	1
42	Switch Housing	1
42.1	Counter Sunk Screw	1
42.2	Hex Nut	3
43	Cap	1
44	Cap Ring	1
45	Outlet	1
45.1	Cap Screw	1
46	Knob	1
47	Screw	1
48	Gear Box Body	1
48.1	Dowel Pin	2
49	Inverter	1
50	Screw	2
51	Cap Screw	4
51.1	Spring Washer	4
52	Spray Port	1
53	Washer	1
54	Power Switch	1

Record Product's Serial Number Here: _____

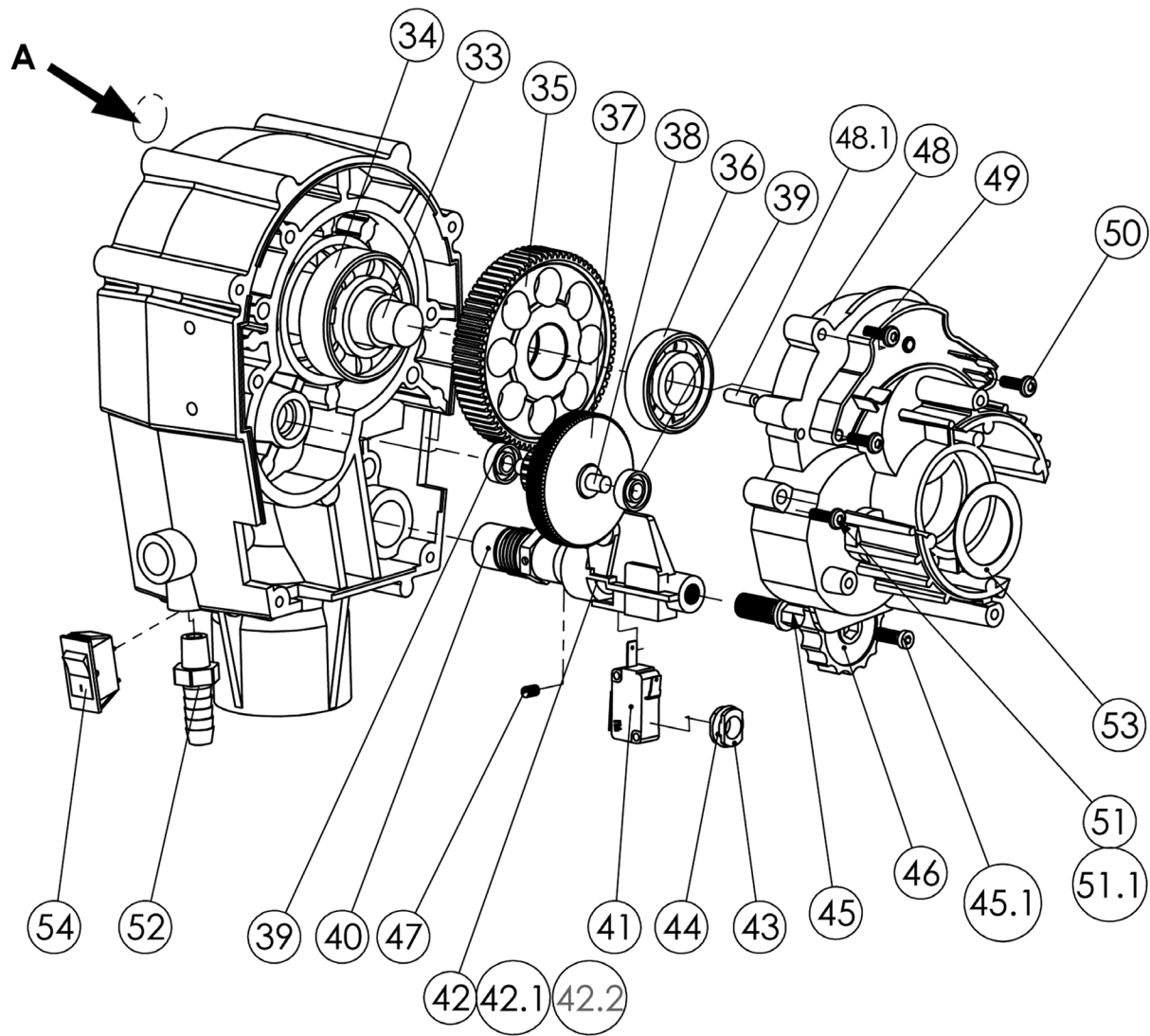
Note: If product has no serial number, record month and year of purchase instead.

Note: Some parts are listed and shown for illustration purposes only, and are not available individually as replacement parts.

PUMP DIAGRAM

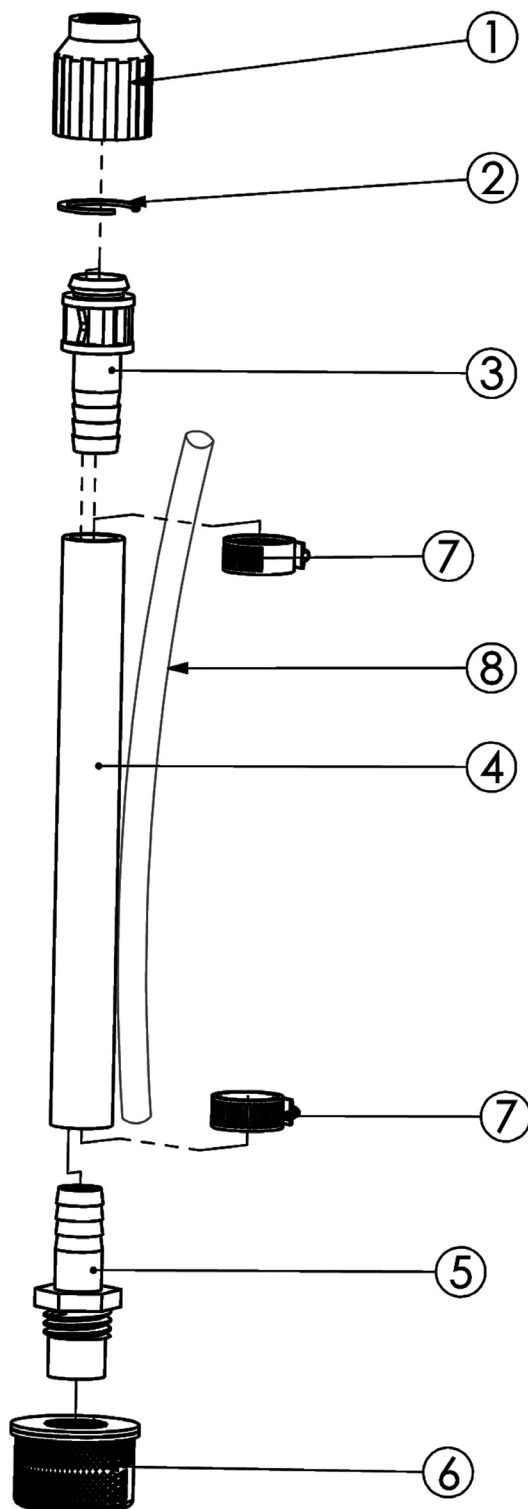


PUMP DIAGRAM, CONTINUED



SUCTION TUBE ASSEMBLY PARTS LIST & DIAGRAM

Part	Description	Qty
1B	Hose Nut	1
2B	Circlip	1
3B	Connection	1
4B	Tube	1
5B	Lower Connection	1
6B	Filter	1
7B	Clamp	2
8B	Return Tube	1



Note: When order parts from this list use the suffix "B"

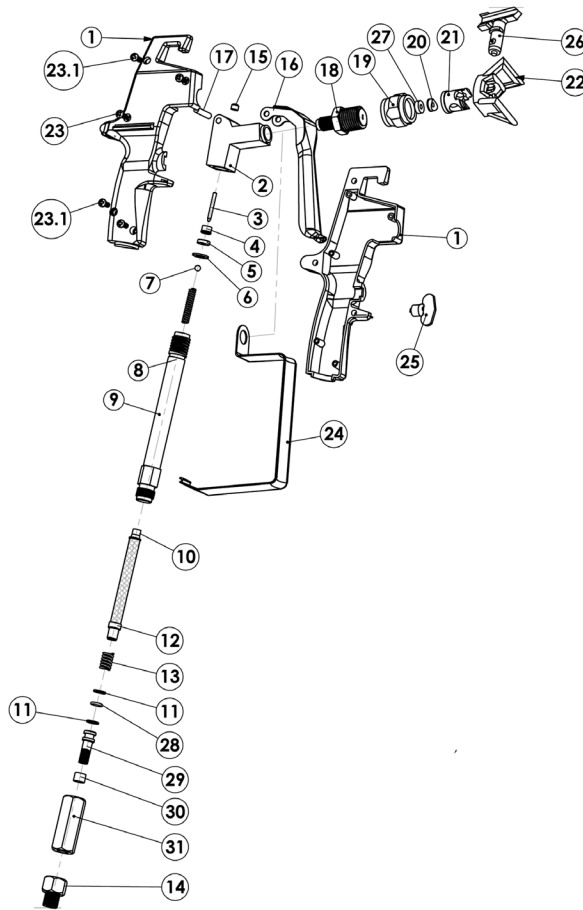
Note: Some parts are listed and shown for illustration purposes only, and are not available individually as replacement parts.

GUN PARTS LIST & DIAGRAM

Part	Description	Qty
1C	Housing	2
2C	Elbow	1
3C	Pin	1
4C	Seal	1
5C	Washer	1
6C	Washer	1
7C	Ball	1
8C	Spring	1
9C	Pipe	1
10C	Filter Housing	1
11C	Ring	2
12C	Bush	1
13C	Spring	1
14C	Tip	1
15C	Cap	1
16C	Trigger	1

GUN PARTS LIST & DIAGRAM

Part	Description	Qty
17C	Pin	1
18C	Fluid Housing	1
19C	Retaining Nut	1
20C	Tip Seat	1
21C	Tip Connector	1
22C	Tip Guard	1
23C	Screw M4x22	2
23.1C	Screw M4x15	3
24C	Handle	1
25C	Trigger Lock	1
26C	Tip Assembly	1
27C	Tip Gasket	1
28C	Ring	1
29C	Plunger	1
30C	Bush	1
31C	Socket	1



Note: When order parts from this list use the suffix "C"

Note: Some parts are listed and shown for illustration purposes only, and are not available individually as replacement parts.

LIMITED 90 DAY WARRANTY

Harbor Freight Tools Co. makes every effort to assure that its products meet high quality and durability standards, and warrants to the original purchaser that this product is free from defects in materials and workmanship for the period of 90 days from the date of purchase. This warranty does not apply to damage due directly or indirectly, to misuse, abuse, negligence or accidents, repairs or alterations outside our facilities, criminal activity, improper installation, normal wear and tear, or to lack of maintenance. We shall in no event be liable for death, injuries to persons or property, or for incidental, contingent, special or consequential damages arising from the use of our product. Some states do not allow the exclusion or limitation of incidental or consequential damages, so the above limitation of exclusion may not apply to you. THIS WARRANTY IS EXPRESSLY IN LIEU OF ALL OTHER WARRANTIES, EXPRESS OR IMPLIED, INCLUDING THE WARRANTIES OF MERCHANTABILITY AND FITNESS.

To take advantage of this warranty, the product or part must be returned to us with transportation charges prepaid. Proof of purchase date and an explanation of the complaint must accompany the merchandise. If our inspection verifies the defect, we will either repair or replace the product at our election or we may elect to refund the purchase price if we cannot readily and quickly provide you with a replacement. We will return repaired products at our expense, but if we determine there is no defect, or that the defect resulted from causes not within the scope of our warranty, then you must bear the cost of returning the product.

This warranty gives you specific legal rights and you may also have other rights which vary from state to state.

3491 Mission Oaks Blvd. • PO Box 6009 • Camarillo, CA 93011 • (800) 444-3353

Record Product's Serial Number Here: _____

Note: If product has no serial number, record month and year of purchase instead.

Free Manuals Download Website

<http://myh66.com>

<http://usermanuals.us>

<http://www.somanuals.com>

<http://www.4manuals.cc>

<http://www.manual-lib.com>

<http://www.404manual.com>

<http://www.luxmanual.com>

<http://aubethermostatmanual.com>

Golf course search by state

<http://golfingnear.com>

Email search by domain

<http://emailbydomain.com>

Auto manuals search

<http://auto.somanuals.com>

TV manuals search

<http://tv.somanuals.com>