

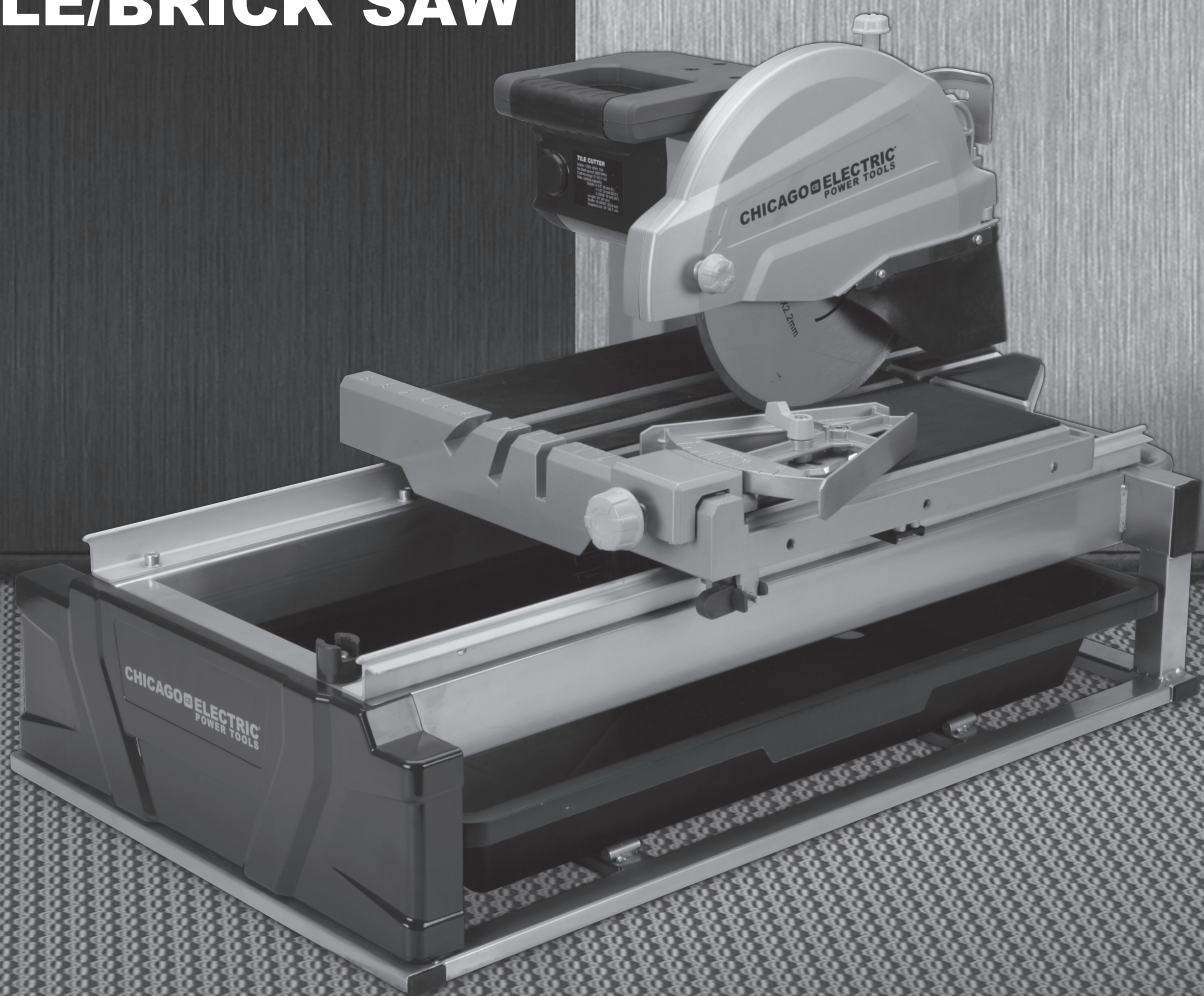
Owner's Manual & Safety Instructions

Save This Manual Keep this manual for the safety warnings and precautions, assembly, operating, inspection, maintenance and cleaning procedures. Write the product's serial number in the back of the manual near the assembly diagram (or month and year of purchase if product has no number). Keep this manual and the receipt in a safe and dry place for future reference.

PROFESSIONAL SERIES
CHICAGO ELECTRIC
POWER TOOLS

ITEM 69275

2.5 HORSEPOWER 10" INDUSTRIAL TILE/BRICK SAW



Blade and stand sold separately.
Visit our website at: <http://www.harborfreight.com>
Email our technical support at: tech@harborfreight.com

When unpacking, make sure that the product is intact and undamaged. If any parts are missing or broken, please call 1-800-444-3353 as soon as possible.

Copyright© 2011 by Harbor Freight Tools®. All rights reserved.
No portion of this manual or any artwork contained herein may be reproduced in any shape or form without the express written consent of Harbor Freight Tools. Diagrams within this manual may not be drawn proportionally. Due to continuing improvements, actual product may differ slightly from the product described herein. Tools required for assembly and service may not be included.

⚠ WARNING






**Read this material before using this product.
Failure to do so can result in serious injury.
SAVE THIS MANUAL.**

Table of Contents

Safety	2	Maintenance	15
Specifications	8	Parts Lists and Diagram	17
Setup	9	Warranty	20
Operation.....	12		

PROFESSIONAL SERIES CHICAGO ELECTRIC® POWER TOOLS

WARNING SYMBOLS AND DEFINITIONS

	This is the safety alert symbol. It is used to alert you to potential personal injury hazards. Obey all safety messages that follow this symbol to avoid possible injury or death.
	Indicates a hazardous situation which, if not avoided, will result in death or serious injury.
	Indicates a hazardous situation which, if not avoided, could result in death or serious injury.
	Indicates a hazardous situation which, if not avoided, could result in minor or moderate injury.
	Addresses practices not related to personal injury.

IMPORTANT SAFETY INFORMATION

General Tool Safety Warnings

⚠ WARNING

Read all safety warnings and instructions.

Failure to follow the warnings and instructions may result in electric shock, fire and/or serious injury.

Save all warnings and instructions for future reference.

- KEEP GUARDS IN PLACE and in working order.
- REMOVE ADJUSTING KEYS AND WRENCHES. Form habit of checking to see that keys and adjusting wrenches are removed from tool before turning it on.
- KEEP WORK AREA CLEAN. Cluttered areas and benches invite accidents.
- DON'T USE IN DANGEROUS ENVIRONMENT. Don't use power tools in damp or wet locations, or expose them to rain. Keep work area well lit.
- KEEP CHILDREN AWAY. All visitors should be kept safe distance from work area.
- MAKE WORKSHOP KID PROOF with padlocks, master switches, or by removing starter keys.
- DON'T FORCE TOOL. It will do the job better and safer at the rate for which it was designed.
- USE RIGHT TOOL. Don't force tool or attachment to do a job for which it was not designed.
- USE PROPER EXTENSION CORD. Make sure your extension cord is in good condition. When using an extension cord, be sure to use one heavy enough to carry the current your product will draw. An undersized cord will cause a drop in line voltage resulting in loss of power and overheating. Table A shows the correct size to use depending on cord length and nameplate ampere rating. If in doubt, use the next heavier gauge. The smaller the gauge number, the heavier the cord.
- WEAR PROPER APPAREL. Do not wear loose clothing, gloves, neckties, rings, bracelets, or other jewelry which may get caught in moving parts. Nonslip footwear is recommended. Wear protective hair covering to contain long hair.
- ALWAYS USE SAFETY GLASSES. Also use face or dust mask if cutting operation is dusty. Everyday eyeglasses only have impact resistant lenses, they are NOT safety glasses.
- SECURE WORK. Use clamps or a vise to hold work when practical. It's safer than using your hand and it frees both hands to operate tool.
- DON'T OVERREACH. Keep proper footing and balance at all times.
- MAINTAIN TOOLS WITH CARE. Keep tools sharp and clean for best and safest performance. Follow instructions for lubricating and changing accessories.
- DISCONNECT TOOLS before servicing; when changing accessories, such as blades, bits, cutters, and the like.
- REDUCE THE RISK OF UNINTENTIONAL STARTING. Make sure switch is in off position before plugging in.
- USE RECOMMENDED ACCESSORIES. Consult the owner's manual for recommended accessories. The use of improper accessories may cause risk of injury to persons.
- NEVER STAND ON TOOL. Serious injury could occur if the tool is tipped or if the cutting tool is unintentionally contacted.
- CHECK DAMAGED PARTS. Before further use of the tool, a guard or other part that is damaged should be carefully checked to determine that it will operate properly and perform its intended function – check for alignment of moving parts, binding of moving parts, breakage of parts, mounting, and any other conditions that may affect its operation. A guard or other part that is damaged should be properly repaired or replaced.
- DIRECTION OF FEED. Feed work into a blade or cutter against the direction of rotation of the blade or cutter only.
- NEVER LEAVE TOOL RUNNING UNATTENDED. TURN POWER OFF. Don't leave tool until it comes to a complete stop.

Table A: RECOMMENDED MINIMUM WIRE GAUGE FOR EXTENSION CORDS (120 VOLT)

NAMEPLATE AMPERES (at full load)	EXTENSION CORD LENGTH			
	25'	50'	100'	150'
0 – 6	18	16	16	14
6.1 – 10	18	16	14	12
10.1 – 12	16	16	14	12
12.1 – 16	14	12	Do not use.	

Grounding Instructions

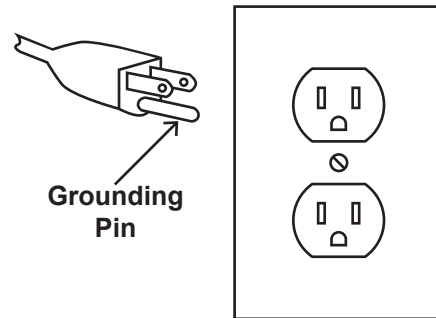


⚠️ WARNING

TO PREVENT ELECTRIC SHOCK AND DEATH FROM INCORRECT GROUNDING WIRE CONNECTION READ AND FOLLOW THESE INSTRUCTIONS:

110-120 V~ Grounded Tools: Tools with Three Prong Plugs

1. In the event of a malfunction or breakdown, grounding provides a path of least resistance for electric current to reduce the risk of electric shock. This tool is equipped with an electric cord having an equipment-grounding conductor and a grounding plug. The plug must be plugged into a matching outlet that is properly installed and grounded in accordance with all local codes and ordinances.
2. Do not modify the plug provided – if it will not fit the outlet, have the proper outlet installed by a qualified electrician.
3. Improper connection of the equipment-grounding conductor can result in a risk of electric shock. The conductor with insulation having an outer surface that is green with or without yellow stripes is the equipment-grounding conductor. If repair or replacement of the electric cord or plug is necessary, do not connect the equipment-grounding conductor to a live terminal.
4. Check with a qualified electrician or service personnel if the grounding instructions are not completely understood, or if in doubt as to whether the tool is properly grounded.
5. Use only 3-wire extension cords that have 3-prong grounding plugs and 3-pole receptacles that accept the tool's plug.
6. Repair or replace damaged or worn cord immediately.
7. This tool is intended for use on a circuit that has an outlet that looks like the one illustrated above in **Figure A: 125 V~ 3-Prong Plug and Outlet**. The tool has a grounding plug that looks like the plug illustrated above in **Figure A: 125 V~ 3-Prong Plug and Outlet**.
8. The outlet must be properly installed and grounded in accordance with all codes and ordinances.
9. Do not use an adapter to connect this tool to a different outlet.



**Figure A: 125 V~ 3-Prong Plug and Outlet
(for up to 125 V~ and up to 15 A)**

Tile Saw Safety Warnings

For Your Own Safety Read Instruction Manual Before Operating Saw

1. Wear eye protection.
2. Use saw-blade guard and spreader for every operation for which it can be used, including all through sawing.
3. Keep hands out of the line of saw blade.
4. Use an appropriate push-stick when required.
5. Know how to reduce risk of kickback.
6. Do not perform any operation freehand.
7. Never reach around or over saw blade.
8. Make sure the workpiece is supported at all times while sawing. Use a roller stand (not provided) with larger workpieces if necessary.
9. To properly understand all safety warnings, be familiar with the following safety terms and equipment:
 - a. Featherboard – A block with “fingers” that hold the workpiece against the fence while sawing.
 - b. Through-sawing – A cut made from one side of the workpiece to the opposite side, without stopping.
 - c. Push-stick – A narrow strip of wood or other soft material with a notch cut into one end and which is used to push short pieces of material through saws. It provides a safe distance between the hands and the cutting tool. Must be narrower than the cut width to prevent contact with the blade.
 - d. Freehand – Feeding a workpiece through the saw without using a fence or guided support to guide it. **NOT A SAFE METHOD.**
 - e. Kerf – The gap made by the saw in the workpiece.
 - f. Kickback – A sudden reaction to a pinched, bound, or misaligned blade, causing an uncontrolled workpiece to lift up and out of the saw toward the operator.
 - g. Spreader – A metal plate that follows the saw blade to keep the kerf (gap) from closing on the saw blade. Spreader, except riving knives, must be aligned to the blade after blade adjustment to prevent binding.
10. As noted previously, **Kickback** is a sudden reaction to a pinched, bound, or misaligned blade, causing an uncontrolled workpiece to lift up and out of the saw toward the operator. Kickback is usually a result of tool misuse and can be limited or avoided by following the precautions below:
 - Fence must be completely parallel to the saw blade.
 - Workpiece must be free from flaws and from foreign objects.
 - Support large workpieces along their entire length. Large workpieces tend to bend, grabbing the blade.
 - Maintain control of the workpiece. Do not allow the workpiece to rest against the moving blade without holding onto it.
 - If the blade binds or a cut is interrupted, turn off the power switch and hold the workpiece still until the blade stops. Correct the cause of blade binding before proceeding.
11. Check guards for proper operation with saw disconnected from power before each use. Do not disable any guard. Do not operate saw if any movable guard does not move freely and close instantly. Make sure any movable guard does not touch the blade in all angles, depths of cut, and positions.
12. Keep the guard in place while through-sawing. Verify that the spreader lines up with the blade to prevent binding.

Tile Saw Safety Warnings (cont.)

POSITION OF TILE SAW

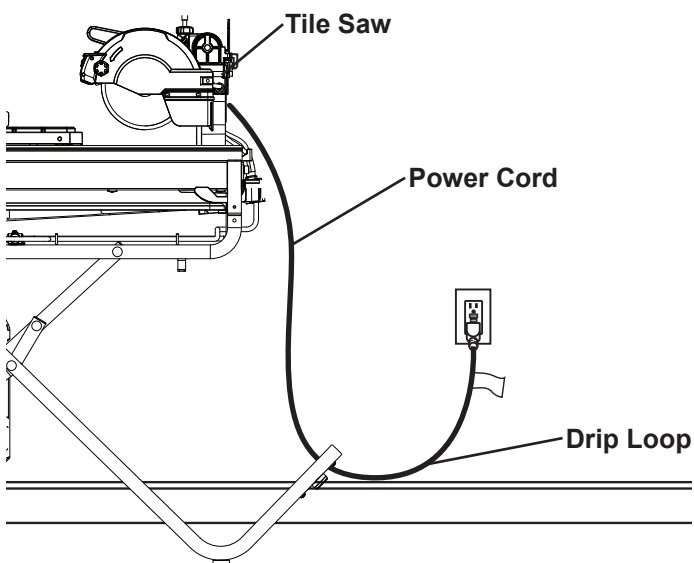


Figure B: Drip Loop

13. To avoid the possibility of the tool plug or receptacle getting wet, position tile saw to one side of a wall mounted receptacle to prevent water from dripping onto the receptacle or plug. The user should arrange a "drip loop" in the cord connecting the saw to a receptacle. The "drip loop" is that part of the cord below the level of the receptacle, or the connector if an extension cord is used, to prevent water traveling along the cord and coming in contact with the receptacle.

14. If the plug or receptacle does get wet, DON'T unplug the cord. Disconnect the fuse or circuit breaker that supplies power to the tool. Then unplug and examine for presence of water in the receptacle.

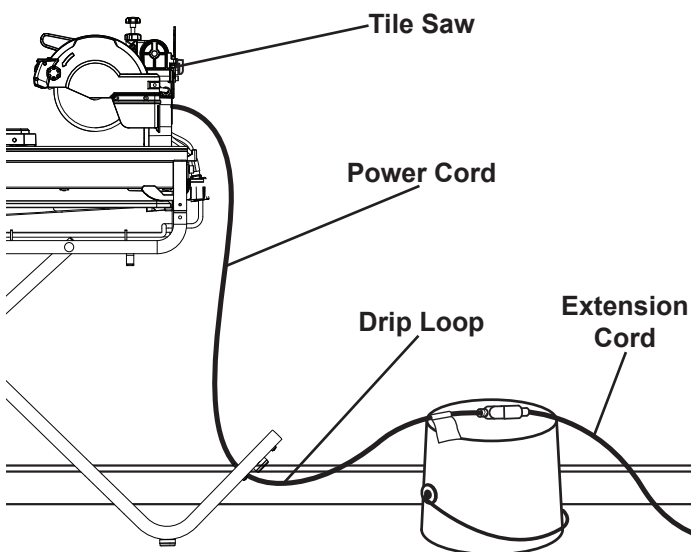


Figure C: Extension Cord Drip Loop

15. If an extension cord is used, the drip loop must be before the cord connection and the extension cord connection must be placed on an elevated surface.

EXTENSION CORDS

16. Use only extension cords that are intended for outdoor use. These extension cords are identified by a marking "Acceptable for use with outdoor tools; store indoors while not in use." Use only extension cords having an electrical rating not less than the rating of the product. Do not use damaged extension cords. Examine extension cord before using and replace if damaged. Do not abuse extension cords and do not yank on any cord to disconnect. Keep cord away from heat and sharp edges. Always disconnect the extension cord from the receptacle before disconnecting the product from the extension cord.
17. WARNING – To reduce the risk of electrocution, keep all connections dry and off the ground. Do not touch plug with wet hands.
18. Ground Fault Circuit Interrupter (GFCI) protection should be provided on the circuit(s) or outlet(s) to be used for the tile saw. Receptacles are available having built-in GFCI protection and may be used for this measure of safety.

SAFETY

SETUP

OPERATION

MAINTENANCE

Tile Saw Safety Warnings (cont.)

ADDITIONAL TILE SAW SAFETY WARNINGS

19. **DO NOT OPERATE WITH ANY GUARD DISABLED, DAMAGED, OR REMOVED. Moving guards must move freely and close instantly.**
20. The use of accessories or attachments not recommended by the manufacturer may result in a risk of injury to persons.
21. When servicing use only identical replacement parts.
22. Do not depress the spindle lock when starting or during operation.
23. Only use safety equipment that has been approved by an appropriate standards agency. Unapproved safety equipment may not provide adequate protection. Eye protection must be ANSI-approved and breathing protection must be NIOSH-approved for the specific hazards in the work area.
24. Stay alert, watch what you are doing and use common sense when operating a power tool. Do not use a power tool while you are tired or under the influence of drugs, alcohol or medication. A moment of inattention while operating power tools may result in serious personal injury.
25. Industrial applications must follow OSHA guidelines.
26. Maintain labels and nameplates on the tool. These carry important safety information. If unreadable or missing, contact Harbor Freight Tools for a replacement.
27. Avoid unintentional starting. Prepare to begin work before turning on the tool.
28. People with pacemakers should consult their physician(s) before use. Electromagnetic fields in close proximity to heart pacemaker could cause pacemaker interference or pacemaker failure.
29. **WARNING:** Some dust created by power sanding, sawing, grinding, drilling, and other construction activities, contains chemicals known [to the State of California] to cause cancer, birth defects or other reproductive harm. Some examples of these chemicals are:
 - Lead from lead-based paints
 - Crystalline silica from bricks and cement or other masonry products
 - Arsenic and chromium from chemically treated lumberYour risk from these exposures varies, depending on how often you do this type of work. To reduce your exposure to these chemicals: work in a well ventilated area, and work with approved safety equipment, such as those dust masks that are specially designed to filter out microscopic particles. (California Health & Safety Code § 25249.5, *et seq.*)
30. **WARNING:** Handling the cord on this product will expose you to lead, a chemical known to the State of California to cause cancer, and birth defects or other reproductive harm. Wash hands after handling. (California Health & Safety Code § 25249.5, *et seq.*)
31. The warnings, precautions, and instructions discussed in this instruction manual cannot cover all possible conditions and situations that may occur. It must be understood by the operator that common sense and caution are factors which cannot be built into this product, but must be supplied by the operator.

Vibration Safety

This tool vibrates during use. Repeated or long-term exposure to vibration may cause temporary or permanent physical injury, particularly to the hands, arms and shoulders. To reduce the risk of vibration-related injury:

1. Anyone using vibrating tools regularly or for an extended period should first be examined by a doctor and then have regular medical check-ups to ensure medical problems are not being caused or worsened from use. Pregnant women or people who have impaired blood circulation to the hand, past hand injuries, nervous system disorders, diabetes, or Raynaud's Disease should not use this tool. If you feel any medical or physical symptoms related to vibration (such as tingling, numbness, and white or blue fingers), seek medical advice as soon as possible.
2. Do not smoke during use. Nicotine reduces the blood supply to the hands and fingers, increasing the risk of vibration-related injury.
3. Use tools with the lowest vibration when there is a choice between different processes.
4. Include vibration-free periods each day of work.
5. Grip tool as lightly as possible (while still keeping safe control of it). Let the tool do the work.
6. To reduce vibration, maintain the tool as explained in this manual. If any abnormal vibration occurs, stop use immediately.



SAVE THESE INSTRUCTIONS.

Specifications

Electrical Rating	120V~ / 15A
Motor No Load Speed	3,800 RPM
Max. Blade Diameter	10"
Arbor Diameter	5/8"
Max. Cutting Depth	3-1/2" @ 0° 1-1/2" @ 45°
Max. Cutting Length	24"
Max Diagonal Tile Size	18"
Bevel Cutting Range	0°, 22.5°, 45°



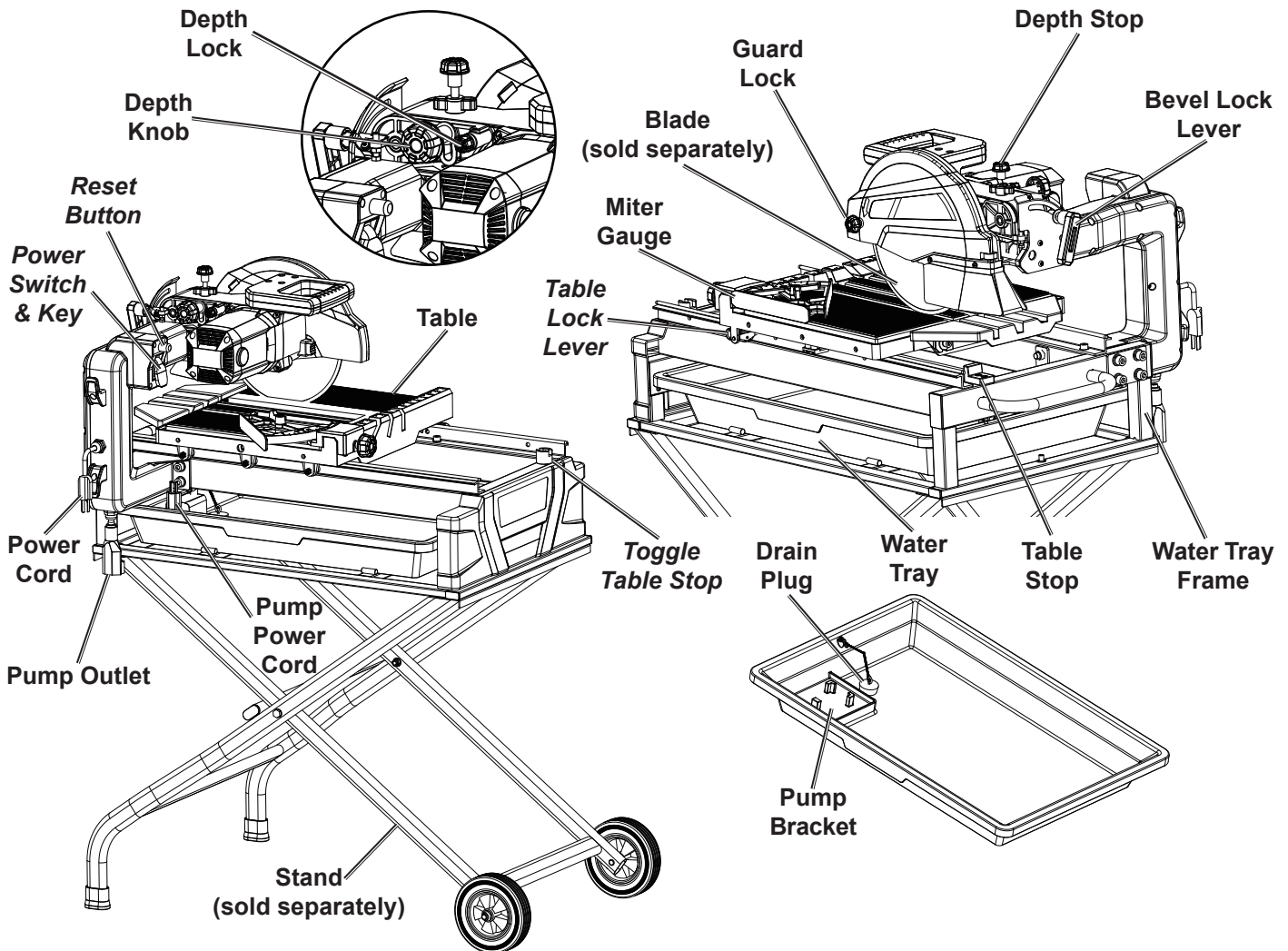
**PROFESSIONAL SERIES
CHICAGO ELECTRIC®
POWER TOOLS**

Setup - Before Use:



Read the **ENTIRE IMPORTANT SAFETY INFORMATION** section at the beginning of this manual including all text under subheadings therein before set up or use of this product.

Functions



Power Switch: The Power Switch includes a Key for safety. The Tile Saw switch cannot be turned on without the key. Remove the Key after use.

Reset Button: Directly above the Power Switch is the Reset Button. If the Tile Saw overheats it will shut down automatically. Allow it to cool down, make sure there are no loose connections or damaged cords, and then press the Reset Button to restart the Saw. Do not force workpieces into the saw and make sure the blade is properly wetted to reduce overheating.

Toggle Table Stop: This allows the Table to be removed if needed. Lift the Stop and turn it to lock/unlock. If the slot is aligned with the Table, the Table can be removed. If the slot is turned sideways, the Table is locked into the saw.

Table Lock Lever: To lock the Table in place, line up this Lever's pin with the hole in the rail, and press the Lever towards the rail. Pull out on the Lever to unlock the Table.

ASSEMBLY

⚠ WARNING

TO PREVENT SERIOUS INJURY FROM ACCIDENTAL OPERATION:

Turn the Power Switch of the tool to its "OFF" position, remove the key, and unplug the tool from its electrical outlet before assembling or making any adjustments to the tool.

Note: For additional information regarding the parts listed in the following pages, refer to the Assembly Diagram near the end of this manual.

Installing the Water Tray Frame to the Leg Stand

1. Lock the Toggle Table Stop by pulling up on it and turning it until the slot in the center of the Stop is horizontal (left to right).
2. Pull the Table to the front of the Frame. From under the right side of the Table, align the hole in the rail with the pin in the Table Lock Lever. Push the pin into the rail, locking the Table.
3. Align the holes on the Water Tray Frame with the holes on the Stand (sold separately).
4. Insert Short Bolts through Washers and into holes. Tighten securely.

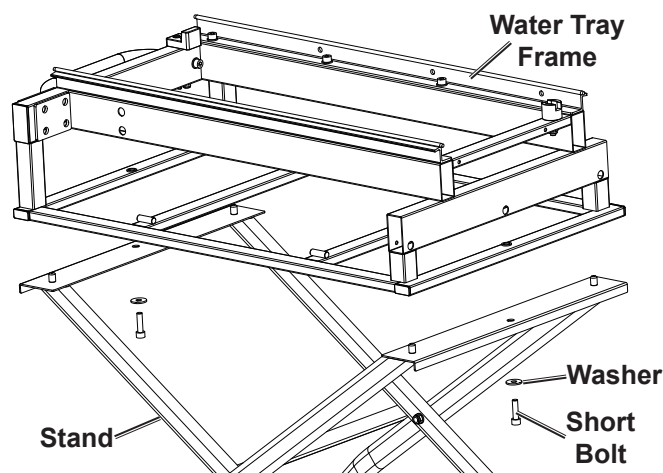


Figure D: Water Tray Frame Installation

Installing Motor Head and Water Tray Frame

1. Install Handle to end of Water Tray Frame using Bolts (119) and Washers.
2. Align the holes in the Motor Head assembly with the holes on the side of the Water Tray Frame.
3. Insert two Short Bolts through Washers, and then into holes on side of Motor Head. Loosely secure using Lock Nuts.
4. Insert four Long Bolts through Lock Washers and Washers. Insert into holes on end of Water Tray Frame, as shown. Finger tighten.
5. Tighten all Bolts securely.

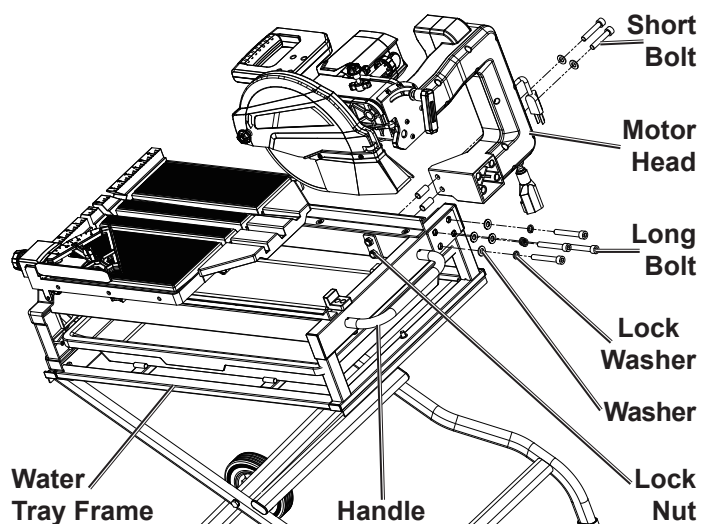
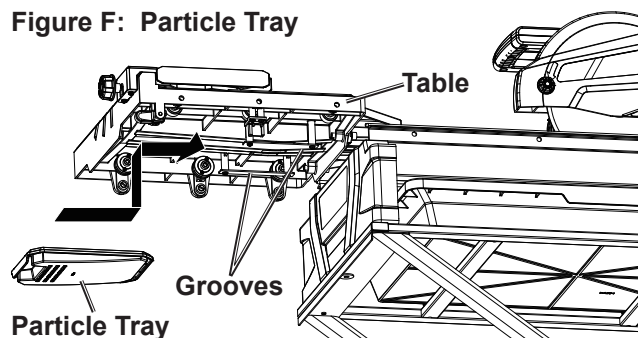


Figure E: Motor Head Installation

Installing the Particle Tray

1. Unlock the Table Lock Lever. Lift and turn the Toggle Table Stop so that its slot aligns with the Table.
2. Pull the Table to the front of the Water Tray Frame.
3. Slide the Particle Tray into the Grooves on the underside of the Table.
4. Return the Table to its working position, and lift then turn the Toggle Table Stop so that its slot aligns sideways.

Figure F: Particle Tray



Water Tray and Pump Setup

1. From the right side of the saw, place the Water Tray (drain plug end to the left) on the lip at the bottom of the Water Tray Frame.
2. Slide the Water Tray in under the Table until it rests in place within the tabs.
3. Adjust the flow control on the Pump to the desired level.

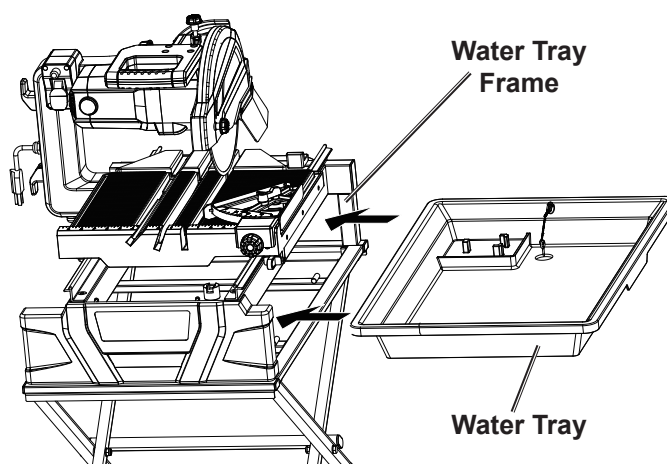


Figure G: Water Tray Installation

4. Place the Pump into the Pump Bracket in the Pump Basin. It should fit securely into the Bracket.
5. Connect the clear water Hose from under the arm of the Motor Head to the Hose Connector on the Pump.
6. **Make sure your hands are dry and the Tile Saw is unplugged**, then attach the Pump Power Cord to the Pump Outlet on the Motor Head.
7. Fill the Water Tray with clean water up to the Fill Rim (see Figure H) before every use.

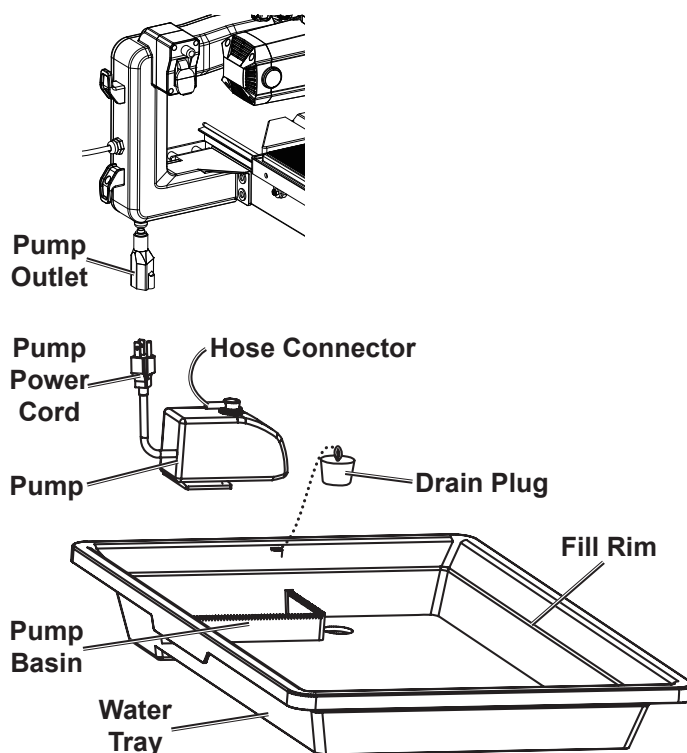


Figure H: Pump setup

Operating Instructions



Read the **ENTIRE IMPORTANT SAFETY INFORMATION** section at the beginning of this manual including all text under subheadings therein before set up or use of this product.

TOOL SET UP

⚠ WARNING

TO PREVENT SERIOUS INJURY FROM ACCIDENTAL OPERATION:

Turn the Power Switch of the tool to its "OFF" position, remove the key, and unplug the tool from its electrical outlet before assembling or making any adjustments to the tool.

TO PREVENT SERIOUS INJURY:

DO NOT OPERATE WITH ANY GUARD DISABLED, DAMAGED, OR REMOVED.

Installing Blade

1. Unplug the saw.
2. Turn the Guard Knob counterclockwise.
3. Open the Guard to expose the Spindle.
4. Loosen the Spindle Nut counterclockwise and remove the old Blade, if installed.
5. Place the Inner Flange onto the Spindle. Install with the cupped side of the Inner Flange facing the tile saw housing.
6. Wipe a drop of oil onto the Inner Flange where it will contact the Blade.

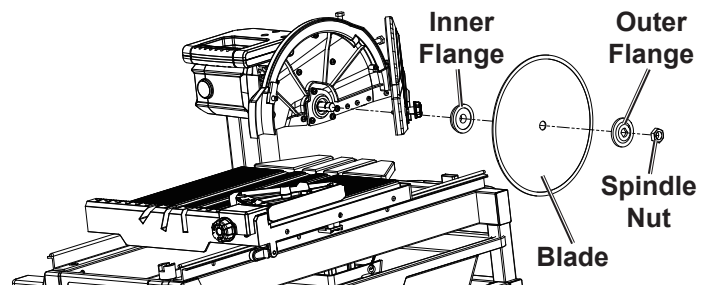


Figure I: Blade Assembly

WARNING! TO PREVENT SERIOUS INJURY:
Only use a smooth rim, wet cutting, 10" Blade rated to at least 3,800 RPM on this tool.
Do not use a Blade that is too thick to allow Outer Flange to engage with the flats on the Spindle.
Do not use a Blade that has openings, grooves, or teeth.

7. Slide the Blade (sold separately) onto Spindle.
8. Place Outer Flange onto the Spindle. The flats on the Outer Washer align with the flats on the Spindle. Install with the cupped side of the Outer Flange facing the blade.
9. Place Spindle Nut on Spindle.
10. Press and hold the Spindle Lock in.
11. Wrench-tighten Spindle Nut securely. Release the Spindle Lock.
12. Close the Guard, and use the Guard Knob to secure it.

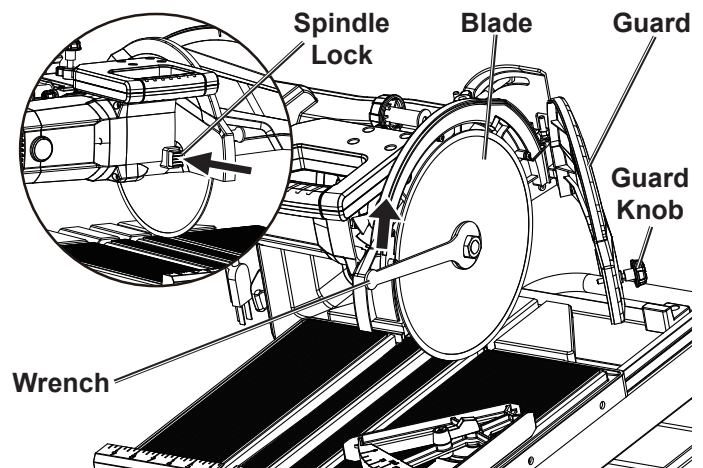


Figure J: Securing Blade

Miter Adjustment

Note: The Miter Gauge can be used from either the left or the right side of the Blade.

1. Place the slot on the underside of the Miter Gauge on the Table Fence.
2. Lock the Miter Gauge securely to the table by turning the Gauge Lock Knob clockwise.
3. To adjust angles:
 - a. Loosen the Miter Lock Lever.
 - b. Set to the desired angle by moving the Guide left or right.
 - c. Tighten the Miter Lock Lever securely before turning on the saw.

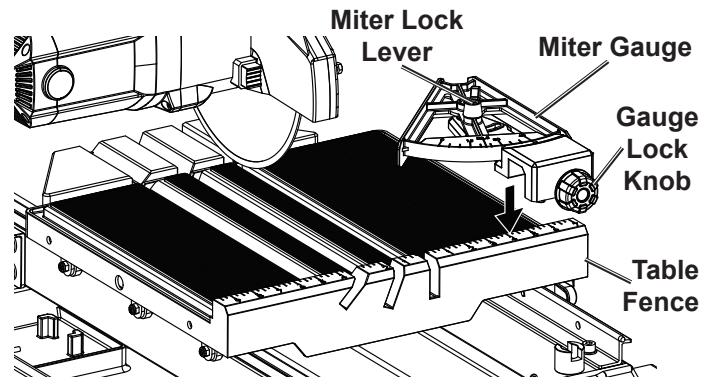


Figure K: Miter Gauge

Bevel Adjustment

1. **Slide the Table clear of the Blade to prevent blade damage.**
2. Loosen the Bevel Lock Lever.
3. Adjust the Motor Head to the desired angle: **0°, 22.5° or 45°**. **Do not set bevel to any other setting**, the slots in the table are designed **only** for these cuts.
4. Tighten the Bevel Lock Lever.

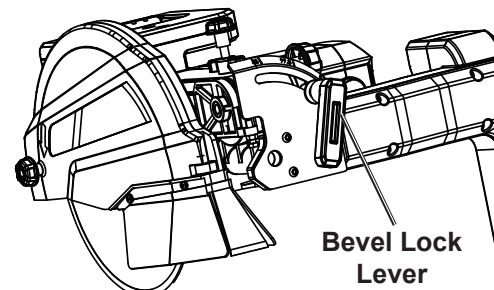


Figure L: Bevel Lock Lever

Depth Adjustment

1. **Depth Lock:** Use the Depth Lock to lock the Motor Head in the down position; press it in while the Motor Head is down to lock, and pull out while holding down the Motor Head to unlock.
2. **Depth Knob:** The Depth Knob can be used to lock the Motor Head at a particular cutting depth; tighten it to lock the Motor Head in place, loosen it to allow adjustment.
3. **Depth Stop:** This controls the maximum cut depth. If the blade cuts too deeply or too shallowly; loosen the Depth Stop Lock, adjust the Depth Stop, and tighten the Depth Stop Lock again.

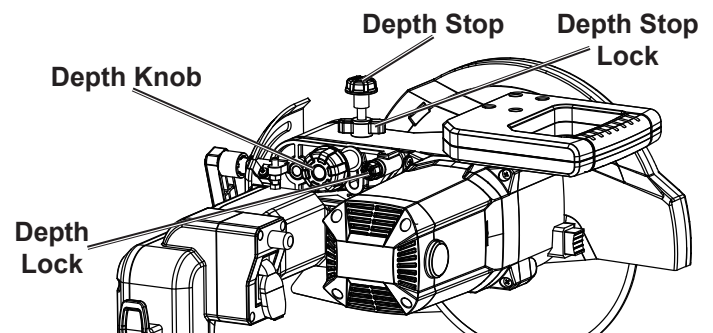


Figure M: Depth Controls

Work Piece and Work Area Set Up

1. Designate a work area that is clean and well-lit. The work area must not allow access by children or pets to prevent distraction and injury.
2. Route the power cord along a safe route to reach the work area without creating a tripping hazard or exposing the power cord to possible damage. The power cord must reach the work area with enough extra length to allow free movement while working. Set up the Power Cord with a drip loop, see Position of Tile Saw on page 6.
3. There must not be objects, such as utility lines, nearby that will present a hazard while working.
4. Keep workpieces pressed firmly against the Table and Fence while cutting.
5. Mark cut lines using waterproof marker or crayon.

Note: This tool is intended for use on man-made masonry and tile products only.

General Operating Instructions

1. Fill the Water Tray with clean water up to the Fill Rim (see Figure H on page 11) before every use.

CAUTION: Water level must be kept above lip of pump basin at all times during operation.

2. Adjust the Miter, Bevel, and Depth settings as needed, see previous page. Lock all settings in place.

3. Place the workpiece on the Table and firmly against the Miter Gauge and Fence.

4. Make sure the workpiece is clear of the Blade, then dry your hands, plug in the Saw, insert the Key and turn the Power Switch to the ON position.

5. Make sure the pump is supplying enough water to the Blade. If needed, dry your hands, unplug the Saw, adjust the Pump's flow control, dry your hands again, and plug the Saw back in.

6. Let the Blade build up to full speed before cutting.

7. Hold the material firmly against the rip guide and feed the material into the Blade.

8. When the cut is made, turn the Saw OFF. Wait for the Blade to come to a complete stop before removing any part of the workpiece.

9. To prevent accidents, turn off the Saw, remove the Key, and unplug the Tile Saw after use. Clean, then store the Saw indoors out of children's reach.

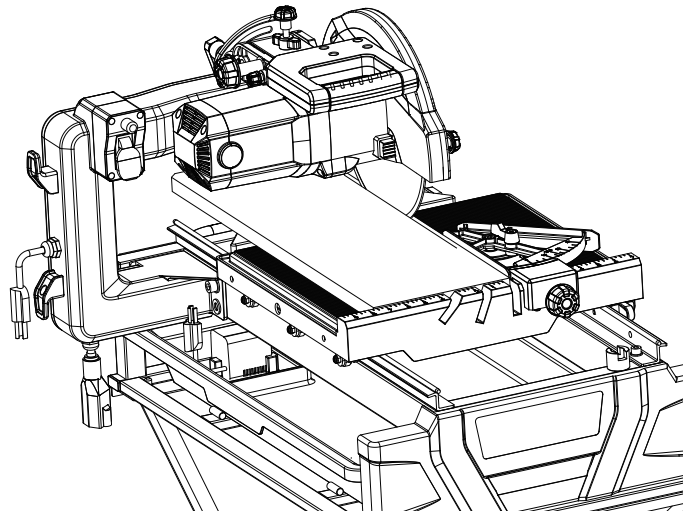


Figure N: Straight Cut

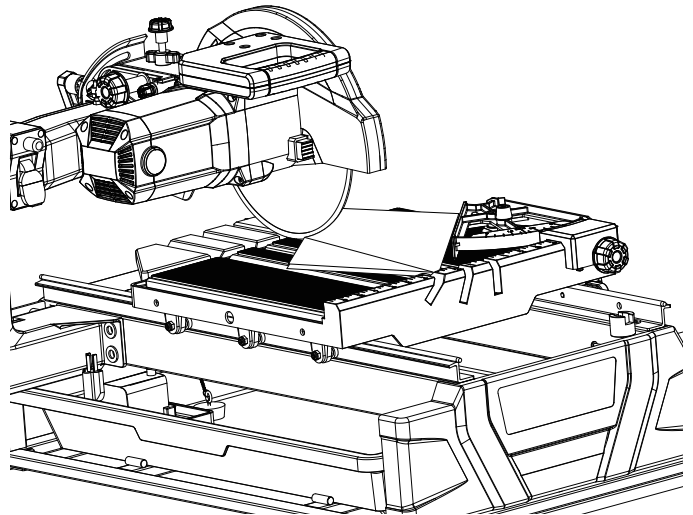


Figure O: Miter Cut

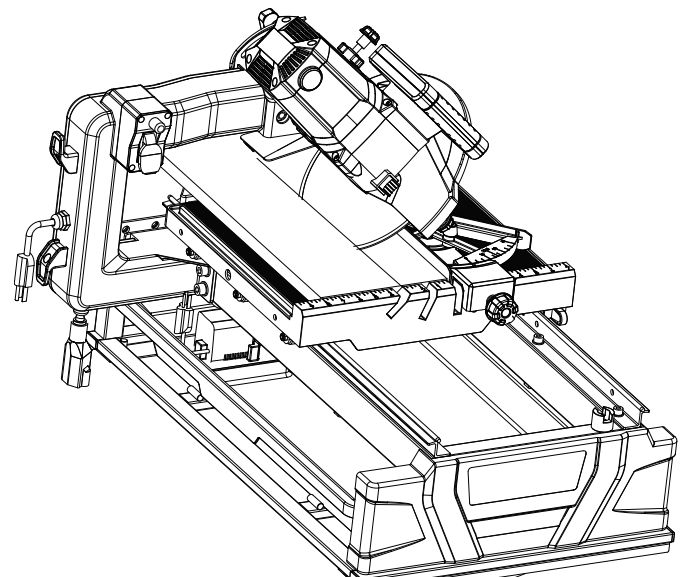


Figure P: Bevel Cut

Maintenance and Servicing



Procedures not specifically explained in this manual must be performed only by a qualified technician.

⚠️ WARNING

TO PREVENT SERIOUS INJURY FROM ACCIDENTAL OPERATION:

Turn the Power Switch of the tool to its “OFF” position, remove the key, and unplug the tool from its electrical outlet before performing any inspection, maintenance, or cleaning procedures.

TO PREVENT SERIOUS INJURY FROM TOOL FAILURE:

Do not use damaged equipment. If abnormal noise or vibration occurs, have the problem corrected before further use.

Cleaning, Maintenance, and Lubrication

1. **BEFORE EACH USE**, inspect the general condition of the tool. Check for loose hardware, misalignment or binding of moving parts, cracked or broken parts, damaged electrical wiring, and any other condition that may affect its safe operation.
2. **AFTER USE**, wipe external surfaces of the tool with clean cloth. Also, clean the following after every use, and as needed during extended use:
 - Rails
 - Particle Tray (see page 11)
 - Water Tray (see page 11, empty out sediment and water)
 - Pump filter and housing (see page 11, can often be rinsed off without opening pump).
3. If Blade is out of alignment, Table does not slide smoothly or other issues interfere with smooth operation, have the saw serviced by a qualified technician before further use.
4. **⚠️ WARNING!** If the supply cord of this power tool is damaged, it must be replaced only by a qualified service technician.

PROFESSIONAL SERIES
CHICAGO ELECTRIC®
POWER TOOLS

Troubleshooting

Problem	Possible Causes	Likely Solutions
Tool will not start.	<ol style="list-style-type: none"> 1. Cord not connected. 2. No power at outlet. 3. Tool's thermal reset breaker tripped. 4. Internal damage or wear. (Carbon brushes or switch, for example.) 	<ol style="list-style-type: none"> 1. Check that cord is plugged in. 2. Check power at outlet. If outlet is unpowered, turn off tool and check circuit breaker. If breaker is tripped, make sure circuit is right capacity for tool and circuit has no other loads. 3. Turn off tool and allow to cool. Press reset button on tool. 4. Have technician service tool.
Tool operates slowly.	Extension cord too long or wire size too small.	Eliminate use of extension cord. If an extension cord is needed, use shorter/heavier gauge cord. See Table A on page 3.
Performance decreases over time.	<ol style="list-style-type: none"> 1. Blade dull or damaged. 2. Carbon brushes worn or damaged. 	<ol style="list-style-type: none"> 1. Keep cutting accessories sharp. Replace as needed. 2. Have qualified technician replace brushes.
Excessive noise or rattling.	Internal damage or wear. (Carbon brushes or bearings, for example.)	Have technician service tool.
Overheating.	<ol style="list-style-type: none"> 1. Forcing machine to work too fast. 2. Blade misaligned. 3. Blade dull or damaged. 4. Blocked motor housing vents. 5. Motor being strained by long or small diameter extension cord. 	<ol style="list-style-type: none"> 1. Allow machine to work at its own rate. 2. Check and correct Blade alignment to fence and table. 3. Keep cutting blades sharp. Replace as needed. 4. Wear ANSI-approved safety goggles and NIOSH-approved dust mask/respirator while blowing dust out of motor using compressed air. 5. Eliminate use of extension cord. If an extension cord is needed, use shorter/heavier gauge cord. See Table A on page 3.



Follow all safety precautions whenever diagnosing or servicing the tool. Disconnect power supply before service.

PLEASE READ THE FOLLOWING CAREFULLY

THE MANUFACTURER AND/OR DISTRIBUTOR HAS PROVIDED THE PARTS LIST AND ASSEMBLY DIAGRAM IN THIS MANUAL AS A REFERENCE TOOL ONLY. NEITHER THE MANUFACTURER OR DISTRIBUTOR MAKES ANY REPRESENTATION OR WARRANTY OF ANY KIND TO THE BUYER THAT HE OR SHE IS QUALIFIED TO MAKE ANY REPAIRS TO THE PRODUCT, OR THAT HE OR SHE IS QUALIFIED TO REPLACE ANY PARTS OF THE PRODUCT. IN FACT, THE MANUFACTURER AND/OR DISTRIBUTOR EXPRESSLY STATES THAT ALL REPAIRS AND PARTS REPLACEMENTS SHOULD BE UNDERTAKEN BY CERTIFIED AND LICENSED TECHNICIANS, AND NOT BY THE BUYER. THE BUYER ASSUMES ALL RISK AND LIABILITY ARISING OUT OF HIS OR HER REPAIRS TO THE ORIGINAL PRODUCT OR REPLACEMENT PARTS THERETO, OR ARISING OUT OF HIS OR HER INSTALLATION OF REPLACEMENT PARTS THERETO.

Record Product's Serial Number Here: _____

Note: If product has no serial number, record month and year of purchase instead.

Note: Some parts are listed and shown for illustration purposes only, and are not available individually as replacement parts.

Main Parts List (parts 1-100)

Part	Description	Size	Qty
1	Cross Head Screw	ST3.5×11	6
2	Press Plate		1
3	Guard Knob		1
4	Big Washer	5	5
5	Right Guard Cover		1
6	E-Clip	4	1
7	Guard Screw		1
8	Nut	M16×1.5	1
9	Outer Flange		1
10	Blade (sold separately)	Ø254×15.9	-
11	Inner Flange		1
12	Outlet		1
13	Cross Head Screw	ST3.5×6.5	3
14	Outlet Connector		1
15	Hose Cover		1
16	Bolt	M5×14	7
17	Left Guard Cover		1
18	Splash Guard		1
19	Big Washer	4	4
20	Cross Head Screw	ST4.2×13	6
21	Lower Handle Cover		1
22	Upper Handle Cover		1
23	Flat Washer	5	13
24	Cross Head Screw	M5×50	4
25	Depth Stop		1
26	Depth Stop Lock		1
27	Spring Washer	5	3
28	Bearing Bracket		1
29	Bearing Screw		7
30	Bearing	6003	1
31	O Type Ring	Ø50×2.65	1
32	C-Clip	20	2
33	Ring		1
34	Output Shaft		1
35	Gear		1
36	Key	A6×10	2
37	Oilless Bushing		1
38	Shaft Lock Pin		1
39	Spring		1
40	Felted Wool Washer		1
41	Gear Box		1
42	Bearing	6202	1
43	Bolt	M5×70	2
44	Stator		1
45	Bearing	6001	1
46	Pad		1
47	Strain Relief		1
48	Motor Inside Cord		1
49	Brush Cover		2
50	Carbon Brush		2

Part	Description	Size	Qty
51	Brush Holder		2
52	Motor Housing		1
53	Set Screw	M5×8	2
54	Hex Bolt	M5×20	4
55	Rear Cover		1
56	Cross Head Screw	ST4.2×9.5	4
57	Bevel Angle Plate		1
58	Bolt	M6×12	4
59	Washer	8	4
60	Bevel Lock Lever		1
61	Cross Head Screw	M4×14	10
62	Flat Washer	4	23
63	Arm Cover		1
64	Cross Head Screw	M4×10	7
65	Spring Washer	4	5
66	Ground Terminal	4	2
67	Star Washer	4	2
68	Cord Clip		2
69	Bolt	M5×12	2
70	Cord Strain Relief	M20	1
71	Power Cord		1
72	Cord Clamp		1
73	Bolt	M10×52	2
74	Flat Washer	10	6
75	Cord Strain Relief	M16	1
76	Cord Protection Tube		1
77	Ext. Cord		1
78	Water Hose	Ø6	1
79	Cord Protection Ring		3
80	Arm		1
81	Locknut	M10	2
82	Cross Head Screw	M4×35	4
83	Protection Sleeve	6.3	4
84	Pin	6.3	4
85	Power Switch & Key	CB-8/B	1
86	Switch Bracket		1
87	Overload Switch	SCP-15A	1
88	Set Screw	M5×15	2
89	Shaft		2
90	Cord Clamp		1
91	Cross Head Screw	M4×12	8
92	Terminal Box		1
93	Terminal Pole	PA12	1
94	Cross Head Screw	ST2.9×18	1
95	Depth Knob		1
96	Set Screw	M5×8	2
97	Spring Insert		2
98	Torsion Spring		1
99	Angle Bracket		1
100	Nut	M6	3

Main Parts List (continued, parts 101+)

Part	Description	Size	Qty
101	Bolt	M6×20	2
102	Angle Pointer		1
103	O Type Ring	Ø6.7×1.8	1
104	Depth Lock Pin		1
105	Depth Lock		1
106	Bolt	M6×75	2
107	Front Limited Block		1
108	Locknut	M6	5
109	Bolt	M10×75	4
110	Spring Washer	10	4
111	Handle Asm.		1
112	Left Rail		1
113	Bolt Sleeve, B		4
114	Insert A		2
115	Insert B		2
116	Frame		1
117	Flat Washer	8	10
118	Cross Head Screw	ST4.2×35	5
119	Bolt	M8×40	2
120	Front Panel		1
121	Locknut	M8	7
122	Back Limited Block		1
123	Press Spring, A		1
124	Limited Bolt		1
125	Right Rail		1
126	Bolt	M8×65	8
127	Rubber Pad A		1
128	Rubber Pad B		2
129	Rubber Pad C		1
130	Rubber Pad I		1
131	Rubber Pad II		2
132	Rubber Pad III		1
133	Spring Washer	8	2
134	Bolt	M8×30	2
135	Side Working Table		1
136	Bearing Screw, A		3
137	C-clip	22	6

Part	Description	Size	Qty
138	Bearing	608-RS	9
139	Wheel A		3
140	Bearing Washer, A		2
141	Bolt Sleeve A		1
142	Eccentric Screw		3
143	Working Table		1
144	Wheel, B		3
145	Bearing Screw, C		1
146	Eccentric Screw, B		2
147	Bearing Washer, B		3
148	Pin Handle		1
149	Pin		1
150	Ball	Ø4	1
151	Press Spring, B		1
152	Particle Tray		1
153	Set Screw (Glued)	M6×8	1
154	Support Plate		1
155	Plate		1
156	Cross Head Bolt	M6×10	1
157	Miter Lock Lever		1
158	Miter Lock Screw		1
159	Miter Gauge Screw		1
160	Miter Gauge		1
161	Ball	Ø8	1
162	Press Spring, C		1
163	Gauge Lock Knob		1
164	Angle Plate		1
165	Clamp Plate		1
166	Chain Connector		1
167	Ring		2
168	Chain Asm.		1
169	Ring		1
170	Plug		1
171	Hose	Ø8	1
172	Pump		1
173	Water Tray		1

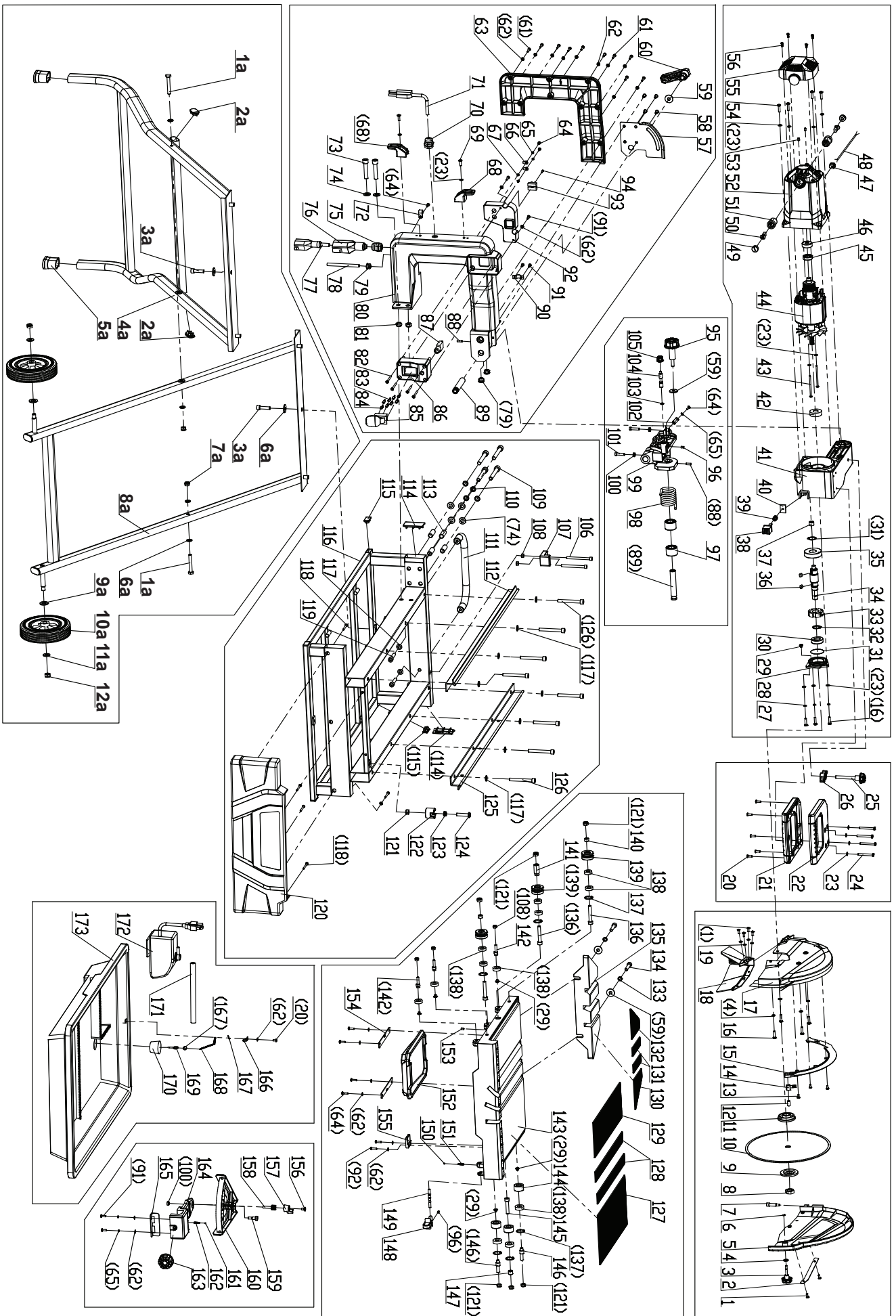
Stand Parts List

Note: Stand sold separately.

Part	Description	Size	Qty
1a	Hex Bolt	M8×55	2
2a	Insert C		2
3a	Bolt	M8×20	2
4a	Front Support Leg Asm.		1
5a	Foot		2
6a	Flat Washer	8	4

Part	Description	Size	Qty
7a	Locknut	M8	2
8a	Rear Support Leg Asm.		1
9a	Flat Washer	12	2
10a	Wheel		2
11a	Flat Washer	10	2
12a	Locknut	M10	2

Assembly Diagram



YATEAS

PUSETS

OPERATIO

ENANENINIAW

Limited 90 Day Warranty

Harbor Freight Tools Co. makes every effort to assure that its products meet high quality and durability standards, and warrants to the original purchaser that this product is free from defects in materials and workmanship for the period of 90 days from the date of purchase. This warranty does not apply to damage due directly or indirectly, to misuse, abuse, negligence or accidents, repairs or alterations outside our facilities, criminal activity, improper installation, normal wear and tear, or to lack of maintenance. We shall in no event be liable for death, injuries to persons or property, or for incidental, contingent, special or consequential damages arising from the use of our product. Some states do not allow the exclusion or limitation of incidental or consequential damages, so the above limitation of exclusion may not apply to you. THIS WARRANTY IS EXPRESSLY IN LIEU OF ALL OTHER WARRANTIES, EXPRESS OR IMPLIED, INCLUDING THE WARRANTIES OF MERCHANTABILITY AND FITNESS.

To take advantage of this warranty, the product or part must be returned to us with transportation charges prepaid. Proof of purchase date and an explanation of the complaint must accompany the merchandise. If our inspection verifies the defect, we will either repair or replace the product at our election or we may elect to refund the purchase price if we cannot readily and quickly provide you with a replacement. We will return repaired products at our expense, but if we determine there is no defect, or that the defect resulted from causes not within the scope of our warranty, then you must bear the cost of returning the product.

This warranty gives you specific legal rights and you may also have other rights which vary from state to state.

PROFESSIONAL SERIES
CHICAGO  ELECTRIC®
POWER TOOLS

3491 Mission Oaks Blvd. • PO Box 6009 • Camarillo, CA 93011 • (800) 444-3353

Free Manuals Download Website

<http://myh66.com>

<http://usermanuals.us>

<http://www.somanuals.com>

<http://www.4manuals.cc>

<http://www.manual-lib.com>

<http://www.404manual.com>

<http://www.luxmanual.com>

<http://aubethermostatmanual.com>

Golf course search by state

<http://golfingnear.com>

Email search by domain

<http://emailbydomain.com>

Auto manuals search

<http://auto.somanuals.com>

TV manuals search

<http://tv.somanuals.com>