

**3** SERIES

# SAVANNAH CR127

4 X 30 WATTS POWER

**BLAUPUNKT**



*Cassette Receiver with Codem III-US Tuner*

*Récepteur/Lecteur Cassette avec Syntoniseur Codem III-US*

*Receptor/Reproductor de Cassette con Sintonizador Codem III-US*

*Toca-Fitas Receptor com Sintonizador Codem III-US*

**● BLAUPUNKT.**  
Bosch Group

# FCC Warning

---

The equipment has been tested and found to comply with the limits for a Class B device, pursuant to Part 15 of the FCC Rules. These limits are designed to provide reasonable protection against harmful interference in a residential installation. This equipment generates, uses, and can radiate radio frequency energy, and, if not installed and used in accordance with instructions, may cause harmful interference with radio communications. However, there is no guarantee that radio interference will not occur in particular installation. If this equipment does cause harmful interference to radio or television reception, which can be determined by turning the equipment off and on, the user is encouraged to contact the dealer or an experienced Radio/TV technician for help.

You are cautioned that any changes or modifications not expressly approved in this manual could void your authority to operate this equipment.

## Owner's Record

---

The model and warranty numbers are located on the top of the unit. Record the warranty (serial) number in the space provided below. Refer to these numbers whenever you call upon your Blaupunkt dealer regarding this product.

Warranty Number \_\_\_\_\_

**Attach Sales Receipt Here**

# Table of Contents

---

## English

FCC Warning .....	2
Owner's Record .....	2
Features .....	4
Precautions .....	4
Detachable Face .....	5
Electrical Connections and Installation .....	6
Installation .....	8
Maintenance .....	10
Specifications .....	11
Location of Controls .....	12
Instructions—General Operation .....	12
Audio Operation .....	13
Radio Operation .....	14
Cassette Tape Player Operation .....	15
Troubleshooting Guide .....	17

## Français

Avertissement de la FCC .....	20
Archive du Propriétaire .....	20
Caractéristiques .....	21
Précautions à Prendre .....	21
Face Avant Amovible .....	22
Raccordements Électriques et Installation .....	23
Installation .....	25
Entretien .....	27
Spécifications .....	28
Emplacements des Commandes .....	29
Mode d'Emploi/Fonctionnement Général .....	29
Fonctionnement de la Audio .....	31
Fonctionnement de la Radio .....	31
Fonctionnement du Lecteur de Cassette .....	32
Guide de Dépannage .....	35

## Español

Advertencias FCC .....	36
Registro del Propietario .....	36
Características .....	37
Precauciones .....	37
Panel Frontal Desmontable (Carátula) .....	38
Conexiones Eléctricas e Instalación .....	39
Instalación .....	40
Mantenimiento .....	43
Especificaciones .....	44
Ubicación de los Controles .....	45
Instrucciones de Funcionamiento .....	45
Funcionamiento de Audio .....	46
Funcionamiento de la Radio .....	47
Funcionamiento de Reproductor de Cassette .....	48
Guía para la Solución de Problemas .....	50

## Portuguese

Aviso da FCC .....	51
Registro do Proprietário .....	51
Características .....	52
Precauções .....	52
Painel Removível .....	53
Conexões Eléctricas e Instalação .....	54
Instalação .....	56
Manutenção .....	58
Especificações .....	59
Posição dos Controles .....	60
Instruções-Funcionamento Geral .....	60
Funcionamento do Audo .....	61
Funcionamento do Rádio .....	62
Funcionamento do Toca-Fitas .....	63
Guia para Solução de Problemas .....	66

# Features

---

Congratulations on your purchase of this Blaupunkt Cassette Receiver. Its Codem III-US FM/AM Tuner and Autoreverse Cassette Tape Player mechanism provide the ultimate in radio sound reproduction. Its high-power amplifier and 4-Channel preamp output provide you with tremendous system configuration flexibility.

- Codem III-US Tuner Features:
  - Multipath Management
  - ASU Electrical Impulse Noise Reduction
  - Superior AM Frequency Response
  - 15 FM/5 AM Presets, Including 5 FM & 5 AM Travel Store Presets
  - Station Scan
  - Local/Distant Seek & Manual Tuning
- Cassette Tape Player Features
  - Auto-Reverse Cassette Mechanism
  - True Fast-Forward/Rewind
  - Hard Permalloy Tape Head
  - Radio Monitor with Radio Preset Access
  - Dolby B Noise Reduction
- Audio Features:
  - 30 Watts x 4 Channel Integrated Amplifier
  - Dual-Level Fader
  - Over 3 Volts of Distortion-Free Preamp Output
  - 4-Channel, Low Impedance (100 Ω) Preamplifier
  - 2-Channel RCA Preamp Output Harness Included
  - Bass, Treble, Balance, Fader Controls
  - Adjustable Maximum Turn-On Volume
  - Loudness Button
  - Mute Button
  - Auxiliary Input
- Other Features:
  - Partially Detachable Face
  - Green Illumination
  - Display Priority Control
  - Temporary Display Change Control
  - Clock/Ignition-Off Clock Recall
  - 180 x 50 x 155 mm (7 x 2 x 6 1/8 in.) DIN/ISO Chassis
  - Detachable Wire Harness
  - Snap-In DIN Sleeve & Mounting Hardware
  - Side-Bracket Compatible

Your unit's detachable front faceplate makes the unit useless to would-be thieves.

*Designed, Engineered and Manufactured by Blaupunkt*

# Traffic Safety and Precautions

---

- Do not adjust your unit in difficult driving conditions that demand your full attention.
- As the driver of a motor vehicle, it is your responsibility to pay attention to the traffic situation at all times. Never use your unit in a way that could distract you.
- Always make sure that you are still able to hear any warning signals coming from outside of the vehicle, such as police or fire engine sirens, so that you can react accordingly.
- If your vehicle was parked in direct sunlight resulting in a considerable rise in temperature inside the vehicle, allow the unit to cool off before operating your unit.
- You are cautioned that any changes or modifications not expressly approved in this manual could void your warranty.
- Car Wash precaution - If you have a motorized antenna, make sure to turn off the unit - not just the tuner - so that the antenna is lowered and antenna damage is prevented!

# Detachable Face

## Detaching & Attaching the Face:

The face of this unit can be detached and taken with you to prevent it from being stolen.

### Detaching the Face:

Press the REL (Release) Button and detach the face by gently pulling it off as illustrated.

**Note:** Do not pull it straight out from the chassis. Be sure not to drop the face when detaching it from the chassis.

### Attaching the Face:

Apply the right hand side of the face to the chassis by sliding (part B) of the face to (part A) at the front of the chassis. Gently push the left side of the face against the front of the chassis until it snaps into place.

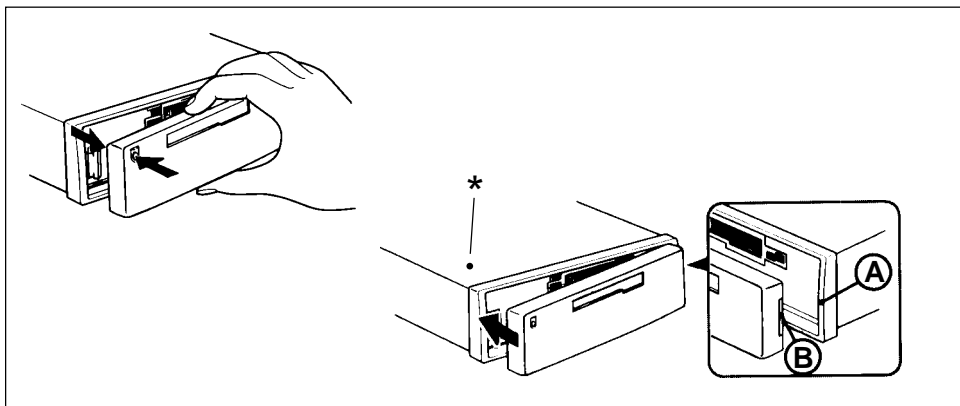
**Note:** Make sure that the face is inserted right side up. Do not press against the display window. Do not press hard against the face when attaching it to the chassis, it may be easily attached with gentle pressure. Do not expose the face to direct sunlight, heat sources such as hot air ducts or leave it in a humid place. Never leave it on the dash board of a vehicle parked in direct sunlight, where there may be a considerable rise in temperature inside the vehicle.

### Affixing Faceplate For Retail Display:

The faceplate can be affixed to the unit's chassis, which is desirable for a retail display, for example.

### To affix the faceplate:

Insert the black bolt into the hole at the left front of the top of the radio. See\* below.



# Electrical Connections and Installation

---

To avoid the aggravation of costly mistakes and serious damage that could make you feel this way, please carefully read all of the instructions before you begin. Carefully follow all instructions. You'll be glad you did!

## GENERAL RECOMMENDATIONS

- If you're not confident that you can install the unit correctly, have it installed by a qualified Blaupunkt installation technician.
- Use this unit only with negative ground 12 Volt (11-16 Volt) direct current (DC).
- Be sure to detach the faceplate before you start to connect or install the unit.
- Don't assume that a seemingly matching wire harness in the vehicle has leads that match the leads of the unit's wire harness.
- We recommend making and testing all electrical connections before installing the unit. Connect the leads (wires) according to instructions and diagram below.

## ELECTRICAL CONNECTION INSTRUCTIONS

1. Disconnect the vehicle battery's negative terminal before making connections.
2. Connect the speakers and/or external amplifiers (if you have any) following the guidelines in the SPEAKER CONNECTION section below.
3. Connect the blue (trigger output) lead to an amplifier's trigger input terminal and/or antenna motor trigger input terminal (if you have either or both of these items). The combined total amperage required for triggering the antenna motor and/or amplifier must not exceed 300 mA. DO NOT connect the blue lead to the antenna's and/or amplifier's power supply input.
4. Connect the black (power ground) lead to a grounded metal part on the vehicle. We recommend grounding all audio system black ground leads (head unit, external amplifier, etc.) to a common grounding point, preferably a non-painted surface under the instrument panel.
5. Connect the yellow (constant power) input lead to a source of constant battery power, preferably a terminal to an appropriate slot in the fuse box.
6. Connect the red (turn-on power) input lead only after the other leads are connected. Be sure to connect the red lead to a positive (+) 12 Volt power terminal that is energized only when the ignition key is set to the on position or accessory position.
7. Cover the ends of any unused leads with electrical tape. This will prevent them from touching the vehicle or each other and causing a short-circuit and damage to the radio or vehicle.
8. Reconnect the vehicle's battery.
9. Verify that no fuses have blown.
10. Plug the harness into the unit.
11. Attach the faceplate and test the unit.

Once the connections have been successfully made, you can begin to mount the unit.

## SPEAKER CONNECTIONS

The unit's Dual-Level Fader allows you to fade between the front and the rear channels using either the front and/or rear speaker leads and/or the rear preamp outputs, providing you tremendous flexibility in configuring your speaker arrangement:

- You can connect a speaker (regular, co-axial or tri-axial speakers or component speaker system, all hereafter referred to simply as "speaker") to each of the unit's four pairs of speaker leads.
- You can connect the 2 RCA preamp outputs to multiple external amplifiers and power multiple speakers or speaker systems through the amplifiers. (Blaupunkt amplifiers and speakers available separately). To add front preamp output, purchase Blaupunkt part 8 634 494 218.
- You can use a either or both of these two methods.

### Connecting the Speaker Leads

**To prevent short circuits or serious damage to the unit and/or speakers:**

- Connect the speaker leads only as indicated in the wiring diagram. Disconnect the vehicle battery's negative terminal before making connections.
- Only use speakers that have impedance ratings of 4 ohms or higher and have power-handling capabilities greater than the unit's stated power level.
- The unit's internal amplifier is designed to handle a 4-ohm load on each pair of speaker leads.
- DON'T connect two speakers to a single pair of speaker leads ("in parallel") unless both speakers

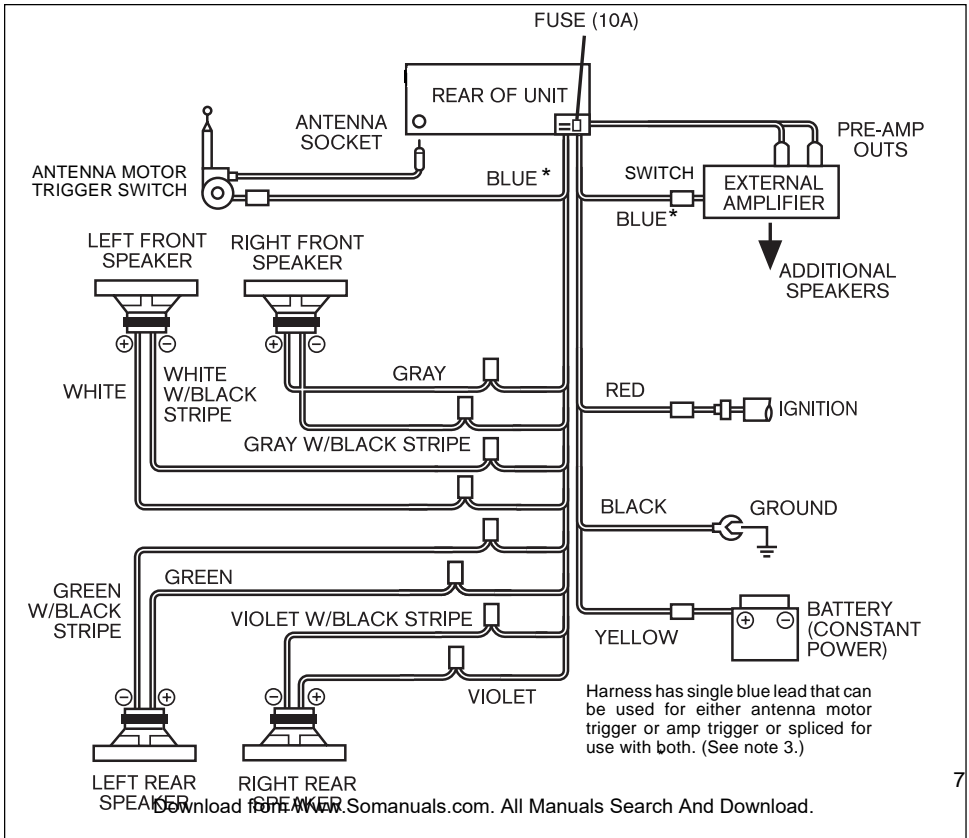
each have at least 8 ohms impedance.

- DON'T connect the left and right speaker leads to each other or to the same speakers.
- DON'T connect the front and rear speaker leads to each other or to the same speakers.
- DON'T connect the negative speaker leads to each other.
- DON'T connect the positive speaker leads to each other.
- DON'T connect any active speakers (with built-in amplifiers) to the speaker leads unless their owner's manuals specifically state that this is O.K.
- Cover the ends of any unused leads with electrical tape. This will prevent them from touching the vehicle or each other and causing a short-circuit and damage to the receiver or vehicle.

### Connecting the Pre-Amp Outputs to External Amplifier(s)

To prevent short circuits or serious damage to the receiver, amplifier, and/or speakers:

- Follow the amplifier's instructions on how to connect the unit's preamp outputs to the amplifier(s) and connect the speaker(s) directly to the amplifier.

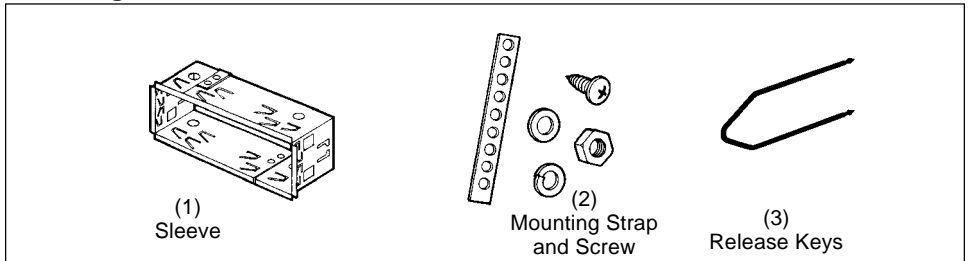


# Installation

## Recommendations

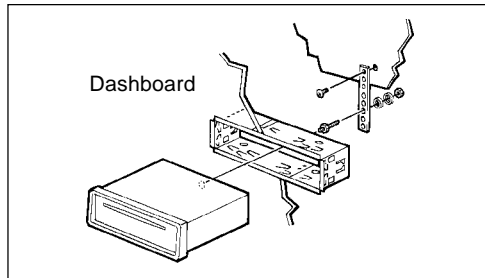
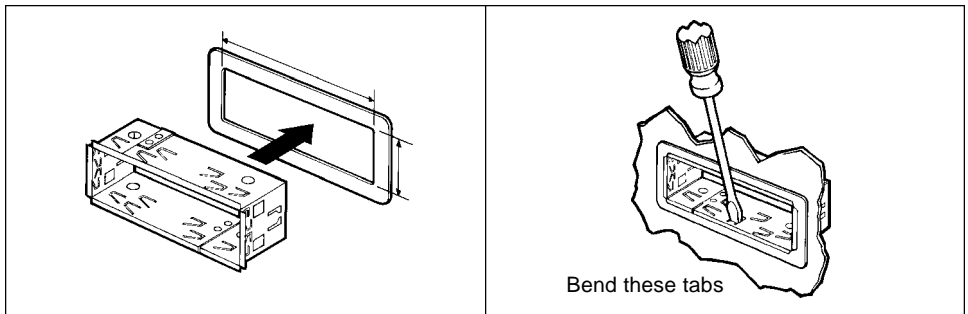
- Carefully choose the mounting location so that the unit won't interfere with normal driving.
- Avoid mounting locations where the unit would be subject to high temperatures, such as from direct sunlight or hot air from the heater, or where it would be subject to dust, dirt or excessive vibration.
- The illustration below shows a typical installation, however, you may need to adjust the installation, depending on the unit. If you have questions or need additional installation hardware, consult your Blaupunkt dealer.
- Make sure the unit is firmly anchored (preferably at both front and back) and does not vibrate

## Mounting Hardware



## Mounting The Unit in Most Dashboards

- 1 Install the Sleeve (1) in the dashboard.
- 2 Select and bend the appropriate tabs to hold the sleeve firmly in place.
- 3 A. Attach the Mounting Strap (2) to the underside of the dashboard, using screw.  
B. Attach the back of the unit to the mounting strap using the support stem bolt and hardware.

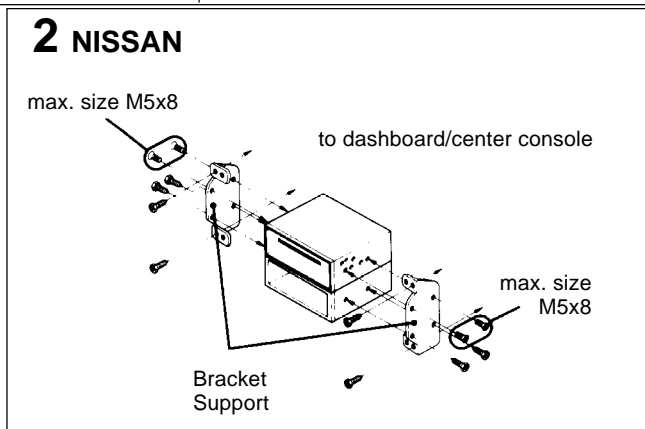
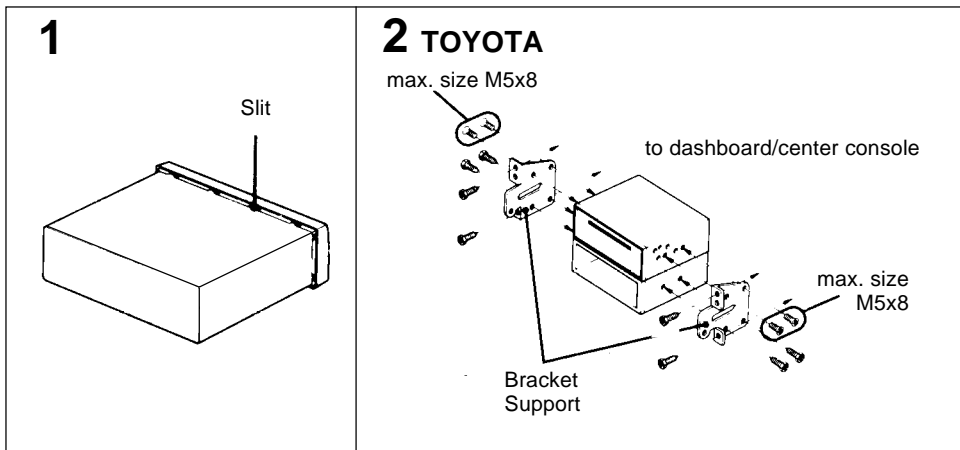




## Mounting the Unit in a Japanese Car

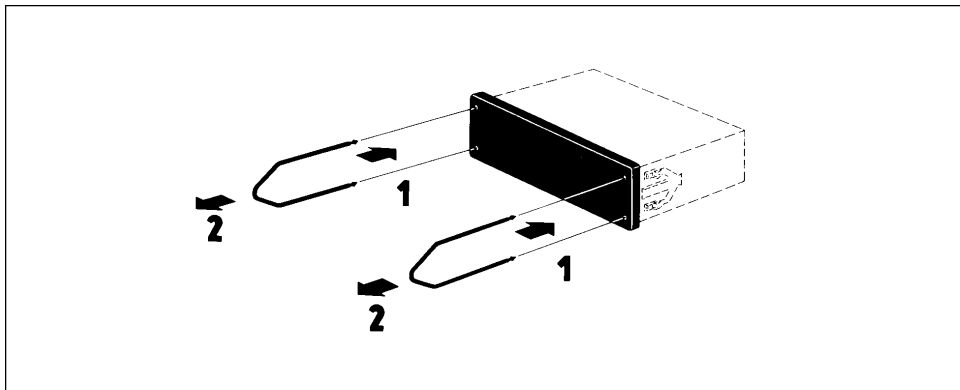
You may have difficulty mounting this unit in some Japanese cars that have ISO mounting features (side-bracket mounting systems). In this case, consult your Blaupunkt dealer.

- 1 Run a blade along the slits on the back of the front trim ring, unscrew the two side screws, and separate it from the unit. Save the trim ring and related hardware in case you ever want to install the unit in another vehicle.
- 2 Use the vehicle's own mounting hardware to attach the unit.



# Maintenance

---



## Removing the Unit

Use the Release Keys as shown below. Keep them in a safe place in case you need them in the future.

## Fuse Replacement

When replacing the fuse, be sure to use one with the correct amperage, which will be stated on the fuse case. Never use a fuse that has a stated amperage exceeding the one supplied for this unit, as this could cause malfunction and serious damage to the unit.

# Specifications

---

## Audio Power Specifications

---

Power Output and Total Harmonic Distortion: 13 watts per channel minimum continuous average output into 4 ohms, 4 channels driven, from 30-15,000 Hz with no more than 1% total harmonic distortion.

## Other Specifications

---

### Tuner

#### FM

Tuning Range:	87.5 - 107.9 MHz
Intermediate Frequency:	10.7 MHz
FM Mono Sensitivity:	13 dBf
Seek lo sensitivity:	51 dBf
Seek sensitivity	31 dBf
Selectivity:	80 dB at 400kHz
Signal-to-Noise Ratio:	65 dB (stereo), 70 dB (mono)
Harmonic distortion at 1 kHz:	0.7% (stereo), 0.5% (mono)
Separation:	30 dB
Frequency Response:	30-15,000 Hz $\pm$ 3 dB

#### AM

Tuning Range:	530 - 1,710 kHz
Seek lo sensitivity	50 dB $\mu$ V
Seek sensitivity:	25 dB $\mu$ V
Intermediate Frequency:	450 kHz
Signal-to-Noise Ratio:	50 dB
Frequency Response:	30-5,000 Hz $\pm$ 3dB

### Audio

Speaker Impedance:	4-8 ohms
Maximum Amp Power:	4 X 30 Watts (at 4 ohms)
RMS Power:	4 X 13 Watts (at 4 ohms) <1% THD
Bass Control:	$\pm$ 10 dB @ 100 Hz
Treble Control:	$\pm$ 10 dB @ 10 kHz
Loud:	+ 8 dB @ 60 Hz & + 2 dB @ 8 kHz
Preamp Output:	4-Channel, Low-Impedance (100 $\Omega$ ) Preamplifier Over 3 Volts of Distortion-Free Preamp Output

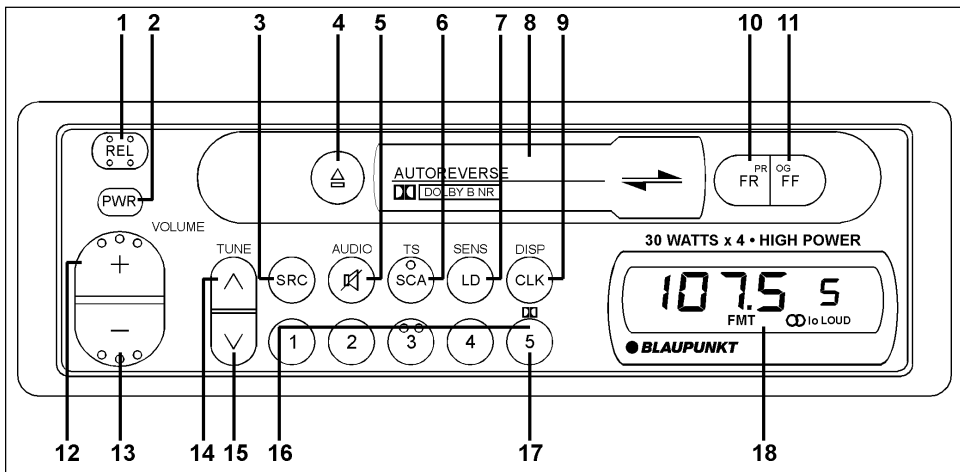
### Cassette

Signal-to-Noise Ratio:	55 dB
with Dolby B Noise Reduction:	65 dB
Tape Wow and Flutter:	0.10% dB
Tape Frequency Response:	30-18,000 Hz $\pm$ 3 dB

### General

Dimensions (w/o projecting parts/controls):	180 x 52 x 155 mm, 7 x 3 x 6 $\frac{1}{8}$ in.
Mass:	Approx. 1.4 kg (3.0 lb.)
Power Requirement (neg. grnd.):	12 V DC car battery (11-16 V DC allowable)
Operating Temperature:	15°F to 120°F, -10°C to 50°C
Supplied Accessories:	<ul style="list-style-type: none"><li>• Unit</li><li>• Faceplate</li><li>• Wire Harness, including 2-Channel RCA Preamp Output Harness</li><li>• DIN Sleeve</li><li>• Mounting Hardware</li><li>• Owner's Manual in English, French, Spanish and Portuguese</li></ul>
Optional Accessories:	<ul style="list-style-type: none"><li>• 4-Channel Preamp Output Harness (Part No. 8634494218)</li></ul>

# Location of Controls



- |   |                             |
|---|-----------------------------|
| 1. REL (Release) Button                     | Balance Right               |
| 2. PWR (Power) Button                       | Fade to Rear                |
| 3. Source (and Radio Band) Select           | 14. ^ Button                |
| 4. Cassette Eject                           | Seek and Manual Tuning      |
| 5. Mute/ Audio Button/ Clock Adjust:00      | Clock Hours                 |
| 6. SCA (Scan) TS (Travel Store)             | 15. v Button                |
| 7. LD (Loudness)/ SENS (Tuning Sensitivity) | Seek and Manual Tuning      |
| 8. Cassette Insertion Slot                  | Clock Minutes               |
| 9. CLK/Display Change                       | 16. FM/AM Presets           |
| 10/11. Tape Program Change (reverse)        | 17. Dolby B Noise Reduction |
| 10. Fast Rewind                             | 18. Display                 |
| 11. Fast Forward                            |                             |
| 12. + Button                                |                             |
| Volume +                                    |                             |
| Bass +                                      |                             |
| Treble +                                    |                             |
| Balance Left                                |                             |
| Fade to Front                               |                             |
| 13. - Button                                |                             |
| Volume -                                    |                             |
| Bass -                                      |                             |
| Treble -                                    |                             |

## Instructions — General Operation

See Traffic Safety & Precautions on page 4.

“Press” means a momentary press of less than 1/2 second. All presses requiring more than 1/2 second are followed by beep.

“Time Out” When additional button presses are anticipated to complete a procedure, the unit will automatically exit the procedure after 4 seconds of inactivity.

### **Ignition-Off Clock Recall**

Any button press while ignition off displays time for about 8 seconds.

### **Ignition-On**

Unit lights up and clock is displayed.

### **Release for Detachable Faceplate**

Push REL to detach face. Already-inserted cassette remains in unit. Current settings and source mode are stored. If power was not switched off before face removed, unit will automatically power-on when face is reattached.

### **Power (PWR) On/Off**

When ignition on, press PWR or insert a disc to turn unit on. Last-used source becomes active, unless unit is turned on by inserting tape, in which case tape player becomes active.

### **Power Off**

Press PWR to turn unit off. Unit stores current settings for source, station or track, etc. Antenna/amplifier trigger wire shuts off voltage. (If faceplate still attached, display switches to clock.)

### **Setting the Clock**

Turn the unit on. Press the CLK Button for four seconds until the clock starts blinking. (The display will change after two seconds. Ignore this and continue to hold for two more seconds.) Once the clock starts blinking, Press the  $\wedge$  to set the hour, and press the  $\vee$  Button to set the minutes. (To change the minute indicator to the nearest hour (:00), you can press the MUTE Button. Press the CLK Button again to activate the clock.

### **Changing the Information Displayed**

The display priority choices are clock or functional information (radio frequency, "TAPE 1 or 2").

- To change the display priority, press the CLK Button for two seconds. The display priority changes. The display priority choices are clock or radio frequency/"TAPE".
- To change the display temporarily, press and release the CLK Button to access the desired information. After *four* seconds, the display changes back to the priority information.

### **Source (SRC)**

Use SRC to select source - AMT, FM1, FM2, FMT, Cassette (if already inserted).

## **Audio Operation**

---

### **Volume Control Buttons (+/-)**

Press +and - to increase/decrease volume from 0 to 63, in increments of 1.25 dB/step. Volume control is accessible from all modes except Bass, Treble, Balance and Fade modes.

### **Adjustable Maximum Turn-On Volume**

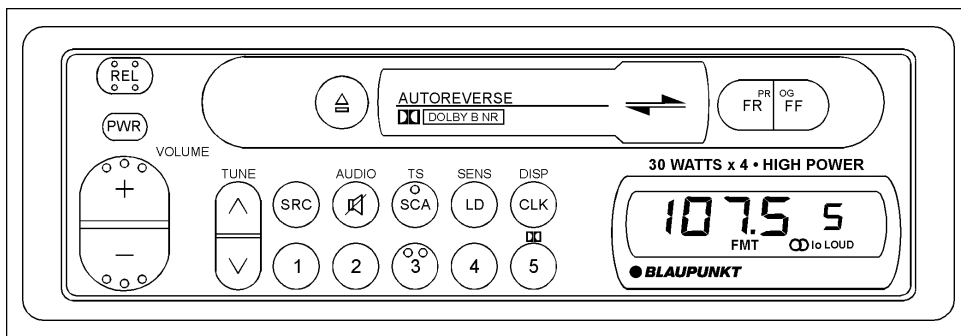
First adjust the volume to the (maximum) volume level desired when the unit is turned on. Press and hold the PWR Button for more than two seconds. The unit turns off and the turn-on volume level is memorized. When the unit is turned on, the volume will be at the memorized level, even if the unit was turned off while the volume was at a higher level. However, if the volume is turned off when the volume level is lower than the stored Turn-On volume level, the volume will be at the lower level when the unit is turned back on.

### **Mute**

Press Mute to temporarily reduce volume by 20 dB. "MUTE" appears. Mute is terminated by pressing any button.

### **Bass, Treble, Balance and Fade**

Press Mute/AUDIO for more than 1/2 second to access Bass. Subsequent presses access Treble, Balance and Fade modes.



Bass -Adjust from +7 to -7 at 2 dB/step using + to increase bass, - to decrease.

Treble - Adjust from +7 to -7 at 2 dB/step using + to increase treble,- to decrease.

Balance - Adjust balance from 9 (all the way left) using + to -9 (all the way right) using -.

Fader - Adjust fader from 9 (sound only from the front) using + to -9 (sound only from the rear) using -.

### Loudness (LD)

Press LD to increase sound of low and high frequencies. LOUD icon appears. To cancel, press LD again.

## Radio Operation

### Last Station Memory

Each FM bank and AM band has its own last station memory which holds last-tuned frequency for that band or bank irrespective of whether that frequency is stored into a preset.

### Selecting Bands

Press SRC as needed to access FM1, FM2, FM3/FMT, AM/AMT banks.

### Seek Tuning

Press  $\wedge$  or  $\vee$  to seek next receivable frequency. Tuning stops at frequency that fulfills sensitivity requirements predetermined by sensitivity set through SENS/LD button.

### Tuning Sensitivity (SENS)

Press SENS/LD for more than 2 seconds to switch between local (lo) and distant search sensitivity. When "lo" is absent from the display, search sensitivity setting is distant.

### Radio Reception Hints

- When listening to weak or distant AM stations, adjusting the Treble to minimum (-7) will reduce noise and improve sound.
- In general, set SENS to distant tuning if in rural areas or where stations tend to be weak and distant, and to local tuning when in metropolitan areas or areas where stations tend to be strong and local.

### Stereo Symbol

Stereo symbol turns on if a stereo station with an incoming signal of at least 20 dB $\mu$ V is received. The unit gradually switches between mono to stereo automatically.

### Manual Tuning

Press  $\wedge$  or  $\vee$  for more than 1/2 second and frequency will go one channel/step in direction pressed. Press and hold causes continuous manual tuning. Unit returns to seek tuning mode after 4 seconds or after storing a station on a preset.

### Preset Station Storage

After tuning desired frequency on desired band, press and hold a Preset Button for more than 2

seconds to store current frequency. Audio is muted during storage, preset number appears, and beep acknowledges storage.

### **Preset Station Selection**

Press desired Preset Button.

### **Travel Store**

This feature allows you to automatically store stations onto all 5 preset buttons and is especially useful when traveling outside your normal listening area. In any FM Bank, press SCA/TS for 2 seconds to activate FM Travel Store. (In AM Bank, press it for 2 seconds to activate AM Travel Store.) TS appears. Beginning at the bottom of the band, TS stores five relatively strong stations, one on each of the five preset buttons, and returns to preset 1. Pressing any tuning-related button during Travel Store process cancels search operation.

### **Station Scan Tuning**

Press SCA. Frequency blinks (along with preset number if appropriate) during scanning. Unit stops at receivable stations for 4 seconds. Unit continuously scans until user stops scan by pressing SCA, another tuning button or SRC.

## **Cassette Tape Player Operation**

---

### **Tape Playback:**

- Insert cassette into Cassette Door. (Note: Make sure that the side of the cassette exposed is facing right and that all slack has been removed from the tape prior to insertion.)
- If ignition switch is already in "on" or accessory position, insertion of cassette will turn unit on. If unit already turned on, cassette insertion will override other audio source, such as radio. "LOAD" appears for 2 seconds. Cassette play will begin, and the display will indicate which tape program is in use, "1" or "2".
- The tape will continue to play until ejected, SRC button pressed, or unit turned off.

### **Ejecting The Tape**

Press the eject button completely towards the face of the unit. The tape will eject. If unit is turned on, EJ will appear in the display for 2 seconds and the last-heard radio station will play.

### **Tape Program Change**

- Automatic Change (Autoreverse): When the end of the tape is reached, the unit will automatically reverse direction and play the other side of the tape.
- Manual Change: To manually reverse tape direction, press both PROG (program) Buttons (FR & FF) at the same time.
- The change in direction and in tape program will be confirmed in the display ("1" or "2").

### **Fast Winding**

- To Fast-Rewind the tape, press the FR Button. Tape rewinds and ◀ blinks in the display.
- To Fast-Forward the tape, press the FF Button. Tape fast-forwards and ▶ blinks in the display.
- To stop fast-winding, press the other fast winding button, FR or FF.

### **Radio Monitor**

During tape winding, the radio will play the most-recently heard radio frequency. All frequencies stored on the current bank of preset stations are accessible during fast winding.

### **Dolby B Noise Reduction**

Press Dolby button when playing tapes recorded with the Dolby B noise reduction system to eliminate hissing noise. The Dolby symbol appears in the display. To cancel, press again. Note: Dolby on/off not active in Fast-Winding mode (Preset 5 is instead).

*Dolby noise reduction manufactured under license from Dolby Laboratories Licensing Corporation. "Dolby" and the double-D symbol are trademarks of Dolby Laboratories Licensing Corporation.*

# Auxiliary Input Jack

---

Connect other audio equipment, such as a portable DAT player, through the 1.2 volt/3.5 mm pigtail connector. Access auxiliary equipment output by pressing SRC until "InP" appears. Adjust volume, bass, and treble settings through head unit.

## Troubleshooting Guide

---

The following check will assist in the correction of most problems which you may encounter with your unit. Before going through the check list below, refer back to the connection and operating procedures.

### General

Trouble	Cause/Solution
No sound.	<ul style="list-style-type: none"><li>• Adjust the volume with the + button.</li><li>• With a two-speaker system set the fader control to the center position.</li></ul>

### Radio reception

Trouble	Cause/Solution*
Preset stations are not receivable.	<ul style="list-style-type: none"><li>• The broadcast is too weak.</li></ul>
Automatic tuning is not possible.	<ul style="list-style-type: none"><li>• The broadcast is too weak. —&gt; Use manual tuning.</li></ul>
Travel Store feature does not complete storing of six stations.	<ul style="list-style-type: none"><li>• Not enough broadcast frequencies are receivable.</li></ul>

\* Also make sure that antenna is connected, extended and dry inside.

If the above mentioned solutions do not help to improve the situation, consult your nearest Blaupunkt dealer or in the United States call 1-800-266-2528.





## **Bosch Group**

**German Headquarters:  
Blaupunkt-Werke GmbH  
Postfach 77 77 77  
D-31132 Hildesheim  
Germany**

**Robert Bosch Corporation  
Sales Group — Blaupunkt Division  
2800 South 25th Avenue, Broadview, Illinois 60153  
1-800-950-BLAU**

**Robert Bosch, SA., DE, C. V.  
Dr. Lucio 270  
Cols. Doctores, Mexico 06720**

**Made in Malaysia  
Fabrique en Malasie  
Hecho en Malasia  
Fabricado en Malaysia**

**Copyright 1997 by the Robert Bosch Corporation**

**No portion of this work may be reproduced in any form without  
the written consent of the Robert Bosch Corporation.**

## Free Manuals Download Website

<http://myh66.com>

<http://usermanuals.us>

<http://www.somanuals.com>

<http://www.4manuals.cc>

<http://www.manual-lib.com>

<http://www.404manual.com>

<http://www.luxmanual.com>

<http://aubethermostatmanual.com>

Golf course search by state

<http://golfingnear.com>

Email search by domain

<http://emailbydomain.com>

Auto manuals search

<http://auto.somanuals.com>

TV manuals search

<http://tv.somanuals.com>