



**BG3240
CONVEYOR OVEN
REPLACEMENT PARTS MANUAL
(with WIRING DIAGRAMS)**



Serial # Code
First 4 digits - order of production
Fifth digit - model specific
Sixth and Seventh digit - month of production
Eighth and Ninth digit - year of production

Table of Contents: Page 2

BLODGETT CONVEYOR OVENS, 1400 Toastmaster Drive, Elgin, IL 60120
Telephone: (847) 741-3300 Fax Number (847) 741-4406

www.blodgett.com

email: techsupport@middleby.com

TABLE OF CONTENTS

TABLE OF CONTENTS	2
SPECIFICATION SHEET	3
OVEN AND ELECTRICAL SPECIFICATIONS	5
KEY PARTS	6
BG3240 OVEN INSTALLATION KIT (51100)	7
BG3240 SINGLE OVEN OPTION BASE KIT (34832)	8
BG3240 DOUBLE OVEN OPTION BASE KIT (34833).....	9
BG3240 TRIPLE OVEN OPTION BASE KIT (OUTRIGGERS) (51139)	10
STANDARD FINGER CONFIGURATION (50593 REV C)	11
VIEW OF OVEN PANELS, WINDOW AND LEGS	12
PARTS FOR OVEN PANELS, WINDOWS AND LEGS.....	13
VIEW OF RIGHT-HAND CONTROL COMPARTMENT	14
PARTS FOR RIGHT-HAND COMPARTMENT	15
VIEW OF BLOWER AREA	16
PARTS FOR BLOWER AREA.....	17
VIEW OF BLOWER/MOTOR COMPARTMENT	18
PARTS FOR BLOWER/MOTOR COMPARTMENT	19
VIEW OF GAS BURNER & PIPING	20
PART FOR GAS BURNER & PIPING.....	21
VIEW OF "SINGLE" BELT CONVEYOR.....	22
PARTS FOR "SINGLE" BELT CONVEYOR	23
VIEW OF "SPILT" BELT CONVEYOR.....	24
PARTS FOR "SPLIT" BELT CONVEYOR.....	25
WIRING DIAGRAM, 208-240 VOLT 50/60 HZ., 1-PHASE 3W 50141 REV. F2 US/UK/CANADA	26
LADDER WIRING DIAGRAM, 208-240 VOLT 50/60 HZ., 1-PHASE 3W 50141 REV. F1 US/UK/CANADA	27
WIRING DIAGRAM, 208-240 VOLT 50/60 HZ., 1-PHASE 3W 52059 REV. D DN.....	28
WIRING DIAGRAM, 208-240 VOLT 50/60 HZ., 1-PHASE 3W 52065 REV. D DUT.....	29
WIRING DIAGRAM, 208-240 VOLT 50/60 HZ., 1-PHASE 3W 52053 REV. D FR.....	30
WIRING DIAGRAM, 208-240 VOLT 50/60 HZ., 1-PHASE 3W 52055 REV. D GM.....	31
WIRING DIAGRAM, 208-240 VOLT 50/60 HZ., 1-PHASE 3W 52067 REV. D GK.....	32
WIRING DIAGRAM, 208-240 VOLT 50/60 HZ., 1-PHASE 3W 52061 REV. D IT.....	33
WIRING DIAGRAM, 208-240 VOLT 50/60 HZ., 1-PHASE 3W 52057 REV. D SP.....	34
WIRING DIAGRAM, 208-240 VOLT 50/60 HZ., 1-PHASE 3W 52063 REV. D SW.....	35



MODEL BE3240 & BG3240 Electric/Gas Conveyor Oven



OPTIONS AND ACCESSORIES

(AT ADDITIONAL CHARGE)

- Twin belt - two 15" (381mm) wide belts
- One year additional extended warranty*



Project _____

Item No. _____

Quantity _____

Blodgett conveyor oven with 32" (813mm) wide belt and 40" (1016mm) baking zone length. Single, double or triple stack models.

All data is shown per oven section, unless otherwise indicated.

EXTERIOR CONSTRUCTION

- Stainless steel front, top, bottom and sides
- Aluminized steel back
- Full drop down front window

INTERIOR CONSTRUCTION

- Stainless steel outer plates
- 32" (813mm) stainless steel wire mesh conveyor belt
- One single inlet blower in plenum for air circulation
- Upper and lower air fingers

OPERATION

- Heat transferred through forced convection (impingement)
- Open vented baking compartment
- Solid state digital controls to display set point and actual temperature as well as belt speed
- Electronic spark ignition control system (gas model)
- Gas power type burner has mixer with adjustable shutter and sight window (gas model)
- Internal gas pressure regulator (gas model)
- Tubular resistance elements (electric model)
- Solid state speed control with motor feedback
- Two circulation blower motors
- 3-30 minute bake time

STANDARD FEATURES

- Field reversible belt direction
- Large front loading door with window and stainless steel handle
- Product stop
- Cord set and plug (NEMA L6-15P) domestic gas ovens only
- Folding removable conveyor belt assembly
- Adjustable belt tensioning feature
- Flexible gas hose with quick disconnect and restraining device
- Oven start-up*
- One year parts & labor warranty*

* For all international markets, contact your local distributor.

BE3240 & BG3240

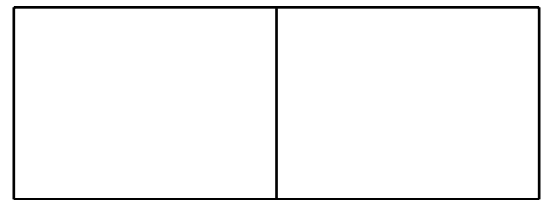
BLODGETT OVEN COMPANY

www.blodgett.com

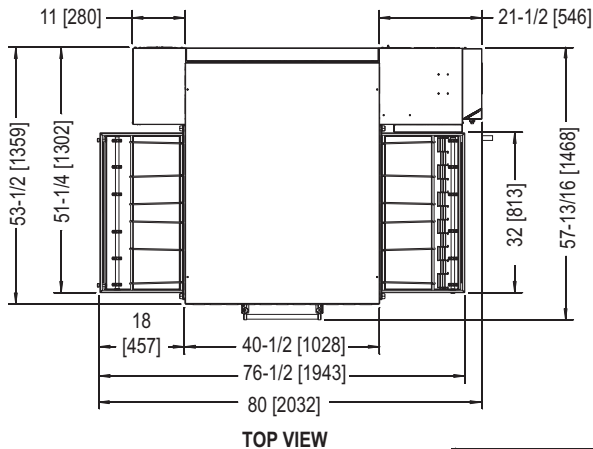
1400 Toastmaster Drive, Elgin, IL USA 60120 • Phone: (847) 741-3300 • Fax: (847) 741-0015



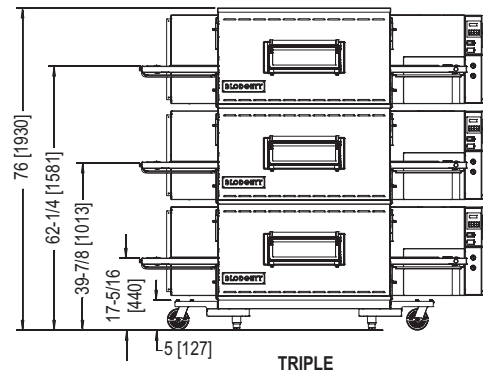
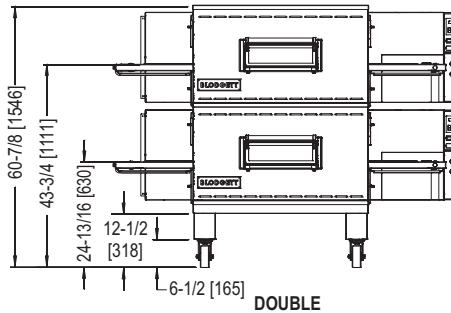
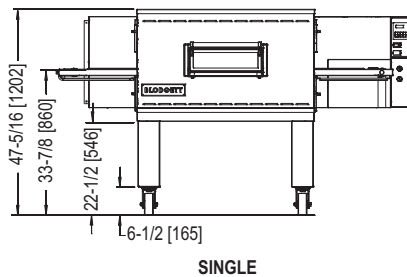
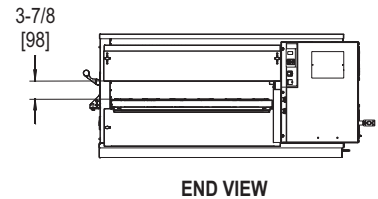
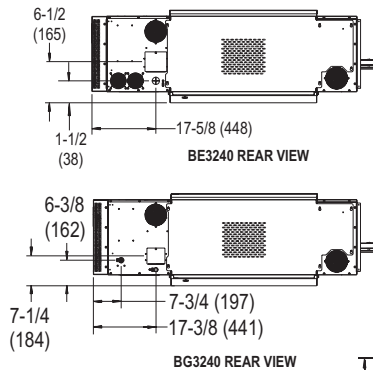
MODELS BE3240 & BG3240G



APPROVAL/STAMP



DIMENSIONS ARE IN INCHES [MM]



SHORT FORM SPECIFICATIONS

Provide Blodgett conveyor model BE3240 (electric) or BG3240 (gas) conveyor oven. Unit shall cook by means of forced, heated air. Unit shall be (single/double/triple) deck. Each deck shall be fully independent, of stainless steel construction, and fully insulated on all sides. Provide with (electronic spark ignition gas fired/electrically heated) baking compartment with one blower to evenly distribute heat across baking zone. Conveyor belt shall be 32" (813mm) wide and constructed of stainless steel wire mesh; baking zone length shall be 40" (1016mm). Unit shall be provided with drop down front window. Control panel shall be solid state with 550°F (288°C) maximum thermostat and LCD display of 3-30 minutes adjustable belt speed. Provide start-up inspection service by a factory authorized service agent. Provide options and accessories as indicated.

DIMENSIONS:

Floor space	80" (2032mm) W x 60-1/2" (1537mm) L		
Product clearance	3-7/8" (98mm)		
Combustible wall clearance	Left	Right	Rear
BE3240	0" (0mm)	0" (0mm)	3" (76mm)
BG3240	3" (76mm)	18" (457mm)	3" (76mm)
Belt width			
Standard belt	32" (813mm)		
Optional twin belt	15" (381mm) each		
Baking zone length	40" (1016mm)		

MAXIMUM INPUT: (per section)

BE3240	32.23 kW
BG3240	110,000 BTU/hr (32.23 KW) (116 MJ/hr)

GAS SUPPLY: (specify)

	Natural	Propane
Oven per cavity	1/2" NPT	3/4" NPT
Main gas supply	2" line	1-3/8" line
Minimum Gas Pressure:	6" W.C.	11.0" W.C.
Maximum Gas Pressure:	12" W.C.	14" W.C.

POWER SUPPLY (must have dedicated ground)

BE3240			
Domestic	208 VAC, 50/60 hz, 3 ph, 75 amp, 3-wire plus ground		
	240 VAC, 50/60 hz, 3 ph, 65 amp, 3-wire plus ground		
International	380 VAC, 50/60 hz, 3 ph, 41 amp, 3-wire plus N and ground		
	480 VAC, 50/60 hz, 3 ph, 32.5 amp, 3-wire plus N and ground		
CE	380 VAC, 50 hz, 3 ph, 41 amp, 3-wire plus N and ground		
BG3240			
Domestic	208-240 VAC, 1 phase, 50/60 Hz., 4.1 amp., 2-wire plus ground		
International	220-230 VAC, 1 phase, 50 Hz., 4.1 amp., 2-wire plus ground		

MINIMUM ENTRY CLEARANCE:

Uncrated	25-3/4" (654mm)
----------	-----------------

SHIPPING INFORMATION:

Approx. Weight:		
Single	1100 lbs. (499 kg)	
Double	2200 lbs. (999 kg)	
Triple	3300 lbs. (1498 kg)	

NOTE: The company reserves the right to make substitutions of components without prior notice

BLODGETT OVEN COMPANY

www.blodgett.com

1400 Toastmaster Drive, Elgin, IL USA 60120 • Phone: (847) 741-3300 • Fax: (847) 741-0015

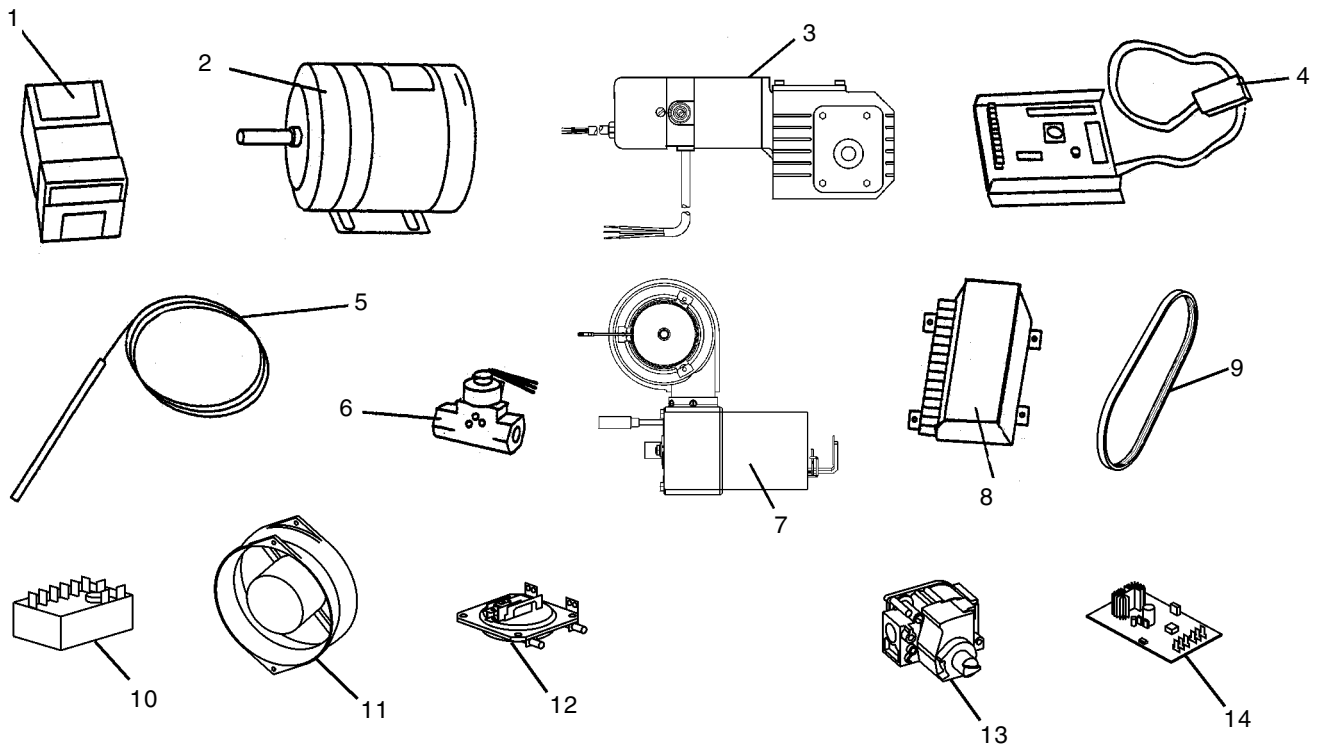
BG3240 SERIES OVEN SPECIFICATIONS

Conveyor Belt Width	32" (813mm)
Heating Zone Length	40-1/2" (1028mm)
Baking Area Square Feet	9 sq. ft. (0.84 sq. m.)
Overall Dimension Standard Single Oven w/Legs	80" (2032mm) L x 61-5/16" (1557mm) W x 47-5/16" (1202mm) H x
Overall Dimension Double Oven	80" (2032mm) L x 61-5/16" (1557mm) W x 60-15/16" (1548mm) H x
Overall Dimension Triple Oven	80" (2032mm) L x 61-5/16" (1557mm) W x 77-1/2" (1969mm) H x
Weight of Single Oven	925 lb (419kg)
Shipping Weight	1,100 lb (498.3kg)
Shipping Cube	Approx. 132 ft ³ (3.74 m ³)
Operating Range	27 kW/hr
Maximum Operating Temperature	550°F (287°C)
Warm-up Time	15 min.
Recirculating Air Fan	One fan at 2050 RPM
Air Velocity	3000 fpm (1524 cm/sec) (Average)
Bake Time	3 min. 0 sec. Bake Time minimum 30 min. 0 sec. Bake Time maximum

KEY PARTS

BG3240-SERIES GAS OVEN KEY PARTS

ITEM	PART NO.	ENGLISH DESCRIPTION	QUANTITY
1	58504	Temperature Controller	1
2	44687	Blower/Fan Motor	1
3	47797	Conveyor Drive Motor, Standard Speed	1 or 2
3A	47799	Conveyor Drive Motor, High Speed	1 or 2
3B	45017	Kit, Brushes, Springs & Caps	1
3C	50265	Pickup, Sensor	1
4	58323	Conveyor Speed Control	1
5	33812-3	Thermocouple	3
6	41647	Modulating Gas Valve	1
7	50275	Burner & Motor Assembly	1
8	50239	Ignition Control Module (kit)	1
9	See RPM Kit	Blower Belt, page 19	1
10	33983	High Limit Control Module	1
11	36451	Cooling Fan	2
12	50610	Air Switch	2
13	50274	Control Valve, Gas, 1/2"	1
14	31651	Signal Amplifier	1

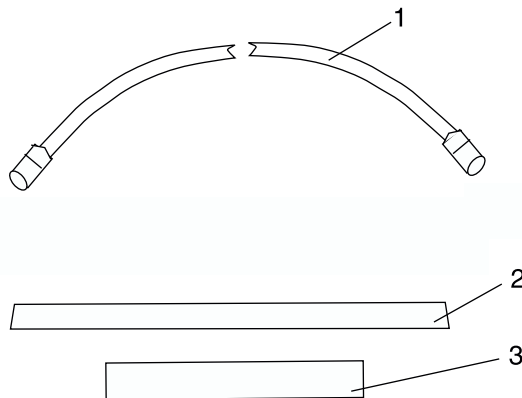


BG3240 OVEN INSTALLATION REQUIRED KITS AND EQUIPMENT

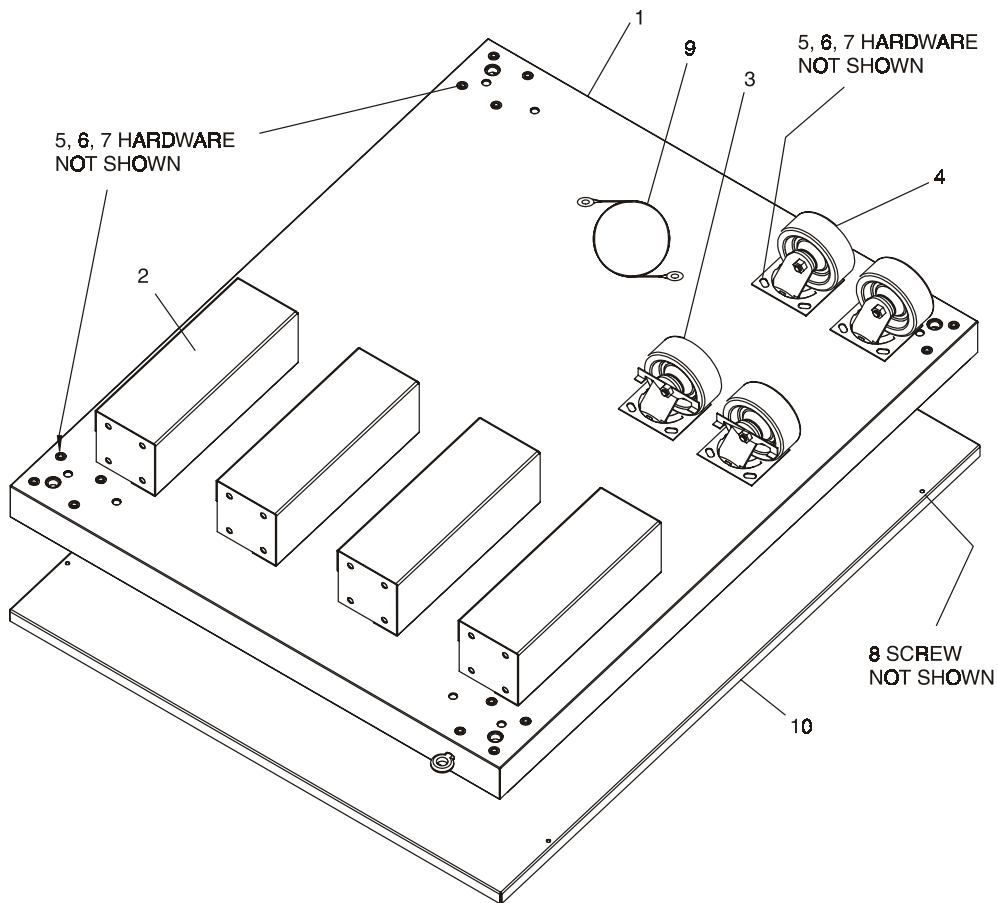
TYPE OF INSTALLATION	BG3240 Gas Oven Installation Kit P/N 51100	BG3240 Single Oven Option Base w/15" Legs, Casters & Top Kit P/N 34832	BG3240 Double Oven Option Base w/6" Legs, Casters & Top Kit P/N 34833	BG3240 Triple Oven Option Base w/Casters & Top Kit P/N 51139
BG3240 Single Gas Oven	1	1		
BG3240 Double Gas Oven	2		1	
BG3240 Triple Gas Oven	3			1

PARTS LIST FOR SERIES BG3240 GAS OVEN INSTALLATION KIT P/N 51100 (Two required for double oven) (Three required for triple oven)

ITEM NO.	QTY	PART NO.	DESCRIPTION
1	1	22361-0001	FLEXIBLE GAS HOSE, 3/4" X 48"
2	1	55027	CONVEYOR END STOP
3	1	55028	CONVEYOR LEFT REAR STOP



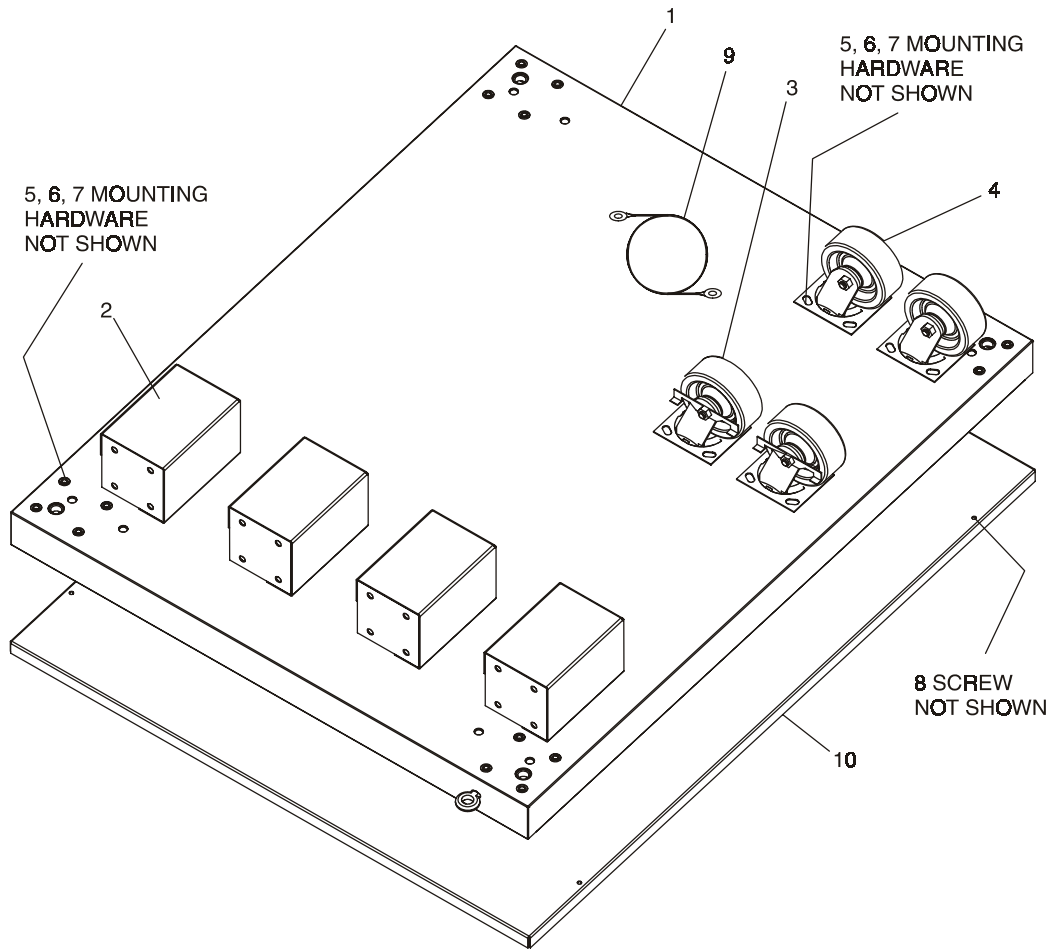
BG3240-Series Gas Oven Installation Parts



**Model BG3240 Single Oven
Option Base with Legs and Top**

PARTS LIST FOR BG3240 SERIES SINGLE OVEN OPTION - BASE w/15" LEGS & TOP P/N 34832

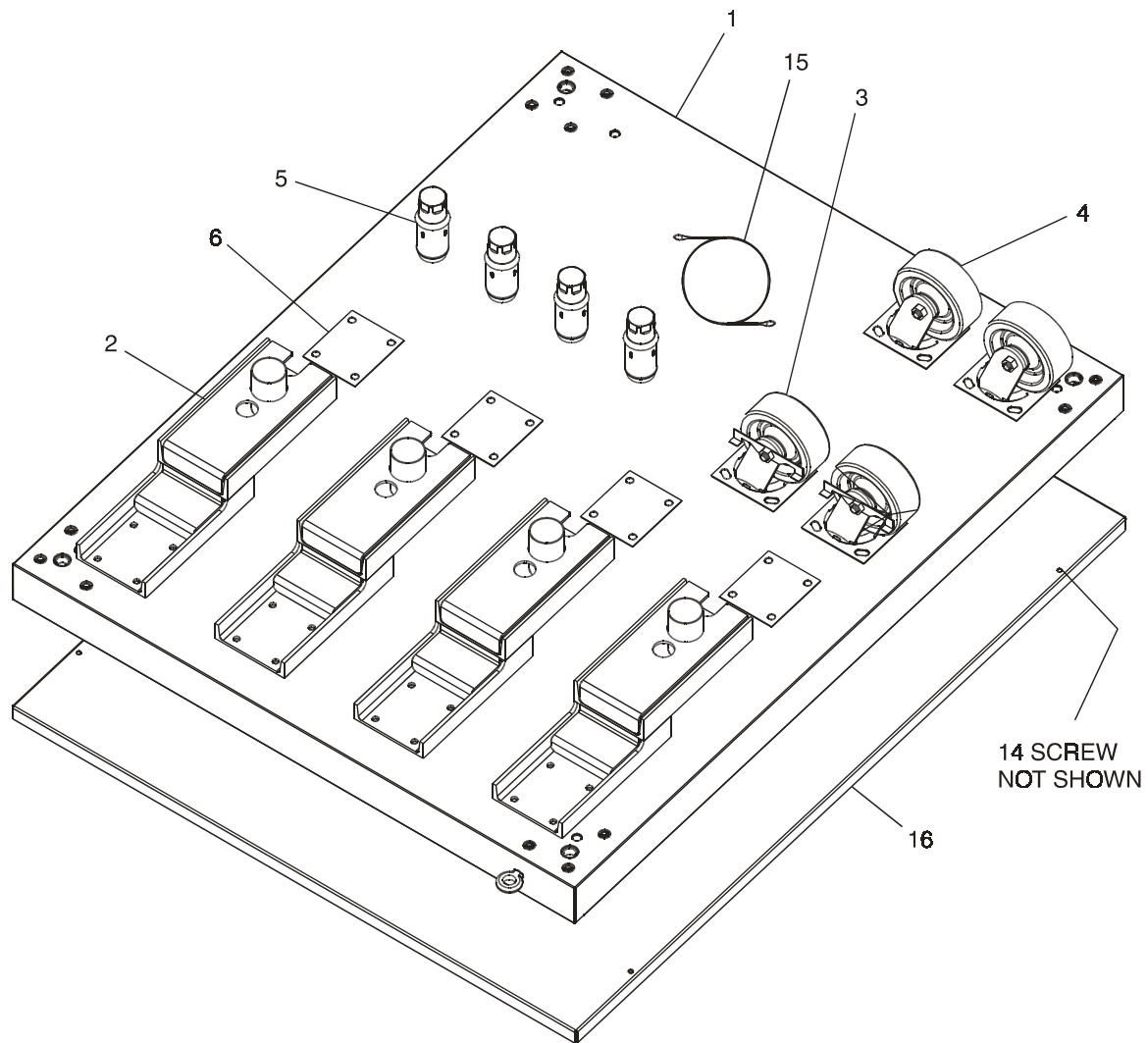
ITEM NO.	QTY	PART NO.	DESCRIPTION
1	1	54606	COMPLETE BASE WELDMENT
2	4	37900-0024	TOP PLATE, LEG WELDMENT, 15" TALL
3	2	22290-0009	SWIVEL CASTER W/BRAKE FLAT PLATE
4	2	22290-0010	SWIVEL CASTER FLAT PLATE
5	32	220373	3/8"-16 1" HEX SCREW, SST
6	32	21416-0001	3/8" FLAT WASHER, SS
7	32	21422-0001	3/8" SPLIT LOCK WASHER, ZP
8	4	21256-0008	SCREWS FOR TOP 10-32 3/8" 18-8, SL TRUS S
9	1	22450-0228	RESTRAINT CABLE ASSEMBLY
10	1	33486	TOP COVER



**Model BG3240 Double Oven
Option Base with Legs and Top**

PARTS LIST FOR BG3240 SERIES DOUBLE OVEN OPTION - BASE w/6" LEGS, CASTERS & TOP P/N 34833

ITEM NO.	QTY	PART NO.	DESCRIPTION
1	1	54606	COMPLETE BASE WELDMENT
2	4	37900-0102	TOP PLATE, LEG WELDMENT, 6" TALL
3	2	22290-0009	SWIVEL CASTER W/BRAKE FLAT PLATE
4	2	22290-0010	SWIVEL CASTER FLAT PLATE
5	32	220373	3/8"-16 1 HEX SCREW, SST
6	32	21416-0001	3/8" FLAT WASHER, SS
7	32	A11039	3/8" SPLIT LOCK WASHER, ZP
8	4	21256-0008	SCREWS FOR TOP 10-32 3/8" 18-8, SL TRUS S
9	1	22450-0228	RESTRAINT CABLE ASSEMBLY
10	1	33486	TOP COVER

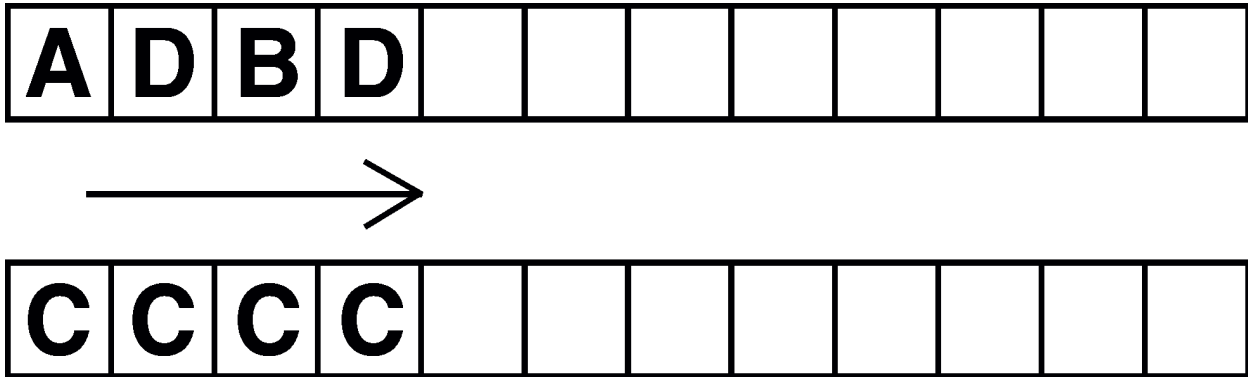


**Model BG3240 Triple Oven
Option Base with Outriggers and Top**

**PARTS LIST FOR BG3240 SERIES TRIPLE OVEN OPTION - BASE w/CASTERS & TOP
P/N 51139**

ITEM NO.	QTY	PART NO.	DESCRIPTION
1	1	54606	COMPLETE BASE WELDMENT
2	4	45209	QUAD OUTRIGGER WELDMENT
3	2	22290-0009	SWIVEL CASTER, W/BRAKE FLAT PLATE
4	2	22290-0010	SWIVEL CASTER, FLAT PLATE
5	4	45206	INSERT, QUAD ADJUSTMENT FOOT
6	4	45205	SPACER, QUAD CASTER
14	4	21256-0008	SCREWS FOR TOP 10-32 x 3/8" 18-8, SL TRUS S
15	1	22450-0228	RESTRAINT CABLE ASSEMBLY
16	1	33486	TOP COVER

STANDARD FINGER CONFIGURATION



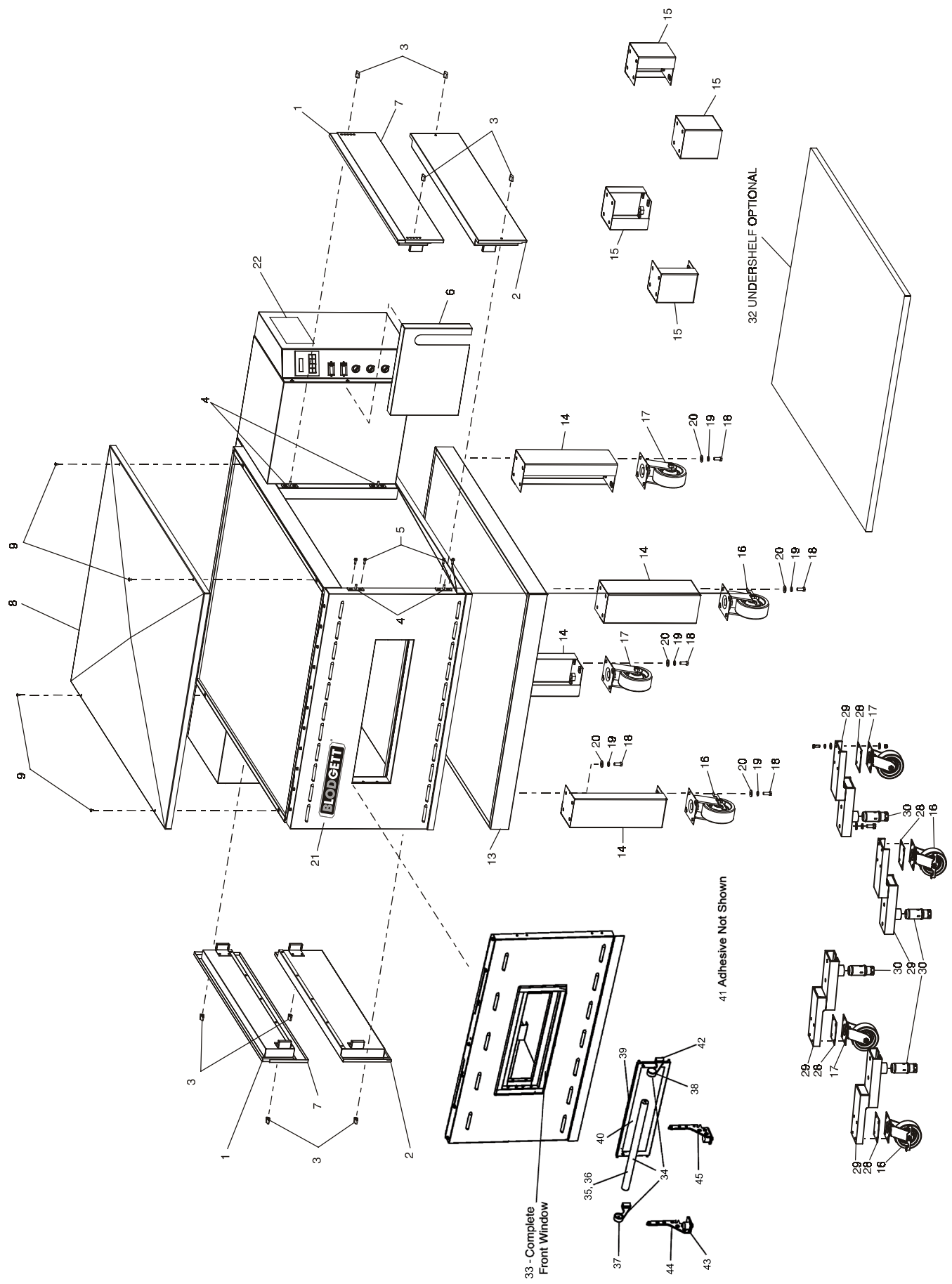
RT TO LT IS MIRROR IMAGE OF ABOVE FINGER CONFIGURATION
CONTROL T/C AVERAGING FROM ENTRANCE & EXIT SIDES

HERTZ	60	50
FAN RPM	2050	2040
KIT RPM	P/N 51077	P/N 51079

- A = 51020 PLATE, OUTER L67
50550 PLATE, INR/COL L6 ALUZ
42410-0199 ASSY, MANIFOLD W/PERF BAFFEL AL
- B = 51021 PLATE, OUTER L65
50550 PLATE, INR/COL L6 ALUZ
42410-0199 ASSY, MANIFOLD W/PERF BAFFEL AL
- C = 50551 PLATE, OUTER L6 GN
50553 PLATE, INR/COL L6 GN ALUZ
50227 ASSY, MANIFOLD L6GN PERF BAFFEL
- D = 35210-0536 PLATE, BLANK FULL ALUZ

50593 Rev. C

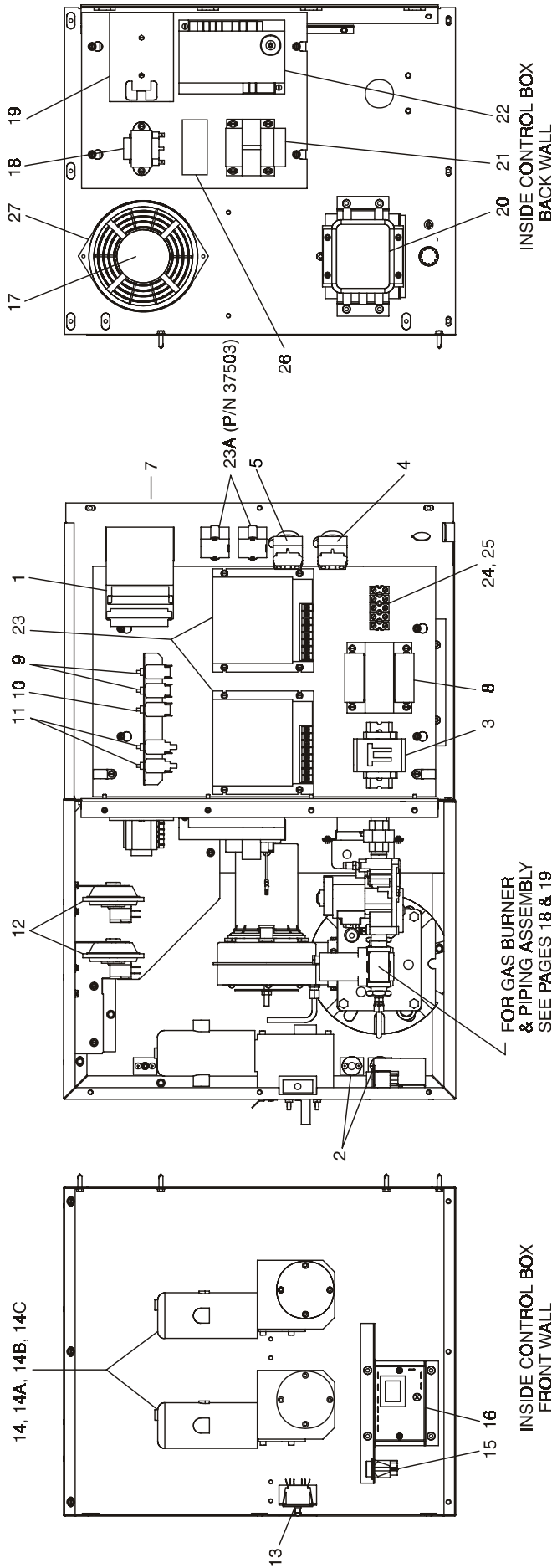
View of OVEN PANELS, WINDOW AND LEGS



Parts for OVEN PANELS, WINDOW AND LEGS

ITEM	QTY.	P/N	DESCRIPTION
1	2	49947	UPPER END PLUG ASSEMBLY, <i>INCLUDES ITEM 7</i>
2	2	49946	LOWER END PLUG ASSEMBLY
3	8	36452	WING NUT, PLASTIC 1/4-20
4	8	45449	END PLUG MOUNTING PLATE ASSEMBLY
5	16	21296-0005	SCREW, HEX WSHHD 12-14 x 3/4", SS BSD
6	1	51094	CONVEYOR CHAIN COVER
7	2	50637	EYEBROW, ADJUSTABLE
8	1	33486	COVER, TOP
9	4	21256-0008	SCREW, 10-32 x 3/8" 18-8 SL TRUS S
13	1	54606	COMPLETE BASE WELDMENT
14	4	37900-0024	LEG/TOP PLATE WELDMENT, 15" TALL
15	4	37900-0102	LEG 6≤H/TOP PLATE WELDMENT, 6" TALL
16	2	22290-0009	CASTER, SWVL W/BRAKE FLAT PLATE
17	2	22290-0010	CASTER SWVL FLAT PLATE
18	A/R	220373	SCREW, HEX HEAD, 3/8" - 16 x 1" SST
19	A/R	21422-0001	WASHER, LOCK SPLIT 3/8"
20	A/R	21416-0001	FLAT WASHER, 3/8" ZP
21	1	57399	NAME PLATE, BLODGETT
28	4	45205	QUAD CASTER SPACER
29	4	45209	QUAD OUTRIGGER WELDMENT
30	4	45206	QUAD ADJUSTMENT FOOT INSERT
31A	1	49975	CORD & PLUG, 6-20P, 6' LONG, U.S.
31B	1	49976	CORD OVERSEAS, CE
32	1	58705	UNDERSHELF (OPTIONAL)
33	1	51054	ASSEMBLY, WINDOW, w/HANDLE, ITEMS 1-10
34	1	51081	ASSEMBLY, HANDLE, ITEMS 3-6
35	1	M10092	HANDLE, OUTER
36	1	M10127	HANDLE, INNER THREADED
37	1	M1115	HANDLE, BRACKET (LEFT)
38	1	M1116	HANDLE, BRACKET (RIGHT)
39	1	51087	FRAME AND WINDOW, ITEMS 8-9
40	1	M10198	GLASS, 4.1" X 15.150"
41	1	M1965	ADHESIVE (NOT SHOWN)
42	2	M1118	SCREW - ATTACHES HANDLE
43	2	30927	BUMPER
44	1	51210	BRACKET, WINDOW HINGE (LEFT)
45	1	51211	BRACKET, WINDOW HINGE (RIGHT)

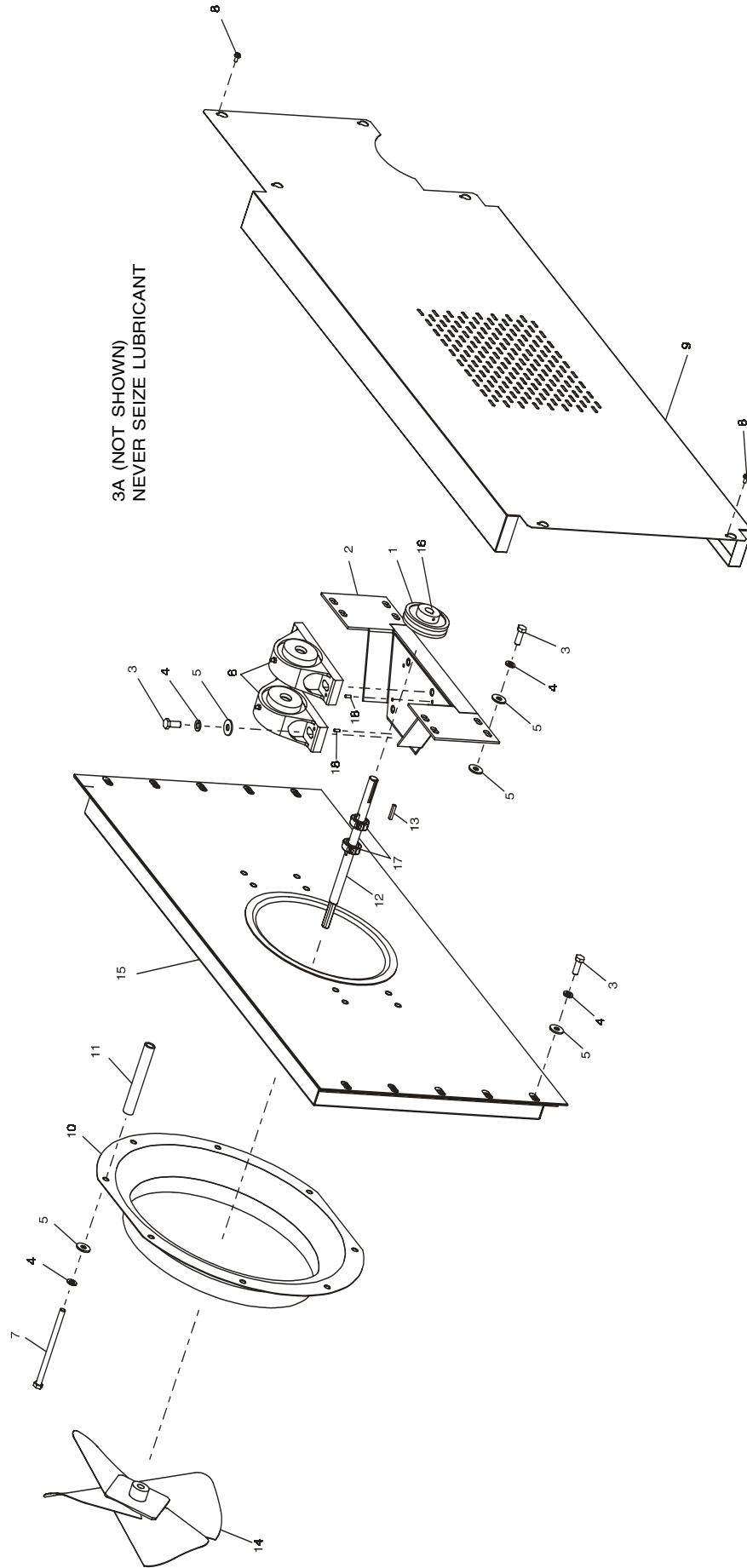
View of RIGHT-HAND CONTROL COMPARTMENT



Parts for RIGHT-HAND CONTROL COMPARTMENT

ITEM	QTY.	P/N	DESCRIPTION
1	1	58504	TEMPERATURE CONTROL
2	2	33812-3	THERMOCOUPLE, TYPE J SHIELDED 9.50 x 60"
3	1	28041-0011	CONTACTOR, 208/240V
4	1	46521	KIT, CONVEYOR SWITCH CONTAINS ((1) 44697, (1) 44696)
5	1	46522	KIT BLOWER/HEAT SWICH ((2) 44697, (1) 44696)
8	1	31504	TRANSFORMER, 230V (P)/120V (S) 200VA
9	2	45036	CIRCUIT BREAKER, 240V 3A
10	1	45644	CIRCUIT BREAKER, 240V 1A
11	2	46831	CIRCUIT BREAKER, 240V 8A
12	2	50610	AIR SWITCH, 0.16" WC
13	1	28021-0047	INTERLOCK SWITCH, 10A NO2P
14	A/R	47797	MOTOR, GEAR 1/50HP 1350:1, STANDARD
14A	A/R	47799	MOTOR, HIGH SPEED OPTION 311:1
14B	A/R	50265	SENSOR, PICKUP
14C	A/R	45017	KIT, BRUSHES, SPRINGS AND CAPS
15	1	35145	SWITCH, PB MOLVENO 250V, RESET, 1/30 HP, 311:1
16	1	33983	ELECTRIC HI-LIMIT CONTROL, 240V
17	1	36451	COOLING FAN, 230V AC
18	1	41872	TRANSFORMER, 240V (P)/24V (S) 25VA
19	1	31651	SIGNAL AMPLIFIER, 4-20VDC
20	1	33813	RFI FILTER, TYPE F1780DD20
21	1	32108	TRANSFORMER, 240V (P)/24V (S) 65VA
22	1	50239	SPARK IGNITION MODULE, 24VAC 50/60Hz
23	1(2)	58323	CONVEYOR SPEED CONTROL W/DIGITAL SPEED DISPLAY
23A	1(2)	37503	DIGITAL SPEED CONTROL (DISPLAY ONLY)
24	1	44390	TERMINAL BLOCK, MAIN POWER, 3-POLE, 50A, 600V
25	1	39258	TERMINAL BLOCK, MAIN POWER, 5-POLE, 50A, 600V
26	1	50794	RELAY, 24V, GAS TRAIN
27	1	31497	FINGER GUARD

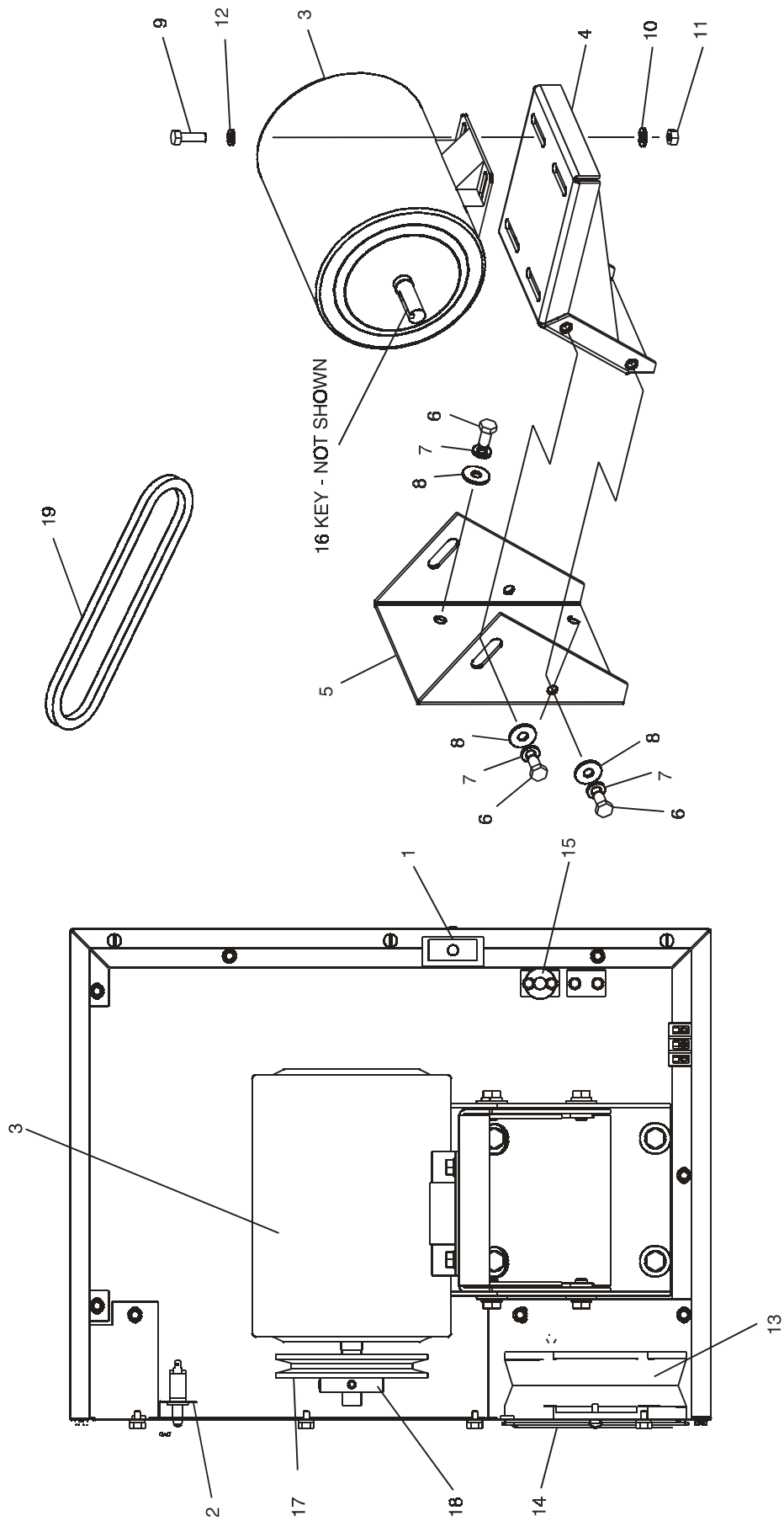
View of BLOWER AREA



Parts for BLOWER AREA

ITEM	QTY.	P/N	DESCRIPTION
1	1	51157	PULLEY, 1GRV 3.0PD AK32H, 3.25" DIA.
2	1	48855	WELDMENT, BRG BRACKET PS540G
3	22	220373	SCREW, HH 3/8" - 16 x 1" SS T
3A	A/R	17110-0017	NEVER SEIZE LUBRICANT - USED ON ITEMS 3 & 7 APPLIED TO THREADS BEFORE REINSTALLING
4	A/R	A11039	SPLIT LOCK WASHER 3/8" ZP
5	A/R	21416-0001	FLAT WASHER 3/8" SS
6	2	22072-0025	BEARING, PILLOW BLOCK 5/8"
7	8	21326-0002	SCREW, HX HD GRS 3/8" - 16 x 5-1/2"
8	6	2000203	SCREW, HX W/HD 10 - 32 x 3/8" ZC
9	1	48872	BACK WALL SHROUD
10	1	48803	AIR INLET RING
11	8	35900-0108	FAN ORIFICE STAND OFF TUBE
12	1	50643	FAN DRIVE SHAFT
13	1	21651-0010	KEY, SQ 3/16" x 3/16" x 1.00" STL
14	1	48862	AXIAL FAN, 14" DIAMETER
15	1	51110	INR/OTR BACK WELDMENT
16	1	50222	SPECIAL BUSHING, 5/8" ID - 3/16" x 3/32" KEY
17	2	35323	COUPLING, COLLAR SPLIT 5/8" DIAMETER
18	4	50271	ROLL PIN, PLN 5/32" x 7/16"

View of BLOWER/MOTOR COMPARTMENT

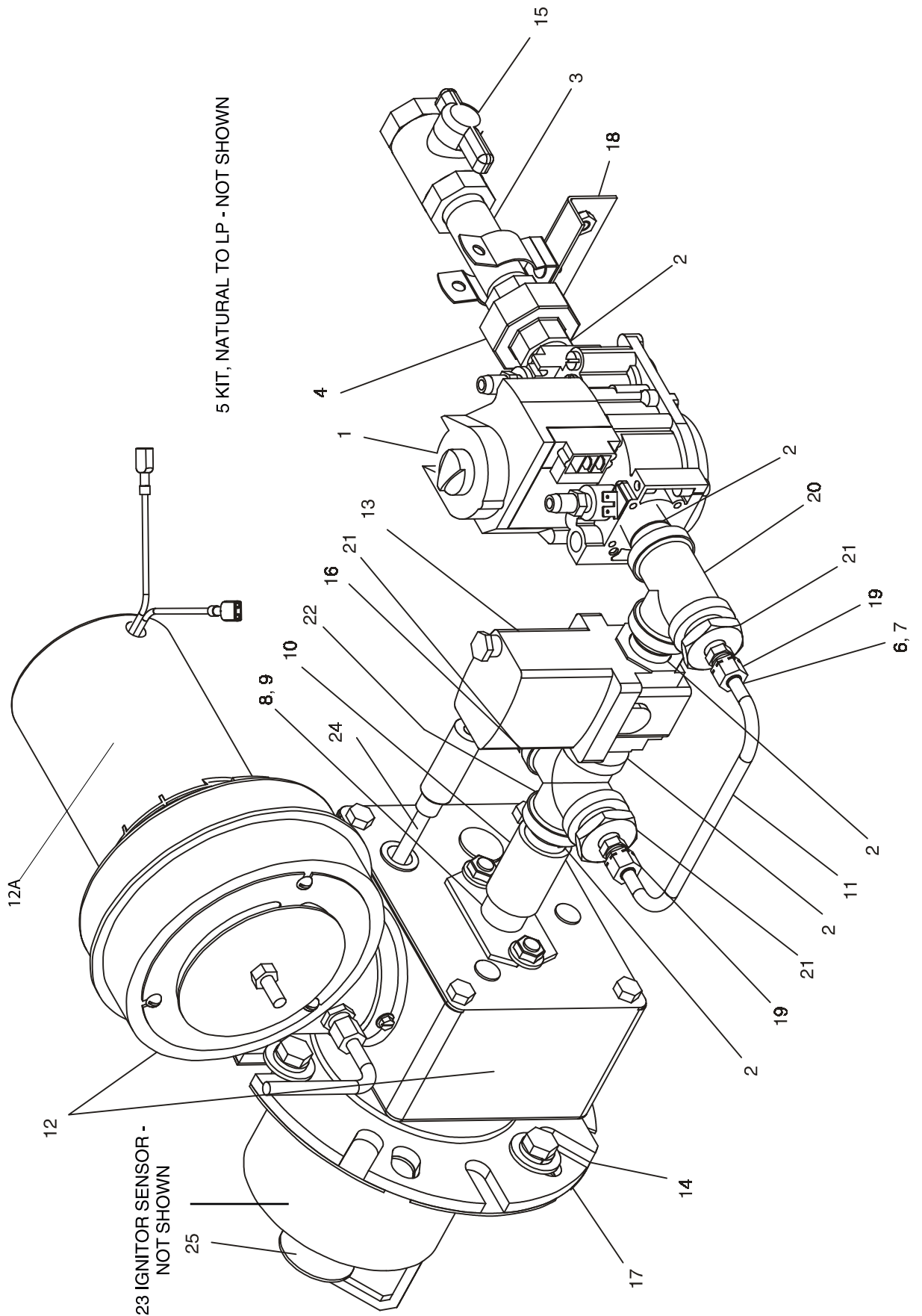


Parts for BLOWER/MOTOR COMPARTMENT

ITEM	QTY.	P/N	DESCRIPTION
1	1	28021-0047	INTERLOCKSWITCH10ANO2P
2	1	28021-0061	MOMENTARY SWITCH- 10ANO2POLE
3	1	44687	MOTOR 1/2HP
4	1	49953	MOTORMOUNTINGBRACKETWELDMENT
5	1	50449	MOTORSUPPORTBRACKET
6	8	1513D8805	SCREW, HEXHD 3/8"-16 x 3/4" - NP
7	8	21422-0001	LOCKWASHER, SPLIT 3/8" ZP
8	8	21416-0001	FLAT WASHER SS 3/8"
9	4	A3896	MACHINESCREW, HEX HD 5/16"-18 x 1" 18-8
10	4	3023A8807	FLAT WASHER 5/16" SAENP
11	4	21126-0004	HEXNUT SS 5/16-18
12	4	21421-0004	LOCKWASHER 5/16"
13	1	36451	COOLING FAN 230VAC
14	1	31497	FINGER COOLING FANGUARD
15	1	33812-3	THERMOCOUPLE, TYPE "J" SHIELDED 9.50 x 60" (TEMP CONTROL)
16	1	21651-0010	KEY - MOTOR, 3/16" X 3/16" X 1"
17	1	SEE CHART	MOTOR, PULLEY
18	1	SEE CHART	BUSHING, SPLIT
19	1	SEE CHART	BELT, GRIP NOTCH

RPM KIT P/N	HERTZ	MOTOR PULLEY W/SPLIT BUSHING	MTR PULLEY P/N SPLIT BUSH P/N	BELT SIZE DESCRIPTION	BELT P/N	RPM OF FAN
50545	50	AK51H PULLEY, 4.95" H 5/8 SPLIT BUSHING	51161 50222	AX63	34259	2300
51079	50	AK46H PULLEY, 4.45" H 5/8 SPLIT BUSHING	51160 50222	AX62	50584	2040
50544 STANDARD	60	AK44H PULLEY, 4.25" H 5/8 SPLIT BUSHING	51159 50222	AX61	50450	2300
51077 OPTIONAL SLOWBRAKE	60	AK39H PULLEY, 3.75" H 5/8 SPLIT BUSHING	51158 50222	AX61	50450	2050
51403	50	AK56H PULLEY, 5.45" H 5/8 SPLIT BUSHING	51404 50222	AX62	50584	2485

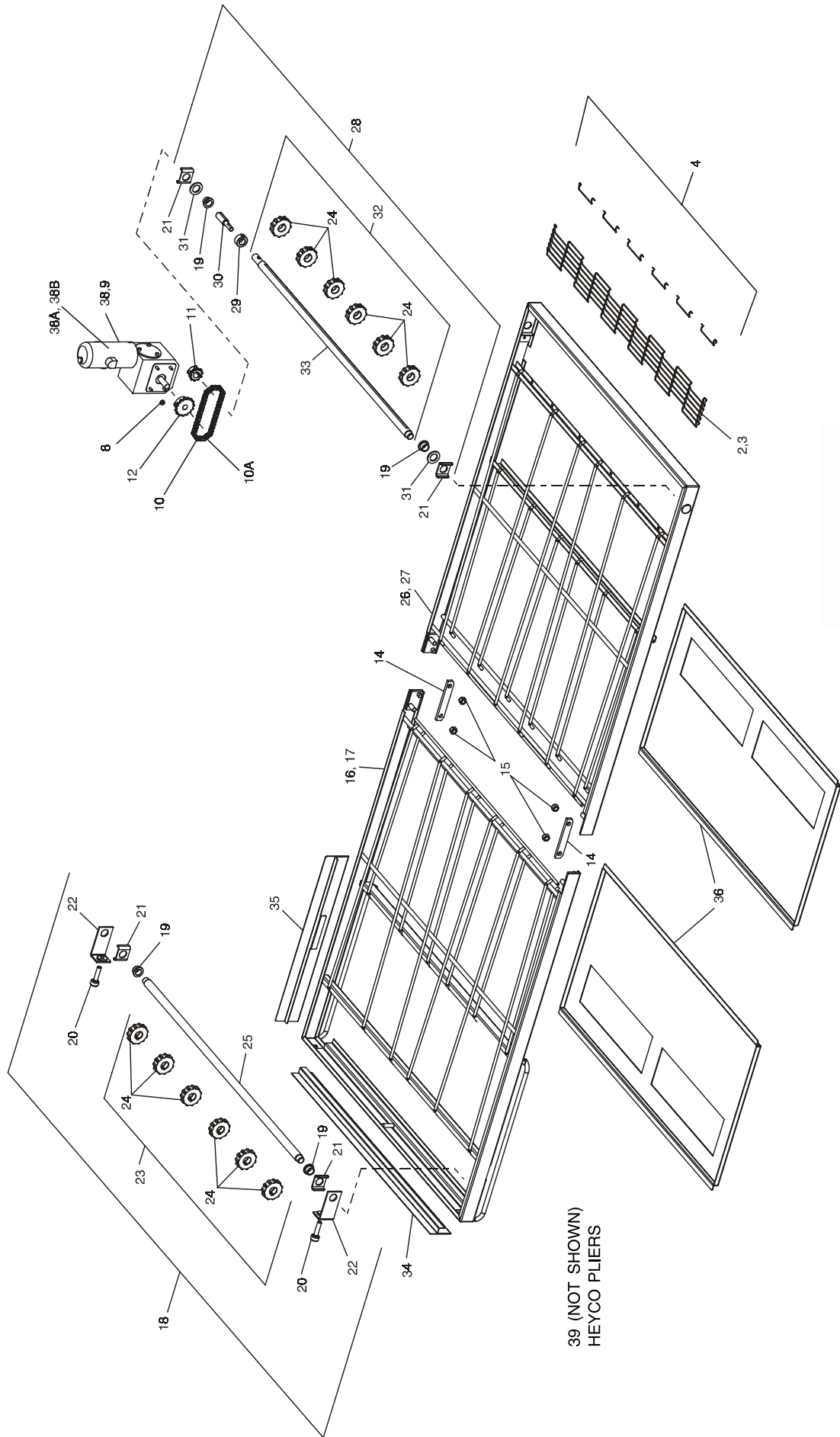
View of GAS BURNER AND PIPING ASSEMBLY



Parts for GAS BURNER AND PIPING ASSEMBLY

ITEM	QTY.	P/N	DESCRIPTION
1	1	50274	1/2" GAS CONTROL VALVE (Conversion Required for Propane)
1A	1	28092-0018	VALVE KIT CONVERT FROM NATURAL GAS TO PROPANE
1B	1	28092-0019	VALVE KIT CONVERT FROM PROPANE TO NATURAL GAS
2	5	23153-0004	1/2" CLOSE NIPPLE - BLK
3	1	23151-0032	1/2" x 3" NIPPLE - BLK
4	1	23051-0003	1/2" PIPE UNION
5	1	50543	NATURAL TO PROPANE CONVERSION KIT, PS540 (NOT SHOWN) (INCLUDES ITEMS 1A, 6 AND 9)
6	1	22174-0006	ORIFICE #53 DRILL BY-PASS - PROPANE (.059)
7	1	50273	ORIFICE #40 DRILL BY-PASS - NATURAL (.098)
8	1	50640	ORIFICE #43 DRILL, MAIN BURNER - NATURAL (.1935") PS540
9	1	50641	ORIFICE #30 DRILL, MAIN BURNER - PROPANE (.120") PS540
10	1	23015-0004	1/2" COUPLING NPT
11	1	50268	1/4" TUBE, BY-PASS
12	1	50275	GAS BURNER ASSEMBLY w/ BURNER/BLOWER MOTOR
12A	1	38811	BURNER/BLOWER MOTOR
13	1	41647	VALVE, MODULATING, 1/2"
14	1	22550-0006	FLANGE, BURNER
15	1	23115-0009	VALVE, GAS SHUTOFF 1/2"x 1/2"
16	1	30002	PLUG, 1/8 NPT
17	1	36937	GASKET
18	1	37000-0781	ASSY, PIPE CLAMP
19	2	44888	FITTING, COMPRESSION
20	1	45667	TEE, PIPE 1/2" x 1/2" x 1/2"
21	3	48742	BUSHING, REDUCER
22	1	50266	CROSS, PIPE 1/2" x 1/2"
23	1	55091	IGNITOR (SENSOR)
24	1	58827	IGNITION CABLE
25	1	58828	TARGET AND VENTURE
26	2	Contact Factory	PRESSURE TAP

View of "Single" Belt Conveyor

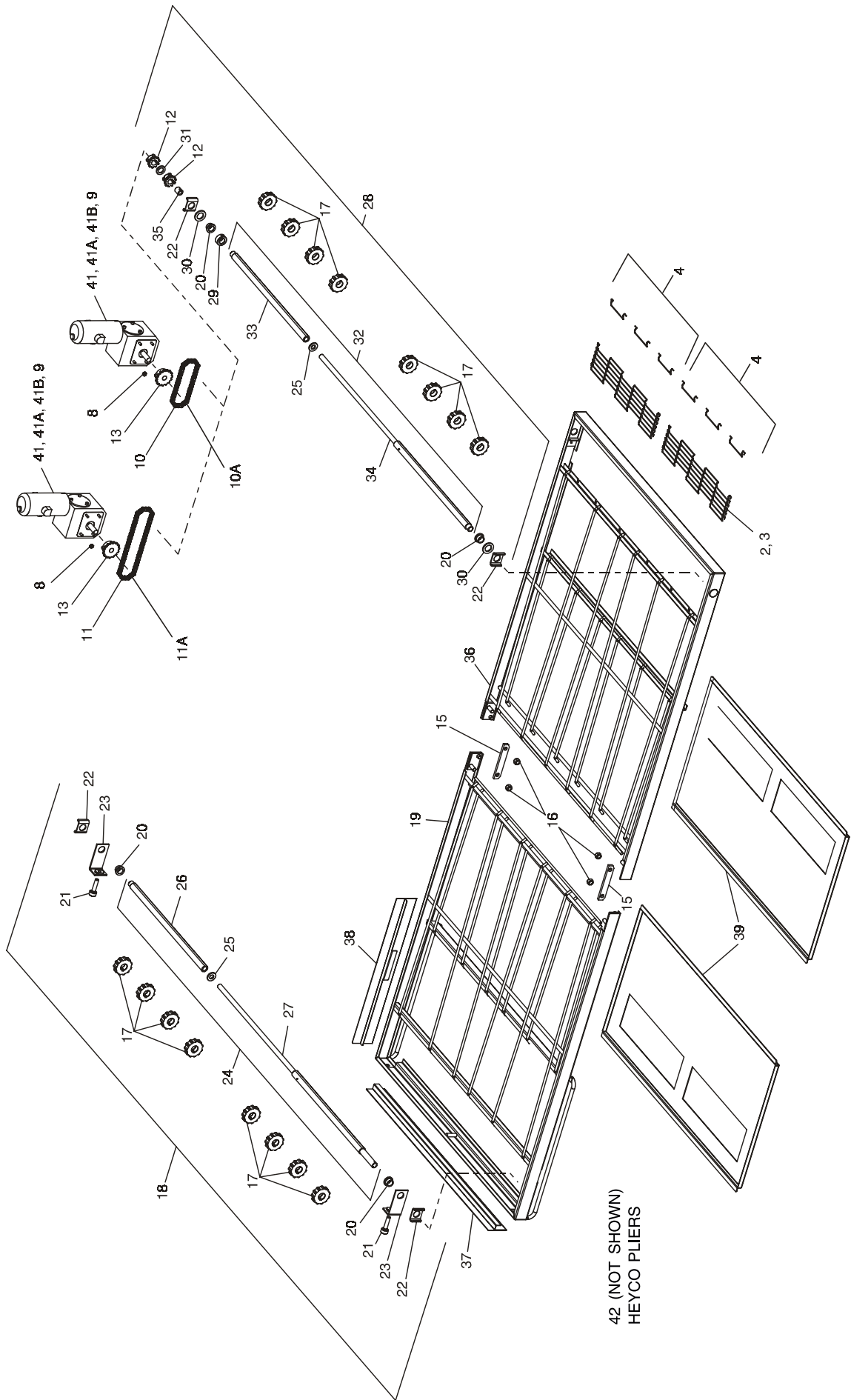


Parts for "Single" Belt Conveyor

ITEM	QTY.	P/N	DESCRIPTION
2	1	22450-0225	CONVEYORBELT, 1/2P 32" x 204" 2.84/11 S
3	AR	33900-0032	CONVEYOR CHAIN, SS WIRE 1 FT
4	1	51380	KIT, MASTER LINK, CONTAINS (1) 33900-0016, (4) 33900-0017, (1) 33900-0018
8	4	2001371	NUT, KEPS 10-32, ZP
9	1	50265	CONVEYOR CONTROL PICKUP KIT (NOT SHOWN)
10	1	49400-0050	ROLLER CHAIN ASSEMBLY, W/MASTER LINK
10A	1	22273-0002	MASTER LINK
11	1	22151-0002	SPROCKET, #35-10T-5/8"- SHAFT
12	1	22151-0003	SPROCKET, #35-15T-1/2"- MOTOR
14	2	35900-0398	PIVOT PLATE - CONVEYOR FRAME
15	4	21176-0002	LOCKNUT, HEX SS 3/8"-16
16	1	54975	CONVEYOR FRAME ASSEMBLY - IDLER INCLUDES ITEMS 17 & 18
17	1	54974	COMPLETE CONVEYOR FRAME WELDMENT - IDLER
18	1	54970	IDLER SIDE ASSEMBLY - CONVEYOR INCLUDES ITEMS 19, 20, 21, 22 & 23
19	4	22034-0003	BUSHING, FLANGE 3/4" OD, x 5/8" ID N/D
20	2	35000-1008	SCREW, ADJ - CONVEYOR IDLER
21	4	54947	CONVEYOR SHAFT SUPPORT BRACKET
22	2	37000-0413	IDLER SHAFT SUPPORT BRACKET
23	1	49400-0014	IDLER SHAFT ASSEMBLY INCLUDES ITEMS 24 & 25

ITEM	QTY.	P/N	DESCRIPTION
24	12	22229-0003	CONVEYOR DRIVE SPROCKET 2.0" OD W/SCREW
25	1	35000-1011	IDLER SHAFT - CONVEYOR
26	1	54961	CONVEYOR FRAME ASSEMBLY - DRIVE INCLUDES ITEMS 27 & 28
27	1	54960	COMPLETE CONVEYOR FRAME WELDMENT - DRIVE
28	1	54948	DRIVE SIDE ASSEMBLY - CONVEYOR INCLUDES ITEMS 19, 21, 29, 30, 31 & 32
29	1	22011-0013	SHAFT COLLAR W/SCREW
30	1	35000-1013	DRIVE SHAFT ADAPTER
31	2	35000-1080	NYLON SPACER 3/4" ID 1-1/4" OD
32	1	49400-0012	DRIVE SHAFT ASSEMBLY INCLUDES ITEMS 24 & 33
33	1	35000-1012	DRIVE SHAFT - CONVEYOR
34	1	55027	STOP, SIDE END CONVEYOR EXT
35	1	55028	STOP, BACK SIDE CONVEYOR EXT
36	2	35900-0255	CRUMB PAN W/SLOTS - CONVEYOR - STANDARD
38	1 OR 2	47797	MOTOR, GEAR 1/50HP 1350:1, STANDARD MOTOR
38A	1 OR 2	47799	MOTOR, GEAR 1/30HP 311:1, HIGH SPEED
38B	1 OR 2	45017	KIT, BRUSHES, SPRINGS, AND CAPS
39	1	50795	HEYCO PLIERS, REMOVES STRAIN RELIEF ON PICK-UP, GEAR MOTOR

View of "Split" Belt Conveyor - 50/50



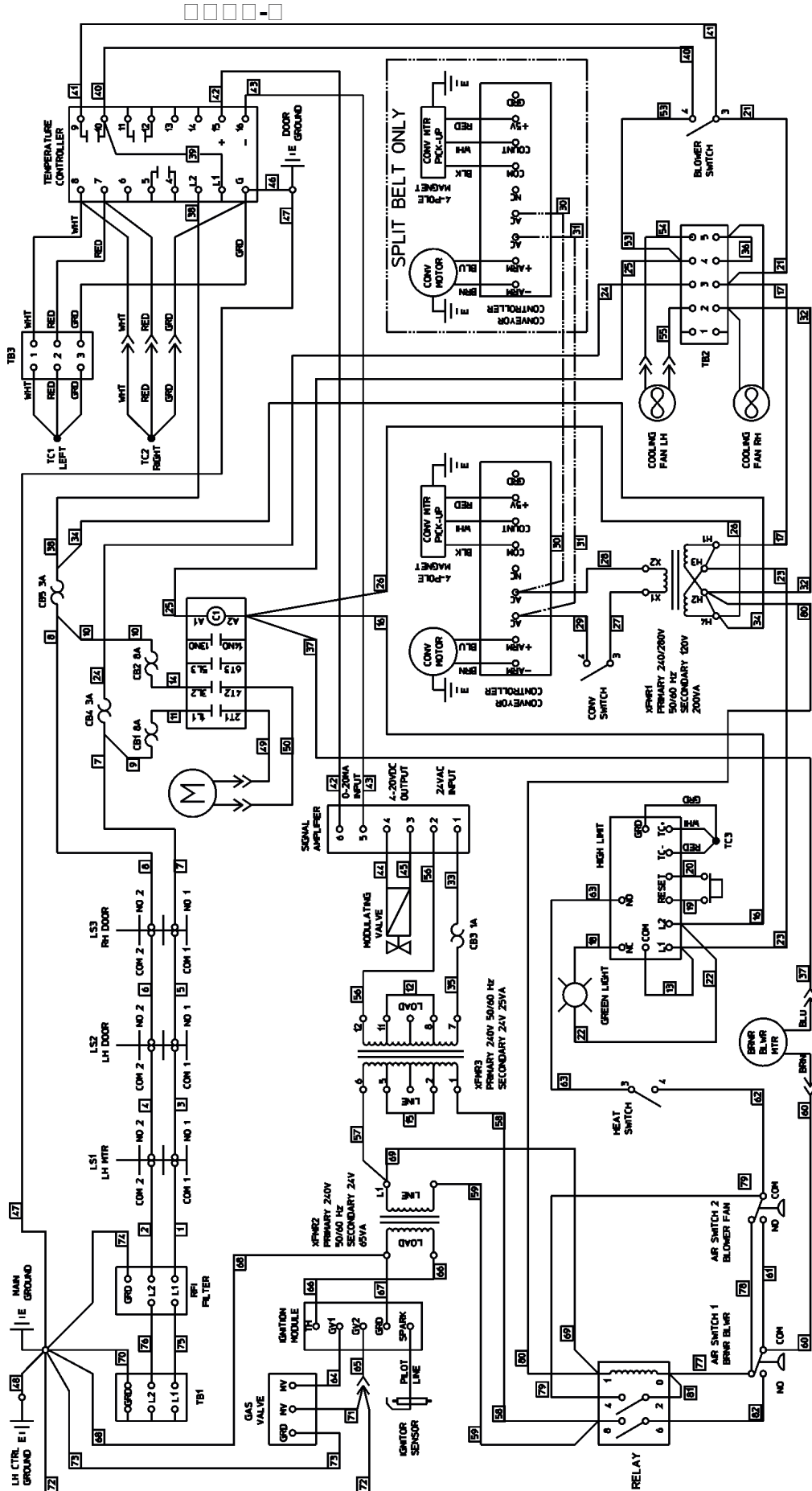
Parts for "Split"

ITEM	QTY.	P/N	DESCRIPTION
2	2	22450-0226	CONVEYOR BELT, 1/2P 15" x 146" 2.86/5 SP
3	A/R	33900-0037	CONVEYOR CHAIN, SS WIRE 1 FT
4	2	51382	KIT, MASTER LINK, CONTAINS (1) 33900-0016, (1) 33900-0017, (1) 33900-0018
8	8	2001371	NUT, KEPS 10-32, ZP
9	2	50265	CONVEYOR CONTROL PICKUP KIT (NOT SHOWN)
10	1	49400-0070	ROLLER CHAIN ASSEMBLY, SPB 15"
10A	1	22273-0003	MASTER LINK
11	1	49400-0051	ROLLER CHAIN ASSEMBLY, SPB 26-1/2"
11A	1	22273-0003	MASTER LINK
12	2	22159-0003	SPROCKET, #25-20T-5/8"-SHAFT
13	2	22159-0004	SPROCKET, #25-30T-1/2" - MOTOR
15	2	35900-0398	PIVOT PLATE - CONVEYOR FRAME
16	4	21176-0002	LOCK NUT, HEX SS 3/8"-16
17	16	22229-0003	CONVEYOR DRIVE SPROCKET 2.0" OD W/SCREW
18	1	54987	CONVEYOR FRAME ASSEMBLY - IDLER INCLUDES ITEMS 17, 19, 20, 21, 22, 23 & 24
19	1	54974	COMPLETE CONVEYOR FRAME WELDMENT - IDLER
20	4	22034-0003	BUSHING, FLANGE 3/4" OD, x 5/8" ID N/D
21	2	35000-1008	SCREW, ADJ - CONVEYOR IDLER
22	4	54947	CONVEYOR SHAFT SUPPORT BRACKET

Belt Conveyor - 50/50

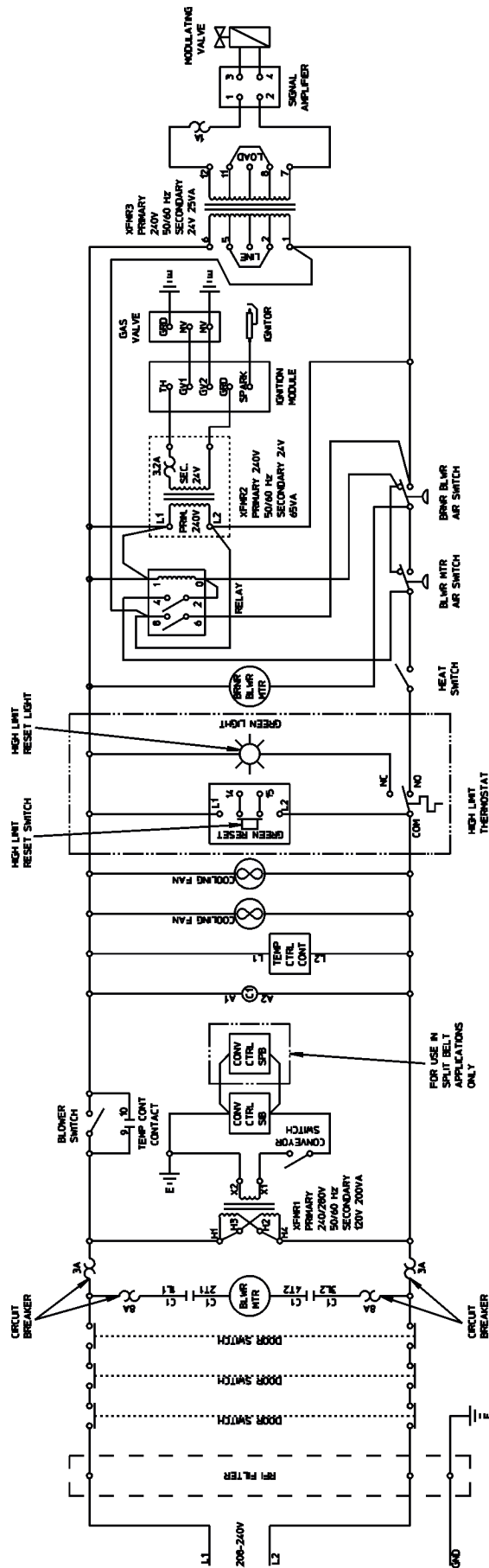
ITEM	QTY.	P/N	DESCRIPTION
23	2	37000-0413	IDLER WELDMENT
24	1	35525	IDLER SHAFT ASSEMBLY, SPB INCLUDES ITEMS 25, 26 & 27
25	2	21415-0001	FLAT WASHER, BRONZE
26	1	35000-1535	REAR CONVEYOR IDLER SHAFT, 16-3/8"
27	1	42400-0354	FRONT CONVEYOR IDLER SHAFT ASSEMBLY, 33"
28	1	54986	CONVEYOR FRAME-DRIVE ASSY, SPB INCLUDES ITEMS 12, 17, 20, 22, 29, 30, 31, 32, 35 & 36
29	1	22011-0014	SPLIT-SHAFT COLLAR
30	2	35000-1080	NYLON SPACER 3/4" ID 1-1/4" OD
31	1	35000-1531	NYLON SPACER
32	1	35524	DRIVE SHAFT ASSEMBLY, SPB INCLUDES ITEMS 33 & 34
33	1	35900-0022	REAR CONVEYOR DRIVE SHAFT, 17.62"
34	1	49400-0018	FRONT CONVEYOR DRIVE SHAFT, 35"
35	1	35900-0023	BUSHING, SPROCKET-FRONT DRIVE
36	1	54960	COMPLETE CONVEYOR FRAME- DRIVE WELDMENT
37	1	55027	STOP, SIDE END CONVEYOR EXT
38	1	55028	STOP, BACK SIDE CONVEYOR EXT
39	2	35900-0255	CRUMB PAN W/SLOTS - CONVEYOR
41	2	47797	MOTOR, GEAR 1/50HP 1350:1 (STD SPEED)
41A	2	47799	MOTOR, GEAR 1/30HP 311:1 (HIGH SPEED)
41B	2	45017	KIT, BRUSHES, SPRINGS, AND CAPS
42	1	50795	HEYCO PLIERS, REMOVES STRAIN RELIEF ON PICK-UP, GEAR MOTOR

Wiring Diagrams (electrical schematics)

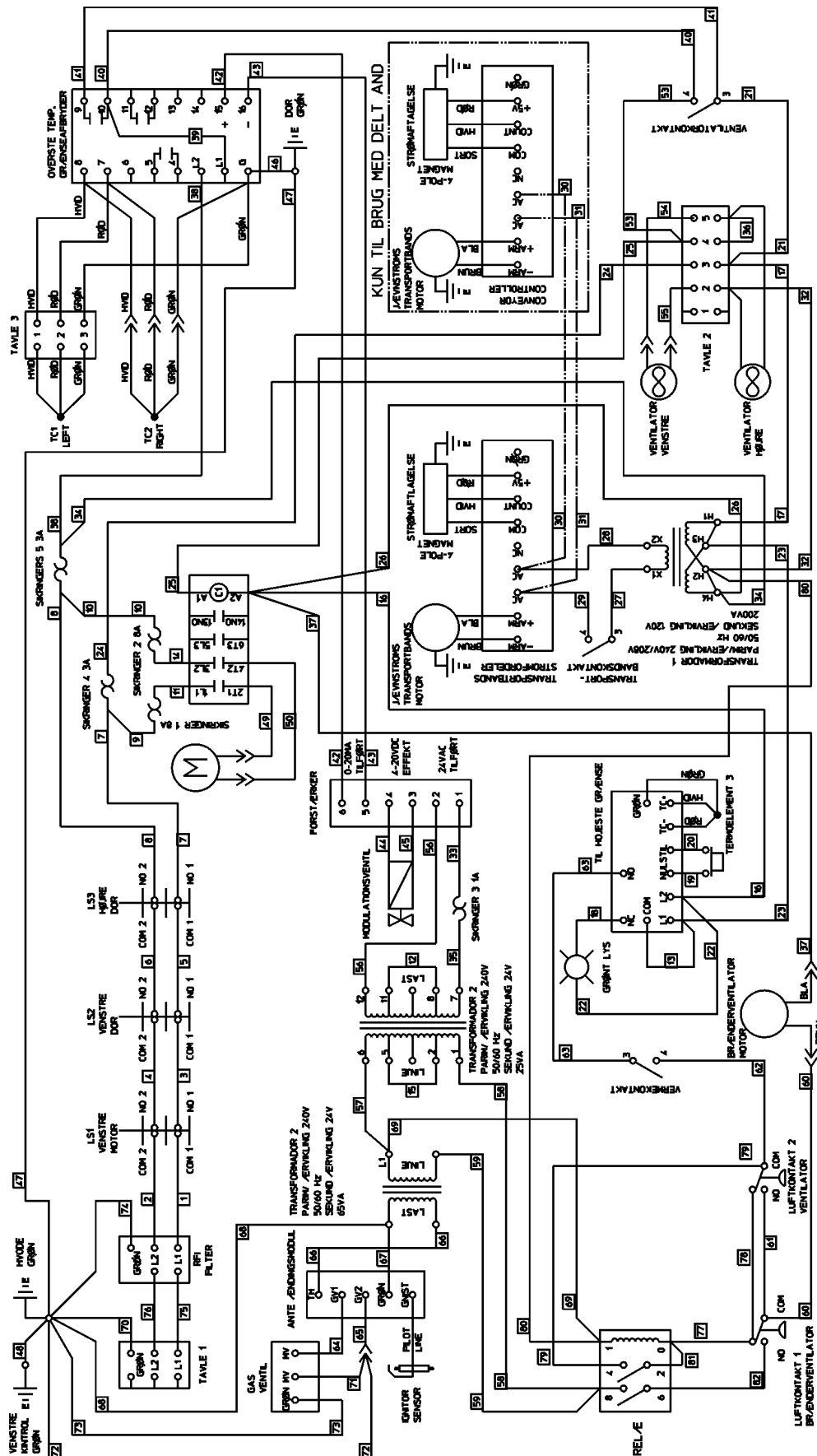


Blodgett BG3240 Wiring Diagram, 208-240 volt 50/60 Hz., 1-Phase 3W US/UK/CANADA

50141F2

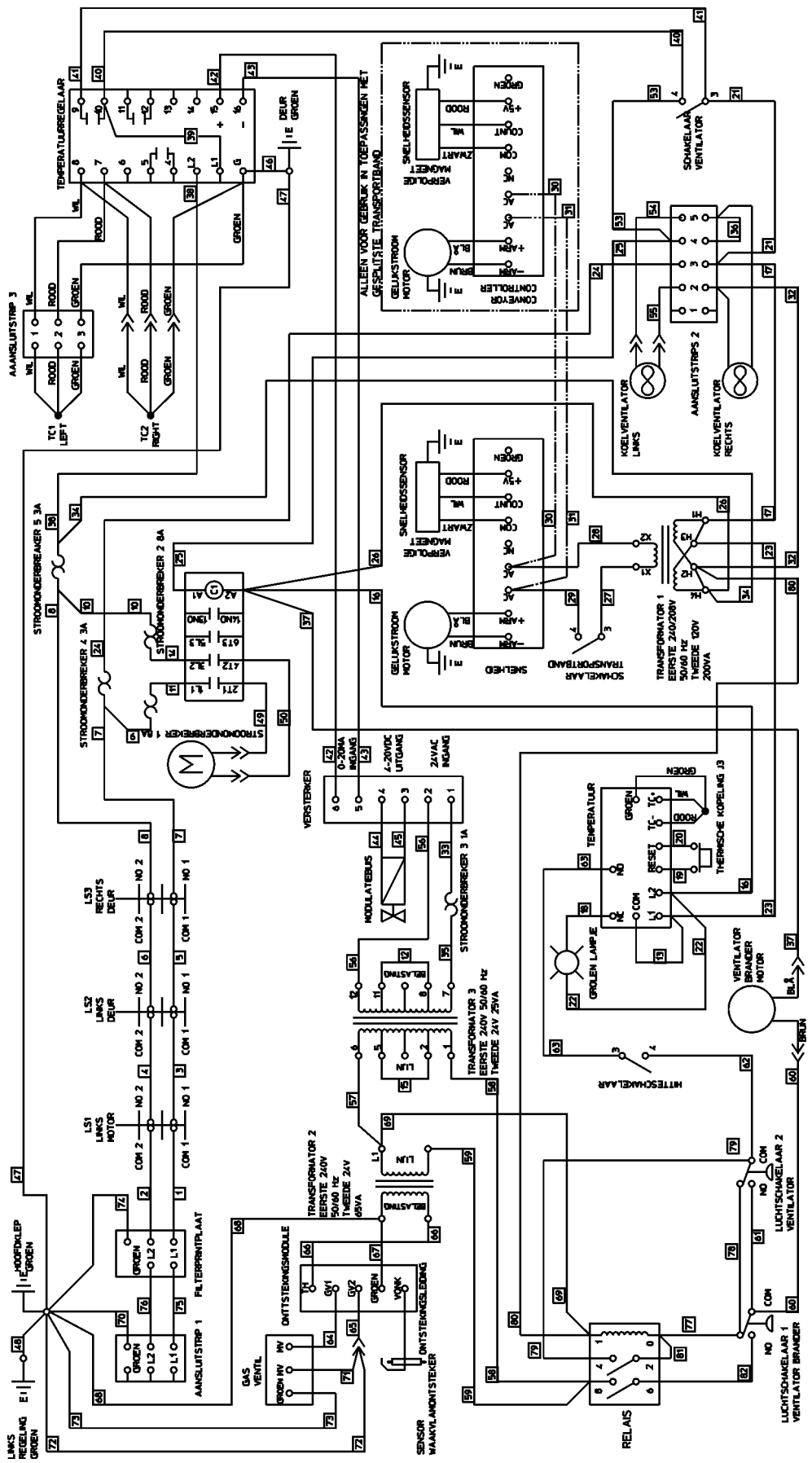


Blodgett BG3240 Ladder Wiring Diagram, 208-240 volt 50/60 Hz., 1-Phase 3W US/UK/CANADA 50141F1



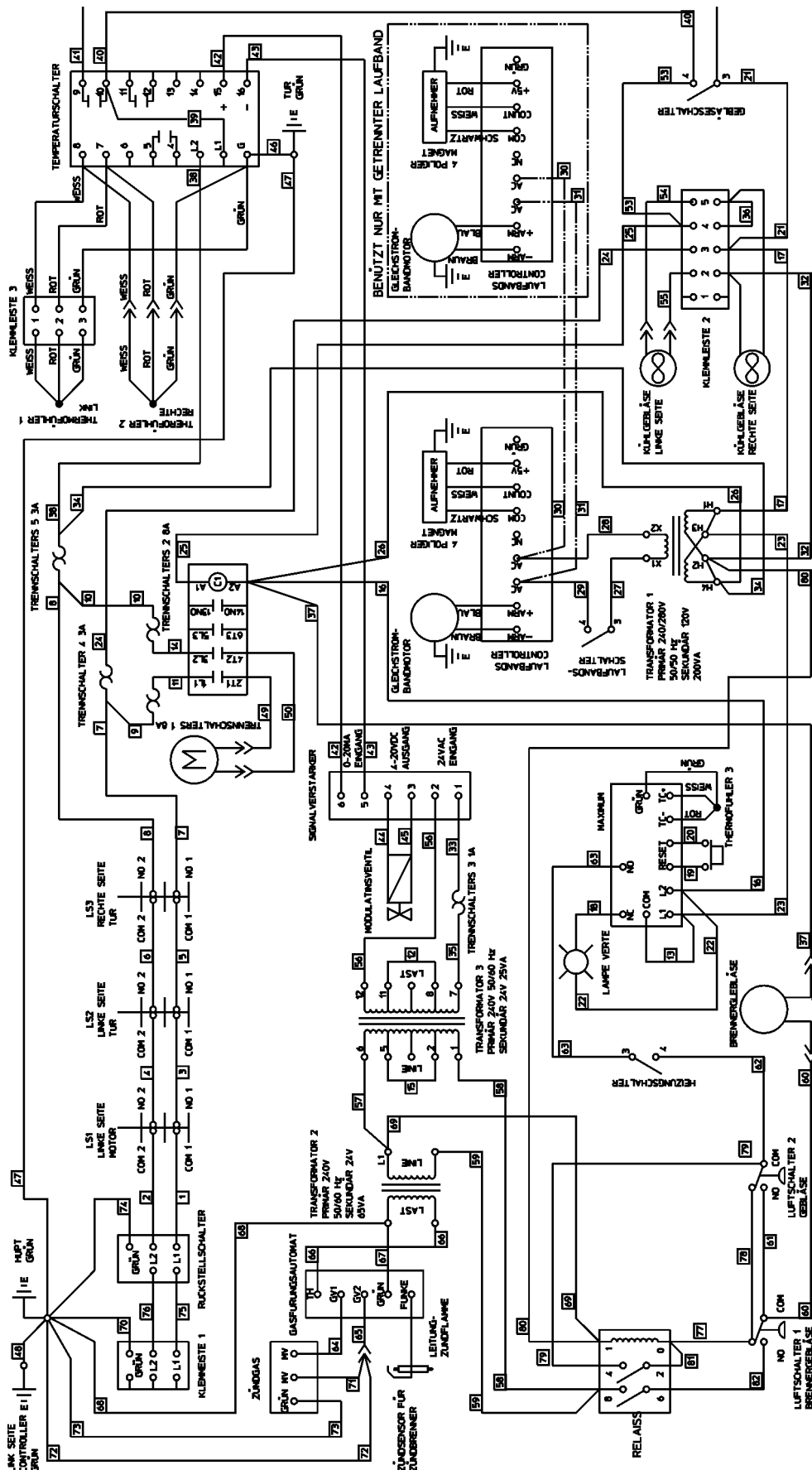
Blodgett BG3240 Wiring Diagram, 208-240 volt 50/60 Hz., 1-Phase 3W DN

52059D

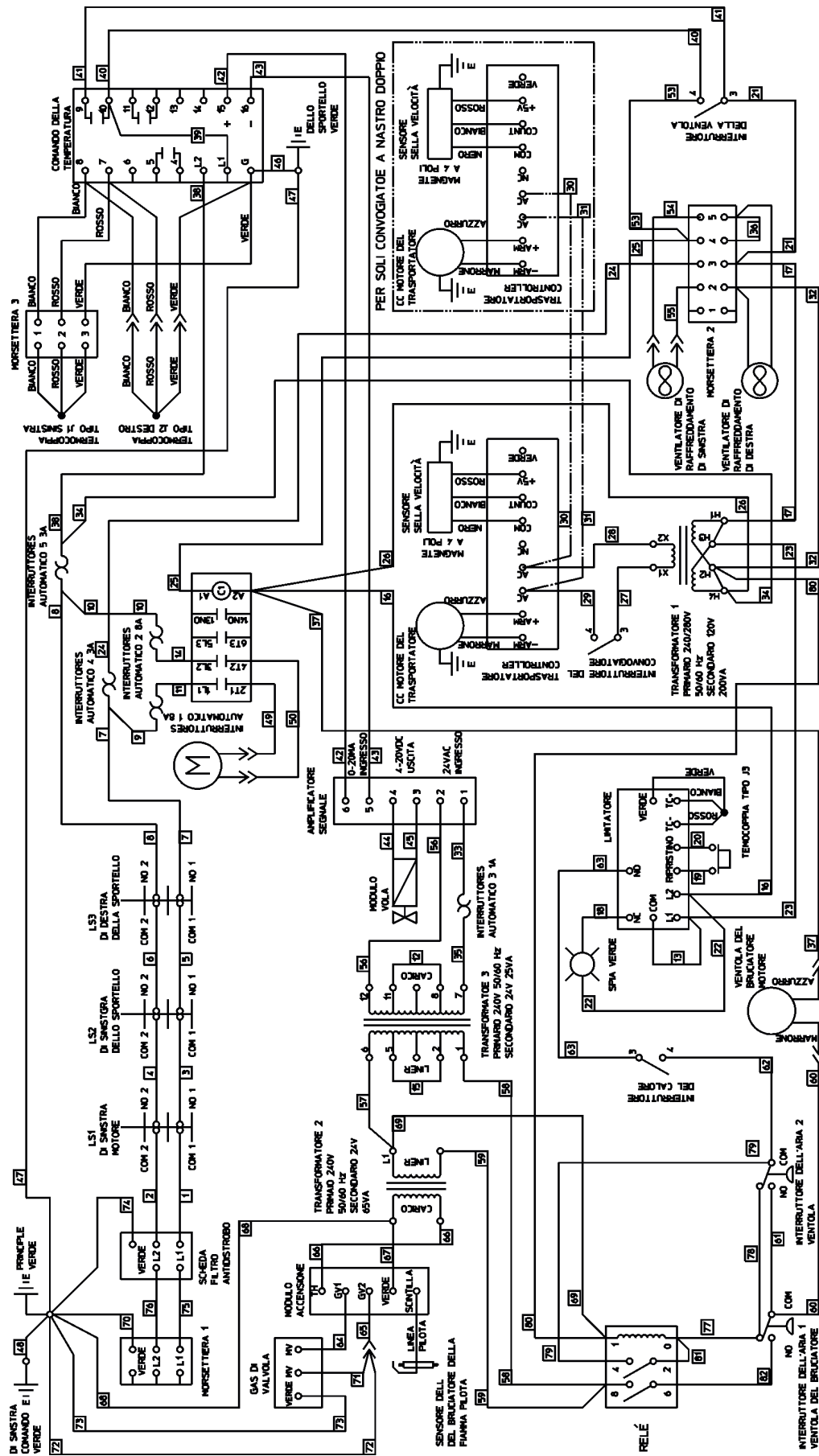


Blodgett BG3240 Wiring Diagram, 208-240 volt 50/60 Hz., 1-Phase 3W DUT

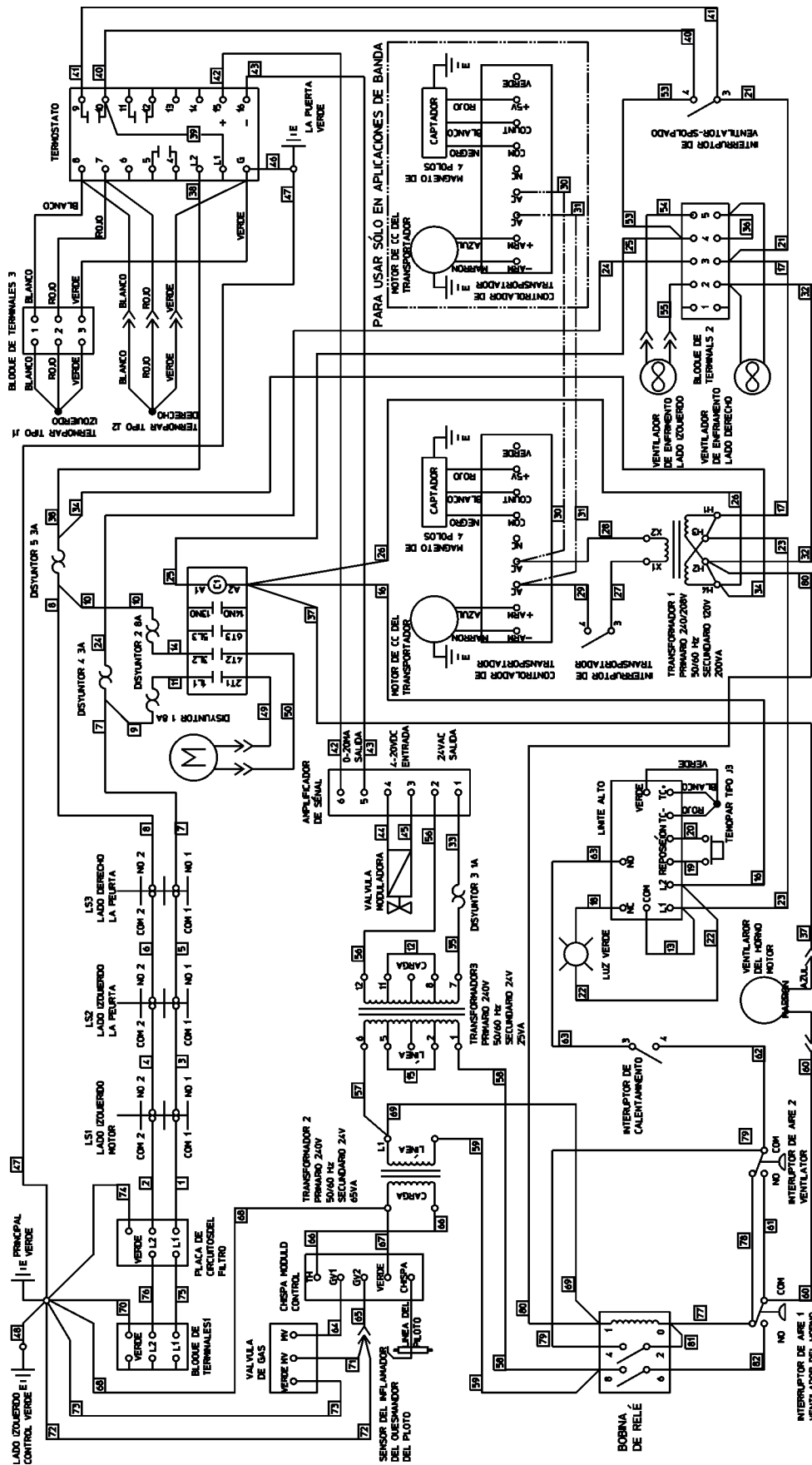
52065D



Blodgett BG3240 Wiring Diagram, 208-240 volt 50/60 Hz., 1-Phase 3W GM 52055D

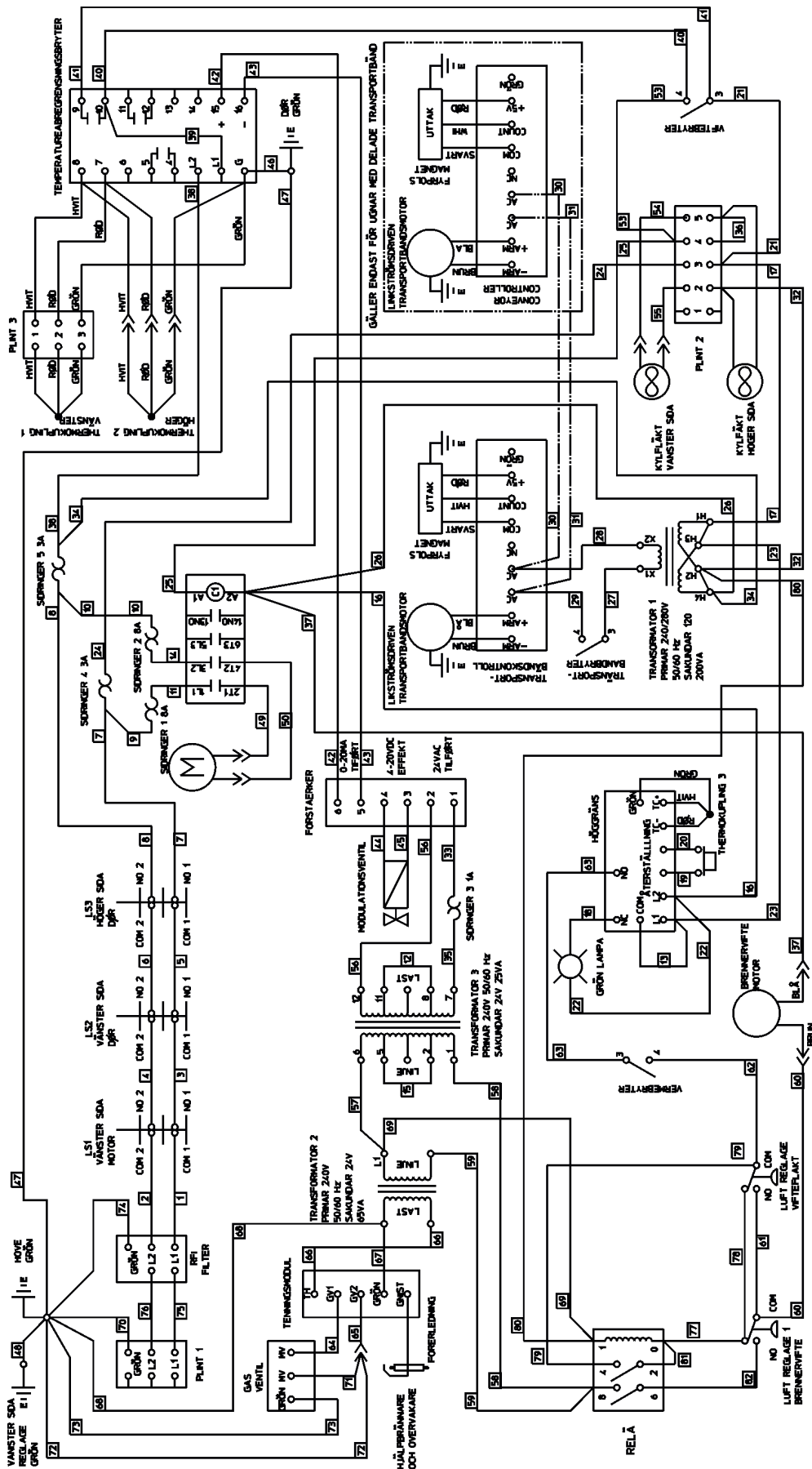


Blodgett BG3240 Wiring Diagram, 208-240 volt 50/60 Hz., 1-Phase 3W IT 52061D



52057D

Blodgett BG3240 Wiring Diagram, 208-240 volt 50/60 Hz., 1-Phase 3W SP



Blodgett BG3240 Wiring Diagram, 208-240 volt 50/60 Hz., 1-Phase 3W SW

52063D

Free Manuals Download Website

<http://myh66.com>

<http://usermanuals.us>

<http://www.somanuals.com>

<http://www.4manuals.cc>

<http://www.manual-lib.com>

<http://www.404manual.com>

<http://www.luxmanual.com>

<http://aubethermostatmanual.com>

Golf course search by state

<http://golfingnear.com>

Email search by domain

<http://emailbydomain.com>

Auto manuals search

<http://auto.somanuals.com>

TV manuals search

<http://tv.somanuals.com>