

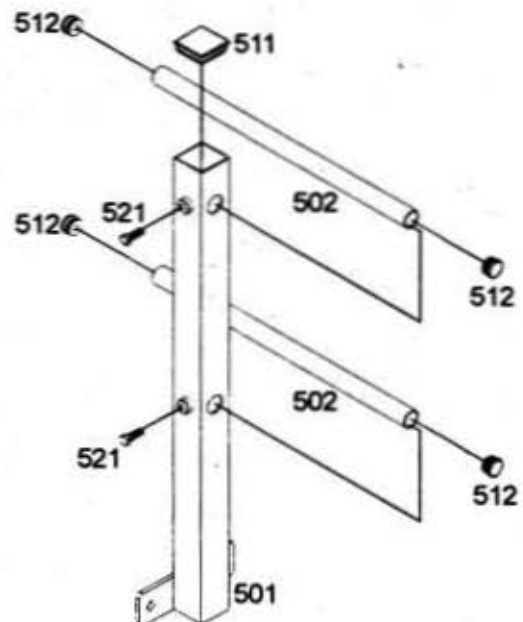
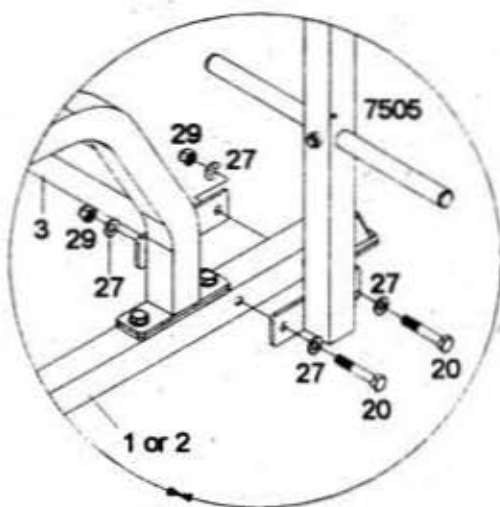
**ASSEMBLY INSTRUCTION MANUAL  
MODEL: F413 PLATE TREE ATTACHMENT**

**PARTS CHART**

<b>NO.</b>	<b>DESCRIPTION</b>	<b>QTY.</b>			
501	UPRIGHT FRAME	1			
502	WEIGHT HOLDER	2			
511	50 SQ. END PLUG	1			
512	1" ROUND PLUG	4			
521	3/8" X 1" HEX HEAD BOLT	2			

The Plate Tree attachment can attach to either side of the F410 Linear Smith.

1. Removed the two Bolts(20) attaching side Base Frame(1 or 2) to the Rear Stabilizer(3). Discard the Connect plate(14).
2. Insert Weight Holder(502) into the Upright Frame(501), then screw Hex Bolt(521) to hold the Weight holder(502).
3. Insert the Round Plug(512) into Weight Holder(502) and End Cap(511) into the Upright Frame(501). Spring Clip(513) is to hold the weights.



**Thank you for purchasing the Bodycraft Smith Attachment Strength Training System. If You have any questions, please call your local BodyCraft dealer or call our customer service department at 800-990-5556.**

## Free Manuals Download Website

<http://myh66.com>

<http://usermanuals.us>

<http://www.somanuals.com>

<http://www.4manuals.cc>

<http://www.manual-lib.com>

<http://www.404manual.com>

<http://www.luxmanual.com>

<http://aubethermostatmanual.com>

Golf course search by state

<http://golfingnear.com>

Email search by domain

<http://emailbydomain.com>

Auto manuals search

<http://auto.somanuals.com>

TV manuals search

<http://tv.somanuals.com>