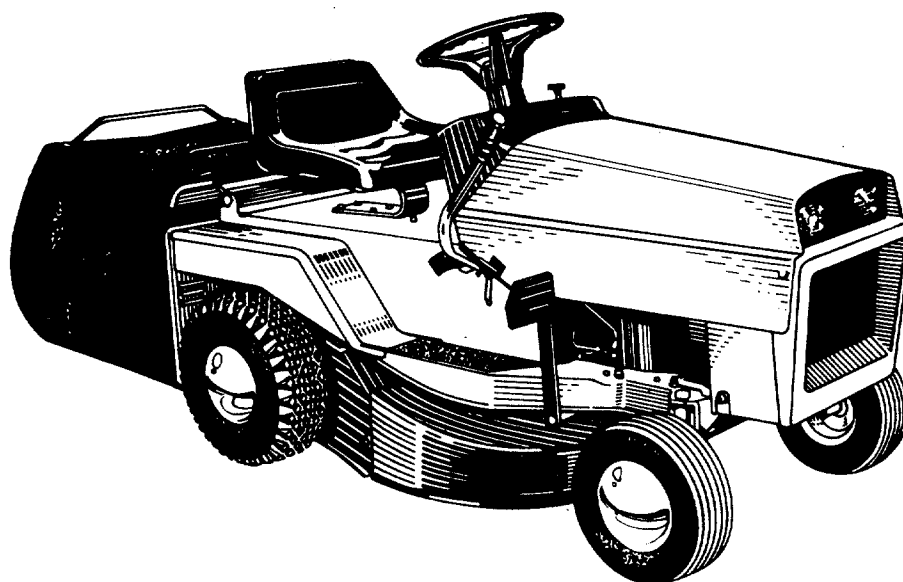


\$1.00

OWNER'S GUIDE

ASSEMBLY • OPERATION • MAINTENANCE • PARTS



**26" LAWN
TRACTOR**

**Model Number
130-527-000**

Important: Read Safety Rules and Instructions Carefully

PRINTED IN U.S.A.

FORM NO. 770-7210E

INDEX

Slope Gauge	3
Hardware Pack and Loose Parts	4
Safe Operation Practices	5
Assembly Instructions	6
Operation	11
Adjustments	13
Lubrication	15
Maintenance	16
Off-Season Storage	18
Trouble Shooting Chart	19, 20
Illustrated Parts for Lawn Tractor	21-27
Illustrated Parts for Transmission	28
Illustrated Parts for Differential	29
Illustrated Parts for Grass Catcher and Hitch Plate	30
Wiring Schematic	31

Dear Customer,

So often throughout the year we are all in a rush to meet our daily obligations.

However, we at MTD Products Inc are taking a quick moment out to say...

"Thank you for your business."

Sincerely,
MTD PRODUCTS INC



INSTRUCTIONS GIVEN WITH THIS SYMBOL ARE FOR PERSONAL SAFETY. BE SURE TO FOLLOW THEM.

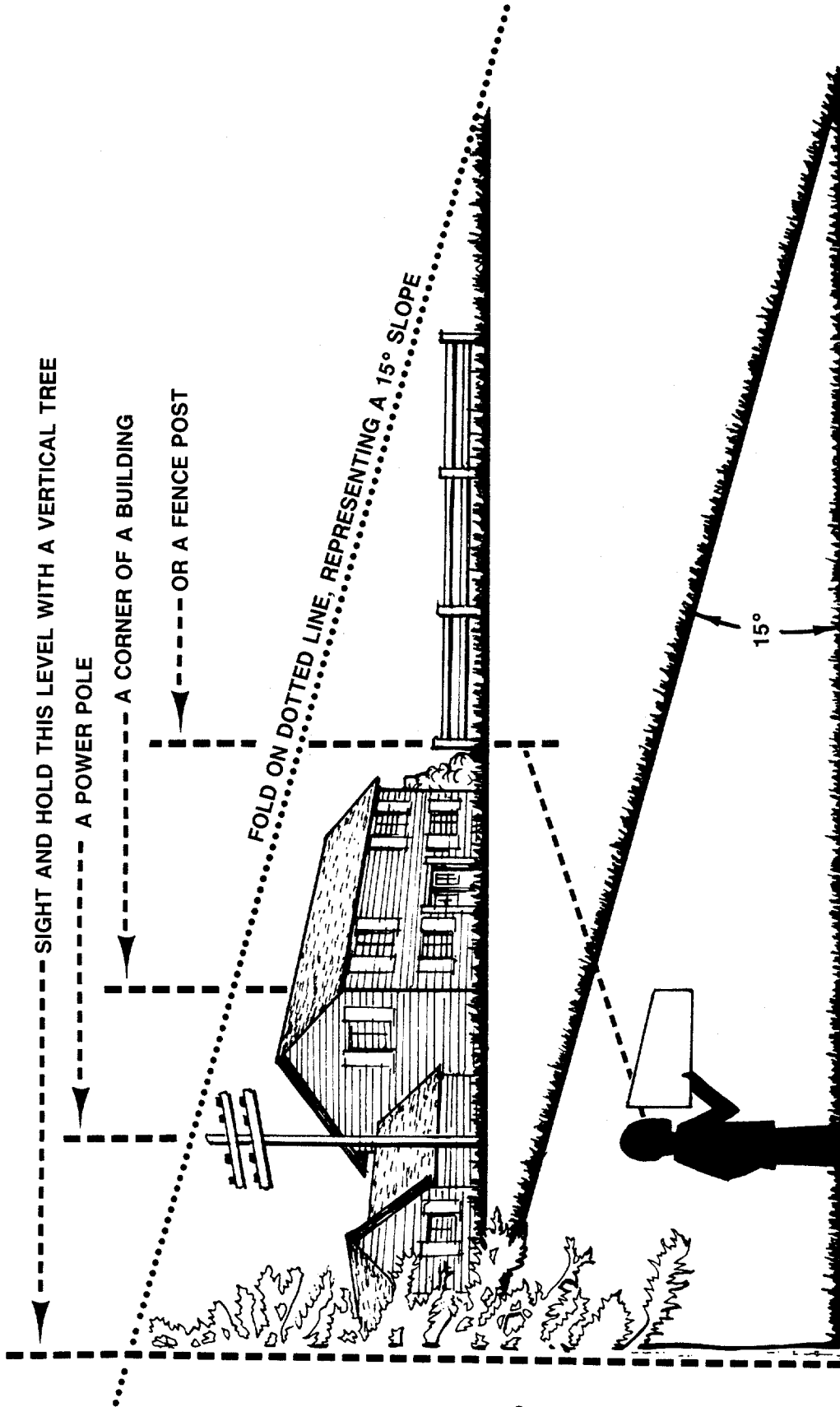
WARNING: This unit is equipped with an internal combustion engine and should not be used on or near any unimproved forest-covered, brush-covered or grass-covered land unless the engine's exhaust system is equipped with a spark arrester meeting applicable local or state laws (if any). If a spark arrester is used, it should be maintained in effective working order by the operator.

Cut Along this Line

USE THIS SHEET AS A GUIDE TO DETERMINE SLOPES WHERE YOU MAY NOT OPERATE SAFELY.

SLOPE GAUGE

(Keep this sheet in a safe place for future reference.)

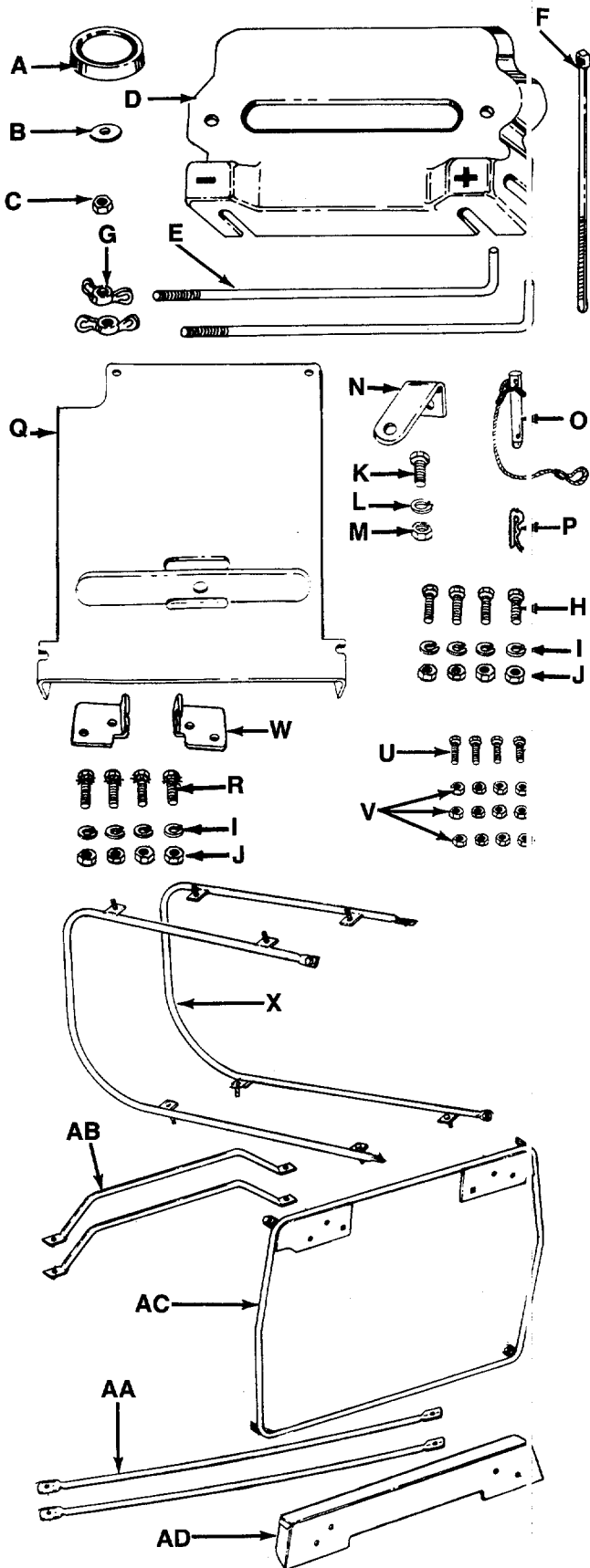


Do not mow on inclines with a slope in excess of 15 degrees (a rise of approximately 2½ feet every 10 feet). A riding mower could overturn and cause serious injury. If operating a walk-behind mower on such a slope, it is extremely difficult to maintain your footing and you could slip, resulting in serious injury.

Operate RIDING mowers up and down slopes, never across the face of slopes.

Operate WALK-BEHIND mowers across the face of slopes, never up and down slopes.

HARDWARE PACK AND LOOSE PARTS



Loose Parts in Carton:

- (1) Steering Wheel
- (1) Battery Pack
- (1) Carton with Grass Catcher, Hitch Plate and all Hardware which includes:

- A (1) Steering Wheel Cap
- B (1) Belleville Washer
- C (1) Hex Lock Nut 5/16-18 Thread
- D (1) Battery Cover
- E (2) Hold-Down Rods
- F (1) Cable Tie
- G (2) Wing Nuts
- H (4) Hex Bolts 5/16-18 x 3/4" Long
- I (8) Lock Washers 5/16" I.D.
- J (8) Hex Nuts 5/16-18 Thread
- K (1) Hex Bolt 3/8-16 x 1" Long
- L (1) Lock Washer 3/8" I.D.
- M (1) Hex Nut 3/8-16 Thread
- N (1) Hitch Bracket
- O (1) Hitch Pin
- P (1) Hairpin Cotter
- Q (1) Rear Hitch Plate
- R (4) Hex Sems Bolts 5/16-18 x 1" Long
- U (4) Hex Bolts 1/4-20 x 5/8" Long
- V (12) Hex Lock Nuts 1/4-20 Thread
- W (2) Hinges—Right and Left Hand
- X (2) Grass Catcher Side Frames—Right and Left Hand
- Y (1) Grass Bag (Not Shown)
- AA (2) Bottom Cross Braces
- AB (2) Catcher Handles
- AC (1) Frame Assembly
- AD (1) Dust Cover

IMPORTANT

RULES FOR SAFE OPERATION



THIS SYMBOL POINTS OUT IMPORTANT SAFETY INSTRUCTIONS WHICH, IF NOT FOLLOWED, COULD ENDANGER THE PERSONAL SAFETY AND/OR PROPERTY OF YOURSELF AND OTHERS. READ AND FOLLOW ALL INSTRUCTIONS IN THIS MANUAL BEFORE ATTEMPTING TO OPERATE YOUR UNIT. FAILURE TO COMPLY WITH THESE INSTRUCTIONS MAY RESULT IN PERSONAL INJURY. WHEN YOU SEE THIS SYMBOL—



HEED ITS WARNING.



DANGER

Your unit was built to be operated according to the rules for safe operation in this manual. As with any type of power equipment, carelessness or error on the part of the operator can result in serious injury. If you violate any of these rules, you may cause serious injury to yourself or others.

1. READ THIS OWNER'S MANUAL carefully in its entirety before attempting to assemble or operate this unit. Keep this manual in a safe place for future and regular reference and for ordering replacement parts.
2. This unit is a precision piece of power equipment, not a plaything. Therefore exercise extreme caution at all times.
3. Know the controls and how to stop the machine quickly.
4. Do not allow children to operate vehicle. Do not allow adults to operate it without proper instruction. Only persons well acquainted with these rules of safe operation should be allowed to use your mower.
5. Wear sturdy, rough-soled work shoes and close-fitting slacks and shirts to avoid entanglement in the moving parts. Never operate a unit in bare feet, sandals, or sneakers.
6. To prevent injury, do not carry passengers or give rides. Keep children, pets and bystanders out of the area while mowing. Only the operator should ride on the unit and only ride in the seat.
7. Check overhead clearance carefully before driving under power lines, guy wires, bridges or low hanging tree branches, before entering or leaving buildings, or in any other situation where the operator may be struck or pulled from the unit, which could result in serious injury.
8. To maintain control of the unit and reduce the possibility of upset or collision, operate the tractor smoothly. Avoid erratic operation and excessive speed.
9. Keep the area of operation clear of all persons, particularly small children and pets. Stop engine when they are in the vicinity of your mower. Although the area of operation should be completely cleared of foreign objects, a small object may have been overlooked and could be accidentally thrown by the mower in any direction and cause injury to you or a bystander.
10. Always wear safety glasses or eye shields during operation or while performing an adjustment or repair, to protect eyes from foreign objects that may be thrown from the machine in any direction.
11. Stop the blade(s) when crossing gravel drives, walks or roads.
12. Disengage all attachment clutches and shift into neutral before attempting to start engine.
13. Before leaving the operator's position, disengage blade(s), place shift lever in neutral, engage parking brake, shut engine off and remove key.
14. Do not put hands or feet near or under rotating parts. Keep clear of the discharge opening at all times as the rotating blade(s) can cause injury.
15. Disengage power to attachment(s) and stop engine before making any repairs or adjustments. Disconnect the spark plug wire and keep the wire away from the plug to prevent accidental starting.
16. Before attempting to unclog the mower or discharge chute, stop the engine. The mower blade(s) may continue to rotate for a few seconds after the engine is shut off. Therefore, be sure the blade(s) have stopped completely. Disconnect the spark plug wire and keep the wire away from the plug to prevent accidental starting.
17. Disengage power to attachment(s) when transporting or not in use.
18. For your safety, use the slope gauge included as part of this manual to measure slopes before operating this unit on a sloped or hilly area. If the slope is greater than 15° as shown on the slope gauge, do not operate this unit on that area or serious injury could result.
19. Do not stop or start suddenly when going uphill or downhill. Mow up and down face of steep slopes; never across the face. Use extreme caution if it is necessary to drive the tractor up an incline or back the tractor down an incline because the front of the tractor could lift and rapidly flip over backward which could cause serious injury.
20. Reduce speed on slopes and in sharp turns to prevent tipping or loss of control. Always keep the tractor in low gear when going down steep hills to take advantage of engine braking action. Choose a low enough gear so that you will not have to stop or shift while on the slope.
21. Stay alert for holes in terrain and other hidden hazards which may cause the unit to tip over.
22. Use care when pulling loads or using heavy equipment.
 - A. Use only approved drawbar hitch points.
 - B. Limit loads to those you can safely control.
 - C. Do not turn sharply. Use care when backing.
 - D. Use counterweight(s) or wheel weights when suggested in owner's manual.
23. Watch out for traffic when crossing or near roadways.
24. When using any attachments, never direct discharge of material toward bystanders nor allow anyone near vehicle while in operation.
25. Handle gasoline with care. It is highly flammable.
 - A. Use approved gasoline container.
 - B. Never remove cap or add gasoline to a running or hot engine or fill fuel tank indoors. Wipe up spilled gasoline. Always use original type vented cap.
 - C. Open doors if engine is run in garage. Exhaust fumes are dangerous. Do not run engine indoors.
26. Never store the machine with fuel in the fuel tank inside a building where ignition sources are present, such as hot water and space heaters, clothes dryers, and the like. Allow the engine to cool before storing in any enclosure.
27. To reduce fire hazard, keep engine and cutting deck free of grass, leaves or excessive grease.
28. Keep the vehicle and attachments in good operating condition, and keep safety devices in place. Use guards as instructed in operator's manual.
29. Keep all nuts, bolts, and screws tight to be sure the equipment is in safe working condition.
30. The vehicle and attachments should be stopped and inspected for damage after striking a foreign object. The damage should be repaired before restarting and operating the equipment.
31. Do not change the engine governor settings or overspeed the engine.

Rules for Safe Operation (continued)

32. When using the vehicle with mower, proceed as follows:
 - (1) Mow only in daylight or in good artificial light.
 - (2) Never make a cutting height adjustment while engine is running if operator must dismount to do so.
- (3) Shut the engine off and wait until the blade comes to a complete stop before removing the grass catcher.
- (4) Check blade mounting bolts for proper tightness at frequent intervals.
33. Check grass catcher bags frequently for wear or deterioration. For safety protection, replace only with new bag meeting original equipment specifications.
34. Look behind to make sure the area is clear before placing the transmission in reverse and continue looking behind while backing up. Disengage blades before shifting into reverse and backing up.
35. This unit should not be driven up a ramp onto a trailer or truck under power, because the unit could tip over, causing serious personal injury. The unit must be pushed manually to load properly.
36. Check brake operation frequently. Adjust and service according to brake adjustment instructions in this manual.

ASSEMBLY

IMPORTANT: This unit is shipped **WITHOUT GASOLINE or OIL**; however, a small amount of oil may be present from the factory. Do not overfill. After assembly, service engine with gasoline and oil as instructed in the separate engine manual packed with your unit.

NOTE: Reference to right or left hand side of the unit is observed from the driver's seat, facing forward.

UNPACKING

1. Remove the lawn tractor from the carton as follows. Open the top flaps. Remove all loose parts and carton inserts. Cut the front corners of the carton. Make certain brake is released, and push the unit out of the carton.
2. Remove page four from this manual and lay out the contents of the hardware pack according to the illustration for identification.

BATTERY INFORMATION



- A. Battery acid must be handled with great care as contact with it can burn and blister the skin. It is also advisable to wear protective clothing (goggles, rubber gloves and apron) when working with it.*
- B. Should battery acid accidentally splatter into the eyes or onto the face, rinse the affected area immediately with clean cold water. If there is any further discomfort, seek prompt medical attention.
- C. If acid spills on clothing, first dilute it with clean water, then neutralize with a solution of ammonia/water or baking soda/water.
- D. Since battery acid is corrosive, do not pour it into any sink or drain. Before discarding empty electrolyte containers, rinse them with a neutralizing solution.
- E. NEVER connect or disconnect charger clips to battery while charger is turned on as it can cause sparks.
- F. Keep all lighted materials (cigarettes, matches, lighters) away from the battery as the hydrogen gas generated during charging can be combustible.
- G. As a further precaution, only charge the battery in a well-ventilated area.

***Always shield eyes, protect skin and clothing when working near batteries.**

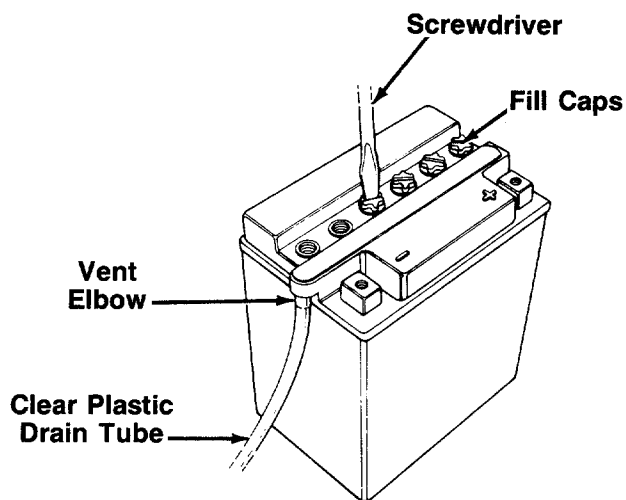


FIGURE 1.

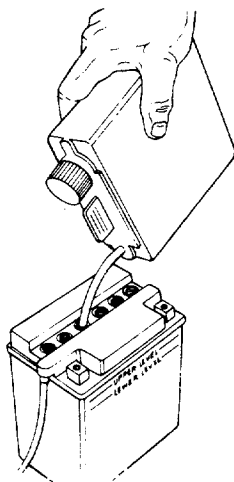


FIGURE 2.



Battery contains sulfuric acid. Refer to warning on page 6. Antidote: EXTERNAL—Flush with water. INTERNAL—Drink large quantities of water or milk. Follow with milk of magnesia, beaten eggs or vegetable oil. Call physician immediately. EYES: Flush with cool water for at least 15 minutes, then get prompt medical attention.

Since batteries produce explosive gases, keep all lighted materials (cigarettes, lighters, matches, etc.) away. Be sure to charge battery only in well-ventilated areas. Make certain venting path of battery (drain tube) is always open.

KEEP BATTERIES
OUT OF THE REACH OF CHILDREN!

ACTIVATING THE BATTERY

Do not activate battery (fill with battery acid) until battery is actually placed in service. Be certain to read previous warnings before activating the battery.

1. Open the battery pack. Be careful not to puncture the box. It contains the battery with a long plastic tube attached, battery fluid (acid) in a plastic container, one short plastic tube and one hardware pack (two hex bolts and nuts).
2. Place the battery on a table or workbench. Make certain the long plastic drain tube is in place on the vent elbow.
3. Remove the six fill caps from the top of the battery with a screwdriver. Be careful not to damage the fill caps. See figure 1.
4. Place the battery fluid container on the table or workbench. Carefully cut off tip of the spout and attach the short plastic tube provided. Do not squeeze the container when cutting tip.
5. Fill each battery cell slowly and carefully to the UPPER LEVEL line marked on battery. See figure 2. Use caution as the acid level will rise rapidly after the bottom of the cell is filled.
6. Allow battery to stand for 30 minutes with the fill caps removed, while the plates absorb acid.
7. If acid level has fallen after the 30 minute standing period, refill each cell with battery acid to the UPPER LEVEL line on battery. Replace the fill caps.
8. Before discarding the empty container, neutralize any residue with baking soda and rinse container with water. Puncture container several times before discarding.
9. Charge the battery after the 30 minute standing period. SLOW CHARGE THE BATTERY (DO NOT FAST CHARGE) at a maximum bench rate of 1.4 amperes until the specific gravity reading is 1.260-1.280. Charge for a minimum of 2 hours and a maximum of 8 hours.

NOTE: Charging rate after battery has been put into operation: The battery is to be charged for a period of 14-16 hours. NO LONGER THAN 30 HOURS. After battery has been charged, add only distilled water. Do not add acid.

NOTE: During normal operation, it is only necessary to charge the battery:

1. When it is activated for the first time.
2. Before winter storage.
3. Before using the lawn tractor after winter storage.

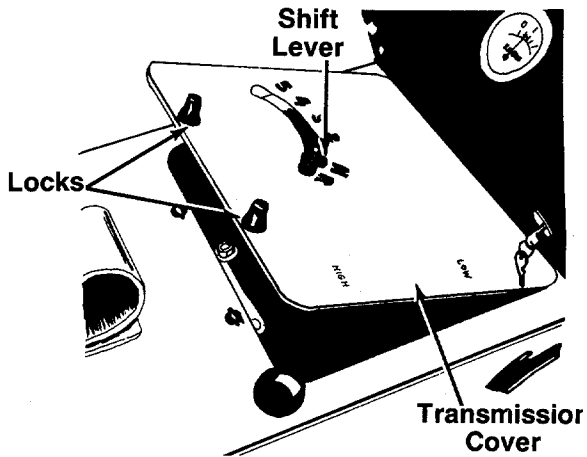


FIGURE 3.

INSTALLING THE BATTERY

1. Place the shift lever in the "N" (neutral) position. Unscrew the gear shift lever knob.
2. Push down and turn the locks on the transmission cover. See figure 3.
3. Lift the transmission cover. Unplug the safety wire from beneath the transmission cover. Remove transmission cover.

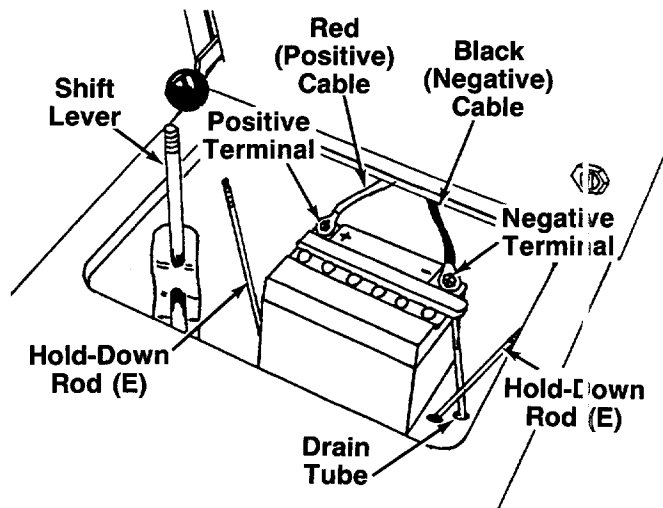


FIGURE 4.

4. Move the shift lever all the way to the left. See figure 4.
5. Hook the hold down rods (E) into the holes in the frame and lay them off to the sides.
6. Place the battery in the lawn tractor so that the positive terminal is towards the left side of the unit.
7. Feed the end of the battery drain tube through the hole provided in this frame. See figure 4.
8. Slide the hex nut (provided with battery hardware) into the positive (+) terminal. Place the positive (heavy red wire) cable on the positive terminal. Secure with bolt provided. See figure 4.
9. Slide the hex nut (provided with battery hardware) into the negative (-) terminal. Place the negative (heavy black wire) cable on the negative terminal. Secure with bolt provided.

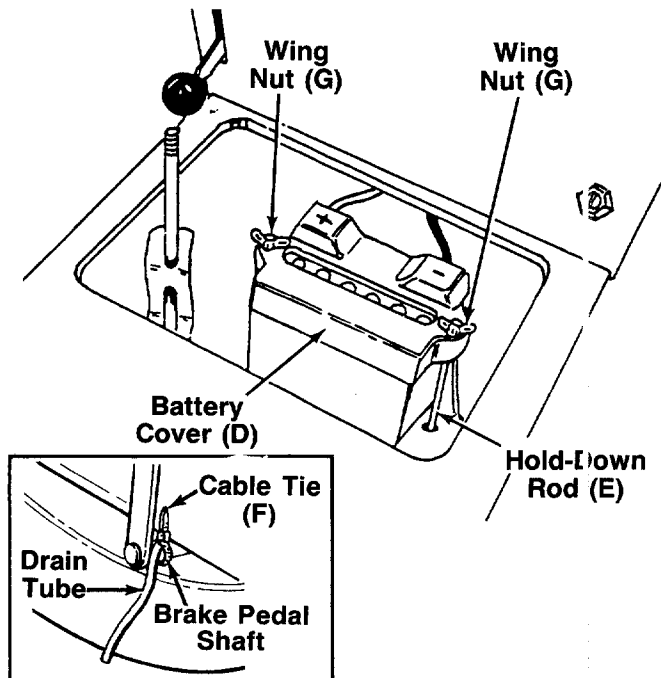


FIGURE 5.

10. Place the battery cover (D) in position over the battery and one hold-down rod. Secure with wing nut (G). Attach other hold-down rod to the other side of battery cover in the same manner. See figure 5.
11. Using cable tie (F), secure battery drain tube to the brake pedal shaft assembly. Cut off excess end. See figure 5, inset.

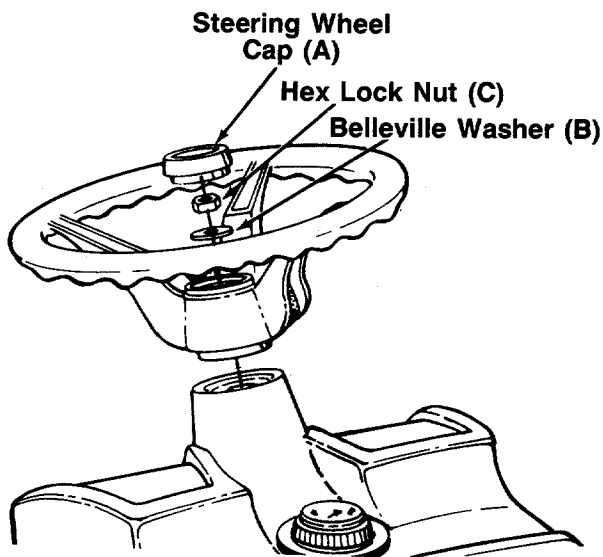


FIGURE 6.

ATTACHING THE STEERING WHEEL

1. Position the front wheels of the tractor so they are pointing straight forward.
2. Place the steering wheel over the steering shaft, positioning steering wheel as desired.
3. Place the belleville washer (B) with the cupped side down over the steering shaft. Secure with hex lock nut (C). See figure 6.
4. Place the steering wheel cap (A) over the center of the steering wheel and seat it with your hand.

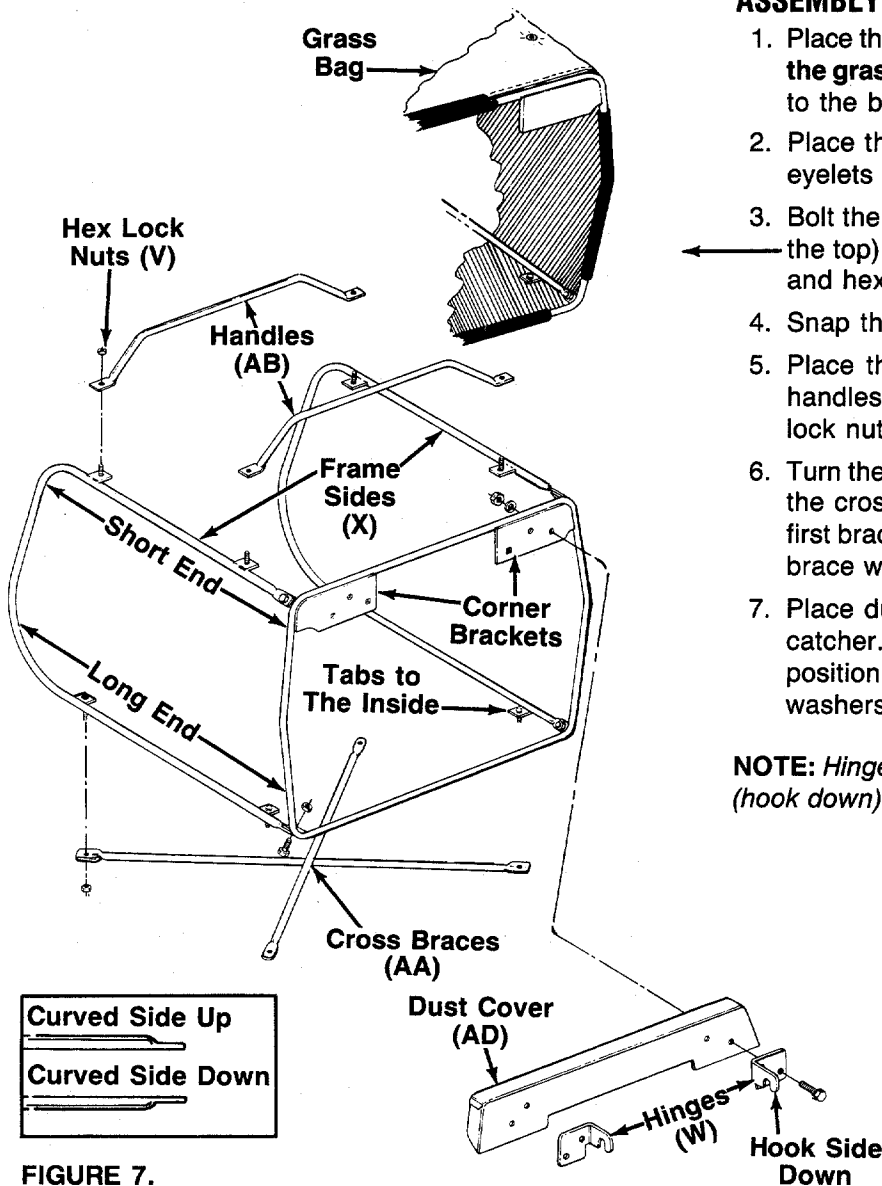


FIGURE 7.

ASSEMBLY OF GRASS CATCHER (See figure 7)

1. Place the right and left hand frame sides (X) inside the grass bag (Y). The long end of side frame goes to the bottom of the bag.
2. Place the weld bolts on side frames through the eyelets in bag.
3. Bolt the front frame assembly (corner brackets to the top) to the side frames with four hex bolts (U) and hex lock nuts (V).
4. Snap the plastic edge of grass bag over frame.
5. Place the grass catcher top side up. Place two handles (AB) in position and secure with four hex lock nuts (V).
6. Turn the grass catcher over, bottom side up. Place the cross braces (AA) in position as shown. The first brace will have the curved side down. The top brace will be positioned with the curved side up.
7. Place dust cover (AD) in position on top front of catcher. Place right and left hand hinges (W) in position and secure with hex sems bolts (R), lock washers (I) and hex nuts (J).

NOTE: Hinges will only match the hole pattern one way (hook down). Only make bolts finger tight at this time.

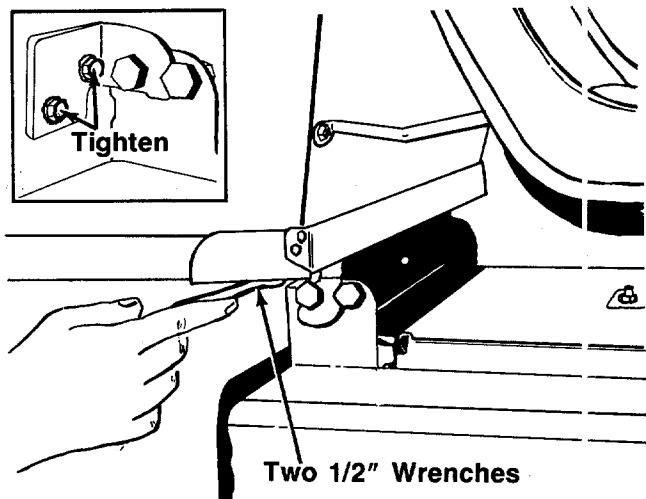


FIGURE 8.

8. Assemble the grass catcher to lawn tractor as follows. See figure 8. Lift the grass catcher all the way up. Have someone hold grass catcher up or block up. Then with two 1/2" wrenches, tighten hinge bracket bolts securely.

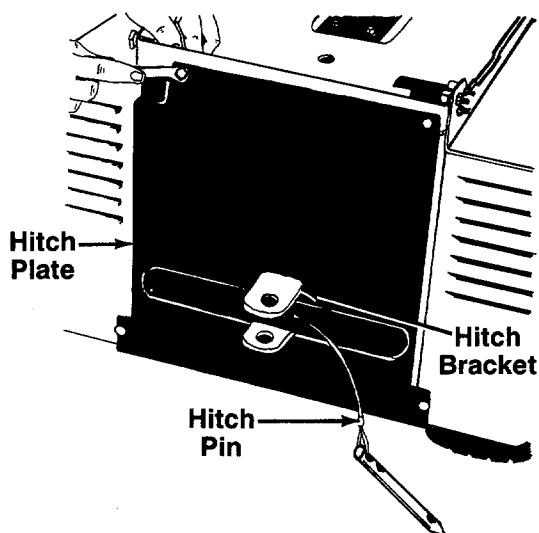


FIGURE 9.

ASSEMBLY OF HITCH PLATE (See figure 9)

The hitch plate is used in place of the grass catcher when towing a trailer.

1. Remove the grass catcher.
2. Place the hitch bracket through the hitch plate. Secure with hex bolt (K), lock washer (L) and hex nut (M). The looped end of hitch pin (O) goes under head of bolt.
3. Remove the rear chute baffle (if so equipped) by removing the two hex bolts, lock washers, and hex nuts used to secure the rear chute baffle to the grass catcher adapter. See reference number 102 on page 27.
4. Place the rear hitch plate against the discharge opening of the lawn tractor. Attach with four 5/16" bolts (H), lock washers (I) and nuts (J).

Use the hitch pin to secure your attachments to the lawn tractor.

TIRE PRESSURE

The tires on you unit may be over-inflated for shipping purposes. Reduce the tire pressure before operating the unit. Recommended operating tire pressure is approximately 12 p.s.i. (check sidewall of tire for tire manufacturer's recommended pressure).



WARNING: Maximum tire pressure under any circumstances is 30 p.s.i. Equal tire pressure should be maintained on all tires.

OPERATION

CAUTION

- READ OPERATOR'S MANUAL(S) • NEVER CARRY CHILDREN
- KNOW LOCATION AND FUNCTION OF ALL CONTROLS
- KEEP SAFETY DEVICES (GUARDS, SHIELDS AND SWITCHES) IN PLACE AND WORKING
- REMOVE OBJECTS THAT COULD BE THROWN BY BLADE(S)
- DO NOT OPERATE THE UNIT WHEN CHILDREN AND OTHERS ARE AROUND
- ALWAYS LOOK BEHIND THE UNIT BEFORE BACKING UP
- DO NOT OPERATE THE UNIT WHERE IT COULD SLIP OR TIP
- IF THE UNIT STOPS GOING UPHILL, STOP BLADE(S) AND BACK SLOWLY DOWNHILL
- BE SURE BLADE(S) AND ENGINE ARE STOPPED BEFORE PLACING HANDS OR FEET NEAR BLADE(S)
- BEFORE LEAVING OPERATOR'S POSITION, DISENGAGE THE BLADE(S), PLACE THE SHIFT LEVER IN NEUTRAL, ENGAGE THE PARKING BRAKE, SHUT ENGINE OFF AND REMOVE THE KEY.

CONTROLS

Throttle Control

The throttle control is used to regulate the engine speed and choke the engine. The engine should be operated from 3/4 to full throttle when operating the cutting deck. See figure 10.

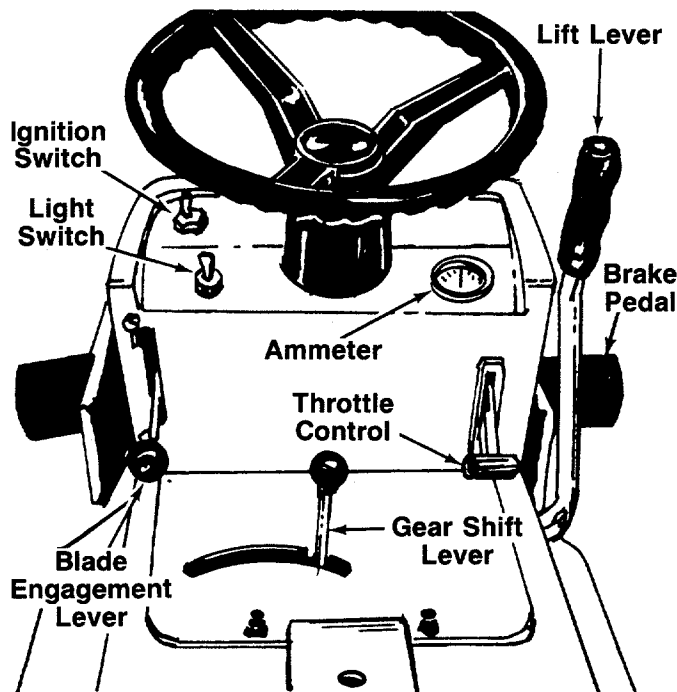


FIGURE 10.

Ignition Switch

The ignition switch is located on the right side of the dashboard. Turn the key to the START position to start the engine. When the engine is running, leave the key

in the ON position. To stop the engine, turn the key to the OFF position



WARNING: Remove the key from the lawn tractor when the tractor is not in use to prevent accidental starting.

Ammeter (Optional)

The ammeter registers the rate of battery charge or discharge. The ammeter should register about 3 amps on the plus (+) side with the engine running fast. The head lamps operate directly from the engine and do not register on the ammeter.

Safety Interlock System

Interlock safety switches are located on the clutch pedal, the blade engagement lever and gear shift lever.

Before the engine will start, the clutch pedal must be depressed all the way and the blade engagement lever must be in the disengaged position.

Before the unit can be shifted into reverse, the blade engagement lever must be in the disengaged position.

The safety interlock system has another switch located on the rear of the lawn tractor that is activated when the grass catcher is attached to the tractor. If you remove the grass catcher or attempt to dump the grass without shutting off the blade, the engine will stop.



WARNING: Do not operate the lawn tractor if the interlock system is malfunctioning because it is a safety device, designed for protection.

Light Switch (Optional)

To turn on head lamps, push the switch marked "Lights" located on the left side of the dashboard. See figure 10.

NOTE: The head lamps operate directly from the alternator and only operate when the engine is running.

Clutch Parking Brake Pedal

The clutch parking brake pedal is located on the left side of the lawn tractor and is used to disengage the drive mechanism. Depressing the clutch parking brake pedal will disengage the drive and APPLY THE DISC BRAKE TO THE REAR WHEELS. The clutch brake pedal must be depressed when you come to a stop, shift gears or start the engine. See figure 11.

Clutch Parking Brake Lock

When the clutch parking brake pedal is depressed all the way, it can be locked in the engaged position by lifting up the lock button. To release, depress the pedal. See figure 11.

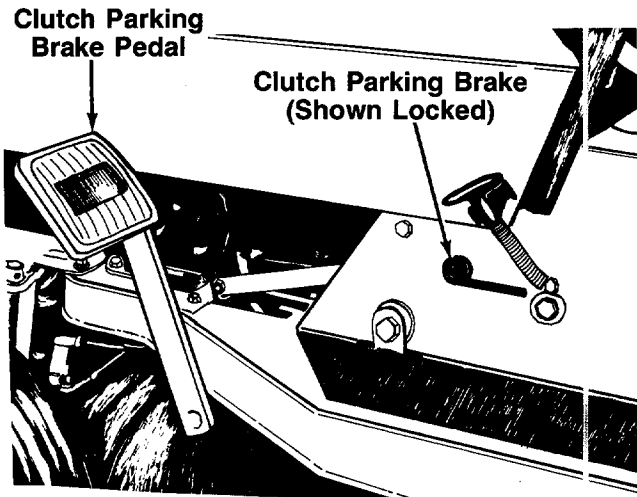


FIGURE 11.

Brake Pedal

The brake pedal is located on the right side of the lawn tractor and is operated by depressing it with your right foot. When coming to a complete stop, it is necessary to depress both the clutch parking brake and the brake pedals. Refer to figure 10.

Gear Shift Lever

The five speed transmission has five forward speeds, neutral and reverse. Do not shift normally through the gears on this transmission as in an automobile. Pre-select the gear appropriate for the job you are doing. The list below can be used as a guide to select the proper gear. You must depress the clutch pedal when you stop and when you shift.

1st gear—Heavy Cutting	5th gear—Traveling
2nd gear—Medium Cutting	Neutral
3rd gear—Medium Cutting	Reverse
4th gear—Light Cutting	

Lift Lever

The lift lever is located on the right hand side of the unit. It is used to raise and lower the cutting deck. There are five cutting heights from 2 1/4" to 3 3/4". Set the stop at the desired cutting height. See figure 12.

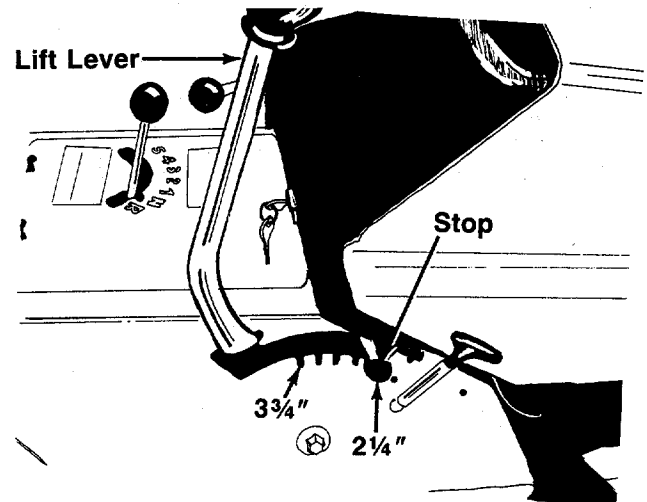


FIGURE 12.



WARNING: The blades does not shut off when the deck is raised. You must place the Blade Engagement Lever in the raised (OFF) position.

Blade Engagement Lever

To engage the cutting blade, raise the blade engagement lever up and to the left, it will lock in this position. To disengage the blade, move the blade engagement lever to the right and lower it slowly. The blade must be shut off in order to start the engine or to dump the grass catcher. See figure 13.

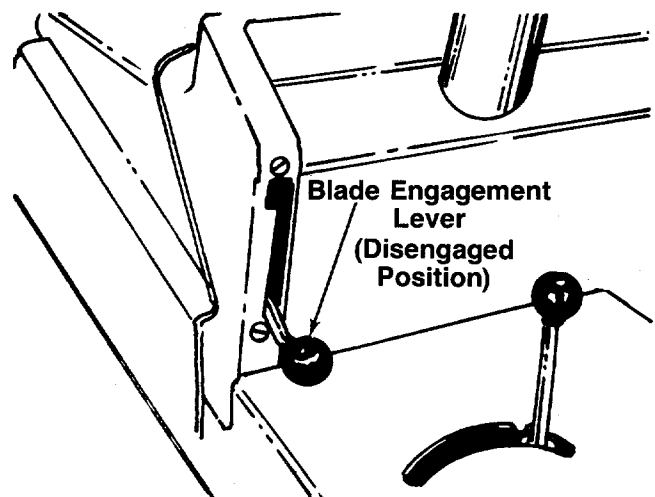


FIGURE 13.

GRASS CATCHER OPERATION



WARNING: The grass catcher is a part of the lawn tractor. The lawn tractor should not be operated without the grass catcher in place.

The grass catcher can be removed to dump the clippings by grasping both handles and lifting the rear handle first to tip the catcher slightly, and then remove it completely. To attach, hook the hinges on the catcher over the rear pins on the back of the lawn tractor. See figure 14.

To dump the grass without leaving the operating position, grasp the rear handle and pull it towards you.

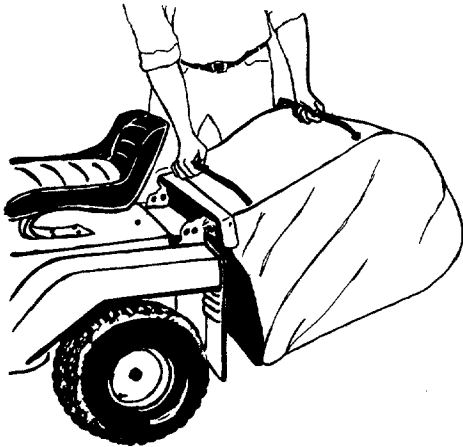


FIGURE 14.



WARNING: The blade engagement lever must be in the disengaged position or the engine shut off before dumping or removing the grass catcher.

IMPORTANT: If you strike a foreign object, stop the engine. Remove wire from spark plug, thoroughly inspect the mower for any damage, and repair the damage before restarting and operating the mower.

NOTE: Under normal usage the grass catcher is subject to wear, and should be checked periodically. Be sure any replacement complies with the mower manufacturer's recommendation.

ADJUSTMENTS



WARNING: Do not at any time make any adjustment to lawn mower without first stopping engine and disconnecting spark plug wire.

CHAIN ADJUSTMENT

After the first five hours of operation, the initial slack should be removed from the chain. The chain should be tight enough so that it deflects approximately 1/2 inch when it is depressed with the thumb.

1. To tighten the chain, loosen the two nuts on each side of the frame holding the differential bracket to the frame. See figure 15.

NOTE: These are located under the frame.

2. Remove the rear chute baffle (if so equipped). See reference number 102 on page 27.

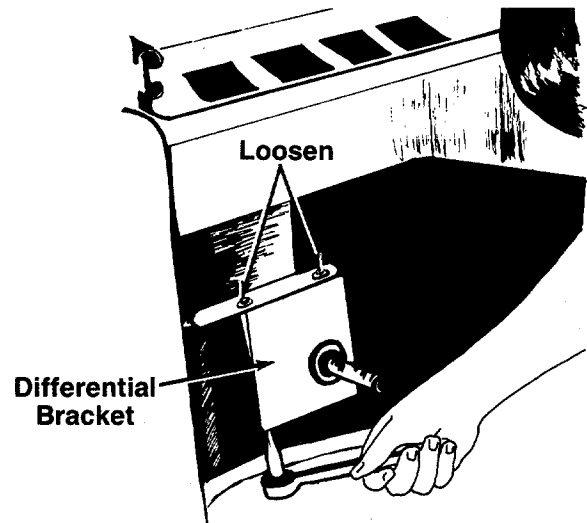


FIGURE 15.

3. Tighten the adjusting nuts as shown in figure 16 until you have the proper tension.
4. Tighten the nuts holding the differential bracket to the frame.

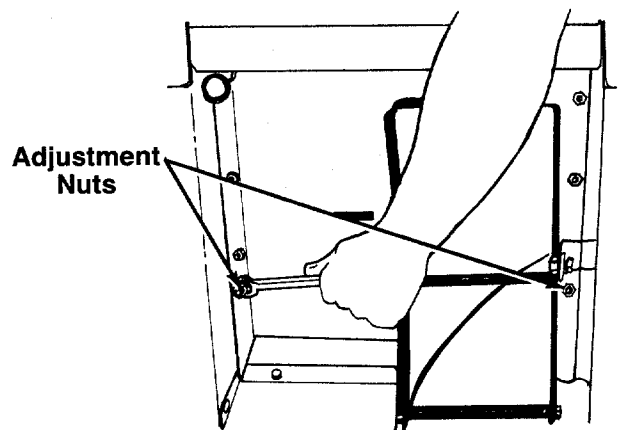


FIGURE 16.

BRAKE ADJUSTMENT

During normal operation of this machine, the brakes are subject to wear and will require periodic examination and adjustment.

To adjust the brake, tighten the lock nut one-half turn and then test the brake. The brake stops the lawn tractor by gripping the sprocket on the rear axle. See figure 17.

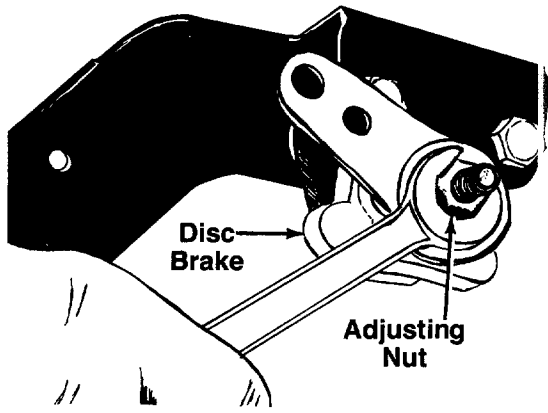


FIGURE 17.

WHEEL ALIGNMENT

The caster (forward slant of the king pin) and the camber (tilt of the wheels out at the top) require no adjustment. Automotive steering principles have been used to determine the caster and camber on the mower. The front wheels should toe-in 1/8 inch. See figure 18. To adjust, follow these steps:

1. Remove the cotter pin holding the ferrule to the axle bracket. See figure 18.

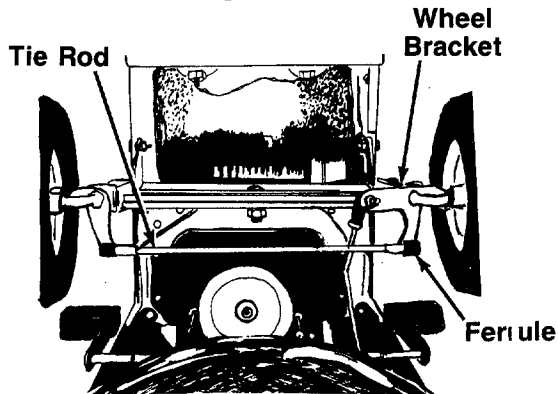


FIGURE 18.

2. Adjust the ferrule in or out until the wheels toe-in approximately 1/8".
3. Replace the ferrule into the wheel bracket and replace the cotter pin.

CARBURETOR ADJUSTMENT



WARNING: If any adjustments are made to the engine while the engine is running (e.g. carburetor), disengage all clutches and blades. Keep clear of all moving parts. Be careful of heated surfaces and muffler.

Minor carburetor adjustment may be required to compensate for differences in fuel, temperature, altitude and load.

To adjust the carburetor, refer to the separate engine manual packed with your unit.

LUBRICATION

SPECIFICATIONS:

(Lubricate once a season or after every 25 hours of operation.)

Oil—Use SAE 30 or equivalent

Grease—Use automotive multi-purpose grease, except in the differential and transmission.

Grease (Transmission and Differential)—Use E.P. Lithium grease.

NOTES:

When operating in sandy areas, do not oil the bearings.

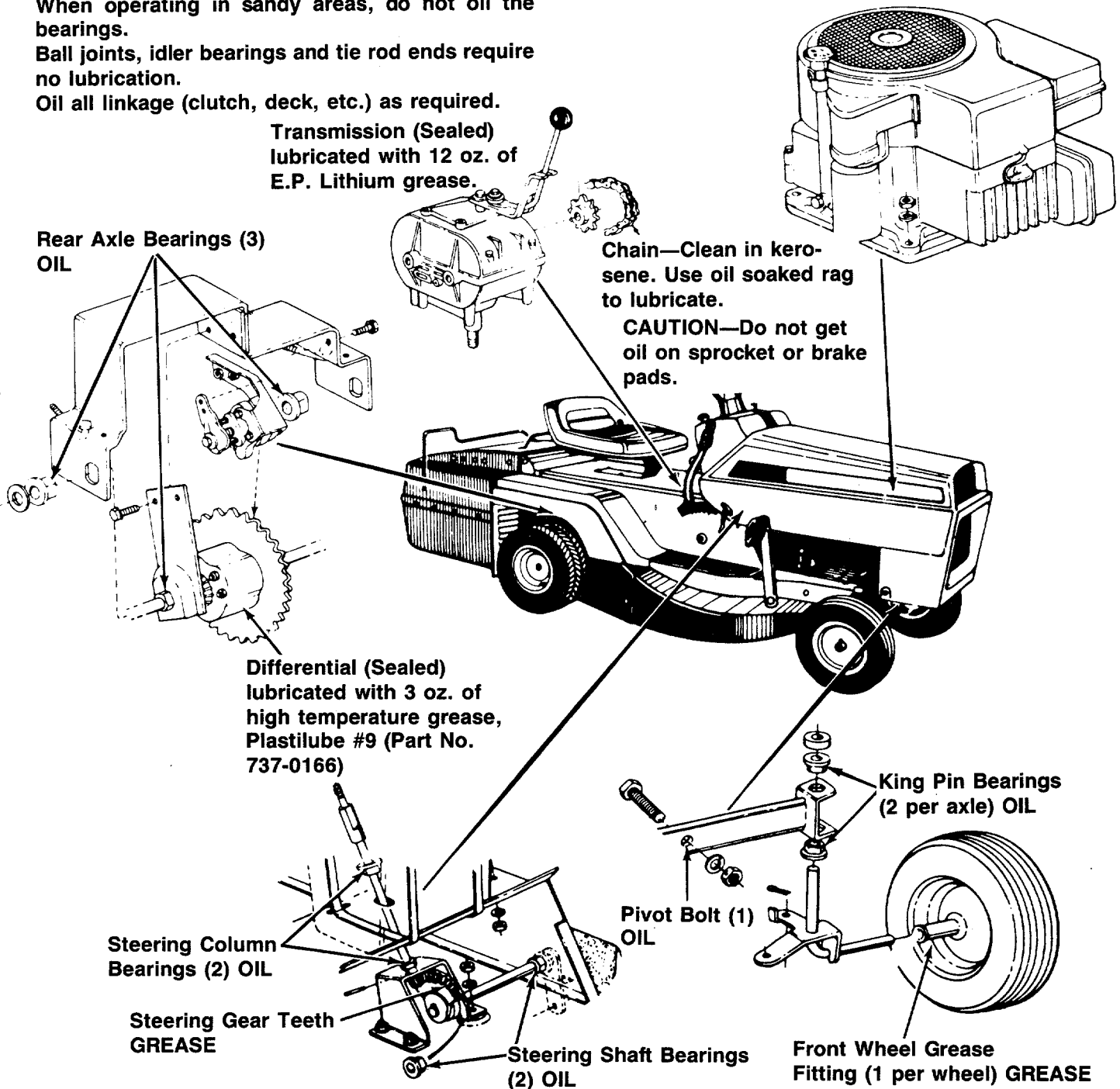
Ball joints, idler bearings and tie rod ends require no lubrication.

Oil all linkage (clutch, deck, etc.) as required.

Transmission (Sealed)
lubricated with 12 oz. of
E.P. Lithium grease.

Engine—Remove oil fill plug and add oil until it is full to point of overflowing or to full mark on dipstick. Above Freezing Temperature, use oil with viscosity grade SAE 30 or SAE 10W-30.

Below Freezing Temperature, use oil with viscosity grade SAE 5W-20, SAE 5W-30 or SAE 10W.



MAINTENANCE



WARNING: Disconnect the spark plug wire and ground against the engine before performing any repairs or maintenance.

TROUBLE SHOOTING

Refer to page 19 of this manual for trouble shooting information.

CRANKCASE OIL

Check the oil level in the crankcase before each use of the machine and after every five hours of operation. Oil level should be maintained as instructed in the separate engine manual.

After the first five hours of operating a new engine, drain the oil from the crankcase while engine is still hot and refill crankcase with new oil; thereafter change the oil every 25 hours of operation. Refer to the engine manual.

AIR CLEANER

Under normal operating conditions, the air cleaner, located on top of the carburetor, must be serviced after every ten hours of use. Under extremely dusty operating conditions, the air cleaner must be serviced after every hour of operation. To service the air cleaner, refer to the separate engine manual packed with your unit.

CLEANING ENGINE AND BLADE HOUSING

Any fuel or oil spilled on the machine should be wiped off promptly. Grass, leaves, and other dirt must not be left to accumulate around the cooling fins of the engine or on any part of the machine.

Clean the underside of the blade housing after each mowing.

SPARK PLUG

The spark plug should be cleaned and the gap reset once a season. Spark plug replacement is recommended at the start of each mowing season; check engine manual for correct plug type and gap specification.

CUTTING BLADE

A. Removal for Sharpening or Replacement



WARNING: Be sure to disconnect and ground the spark plug wire and remove ignition key before working on the cutting blade to prevent accidental engine starting. Protect hands by using heavy gloves or a rag to grasp the cutting blade(s).

1. Remove the large bolt and lock washer which holds the blade and adapter to the blade spindle.

2. Remove the blade and adapter from the spindle.
3. If the blade or blade adapter needs replacing, remove the two small bolts, lock washers and nuts which hold the blade and blade spacers (if so equipped) to the adapter.

B. Sharpening

Remove the cutting blade by following the directions of the preceding section.

When sharpening the blade, follow the original angle of grind as a guide. It is **extremely important** that each cutting edge receives an equal amount of grinding to prevent an unbalanced blade. An unbalanced blade will cause excessive vibration when rotating at high speeds, may cause damage to the mower and could break, causing personal injury.

The blade can be tested for balance by balancing it on a round shaft screwdriver. Remove metal from the heavy side until it balances evenly.

NOTE: *It is recommended that the blade always be removed from the adapter for the best test of balance.*

C. Reassembly

Before reassembling the blade and the blade adapter to the unit, lubricate the spindle and the inner surface of the blade adapter with light oil. Lubricating the bolt holes, bolts and inner surface of the nuts with light oil is also recommended. A 4 oz. plastic bottle of light oil lubricant is available. Order part number 737-0170. Engine oil may also be used.

When replacing the blade, be sure to install the blade with the side of the blade marked "Bottom" (or with part number) facing the ground when the mower is in the operating position.

Blade Mounting Torque

3/8" Dia. Bolt 375 in. lb. min., 450 in. lb. max.
5/16" Dia. Bolt 150 in. lb. min., 250 in. lb. max.

To insure safe operation of your unit, ALL nuts and bolts must be checked periodically for correct tightness.

BELT REMOVAL AND REPLACEMENT

Preparation



WARNING: Disconnect the spark plug wire and ground it against the engine.

1. To prevent gasoline from leaking from the engine, remove the gasoline cap, place a piece of plastic film on the neck of the gasoline tank and screw on the cap.
2. Remove the grass catcher.

3. Remove the battery.
4. Depress the clutch and lock it.
5. Lift the front end of the lawn tractor up and rest it on the rear frame. It will balance in this position.

NOTE: Do not leave the lawn tractor in this position any longer than necessary as oil may get into the cylinder head. If this occurs, remove the spark plug and crank the engine to clear the oil.

Deck Belt Removal

1. Place the blade engagement lever in the disengaged position.
2. Remove the two shoulder bolts by the engine pulley. See figure 19.

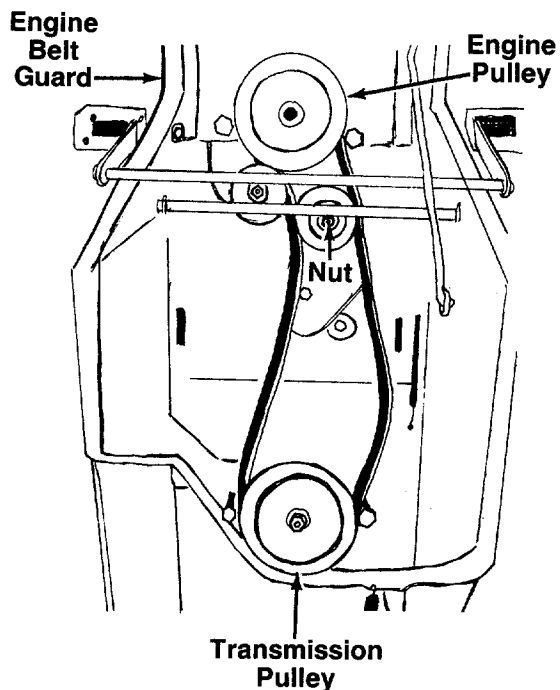


FIGURE 19.

NOTE: The long side of the hub on the V-idler goes towards the deck.

3. Remove the belt keeper on the cutting deck. See figure 20.
4. Remove the nut from the idler on the cutting deck and remove the idler.

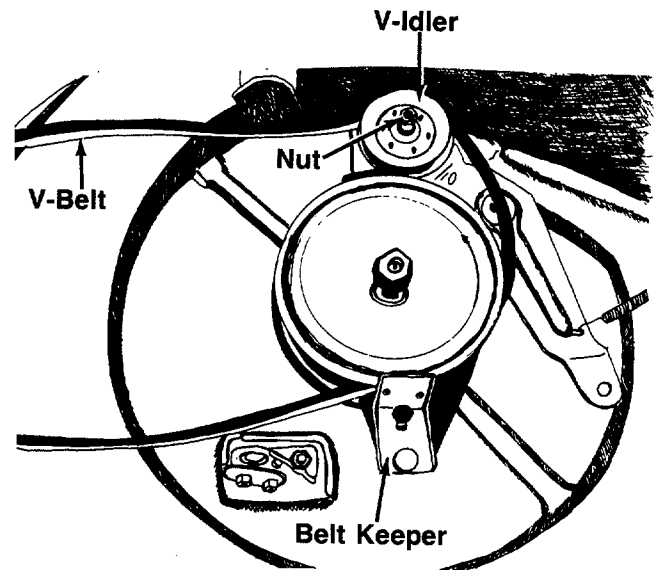


FIGURE 20.

5. Remove the two shoulder bolts from the engine pulley. See figure 19.
6. Remove the belt from the engine pulley.
7. Depress the clutch pedal and lock it in the disengaged position.
8. Remove the engine belt guard. See figure 19.
9. Remove the nut on the V-idler and slide the idler off the bracket.

NOTE: The long side of the hub on the V-idler goes towards the frame.

10. Remove the two shoulder bolts by the transmission pulley.
11. Remove the nut on the transmission pulley and remove the pulley.

NOTE: The short side of the hub on the pulley goes towards the frame.

12. Remove the belt and reassemble with a new belt.
13. Remove plastic from beneath gasoline cap.

BATTERY REMOVAL OR INSTALLATION



WARNING: When removing the battery, follow this order of disassembly to prevent the screwdriver from shorting against the frame.

1. Remove the Negative cable.
2. Remove the Positive cable.

To install a battery:

1. Attach the Positive cable.
2. Attach the Negative cable.

JUMP STARTING

1. Attach the first jumper cable from the Positive terminal of the good battery to the Positive terminal of the dead battery.
2. Attach the second jumper cable from the Negative terminal of the good battery to the FRAME OF THE UNIT WITH THE DEAD BATTERY.



WARNING: Failure to use this starting procedure could cause sparking, and the gas in either battery could explode.

BATTERY MAINTENANCE

1. Check periodically (every two weeks or before and after charging) to be sure electrolyte level is above the lowest line on battery. Add only distilled water or a good quality drinking water. NEVER add additional acid or other chemicals to battery after initial activation.
2. The battery should be checked with a hydrometer after every 25 hours of operation. If the specific gravity is less than 1.225, remove battery and recharge.
3. Coat the terminals and exposed wiring with a thin coat of grease or petroleum jelly for longer service and protection against electrolyte corrosion.
4. The battery should be kept clean. Any deposits of acid should be neutralized with soda and water. Be careful not to get this solution in the cells.

BATTERY STORAGE

1. Charge battery using normal methods. NEVER store discharged battery as it will not recover.
2. When storing battery for extended periods, disconnect battery cables. Removing battery from unit is recommended.
3. Store in cold, dry place.
4. Recharge battery whenever the specific gravity is less than 1.225, before returning to service, or every two months, whichever occurs first.

COMMON CAUSES FOR BATTERY FAILURE ARE:

1. Overcharging
2. Undercharging
3. Lack of water
4. Loose holds downs and/or corroded connections
5. Excessive loads
6. Battery electrolyte substitutes
7. Freezing of electrolyte

NOTE: THESE FAILURES DO NOT CONSTITUTE WARRANTY.

TIRES

Recommended operating tire pressure is approximately 12 p.s.i. (check sidewall of tire for tire manufacturer's recommended pressure). Maximum tire pressure under any circumstances is 30 p.s.i. Equal tire pressure should be maintained on all tires.

When installing a tire to the rim, be certain rim is clean and free of rust. Lubricate both the tire and rim generously. Never inflate to over 30 p.s.i. to seat beads.



WARNING: Excessive pressure (over 30 p.s.i.) when seating beads may cause tire/rim assembly to burst with force sufficient to cause serious injury.

OFF-SEASON STORAGE

If the machine is to be inoperative for a period longer than 30 days, prepare for storage as follows.

1. Clean the engine and the entire unit thoroughly.
2. Lubricate all lubrication points. Wipe the entire machine with an oiled rag to protect the surfaces.
3. Refer to the engine manual for correct engine storage instructions. The engine must be completely drained of fuel to prevent gum deposits from forming on essential carburetor parts, fuel lines and fuel tanks.
4. Refer to battery storage instructions in previous column.
5. Store unit in a clean, dry area.

NOTE: When storing any type of power equipment in an unventilated or metal storage shed, care should be taken to rustproof the equipment. Using a light oil or silicone, coat the equipment, especially any chains, springs, bearings and cables.

TROUBLE SHOOTING CHART FOR ELECTRIC START MODELS

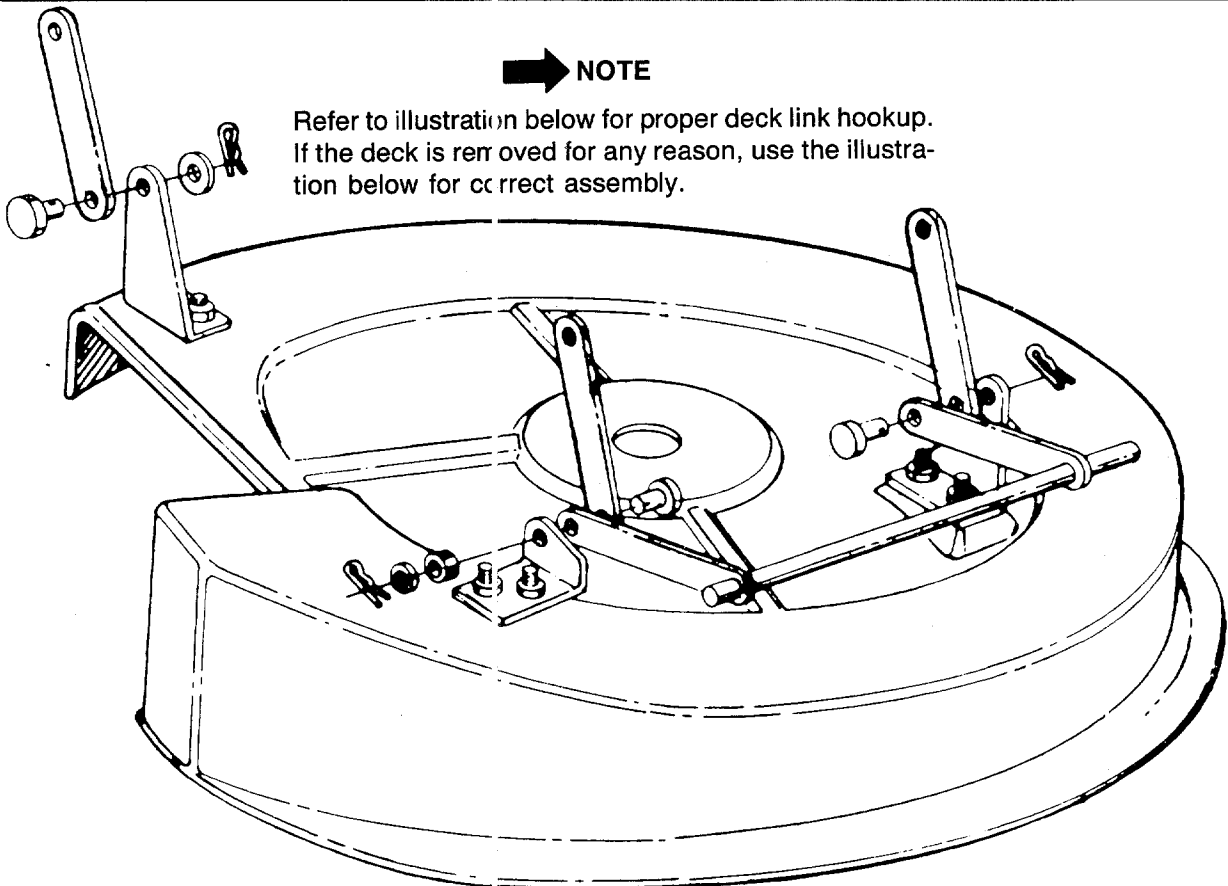
TROUBLE	LOOK FOR	REMEDY
Engine will not crank	Battery installed incorrectly	The battery must be installed with the negative, identified at the terminal post by (Neg, N or -), grounded. The positive (Pos, P or +) attaches to the large cable from the solenoid. The small red wire from the fuse holder or circuit breaker is also attached to the positive terminal.
	Blown fuse or circuit breaker	Replace fuse with 7½ amp. fuse ¼ x 1¼" lg. Circuit breaker will reset itself when it cools off. Fuses or circuit breakers seldom open or fail without a reason. The problem must be corrected. Check for loose connections in the fuse holder. Replace fuse holder if necessary. A dead short may be in the cranking or charging circuit where the insulation may have rubbed through and exposed the bare wire. Replace the wire or repair with electrician's tape if the wire strands have not been damaged. Note: Look for a wire pinched between body panels, burned by the exhaust pipe or muffler or rubbed against a moving part.
	Battery is dead or weak	<p>Use a hydrometer to check the condition of the battery. The Specific Gravity (s.g.) should be 1.265 at 80° F. (1.215 s.g. minimum needed for cranking engine). The reason for the battery failing must be determined. (1) Defective battery. Battery will not accept or hold a full charge. (2) Short circuit. Check for grounded wire. (3) Charging system not working, either engine alternator or trickle charger.</p> <p>Trickle Charger. Check with multimeter. Charger 725-0578—input 120 V A.C., no load output 13.5 V D.C., rated load current 1 amp. Charger 725-0507—input 120 V A.C., no load output 17.4 V D.C., rated load current 1/2 amp.</p> <p>Alternator (dual or single circuit) The charging system is an alternator located under the flywheel. It is unregulated and rated 3 amp. at 3600 r.p.m. A diode (rectifier) is located in the output lead just before the wire harness plug on the engine side.</p> <div style="text-align: center;"> </div> <p>The diode changes A.C. to D.C. to charge the battery. A bad diode can either fail to charge the battery or discharge the battery if the alternator is shorted as well as the diode. To test: (1) Disconnect charger lead from the battery (small red wire). (2) Connect 12 V small test lamp between the 3 amp. D.C. charge lead and the positive terminal of the battery. (3) With the engine off, the lamp should not light. If it does, the diode and possibly the alternator should be replaced. (4) Start the engine. The lamp should light. If it does not, the alternator (stator) or lead wire is bad and should be replaced.</p>
Mechanical failure. (Wires and switches)	The interlock system includes two mechanical activated switches which are wired in series in the circuit used to energize the starter solenoid. While testing the interlock system, you will make the mower temporarily unsafe by permitting the engine to be started with the blade and clutch engaged. WARNING: While testing, disengage the clutch, shut off the blade control, set the parking brake and place the gear shift lever in neutral. Attach a wire (minimum 18 gauge) to the positive terminal of the battery and touch the other end to the small terminal on the solenoid. If the engine does not crank: (1) There is a loose connection or poor ground. (2) The solenoid may be bad. The solenoid can be checked by using a heavy wire (#8 gauge minimum) and jumping between the two large terminals. If the engine cranks, the solenoid is bad. (3) If the engine does not crank when you jump the solenoid, have the starter motor tested by an authorized engine dealer. If the engine does crank, the problem is with one of the safety switches, ignition switch or the wire between the fuse holder (or circuit breaker) and the small terminal on the solenoid. Note: Look for a poor connection at the switches or a defective switch. Replace if necessary.	
Engine cranks but will not start	Throttle or choke not in starting position	Check owner's guide for correct position for throttle control and choke (if separate control) for starting.

TROUBLE SHOOTING CHART FOR ELECTRIC START MODELS

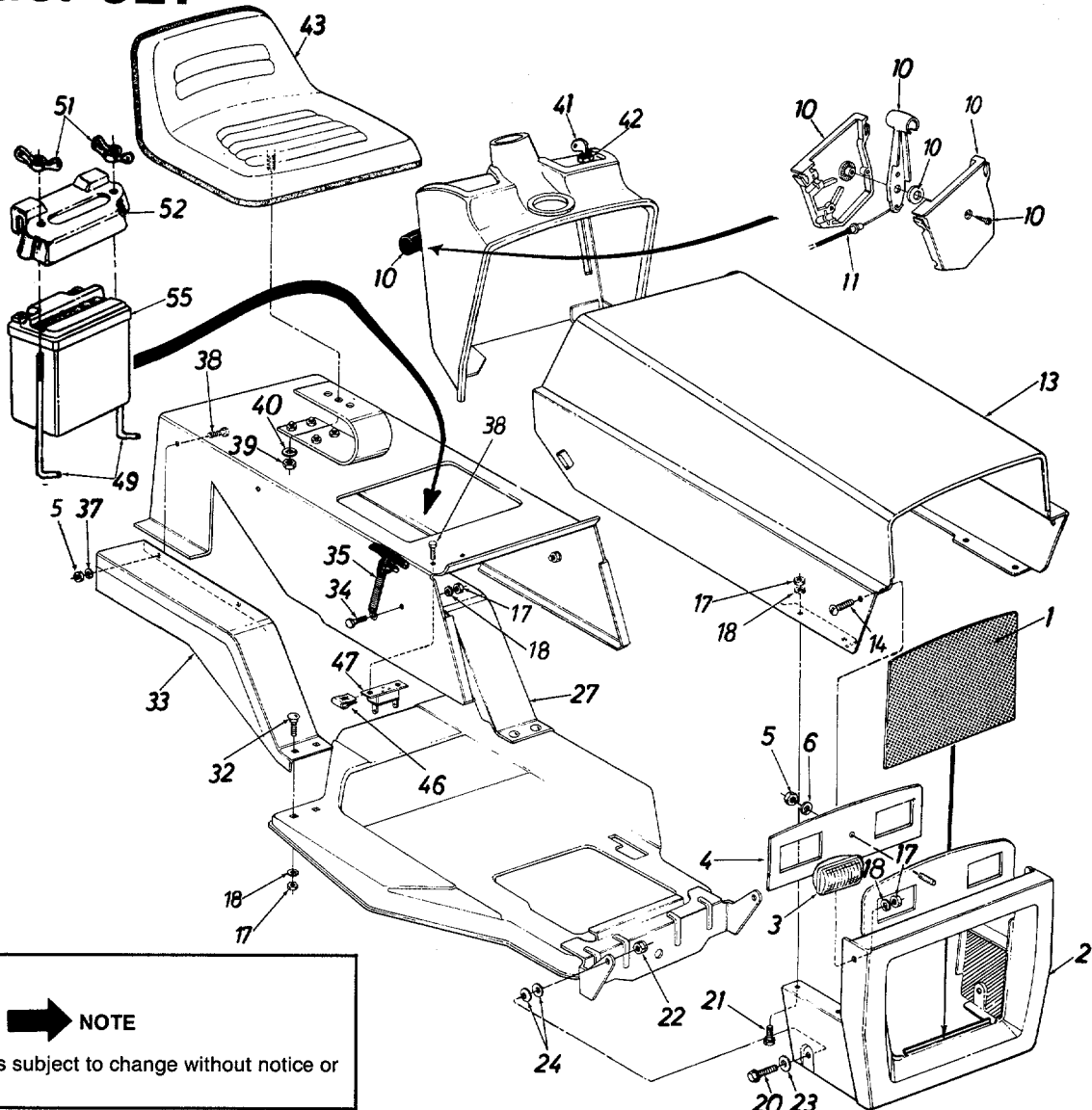
TROUBLE	LOOK FOR	REMEDY
	No spark to spark plug	Spark plug lead disconnected. Connect lead. Hold spark plug lead away from engine block about 1/8". Crank engine. There should be a spark. If not, have engine repaired at authorized engine service dealer. Faulty spark plug. To test, remove spark plug. Attach spark plug lead to spark plug. Ground the spark plug body against the engine block. Crank the engine. The spark plug should fire at the electrode. Replace if it does not.
	No fuel to the carburetor	Gasoline tank empty. Fill. Fuel valve shut off. Open valve. Valve is located either at the bottom of the fuel tank or on the carburetor. Fuel line plugged. Remove and clean.
	Air filter dirty	If the air cleaner is dirty, the engine may not start. Clean or replace as recommended by the engine manufacturer.
Engine smokes	Engine loses crankcase vacuum	Dipstick not seated or broken. Replace defective part. Engine breather defective. Replace.
Excessive vibration	Bent or damaged blade spindle	Stop engine immediately. Check all pulleys, blade adapters, keys and bolts for tightness and damage. Tighten or replace any damaged parts.
	Bent blade	Stop engine immediately. Replace damaged blade. Only use original equipment blades.
Mower will not discharge grass or leaves uncut strips	Engine speed low Transmission selection Blades short or dull	Throttle must be set between 3/4 and full throttle. Use lower transmission gear. The slower your ground speed, the better the quality of cut. Sharpen or replace blades (uncut strip problem only).

→ NOTE

Refer to illustration below for proper deck link hookup.
If the deck is removed for any reason, use the illustration below for correct assembly.



Model 527

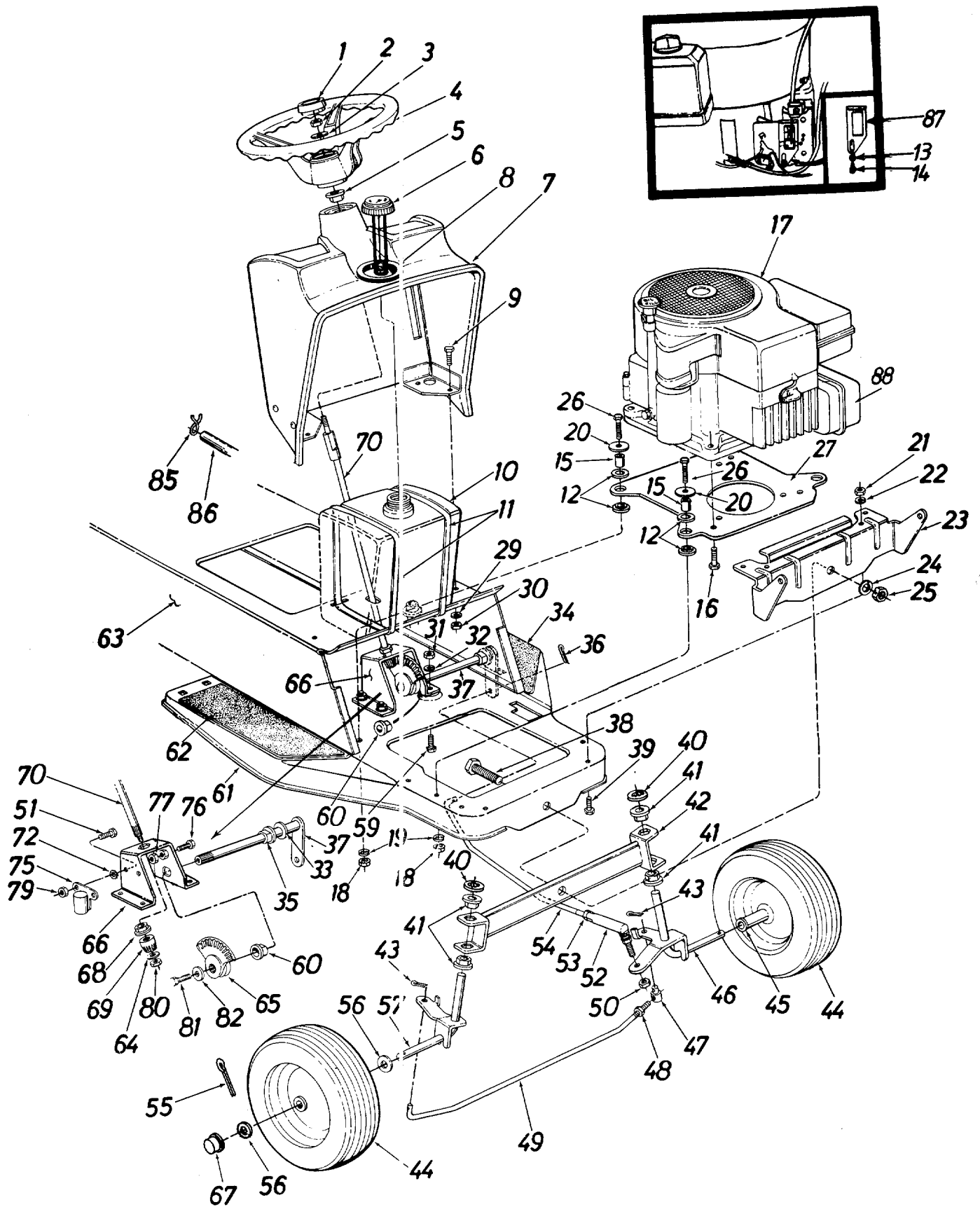


NOTE
 Specifications subject to change without notice or obligation.

PARTS LIST FOR MODEL 527 LAWN TRACTOR

REF. NO.	PART NO.	CODE	DESCRIPTION	REF. NO.	PART NO.	CODE	DESCRIPTION
1	12903		Screen—Grille	32	710-0134	638	Carriage Bolt 1/4-20 x .62" *
2	12901	638	Grille Ass'y.	33	12712	638	Fender Ass'y. R.H.
3	725-0417		Headlight	34	710-0258		Hex Bolt 1/4-20 x .62" Lg.*
4	10795		Headlight Retainer	35	723-0296		Hood Lock Ass'y.
5	712-0121		Hex Nut #10-24 Thd.	37	736-0147		Wash. #10 I.D.
6	736-0722		L-Wash. #10 I.D.	38	710-0425		Truss Hd. Mach. Scr. #10-24 x .62" Lg.*
10	831-0823A		Throttle Control Box Ass'y.	39	712-0206		Hex Nut 1/2-13 Thd.*
11	746-0500		Throttle Control Wire	40	736-0921		L-Wash. 1/2" I.D.*
13	12451	638	Hood—Front	41	725-1341B		Ignition Key
14	710-0286		Truss Hd. Mach. Scr. 1/4-20 x .50" Lg.*	42	725-0267		Ignition Switch
17	712-0287		Hex Nut 1/4-20 Thd.*	43	757-0285		Seat Ass'y.
18	736-0329		L-Wash. 1/4" I.D.*	46	726-0156		Speed Nut 10-24
20	710-0253		Hex Bolt 3/8-16 x 1" Lg.*	47	725-0459		Circuit Breaker
21	710-0211		Hex Sems Bolt 1/4-20 x .75"	49	711-0222		Hold-Down Rod
22	712-0375		Hex Cent. L-Nut 3/8-16 Thd.	51	712-0113		Wing Nut 1/4-20 Thd.
23	736-0140		Fl-Wash. .385" I.D. x .62" O.D.	52	731-0708		Battery Cover
24	736-0105		Bell-Wash. .4" I.D. x .88"	55	725-0514A		12V Battery
27	12715	638	Fender Ass'y. L.H.	—	746-0616A		Choke Control (Not Shown)

Model 527



Model 527

PARTS LIST FOR MODEL 527 LAWN TRACTOR

F. NO.	PART NO.	CODE	DESCRIPTION	REF. NO.	PART NO.	CODE	DESCRIPTION
1	731-0220		Steering Wheel Cap	42	13274	638	Pivot Bar Ass'y.
2	712-0158		Hex Cent. L-Nut 5/16-18 Thd.	43	714-0474		Cotter Pin 1/8" Dia. x .75" Lg.*
3	736-0242		Bell-Wash. .345 I.D. x .88 O.D.	44	**		Front Wheel Ass'y.— (See Chart Below)
4	731-0219		Steering Wheel				Flange Bearing
5	741-0225		Hex Flange Bushing .63" I.D.	45	741-0487	638	Front Axle Ass'y.—L.H.
6	723-0333		Fuel Gauge—Cap	46	12491A		Pivot Bushing
7	16548		Dash Panel Ass'y. w/Lights	47	711-0198		Hex Jam Nut 3/8-24 Thd.*
8	735-0179		Rubber Grommet (Fuel Tank Neck)	48	712-0711		Tie Rod
9	710-0211		Hex Sems Scr. 1/4-20 x .75" Lg.*	49	747-0144		Hex Ins. L-Nut 3/8-24 Thd.
10	751-0172		Fuel Tank	50	712-0116		Hex Bolt 1/4-29 x .5" Lg.*
11	726-0209		Cable Tie (Fuel Tank)	51	710-0289		Ball Joint Ass'y.
12	722-0153		Engine Mounting Grommet	52	723-0156		Hex Jam Nut 3/8-24 Thd.*
13	736-0400		FI-Wash. .218" I.D. x .62"	53	712-0711		Drag Link
14	710-0899A	N	Hex Sems Scr. #10-32 x .62" Lg.	54	747-0158		Cotter Pin 1/8" Dia. x 1.25" Lg.*
15	750-0539		Spacer	55	714-0470		FI-Wash. .63" I.D. x 1.12" O.D. x .10"
16	710-0654A	N	Hex Wash. Hd. Self-Tap Scr. 3/8-16 x 1.0" Lg. Engine	56	736-0156	638	Front Axle Ass'y.—R.H.
17	—			57	12492A		Hex Sems Scr. 5/16-18 x .75" Lg.*
18	712-0123		Hex Nut 5/16-24 Thd.*	59	710-0198		Flange Brg. w/Flats
19	736-0119		L-Wash. 5/16" I.D.*	60	741-0199	638	Front Frame Ass'y.
20	736-0231		FI-Wash. .34" I.D. x 1.12" O.D. x .125	61	12600		Foot Pad—R.H.
21	712-0267		Hex Nut 5/16-18 Thd.*	62	723-0306	638	Rear Frame
22	736-0119		L-Wash. 5/16" I.D.*	63	12450		FI-Wash. 5/16" I.D.
23	12467	638	Front Pivot Bracket	64	736-0264		Side Gear
24	736-0158		L-Wash. 5/8" I.D.*	65	748-0236		Steering Gear Support Ass'y.
25	712-0923		Hex Cent. L-Nut 5/8-18 Thd.	66	12851	N	Hub Cap
26	710-0158		Hex Bolt 5/16-24 x 1.25 H.T.	67	731-0484A		Hex Flange Bushing .50" I.D.
27	16040		Engine Base Plate	68	741-0226		Pinion Gear
29	736-0329		L-Wash. 1/4" Scr.*	69	748-0237		Steering Shaft
30	712-0287		Hex Nut 1/4-20 Thd.*	70	738-0325		Ext. L-Wash. 1/4" I.D.*
31	712-0267		Hex Nut 5/16-18 Thd.*	72	736-0222		Solenoid
32	736-0119		L-Wash. 5/16" I.D.*	75	725-0771		Hex Bolt Nylon 3/8-16 x 1.25" Lg.
33	736-0134		FI-Wash. .812" I.D. x 1.38" O.D. x .100	76	710-0670		Hex Cent. L-Nut 3/8-16 Thd.
34	723-0307		Foot Pad—L.H.	77	712-0375		Hex Nut 1/4-20 Thd.*
35	741-0199		Flange Brg. w/Flats	79	712-0287		Hex Cent. L-Nut 5/16-24 Thd.
36	714-0507		Cotter Pin 3/32" Dia. x .75"*	80	712-0237		Hex Bolt 3/8-24 x .75" Lg.*
37	12815		Steering Arm Ass'y.	81	710-0180		Bell-Wash.
38	710-0622		Hex Bolt 5/8-18 x 1.62" Lg.	82	736-0105		Hose Clamps (2 Required)
39	710-0198		Hex Sems Bolt 5/16-18 x .75" Lg.*	85	726-0205		Fuel Line 15" Lg.
40	726-0159B	N	Push Nut	86	751-0535		Throttle Limiter
41	741-0225		Hex Flange Bushing .62" I.D.	87	16778		Muffler
				88	751-0423		Exhaust Gasket
					721-0208		
					751-0424		

**Front Wheel Available

Front Wheel	Pneumatic
Assembly Comp.	734-1454
Tire Only	734-1382
Rim Only	734-1455
Grease Fitting	737-0146

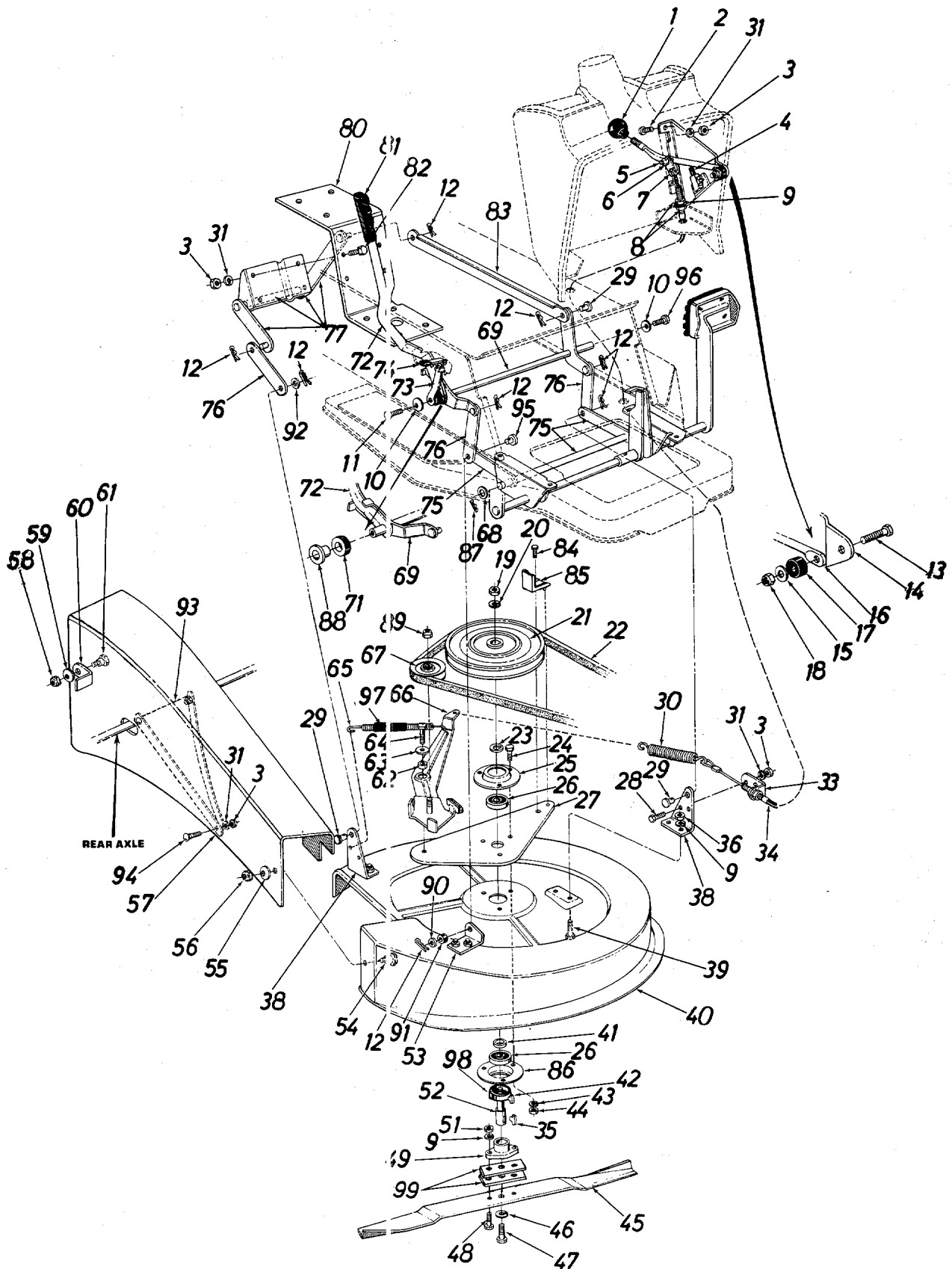
*For faster service obtain standard nuts, bolts and washers locally. If these items cannot be obtained locally, order by part number and size as shown on parts list.

CODE: N notates a new part (not previously existing). A three digit number is the color code. Specify color code as shown if color or finish is important when ordering parts [i.e., 638 for Red Finish].

Color Codes

456—Radiant Tangerine	629—Silver Flake
460—Green Flake	630—Metallic Blue
483—Charcoal Gray	637—Black
498—Yellow	638—Red
499—Beige	640—Green
621—Brilliant Fire Mist	646—CM Blue

Model 527

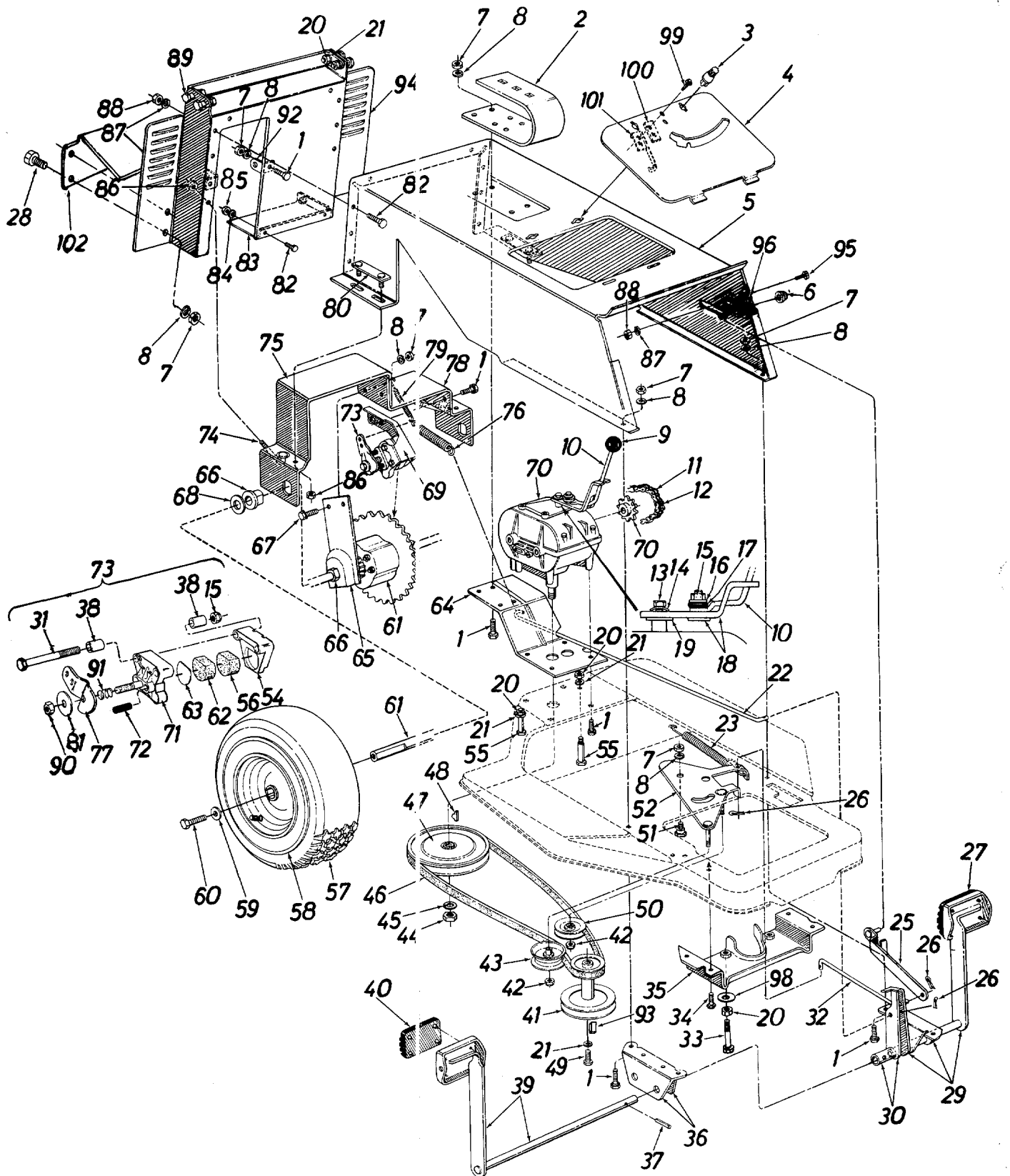


Model 527

PARTS LIST FOR MODEL 527 LAWN TRACTOR

F. NO.	PART NO.	CODE	DESCRIPTION	REF. NO.	PART NO.	CODE	DESCRIPTION
1	720-0165		Ball Knob	51	712-0123		Hex Nut 5/16-24 Thd.*
2	710-0286		Truss Mach. Scr. 1/4-20 x .50" Lg.*	52	738-0292		Blade Spindle
3	712-0287		Hex Nut 1/4-20 Thd.*	53	12532		Deck Bracket (Chute)
4	725-0465A	N	Safety Switch (Blade Clutch)	54	738-0183		Shld. Scr. .5" Dia. x .17" Lg.
5	710-0282		Weld Pin .25" Dia. x .62" Lg.	55	736-0140		Fl-Wash. .385" I.D. x .88" O.D.
6	726-0106		Push Cap .25" Dia.	56	712-0375	637	Hex Cent. L-Nut 3/8-16 Thd.
7	761-0145		Clevis	57	12464		Chute Ass'y.
8	712-0256		Hex Jam Nut 5/16-24 Thd.*	58	712-0429		Hex Ins. L-Nut 5/16-18 Thd.
9	736-0119		L-Wash. 5/16" I.D.	59	736-0242		Bell-Wsh. .345" I.D. x .88"
10	736-0219		Bell-Wash. .40" I.D. x 1.11"	60	12541		Chute Pivot Brkt.
11	710-0502		Hex Wash. Hd. Self-Tap Scr. 3/8-16 x 1.25" Lg.	61	738-0140		Shld. Bolt .437 I.D. x .18" Lg.
12	714-0101		Internal Cot-Pin 1/2" Dia.	62	750-0258		Spacer .315" I.D. x .75" O.D. x .37 Lg.
13	710-0106		Hex Bolt 1/4-20 x 1.25" Lg.*	63	736-0231		Fl-Wash. .344" I.D. x 1.12" O.D. x .12
14	12476A	N	Deck Clutch Control Brkt.	64	710-0376		Hex Bolt 5/16-18 x 1.0" Lg.
15	736-0173		Fl-Wash. .28" I.D. x .75" O.D. x .063	65	732-0308		Extension Spring
16	747-0157		Blade Clutch Lever	66	12469A	N	Deck Idler Brkt. Ass'y.
17	735-0165		Rubber Washer	67	756-0116		V-Idler Pulley
18	712-0107		Hex Cent. L-Nut 1/4-20 Thd.	68	736-0116		Fl-Wash. .63" I.D. x .93" O.D. x .06"
19	712-0261		Hex Nut 5/8-11 Thd.*	69	12472		Lift Handle Shaft Ass'y.
20	736-0158		L-Wash. 5/8" I.D.*	71	12477		Rubber Wash.
21	756-0143		Deck Pulley	72	749-0174		Lift Handle
22	754-0195A	N	"V"-Belt	73	12479		Lift Handle Stop
23	748-0168		Spacer	74	11249		Height Adj. Knob
24	710-0322		Hex Sems Bolt 5/16-18 x 1.0" Lg.*	75	1247		Lift Arm Shaft Ass'y.
25	08253B		Bearing Housing	76	10317		Deck Link
26	741-0919		Ball Brg. .787" I.D. x 1.85" O.D.	77	12502		Lift Pivot Brkt. Ass'y.
27	12453		Deck Belt Guard Plate	80	12853		Seat Support Ass'y.
28	710-0211		Hex Sems Bolt 1/4-20 x .75" *	81	720-0157		Grip
29	711-0332		Lift Brkt. Pin Special	82	710-0597		Hex Sems Bolt 1/4-20 x 1.0" Lg.*
30	732-0180		Extension Spring .88" O.D. x 4" Lg.	83	12495		Connecting Link
31	736-0329		L-Wash. 1/4" I.D.*	84	710-0627		Hex Wash. Hd. Self-Tap Scr. 5/16-24 x .75" Lg.
33	12509		Cable Bracket	85	10426		Belt Keeper Ass'y.
34	746-0253		Clutch Control Cable 26.88" Lg.	86	15296		Open Bearing Hsg.
35	714-0365		#6 Hi-Pro Key 5/32 x 5/8" Dia.	87	714-0507		Cotter Pin 3/32" Dia. x .75"
36	712-0267		Hex Nut 5/16-18 Thd.*	88	748-0176		Flange Brg. .62" I.D. x .87" O.D. x .63" Lg.
38	12531		Deck Bracket	89	712-0116		Hex Ins. L-Nut 3/8-24 Thd.
39	710-0451		Carriage Bolt 5/16-18 x .75" *	90	736-0160		Fl-Wash. .53" I.D. x .94" O.D. x .050"
40	14248	637	26" Deck Ass'y. Comp.	91	735-0185		Rubber Wash. .531" I.D. x 1.0" O.D. x .120"
41	750-0142		Spacer .836" I.D. x 1.01" O.D. x .32" Lg.	92	736-0192		Fl-Wash. .531" I.D. x .93" O.D. x .090"
42	714-0388		#61 Hi-Pro Key 3/16 x 5/8" Dia.	93	12852		Chute Baffle
43	736-0119		L-Wash. 5/16" I.D.*	94	710-0167		Carriage Bolt 1/4-20 x .50" *
44	712-0267		Hex Nut 5/16-18 Thd.*	95	711-0310		Clevis Pin .50"
45	742-0255A		26" Blade	96	710-0413		Self-Tap Scr. 3/16-16 x 1.0"
46	736-0217		L-Wash. 3/8" I.D. H.D.	97	731-0339		Shrink Tube
47	710-0151		Hex Bolt 3/8-24 x 2.0" Lg. H.T.	98	13703		Bearing Shield
48	710-0624		Hex Bolt 5/16-24 x 1.5" Lg. H.T.—Special	99	12626A		Spacer
49	748-0189		Blade Adapter				

Model 527



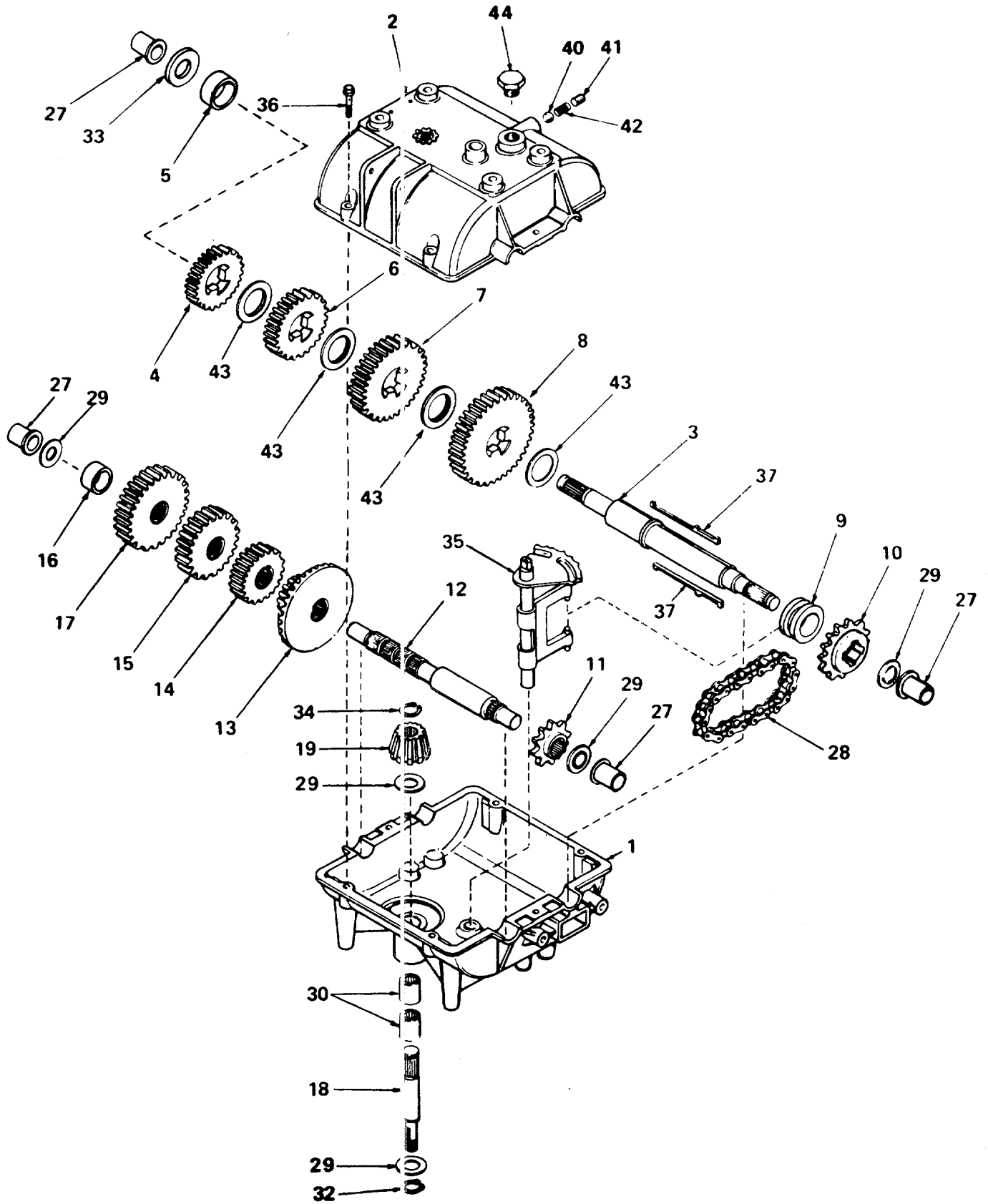
Model 527

PARTS LIST FOR MODEL 527 LAWN TRACTOR

F. NO.	PART NO.	CODE	DESCRIPTION	REF. NO.	PART NO.	CODE	DESCRIPTION
1	710-0198		Hex Sems Bolt 5/16-18 x .75" Lg.*	51	738-0140		Shld. Bolt .437" Dia. x .18"
2	732-0541		Seat Spring	52	12484		Idler Brkt. Ass'y.
3	726-0151		Fastener (Self Ret. 1/4 Turn)	54	HH-12-03293		Casting—Carrier
4	12471A	638	Rear Frame Cover	55	738-0129		Shld. Bolt .498" Dia. x 2.0"
5	12450A	638	Rear Frame	56	HH-15-03149		Pad—Friction
6	726-0121		Push Cap .25" Dia.—Black	57	734-0715		Rear Wheel Ass'y.—Comp. 14.5 x 4.5
7	712-0267		Hex Nut 5/16-18 Thd.*		734-0714		Tire Only 14.5 x 4.5
8	736-0119		L-Wash. 5/16" I.D.*	58	734-0517		Rear Wheel Rim Only
9	720-0165		Ball Knob	59	736-0242		Bell-Wash. .345 I.D. x .88
10	11545		Shift Lever—Transmission	60	710-0627		Hex Cent. Lock Scr. 5/16-24 x .75" Lg. H.T.
11	713-0189		#420 Chain 1/2" Pitch x 77 Links	61	717-0319		Differential Ass'y. Comp.
12	712-0154		#420 Master Link	62	HH-15-02124		Pad—Friction
13	710-0513		Hex Bolt 1/4-28 x .62" Lg. (Lock)	63	HH-03-03303		Disc—Back-Up
14	736-0270		Bell-Wash. .25" I.D. x .88 O.D. x .062"	64	12853		Seat Support Ass'y.
15	712-0158		Hex Cent. L-Nut 5/16-18 Thd.	65	12508		Rear Axle Plate
16	736-0159		Fl-Wash. .344" I.D. x .88" O.D.	66	741-0199		Flange Brg. w/Flats .753" I.D.
17	735-0126		Rubber Wash. .33" I.D. x .87"	67	710-0322		Hex Sems Bolt 5/16-18 x 1.0" Lg.*
18	11548		Shift Lever Brkt. Ass'y.	68	736-0134		Fl-Wash. .812" I.D. x 1.38" O.D. x .10"
19	717-0234		Hardened Wash. 1.0" O.D. (Special)	69	12482		Disc Brake Brkt. Ass'y.
20	712-0798		Hex Nut 3/8-16 Thd.*	70	—		Transmission (Five Speed)
21	736-0171		L-Wash. 7/16" I.D.	71	HH-12-03292		Casting—Cam
22	747-0155		Brake Rod	72	HH-05-03034		Push Pin
23	732-0233		Extension Spring	73	761-0130		Disc Brake Ass'y.—Comp.
25	16023		Clutch Lockout Ass'y.	74	710-0437		Chain Adj. Link 5/16-18 x 4.38" Lg.
26	714-0507		Cotter Pin 3/32" Dia. x .75" *	75	12460		Rear Axle Brkt.—R.H.
27	12379		Clutch Pedal Pad	76	732-0245		Brake Spring
28	710-0118		Hex Bolt 5/16-18 x .75" Lg.*	77	HH-18-03493		Cam Lever
29	12539		Clutch Pedal & Brkt. Ass'y.	78	12459		Rear Axle Brkt.—L.H.
30	12486		Brake Lever Ass'y.	79	732-0157		Brake Return Spring
31	710-0378		Hex Bolt 5/16-18 x 2.5" Lg.	80	10360		Plate Ass'y. Axle Bolt
32	747-0156		Clutch Rod	81	HH-03-03032		Washer
33	710-0316		Hex Bolt 3/8-16 x 3.5" Lg.	82	710-0425		Truss Hd. Mach. Scr. #10-24 x .62" Lg.
34	710-0211		Hex Sems Bolt 1/4-20 x .75" *	83	12537		Baffle Plate
35	12488		Engine Belt Guard Ass'y.	84	736-0147		Ext. L-Wash.
36	12534		Pedal "U" Brkt.—R.H.	85	712-0121		Hex Nut 10-24 Thd.*
37	715-0114		Spring Pin Spiral .25" Dia. x 1.5" Lg.	86	712-0429		Hex Ins. L-Nut 5/16-18 Thd.
38	761-0133		Bushing	87	736-0329		L-Wash. 1/4" I.D.*
39	12543		Brake Pedal Shaft Ass'y.	88	712-0287		Hex Nut 1/4-20 Thd.*
40	12378		Brake Pedal Pad	89	738-0143		Shld Bolt .498" Dia. x .33"
41	756-0436		Two-Step Engine Pulley	90	712-0134		Hex Top L-Nut
42	712-0116		Hex Ins. L-Nut 3/8-24 Thd.	91	HH-06-03031		Spring
43	756-0217		Fl-Idler w/Flanges 2.75" Dia.	92	12541		Chute Pivot Brkt.
44	712-0922		Hex Jam Nut 1/2-20 Thd.*	93	714-0114		Sq.-Key 1/4 x 2.0" Lg.
45	736-0921		L-Wash. 1/2" I.D.	94	12544A	637	Grass Catcher Adapter
46	754-0198		"V"-Belt (Drive)	95	710-0289		Hex Bolt 1/4-20 x .50" Lg.*
47	756-0174		Transmission Split Pulley	96	725-0577		Safety Switch
48	714-0129		#4 Hi-Pro Key 3/32 x 5/8" Dia.	98	736-0105		Belleville Washer
49	710-0757		Hex Bolt 7/16-20 x 1.5" Lg.	99	710-0227		Hex Wash. Hd. Scr. #8 x .50"
50	756-0116		"V"-Idler	100	726-0222		Insulator Nut Plate
				101	725-0759		Spring Switch
				102	15734		Rear Chute Baffle (Optional)

Model 527

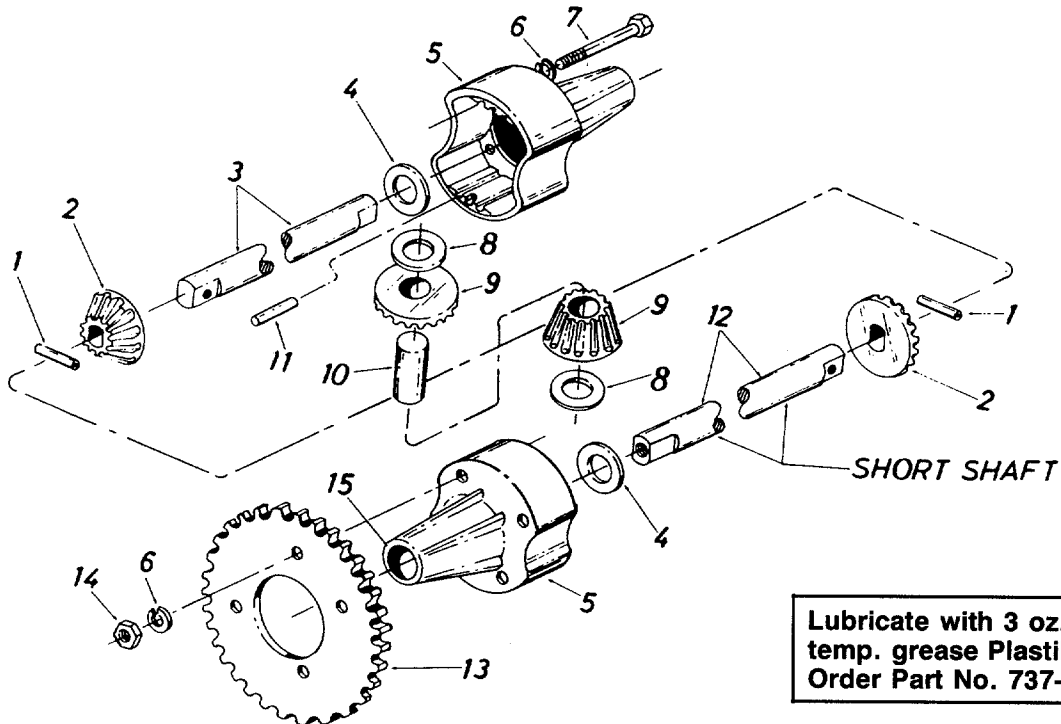
TRANSMISSION MODEL NO. PEERLESS 714A



Model 527

PARTS LIST FOR PEERLESS MODEL 714A TRANSMISSION

REF. NO.	PART NO.	DESCRIPTION	REF. NO.	PART NO.	DESCRIPTION
1	PE-770061	Case, Transmission	20	PE-786049	Sprocket (8 Teeth)
2	PE-772070	Cover, Transmission	27	PE-780105	Bushing, Flanged
3	PE-776166	Shaft, Output	28	PE-786062	Chain, Roller (No. 41 Chain, 22 Links)
4	PE-778121	Gear, Spur (20 Teeth)	29	PE-780072	Race, Thrust
5	PE-778122	Gear, Spur (22 Teeth)	30	PE-780106	Bearing, Needle
6	PE-778123	Gear, Spur (25 Teeth)	31	PE-792072	Ring, Retaining
7	PE-778124	Gear, Spur (30 Teeth)	32	PE-792035	Ring, Retaining
8	PE-778125	Gear, Spur (35 Teeth)	33	PE-780109	Washer
9	PE-784266	Collar, Shift	34	PE-788040	Ring, Retaining
10	PE-786083	Sprocket (18 Teeth)	35	PE-784271	Rod and Fork Ass'y., Shift
11	PE-786082	Sprocket (9 Teeth)	36	PE-792073	Screw, Hex Hd. Taptite, 1/4-20 x 1 1/4
12	PE-776134	Shaft, Counter	37	PE-792089	Key
13	PE-778109	Gear, Bevel (42 Tooth & 15 Tooth Spur Gear)	40	PE-792077	Ball, Steel, 5/16"
14	PE-778126	Gear, Spur (20 Teeth)	41	PE-792078	Screw, Set, 3/8-16 x 3/8
15	PE-778127	Gear, Spur (25 Teeth)	42	PE-792079	Spring
16	PE-778128	Gear, Spur (28 Teeth)	43	PE-780108	Washer, Thrust
17	PE-778129	Gear, Spur (30 Teeth)	44	PE-792074	Plug
18	PE-776140	Shaft, Input			
19	PE-778113	Bevel Pinion, Input			



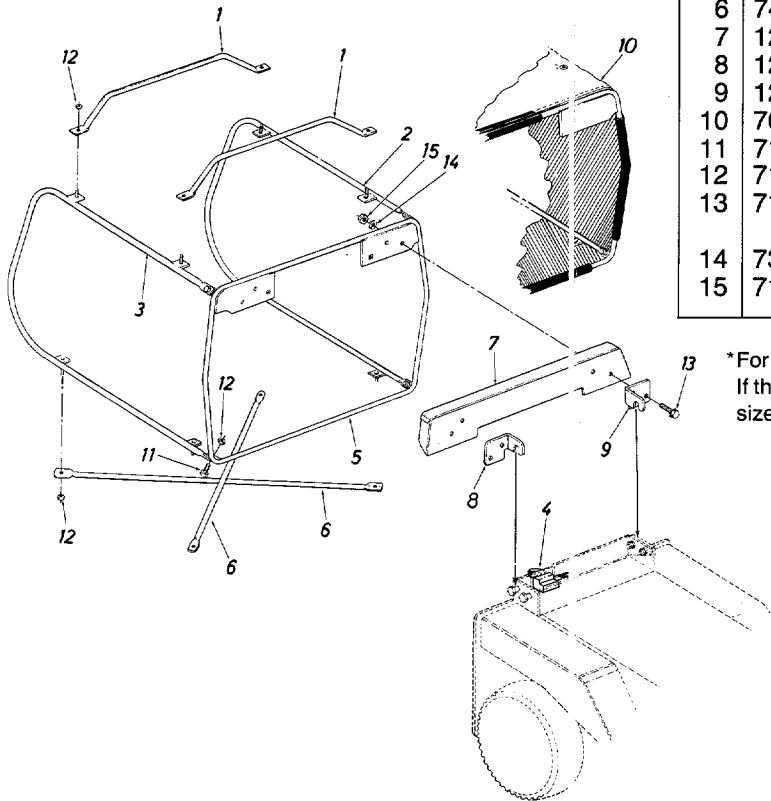
PARTS LIST FOR DIFFERENTIAL ASSEMBLY 717-0319

REF. NO.	PART NO.	Qty. Req'd.	DESCRIPTION	REF. NO.	PART NO.	Qty. Req'd.	DESCRIPTION
1	715-0247	2	Spring Pin Spiral 3/16" Dia. x 1.0" Lg.	8	736-0187	2	Fl-Wash. .64" I.D. x .24"
2	748-0156	2	Gear—Double "D" Hole	9	748-0158	2	Gear—Round Hole
3	738-0302	1	Shaft (Long)—15.11" Lg.	10	711-0276	1	Drive Pin
	736-0188	2	Fl-Wash. .76" I.D. x 1.49"	11	715-0145	2	Dowel Pin 3/16" Dia. x .62"
	719-0150	2	Housing Half	12	738-0303	1	Shaft (Short) 7.58" Lg.
6	736-0119	8	L-Wash. 5/16" I.D.*	13	713-0162	1	Sprocket—48 Teeth
7	710-0363	4	Hex Bolt 5/16-24 x 4" Lg.	14	712-0237	4	Hex Cent. L-Nut 5/16-24 Thd.
				15	748-0169	2	Flange Bearing

Model 527

PARTS LIST FOR MODEL 527

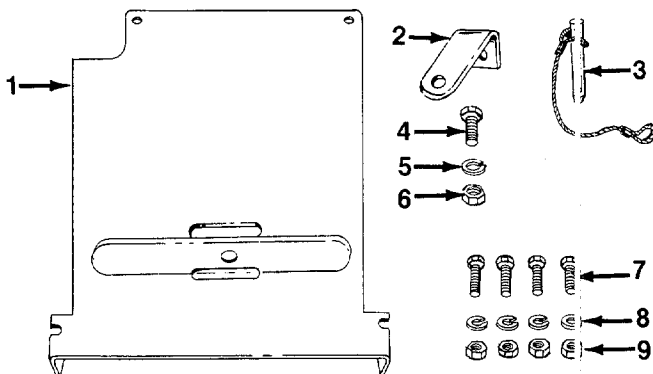
REF. NO.	PART NO.	DESCRIPTION
1	749-0221	Catcher Handles
2	12889	Catcher Side Frame Ass'y. L.H.
3	12890	Catcher Side Frame Ass'y. R.H.
4	725-0713	Safety Switch (Grass Catcher)
5	12887	Catcher Frame Ass'y.
6	749-0651	Bottom Cross Brace
7	12891	Dust Cover
8	12574	Hinge—R.H.
9	12573	Hinge—L.H.
10	764-0164	Grass Bag
11	710-0258	Hex Bolt 1/4-20 x .62" Lg.*
12	712-0107	Hex Cent. L-Nut 1/4-20 Thd.
13	710-0322	Hex Sems Bolt 5/16-18 x 1.00" Lg.*
14	736-0119	L-Wash. 5/16" I.D.*
15	712-0267	Hex Nut 5/16-18 Thd.*



*For faster service obtain standard nuts, bolts and washers locally. If these items cannot be obtained locally, order by part number and size as shown on parts list.

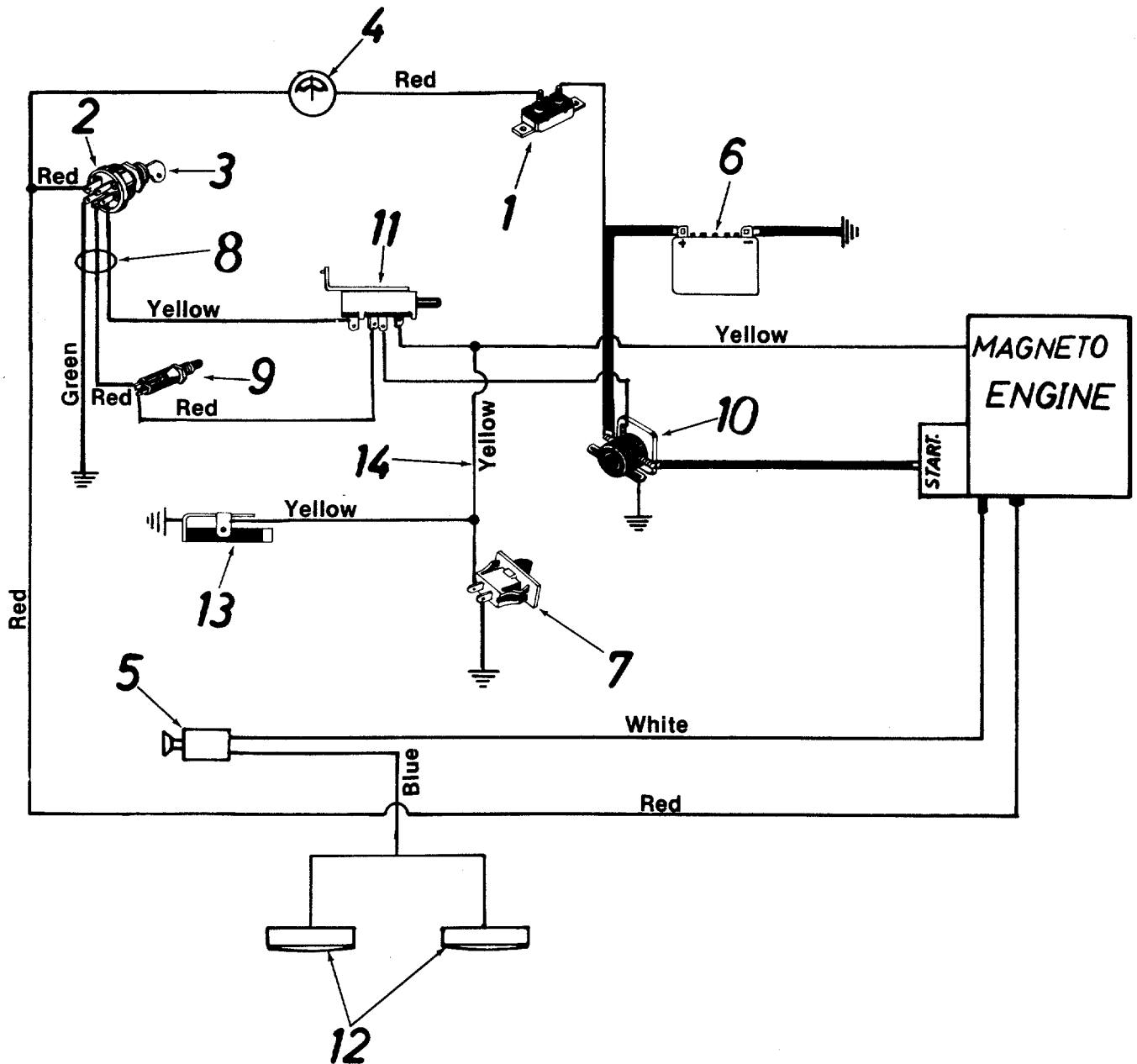
PARTS LIST FOR MODEL 527

REF. NO.	PART NO.	DESCRIPTION
1	12896	Hitch Plate
2	12895	Hitch Bracket
3	09389	Hitch Pin
4	710-0253	Hex Bolt 3/8-16 x 1" Lg.*
5	736-0169	L-Wash. 3/8" I.D.*
6	712-0798	Hex Nut 3/8-16 Thd.*
7	710-0118	Hex Bolt 5/16-18 x .75" Lg.*
8	736-0119	L-Wash. 5/16" I.D.*
9	712-0267	Hex Nut 5/16-18 Thd.*



*For faster service obtain standard nuts, bolts and washers locally. If these items cannot be obtained locally, order by part number and size as shown on parts list.

Model 527



**PARTS LIST FOR ELECTRICAL SYSTEM
LAWN TRACTOR MODEL 527**

REF. NO.	PART NO.	CODE	DESCRIPTION	REF. NO.	PART NO.	CODE	DESCRIPTION
1	725-0459		Circuit Breaker	8	725-0849A	N	Wiring Harness
2	725-0267		Ignition Switch	9	725-0577		Safety Switch (Drive)
3	725-1341B		Ignition Key	10	725-0771		Solenoid
4	725-0119		Ammeter	11	725-0465A	N	Safety Switch (Blade)
	725-0646		Headlight Switch	12	725-0417		Headlight
	725-0514A		Battery	13	725-0759		Spring Switch (Reverse)
7	725-0713		Safety Switch (Grass Catcher)	14	725-0712		Wire Lead

MTD PRODUCTS INC • P.O. BOX 360900 • CLEVELAND, OHIO 44136

Free Manuals Download Website

<http://myh66.com>

<http://usermanuals.us>

<http://www.somanuals.com>

<http://www.4manuals.cc>

<http://www.manual-lib.com>

<http://www.404manual.com>

<http://www.luxmanual.com>

<http://aubethermostatmanual.com>

Golf course search by state

<http://golfingnear.com>

Email search by domain

<http://emailbydomain.com>

Auto manuals search

<http://auto.somanuals.com>

TV manuals search

<http://tv.somanuals.com>