

BOSCH

INSTALLATION INSTRUCTION MANUAL for Bosch Electric Built-in Single & Double Oven Models HBL 73../74../75../76.. and Models HBN 74../75../76..



BEFORE YOU BEGIN, READ THESE INSTRUCTIONS COMPLETELY AND CAREFULLY

IMPORTANT: Save these instructions for the local electrical inspector's use.
INSTALLER: Please leave this manual with owner for future reference.
OWNER: Please keep this manual for future reference.

VEUILLEZ LIRE ATTENTIVEMENT CE MANUEL AVANT DE COMMENCER L'INSTALLATION

IMPORTANT: Conservez ce manuel pour l'inspecteur électrique local.
INSTALLATEUR: Veuillez remettre ce manuel au propriétaire de l'appareil
pour référence.
PROPRIÉTAIRE: Veuillez garder ce manuel et vous en servir pour
référence.

Table Of Contents

Introduction	3
Tools You Will Need	3
Power Requirements	3
Choosing Oven Location	3
Steps For Installation	3
Technical Data	4 – 5
HBL Models: Single Oven, Double Oven	4
HBN Models: Single Oven, Double Oven	5
Undercounter Installation	6
Single Oven	6
Wall Installation	7 – 8
Single Oven	7
Double Oven	8
Electrical Supply	9 – 10
Wiring Requirements	9 – 10
Connecting To 208 Volt Circuit	10
Electrical Connections	11
3-Wire Branch Circuit	11
4-Wire Branch Circuit	11
Final Checklist	12

INTRODUCTION

Please read these instructions COMPLETELY AND CAREFULLY. They will save you time and effort and help to ensure optimum oven performance. **Be sure to observe all WARNINGS.**

These installation instructions are intended for use by a qualified installer. In addition to these instructions, the oven shall be installed:

- In the United States, in accordance with the National Electric Code/State and Municipal codes and/or local codes.
- In Canada, in accordance with Canadian Electric Code C22.1-latest edition/Provincial and Municipal codes and/or local codes.

These shall be carefully followed at all times.

Note: If installing your oven in Canada please check to make sure that you have a model with the UL Canadian listing mark, as shown below:



The UL Canadian listing mark consists of the circled UL symbol preceded by the letter “C,” as shown. This should appear on the oven’s rating plate along with the UL United States listing mark, which is the circled UL symbol above but not preceded by the letter “C.”

TOOLS YOU WILL NEED

The following tools are needed to install your new oven:

- Tape measure and straightedge or ruler
- Pencil
- Phillips screwdriver
- Level
- Wire cutters and wire stripper
- 1-inch hole saw
- Hand or saber saw

POWER REQUIREMENTS

The oven must be supplied with the proper voltage and frequency. The oven is manufactured to be connected to a three-wire or four-wire, single phase, 240 Volt, 60 Hz AC electrical supply on a separate circuit fused on both sides of the line. If a 208 Volt circuit must be used, see *Connecting to 208 Volt Circuit*, in this manual. A circuit breaker or time-delay fuse sized not to exceed the circuit rating of the appliance specified on the rating plate located on the frame behind the door of the oven is recommended.

The oven must be supplied with copper wires **ONLY**.

It is recommended that you have the electrical wiring and hook-up of your oven performed by a qualified electrician. After installation is complete have the electrician show you where the main disconnect is and which of the circuit breakers/fuses are for the oven.

CHOOSING OVEN LOCATION

Carefully select the location where the oven will be placed. The oven should be located for convenient use in the kitchen, but away from strong drafts. Strong drafts may be caused by open doors or windows, or by heating and/or air conditioning vents or fans. Make sure that electrical power can be provided to the location selected.

STEPS FOR INSTALLATION

The following pages provide the necessary information for proper installation of the oven arranged as follows:

- Technical Data
- Installation Cutout Dimensions, Required Clearances and Mounting instructions for:
 - > Undercounter Installation, Single Oven
 - > Wall Installation, Single Oven
 - > Wall Installation, Double Oven
- Electrical Supply and Wiring Requirements, Programming required if connecting to 208 Volt Circuit. Electrical Connections for 3-wire or 4-wire Branch Circuit.
- Final Checklist

TECHNICAL DATA for HBL 73../74../75../76..

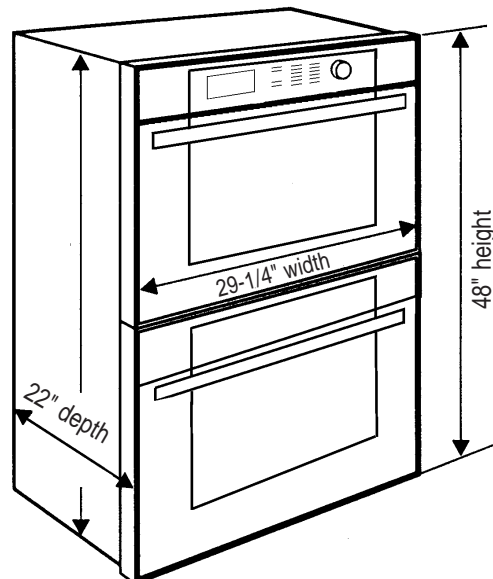
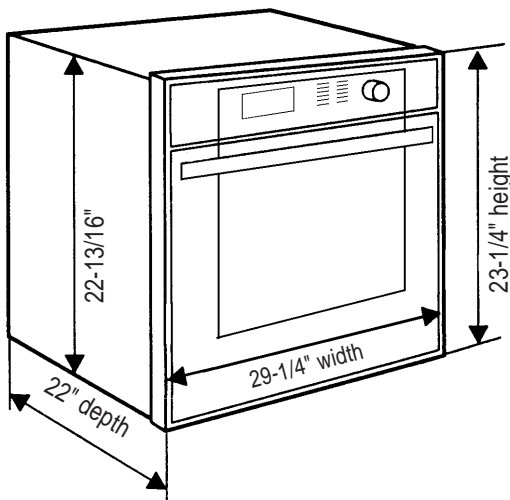
SINGLE OVEN

For cutout dimensions see following section titled:

Preparing Location

Single Oven Models	Electrical Ratings and Maximum Connected Load				Convection Oven
	Volts	Hertz	Amperes @240V/208V	Watts @240V/208V	
HBL 732A UC	240/208	60	15.4/17.2	3,600/3,500	No
HBL 735A UC	240/208	60	15.4/17.2	3,600/3,500	No
HBL 736A UC	240/208	60	15.4/17.2	3,600/3,500	No
HBL 742A UC	240/208	60	15.8/17.6	3,650/3,550	Yes
HBL 745A UC	240/208	60	15.8/17.6	3,650/3,550	Yes
HBL 746A UC	240/208	60	15.8/17.6	3,650/3,550	Yes

SINGLE OVEN



DOUBLE OVEN

For cutout dimensions see following section titled:

Preparing Location

Double Oven Models	Electrical Ratings and Maximum Connected Load				Convection Oven (top/bottom)
	Volts	Hertz	Amperes @240V/208V	Watts @240V/208V	
HBL 752A UC	240/208	60	31.2/34.8	7,250/7,050	Yes/No
HBL 755A UC	240/208	60	31.2/34.8	7,250/7,050	Yes/No
HBL 756A UC	240/208	60	31.2/34.8	7,250/7,050	Yes/No
HBL 765A UC	240/208	60	31.6/35.2	7,300/7,100	Yes/Yes

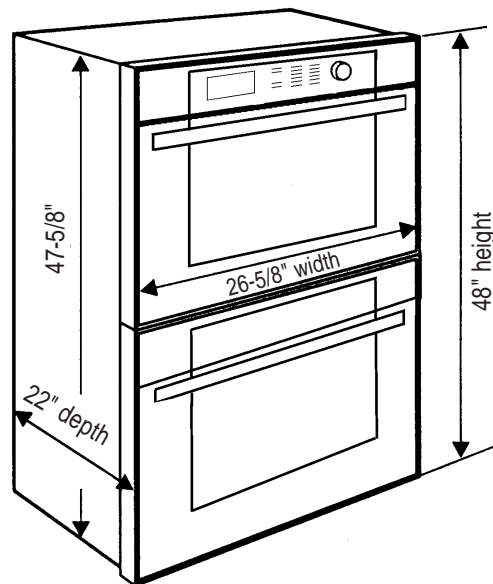
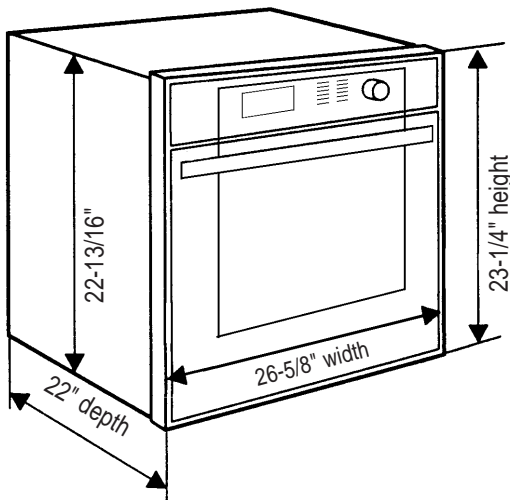
TECHNICAL DATA for HBN 74../75../76..

SINGLE OVEN

For cutout dimensions see following section titled:
Preparing Location

Single Oven Models	Electrical Ratings and Maximum Connected Load				Convection Oven
	Volts	Hertz	Amperes @240V/208V	Watts @240V/208V	
HBN 742A UC	240/208	60	15.8/17.6	3,650/3,550	Yes
HBN 745A UC	240/208	60	15.8/17.6	3,650/3,550	Yes
HBN 746A UC	240/208	60	15.8/17.6	3,650/3,550	Yes

SINGLE OVEN

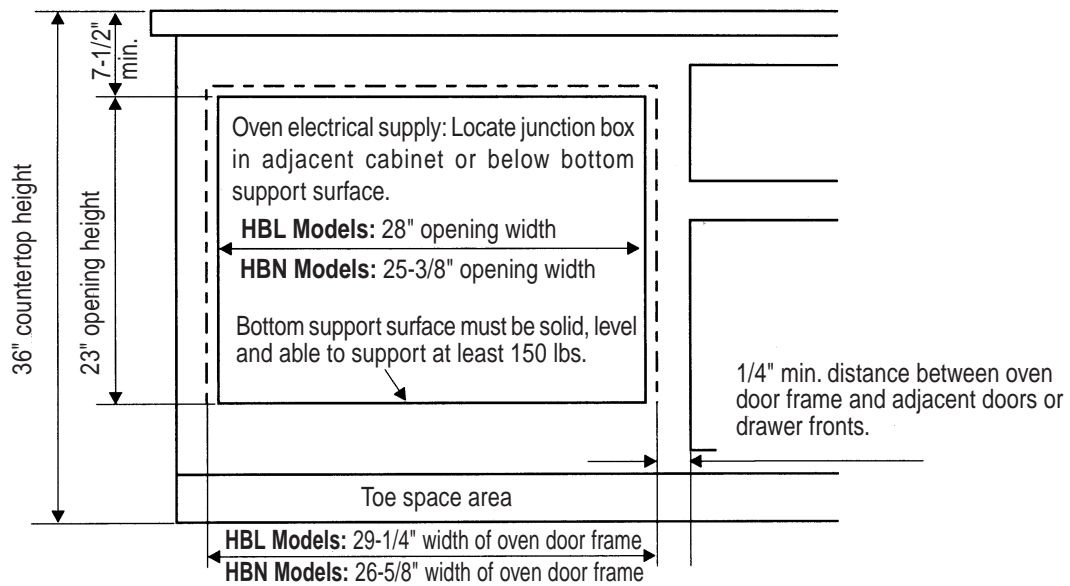


DOUBLE OVEN

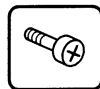
For cutout dimensions see following section titled:
Preparing Location

Double Oven Models	Electrical Ratings and Maximum Connected Load				Convection Oven (top/bottom)
	Volts	Hertz	Amperes @240V/208V	Watts @240V/208V	
HBN 752A UC	240/208	60	31.2/34.8	7,250/7,050	Yes/No
HBN 755A UC	240/208	60	31.2/34.8	7,250/7,050	Yes/No
HBN 756A UC	240/208	60	31.2/34.8	7,250/7,050	Yes/No
HBN 765A UC	240/208	60	31.6/35.2	7,300/7,100	Yes/Yes

UNDERCOUNTER INSTALLATION, SINGLE OVEN



NOTE: Decorative inserts must maintain minimum spacing as shown.



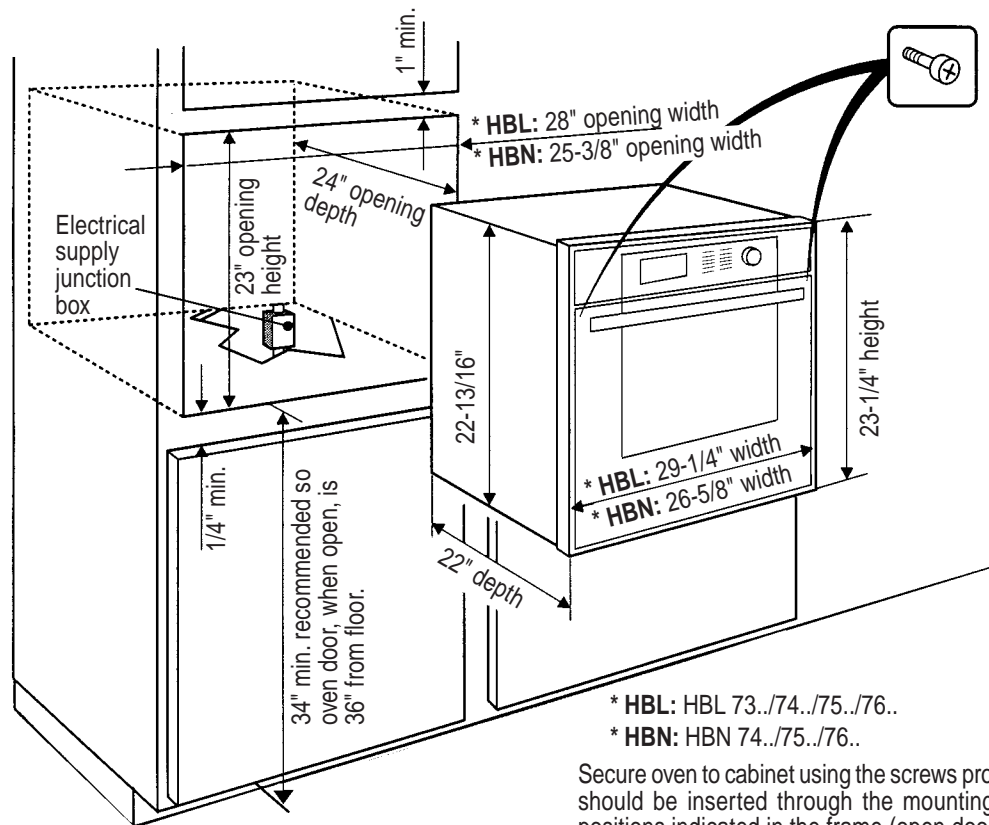
Secure oven to cabinet using the screws provided. Screws should be inserted through the mounting holes in the positions indicated in the frame (open door to see frame and mounting holes). Do not over-tighten screws.

NOTE: Decorative inserts must maintain minimum spacing as shown.

1/4" minimum spacing if decorative filler panels are used.

Refer to and follow Notes and Warning listed under Wall Installation, Single Oven (facing page)

WALL INSTALLATION, SINGLE OVEN



* HBL: HBL 73../74../75../76..

* HBN: HBN 74../75../76..

Secure oven to cabinet using the screws provided. Screws should be inserted through the mounting holes in the positions indicated in the frame (open door to see frame and mounting holes). Do not overtighten screws.

- Note:**
1. Do not slide oven across floor. Damage to floor covering or floor could result.
 2. The oven support surface must be a minimum 3/4" thick plywood platform, solid, level and flush with the bottom of the cabinet cutout.
 3. Use extreme caution when moving or installing the oven. It is very heavy.
 4. Be very careful when moving or installing the oven to avoid damage to the oven frame or damage to the cabinets.
 5. Be sure to level the oven. An oven that is not level may provide poor or inconsistent baking results.

6. Be careful when placing oven. DO NOT pinch the conduit between the oven back or wall and the inner cabinet wall or floor.

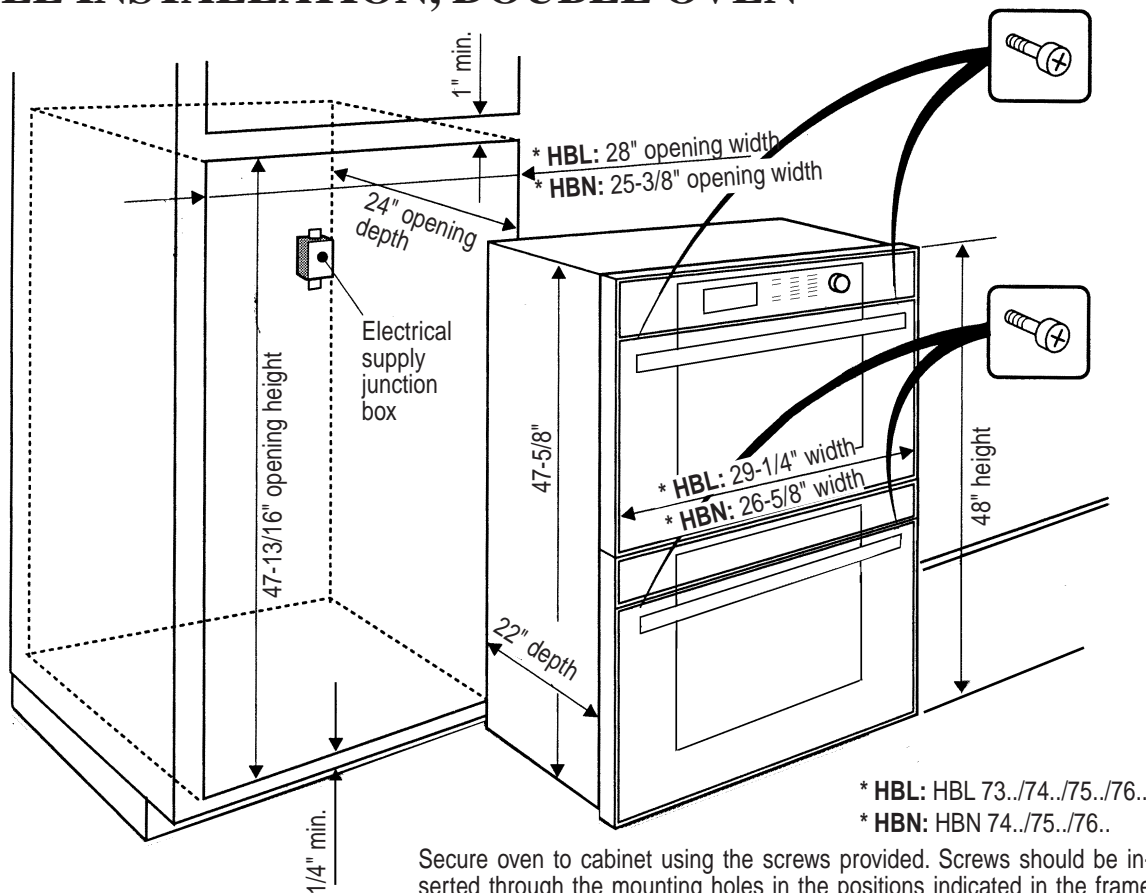
WARNING

Securely fasten oven to cabinet using the screws provided. Failure to do so could result in oven moving or tipping during use and causing damage to the oven or cabinets or personal injury.

MISE EN GARDE

Fixez bien le four à l'armoire à l'aide des vis fournies. Si vous ne le faites pas, cela pourrait résulter en un déplacement ou un basculement du four et pourrait endommager le four, les armoires ou encore causer des blessures.

WALL INSTALLATION, DOUBLE OVEN



Secure oven to cabinet using the screws provided. Screws should be inserted through the mounting holes in the positions indicated in the frame (open door to see frame and mounting holes). Do not overtighten screws.

- Note:
1. Do not slide oven across floor. Damage to floor covering or floor could result.
 2. The oven support surface must be a minimum 3/4" thick plywood platform, solid, level and flush with the bottom of the cabinet cutout.
 3. Use extreme caution when moving or installing the oven. It is very heavy.
 4. Be very careful when moving or installing the oven to avoid damage to the oven frame or damage to the cabinets.
 5. Be sure to level the oven. An oven that is not level may provide poor or inconsistent baking results.

6. Be careful when placing oven. DO NOT pinch the conduit between the oven back or wall and the inner cabinet wall or floor.

⚠ WARNING

Securely fasten oven to cabinet using the screws provided. Failure to do so could result in oven moving or tipping during use and causing damage to the oven or cabinets or personal injury.

⚠ MISE EN GARDE

Fixez bien le four à l'armoire à l'aide des vis fournies. Si vous ne le faites pas, cela pourrait résulter en un déplacement ou un basculement du four et pourrait endommager le four, les armoires ou encore causer des blessures.

ELECTRICAL SUPPLY

Before installing the oven have a qualified electrician verify that your home is provided with adequate electrical service and that the addition of the oven will not overload the branch circuit on which it is to be installed. A separate three-wire or four-wire single phase, 240 Volt, 60 Hz, or a 208 Volt, 60 Hz branch circuit is required.

NOTE: For use with 208 V, 60 Hz supply voltage, see *Connecting to 208 Volt Circuit*.

For hook-up of the oven you will need to have an approved junction box installed where it will be easily reached through the front of the cabinet where the oven will be located. The oven has 3 feet of conduit. Allow two to three feet of slack in the line so that the oven can be moved if servicing is ever necessary. **DO NOT** shorten the flexible conduit.

WARNING

ELECTRICAL SHOCK HAZARD

- The electrical power to the oven branch circuit must be shut off while line connections are being made.
- Do not use an extension cord with this appliance.
- Electrical ground is required on this appliance. The free end of the green wire (the ground wire) must be connected to a suitable ground.

This wire must remain grounded to the oven.

- If cold water pipe is interrupted by plastic, nonmetallic gaskets, union connections or other insulating materials, **DO NOT** use for grounding.
- **DO NOT** ground to a gas pipe.
- **DO NOT** have a fuse in the **NEUTRAL** or **GROUNDING** circuit. A fuse in the **NEUTRAL** or **GROUNDING** circuit could result in an electrical shock.
- Check with a qualified electrician if you are in doubt as to whether the appliance is properly grounded.

Failure to follow these instructions could result in serious injury or death.

WIRING REQUIREMENTS

When making the wire connections, use the entire length of the conduit provided (3 feet). The conduit must not be cut.

Before making connections make sure the power is off and read and observe the following:

1. A separate three-wire or four wire, single phase, 240 Volt, 60 Hz or 208 Volt, 60 Hz branch circuit is required for the oven.
2. The oven must be connected with **COPPER WIRE ONLY**.
3. **In the United States:**

Wiring must conform to the National Electrical Code, ANSI/NFPA No. 70 latest edition.

You can obtain a copy of the National Electrical Code by writing:

National Fire Protection Association
Batterymarch Park
Quincy, MA 02269

MISE EN GARDE

DANGER DE CHOC ELECTRIQUE

- Le courant électrique alimentant le four doit être coupé durant le branchement.
- N'utilisez pas de rallonge électrique avec cet appareil.
- Cet appareil nécessite une mise à la terre. L'extrémité du fil vert (fil de mise à la terre) doit être reliée à une mise à la terre adéquate. Ce fil électrique doit rester relié au four.
- Si les tuyaux d'eau froide comportent des parties en plastique, des joints non-métalliques ou d'autres matériaux isolants, **NE LES UTILISEZ PAS** pour la mise à la terre.
- **N'UTILISEZ PAS DE TUYAUX DE GAZ** pour la mise à la terre.
- Ne placez pas de fusible sur le fil **NEUTRE** ou le fil de **MISE A LA TERRE**. Un tel fusible pourrait resulter en un choc électrique.
- Si vous avez le moindre doute, faites vérifier par un électricien que votre appareil est bien mis à la terre.

Le fait de ne pas se conformer à ces instructions peut entraîner de sérieuses blessures ou la mort.

In Canada:

Wiring must conform to Canadian Electrical Code C22.1- latest edition.

You can obtain a copy of the Canadian Electrical Code by writing:

Canadian Standards Association
178 Rexdale Boulevard
Rexdale (Toronto), Ontario, Canada
M9W 1R3

4. Wire size (COPPER WIRE ONLY) and connections must be suitable for the rating of the appliance per the National Electrical Code requirements. The flexible armored cable extending from the oven should be connected directly to the junction box.
5. The junction box should be located so as to allow as much slack as possible between the junction box and the oven so it can be moved if servicing is ever required.
6. A U.L. listed conduit connector must be provided at each end of the power supply cable.

CONNECTING TO 208 VOLT CIRCUIT

This option is provided for areas where standard 240 Volt service is not available. This option must be accessed with the oven connected to power source, with the oven door (*upper oven in double oven*) open, and using the following sequence:

1. Touch CANCEL pad.
2. Turn rotary knob clockwise until you hear *6 double beeps*.
3. Turn rotary knob counter-clockwise until you hear *9 double beeps*.
4. Touch START pad.
5. Touch COOKING MODE pad; this sets oven to 208 Volts.
6. Touch START pad to save selection of 208 Volts.

ELECTRICAL CONNECTIONS

This appliance is manufactured with a green GROUND wire connected to the oven chassis. After making sure that the power has been turned off, connect the flexible conduit from the oven to the junction box using a U.L. listed conduit connector. Figures A and B and the instructions provided below present the most common way of connecting the ovens. Your local codes and ordinances, of course, take precedence to these instructions. Complete electrical connections according to local codes and ordinances.

3-WIRE BRANCH CIRCUIT

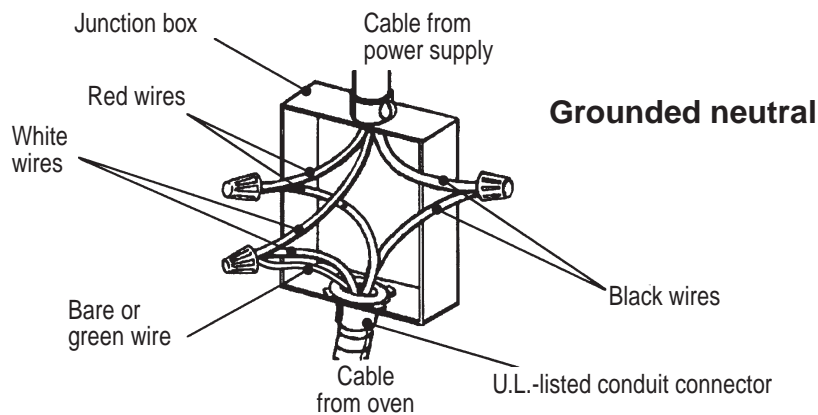
Refer to Figure A, where local codes allow the connection of GROUND wire from the oven to the branch circuit NEUTRAL wire (grey or white colored wire):

- If local codes permit, connect the green

GROUND wire from the oven and the white wire from the oven to the branch circuit NEUTRAL wire (grey or white colored wire).

- Connect the red and black leads from the oven to the corresponding leads in the junction box.

Figure A



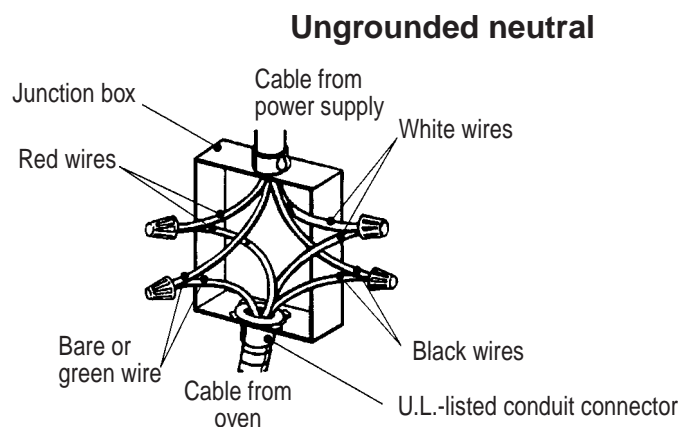
4-WIRE BRANCH CIRCUIT

Refer to Figure B:

- Connect the green GROUND wire from the oven to the GROUND wire in the junction box (bare or green colored wire).

- Connect the red and black leads from the oven to the corresponding leads in the junction box.
- Connect the white wire from the oven to the NEUTRAL (grey or white) wire in the junction box.

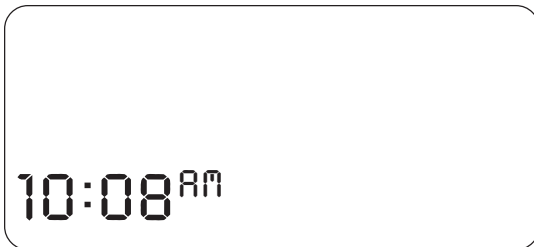
Figure B



FINAL CHECKLIST

To prevent improper connections leading to damage of electrical components and so voiding the warranty, the following steps must be performed:

1. Check the electrical requirements and make sure you have the correct electrical supply and that the oven is properly grounded.
2. Turn on the power supply to the oven. When the oven is first turned on, a time will flash on the clock. This is the time of the last power interruption.



3. Check power at the junction box wires using a volt meter having a range of 0-250 VAC. If you have installed the oven for use on 240 Volt supply, you should find that the voltage reading between the black and red wires (Line to Line) should be 220 to 240 Volts. If you have modified the oven(s) for use on 208 Volt, the voltage reading between the black and red wires should be 190 to 208 Volts.

4. Set the clock by following these steps:
 - a). Touch TIME pad.
 - b). Turn rotary knob clockwise until CLOCK appears.
 - c). Touch TIME pad.
 - d). Turn rotary knob in either direction. The time displayed will change in 10-minute increments and indicate AM or PM. Turn the knob in the opposite direction and the display will change in one-minute increments.
 - e). Touch TIME pad. The clock is now set.
5. Test the BAKE mode with the following steps:
 - a). Touch COOKING MODE pad.
 - b). Turn rotary knob clockwise until BAKE appears.
 - c). Touch START pad. The cooling fan and oven lights turn on and the word, PREHEAT, is displayed.
 - d). The control will beep and the word, PREHEAT, will disappear when the set temperature (350° F) is reached.
 - e). Touch CANCEL pad to turn oven off.
6. To check the other oven functions refer to the *Using the Oven Controls* section of the USE AND CARE MANUAL.
7. If the oven is working properly, press the rotary knob so that it is flush with the oven and turn off the power supply to the oven.
8. Place the cover on the junction box and make sure the cover is securely fastened and turn on the power to the oven.
9. Leave these INSTALLATION instructions as well as the USE AND CARE MANUAL with the owner.

BOSCH

5551 McFadden Avenue, Huntington Beach, CA 92649 • 800/735-4328
09BH0260 • © 2002 BSH Home Appliances Corp. • Litho in USA 1/02

Free Manuals Download Website

<http://myh66.com>

<http://usermanuals.us>

<http://www.somanuals.com>

<http://www.4manuals.cc>

<http://www.manual-lib.com>

<http://www.404manual.com>

<http://www.luxmanual.com>

<http://aubethermostatmanual.com>

Golf course search by state

<http://golfingnear.com>

Email search by domain

<http://emailbydomain.com>

Auto manuals search

<http://auto.somanuals.com>

TV manuals search

<http://tv.somanuals.com>