

**3** YEAR  
GUARANTEE  
 **BOSCH**  
Invented for life



## Built-in Appliances 2008



**BOSCH**

Invented for life



## Comfort

### Oven carriage

The oven carriage provides convenience of a special kind. Wire grills and baking sheets are simply hung onto the door and pulled out as it is opened, so there's no need to reach into the hot oven and both hands are free for the work at hand. Available on HBN 334551.



### Telescopic extension rails/shelves

Extendible telescopic shelves are available as an additional component for all ovens as fully extendable shelves or semi-extendable rails. They allow you to draw out wire shelves and baking trays on three levels. Allowing you to not have to reach into a hot oven when basting a roast. Integrated in HBN 23 T 551 J. For all other units, available as an accessory.



Let our **passion** become your inspiration

### Oven lighting

Halogen lights provide excellent illumination. For some models the oven light can be switched on even when the door is closed, allowing you to see what is happening inside the oven anytime. The SoftLight function allows for a smooth dimming function.



### Eco Clean

This world innovation ensures that hard to reach areas are cleaned effectively. The ceramic spherules in the surface allow for a profound increase of grease. Oxygen, bound in the ceramic, breaks down the soiling from all sides when the oven is hot. The oxygen stores are regenerated during normal oven operation. This new system is able to extend the average service life of the appliance. Four times more soiling cycles can be run in comparison to other existing conventional catalytic systems. Selected models come equipped standard with rear wall EcoClean liners. Sidewall liners and ceilings are available as accessories.



### Granite Enamel

A new attractive lighter grey enamel cavity provides easy cleaning with an extreme scratch and acid resistant surface.

### Full glass inner door

The new full glass inner door not only looks elegant but is also easy to clean. When opened you can comfortably place trays or roasters on the door.



### XXL oven cavity

The external dimensions of the new ovens are the same but the inner cavity has become XXL in size. There is no other 60 cm wide oven, which offers as much space, with a capacity of up to 65 litres. With 10 % larger baking trays offering space for loads of pastries as well as for a large turkey.

### XXL oven window

The new oven windows, which have been enlarged from between 40% to 80%, allow for an overall view of cakes or roasts. This is particularly beneficial when baking on several levels.



### Safety

#### Child lock

It's an effective child protection system as it prevents unauthorised access to oven and hot plate functions.

### Cool touch front

Quadruple glazing incorporated into the ventilated door design keeps the front door temperature between 40°C -60°C. This saves energy and ensures a safe environment for you and your children in the kitchen.



### Automatic safety switch off

In the event that the appliance senses no further instructions after a specific time period, it will switch off automatically, this is dependent on the temperature after 30min-10hours.

### Saves Time

#### Quick heat (automatic/manual)

The quick start oven heating system will ensure that oven reaches the desired temperature up to 35% faster without consuming more energy, e.g. it takes only 5 minutes to reach 180°C. Once the temperature has been reached, the oven automatically switches to the pre-selected heating method. For manually operated models an acoustic signal resounds to select the heating method.





### Multifunction 3-D premium/comfort

Multifunction 3-D comfort means easy operation, professional roasting and baking together with optimised safety. Large contrasting read-outs gives you the time of day, selected temperature and heating method. The 3-D PREMIUM ovens offer an additional automatic roasting facility with 24 programmes that allow you to prepare the most ambitious dishes. Available on HBN 560551 B or HBN 334551.

### Electronic clock/child lock

Large contrasting read-outs give you the time of day. An alarm clock and a Start/Stop function are included, which allows you to set up the on/off switch of the oven. All models with electronic clock have the child lock protection system.



## Heating Methods



### Defrost

The defrosting heating method is perfect for gentle defrosting of frozen food items.



### Top/bottom heat

Top/ bottom heat is the classical heating method for all items you want to bake or roast.



### Top/bottom heat special

The heating method top/ bottom heat special prevents cakes and pastries from drying out. So it's ideal for moist cakes, yeast-risen pastries or frozen pastries.



### Separate bottom heat

Separated bottom heat allows you to brown cakes and pastries or to heat dishes in a Bain Marie.



### 3-D hot air

By means of 3-D hot air, cooking cakes and biscuits can be prepared on up to three levels at the same time.



### Pizza function

The pizza level combines hot air cooking and bottom heat. This is ideal when preparing frozen food like pizza or French fries without preheating.



### Hot air grilling

The hot air grilling system prepares large roasts, such as duckling or goose, with a rotary spit quality. This is done by the grill and fan being switched on and off alternatively (patented interval control mode).



### Large surface grill

The large surface grill is ideal when you would like to prepare fish, steaks or toast in the oven. It's also suited for au gratin dishes.



### Small surface grill

When you use the small surface grill only the middle part of the grill-heating element is heated. This is the ideal setting for small amounts, e.g. four slices of toast.



### Intensive heat

Intensive heat is ideal for pizza, bread and frozen food because of the unsurpassed strong bottom heat.



### Keep warm function

The keep warm function keeps the correct temperature for a longer period of time. Plates and cups are kept at the correct temperature by means of the preheat function.

# Bosch Ovens

## HBL 3552 – 90 cm Oven



### MULTIFUNCTION



### HEATING METHODS (8)

- Defrosting, top/bottom heat, bottom heat, hot air, 3D hot air, hot air grilling, Large surface grill, Top heat

### COMFORT AND SAFETY

- Maximum oven temperature 250°C
- Electronic clock
- Cool front, oven door below 50°C
- Cool air ventilation
- 66L oven cavity

### CLEANING

- Easy cleaning enamel oven walls

### DESIGN

- Interior lights

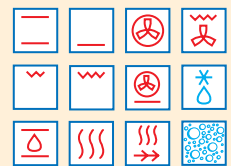
### STANDARD ACCESSORIES

- 1 Enamel baking tray
- 1 Combination Grid

Overall (H x W x D): 47.4 x 89.4 x 54.5 cm  
Aperture (H x W x D): 46.0 x 86.0 x 55.0 cm  
Capacity: 66 litres  
Rating: 2800 W



## HBN 36 L 651 (left-hinged) Eye-Level Oven HBN 36 R 651 (right-hinged) Eye-Level Oven



### MULTIFUNCTION 3D PREMIUM

### HEATING METHODS (10)

- Top/bottom heat, bottom heat, 3D hot air, hot air grilling, small and large area surface grill, Pizza mode, defrost, top/bottom heat special, keep warm

### COMFORT AND SAFETY

- Maximum oven temperature 300°C
- Symbol display with automatic temperature display
- 24 Automatic Roasting Programmes
- Sabbath function
- XL – Oven cavity 58 litres with Granite Enamel
- Quick heat (pre-heats 35% quicker)
- Electronic clock
- Safety switch off
- Child lock to prevent unsupervised operation of the appliance
- Cool Front, oven front is below 40°C
- Oven light, separate on/off button

### CLEANING

- EcoClean system, easy clean of coated surfaces (back)
- Grease and odour catalysator
- Full glass inner door

### DESIGN

- Full glass or stainless steel front
- Bar handle, Pop-up controls

### STANDARD ACCESSORIES

- 1 enamel baking tray, 1 universal pan, 1 combo grid

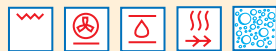
Overall (H x W x D):  
59.5 x 59.5 x 54.8 cm  
Aperture (H x W x D):  
57.5 x 59.7 x 56.0 x 55.0 cm  
Capacity: 58 litres



## HBN 560551 B Eye-level Oven



### MULTIFUNCTION 3-D PREMIUM



### HEATING METHODS (8)

- Top/bottom heat, bottom heat, 3D hot air, hot air grilling, radiant small and large surface grill, pizza mode, top/bottom heat special

### COMFORT AND SAFETY

- Maximum oven temperature 300°C, exact electronic temperature control
- Symbol display
- 24 automatic roasting programmes
- XL – Oven cavity 58 litres with Granite Enamel
- Quick heat (pre-heats 35% quicker)
- Electronic clock
- Safety switch off
- Child lock to prevent unsupervised operation of the appliance
- Cool front, oven front is below 50°C
- Oven light, separate on/off button

### CLEANING

- EcoClean system, easy clean of coated surfaces
- Grease and odour catalysator
- Full glass inner door

### DESIGN

- Bar handle, pop-up controls

### STANDARD ACCESSORIES

- 1 wire rack
- 1 grill wire
- 1 universal pan
- Handle for removing pan

Overall (H x W x D):  
59.5 x 59.5 x 54.8 cm  
Aperture (H x W x D):  
59.5 x 56.0 x 55.0 cm  
Capacity: 58 litres



## HBN 334551 Eye-level Oven



### MULTIFUNCTION 3-D COMFORT



### HEATING METHODS (8)

- Defrosting, top/bottom heat, bottom heat, 3D hot air, hot air grilling, radiant small and large surface grill, pizza mode

### COMFORT AND SAFETY

- Oven carriage mechanical
- Maximum oven temperature 270°C, electronic controlled
- XXL – Oven cavity 65 litres with Granite Enamel
- Quick heat (pre-heats 35% quicker)
- Electronic clock
- Child lock to prevent unsupervised operation of the appliance
- Cool front, oven front is below 50°C
- Oven light

### CLEANING

- EcoClean system, easy clean of coated surfaces
- Grease and odour catalysator
- Full glass inner door

### DESIGN

- Bar handle, pop-up controls

### STANDARD ACCESSORIES

- 1 enamel baking tray
- 1 universal pan
- 1 grid

Overall (H x W x D):  
59.5 x 59.5 x 54.8 cm  
Aperture (H x W x D):  
57.5-59.7 x 56.0 x 55.0 cm  
Capacity: 65 litres



## HBN 23 T 551 J Eye-level Oven



### MULTIFUNCTION



### HEATING METHODS (6)

- Top/bottom heat, bottom heat, 3D hot air, hot air grilling, large grill

### COMFORT AND SAFETY

- Maximum oven temperature 270°C, electronic controlled
- XL oven cavity, 58 litres with Granite Enamel
- Symbol display
- Quick Heat (pre-heats oven 35% quicker)
- Electronic clock
- Telescopic extension rails included
- Child lock to prevent unsupervised operation of the appliance
- Cool front, oven front is below 50°C

### CLEANING

- EcoClean system, easy clean of coated surfaces
- Grease and odour catalysator
- Full glass inner door

### DESIGN

- Bar Handle, pop-up controls

### STANDARD ACCESSORIES

- 1 enamel baking tray
- 1 universal pan
- 1 grid

Overall (H x W x D):

59.5 x 59.5 x 54.8 cm

Aperture (H x W x D):

57.5 – 59.7 x 56.0 x 55.0 cm

Capacity: 58 litres



Includes 3 telescopic extension rails

## HBN 230250 E Eye-level Oven



### MULTIFUNCTION



### HEATING METHODS (7)

- Defrosting, top/bottom heat, bottom heat, hot air, hot air grilling, variable small and large surface grill

### COMFORT AND SAFETY

- Maximum oven temperature 250°C
- XL oven cavity, 58 litres with Granite Enamel
- Electronic clock
- Child lock to unsupervised operation of the appliance
- Cooling fan
- Oven light

### CLEANING

- EcoClean system, easy clean of coated surfaces
- Full glass inner door

### DESIGN

- Bar handle

### STANDARD ACCESSORIES

- 1 enamel baking tray
- 1 aluminium baking tray
- 1 grid

Overall (H x W x D):

59.5 x 59.5 x 54.8 cm

Aperture (H x W x D):

57.5-59.7 x 56.0 x 55.0 cm

Capacity: 58 litres



## HBN 210250 E Eye-level Oven



### MULTIFUNCTION



### HEATING METHODS (7)

- Defrosting, top/bottom heat, bottom heat, hot air, hot air grilling, radiant small and large surface grill

### COMFORT AND SAFETY

- Maximum oven temperature 250°C
- XL oven cavity, 58 litres with Granite Enamel
- Mechanical timer
- Cooling fan
- Oven light

### CLEANING

- EcoClean system, easy clean of coated surfaces
- Smooth cavity
- Full glass inner door

### DESIGN

- Bar handle

### STANDARD ACCESSORIES

- 1 enamel baking tray
- 1 aluminium baking tray
- 1 grid

Overall (H x W x D):

59.5 x 59.5 x 54.8 cm

Aperture (H x W x D):

57.5-59.7 x 56.0 x 55.0 cm

Capacity: 58 litres



## HBN 110250 Eye-level Oven



### CONVENTIONAL

### HEATING METHODS (4)

- Top/bottom heat, bottom heat, radiant small and large surface grill

### COMFORT AND SAFETY

- Maximum oven temperature 250°C
- XL oven cavity, 58 litres with Granite Enamel
- Mechanical timer
- Cooling fan
- Oven light

### CLEANING

- Smooth oven cavity

### DESIGN

- Bar handle

### STANDARD ACCESSORIES

- 1 enamel baking tray
- 1 grid

Overall (H x W x D):

59.5 x 59.5 x 54.8 cm

Aperture (H x W x D):

57.5-59.7 x 56.0 x 55.0 cm

Capacity: 58 litres



## HEN 100250 E Under-counter Oven



### CONVENTIONAL

#### HEATING METHODS (4)

- Top/bottom heat, bottom heat, radiant small and large surface grill

#### COMFORT AND SAFETY

- Maximum oven temperature 250°C
- XL oven cavity, 58 litres with Granite Enamel
- Oven light

#### CLEANING

- Smooth oven cavity

#### DESIGN

- Bar handle

#### STANDARD ACCESSORIES

- 1 enamel baking tray
- 1 grid

Overall (H x W x D):  
59.5 x 59.5 x 54.8 cm  
Aperture (H x W x D):  
57.5-59.7 x 56.0 x 55.0 cm  
Capacity: 58 litres

**HEN 100250 E – Stainless Steel**

**HEN 100220 E – White**

**HEN 100260 E – Black**



## DHU 635 GZA Extractor – 60 cm

### EXHAUST OR RECIRCULATING OPERATION

#### COMFORT AND SAFETY

- Grease filter, adjustable perspex cover
- 3 power levels
- Includes metal and carbon filter

#### DESIGN

- Separate light switch
- Worktop lighting – 1 x 40 Watt

Unit dimensions (H x W x D): 14.0 x 60.0 x 51.0 cm

Rating: 130 W

Max. extraction: 300 m<sup>3</sup>/h

**DHU 635 GZA – Stainless Steel**

**DHU 636 GZA – Black**

**DHU 632 GZA – White**



## NKE 625 A 01 Ceramic Hob – 60cm

### CERAMIC HOB WITHOUT CONTROLS

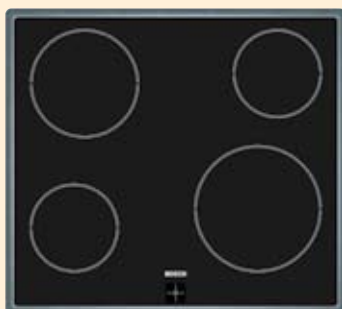
#### COMFORT AND SAFETY

- 4 High Speed cooking zones
- 4 fold residual heat indicators

#### DESIGN

- Brushed Stainless steel frame
- To be combined with under-counter oven HEN...

Overall (H x W x D): 4.5 x 57.6 x 51.8 cm  
Aperture (H x W x D): 4.5 x 56.0 x 50.0 cm  
Rating: 6400W



## NCM 615 A 01 Stainless Steel Hob – 60 cm

### ENAMEL HOB WITHOUT CONTROLS

#### COMFORT AND SAFETY

- 2 speed plates
- 2 normal plates

#### DESIGN

- Stainless steel

Overall (H x W x D): 5.6 x 58.0 x 51.0 cm  
Aperture (H x W x D): 3.9 x 56.0 x 49.0 cm  
Rating: 7000 W

**NCM 615 A 01 – Stainless Steel**

**NCM 616 A 01 – Black**

**NCM 612 A 01 – White**



# Bosch Under-counter Set Options



## Steam cooking is the ideal form of gentle cooking

For vegetables, fish, meat and casseroles. Cooking with steam makes the use of oil a thing of the past, as you are able to prepare a healthy meal while still enjoying all the added benefits of a dish bursting with colour, nutrients and flavour. The stainless steel interior of the steamer can accommodate up to two cooking levels simultaneously enabling you to cook a meal with fish and vegetables at the same time, with both still retaining their own unique flavour.

## HBC 26 D 550 B Steamer

### BUILT-IN STEAM COOKER

#### HEATING METHODS

- Pressureless Steam cooking between 40°C to 100°C
- 100% Steam

#### COMFORT AND SAFETY

- Electronic control of water supply and temperature
- 37 automatic programmes
- Automatic temperature proposal
- Clear text display for cooking functions and automatic programmes
- Timer and clock function
- Cleaning Programme
- Childproof lock

#### DESIGN

- Retractable push buttons
- Stainless Steel oven cavity
- Removable Water reservoir, 1.3L

#### STANDARD ACCESSORIES

- Grid
- Perforated tray
- Unperforated tray

Overall: (H x W x D):

45.4 x 59.4 x 52.0 cm

Aperture (H x W x D):

45.0 x 56.0 x 55.0cm

Interior Capacity: 35 litre



**Bosch** Steamer



## HBC 86 K 751 Gourmet Built-in Microwave Oven



### BUILT IN MICROWAVE OVEN

#### MICROWAVE AND HEATING METHODS (7)

- Microwave 900 W with 5 power levels
- Top/bottom heat, hot air, 3D hot air, variable grill, hot air grilling, bottom heat, intensive heat
- Microwave can be used separately or in combination with all heating methods

#### COMFORT AND SAFETY

- Weight automatic – 51 programmes
- Exact temperature control 30°C-300°C
- Quick heat (oven heats up 35% faster)
- 3 level programming microwave
- Memory function (6)
- Child lock to prevent unsupervised operation of the appliance
- Electronic clock

#### CLEANING

- Back and top with EcoClean panels – easy clean of coated surfaces

#### DESIGN

- Digital display with clear text
- Pop-up controls
- Enamelled interior

#### STANDARD ACCESSORIES

- Combi grid
- Universal tray

Overall (H x W x D):  
45.4 x 59.5 x 52.0 cm  
Aperture (H x W x D):  
45.0 x 56.0 x 55.0 cm  
Capacity: 42 litres  
Rating: 3600 W



## HBC 86 Q 651 Quantum Speed Oven



### BUILT-IN HALOGEN LIGHT MICROWAVE OVEN

#### PERFECTED HEATING SYSTEMS DUE TO COMBINATION OF HALOGEN LIGHT, FLAT PANEL HEATERS, QUARTZ GRILL AND MICROWAVE. SAVES UP TO 70% TIME COMPARED TO MULTI-FUNCTIONS OVENS

#### MICROWAVE AND HEATING METHODS (4)

- 900 W microwave with 5 power levels
- Top/bottom heat till 250°C, hot air, variable quartz grill (3 settings), halogen lights intensive setting, separate bottom heat
- Microwave can be used separately or in combination with all other heating methods (except intensive setting)
- Halogen light in pre-programmed settings

#### COMFORT AND SAFETY

- Electronic clock
- Memory function (6 memory options)
- 3-stage programming (microwave)
- Weight automatic programmes
- Child lock to prevent unsupervised operation of the appliance

#### DESIGN

- Clear text display for heating methods and automatic programmes
- Easy control electronics with pop-up controls
- 40 cm turntable
- Stainless steel interior

Overall (H x W x D):  
45.8 x 59.5 x 46.7 cm  
Aperture (H x W x D):  
45.0 x 56.2 x 55.0 cm  
Capacity: 34 litres  
Rating: 3600 W



## HMT 9856 Microwave



### BUILT-IN MICROWAVE WITH grill

#### MICROWAVE AND HEATING METHODS

- 1000W microwave with 5 power levels, 1000/600/360/180/90W
- Variable grill 1300W (up to 3 levels)

#### COMFORT AND SAFETY

- Inverter technology, time - / energy saving
- Microwave and grill can be used separately or combined together (up to 600W microwave)
- Up to 3 microwave and grill combinations can be programmed consecutively
- Cook-by-weight facility, 10 programmes
- Memory button
- 34 cm diameter glass turntable

#### DESIGN

- User friendly electronics with push-buttons and digital display
- Stainless Steel interior
- Built-in frame incl.

Overall (H x W x D):  
31.0 x 51 x 39 cm  
Aperture (H x W x D):  
38 x 56.2 x 55 cm  
Capacity: 27 litres  
Rating: 2620 W



## HSC 290651 Warmer Drawer – 290 mm high



### WARMER DRAWER

#### IDEAL FOR YEAST DOUGH, DEFROSTING, KEEPING FOOD WARM, PLATE WARMER

#### TECHNIQUE

- Temperature regulation between 40°C – 80°C
- Separate dishwarmer function
- Maximum capacity 25 kg

#### DESIGN

- Stainless steel interior
- Telescopic drawer

Overall (H x W x D): 29.0 x 59.5 x 53.5 cm  
Aperture (H x W x D): 29.0 x 56.2 x 55.0 cm  
Capacity: 25 KG



# Bosch Microwave Oven, Quantum Speed Oven and Warmer Drawer

## Hobs required by the gourmet

### Automatic boil start

On 4 cooking zones, the automatic boil-start function provides automatic switch-over to simmering without loss of energy. Just turn to "A", and right back to the desired heat setting, and the electronic controls will provide quick heat and automatic ramp-down. No manual adjustment required.



### Residual heat indicator

Red lights in a central display field indicate whether the cooking zones are still too hot to be touched. The remaining heat can be used to keep food warm.

### High-speed zones

Heating up significantly faster than conventional radiation heaters, "speed plate" cooking zones produce heat even more rapidly.

### PKC 875 T 01 Ceramic Hob – 80 cm

#### CERAMIC HOB WITH TOUCH CONTROLS

##### COMFORT AND SAFETY

- 4 high-speed cooking zones, including 1 double ring/elongated zone and 2 double ring cooking zones
- Electronic control
- Automatic boil start
- Touch Control – digital operation display
- 2 stage residual heat indicator per zone
- Safety switch-off
- Stop Function
- Timer with shut-off per cooking zone
- Memory function per cooking zone
- Child lock to prevent unsupervised operation of the appliance

##### DESIGN

- Touch control for all plates and extendable zone
- Front Profile

Overall (H x W x D): 5.0 x 80.4 x 52.0 cm  
Aperture (H x W x D): 4.4 x 78.0 x 50.0 cm  
Rating: 7900 W

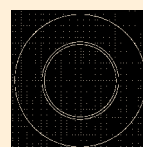


### Touch control with display

On the majority of ceramic hobs – the dual-circuit or roasting zone can be added by the touch of a finger on the touchpad embedded in the ceramic hob.



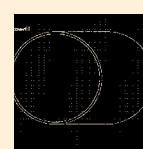
An indicator lamp in the touchpad confirms the activated zone. Being sealed in, the sensor pad is totally impervious to cleaning with water or wiping cloths.



### Extendable cooking zone

Fitting individual cooking zones to the saucepans to be used – that's a flexible and energy-saving approach to cooking, especially when the cooking zone sizes correspond to standard sizes of utensils. Switch-over via sensor touchpad or push-button on the hob.

### Switch-selectable oval roasting zone



Ideal, too, for heating oval pans, such as casseroles or fish roasters. Optional selection via sensor pad, push-button.

### Timer and memory function

Whether you want to warm up baby's milk or cook your favourite pasta dish, the memory function stores the individual cooking programmes you require. This means you can repeat the same cooking procedures, using the same pan, on the same cooking point, as often as you like. Nothing boils over and the plate switches off automatically, thanks to the timer.

### PKN 675 T 01 Ceramic Hob – 60 cm

#### CERAMIC HOB WITH TOUCH CONTROLS

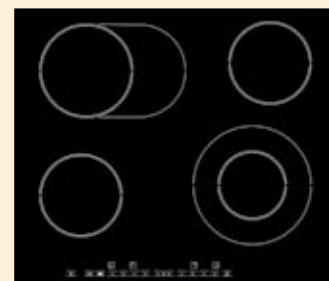
##### COMFORT AND SAFETY

- 4 High-speed zones, including elongated/double ring zone
- Electronic control
- Automatic boil start
- Touch Control – digital display
- 2 stage residual heat indicator per zone
- Safety switch-off
- Stop Function
- Timer with shut off per cooking zone
- Memory function per cooking zone
- Child lock to prevent unsupervised operation of the appliance

##### DESIGN

- Touch control for all plates and extendable zone
- Front Profil

Overall (H x W x D): 5.0 x 59.2 x 52.0 cm  
Aperture (H x W x D): 4.4 x 56.0 x 50.0 cm  
Rating: 7000W



# Bosch Hobs

## PKF 645 E 01 E CERAMIC HOB – 60 cm

### CERAMIC HOB WITH TOUCH CONTROLS

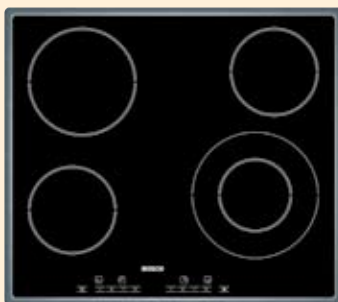
#### COMFORT AND SAFETY

- 4 high-speed zones, of which one is extendable
- Electronic control
- Automatic boil start
- Touch Control – digital display
- 2 stage residual heat indicator per zone
- Safety switch-off
- Stop Function
- Child lock to prevent unsupervised operation of the appliance

#### DESIGN

- All round stainless steel frame
- Touch control for all plates and extendable zone

Overall (H x W x D): 6.5 x 57.5 x 50.5 cm  
Aperture (H x W x D): 4.75 x 56.0 x 49.0 cm  
Rating: 6600 W



## PKE 615 V 01 E Ceramic Hob – 60 cm

### CERAMIC HOB WITH CONTROLS

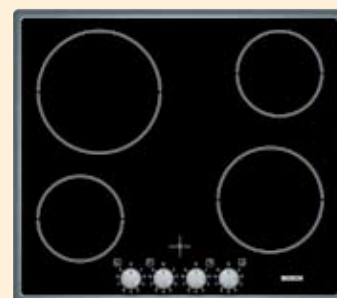
#### COMFORT AND SAFETY

- 4 high-speed zones
- 4 residual heat indicators

#### DESIGN

- All round stainless steel frame

Overall (H x W x D): 6.5 x 57.5 x 50.5 cm  
Aperture (H x W x D): 4.75 x 56.0 x 49.0 cm  
Rating: 6600 W



## PME 675 K 01 E Gas/Electric Hob – 60 cm

### CERAMIC GAS / ELECTRIC HOB COMBINATION

#### COMFORT AND SAFETY

- 1 High Speed burner (2.80 kW)
- 1 Standard burner (1.90 kW)
- 1 Economy burner (1.10 kW)
- 1 electrical cooking zone
- Flame failure device, if the flame cuts out the gas supply stops
- 1 hand electric ignition

#### DESIGN

- Cast iron pan supports
- Integrated Front controls

**Only natural gas or LPG bottled gas (butane & propane) may be used,  
NOT towns gas**

Overall (H x W x D): 4.7 x 59.2 x 52.0 cm  
Aperture (H x W x D): 4.5 x 56.0 x 49.0 cm  
Rating: 7500 W



## NCT 615 C 01 Stainless Steel Hob – 60 cm

### ENAMEL HOB WITH CONTROLS

#### COMFORT AND SAFETY

- 4 speed plates
- On/Off LED indicator

#### DESIGN

- Stainless steel
- Hob with side control

Overall (H x W x D): 5.6 x 58.0 x 51.0 cm  
Aperture (H x W x D): 3.9 x 56.0 x 49.0 cm  
Rating: 7000 W





**PCL 755 FZA**  
**Gas Hob with Wok – 70 cm**

**GAS HOB**

**COMFORT AND SAFETY**

- 1 High speed Wok burner (3.6 kW)
- 1 High speed burner (3.0 kW)
- 2 Standard burners (1.70 kW)
- 1 Economy burner (1.0 kW)
- Flame failure device, if the flame cuts out the gas supply stops
- One hand electric ignition

**DESIGN**

- Stainless steel
- Professional cast iron pan supports
- Integrated front controls
- Bottle jets supplied

**Only natural gas or LPG bottled gas (butane & propane) may be used**

Overall (H x W x D): 5.6 x 70.2 x 51.2 cm  
Aperture (W x D): 56.0 x 49.0 cm



**PCD 655 FEU**  
**4 Burner Deluxe Gas Hob – 60 cm**

**GAS HOB**

**COMFORT AND SAFETY**

- 1 high speed burner (3.0 kW)
- 2 standard burners (1.70 kW)
- 1 economy burner (1.0 kW)
- Flame failure device, if the flame cuts out the gas supply stops
- One hand electric ignition

**DESIGN**

- Stainless Steel
- Professional cast iron pan support
- Integrated front controls
- Bottle jets supplied

**Only natural gas or LPG bottled gas (butane & propane) may be used**

Overall (H x W x D): 5.6 x 58.2 x 51.2 cm  
Aperture: ( W x D): 56.0 x 49.0 cm



**PCD 655 CZA**  
**4 Burner Deluxe Gas Hob – 60 cm**

**GAS HOB**

**COMFORT AND SAFETY**

- 1 high speed burner (3.0 kW)
- 2 standard burners (1.70 kW)
- 1 economy burner (1.0 kW)

**DESIGN**

- Stainless steel
- 2 piece enameled steel pan support
- Integrated front controls
- Bottle jets supplied

**Only natural gas or LPG bottled gas (butane & propane) may be used**

Overall (H x W x D): 5.4 x 58.2 x 51.2 cm  
Aperture (W x D): 56.0 x 49.0 cm



## PGE 375 K 80 2 Burner Gas Hob

### 2 BURNER GAS HOB

#### COMFORT AND SAFETY

- 1 high speed burner (3.0kW)
- 1 normal burner (1.7kW)
- 1 hand electronic ignition
- Flame failure device, if the flame cuts out the gas supply stops
- Cast iron pan support with brass feet

#### DESIGN

- 2 Front Controls
- Stainless steel

#### INSTALLATION ACCESSORY

- HEZ394300 connection strip

Only natural gas or LPG bottled gas (butane & propane) may be used.

Overall (H x W x D):  
45.2 x 28.8 x 52.0cm  
Aperture (H x W x D):  
4.5 x 28.8 x 52.0cm  
Rating: 600W



Available 2nd quarter 2008

## PGF 375 K 80 Wok Gas Hob

### WOK BURNER

#### COMFORT AND SAFETY

- 1 triple circuit burner (3.6 kW)
- 1 hand electronic ignition
- Flame failure device, if the flame cuts out the gas supply stops
- Cast Iron pan support with brass feet
- Control lamp indicating operation

#### DESIGN

- Front control
- Ceramic and Stainless Steel frame

#### INSTALLATION ACCESSORY

- HEZ394300 connection strip

Only natural gas or LPG bottled gas (butane & propane) may be used.

Overall (H x W x D):  
5.67 x 28.8 x 52.0cm  
Aperture (H x W x D):  
4.5 x 27.0 x 49.0 – 50.0 cm  
Rating: 600W



Available 2nd quarter 2008

## PKT 375 C 03 Ceramic Griller – S/Steel

### CERAMIC GRILLER

#### COMFORT AND SAFETY

- 1 large glass-ceramic grill area
- HighSpeed ceramic glass
- Residual heat indicator
- Indicator for power “ON”

#### DESIGN

- 1 button for temperature control

#### INSTALLATION ACCESSORY

- HEZ394300 connection strip

Overall (H x W x D):  
6.2 x 28.9 x 52.0 cm  
Aperture (H x W x D):  
4.5 x 27.0 x 49.0 – 50.0 cm  
Rating: 2500W



Available 2nd quarter 2008

## PKF 375 C 03 Ceramic Hob

### CERAMIC HOB

#### COMFORT AND SAFETY

- 2 high speed cooking zones, including 1 dual zone
- HighSpeed ceramic glass
- 2 stage residual heat indicator
- 2 indicators for “ON”

#### DESIGN

- Front controls

#### INSTALLATION ACCESSORY

- HEZ394300 connection strip

Overall (H x W x D):  
6.2 x 28.9 x 52.0 cm  
Aperture (H x W x D):  
4.5 x 27.0 x 49.0 – 50.0cm  
Rating: 2900W



Available 2nd quarter 2008

## PKU 375 C 03 Griller

### GRILLER

#### COMFORT AND SAFETY

- 1 large grill area on cast pan support
- 2 independent heating elements
- Stainless steel grill to be used with water or lava rocks
- Oil drainage outlet
- Indicator for power “ON”

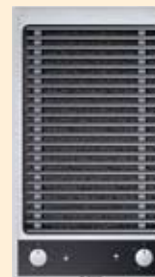
#### DESIGN

- 2 button for temperature control
- Ceramic glass cover (included)

#### INSTALLATION ACCESSORY

- HEZ394300 connection strip

Overall (H x W x D):  
6.2 x 28.9 x 52.0 cm  
Aperture (H x W x D):  
10.0 x 27.0 x 49.0 – 50.0 cm  
Rating: 2800W



Available 2nd quarter 2008

## PKA 375 C 03 Deep Fat Fryer – S/Steel

### DEEP FAT FRYER

#### COMFORT AND SAFETY

- Big stainless steel fryer container (approx. 3 – 4 Litre)
- Cold oil zone
- Grease melting position
- Temperature control from 100°C - 190°C
- Oil drainage plug
- Indicator for power “ON”

#### DESIGN

- 1 button for temperature control
- 1 ceramic cover included

#### INSTALLATION ACCESSORY

- HEZ394300 connection strip

Overall (H x W x D):  
6.2 x 28.9 x 52.0 cm  
Aperture (H x W x D):  
23.0 x 27.0 x 49.0 – 50.0 cm  
Rating: 2500W



Available 2nd quarter 2008

## PCH 345 D Wok Gas Hob

### WOK BURNER

#### COMFORT AND SAFETY

- 1 burner for pan or wok use (3.6 kW)
- 1 hand electric ignition
- Flame failure device, if the flame cuts out the gas supply stops
- Enamel pan support
- Control lamp indicating operation

#### DESIGN

- Front control
- Stainless steel

#### INSTALLATION ACCESSORY

- NEZ 34 VLA connection strip

Only natural gas or LPG bottled gas (butane & propane) may be used.

Overall (H x W x D):  
5.18 x 28.8 x 50.5 cm  
Aperture (W x D):  
26.8 x 49.0 cm



## PCD 345 D 2 Burner Gas Hob – S/Steel

### 2 BURNER GAS HOB

#### COMFORT AND SAFETY

- 1 high speed burner (3.0 kW)
- 1 normal burner (1.0 kW)
- 1 hand electric ignition
- Flame failure device, if the flame cuts out the gas supply stops
- Enamel pan support

#### DESIGN

- Front controls
- Stainless steel

#### INSTALLATION ACCESSORY

- NEZ 34 VLA connection strip

Only natural gas or LPG bottled gas (butane & propane) may be used.

Overall (H x W x D):  
5.18 x 28.8 x 50.5 cm  
Aperture (W x D):  
26.8 x 49.0 cm  
Rating: 2500 W



## PCX 345 E Stainless Steel Hob

### TWO PLATE HOB

#### COMFORT AND SAFETY

- 2 quick heat plates
- 1 indicator for power “ON”

#### DESIGN

- Front controls
- Stainless steel

#### INSTALLATION ACCESSORY

- NEZ 34 VLA connection strip

Overall (H x W x D):  
3.76 x 28.8 x 50.5 cm  
Aperture (W x D):  
26.8 x 49.0 cm  
Rating: 3500 W



## PKC 345 E Ceramic Hob

### CERAMIC HOB

#### COMFORT AND SAFETY

- 2 high speed cooking zones
- 2 indicators for residual heat
- 2 indicators for “ON”

#### DESIGN

- Front controls
- Stainless steel

#### INSTALLATION ACCESSORY

- NEZ 34 VLA connection strip

Overall (H x W x D):  
3.76 x 28.8 x 50.5 cm  
Aperture (W x D):  
26.8 x 49.0 cm  
Rating: 2900 W



## PKT 345 E Ceramic Griller – S/Steel

### CERAMIC GRILLER

#### COMFORT AND SAFETY

- 1 large glass-ceramic grill area
- Residual heat indicator
- Indicator for power “ON”

#### DESIGN

- Front control
- Stainless steel

#### INSTALLATION ACCESSORY

- NEZ 34 VLA connection strip

Overall (H x W x D):  
3.76 x 28.8 x 50.5 cm  
Aperture (W x D):  
26.8 x 49.0 cm  
Rating: 2500 W







### **Chimney cooker hoods – designed for your kitchen**

An absolute “must” in all kitchens, because the cooker hood not only extracts bothersome cooking odours as they occur, but also captures the greasy fumes that would otherwise settle on every surface.

### **Ducted or recirculated air – whatever is right for your kitchen**

With the cooker hoods of the air extraction type, the kitchen air extracted by the fan is ducted to a vent through an outside wall (telescopic wall outlet) or into an air shaft.

In contrast to the exhaust-air principle, which exchanges the air in the kitchen, the recirculating system scrubs the cooking fumes by passing them through grease filters and activated charcoal filters. The clean air is then returned to the kitchen.

### **Flexible design – a wide range for all requirements**

Our range of cooker hoods provides the right solution for every kitchen situation.

The contemporary styling of our superb line of chimney hoods, for example, adds that professional touch to any kitchen.

**Island extractors** form the centre piece of a kitchen. Situated above independently placed worktops.

**Chimney extractors** are especially designed to be fitted against walls.

**Canopy-style cooker hoods** are fitted into specially prepared cupboards.

### **Extraction power**

Maximum extraction is measured with a round pipe 15 Ø cm, 1m high x 3m long pipe at a 90° angle. Recirculation generally reduces extraction by 25% due to the more resistant filter system.

### **Soft light**

The dimmer function on our SoftLight appliance means that you can regulate the brightness of your work station – soft light to illuminate your kitchen or direct light onto your hob.

**Bosch** Extractors

## **DIE 975 A** **Island Extractor with Glass – 90 cm**

### **EXHAUST OR RECIRCULATION OPERATION**

#### **COMFORT AND SAFETY**

- Metal grease filter, dishwasher proof
- Electronic control via soft touch buttons with digital display
- 3 power levels and 1 intensive level
- Automatic switch back from intensive to normal setting
- Run-on facility for 10 minutes after switch off
- Saturation level indicator for metal grease filter

#### **DESIGN**

- For mounting above cook tops
- Worktop lighting with halogen lights – 4 x 20 Watt

Height Exhaust (H x W x D): 77.0 – 99.00 x 90.0 x 60.0 cm  
Height Recirculation (H x W x D): 77.0 – 99.00 x 90.0 x 60.0 cm  
Rating: 380 W  
Max. extraction: 780 m<sup>3</sup>/h



## **DKE 995 E** **Canopy Extractor with Glass – 90 cm**

### **EXHAUST OR RECIRCULATING OPERATION**

#### **COMFORT AND SAFETY**

- Metal grease filter, dishwasher proof
- Soft light and dimming function
- Electronic control via soft touch push buttons with 7 segment display
- Variable power and intensive level
- Automatic switch back from intensive to normal setting
- Run-on facility for 10 minutes after switch off
- Saturation level indicator for metal and carbon filter

#### **DESIGN**

- For wall mounting above cook tops
- Worktop lighting with halogen lights – 2 x 20 Watt

Height exhaust (W x D): 70.5 – 110.0 x 90.0 x 48.0 cm  
Height recirculation (W x D): 74.0 – 117.0 x 90.0 x 48.0 cm  
Rating: 220 W  
Max. extraction: 590 m<sup>3</sup>/h



## **DKE 965 P** **Canopy Extractor with Glass – 90 cm**

### **EXHAUST OR RECIRCULATING OPERATION**

#### **COMFORT AND SAFETY**

- Metal grease filter, dishwasher proof
- Electronic control via soft touch push buttons with digital display
- 3 power levels and intensive level
- Saturation level indicator for metal filter

#### **DESIGN**

- For wall mounting above cook tops
- Worktop lighting with halogen lights – 2 x 20 Watt

Height Exhaust (H x W x D): 71.5 – 110.0 x 90.0 x 52.0 cm  
Height Recirculation (H x W x D): 80.8 – 119.0 x 90.0 x 52.0 cm  
Rating: 240 W  
Max. extraction: 550 m<sup>3</sup>/h



## **DKE 945 K** **Canopy Extractor – 90cm**

### **EXHAUST OR RECIRCULATING OPERATION**

#### **COMFORT AND SAFETY**

- Metal grease filter, dishwasher proof
- Dual high power fan
- 3 power levels

#### **DESIGN**

- For wall mounting above cooktops
- Worktop lighting - 2 x 40W

Height Exhaust: (H x W x D): 68.4 – 108.3 x 90.0 x 50.0 cm  
Height Recirculation (H x W x D): 77.5 – 117.9 x 90.0 x 50.0 cm  
Rating: 330W  
Maximum extraction: 740m<sup>3</sup>/h



## DKE 935 A – 90 cm / DKE 635 A – 60 cm Canopy Extractor

### EXHAUST OR RECIRCULATING OPERATION

#### COMFORT AND SAFETY

- Dual high-power fan
- 3 power levels
- Metal grease filter, dishwasher proof

#### DESIGN

- For wall mounting above cook tops
- Worktop lighting – 3 x 40 Watt

Height exhaust (H x W x D): 79.3 – 108.0 x 90.0 x 50.0 cm

Height recirculation (H x W x D): 81.3 – 108.0 x 90.0 x 50.0 cm

Rating: 290 W

Max. extraction: 400 m<sup>3</sup>/h



## DHL 535 C Extractor – 60 cm

### EXHAUST OR RECIRCULATING OPERATION

#### COMFORT AND SAFETY

- Metal grease filter, dishwasher proof
- 3 power levels

#### DESIGN

- Worktop lighting – 2 x 40 Watt

Unit dimensions (H x W x D): 20.2 x 53.0 x 28.0 cm

Rating: 270 W

Max. extraction: 280 m<sup>3</sup>/h



## DHI 945 F Visor Extractor – 90 cm

### EXHAUST OR RECIRCULATING OPERATION

#### COMFORT AND SAFETY

- Metal grease filter, dishwasher proof
- 3 power levels, plus intensive setting
- Saturation level indicator for metal and carbon filter

#### DESIGN

- Built under cupboard 90 cm
- Worktop lighting with halogen lights – 2 x 20 Watt

Unit dimensions: (H x W x D) 47.5 x 89.4 x 27.3 cm

Rating: 400 W

Maximum extraction: 500m<sup>3</sup>/h



## DHI 635 H Visor Extractor – 60 cm

### EXHAUST OR RECIRCULATING OPERATION

#### COMFORT AND SAFETY

- Metal grease filter, dishwasher proof
- 3 power levels

#### DESIGN

- Built under cupboard 60 cm
- Worktop lighting – 2 x 60 Watt

Unit dimensions (H x W x D): 25.0 x 59.8 x 28.0-44.3 cm

Rating: 220 W

Max. extraction: 400 m<sup>3</sup>/h







## **Special Programmes:**

### **Quick & Mix**

This programme is perfect if you do not have a full load of laundry, even if you have a variety of different fabrics.

### **Wool Care Hand Wash**

Wool or delicate articles are treated with the care they deserve. The exceptionally gentle woollens handwash programme runs at only 27 revolutions per minute, with a soft wash action and just the right amount of intervals.

### **Intensive**

If this function is added to the washing programme, the washing time is increased in order to remove tough deep-seated stains.

### **Reduced Ironing**

At the touch of a button you are able to reduce the amount of creases in your washing as the machine spins the laundry at intervals, changing its position several times and at the end of the spin phase producing a gentle rotation action which keeps your laundry free and fluffy saving you time and effort with your ironing.

### **Fully Electronic Control**

Every procedure is monitored and adapted accordingly. From calculating the amount of water required for each wash load and type, to controlling the washing action and spinning for maximum results.

### **Aqua-Stop**

The Aqua-stop safety system prevents any kind of water damage. No matter whether it occurs at the feed or drain hose or through a leak in the appliance itself.

**Bosch** Washer Dryer

## WVTI 2842 EU Integrated Electronic Washer Dryer



### ELECTRONIC WASHER DRYER – 1400rpm

#### PROGRAMMES

- Maximum washing load 5kg – Drying load 2.5kg
- User-friendly operation with wide range of programs in text and symbols
- LCD Display for programme status: Spin Speed and Drying
- Time remaining display and time delay (1-19hrs)
- Childproof lock
- 30cm porthole and 180° door opening angle
- Non-stop washing and drying program for 2.5 kg

#### WASHING MACHINE – 1400 rpm

- Spin speed: 600 – 1400rpm
- Push Buttons: Start, Pre-wash, Drying, Rinse Plus, Intensive, Spin Speed
- Special Programmes: Drain, Spin, Rinse, Delicates, Wool, 30°C Quick & Mix
- Fully Electronic controlled, very quiet
- Automatic load and foam detection feature
- Aqua Spar system for faster water penetration and more efficient rinsing
- Aqua Stop

#### DRYER

- Humidity and Time-controlled programmes
- 2 programmes: Delicate drying and Normal drying

Capacity: 5kg / 2.5kg drying

Coloured 60°C / 49l / 0.95kWh / 135min

Rating: 2200W

Unit dimensions: (H x W x D) 82.0 x 60.0 x 58.0 cm



If you want a washer and a dryer but you're short of space, this is the perfect solution.

With the non-stop programme, our washer dryer can launder a half load of easy-care fabrics in just 90 minutes.

With Bosch you do not have to think about the technology. We have taken care of it so you can be confident that each and every time you use your Bosch washer dryer you will get outstanding performance.

At Bosch our aim is to take the chore out of laundry. We will give you the best results and save you time, so you can get on with the more important things in life.



## Dishwashing – economic, easy and perfect with modern technology.

### GlassProtac, the Bosch glass-care system offers many benefits...

Glass and Porcelain are washed with the greatest possible care. Innovative solutions like the Heat Exchanger, Aqua Sensors and AquaMix guarantees optimal protection for your most valued glassware.

### Auto 3 in 1

The auto 3 in 1 built in sensor technology automatically detects whether the machine is using 3 in 1 tablets or conventional cleaning detergent. The dishwasher automatically adjusts the programme to ensure the best washing results while optimising energy consumption and water use.

### Auto programme

Auto programmes manage to select the optimum temperature setting while maximising water and electricity savings, this is all done without compromising the cleaning results.

### Aqua-stop

The Aqua-stop safety system prevents any kind of water damage. No matter whether it occurs at the feed or drain hose or through a leak in the appliance itself.

### Noise levels

Numerous steps are put into place in order to reduce the noise level of Bosch dishwashers, an example of this whisper silence at 47 DB's

### VarioFlex

The VarioFlex basket system delivers exceptional versatility. The cup/glass rack offers space saving positioning for cups and safe support for glassware while cutting down the risk of breakage by avoiding contact between glasses. The foldable plate racks can be folded down to accommodate large pots and pans. There's also a special long-stemmed glass support that makes it possible to wash wine glasses up to 28cm long.

## SGV 59 T 03 GB Fully Integrated Dishwasher



### FULLY INTEGRATED DISHWASHER 6 TEMPERATURES

#### 5 PROGRAMMES - 3 X NORMAL PLUS 2 X AUTO

- Intensive 70°C, auto 55°C-65°C, eco 50°C, auto delicate 35°-45°C, quick wash 45°C, pre-rinse
- Special functions: VarioSpeed / Half Load

#### COMFORT AND SAFETY

- GlassProtac – Glass and porcelain are washed with the greatest possible care
- Aqua Sensor – a light barrier recognises the dirt in the water and continues with less soiled water
- Heat exchanger – for hygienic drying, prevents thermal shock
- Aqua Mix: to regulate water hardness
- Auto 3 in 1 detergent detection for the best rinsing and wash result
- 5 spray levels with curved spray arms
- Electronic delay timer (1-19 hrs)
- Electronic time remaining display, low salt and rinse aid indicator
- Electronic salt regeneration
- Height adjustable top basket with RackMatic
- VarioFlex baskets for safe loading and optimal space usage
- Fold down racks in top basket (6x) and bottom basket (4x)
- Baking tray spray head
- AquaStop with guarantee against flooding

Silence: 47 dB

Consumption rates: Eco 50°C / 14 litres / 1.05 kWh

Unit dimensions (H x W x D): 81.0 x 59.8 x 55.0 cm

Aperture (H x W x D): 81.0-87.0 x 60.0 x 55.0

Rating: 2300 W



# Bosch Dishwasher



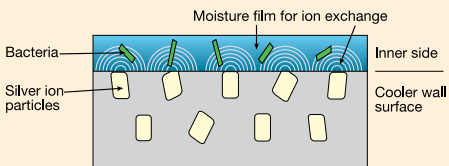


### The anti-bacteria fridge lining system from Bosch

The safety shield for your food. Anti-Bacteria is a natural silver-based

substance with which the inner walls and door interiors of Bosch fridges is coated. On these surfaces it acts as a permanent barrier to fungi and thus provides a further contribution to your health. Anti-bacteria together with no-frost and multi-air flow means that food stays fresher longer. The Anti-bacteria lining reduces unpleasant odours and avoids discolouration of the inside of your fridge.

### The new refrigeration appliances



### offer still more user benefits

On the road to success with new refrigeration appliances: they offer the latest in comfort in conjunction with perfect interior styling.

### Significant reduction in energy consumption

Due to their optimised insulation, our new appliances consume particularly small quantities of electricity. For example, we were able to reduce the consumption of our new appliances by approx. 50% when compared to appliances with standard South Africa insulation. Benefiting your wallet and our environment. Watch out for A ratings.

### Automatic defrosting

The refrigerator zone defrosts itself. The small amount of defrosting condensate runs into a tray at the rear of the appliance where it evaporates outside the fridge. And because the minimum temperature is maintained in the freezer compartment, you no longer have to fear spoilage of your foods in the freezer storage compartment or freezer section.

### Freezer compartment \* \* \* \*

You can use the \* \* \* \*-freezer compartment to freeze even larger quantities of fresh foods at guaranteed temperatures of -18°C and lower.

### Fresh & Cool-drawer



Here storage conditions are above 0°C with humidity of around 90% – ideal conditions for vegetables, herbs and fruits. A special filter to save the humidity of your groceries covers the tray. This prevents the increase of micro organisms and thus vitamins and mineral nutrients are kept preserved.

### Humidity control

The consistent storage temperature ensures that your fruit and vegetables retain their nutrients, flavour and healthy appearance much longer. To maintain the ideal climate for the freshness of your foods, variable controls for temperature and moisture are provided. The new moisture control takes care of it all.

### Safety glass shelves



Our superb safety glass shelves have an anti-spillage trim and non-slip surface. They are also scratch-resistant and extremely easy to clean.

### Height adjustable shelves



All our fridges are equipped with height-adjustable shelves, giving you the freedom and versatility to maximise the interior space. As an additional convenience, some models also feature a split shelf which can be adjusted to accommodate tall items.

### Door open alarm

If you inadvertently leave your freezer door ajar and alarm will sound so as to protect your food from spoilage.



## KIS 38 A 40 IE Integrated Fridge Freezer Combination



### INTEGRATED FRIDGE FREEZER COMBINATION

#### PRODUCT FEATURES

- **\*\*\*\***-Freezer
- 100% CFC/HFC free
- Anti Bacteria – permanent barrier against fungi for fresher food
- Automatic defrosting in refrigerator section, foamed in evaporator plate
- Electronic temperature regulation
- SUPER freeze function with automatic switch off
- Acoustic and visual alarm warning system with memory function
- Freezing capacity: 12kg in 24hours
- Storage time in event of failure: 22 hours
- Door right hinged, reversible

#### INTERIOR FEATURES REFRIGERATOR SECTION

- 25W interior light
- 5 safety glass shelves, 4 height adjustable, 1 divisible
- Vegetable Drawer with humidity control

#### INTERIOR FEATURES FREEZER SECTION

- 3 transparent freezer drawers with freezing calendar

Capacity top fridge: 221 litres net

Capacity bottom freezer: 63 litres net

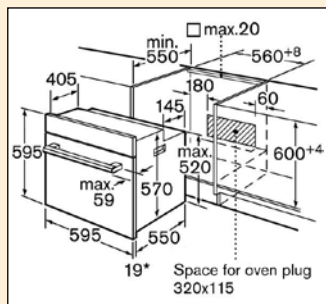
Energy consumption 318kWh pa

Unit dimensions (H x W x D): 177.2 x 54.1 x 54.5

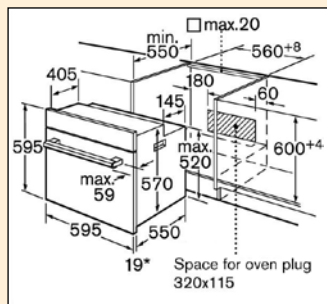


# Cut-out dimensions

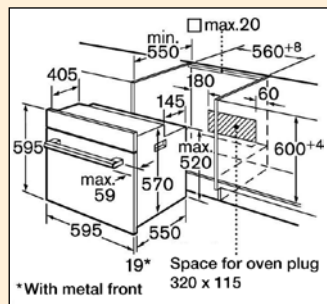
## Built-in ovens, microwave ovens, steamer, warmer drawer



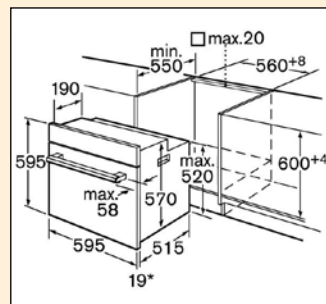
HBN 560550 B



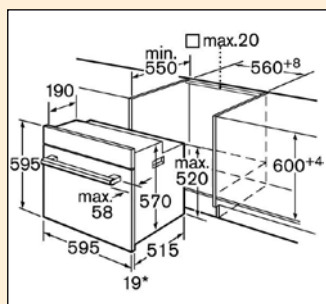
HBN 334550



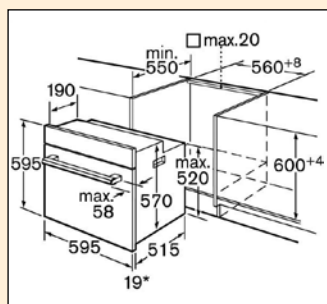
HBN 23 T 55 J



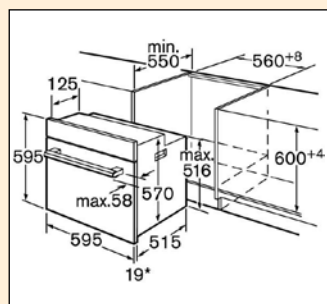
HBN 230250 E



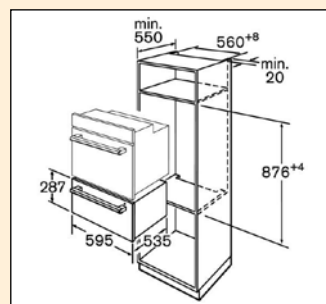
HBN 210250 E



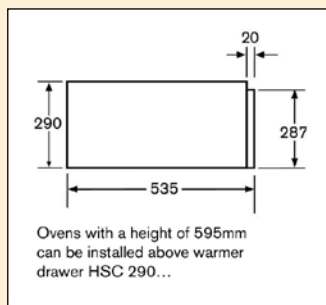
HBN 110250



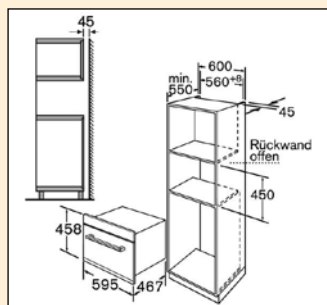
HEN 100250 E



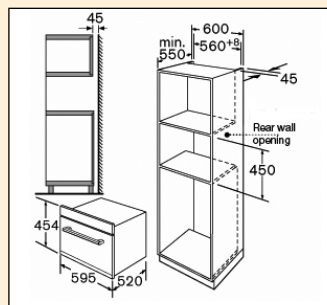
HSC 290650



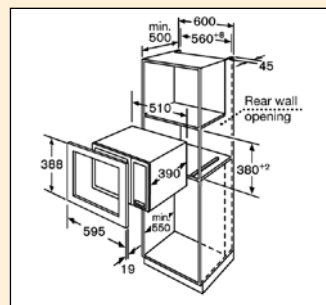
HSC 290650



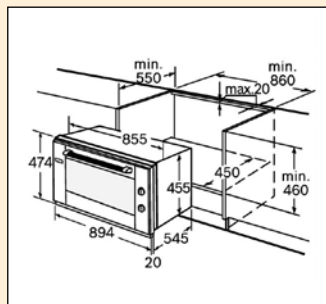
HBC 86 Q 650



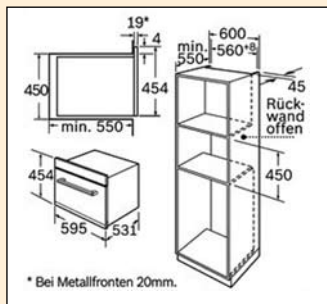
HBC 86 K 750



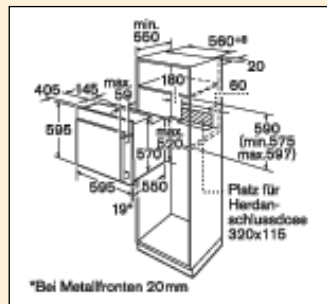
HMT 9856



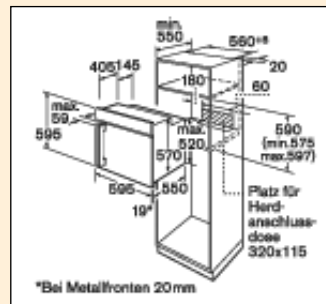
HBL 3552



HBC 26 D 550 B

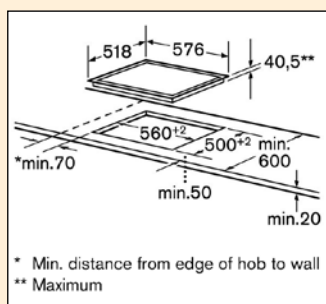


HBN 36 L 651

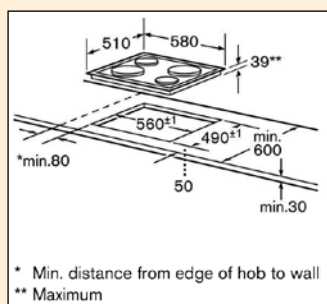


HBN 36 R 651

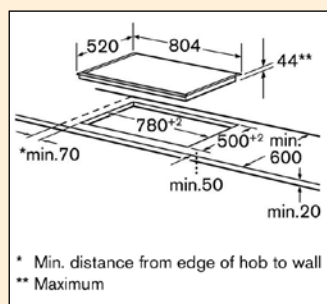
## Hobs



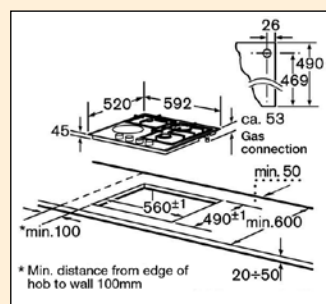
NKE 625 A 01



NCM 615 A 01



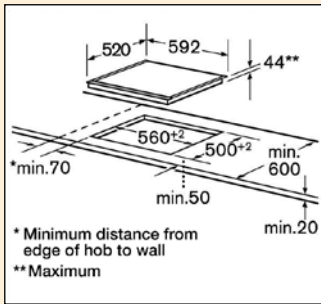
PKC 875 T 01



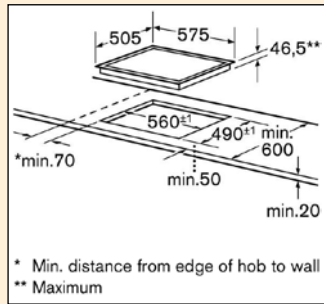
PME 675 K 01 E



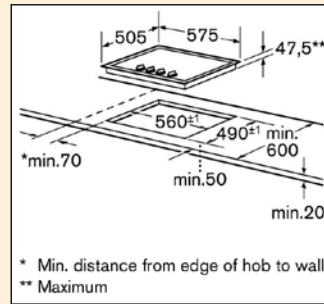
## Hobs continued



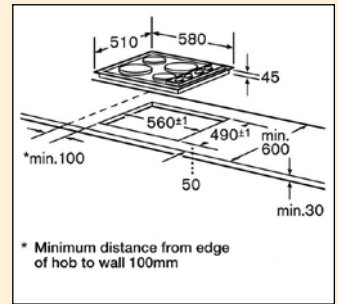
PKN 675 T 01



PKF 645 E 01 E

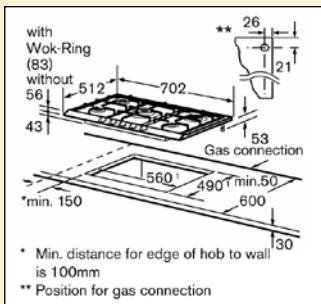


PKE 615 V 01 E

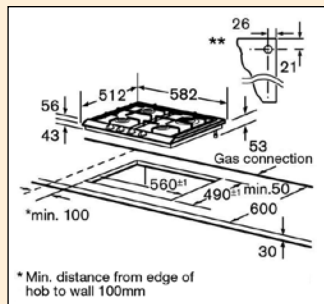


NCT 615 C 01

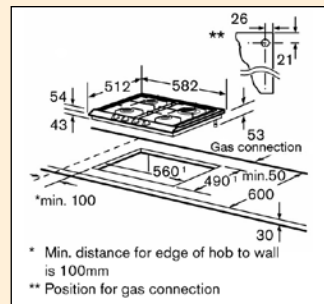
## Gas hobs



PCL 785 FZA

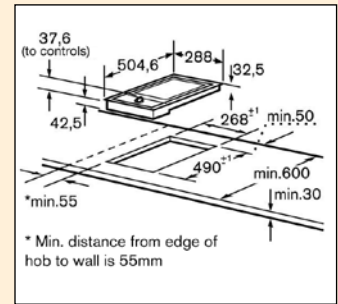


PCD 685 FEU



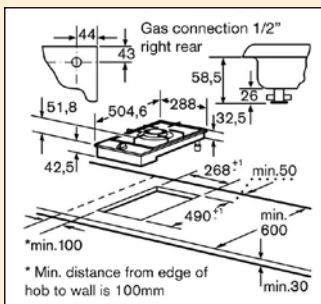
PCD 685 CZA

## Vario Hobs

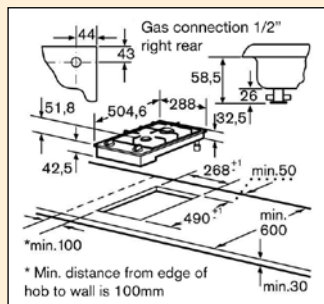


PKT 345 E

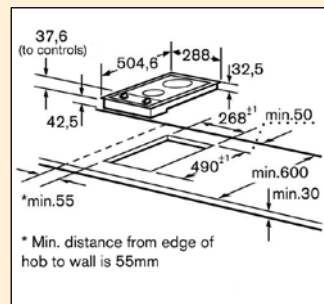
## Vario hobs



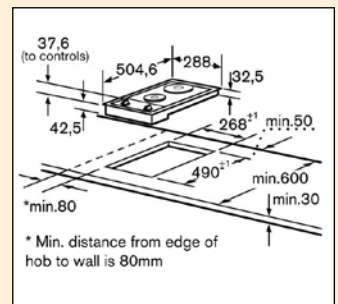
PCH 345 D



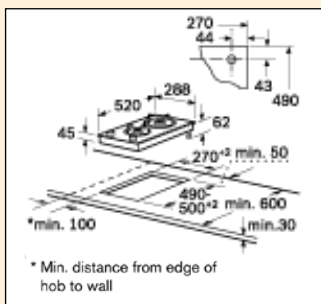
PCD 345 D



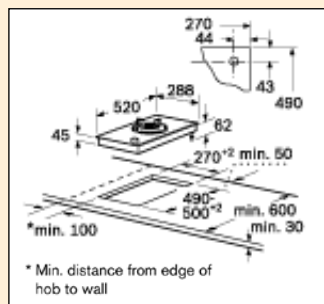
PKC 345 E



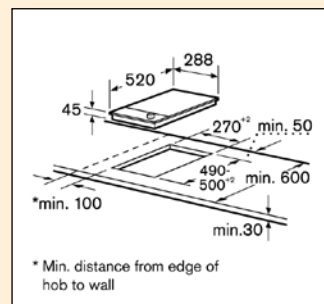
PCX 345 E



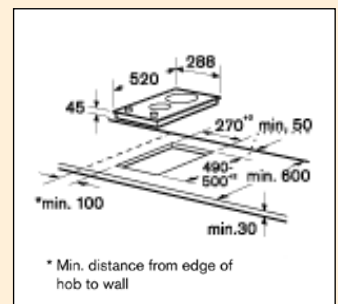
PGE 375 K80



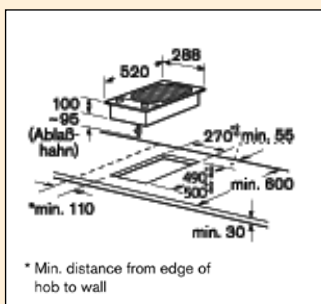
PGF 375 K 80



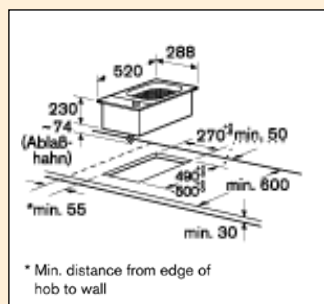
PKT 375 C 03



PKF 375 C 03



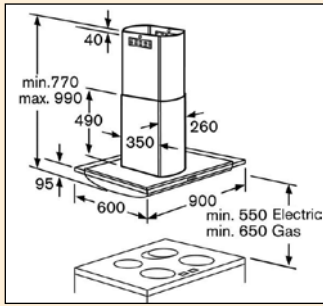
PKU 375 C 03



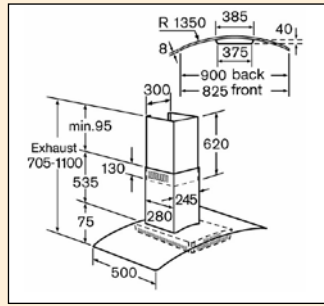
PKA 375 C 03



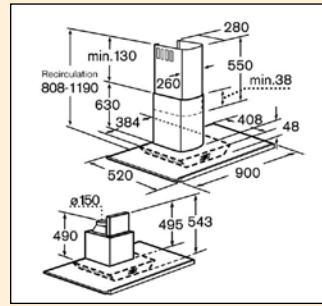
## Extractors



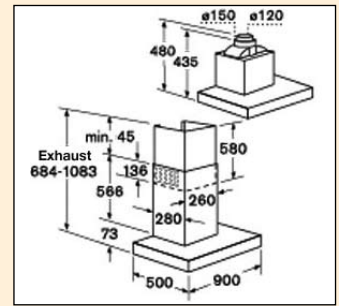
DIE 975 A



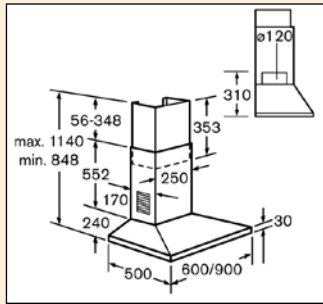
DKE 995 E



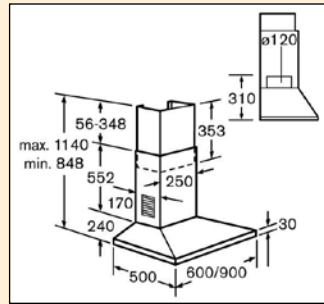
DKE 965 M



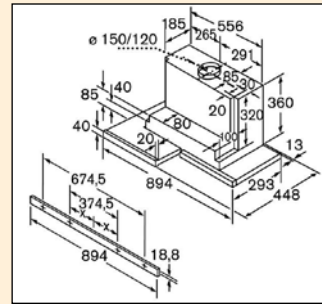
DKE 945 K



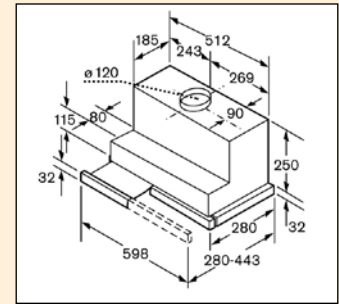
DKE 935 A



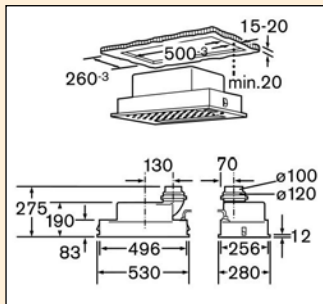
DKE 635 A



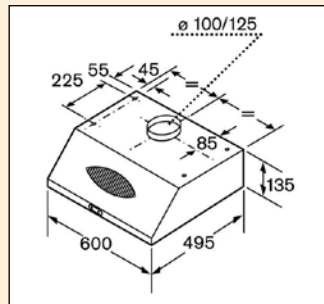
DHI 945 F



DHI 635 H

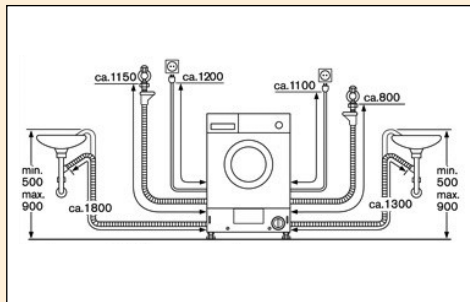


DHL 535 C

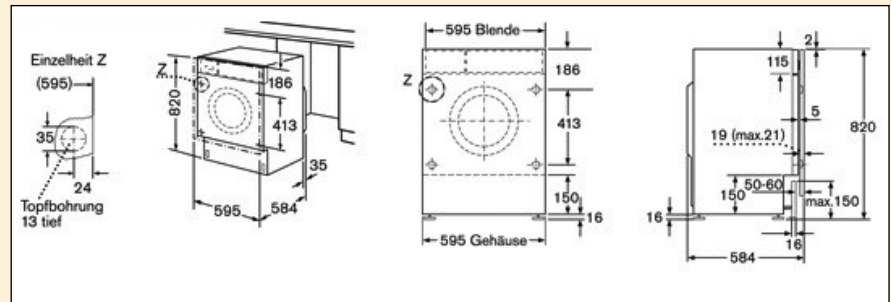


DHU 635 GZA

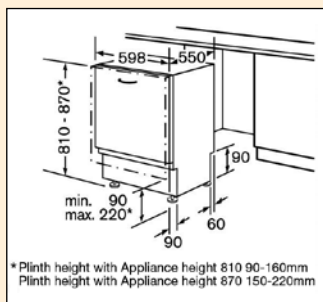
## Laundry



WVTI 2842 EU

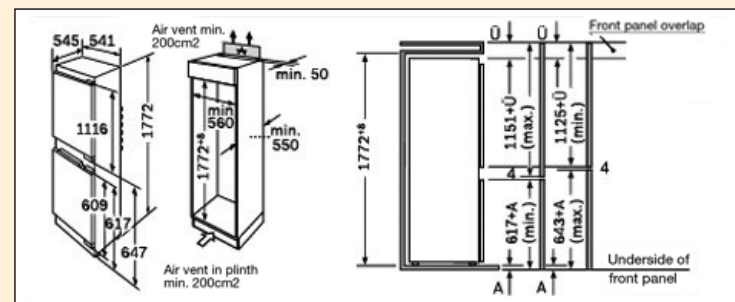


## Dishwasher

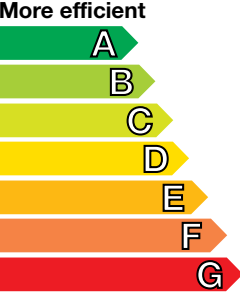



SGV 57 T 03 GB

## Cooling



KIS 38 A 40 IE

<b>Energy</b>	
Manufacturer	<b>BOSCH</b>
Model	<b>KGU 36193</b>
<b>More efficient</b>  <b>Less efficient</b>	<b>A</b>
Energy Consumption kWh/year (based on standard test results for 24h)	<b>230</b>
Actual energy consumption will depend on how the appliance is used, and where it is located.	
Fresh Food Volume L Frozen Food Volume L	145 litres or 5.1ft <sup>3</sup>
<b>Noise</b> (dB (A) re 1 pW)	
Further information is continued in product brochures	

### Energy efficiency ratings

At Bosch our aim is to not only provide you with reliable, high quality products that make your life easier, but to also protect and promote a sustainable environment for future generations. This means that every time we design a new product our ideas are based on ecological principles, to ensure that we make the most economic use of natural resources, and avoid pollution of the air, soil and water.

Energy efficiency ratings Energy efficiency labels are informative labels affiliated to manufactured products. These labels are able to indicate a products energy performance in order to provide consumers with the necessary data for making informed purchase decisions.

The more efficient a product is the less energy it requires and the more you get for your money. Not only is this saving of electricity good for your wallet, but it is good for the

environment too; between 1995 and 2000 there has been a saving of three-quarter million-tons of CO<sup>2</sup> alone in Europe, by improving the technique of large household appliances. The energy label ranks the appliance's efficiency from "A" to "G".

These are categorised as follows:

Class A – C good

Class D average

Class E – G poor

Bosch is proud to announce that not one of its integrated appliances have a rating lower than "C" with over 80% of the appliances having a rating of B or higher.

### Fridges and freezers energy labelling

Fridges and freezers are the most hardworking appliances in your kitchen as they are on the go 24 hours a day, seven days a week.

The energy label is able to provide information about their performance and physical characteristics. These include the annual consumption of energy (in kWh p/a) as well as the storage volume of the compartments (in Litres). All Bosch cooling appliances, even the entry level models have very efficient energy ratings. It is important to note that the energy label supplies you with the net volume as opposed to the gross volume of the unit. This is the usable volume of the fridge as opposed to the overall volume, and can therefore be relatively important when making a decision as to which unit is best for you. Bosch cooling products have been converted to CFC and HFC free materials in 1993 already. This means that the harmful substances previously used in the insulation materials have been replaced with environmentally friendly natural gases which do not damage the ozone layer or increase the harmful greenhouse effect.

### Dishwashers energy labelling

The energy label for dishwashers has gradually been introduced to the whole of Europe since 1999. The aim of this is to reduce energy consumption, while at the same time not having any adverse effect on the cleaning and drying performance of the appliance.

Dishwashers, in general, use the Eco50°C programme as its standard programme upon which energy consumption is rated. The energy label for dishwashers comprises 3 classifications namely:

- Energy efficiency
- Cleaning performance
- Drying performance

The values are determined according to the re-formulated norm EN50242.

### Washing machines energy labelling

The aim of the energy efficiency label is to offer consumers a standardised method of choosing the most energy efficient appliance, while at the same time offering you the best possible washing results.

Washing machines use the Cotton 60°C program as its standard program upon which energy efficiency, washing performance and spin-drying performance levels are rated.

The energy label for washing machines comprises 3 classifications (ranging from "A" to "G" rating) namely:

- Energy efficiency
- Washing performance
- Spin-drying performance

The values are determined according to the reformulated norm EN60456.

### Tumble dryers energy labelling

There is a difference between condensation and vented dryers, with condensation dryers having a lower energy efficiency than vented dryers.

Green in your environment.  
**Bosch** in your kitchen.



The world around us has become a myriad of change and confusion. We are constantly being cluttered with contradictions and complications that we somehow have to sort through on a daily basis. Certain traits have however managed to stand out above the rest and rise out from the clutter.

Quality and style happen to be two of these most sought after traits in today's society. Traits that are truly worth searching for, worth waiting for, and unfortunately far too rare in a world that all too often manages to confuse what is really important to us in our daily lives.

It is this often-illusory search for true quality and style that leads us to something special. The Bosch 3 Year Guarantee is truly something special. The name Bosch epitomises true quality and guarantees that you can move into the future with style and confidence.



The **Bosch** 3 year guarantee



**Midrand**

Bosch Domestic Appliances  
Private Bag X36  
Randjespark  
Halfway House 1685  
Rep. of South Africa

## Visitors:

Fifteenth Road  
Randjespark  
Midrand

Tel: (011) 265-7800

Fax: (011) 265-7817

[www.bsh.co.za](http://www.bsh.co.za)[www.boschappliances.co.za](http://www.boschappliances.co.za)**Cape Town**

Bosch Domestic Appliances  
Post Net Suite #248  
Private Bag X19,  
Milnerton 7435  
Rep. of South Africa

## Visitors:

Shop No. 1, Marconi Centre  
460 Koeberg Road,  
Milnerton 7441

Tel: (021) 550-9900

Fax: (021) 552-9205/6

**BSH Service Centre**

Tel: 0860 026 724

Fax: 0861 171 780

E-mail: [applianceserviceza@bshg.com](mailto:applianceserviceza@bshg.com)E-mail: [callcentre@anvilconsult.co.za](mailto:callcentre@anvilconsult.co.za)**Spare Parts**

Tel: (011) 265-7853

Fax: (011) 265-7850



**BOSCH**  
Invented for life



## Free Manuals Download Website

<http://myh66.com>

<http://usermanuals.us>

<http://www.somanuals.com>

<http://www.4manuals.cc>

<http://www.manual-lib.com>

<http://www.404manual.com>

<http://www.luxmanual.com>

<http://aubethermostatmanual.com>

Golf course search by state

<http://golfingnear.com>

Email search by domain

<http://emailbydomain.com>

Auto manuals search

<http://auto.somanuals.com>

TV manuals search

<http://tv.somanuals.com>