



# DINION capture 5000 IP

NER Series



**BOSCH**

en Installation Manual



# Table of Contents

<b>1</b>	<b>Safety</b>	<b>7</b>
1.1	Safety precautions	7
1.2	Important safety instructions	8
1.3	Important notices	11
1.4	FCC & ICES compliance	15
1.5	Bosch notices	17
<b>2</b>	<b>Description</b>	<b>18</b>
2.1	Parts List	18
<b>3</b>	<b>Installing the DINION capture</b>	<b>19</b>
3.1	Determining the Range	19
3.2	Determining the Angle	20
3.3	Mounting the DINION capture	21
3.4	Preparing the Wiring	24
3.4.1	Power Input Connections	25
3.4.2	Ethernet and Power Connections	25
3.4.3	Video Connection for Installation	25
3.5	Making the Connections	26
3.6	Connecting to a Coax Cable	27
3.7	Using a microSD Card	28
3.8	Resetting the DINION capture 5000 IP	29
3.9	Automatic Mode Switching	30
<b>4</b>	<b>Configuration</b>	<b>33</b>
4.1	Menu Navigation Keys	33
4.2	Install Menu	33
4.2.1	Pre-Defined Modes	34
4.2.2	Lens Wizard submenu	35
4.2.3	Network submenu	36
4.2.4	Default submenu	36
<b>5</b>	<b>Browser connection</b>	<b>37</b>
5.1	System requirements	37
5.2	Establishing the connection	38

---

5.2.1	Password protection in camera	38
5.3	Protected network	38
5.4	Connecting to a hardware decoder	39
5.4.1	Alarm connection	39
5.5	Connection established	40
5.5.1	LIVEPAGE	40
5.5.2	RECORDINGS	40
5.5.3	SETTINGS	41

---

<b>6</b>	<b>Operation via the browser</b>	<b>42</b>
6.1	Livepage	42
6.1.1	Processor load	42
6.1.2	Image selection	43
6.1.3	Digital I/O	44
6.1.4	System Log / Event Log	44
6.1.5	Saving snapshots	45
6.1.6	Recording video sequences	45
6.1.7	Running recording program	45
6.1.8	Audio communication	46
6.2	Recordings page	47
6.2.1	Controlling playback	47

---

<b>7</b>	<b>Basic Mode</b>	<b>49</b>
7.1	Basic Mode menu tree	49
7.2	Device Access	50
7.2.1	Camera name	50
7.2.2	Password	50
7.3	Date/Time	51
7.4	Network	52
7.5	Encoder	53
7.6	Recording	53
7.6.1	Storage medium	53
7.7	System Overview	53

---

<b>8</b>	<b>Advanced Mode</b>	<b>54</b>
8.1	Advanced Mode menu tree	54
8.2	General	56

8.2.1	Identification	56
8.2.2	Password	56
8.2.3	Date/Time	58
8.2.4	Display Stamping	59
8.3	Web Interface	61
8.3.1	Appearance	61
8.3.2	LIVEPAGE Functions	62
8.3.3	Logging	63
8.4	Camera	64
8.4.1	Mode	64
8.4.2	ALC	66
8.4.3	Shutter/AGC	67
8.4.4	Enhance	68
8.4.5	Encoder Profile	70
8.4.6	Encoder Streams	74
8.4.7	Privacy Masks	75
8.4.8	Audio	75
8.4.9	Installer Menu	77
8.5	Recording	78
8.5.1	Storage Management	79
8.5.2	Recording Profiles	82
8.5.3	Retention Time	83
8.5.4	Recording Scheduler	84
8.5.5	Recording Status	85
8.6	Alarm	86
8.6.1	Alarm Connections	86
8.6.2	Video Content Analyses (VCA)	89
8.6.3	VCA configuration- Profiles	90
8.6.4	VCA configuration - Scheduled	96
8.6.5	VCA configuration - Event triggered	98
8.6.6	Audio Alarm	99
8.6.7	Alarm E-Mail	100
8.6.8	Alarm Task Editor	102
8.7	Interfaces	103
8.7.1	Alarm input	103
8.7.2	Relay	103
8.8	Network	105

---

8.8.1	Network Access	105
8.8.2	Advanced	109
8.8.3	Multicast	110
8.8.4	FTP Posting	112
8.8.5	Encryption	113
8.9	Service	113
8.9.1	Maintenance	113
8.9.2	Licenses	115
8.9.3	System Overview	115
<hr/>		
<b>A</b>	<b>Dimensional Drawings</b>	<b>116</b>

# 1 Safety

## 1.1 Safety precautions

---

### **DANGER!**



High risk: This symbol indicates an imminently hazardous situation such as "Dangerous Voltage" inside the product. If not avoided, this will result in an electrical shock, serious bodily injury, or death.

---

### **WARNING!**



Medium risk: Indicates a potentially hazardous situation. If not avoided, this could result in minor or moderate bodily injury.

---

### **CAUTION!**



Low risk: Indicates a potentially hazardous situation. If not avoided, this could result in property damage or risk of damage to the unit.

---

### **NOTICE!**



This symbol indicates information or a company policy that relates directly or indirectly to the safety of personnel or protection of property.

---

## 1.2 Important safety instructions

Read, follow, and retain for future reference all of the following safety instructions. Heed all warnings on the unit and in the operating instructions before operating the unit.

1. **Cleaning** - Unplug the unit from the outlet before cleaning. Follow any instructions provided with the unit. Generally, using a dry cloth for cleaning is sufficient but a moist, fluff-free cloth or leather shammy may also be used. Do not use aerosol cleaners.
2. **Heat Sources** - Do not install the unit near any heat sources such as radiators, heaters, stoves, or other equipment (including amplifiers) that produce heat.
3. **Object and liquid entry** - Never push objects of any kind into this unit through openings as they may touch dangerous voltage points or short-out parts that could result in a fire or electrical shock. Never spill liquid of any kind in the unit.
4. **Lightning** - For added protection during a lightning storm, or when leaving this unit unattended and unused for long periods, unplug the power source and disconnect the cable system. This will prevent damage to the unit from lightning and power line surges.
5. **Controls adjustment** - Adjust only those controls specified in the operating instructions. Improper adjustment of other controls may cause damage to the unit. Use of controls or adjustments, or performance of procedures other than those specified, may result in hazardous radiation exposure.
6. **Overloading** - Do not overload circuits. This can cause fire or electrical shock.
7. **Power cable protection** - Protect the power cable from foot traffic, from being pinched by items placed upon it, and at cable's exit from the unit.



8. **Power disconnect** - Units have power supplied to the unit whenever the power cord is inserted into the power source. The power cord plug is the main power disconnect device for switching off the voltage for all units.
9. **Power sources** - Operate the unit only from the type of power source indicated on the label. Before proceeding, be sure to disconnect the power from the cable to be installed into the unit.
  - For external power supplied units, use only the recommended or approved power supplies.
  - For limited power source units, this power source must comply with *EN60950*. Substitutions may damage the unit or cause fire or shock.
  - For 24 VAC units, voltage applied to the unit's power input should not exceed  $\pm 10\%$ , or 26.4 VAC. User-supplied wiring must comply with local electrical codes (Class 2 power levels). Do not ground the supply at the terminals or at the unit's power supply terminals.
  - If unsure of the type of power supply to use, contact your dealer or local power company.
10. **Servicing** - Do not attempt to service this unit yourself.
11. **Damage requiring service** - Unplug the unit from the main AC power source and refer servicing to qualified service personnel when any damage to the equipment has occurred, such as:
  - the power supply cord or plug is damaged;
  - internal exposure to moisture, water, and/or inclement weather (rain, snow, etc.);
  - liquid has been spilled in the equipment;
  - an object has fallen into the unit;
  - unit has been dropped;
  - unit exhibits a distinct change in performance;
  - unit does not operate normally when the user correctly follows the operating instructions.

12. **Replacement parts** - Be sure the service technician uses replacement parts specified by the manufacturer, or that have the same characteristics as the original parts. Unauthorized substitutions may cause fire, electrical shock, or other hazards.
13. **Safety check** - Safety checks should be performed upon completion of service or repairs to the unit to ensure proper operating condition.
14. **Installation** - Install in accordance with the manufacturer's instructions and in accordance with applicable local codes.
15. **Attachments, changes or modifications** - Only use attachments/accessories specified by the manufacturer. Any change or modification of the equipment, not expressly approved by Bosch, could void the warranty or, in the case of an authorization agreement, authority to operate the equipment.

## 1.3 Important notices



**Accessories** - Do not place this unit on an unstable stand, tripod, bracket, or mount. The unit may fall and cause serious injury and/or serious damage to the unit. Use only with the cart, stand, tripod, bracket, or table specified by the manufacturer. When a cart is used, use caution and care when moving the cart/apparatus combination to avoid injury from tip-over. Quick stops, excessive force, or uneven surfaces may cause the cart/unit combination to overturn. Mount the unit per the manufacturer's instructions.

**All-pole power switch** - Incorporate an all-pole power switch, with a contact separation of at least 3 mm in each pole, into the electrical installation of the building. If it is needed to open the housing for servicing and/or other activities, use this all-pole switch as the main disconnect device for switching off the voltage to the unit.

**Camera signal** - Protect the cable with a primary protector if the camera signal is beyond 140 feet, in accordance with *NEC800 (CEC Section 60)*.



### NOTICE!

#### RISK GROUP 1

IR emitted from this product.

This product has been tested according to standard CIE/IEC 62471:2006 "Photobiological safety of lamps and lamp systems" and found to meet Risk Group 1 for exposure limit 4.3.7 "Infrared radiation hazard exposure limits for the eye." For other hazard exposure limits, the product was found to be exempt. Risk Group 1 is characterized in the standard as "products are safe for most use applications, except for very prolonged exposures where direct ocular exposures may be expected." Risk Group 1 sources do not pose an infrared radiation hazard for the eye for times less than 100 s at distances beyond 200 mm or 8 inches.

The Exposure Hazard Value for the product (ratio of the Exposure level to the Exposure limit) is up to 1.8 at a test distance of 200 mm or 8 inches. The Hazard Distance (distance beyond which the product falls into the exempt/safe group) is at most 350 mm or 14 inches. Note that typical operating distances for license plate capture (3.8 m or 12.5 feet and greater) are much greater than the Hazard Distance.

When servicing the unit, physically disconnect the power supply to avoid possible IR exposure to the eyes. If physical disconnection is not possible, use appropriate shielding to block the LED panel or use eye protection with a transmission of 50% or less at a wavelength of 850 nm.

**Coax grounding:**

- Ground the cable system if connecting an outside cable system to the unit.
- Follow proper safety precautions such as grounding for any outdoor device connected to this unit.

**U.S.A. models only** - *Section 810 of the National Electrical Code, ANSI/NFPA No.70*, provides information regarding proper grounding of the mount and supporting structure, grounding of the coax to a discharge unit, size of grounding conductors, location of discharge unit, connection to grounding electrodes, and requirements for the grounding electrode.

**Disposal** - Your Bosch product was developed and manufactured with high-quality material and components that can be recycled and reused. This symbol means that electronic and electrical appliances, which have reached the end of their working life, must be collected and disposed of separately from household waste material. Separate collecting systems are usually in place for disused electronic and electrical products. Please dispose of these units at an environmentally compatible recycling facility, per *European Directive 2002/96/EC*



**Electronic Surveillance** - This device is intended for use in public areas only. U.S. federal law strictly prohibits surreptitious recording of oral communications.

**Environmental statement** - Bosch has a strong commitment towards the environment. This unit has been designed to respect the environment as much as possible.

**Electrostatic-sensitive device** - Use proper CMOS/MOS-FET handling precautions to avoid electrostatic discharge.

NOTE: Wear required grounded wrist straps and observe proper ESD safety precautions when handling the electrostatic-sensitive printed circuit boards.

**Fuse rating** - For protection of the device, the branch circuit protection must be secured with a maximum fuse rating of 16A. This must be in accordance with *NEC800 (CEC Section 60)*.

**Moving** - Disconnect the power before moving the unit. Move the unit with care. Excessive force or shock may damage the unit.

**Outdoor signals** - The installation for outdoor signals, especially regarding clearance from power and lightning conductors and transient protection, must be in accordance with *NEC725 and NEC800 (CEC Rule 16-224 and CEC Section 60)*.

**Permanently connected equipment** - Incorporate a readily accessible disconnect device external to the equipment.

**Pluggable equipment** - Install the socket outlet near the equipment so it is easily accessible.

**PoE Plus** - Use only approved PoE Plus devices.

By default, power is supplied to the camera via the standard (11-30 VDC or 24 VAC) power connection. If connection is made via the Ethernet cable, compliant with the Power-over-Ethernet (IEEE 802.3at Type 2) standard at the same time as the standard connection, the standard connection will prevail without damage to the device. To use PoE Plus, standard power must be turned off.

**Power lines:** An outdoor system should not be located in the vicinity of overhead power lines, electrical lights, or power circuits, or where it may contact such power lines or circuits. When installing an outdoor system, extreme care should be taken to keep from touching power lines or circuits, as this contact may be fatal.

U.S.A. models only - refer to the National Electrical Code *Article 820* regarding installation of CATV systems.

**11-30 VDC / 24 VAC power source:** This device is intended to operate with a limited power source; this power source must comply with *EN60950*. The device is designed to operate at either 11-30 VDC or 24 VAC (if PoE is not available). User supplied wiring must be in compliance with electrical codes (Class 2 power levels). If 24 VAC is used, do not ground the 24 VAC supply at the terminals or at the device's power supply terminals.

**Connections:** The unit has connection terminals on flying leads. In wet or outdoor installations use a field wiring box with NEMA 3 or IP55 protection level or better. Make the connections inside the water tight compartment. After connections are made ensure that the watertight compartment is tightly closed and cables and conduits are properly sealed to prevent ingress of water.

**SELV** - All the input/output ports are Safety Extra Low Voltage (SELV) circuits. SELV circuits should only be connected to other SELV circuits.

Because ISDN circuits are treated like telephone-network voltage, avoid connecting the SELV circuit to the Telephone Network Voltage (TNV) circuits.

## 1.4 FCC & ICES compliance

### FCC & ICES Information

*(U.S.A. and Canadian Models Only)*

This device complies with *part 15* of the *FCC Rules*. Operation is subject to the following conditions:

- this device may not cause harmful interference, and
- this device must accept any interference received, including interference that may cause undesired operation.

NOTE: This equipment has been tested and found to comply with the limits for a **Class A** digital device, pursuant to *Part 15* of the *FCC Rules* and *ICES-003 of Industry Canada*. These limits are designed to provide reasonable protection against harmful interference when the equipment is operated in a **commercial environment**. This equipment generates, uses, and radiates radio frequency energy and, if not installed and used in accordance with the instruction manual, may cause harmful interference to radio communications. Operation of this equipment in a residential area is likely to cause harmful interference, in which case the user will be required to correct the interference at his expense.

Intentional or unintentional modifications, not expressly approved by the party responsible for compliance, shall not be made. Any such modifications could void the user's authority to operate the equipment. If necessary, the user should consult the dealer or an experienced radio/television technician for corrective action.

The user may find the following booklet, prepared by the Federal Communications Commission, helpful: *How to Identify and Resolve Radio-TV Interference Problems*. This booklet is available from the U.S. Government Printing Office, Washington, DC 20402, Stock No. 004-000-00345-4.

### Informations FCC et ICES

*(modèles utilisés aux États-Unis et au Canada uniquement)*

Ce produit est conforme aux normes *FCC partie 15*. la mise en service est soumise aux deux conditions suivantes :

- cet appareil ne peut pas provoquer d'interférence nuisible et
- cet appareil doit pouvoir tolérer toutes les interférences auxquelles il est soumis, y compris les interférences qui pourraient influencer sur son bon fonctionnement.

AVERTISSEMENT: Suite à différents tests, cet appareil s'est révélé conforme aux exigences imposées aux appareils numériques de **Classe A** en vertu de la *section 15 du règlement de la Commission fédérale des communications des États-Unis (FCC)*. Ces contraintes sont destinées à fournir une protection raisonnable contre les interférences nuisibles quand l'appareil est utilisé dans une **installation commerciale**. Cette appareil génère, utilise et émet de l'énergie de fréquence radio, et peut, en cas d'installation ou d'utilisation non conforme aux instructions, générer des interférences nuisibles aux communications radio. L'utilisation de ce produit dans une zone résidentielle peut provoquer des interférences nuisibles. Le cas échéant, l'utilisateur devra remédier à ces interférences à ses propres frais.

Au besoin, l'utilisateur consultera son revendeur ou un technicien qualifié en radio/télévision, qui procédera à une opération corrective. La brochure suivante, publiée par la Commission fédérale des communications (FCC), peut s'avérer utile : *How to Identify and Resolve Radio-TV Interference Problems* (Comment identifier et résoudre les problèmes d'interférences de radio et de télévision). Cette brochure est disponible auprès du U.S. Government Printing Office, Washington, DC 20402, États-Unis, sous la référence n° 004-000-00345-4.

**NOTICE!**

This is a class A product. In a domestic environment this product may cause radio interference, in which case the user may be required to take adequate measures.

---



## 1.5 Bosch notices

### Video loss

Video loss is inherent to digital video recording; therefore, Bosch Security Systems cannot be held liable for any damage that results from missing video information. To minimize the risk of lost digital information, Bosch Security Systems recommends multiple, redundant recording systems, and a procedure to back up all analog and digital information.

### Copyright

This manual is the intellectual property of Bosch Security Systems and is protected by copyright. All rights reserved.

### Trademarks

All hardware and software product names used in this document are likely to be registered trademarks and must be treated accordingly.

### Note:

This manual has been compiled with great care and the information it contains has been thoroughly verified. The text was complete and correct at the time of printing. The ongoing development of the products may mean that the content of the user guide can change without notice. Bosch Security Systems accepts no liability for damage resulting directly or indirectly from faults, incompleteness, or discrepancies between the user guide and the product described.

### More information

For more information please contact the nearest Bosch Security Systems location or visit [www.boschsecurity.com](http://www.boschsecurity.com)

## 2 Description

The DINION capture is a specialty camera designed to capture consistent, high-quality images of vehicle license plates. Available in IP and analog versions, it is ideal for monitoring parking lots, public areas, and for controlling vehicle access. The DINION capture overcomes the problems encountered when using conventional surveillance cameras in vehicle identification and automatic license plate recognition applications. The Night Capture Imaging System delivers a burst of infrared illumination and simultaneously filters out visible light to ensure clear license plate images in complete darkness while eliminating the negative effects of headlight glare.

Advanced Ambient Compensation minimizes plate overexposure from sunlight for more accurate automatic license plate recognition. Finally, adjustable imaging modes allow for fine-tuning the imager for specific regions or license plate recognition algorithms.

### 2.1 Parts List

Quantity	Description
1	DINION capture 5000 IP
1	3 mm Hex Key
1	5 mm Hex Key
1	Mounting Template
1	CD, containing product documentation and support files

## 3 Installing the DINION capture

This section provides instructions for mounting and wiring the DINION capture.

---

### CAUTION!



The selected mounting location should not place the camera in a situation where its environmental specifications could be exceeded.

Ensure the selected location is protected from falling objects, accidental contact with moving objects, and unintentional interference from personnel. Follow all applicable building codes.

---

### 3.1 Determining the Range

The DINION capture has a recommended operation range with specified optimal capture distance for each model as shown below. Installation should aim to control the traffic through one lane.

#### **Ranges based on capturing:**

520 x 115 mm (approximate) license plates on PAL units  
(xER-L2Ry-1)

12 x 6 in. (approximate) license plates on NTSC units  
(xER-L2Ry-2)

#### **Field of View at Optimal Capture Distance:**

2.8 x 2.1 m (PAL units)

6 ft 6 in. x 4 ft 11 in. (NTSC units)

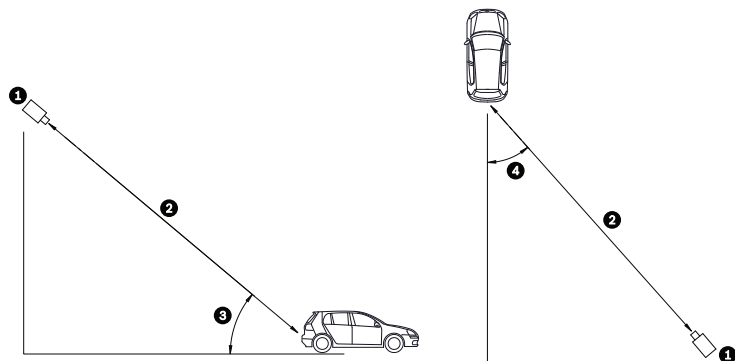
Model	Capture Range	Optimal Distance	HFOV	VFOV
NER-L2R1-1	3.8–6.4 m (12.5–21.0 ft)	4.9 m (16.0 ft)	31.9°	24.2°
NER-L2R1-2			23.0°	17.3°
NER-L2R2-1	5.5–9.1 m (18–30 ft)	7.1 m (23.1 ft)	22.3°	16.8°
NER-L2R2-2			16.0°	12.0°
NER-L2R3-1	7.9–13.7 m (26–45 ft)	10.2 m (33.5 ft)	15.6°	11.8°
NER-L2R3-2			11.1°	8.3°
NER-L2R4-1	11.3–19.5 m (37–64 ft)	14.8 m (48.4 ft)	10.8°	8.1°
NER-L2R4-2			7.7°	5.8°
NER-L2R5-1	16.5–28.0 m (54–92 ft)	21.3 m (70.0 ft)	7.5°	5.6°
NER-L2R5-2			5.3°	4.0°

**Table 3.1** Ranges for DINION capture 5000 IP Imagers

## 3.2 Determining the Angle

The maximum mounting angle of the license plate camera to the car is 40° for speeds up to 160 km/h (100 mph), both horizontally and vertically. This angle limits the amount of skew of the letters on the number plate. If the letters are skewed too much they will start to become unrecognizable and will reduce automatic software recognition rates.

For maximum performance ensure the mounting angle is as narrow as possible. To capture vehicle speeds up to 225 km/h (140 mph) the horizontal and vertical mounting angle should be less than 30°.



**Figure 3.1** Recommended Vertical and Horizontal Mounting Angle

1	DINION capture
2	Capture Range
3	Vertical Mounting Angle
4	Horizontal Mounting Angle

If the maximum range is exceeded, then the letters become smaller and more difficult to read. At the maximum range and angle the width of the number plate covers approximately 12% of the width of the screen.

#### **NOTICE!**



The Capture Range is the distance from the license plate camera to the license plate. Working below the optimal capture distance allows a larger area for number plates and more accurate recognition but less lane area can be covered. If the imager is too close to the license plate, the plate could disappear from the field of view before it is captured.

### 3.3 Mounting the DINION capture



#### **CAUTION!**

Installation should only be performed by a qualified service professional in accordance with the National Electrical Code or applicable local codes.

For a secure mounting installation, bolts should extend through the mounting surface and be secured with nuts, washers, and lock washers on the opposite side. If studs are used, they

should be anchored in concrete or welded to a steel backer plate.

Refer to the *MBE Mounts and Adapters Installation Guide* for more details about attaching the bracket to an MBE-15 Pole Mount Adapter or to the MBE-17 Wall Mount Adapter.

1. Use the wall mount template supplied in the packaging box to locate the four mounting holes for the camera bracket.
2. Drill four (4) holes for the mounting bolts. If installing outdoors, apply a weatherproof sealant around each hole at the mounting surface.
3. Route the cable. If routing the cable through the wall, drill a 25.4 mm (1 in.) hole following the wall mount template and use a weatherproof sealant to seal around the cable to ensure a weather tight seal between indoors and outdoors, otherwise route the cable through one of the side holes in the mounting bracket by removing the plug and routing the cable through.

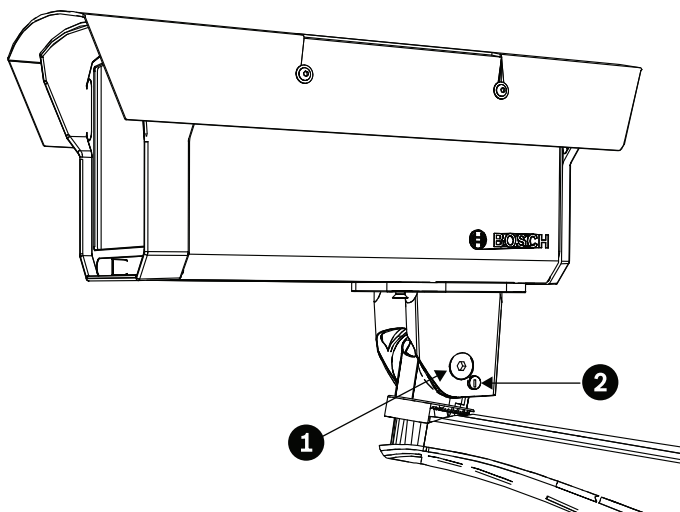
**WARNING!**

A stud/bolt diameter of 6.0 mm (or 1/4 inch) able to withstand a 300 kg (660 lb) pull-out force is recommended. The mounting material must be able to withstand this pull out force.

---

4. Secure the mounting bracket to the mounting surface. Use four (4) corrosion-resistant, stainless steel studs or bolts, nuts, washers, and lock washers (not supplied).
5. Adjust the license plate camera angle using the range and angle recommendations in *Section 3.1 Determining the Range, page 19*.
  - Connect the imager to a local monitor to assist adjusting the license plate camera. For DINION capture 5000 IP cameras, refer to *Section 3.4.3 Video Connection for Installation, page 25*.

6. Adjust the tilt angle of the camera by loosening the tilt bolt (item 1, below) with the 5 mm hex key and the set screw (item 2) with a flat head screwdriver.



7. Place the license plate camera at the desired tilt angle and tighten the tilt bolt and the set screw.
8. Adjust the pan angle of the camera by loosening the pan bolt, located beneath the bracket mounting head, by loosening the pan bolt using the 5 mm hex key. Place the license plate camera at the desired pan angle and tighten the bolt.

**NOTICE!**

For purposes of evaluation and testing of the mounting bracket's integrity under static loading at CSA, the unit was mounted to a drywall surface as per the procedures below:

- Locate a stud in the wall and mark the outside edges of the stud.
- Using the wall mount bracket as a template, align the mounting hole with the center of the stud.
- Mark the point on the wall in the center of the hole where the mounting bolt will be positioned.
- Remove the wall mount bracket and drill a pilot hole at the marked point.
- Align the wall mount bracket mounting hole with the hole drilled in the wall.
- Using a screwdriver, secure the wall mount bracket by screwing a 2.5 in. screw with washer securely into the stud.
- Follow this procedure to attach the three remaining screws.

**NOTICE!**

The camera has not been evaluated for safety requirements using other mounting kits.



## 3.4 Preparing the Wiring

**CAUTION!**

Before proceeding, disconnect the power from the power supply cable. Ensure that the voltage of the unit matches the voltage and type of the power supply being used.



The DINION capture 5000 IP is pre-wired with a 2-m long power input lead and 10/100 Ethernet cable with a male RJ45 connection. The DINION capture 5000 IP can accept power via the Ethernet cable compliant with the Power-over-Ethernet+ (PoE+ IEEE 802.3at) standard or from a Class 2 power supply.



### 3.4.1 Power Input Connections

A voltage regulator circuit allows for DC or AC operation between 11-30 VDC and 24 VAC. It also provides protection from voltage surges, transient spikes, and reversed voltage. Connect power from a 24 VAC or 11–30 VDC Class 2 power supply to the ferrule tipped power leads (red, black) from the camera. Use minimum AWG18 stranded wire.

**Note:**

For a **Class 2 AC/DC supply** the polarity does not matter.

### 3.4.2 Ethernet and Power Connections

- Connect the camera to a 10/100 Base-T network.
- Use screened UTP Category 5e cable with RJ45 connectors (the camera network socket is Auto MDIX compliant).
- Power can be supplied to the camera via the Ethernet cable compliant with the Power-over-Ethernet Plus (IEEE 802.3at) standard.

Three power options, PoE+, 24 VAC, and 11–30 VDC are available. Using PoE+ makes installation easier and more cost-effective, as cameras do not require a local power source. To increase system reliability, the camera can be simultaneously connected to both PoE+ and 11-30 VDC/24 VAC supplies.

By default, power is supplied to the camera via the 11–30 VDC or 24 VAC power input leads.

### 3.4.3 Video Connection for Installation

To assist in setting up the camera, the DINION capture 5000 IP provides a BNC connect on the back panel. Use this BNC connector to temporarily connect a monitor to the IP camera, refer to *Section 3.6 Connecting to a Coax Cable, page 27*.

---

## 3.5 Making the Connections

---

**WARNING!**

Before proceeding, disconnect the power from the power supply cable. Ensure that the voltage of the unit matches the voltage and type of the power supply being used.

---

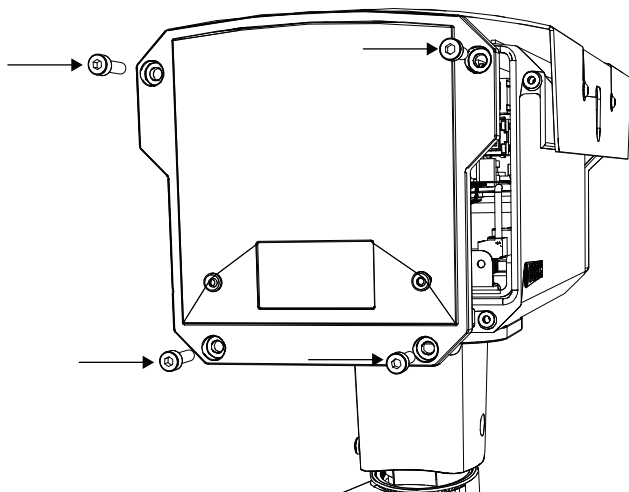
The easiest way to connect the cables is as follows:

1. Bring the building connections through the surface cable hole so that they hang clear.
2. Connect the Ethernet cable with connector to RJ-45 jack coming from the DINION capture 5000 IP.
3. Connect the ferrule tipped power wires (red, black; polarity independent) to the power supply connection if power is not supplied via PoE+ over the Ethernet cable.  
**Note:** You can connect the imager to a PoE+ and to an 11-30 VDC / 24 VAC supply simultaneously.
4. In damp environments ensure that the connections are sealed inside a junction box or a field wiring box with NEMA 3 or IP55 protection level or better. Make the connections inside the water tight compartment. After connections are made ensure that the watertight compartment is tightly closed and cables and conduits are properly sealed to prevent ingress of water.

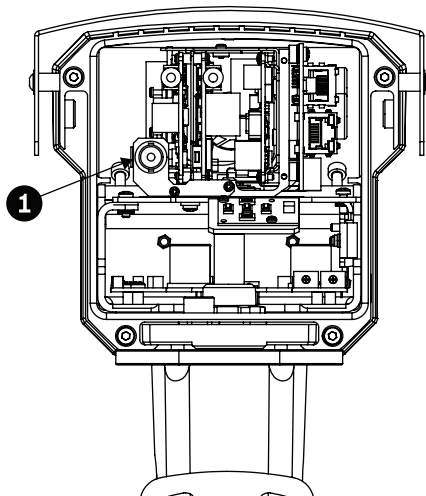
## 3.6 Connecting to a Coax Cable

You can temporarily connect the DINION capture 5000 IP to a monitor via a coax cable to view the transmitted image for setup and testing purposes.

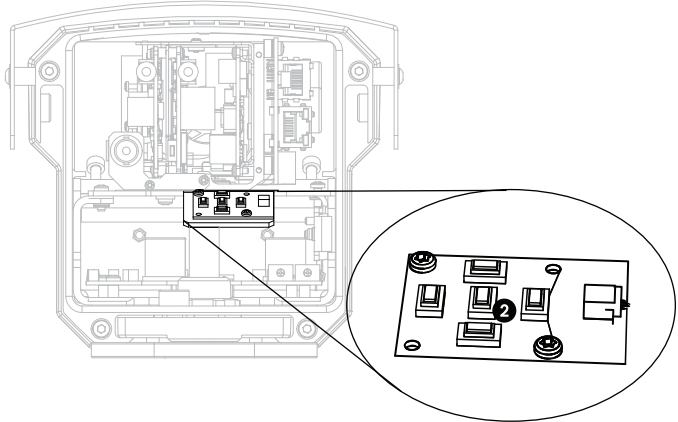
1. Remove the four (4) hex socket screws from the back panel using the supplied 3 mm hex key.



2. Locate the BNC connector (item 1, below) inside the imager and connect a coax cable.



3. Connect the other end of the coax cable to a monitor.
4. Ensure that power is restored to the imager.
5. Press and hold the center key (item 2) for approximately two seconds. The BNC video output is activated and the Install menu appears on the monitor.



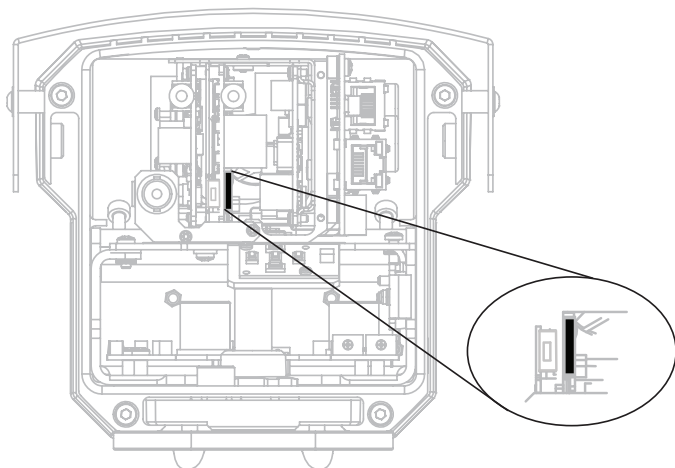
6. Adjust settings and setup camera positioning as required.
7. Press and hold the center key a second time to return the video signal back to the Ethernet connection. Release the button once the BNC connection loses the video signal.
8. Replace the back panel using the four hex socket screws and the supplied 3 mm hex key.

## 3.7 Using a microSD Card

The DINION capture 5000 IP supports most microSD cards (SDHC). For a list of recommended cards (not supplied by Bosch), please visit [www.boschsecurity.com](http://www.boschsecurity.com).

To insert a microSD card:

1. Remove the back panel of the DINION capture 5000 IP. Refer to *Section 3.6 Connecting to a Coax Cable*, page 27 for instructions.
2. Slide the SD card into the slot, located near the center of the imager.



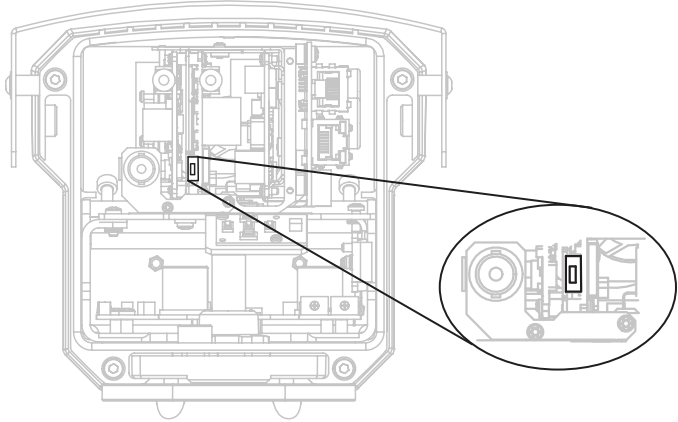
3. Replace the rear panel.
4. Refer to *Section 8.5 Recording*, page 78, for more information on using the microSD card.

### 3.8 Resetting the DINION capture 5000 IP

You may need to restore the default IP address or restore a previous version of the Bosch Video over IP (BVIP) firmware on the DINION capture 5000 IP.

To reset the imager:

1. Remove the back panel. Refer to *Section 3.6 Connecting to a Coax Cable*, page 27 for instructions.
2. Locate the reset button, towards the center of the imager.



3. With the power on, press and hold the reset button for more than ten (10) seconds to restore the factory defaults.
4. Replace the rear panel.

## 3.9 Automatic Mode Switching

Automatic Mode Switching is a feature on the license plate camera that automatically compensates for bright conditions. Automatic Mode Switching, by default, operates by switching from Mode 1 (Normal) to Mode 2 (FullSun) when the ambient light levels rise above normal conditions (for example, bright sunlight on the scene). Automatic Mode Switching is inactive by default and requires setup to operate as desired.

In most conditions, Automatic Mode Switching may not be necessary. Activate the switch only if the license plate camera operates as desired during darker conditions but overexposes the image during sunny conditions.

**IMPORTANT:** Only setup Automatic Mode Switching if the target license plate is in the sun and the captured image is overexposed, never setup if the license plate is in the shade.

### Mode Details

Mode 2 (FullSun) is two (2) gain points less than the normal mode, by default. You can modify both mode settings as needed in order to provide the desired image throughout the day.

When modifying settings, first verify which mode is active by clicking the Settings link at the top of the page. Then click on Advanced Mode and navigate to Camera>PictureSettings>Mode. The active model shows in the Current Modedrop down box.

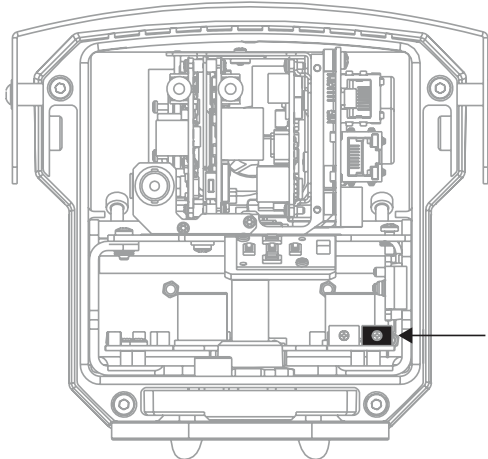
If changes are made to Mode 1 (Normal) ensure that the offset change is made to Mode 2 (FullSun). For example, if the plate image is too bright in Mode 1 (Normal) and you change the gain from 8 to 6, then you should change the gain in Mode 2 (FullSun) from 6 to 4.

### Important:

After changes are made to any settings ensure the DINION capture is left in mode 1 under Camera>Picture Settings (refer to *Section 8.4.1 Mode, page 64*).

### To setup Automatic Mode Switching:

1. Ensure to setup during the brightest conditions of the day, the plate image should appear very bright before setup.
2. Remove the back panel of the housing and locate the potentiometer on the right.



3. Navigate to the Livepage for the camera (refer to *Section 6 Operation via the browser, page 42*) and observe the Input 1 symbol.
4. Slowly turn the potentiometer counter-clockwise until the Input 1 symbol lights up. The camera is now in Mode 2 (FullSun) and the image appears dimmed slightly.
5. If the image is still too bright, navigate to the Settings page for the camera.
  - From the Livepage, click the Settings link at the top of the page.
  - Click the Advanced Mode link, then navigate to Camera>Picture Settings>Shutter/AGC.
  - Lower the Fixed gain setting until the desired image is achieved.
  - If the lowest gain setting is reached and the image is still too bright try changing the shutter to 1/10000.

**To disable Automatic Mode Switching:**

1. Navigate to the Settings page for the camera, under the Advanced Mode link, click the Interfaces link, then click Alarm Inputs.
2. Select None for the Action option. Refer to *Section 8.7.1 Alarm input, page 103*, for more information.

---

**NOTICE!**



Shutter can also be changed to adjust plate brightness. Shutter is fixed at 1/5000 from the factory and should be changed only by an experienced user. Changing the shutter speed affects maximum capture speed of the vehicle and ambient rejection ability.

---

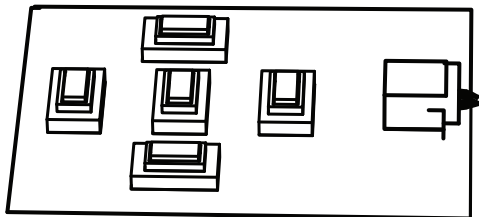


## 4 Configuration

Configuration of the DINION capture 5000 IP is carried out remotely via the network using a web browser. However, the license plate camera also has a set-up menu in which basic installation settings can be accessed. To view this menu, connect a monitor to the composite video output of the camera (refer to *Section 3.6 Connecting to a Coax Cable, page 27*).

### 4.1 Menu Navigation Keys

Five keys are used for navigating through menu system.



- Use the up or down keys to scroll through a menu.
- Use the left or right keys to move through options or to set parameters.
- When in a menu, quickly double-press the menu/select key to restore the selected item to its factory default.
- To close all menus at once hold down the menu/select key until the menu display disappears or continually select the **Exit** item.

Some menus automatically close after about two minutes; other menus have to be closed manually.

### 4.2 Install Menu

When the Install menu is opened, the MAC address of the unit is shown. This is factory set and cannot be changed. The items in the menu include the Mode selection, the Lens Wizard submenu, the Network submenu, and the Defaults submenu.

**Note:** License plate camera parameter set-up is done via the web browser interface.

### 4.2.1 Pre-Defined Modes

There are six operating modes settings to make configuration easier. Normal and FullSun modes are pre-programmed to work with Automatic Mode Switching. Any one of the six modes can be selected as the "switch-to" mode in Automatic Mode Switching, refer to *Section 8.7.1 Alarm input*. The modes are defined as follows:

1. **Normal** (Mode 1)  
Default installation mode to provide stable pictures over a 24-hour period. These settings are optimized for out-of-the-box installation.
2. **FullSun** (Mode 2)  
Reduced gain to provide properly exposed image during bright conditions.
3. **Mode 3**  
Default settings.
4. **Mode 4**  
Default settings.
5. **Mode 5**  
Default settings.
6. **Mode 6**  
Default settings.

## 4.2.2 Lens Wizard submenu



### NOTICE!

Lens is factory calibrated and does not require any adjustments.

Item	Selection	Description
Lens type	Auto, Manual, DC-iris, Video	Auto: automatically selects the type of lens. Manual, DC-iris, Video modes: select the matching lens type to force the camera to the correct lens mode.
Detected		Shows the type of lens detected when auto lens detection is used.
Set Backfocus now		Select to fully open the iris. Follow the instructions below for setting the backfocus for your particular lens type. After focusing the object of interest remains in focus under bright and low light conditions.
Set LVL		Only for video-iris lenses. Adjust the level control on the lens to center the level detector indicator (see below).
EXIT		Returns to Install menu.

### 4.2.3 Network submenu

To operate the DINION capture 5000 IP in your network, a network-valid IP address must be assigned. The factory default IP address is 192.168.0.1.

Item	Selection	Description
IP Address		Enter an IP address for the camera. Use LEFT/RIGHT to change position in the address, use UP/DOWN to select the digit. Use SELECT to exit the address edit screen.
Subnet Mask		Enter the Subnet mask (default 255.255.255.0).
Gateway		Enter a Gateway address.
DHCP		If the network has a DHCP server for dynamic IP address allocation, set this parameter to <b>On</b> to activate the automatic acceptance of DHCP-assigned IP addresses.
EXIT		Returns to Install menu.

The new IP address, subnet mask, and gateway address are set when leaving the menu. The camera reboots internally and the new values are set after a few seconds.

### 4.2.4 Default submenu

Item	Selection	Description
Restore All?	No, Yes	Restores all settings of the six modes to their default (factory) values. Select YES then press the Menu/Select button to restore all values. When completed the message RESTORED! is shown.

## 5 Browser connection

A computer with Microsoft Internet Explorer can be used to receive live images from the camera, control cameras, and replay stored sequences. The camera is configured over the network using the browser (or via the supplied Configuration Manager). The configuration options using the menu system of the camera itself are limited to setting up the network.

### **Note:**

The DINION capture 5000 IP can also be connected to DIBOS 900 Series, VIDOS, Bosch Video Management System, and Divar 700 Series Digital Video Recorder, as well as third party video management systems.

### 5.1 System requirements

- Microsoft Internet Explorer version 7.0 or higher
- Monitor: resolution at least 1024 × 768 pixels, 16 or 32 bit color depth
- Sun JVM installed
- Intranet or Internet network access

The Web browser must be configured to enable Cookies to be set from the IP address of the unit.

In Windows Vista, deactivate protected mode on the **Security** tab under **Internet Options**.

Read the information in the **System Requirements** document on the product DVD supplied and, if necessary, install the required programs and controls.

To play back live video images, an appropriate ActiveX must be installed on the computer. If necessary, the required software and controls can be installed from the product DVD provided.

- a. Insert the mini-DVD into the DVD-ROM drive of the computer. If the DVD does not start automatically, open the root directory of the DVD in Windows Explorer and double click **MPEGAx.exe**.
- b. Follow the on-screen instructions.

## 5.2 Establishing the connection

The DINION capture 5000 IP must be assigned a valid IP address to operate on your network. The default address pre-set at the factory is 192.168.0.1

1. Start the Web browser.
2. Enter the IP address of the camera as the URL.

### **Note:**

If the connection is not established, the maximum number of possible connections may already have been reached. Depending on the device and network configuration, up to 25 web browsers, or 50 VIDOS or Bosch VMS connections are supported.

### 5.2.1 Password protection in camera

A camera offers the option of limiting access across various authorization levels. If the camera is password-protected, a message to enter the password appears.

1. Enter the user name and the associated password in the appropriate fields.
2. Click **OK**. If the password is correct, the desired page is displayed.

## 5.3 Protected network

If a Radius server is used for network access control (802.1x authentication), the camera must be configured first. To configure the camera for a Radius network, connect it directly to a PC via a crossed network cable and configure the two parameters, **Identity** and **Password**. Only after these have been configured can communication with the camera via the network occur.

## 5.4 Connecting to a hardware decoder

A compatible H.264 hardware decoder with a monitor can be connected to the camera using an Ethernet network connection. Cameras are designed to automatically connect with other BVIP devices with the correct configuration. The units only need to be part of the same closed network. In this way it is possible to cover large distances with little installation or cabling effort.

### 5.4.1 Alarm connection

With the appropriate configuration, a connection between camera and decoder is established automatically when an alarm is triggered. After a short time, the live video image from the transmitter is shown on the connected monitor. In this case, no computer is needed to establish the connection.

**Note:**

Make sure the devices are configured for the network environment and that the correct IP address for the remote location is set on the Alarm connections configuration page.

## 5.5 Connection established

When a connection is established, the **LIVEPAGE** is initially displayed. The application title bar displays three items: **LIVEPAGE, RECORDINGS, SETTINGS**.

### Note:

The **RECORDINGS** link is only visible if a storage medium is available.

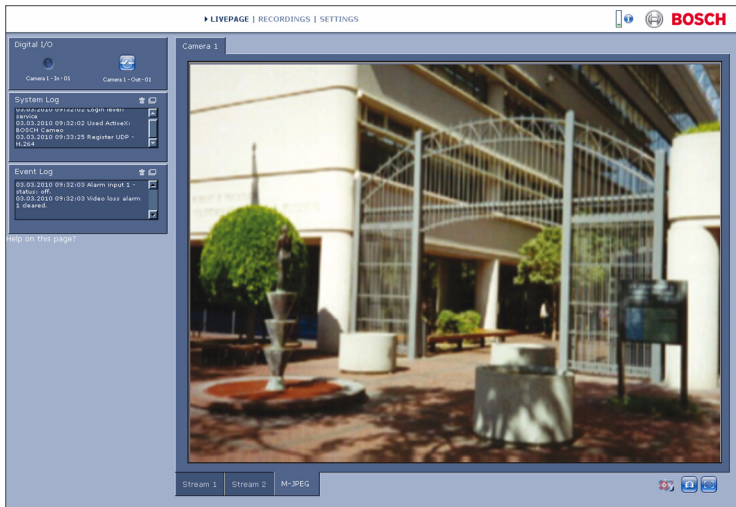


Figure 5.1 Livepage

### 5.5.1 LIVEPAGE

The **LIVEPAGE** is used to display and control the video stream. Refer to *Section 6 Operation via the browser, page 42* for more information.

### 5.5.2 RECORDINGS

Click **RECORDINGS** in the application title bar to open the playback page. Refer to *Section 6 Operation via the browser, page 42* for more information.



### 5.5.3 SETTINGS

Click **SETTINGS** in the application title bar to configure the camera and the application interface. A new page containing the configuration menu is opened. All settings are stored in the camera memory so that they are retained even if the power is interrupted.

Changes that influence the fundamental functioning of the unit (for example, firmware updates) can only be made using the configuration menu.

The configuration menu tree allows all parameters of the unit to be configured. The configuration menu is divided into **Basic Mode** and **Advanced Mode**.

Refer to *Section 7 Basic Mode, page 49* for more information on basic settings; refer to *Section 8 Advanced Mode, page 54* for more information on advanced settings.

**Note:**

It is recommended that only expert users or system administrators use the **Advanced Mode**.

## 6 Operation via the browser

### 6.1 Livepage

After the connection is established, the **Livepage** is initially displayed. It shows the live video image on the right of the browser window. Depending on the configuration, various text overlays may be visible on the live video image. Other information may also be shown next to the live video image on the **Livepage**. The display depends on the settings on the **LIVEPAGE Functions** page.

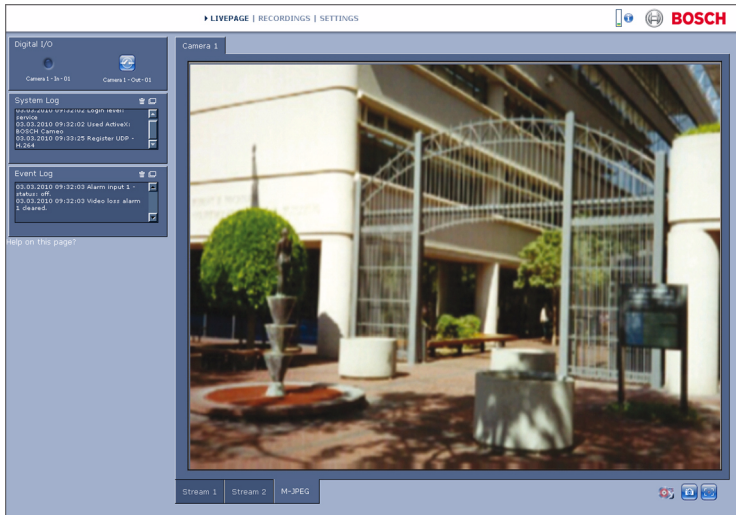


Figure 6.1 Livepage

#### 6.1.1 Processor load

When accessing the camera with a browser, the processor load and network information is available in the upper right of the window next to the Bosch logo.



Move the mouse cursor over the icons to display numerical values. This information can help with problem solving or when fine tuning the device.

## 6.1.2 Image selection

View the image on a full screen.

- Click a tab below the video image to switch between the different display streams of the camera image.

### Display Stamping

Various overlays in the video image provide important status information. The overlays provide the following information:



Decoding error

The frame might show artifacts due to decoding errors. If subsequent frames reference this corrupted frame, they might also show decoding errors as well but won't be marked with the decoding error icon.



Alarm flag set on media item



Communication error.

Any kind of communication error is indicated by this icon. Cause can be a connection failure to the storage medium, a protocol violation with a sub component or simply a timeout. An automatic reconnection procedure is started in the background to recover from this error.



Gap

No video recorded



Watermarking not valid



Watermarking flag set on media item



Motion flag set on media item



Discovery of storage not completed.

If the information about recorded video is not cached, a discovery procedure is started to find all recorded video. During this time, the discovery symbol is shown. While discovery is executed, gaps might be shown in places which the discovery has not yet reached. The gap will be automatically replaced by the true video, as soon as the correct information is available.

### 6.1.3 Digital I/O

Depending on the configuration of the unit, the alarm input and the relay output are displayed next to the camera image. The alarm symbol is for information and indicates the input status of the alarm input: Active 1 = Symbol lights, Active 0 = Symbol not lit. The relay on the camera allows the operation of a device (for example, a light or a door opener).

---

#### NOTICE!



Alarm 1 is reserved for Automatic Mode Switching, when Mode 2 (FullSun) is active the symbol will be lit. Automatic Mode Switching must be activated to operate, refer to *Section 3.9 Automatic Mode Switching, page 30*.

---


- To operate, click the relay symbol. The symbol is red when the relay is activated.

### 6.1.4 System Log / Event Log

The **System Log** field contains information about the operating status of the camera and the connection. These messages can be saved automatically in a file. Events such as the triggering or end of alarms are shown in the **Event Log** field. These messages can be saved automatically in a file. To delete the entries, click the icon in the top right-hand corner of the relevant field.


### 6.1.5 Saving snapshots

Individual images from the video sequence that is currently being shown on the **Livepage** can be saved in JPEG format on the computer's hard drive.

- Click the camera icon  to save single images.  
The storage location depends on the configuration of the camera.

### 6.1.6 Recording video sequences


Sections of the video sequence that is currently being shown on the **Livepage** can be saved on the computer's hard drive. The sequences are recorded at the resolution specified in the encoder configuration. The storage location depends on the configuration of the camera.

1. Click the recording icon  to record video sequences.
  - Saving begins immediately. The red dot on the icon indicates that a recording is in progress.
2. Click the recording icon again to stop recording.

Play back saved video sequences using the Player from Bosch Security Systems.

### 6.1.7 Running recording program

The hard drive icon below the camera images on the **Livepage** changes during an automatic recording.

The icon lights up and displays a moving graphic  to indicate a running recording. If no recording is taking place, a static icon is displayed.

---

## 6.1.8 Audio communication

---

**NOTICE!**

Provisions for audio connectivity are not available in the DINION capture 5000 IP.

---

Audio can be sent and received via the **Livepage** if the active monitor and the remote station of the camera support audio.

1. Press and hold the F12 key to send an audio signal to the camera.
2. Release the key to stop sending audio.

All connected users receive audio signals sent from the camera but only the user who first pressed the F12 key can send audio signals; others must wait for the first user to release the key.

## 6.2 Recordings page

Click **Recordings** to access the **Recordings** page from the **Livepage** or **Settings** page (the **Recordings** link is only visible if a storage medium has been selected).

### Selecting Recordings

All saved sequences are displayed in a list. A track number is assigned to each sequence. Start time and stop time, recording duration, number of alarms, and recording type are displayed. To play back recorded video sequences:

1. Select **Recording 1** or **2** in the drop-down menu. (The contents for 1 and 2 are identical, only the quality and location may be different.)
2. Use the arrow buttons to browse the list.
3. Click a track. The playback for the selected sequence starts.

### Export to FTP

Click **Export to FTP** to send the current track to the FTP server. If required, change the times within the selected range.

### 6.2.1 Controlling playback



A time bar below the video image allows quick orientation. The time interval associated with the sequence is displayed in the bar in gray. A green arrow above the bar indicates the position of the image currently being played back within the sequence.

The time bar offers various options for navigation in and between sequences.

- Change the time interval displayed by clicking the plus or minus icons. The display can span a range from two months to a few seconds.
- If required, drag the green arrow to the point in time at which the playback should begin.
- Red bars indicate the points in time where alarms were triggered. Drag the green arrow to navigate to these points quickly.

Control playback by means of the buttons below the video image. The buttons have the following functions:



Start/Pause playback



Jump to start of active sequence or to previous sequence



Jump to start of the next video sequence in the list

### Slide control

Continuously select playback speed by means of the speed regulator:



### Bookmarks

In addition, set markers in the sequences, so-called bookmarks, and jump directly to these. These bookmarks are indicated as small yellow arrows above the time interval. Use the bookmarks as follows:



Jump to the previous bookmark



Set bookmark



Jump to the following bookmark

Bookmarks are only valid while in the Recordings page; they are not saved with the sequences. All bookmarks are deleted when leaving the page.



# 7 Basic Mode

## 7.1 Basic Mode menu tree

The basic mode configuration menu allows a set of basic camera parameters to be configured.

Basic Mode	
>	Device Access
>	Date/Time
>	Network
>	Encoder
>	Recording
>	System Overview

To view the current settings:

1. If necessary, click the Basic Mode menu to expand it. The sub-menus are displayed.
2. Click a sub-menu. The corresponding page is opened.

The settings are changed by entering new values or by selecting a pre-defined value in a list field.

### Saving changes

After making changes in a window, click **Set** to send the new settings to the device and save them there.

Clicking **Set** saves only the settings in the current window. Changes in any other windows are ignored.

Click **SETTINGS** in the applications title bar to close the window without saving the changes.

### Note:

Device time settings are lost after 1 hour without power if no central time server is selected.

### Note:

When entering names do not use any special characters, for example **&**. Special characters are not supported by the internal recording management system.

## 7.2 Device Access

### 7.2.1 Camera name

Assign a name to assist in identification. This name simplifies the management of multiple devices in more extensive systems. The name is used for remote identification, for example, in the event of an alarm. Enter a name that makes it as easy as possible to identify the location unambiguously.

### 7.2.2 Password

A password prevents unauthorized access to the device. The device recognizes three authorization levels: **service**, **user**, and **live**.

- **service** is the highest authorization level. Entering the correct password gives access to all the functions of the camera and allows all configuration settings to be changed.
- **user** is the middle authorization level. This user can operate the device, play back recordings, and also control a camera but cannot change the configuration.
- **live** is the lowest authorization level. It can only be used to view the live video image and switch between the different live image displays.

Use the various authorization levels to limit access. Proper password protection is only guaranteed if all higher authorization levels are also protected with a password. For example, if a **live** password is assigned, a **service** and a **user** password should also be set. When assigning passwords, always start from the highest authorization level, **service**, and use different passwords.

#### Password

Define and change a separate password for each level while logged in as **service** or if the device is not protected by a password. Enter the password (19 characters maximum) for the selected level.

### **Confirm password**

Re-enter the new password to ensure that there are no typing mistakes.

The new password is only saved after clicking **Set**. Therefore, click **Set** immediately after entering and confirming the password, even if assigning a password at another level.

## **7.3 Date/Time**

### **Device date, time and zone**

If there are multiple devices operating in the system or network, it is important to synchronize their internal clocks. For example, it is only possible to identify and correctly evaluate simultaneous recordings when all devices are operating on the same time.

As the device time is controlled by the internal clock, it is not necessary to enter the day or date of the week. These are set automatically. The time zone in which the system is located is also set automatically.

- Click **Sync to PC** to apply the system time from your computer to the device.

### **Time server IP address**

The camera can receive the time signal from a time server using various time server protocols and then use it to set the internal clock. The device polls the time signal automatically once every minute. Enter the IP address of a time server.

### **Time server type**

Select the protocol that is supported by the selected time server. It is recommended to select the **SNTP server** protocol. This protocol provides high accuracy and is required for special applications and future function extensions. Select **Time server** if the server uses the RFC 868 protocol.

### **Note:**

It is important to ensure that the date/time is correct for recording. An incorrect date/time setting could prevent correct recording.

## 7.4 Network

Use the settings on this page to integrate the device into a network. Some changes only take effect after a reboot. In this case, the **Set** button changes to **Set and Reboot**.

1. Make the desired changes.
2. Click **Set and Reboot**.
  - The device is rebooted and the changed settings are activated. If the IP address, subnet mask, or gateway address is changed, then the device is only available under the new addresses after the reboot.

### DHCP

If the network has a DHCP server for dynamic IP address allocation, set this parameter to **On** to activate the automatic acceptance of DHCP-assigned IP addresses.

### Note:

Certain applications (for example, Bosch Video Management System) use the IP address for the unique assignment of the device. If using these applications, the DHCP server must support the fixed assignment between IP address and MAC address, and must be appropriately set up so that, once an IP address is assigned, it is retained each time the system is rebooted.

### IP address

Enter the desired IP address for the camera. The IP address must be valid for the network.

### Subnet mask

Enter the appropriate subnet mask for the set IP address.

### Gateway address

Enter the IP address of the gateway to establish a connection to a remote location in a different subnet. Otherwise, this field can remain empty (0.0.0.0).

## 7.5 Encoder

Select a profile for encoding the video signal. Pre-programmed profiles are available that give priority to different parameters. When a profile is selected, its details are displayed.

## 7.6 Recording

Record the images from the camera to a storage medium. For long-term authoritative images, it is essential to use a Divar 700 Series Digital Video Recorder or an appropriately sized iSCSI system.

### 7.6.1 Storage medium

1. Select the required storage medium from the list.
2. Click **Start** to start recording or **Stop** to end recording.

## 7.7 System Overview

This page provides general information on the hardware and firmware system, including version numbers. No items can be changed on this page but they can be copied for information purposes when troubleshooting.

## 8 Advanced Mode

### 8.1 Advanced Mode menu tree

The advanced mode configuration menu contains all camera parameters that can be configured.

Advanced Mode	
>	General
>	Web Interface
>	Camera
>	Recording
>	Alarm
>	Interfaces
>	Network Access
>	Service

To view the current settings:

1. Click the **Advanced Mode** menu to expand it. The associated menu sub-headings are displayed.
  2. Click a menu sub-heading to expand it.
  3. Click a sub-menu. The corresponding page is opened.
- The settings are changed by entering new values or by selecting a pre-defined value in a list field.

#### Saving changes

After making changes in a window, click **Set** to send the new settings to the device and save them there.

Clicking **Set** saves only the settings in the current window.

Changes in any other windows are ignored.

Click **SETTINGS** in the applications title bar to close the window without saving the changes made.

**Note:**

Device time settings are lost after 1 hour without power if no central time server is selected.

**Note:**

When entering names do not use any special characters, for example **&**. Special characters are not supported by the internal recording management system.

## 8.2 General

General	
>	Identification
>	Password
>	Date/Time
>	Display Stamping

### 8.2.1 Identification

#### Camera ID

Each device should be assigned a unique identifier that can be entered here as an additional means of identification.

#### Camera name

Assign a name to assist in identification. This name simplifies the management of multiple devices in more extensive systems. The name is used for remote identification, for example, in the event of an alarm. Enter a name that makes it as easy as possible to identify the location unambiguously.

#### Initiator extension

Add text to an initiator name to make identification easier in large iSCSI systems. This text is added to the initiator name, separated from it by a full stop (period).

### 8.2.2 Password

A password prevents unauthorized access to the device. The device recognizes three authorization levels: **service**, **user**, and **live**.

- **service** is the highest authorization level. Entering the correct password gives access to all the functions of the camera and allows all configuration settings to be changed.
- **user** is the middle authorization level. This user can operate the device, play back recordings, and also control a camera but cannot change the configuration.



- **live** is the lowest authorization level. It can only be used to view the live video image and switch between the different live image displays.

Use the various authorization levels to limit access. Proper password protection is only guaranteed if all higher authorization levels are also protected with a password. For example, if a **live** password is assigned, a **service** and a **user** password should also be set. When assigning passwords, always start from the highest authorization level, **service**, and use different passwords.

### **Password**

Define and change a separate password for each level while logged in as **service** or if the device is not protected by a password. Enter the password (19 characters maximum) for the selected level.

### **Confirm password**

Re-enter the new password to ensure that there are no typing mistakes.

The new password is only saved after clicking **Set**. Therefore, click **Set** immediately after entering and confirming the password, even if assigning a password at another level.

## 8.2.3 Date/Time

### Date format

Select the required date format.

### Device date / Device time

If there are multiple devices operating in your system or network, it is important to synchronize their internal clocks. For example, it is only possible to identify and correctly evaluate simultaneous recordings when all devices are operating on the same time.

1. Enter the current date. Since the device time is controlled by the internal clock, it is not necessary to enter the day of the week – it is added automatically.
2. Enter the current time or click **Sync to PC** to apply the system time from your computer to the device.

### Note:

It is important to ensure that the date/time is correct for recording. An incorrect date/time setting could prevent correct recording.

### Device time zone

Select the time zone in which the system is located.

### Daylight saving time

The internal clock can switch automatically between normal and daylight saving time (DST). The device already contains the data for DST switch-overs up to the year 2015. Use this data or create alternative time saving data, if required.

First, check the time zone setting. If it is not correct, select the appropriate time zone for the system:

1. Click **Set**.
2. Click **Details**. A new window opens showing an empty table.
3. Click **Generate** to fill the table with the preset values from the camera.
4. Select the region or the city which is closest to the system's location from the list box below the table.

5. Click one of the entries in the table to make changes. The entry is highlighted.
6. Click **Delete** to remove the entry from the table.
7. Choose other values from the list boxes under the table, to change the selected entry. Changes are immediate.
8. If there are empty lines at the bottom of the table, for example after deletions, add new data by marking the row and selecting values from the list boxes.
9. When finished, click **OK** to save and activate the table.

**Note:**

If a table is not created, there is no automatic switching. When editing the table, note that values occur in linked pairs (DST start and end dates).

**Time server IP address**

The camera can receive the time signal from a time server using various time server protocols and then use it to set the internal clock. The device polls the time signal automatically once every minute. Enter the IP address of a time server.

**Time server type**

Select the protocol that is supported by the selected time server. It is recommended to select the **SNTP server** protocol. This protocol provides high accuracy and is required for special applications and future function extensions. Select **Time server** if the server uses the RFC 868 protocol.

## 8.2.4 Display Stamping

Various overlays or stamps in the video image provide important supplementary information. These overlays can be enabled individually and arranged on the image in a clear manner.

**Camera name stamping**

This field sets the position of the camera name overlay. It can be displayed at the **Top**, at the **Bottom**, at a position of choice using the **Custom** option, or it can be set to **Off** for no overlay information.

If the **Custom** option is selected, enter values in the X and Y position fields.

### **Time stamping**

This field sets the position of the time and date overlay. It can be displayed at the **Top**, at the **Bottom**, at a position of choice using the **Custom** option, or it can be set to **Off** for no overlay information.

If the **Custom** option is selected, enter values in the X and Y position fields.

### **Display milliseconds**

Select this option to display milliseconds for Time stamping. This information can be useful for recorded video images; however, it does increase the processor's computing time. Select **Off** if displaying milliseconds is not needed.

### **Alarm mode stamping**

Select **On** for a text message to be overlaid in the event of an alarm. It can be displayed at a position of choice using the **Custom** option, or it can be set to **Off** for no overlay information.

If the **Custom** option is selected, enter values in the X and Y position fields.

### **Alarm message**

Enter the message to be displayed on the image in the event of an alarm. The maximum text length is 31 characters.

### **Video watermarking**

Select **On** for the transmitted video images to be watermarked. After activation, all images are marked with an icon. The icon indicates if the sequence (live or saved) has been manipulated.

## 8.3 Web Interface

Web Interface	
>	Appearance
>	LIVEPAGE Functions
>	Logging

### 8.3.1 Appearance

Adapt the appearance of the web interface and change the website language to meet your requirements. If necessary, replace the company's logo (top right) and the device name (top left) in the top part of the window with individual graphics. Either GIF or JPEG images can be used. The file paths must correspond to the access mode (for example, C:\Images\Logo.gif for access to local files or http://www.myhostname.com/images/logo.gif for access via the Internet/Intranet). For access via the Internet/Intranet, there must be a connection in order to display the image. The image files are not stored on the camera.

To restore the original graphics, delete the entries in the Company logo and Device logo fields.

#### Website language

Select the language for the user interface here.

#### Company logo

Enter the path to a suitable image in this field. The image can be stored on a local computer, a local network, or at an Internet address.

#### Device logo

Enter the path for a suitable image for the device logo in this field. The image can be stored on a local computer, a local network, or at an Internet address.

#### JPEG interval

Specify the interval at which the individual images should be generated for the M-JPEG image on the **Livepage**.

### 8.3.2 LIVEPAGE Functions

In this window, adapt the **Livepage** functions to meet your requirements. Choose from a variety of different options for displaying information and controls.

1. Mark the check boxes for the functions to be displayed on the **Livepage**. The selected elements are checked.
2. Check the **Livepage** to see how the desired items are available.

#### Show alarm inputs

The alarm inputs are displayed next to the video image as icons along with their assigned names. If an alarm is active, the corresponding icon changes color.

**Note:** Alarm 1 is reserved for Automatic Mode Switching. Refer to *Section 3.9 Automatic Mode Switching, page 30*.

#### Show relay outputs

The relay output is shown next to the video image as an icon along with its assigned name. If a relay is switched, the icon changes color.

#### Show VCA trajectories

The trajectories (motion lines of objects) from the video content analysis are displayed in the live video image if a corresponding analysis type is activated.

#### Show VCA metadata

When video content analysis (VCA) is activated, additional information is displayed in the live video stream. For example, in **Motion+** mode, the sensor areas for motion detection are marked.

#### Show event log

The event messages are displayed with the date and time in a field next to the video image.

#### Show system log

The system messages are displayed with the date and time in a field next to the video image and provide information about the establishment and termination of connections, etc.

**Allow snapshots**

Specify whether the icon for saving individual images should be displayed below the live image. Individual images can only be saved if this icon is visible.

**Allow local recording**

Specify whether the icon for saving video sequences on the local memory should be displayed below the live image. Video sequences can only be saved if this icon is visible.

**Path for JPEG and video files**

Enter the path for the storage location of individual images and video sequences saved from the **Livepage**. If necessary, click **Browse** to find a suitable folder.

### 8.3.3 Logging

**Save event log**

Select this option to save event messages in a text file on the local computer. This file can be viewed, edited, and printed with any text editor or standard office software.

**File for event log**

Enter the path for saving the event log here. If necessary, click **Browse** to find a suitable folder.

**Save system log**

Select this option to save system messages in a text file on the local computer. This file can be viewed, edited, and printed with any text editor or standard office software.

**File for system log**

Enter the path for saving the system log here. If necessary, click **Browse** to find a suitable folder.

## 8.4 Camera

Camera		
>	Picture Settings	
	>	Mode
	>	ALC
	>	Shutter/AGC
	>	Enhance
>	Encoder Profile	
>	Encoder Streams	
>	Privacy Masks	
>	Audio	
>	Installer Menu	

### 8.4.1 Mode

#### Pre-defined modes

The camera has six operating modes that can be selected in the **Mode** menu. Normal and FullSun modes have been pre-programmed to work with Automatic Mode Switching. Any one of the six modes can be selected as the "switch-to" mode in Automatic Mode Switching, refer to *Section 8.7.1 Alarm input, page 103*.

The modes are defined as follows:

1. **Normal** (Mode 1)  
Default installation mode to provide stable pictures over a 24-hour period. These settings are optimized for out-of-the-box installation.
2. **FullSun** (Mode 2)  
Reduced gain to properly expose the image during bright conditions.
3. **Mode 3**  
Default settings.
4. **Mode 4**  
Default settings.



5. **Mode 5**  
Default settings.
6. **Mode 6**  
Default settings.

These modes can be adjusted according to personal preferences. The Mode menu allows selection and set-up of picture enhancement functions for each mode. If the changes are not satisfactory, restore the default values for the mode.

### **Mode ID**

Enter a name for the selected mode.

### **Copy mode to**

Select a mode to copy the current mode to.

### **Restore Mode Defaults**

Click to restore the factory defaults. A confirmation screen appears. Allow 5 seconds for the camera to optimize the picture after a mode reset.

---

## 8.4.2 ALC

---

**NOTICE!**

The camera is pre-configured to operate in a fixed exposure mode. ALC, Peak average, and Speed has no impact.

---

**ALC level**

Adjust the video output level (-15 to 0 to +15).

Select the range within which the ALC will operate. A positive value is more useful for low-light conditions; a negative value is more useful for very bright conditions.

Some ALC adjustment may improve scene content when Smart/BLC is enabled.

**Peak average**

Adjust the balance between peak and average video control (-15 to 0 to +15). At -15 the camera controls the average video level, at +15 the camera controls the peak video level.

A negative value gives more priority to average light levels; a positive value gives more priority to peak light levels. Video iris lens: choose an average level for best results (peak settings may cause oscillations).

**Speed**

Adjust the speed of the video level control loop (Slow, Medium, or Fast). For most scenes it should remain at the default value.

## 8.4.3 Shutter/AGC

### Shutter



#### NOTICE!

Shutter and gain settings should be changed only by an experienced user. Changing the shutter speed affects maximum capture speed of the vehicle and ambient rejection ability. Shutter is fixed at 1/5000 from the factory for maximum performance.

- **Fixed** – allows a user-defined shutter speed (recommended setting).
- **AES** (auto-shutter) – the camera automatically sets the optimum shutter speed. The camera tries to maintain the selected default shutter speed as long as the light level of the scene permits.

#### Default shutter / Fixed shutter

Select the shutter speed (1/60 [1/50], 1/100, 1/120, 1/250, 1/500, 1/1000, 1/2000, 1/5000, 1/10K) for the default (AES) or fixed value.

In AES mode, the camera tries to maintain the selected shutter speed as long as the light level of the scene is high enough.

In Fixed mode, select the shutter speed.

If the optimal license plate image cannot be obtained by adjusting gain, increase the shutter speed to 1/10000 to darken the image, decrease the shutter speed to 1/2000 or more to brighten the image but reduce the maximum capture speed and ambient rejection ability.

#### Actual shutter

Displays the actual shutter value from the camera to help compare lighting levels and optimum shutter speed during set-up.

#### Sensitivity up

Selects the factor by which the sensitivity of the camera is increased (OFF, 2x, 3x, etc. to a maximum of 10x).

**Note:**

If Sensitivity up is active, some noise or spots may appear in the picture. This is normal camera behavior. Sensitivity up may cause some motion blur on moving objects.

**Gain**

**AGC** - the camera automatically sets the gain to the lowest possible value needed to maintain a good picture.

**Fixed** - sets Fixed gain value. For best performance, Fixed gain is recommended.

**Maximum gain / Fixed gain**

Selects the maximum value the gain can have during AGC operation (0 to 30 dB).

Selects the gain setting for Fixed gain operation (0 is no gain). Increase gain if license plate image appears dark and decrease gain if plate appears bright.

**Actual gain**

Displays the actual AGC value from the camera to help compare gain level with lighting levels and picture performance.

## 8.4.4 Enhance

**NOTICE!**

The Enhance settings are factory set to work optimally for capturing license plates, only an experienced user should change these settings. Use discretion when changing settings.

**Dynamic engine**

- **Off:** turns off all automatic scene detail and enhancements (recommended setting).
- **XF Dynamic:** extra internal processing is enabled for low-light applications (traffic, etc.).
- **2X Dynamic:** 2X Dynamic adds dual sensor exposure to the XF Dynamic features. In harsh lighting conditions pixels from each exposure are mixed to give a more detailed image (use 2X Dynamic when SmartBLC is not required).
- **Smart BLC:** BLC window and weighting factor are automatically defined. Camera dynamically adjusts these

for changing light conditions. Includes all the benefits of 2X Dynamic.

**NOTICE!**

XF-DYN, 2X-DYN, or Smart BLC is not suitable for high shutter speed license plate capture.

---

**Auto black**

Auto black ON automatically increases the visibility of details even when scene contrast is less than full-range due to mist, fog, etc.

**Sharpness level**

Adjusts the sharpness of the picture. A low (negative) value decreases noise but makes the picture less sharp. Increasing sharpness brings out more detail, but increases noise. Extra sharpness can enhance the details of license plates.

**Dynamic noise reduction**

In AUTO mode the camera automatically reduces the noise in the picture. This noise may cause some motion blur on exceptionally fast moving objects immediately in front of the camera. This issue can be corrected by selecting Off.

**Peak white invert**

Use Peak white invert to reduce glare from the CRT/LCD display. Use this setting with discretion.

## 8.4.5 Encoder Profile

Adapt the video data transmission to the operating environment (network structure, bandwidth, data structures). The camera simultaneously generates two H.264 video streams and an M-JPEG stream. Select the compression settings of these streams individually, for example, one setting for transmissions to the Internet and one for LAN connections. The settings are made individually for each stream.

### Define profiles

Eight definable profiles are available. The pre-programmed profiles give priority to different parameters.

- **High resolution 1**  
High resolution (4CIF/D1) for high bandwidth connections
- **High resolution 2**  
High resolution (4CIF/D1) with lower data rate
- **Low bandwidth**  
High resolution (4CIF/D1) for low bandwidth connections
- **DSL**  
High resolution (4CIF/D1) for DSL connections at 500 kbps maximum
- **ISDN (2B)**  
CIF resolution for ISDN connections at 100 kbps maximum
- **ISDN (1B)**  
CIF resolution for ISDN connections at 50 kbps maximum
- **MODEM**  
CIF resolution for analog modem connections at 22 kbps maximum
- **GSM**  
CIF resolution for GSM connections

## Profile Configuration

Profiles can be configured for use with the H.264 settings of encoder streams. Select a profile by clicking the appropriate tab. Change the name of a profile and individual parameter values within a profile.

Profiles are rather complex. They include a number of parameters that interact with one another, so it is generally best to use the default profiles. Only change a profile if completely familiar with all the configuration options. The parameters as a group constitute a profile and are dependent on one another. If a setting outside the permitted range for a parameter is entered, the nearest valid value is substituted when the settings are saved.

### Profile name

Enter a new name for the profile here. (Do not use any special characters, for example &.)

### Target bit rate

To optimize utilization of the bandwidth in the network, limit the bit rate for the camera. The target bit rate should be set according to the desired picture quality for typical scenes with no excessive motion.

For complex images or frequent changes of image content due to frequent movements, this limit can temporarily be exceeded up to the value entered in the **Maximum bit rate** field.

### Maximum bit rate

This maximum bit rate is not exceeded under any circumstances. Depending on the video quality settings for the I-frames and P-frames, this can result in individual images being skipped.

The value entered here must be at least 10% higher than the value entered in the **Target bit rate** field. If the value entered here is too low, it is automatically adjusted.

### Encoding interval

The **Encoding interval** slider determines the interval at which images are encoded and transmitted. This can be particularly

advantageous with low bandwidths. The image rate in ips (images per second) is displayed next to the slider.

### Video resolution

Select the desired resolution for the video image. The following resolutions are available:

- **CIF**  
352 × 288/240 pixels
- **4CIF/D1**  
704 × 576/480 pixels

### Expert Settings

If necessary, use the expert settings to adapt the I-frame quality and the P-frame quality to specific requirements. The setting is based on the H.264 quantization parameter (QP).

### GOP structure

Select the structure you require for the Group of Pictures. Depending on whether you place greater priority on having the lowest possible delay (IP frames only) or using as little bandwidth possible, you choose IP, IBP, or IBBP.

### I-frame distance

Use the slider to set the distance between I-frames to **Auto** or to between **3** and **60**. An entry of **3** means that every third image is an I-frame. The lower the number, the more I-frames are generated.

### I-frame quality

This setting adjusts the image quality of the I-frames. The basic setting **Auto** automatically adjusts the quality to the settings for the P-frame video quality. Alternatively, use the slider to set a value between 9 and 51. The value **9** represents the best image quality with, if necessary, a lower frame refresh rate depending on the settings for the maximum data rate. A value of **51** results in a very high refresh rate and lower image quality.

### P-frame quality

This setting adjusts the maximum image quality of the P-frames. The basic setting **Auto** automatically adjusts to the optimum



combination of movement and image definition (focus). Alternatively, use the slider to set a value between 9 and 51. The value **9** represents the best image quality with, if necessary, a lower frame refresh rate depending on the settings for the maximum data rate. A value of **51** results in a very high refresh rate and lower image quality.

**Default**

Click **Default** to return the profile to the factory default values.

## 8.4.6 Encoder Streams

### Select H.264 Settings

- Select the codec algorithm for streams 1 and 2. The following algorithms are available
  - **H.264 BP+ bit-rate-limited**
  - **H.264 MP SD**
- Select the default profile for streams 1 and 2 from the eight profiles that have been defined.

The algorithm properties have the following settings:

	<b>H.264 BP+ bit-rate-limited</b>	<b>H.264 MP SD</b>
CABAC	off	on
CAVLC	on	off
GOP structure	IP	IP
I-frame distance	15	30
Deblocking filter	on	on
Bit rate	limited to 1.2 Mbps	
Recommended for	Hardware decoders, DVR 700 Series	Software decoders, PTZ and rapid image movements

### Preview >>

Previews of streams 1 and 2 can be shown.

- Click **Preview >>** to display a preview of the video for streams 1 and 2. The current profile is shown above the preview.
- Click **1:1 Live View** below a preview to open a viewing window for that stream. Various additional items of information are shown across the top of the window.
- Click **Preview <<** to close the preview displays.

**Note:**

Deactivate the display of the video images if the performance of the computer is adversely affected by the decoding of the data stream.

**JPEG stream**

Set the parameters for the M-JPEG stream.

- Select the **Max. frame rate** in images per second (IPS).
- The **Picture quality** slider allows adjustment of the M-JPEG image quality from **Low** to **High**.

**Note:**

The JPEG resolution follows the highest resolution setting either in stream 1 or stream 2. For example, if stream 1 is **4CIF/D1** and stream 2 is CIF, the JPEG resolution will be **4CIF/D1**.

## 8.4.7 Privacy Masks

Four privacy mask areas can be defined. The activated masked areas are filled with the selected pattern in live view.

1. Select the pattern to be used for all masks (Gray).
2. Check the box of the mask to activate.
3. Use the mouse to define the area for each of the masks.

## 8.4.8 Audio

**NOTICE!**

Provisions for audio connectivity are not available in the DINION capture 5000 IP.

Select the microphone or line-in connector as the **Audio input** or switch it off. Adjust the **Input volume** with the slider.

Switch the **Audio output On** or **Off**.

Select **G.711** or **L16** as the audio **Recording format**. The default value is **G.711**. Select **L16** if you want better audio quality with higher sampling rates. This requires approximately eight times the G.711 bandwidth.

**Note:**

The audio signals are sent in a separate data stream parallel to the video data, and so increase the network load. The audio data requires an additional bandwidth of approximately 80 kbps for each connection. If you do not want any audio data to be transmitted, select **Off**.

## 8.4.9 Installer Menu

### Ticker bar

Switches a ticker bar on the live image on or off.

### Camera buttons

Disable the **Camera buttons** on the camera to prevent unauthorized change of the camera settings.

### Camera LED

Disable the **Camera LED** on the camera to switch it off.

### Show test pattern

Select **On** to show a video test signal.

### Pattern

Select the desired test pattern to help with installation and fault-finding.

### Restore all defaults

Click **Restore all defaults** to restore the factory defaults for the camera. A confirmation screen appears. Allow 5 seconds for the camera to optimize the picture after a mode reset.

### Note:

The default IP address is restored. Connect to the camera again using this address.

## 8.5 Recording

Recording	
>	Storage Management
>	Recording Profiles
>	Retention Time
>	Recording Scheduler
>	Recording Status

Record the images from the camera to local storage media or to an appropriately configured iSCSI system. For long-term authoritative images use an appropriately sized iSCSI system.

MicroSDHC cards are the ideal solution for shorter storage times and temporary recordings, for example, local buffering in the event of network interruptions.

Continuous Recording Hours				
Profiles	MicroSDHC card capacity			
	4 GB	8 GB	16 GB	32 GB
VGA resolution, 30F/S, H.264 MP, T:2000Kb, M:4000Kb	4 h	8 h	16 h	32 h
Low bandwidth VGA, 30F/S, H.264 MP, T:700Kb, M:1500Kb	11 h	22 h	44 h	88 h
DSL (VGA, 30F/S, H.264 MP, T:400Kb, M:500Kb)	19 h	38 h	76 h	152h
ISDN (2B) (VGA, 30F/S, H.264 MP, T:80Kb, M:100Kb)	78 h	156 h	312 h	624 h

A Video Recording Manager (**VRM**) can control all recording when accessing an iSCSI system. The VRM is an external program for configuring recording tasks for video servers. For further information, contact your local customer service at Bosch Security Systems.

## 8.5.1 Storage Management

### Device manager

If the **VRM** option is activated, the VRM Video Recording Manager manages all recording and no further settings can be configured here.

### Note:

Activating or deactivating VRM causes the current settings to be lost; they can only be restored through reconfiguration.

### Recording media

Select the required recording media to activate them and then configure the recording parameters.

### iSCSI Media

If an **iSCSI system** is selected as the storage medium, a connection to the desired iSCSI system is needed to set the configuration parameters.

The storage system selected must be available on the network and completely set up. Amongst other things, it must have an IP address and be divided into logical drives (LUN).

1. Enter the IP address of the required iSCSI destination in the **iSCSI IP address** field.
2. If the iSCSI destination is password protected, enter this into the **Password** field.
3. Click the **Read** button. The connection to the IP address is established. The **Storage overview** field displays the logical drives.

### Local Media

The supported local recording media is displayed in the storage overview field.

### Activating and Configuring Storage Media

The storage overview displays the available storage media. Select individual media or iSCSI drives and transfer these to the **Managed storage media** list. Activate the storage media in this list and configure them for storage.

**Note:**

Each storage medium can only be associated with one user. If a storage medium is already being used by another user, decouple the user and connect the drive to the camera. Before decoupling, make absolutely sure that the previous user no longer needs the storage medium.

1. In the **Recording media** section, click the **iSCSI Media** or **Local Media** tab to display the applicable storage media in the overview.
2. In the **Storage overview** section, double-click the required storage medium, an iSCSI LUN or one of the other available drives. The medium is then added to the **Managed storage media** list. Newly added media is indicated in the **Status** column by the status **Not active**.
3. Click **Set** to activate all media in the **Managed storage media** list. These are indicated in the **Status** column by the status **Online**.
4. Check the box in the **Rec. 1** or **Rec. 2** column to specify which data stream should be recorded on the storage media selected. **Rec. 1** stores stream 1, **Rec. 2** stores stream 2.
5. Check the boxes for the **Overwrite older recordings** option to specify which older recordings can be overwritten once the available memory capacity has been used. **Recording 1** corresponds to stream 1, **Recording 2** corresponds to stream 2.

**Note:**

If older recordings are not allowed to be overwritten when the available memory capacity has been used, the recording in question is stopped. Specify limitations for overwriting old recordings by configuring the retention time.

**Formatting Storage Media**

Delete all recordings on a storage medium at one time. Check the recordings before deleting and back up important sequences on the computer's hard drive.



1. Click a storage medium in the **Managed storage media** list to select it.
2. Click **Edit** below the list. A new window opens.
3. Click **Formatting** to delete all recordings in the storage medium.
4. Click **OK** to close the window.

### **Deactivating Storage Media**

Deactivate any storage medium from the **Managed storage media** list. It is then no longer used for recordings.

1. Click a storage medium in the **Managed storage media** list to select it.
2. Click **Remove** below the list. The storage medium is deactivated and removed from the list.

## 8.5.2 Recording Profiles

Define up to ten different recording profiles here, then assign these to individual days or times of day on the **Recording Scheduler** page. Modify the names of the recording profiles on the tabs in the **Recording Scheduler** page.

1. Click a tab to edit the corresponding profile.
2. If necessary, click **Default** to return all settings to their defaults.
3. Click **Copy Settings** to copy the currently visible settings to other profiles. A window opens to select the target profiles for the copied settings.
4. For each profile, click **Set** to save.

### Stream profile settings

Select the profile setting that is to be used for each data stream when recording. This selection is independent of the selection for live data stream transmission. (The properties of the profiles are defined on the **Encoder Profile** page.)

### Recording includes

Specify whether, in addition to video data, audio or metadata (for example alarms or VCA data) should also be recorded. Including metadata could make subsequent searches of recordings easier, but it requires additional memory capacity. Without metadata it is not possible to include video content analysis in recordings.

### Standard recording

Select the mode for standard recordings:

- **Continuous:** the recording proceeds continuously. If the maximum memory capacity is reached, older recordings will automatically be overwritten.
- **Pre-alarm:** recording takes place in the pre-alarm time, during the alarm, and during the post-alarm time only.
- **Off:** no automatic recording takes place.

In the **Stream** list box, select Stream 1, Stream 2 or I-frames only for standard recordings.

### Alarm recording

Select the **Pre-alarm time** from the list box.

Select the **Post-alarm time** from the list box.

Select the **Alarm stream** to use for alarm recording.

Check the **with encoding interval from profile:** box and select a predefined profile to set a specific encoding interval for alarm recording.

Check the **Export to FTP** box to send standard H.264 files to the FTP server whose address is displayed.

### Alarm triggers

Select the alarm type (**Alarm input/ Motion/Audio alarm / Video loss alarm**) that is to trigger a recording. Select the **Virtual alarm** sensors that are to trigger a recording, via RCP+ commands or alarm scripts, for example.

## 8.5.3 Retention Time

Specify the retention times for recordings. If the available memory capacity of a medium has been used, older recordings are only overwritten once the retention time entered here has expired.

Make sure that the retention time corresponds with the available memory capacity. A rule of thumb for the memory requirement is as follows: 1 GB per hour retention time with 4CIF for complete frame rate and high image quality.

Enter the required retention time in hours or days for each recording. **Recording 1** corresponds to Stream 1; **Recording 2** corresponds to Stream 2.

## 8.5.4 Recording Scheduler

The recording scheduler allows you to link the created recording profiles to the days and times at which the camera's images are to be recorded in the event of an alarm. Schedules can be defined for weekdays and for holidays.

### Weekdays

Assign as many time periods (in 15-minute intervals) as needed for any day of the week. Move the mouse cursor over the table – the time is displayed.

1. Click the profile to be assigned in the **Time periods** box.
2. Click a field in the table and, while holding down the left mouse button, drag the cursor across all of the fields to be assigned to the selected profile.
3. Use the right mouse button to deselect any of the intervals.
4. Click **Select All** to select all of the intervals to be assigned to the selected profile.
5. Click **Clear All** to deselect all of the intervals.
6. When finished, click **Set** to save the settings to the device.

### Holidays

Define holidays whose settings will override the settings for the normal weekly schedule.

1. Click the **Holidays** tab. Days that have already been defined are shown in the table.
2. Click **Add**. A new window opens.
3. Select the desired date from the calendar. Drag the mouse to select a range of dates. These are handled as a single entry in the table.
4. Click **OK** to accept the selection(s). The window closes.
5. Assign the defined holidays to the recording profile as described above.

Delete user-defined holidays at any time.

1. Click **Delete** in the **Holidays** tab. A new window opens.
2. Click the date to be deleted.
3. Click **OK**. The selection is removed from the table and the window is closed.
4. Repeat for any other dates to be deleted.

**Profile names**

To change the names of the recording profiles listed in the **Time periods** box:

1. Click a profile.
2. Click **Rename**.
3. Enter the new name and click **Rename** again.

**Activate recording**

After completing configuration, activate the recording schedule and start recording. Modify the configuration at any time.

1. Click **Start** to activate the recording schedule.
2. Click **Stop** to deactivate the recording schedule.  
Recordings that are currently running are interrupted.

**Recording status**

The graphic indicates the recording activity. An animated graphic is seen when recording is taking place.

**8.5.5 Recording Status**

Details of the recording status are displayed here for information. These settings cannot be changed.

## 8.6 Alarm

Alarm	
>	Alarm Connections
>	VCA
>	Audio Alarm
>	Alarm E-Mail
>	Alarm Task Editor

### NOTICE!



Alarm Input 1 is reserved for Automatic Mode Switching. Changes in the alarm settings may affect the operation of the Automatic Mode Switching. Modify settings with discretion.

### 8.6.1 Alarm Connections

Select the response of the camera when an alarm occurs. In the event of an alarm, the device can automatically connect to a pre-defined IP address. The device can contact up to ten IP addresses in the order listed until a connection is established.

#### Connect on alarm

Select **On** so that the camera automatically connects to a pre-defined IP address in the event of an alarm. Select **Follows input 1** so that the device maintains the connection for as long as an alarm exists.

#### Number of destination IP address

Specify the numbers of the IP addresses to be contacted in the event of an alarm. The device contacts the remote locations one after the other in the numbered sequence until a connection is made.

#### Destination IP address

For each number, enter the corresponding IP address for the desired remote station.

#### Destination password

If the remote station is password protected, enter the password here.

Only ten passwords can be defined here. Define a general password if more than ten connections are required, for example, when connections are initiated by a controlling system such as VIDOS or Bosch Video Management System. The camera connects to all remote stations protected by the same general password. To define a general password:

1. Select 10 in the **Number of destination IP address** list box.
2. Enter 0.0.0.0 in the **Destination IP address** field.
3. Enter the password in the **Destination password** field.
4. Set the user password of all the remote stations to be accessed using this password.

Setting destination 10 to the IP-address 0.0.0.0 overrides its function as the tenth address to try.

### Video transmission

If the device is operated behind a firewall, select **TCP (HTTP port)** as the transfer protocol. For use in a local network, select **UDP**.

Please note that in some circumstances, in the event of an alarm, a larger bandwidth must be available on the network for additional video images (if Multicast operation is not possible). To enable Multicast operation, select the **UDP** option for the **Video transmission** parameter here and on the **Network** page.

### Stream

Select a stream to be transmitted.

### Remote port

Select a browser port, depending on the network configuration. The ports for HTTPS connections are only available if the **On** option in **SSL encryption** is selected.

### Video output

If it is known which device is being used as the receiver, select the analog video output to which the signal should be switched. If the destination device is unknown, it is advisable to select the **First available** option. In this case, the image is placed on the first free video output. This is an output on which there is no

signal. The connected monitor only displays images when an alarm is triggered. If a particular video output is selected and a split image is set for this output on the receiver, select the decoder from **Decoder** in the receiver that is to be used to display the alarm image. Refer to the destination device documentation concerning image display options and available video outputs.

### **Decoder**

Select a decoder of the receiver to display the alarm image. The decoder selected has an impact on the position of the image in a split screen.

### **SSL encryption**

SSL encryption protects data used for establishing a connection, such as the password. By selecting **On**, only encrypted ports are available for the **Remote port** parameter. SSL encryption must be activated and configured on both sides of a connection. The appropriate certificates must also have been uploaded. Configure and activate encryption for media data (video, metadata) on the **Encryption** page.

### **Auto-connect**

Select **On** to automatically re-established a connection to one of the previously specified IP addresses after each reboot, connection breakdown, or network failure.

### **Audio**

Select **On** to transmit the audio stream with an alarm connection.



## 8.6.2 Video Content Analyses (VCA)

The camera has integrated VCA which can detect and analyze changes in the signal using image processing algorithms. Such changes can be due to movements in the camera's field of view. Select various VCA configurations and adapt these to your application, as required. The **Silent MOTION+** configuration is active by default. In this configuration, metadata is created to facilitate searches of recordings, however, no alarm is triggered.

1. Select a VCA configuration and make the required settings.
2. If necessary, click the **Default** button to return all settings to their default values.

### 8.6.3 VCA configuration- Profiles

Configure two profiles with different VCA configurations. Save profiles on your computer's hard drive and load saved profiles from there. This can be useful if testing a number of different configurations. Save a functioning configuration and test new settings. Use the saved configuration to restore the original settings at any time.

1. Select a VCA profile and enter the required settings.
2. If necessary, click **Default** to return all settings to default values.
3. Click the **Save...** to save the profile settings to another file. A new window opens in which to specify the file name and where to save it.
4. Click **Load...** to load a saved profile. A new window opens in which to select the profile file and specify where to save the file.

To rename a profile:

1. To rename the file, click the icon to the right of the list field and enter the new profile name in the field. (Do not use any special characters, for example &.)
2. Click the icon again. The new profile name is saved.

The current alarm status is displayed for information purposes.

#### **Aggregation time [s]**

Set an aggregation time of between 0 and 20 seconds. The aggregation time always starts when an alarm event occurs. It extends the alarm event by the value set. This prevents alarm events that occur in quick succession from triggering several alarms and successive events in a rapid sequence. No further alarm is triggered during the aggregation time.

The post-alarm time set for alarm recordings only starts once the aggregation time has expired.

### **Analysis type**

Select the required analysis algorithm. By default, only **Motion+** is available – this offers a motion detector and essential recognition of tampering.

Metadata is always created for a video content analysis, unless this was explicitly excluded. Depending on the analysis type selected and the relevant configuration, additional information overlays the video image in the preview window next to the parameter settings. With the **Motion+** analysis type, for example, the sensor fields in which motion is recorded are marked with rectangles.

### **Note:**

Additional analysis algorithms with comprehensive functions, such as IVMD and IVA, are available from Bosch Security Systems.

### **Motion detector**

Motion detection is available for the **Motion+** analysis type. For the detector to function, the following conditions must be met:

- Analysis must be activated.
- At least one sensor field must be activated.
- The individual parameters must be configured to suit the operating environment and the desired responses.
- The sensitivity must be set to a value greater than zero.

### **Note:**

Reflections of light (from glass surfaces, etc.), lights switching on and off, or changes in the light level caused by cloud movement on a sunny day can trigger unintended responses from the motion detector and generate false alarms. Run a series of tests at different times of the day and night to ensure that the video sensor is operating as intended. For indoor surveillance, ensure constant lighting of the areas during the day and at night.

### **Sensitivity**

Sensitivity is available for the **Motion+** analysis type. The basic sensitivity of the motion detector can be adjusted for the

environmental conditions to which the camera is subject. The sensor reacts to variations in the brightness of the video image. The darker the observation area, the higher the value that must be selected.

### **Minimum object size**

Specify the number of sensor fields that a moving object must cover to generate an alarm. This setting prevents objects that are too small from triggering an alarm. A minimum value of 4 is recommended. This value corresponds to four sensor fields.

### **Debounce time 1 s**

The debounce time prevents very brief alarm events from triggering individual alarms. If the **Debounce time 1 s** option is activated, an alarm event must last at least 1 second to trigger an alarm.

### **Selecting the area**

Select the areas of the image to be monitored by the motion detector. The video image is subdivided into square sensor fields. Activate or deactivate each of these fields individually. To exclude particular regions of the camera's field of view from monitoring due to continuous movement (by a tree in the wind, for example), the relevant fields can be deactivated.

1. Click **Select Area** to configure the sensor fields. A new window opens.
2. If necessary, click **Clear All** first to clear the current selection (fields marked red).
3. Left-click the fields to be activated. Activated fields are marked red.
4. If necessary, click **Select All** to select the entire video-frame for monitoring.
5. Right-click any fields to deactivate.
6. Click **OK** to save the configuration.
7. Click the close button (**X**) in the window title bar to close the window without saving the changes.

### **Tamper detection**

Detect tampering of cameras and video cables by means of various options. Run a series of tests at different times of the day and night to ensure that the video sensor is operating as intended.

**Sensitivity** and **Trigger delay [s]** can only be changed if **Reference check** is selected.

#### **Sensitivity**

The basic sensitivity of the tamper detection can be adjusted for the environmental conditions to which the camera is subject. The algorithm reacts to the differences between the reference image and the current video image. The darker the observation area, the higher the value that must be selected.

#### **Trigger delay [s]**

Set delayed alarm triggering here. The alarm is only triggered after a set time interval in seconds has elapsed and then only if the triggering condition still exists. If the original condition has been restored before this time interval elapses, the alarm is not triggered. This avoids false alarms triggered by short-term changes, for example, cleaning activities in the direct field of vision of the camera.

#### **Global change (slider)**

Set how large the global change in the video image must be for an alarm to be triggered. This setting is independent of the sensor fields selected under **Select Area**. Set a high value if fewer sensor fields need to change to trigger an alarm. With a low value, it is necessary for changes to occur simultaneously in a large number of sensor fields to trigger an alarm. This option allows detection, independently of motion alarms, manipulation of the orientation or location of a camera resulting from turning the camera mount bracket, for example.

#### **Global change**

Activate this function if the global change, as set with the Global change slide control, should trigger an alarm.

**Scene too bright**

Activate this function if tampering associated with exposure to extreme light (for instance, shining a flashlight directly on the objective) should trigger an alarm. The average brightness of the scene provides a basis for recognition.

**Scene too dark**

Activate this function if tampering associated with covering the objective (for instance, by spraying paint on it) should trigger an alarm. The average brightness of the scene provides a basis for recognition.

**Scene too noisy**

Activate this function if tampering associated with EMC interference (noisy scene as the result of a strong interference signal in the vicinity of the video lines) should trigger an alarm.

**Reference check**

Save a reference image that can be continuously compared with the current video image. If the current video image in the marked areas differs from the reference image, an alarm is triggered. This detects tampering that would otherwise not be detected, for example, if the camera is turned.

1. Click **Reference** to save the currently visible video- image as a reference.
2. Click **Select Area** and select the areas in the reference image that are to be monitored.
3. Check the box **Reference check** to activate the on-going check. The stored reference image is displayed in black and white below the current video image, and the selected areas are marked in yellow.
4. Select the **Disappearing edges** or **Appearing edges** option to specify the reference check once again.

**Disappearing edges**

The area selected in the reference image should contain a prominent structure. If this structure is concealed or moved, the reference check triggers an alarm. If the selected area is too homogenous, so that concealing and moving the structure

would not trigger an alarm, then an alarm is triggered immediately to indicate the inadequate reference image.

### **Appearing edges**

Select this option if the selected area of the reference image includes a largely homogenous surface. If structures appear in this area, then an alarm is triggered.

### **Selecting the area**

Select the image areas in the reference image that are to be monitored. The video image is subdivided into square fields. Activate or deactivate each of these fields individually. Select only those areas for reference monitoring in which no movement takes place and that are always evenly lit, as false alarms could otherwise be triggered.

1. Click **Select Area** to configure the sensor fields. A new window opens.
2. If necessary, click **Clear All** first to clear the current selection (fields marked yellow).
3. Left-click the fields to be activated. Activated fields are marked yellow.
4. If necessary, click **Select All** to select the entire video-frame for monitoring.
5. Right-click any fields to deactivate.
6. Click **OK** to save the configuration.
7. Click the close button (**X**) in the window title bar to close the window without saving the changes.

## 8.6.4 VCA configuration - Scheduled

A scheduled configuration allows you to link a VCA profile with the days and times at which the video content analysis is to be active. Schedules can be defined for weekdays and for holidays.

### Weekdays

Link any number of 15-minute intervals with the VCA profiles for each day of the week. Moving the mouse cursor over the table displays the time below it. This aids orientation.

1. Click the profile to link in the **Time periods** field.
2. Click in a field in the table, hold down the mouse button and drag the cursor over all the periods to be assigned to the selected profile.
3. Use the right mouse button to deselect any of the intervals.
4. Click **Select All** to link all time intervals to the selected profile.
5. Click **Clear All** to deselect all of the intervals.
6. When finished, click **Set** to save the settings in the device.

### Holidays

Define holidays on which a profile should be active that are different to the standard weekly schedule.

1. Click the **Holidays** tab. Any days that have already been selected are shown in the table.
2. Click **Add**. A new window opens.
3. Select the desired date from the calendar. Select several consecutive calendar days by holding down the mouse button. These will later be displayed as a single entry in the table.
4. Click **OK** to accept the selection. The window closes.
5. Assign the individual holidays to the VCA profiles, as described above.

### Deleting Holidays

Delete defined holidays at any time:

1. Click **Delete**. A new window opens.
2. Click the date to delete.



3. Click **OK**. The item is deleted from the table and the window closes.
4. The process must be repeated for deleting additional days.

## 8.6.5 VCA configuration - Event triggered

This configuration allows you to stipulate that the video content analysis is only to be activated when triggered by an event. As long as no trigger is activated, the **Silent MOTION+** configuration in which metadata is created is active; this metadata facilitates searches of recordings, but does not trigger an alarm.

### Trigger

Select a physical alarm or a virtual alarm as a trigger. A virtual alarm is created using software, with RCP+ commands or alarm scripts, for example.

### Trigger active

Select the VCA configuration here that is to be enabled via an active trigger. A green check mark to the right of the list field indicates that the trigger is active.

### Trigger inactive

Select the VCA configuration here that is to be activated if the trigger is not active. A green check mark to the right of the list field indicates that the trigger is inactive.

### Delay [s]

Select the delay period for the reaction of the video content analysis to trigger signals. The alarm is only triggered after a set time interval in seconds has elapsed and then only if the triggering condition still exists. If the original condition has been restored before this time interval elapses, the alarm is not triggered. A delay period may be useful in avoiding false alarms or frequent triggering. During the delay period, the **Silent MOTION+** configuration is always enabled.

## 8.6.6 Audio Alarm



### NOTICE!

Provisions for audio connectivity are not available in the DINION capture 5000 IP.

Create alarms based on audio signals. Configure signal strengths and frequency ranges so that false alarms, for example, machine noise or background noise, are avoided. Set up normal audio transmission before configuring the audio alarm.

### Audio alarm

Select **On** for the device to generate audio alarms.

### Name

The name makes it easier to identify the alarm in extensive video monitoring systems, for example with the VIDOS and Bosch Video Management System programs. Enter a unique and clear name here. (Do not use any special characters, for example &.)

### Signal Ranges

Exclude particular signal ranges in order to avoid false alarms. For this reason the total signal is divided into 13 tonal ranges (mel scale). Check or uncheck the boxes below the graphic to include or exclude individual ranges.

### Threshold

Set up the threshold on the basis of the signal visible in the graphic. Set the threshold using the slide control or, alternatively, move the white line directly in the graphic using the mouse.

### Sensitivity

Use this setting to adapt the sensitivity to the sound environment and effectively suppress individual signal peaks. A high value represents a high level of sensitivity.

## 8.6.7 Alarm E-Mail

As an alternative to automatic connecting, alarm states can also be documented by e-mail. This makes it possible to notify a recipient who does not have a video receiver. In this case, the camera automatically sends an e-mail to a user-defined e-mail address.

### Send alarm e-mail

Select **On** for the device to automatically send an alarm e-mail in the event of an alarm.

### Mail server IP address

Enter the IP address of a mail server that operates on the SMTP standard (Simple Mail Transfer Protocol). Outgoing e-mails are sent to the mail server via the address entered. Otherwise, leave the box blank (0.0.0.0).

### SMTP user name

Enter a registered user name for the chosen mail server.

### SMTP password

Enter the required password for the registered user name.

### Format

Select the data format of the alarm message.

- **Standard (with JPEG):** e-mail with JPEG image file attachment.
- **SMS:** e-mail in SMS format to an e-mail-to-SMS gateway (for example, to send an alarm by cellphone) without an image attachment.

When a cellphone is used as the receiver, make sure to activate the e-mail or SMS function, depending on the format, so that these messages can be received. Obtain information on operating your cellphone from your cellphone provider.

### Attach JPEG from camera

Check the box to specify that JPEG images are sent from the camera.

**Destination address**

Enter the e-mail address for alarm e-mails here. The maximum address length is 49 characters.

**Sender name**

Enter a unique name for the e-mail sender, for example, the location of the device. This makes it easier to identify the origin of the e-mail.

**Test e-mail**

Click **Send Now** to test the e-mail function. An alarm e-mail is immediately created and sent.

## 8.6.8 Alarm Task Editor

Editing scripts on this page overwrites all settings and entries on the other alarm pages. This procedure cannot be reversed. To edit this page, you should have programming knowledge and be familiar with the information in the **Alarm Task Script Language** document and the English language. The document can be found on the product DVD supplied.

As an alternative to the alarm settings on the various alarm pages, enter the desired alarm functions in script form here. This will overwrite all settings and entries on the other alarm pages.

1. Click **Examples** under the **Alarm Task Editor** field to see some script examples. A new window opens.
2. Enter new scripts in the **Alarm Task Editor** field or change existing scripts in line with your requirements.
3. When finished, click **Set** to transmit the scripts to the device. If the transfer was successful, the message **Script successfully parsed.** is displayed over the text field. If it was not successful, an error message is displayed with further information.

## 8.7 Interfaces

### 8.7.1 Alarm input

Configure the alarm triggers for the camera.

Select **N.C.** (Normally Closed) if the alarm is to be triggered by closing the contact.

Select **N.O.** (Normally Open) if the alarm is to be triggered by opening the contact.

Select **None** to disable the input.

**Note:** Input 1 is reserved for Automatic Mode Switching.

#### Name

Enter a name for the alarm input. This name can be displayed below the icon for the alarm input on the **LIVEPAGE**. (Do not use any special characters, for example &.)

#### Action

Select the camera mode to switch to when alarm input 1 is triggered.

#### Note:

See *Section 8.6.8 Alarm Task Editor, page 102*, for information on alarm actions based on alarm inputs.

### 8.7.2 Relay

Configure the switching behavior of the relay output.

Select different events that automatically activate an output. For example, turn on a floodlight by triggering a motion alarm and then turn the light off again when the alarm has stopped.

#### Idle state

Select **Open** for the relay to operate as an N.O. contact, or select **Closed** if the relay is to operate as an N.C. contact.

#### Select

Select **External device** or **Motion+/IVA** to trigger the relay.

#### Relay name

The relay can be assigned a name here. The name is shown on the button next to **Trigger relay**. The **LIVEPAGE** can also be

configured to display the name next to the relay icon. (Do not use any special characters, for example &.)

**Trigger relay**

Click the button to switch the relay manually (for example, for testing purposes or to operate a door opener).



## 8.8 Network

Network	
>	Network Access
>	Advanced
>	Multicast
>	FTP Posting
>	Encryption

### 8.8.1 Network Access

The settings on this page are used to integrate the device into a network. Some changes only take effect after a reboot. In this case **Set** changes to **Set and Reboot**.

1. Make the desired changes.
2. Click **Set and Reboot**.

The device is rebooted and the changed settings are activated. If the IP address, subnet mask, or gateway address is changed, then the device is only available under the new addresses after the reboot.

#### Automatic IP assignment

If a DHCP server is employed in the network for the dynamic assignment of IP addresses, activate acceptance of IP addresses automatically assigned to the device. Certain applications (VIDOS, Bosch Video Management System, Archive Player, Configuration Manager) use the IP address for the unique assignment of the device. If using these applications, the DHCP server must support the fixed assignment between IP address and MAC address, and must be appropriately set up so that, once an IP address is assigned, it is retained each time the system is rebooted.

#### IP address

Enter the desired IP address for the camera. The IP address must be valid for the network.

**Subnet mask**

Enter the appropriate subnet mask for the set IP address.

**Gateway address**

For the device to establish a connection to a remote location in a different subnet, enter the IP address of the gateway here. Otherwise, this field can remain empty (0.0.0.0).

**DNS server address**

A device is easier to access if it is listed on a DNS server. For example, to establish a connection, it is sufficient to enter the name given to the device on the DNS server as a URL in the browser. Enter the DNS server's IP address.

**Details >>****Video transmission**

If the device is used behind a firewall, TCP (Port 80) should be selected as the transmission protocol. For use in a local network, choose UDP.

Multicast operation is only possible with the UDP protocol. The TCP protocol does not support multicast connections. The MTU value in UDP mode is 1514 bytes.

**HTTP browser port**

Select a different HTTP browser port from the list if required. The default HTTP port is 80. To limit connection to HTTPS, deactivate the HTTP port. To do this, activate the **Off** option.

**HTTPS browser port**

To limit browser access to encrypted connections, choose an HTTPS port from the list. The standard HTTPS port is 443. Select the **Off** option to deactivate HTTPS ports and limit connections to unencrypted ports.

The camera uses the TLS 1.0 protocol. Ensure that the browser has been configured to support this protocol. Also ensure that Java application support is activated (in the Java Plug-in Control Panel of the Windows Control Panel).

To limit connections to SSL encryption, set the **Off** option in the HTTP browser port, the RCP+ port, and Telnet support. This

deactivates all unencrypted connections allowing connections on the HTTPS port only.

Configure and activate encryption for media data (video, audio, metadata) on the **Encryption** page.

### **RCP+ port 1756**

Activating RCP+ port 1756 allows unencrypted connections on this port. To allow only encrypted connections, set the **Off** option to deactivate the port.

### **Telnet support**

Activating Telnet support allows unencrypted connections on this port. To allow only encrypted connections, set the **Off** option to deactivate telnet support, making telnet connections impossible.

### **Interface mode ETH**

If necessary, select the Ethernet link type for interface **ETH**. Depending on the device connected, it may be necessary to select a special operation type.

### **Network MSS [Byte]**

Set the maximum segment size for the IP packet's user data here. This gives the option to adjust the size of the data packets to the network environment and to optimize data transmission. Please comply with the MTU value of 1,514 bytes in UDP mode.

### **iSCSI MSS [Byte]**

Specify a higher MSS value for a connection to the iSCSI system than for the other data traffic via the network. The potential value depends on the network structure. A higher value is only useful if the iSCSI system is located in the same subnet as the camera.

### **Enable DynDNS**

DynDNS.org is a DNS hosting service that stores IP addresses in a database ready for use. It allows selecting the device via the Internet using a host name, without having to know the current IP address of the device. Enable this service here. To do this,

obtain an account with DynDNS.org and register the required host name for the device on that site.

**Note:**

Information about the service, registration process, and the available host names can be found at DynDNS.org.

**Host name**

Enter the host name registered on DynDNS.org for the device here.

**User name**

Enter the user name registered at DynDNS.org here.

**Password**

Enter the password registered at DynDNS.org here.

**Force registration now**

Force the registration by transferring the IP address to the DynDNS server. Entries that change frequently are not provided in the Domain Name System. It is a good idea to force the registration when setting up the device for the first time. Only use this function when necessary and no more than once a day, to avoid the possibility of being blocked by the service provider. To transfer the IP address of the device, click the **Register** button.

**Status**

The status of the DynDNS function is displayed here for information purposes; these settings cannot be changed.

## 8.8.2 Advanced

The settings on this page are used to set advanced settings for the network. Some changes only take effect after a reboot. In this case **Set** changes to **Set and Reboot**.

1. Make the desired changes.
2. Click **Set and Reboot**.

The device is rebooted and the changed settings are activated.

### SNMP

The camera supports the SNMP V2 (Simple Network Management Protocol) for managing and monitoring network components, and can send SNMP messages (traps) to IP addresses. It supports SNMP MIB II in the unified code.

If **On** is selected for the SNMP parameter and a SNMP host address is not entered, the device does not send the traps automatically and will only reply to SNMP requests. If one or two SNMP host addresses are entered, SNMP traps are sent automatically. Select **Off** to deactivate the SNMP function.

#### 1. SNMP host address / 2. SNMP host address

To send SNMP traps automatically, enter the IP addresses of one or two target devices here.

### SNMP traps

To choose which traps are sent:

1. Click **Select**. A dialog box appears.
2. Click the check boxes of the appropriate traps.
3. Click **Set** to close the window and send all of the checked traps.

### Authentication (802.1x)

To configure Radius server authentication, connect the camera directly to a computer using a network cable. If a Radius server controls access rights over the network, select **On** to activate authentication to communicate with the device.

1. Enter the user name that the Radius server uses for the camera in the **Identity** field.
2. Enter the **Password** that the Radius server expects from the camera.

**RTSP port**

If necessary, select a different port from the list for the exchange of the RTSP data. The standard RTSP port is 554. Select **Off** to deactivate the RTSP function.

**UPnP**

Select **On** to activate UPnP communication. Select **Off** to deactivate it.

When UPnP is activated the camera reacts to requests from the network and is registered automatically as a new network device on the inquiring computers.

**Note:**

To use the UPnP function on a computer with Windows XP or Windows Vista, the Universal Plug and Play Device Host and the SSDP Discovery services must be activated.

This function should not be used in large installations due to the large number of registration notifications.

**TCP Metadata**

The device can receive data from an external TCP sender, for example an ATM or POS device, and store it as metadata.

Select the port for TCP communication. Select **Off** to deactivate the function. Enter a valid **Sender IP address**.

### 8.8.3 Multicast

In addition to a one-to-one connection between a camera and a single receiver (unicast), the camera can enable multiple receivers to receive the video signal simultaneously. This is either done by duplicating the data stream in the device and then distributing it to multiple receivers (multi-unicast), or by distributing an individual data stream in the network itself to multiple receivers in a defined group (multicast). Enter a dedicated multicast address and port for each stream. Then switch between the streams by clicking the associated tabs. The prerequisite for multicast operation is a multicast-capable network that uses the UDP and IGMP protocols. Other group membership protocols are not supported. The TCP protocol does not support multicast connections.

A special IP address (class D address) must be configured for multicast operation in a multicast-enabled network. The network must support group IP addresses and the Internet Group Management Protocol (IGMP V2). The address range is from 225.0.0.0 to 239.255.255.255. The multicast address can be the same for multiple streams. However, it is then necessary to use a different port in each case so that multiple data streams are not sent simultaneously using the same port and multicast address. The settings must be made individually for each stream.

### **Enable**

Enable simultaneous data reception on several receivers that need to activate the multicast function. To do this, check the box and then enter the multicast address.

### **Multicast Address**

Enter a valid multicast address to be operated in multicast mode (duplication of the data stream in the network). With the setting 0.0.0.0 the encoder for the stream operates in multi-unicast mode (copying of data stream in device). The camera supports multi-unicast connections for up to five simultaneously-connected receivers.

Duplication of data places a heavy demand on the CPU and can lead to impairment of the image quality under certain circumstances.

### **Port**

Enter the port address for the stream here.

### **Streaming**

Click the checkbox to activate multicast streaming mode. An activated stream is marked with a check. (Streaming is typically not required for standard multicast operation.)

### **Multicast packet TTL**

A value can be entered to specify how long the multicast data packets are active on the network. If multicast is to be run via a router, the value must be greater than 1.

## 8.8.4 FTP Posting

Save individual JPEG images on an FTP server at specific intervals. If required, retrieve these images at a later date to reconstruct alarm events. JPEG resolution corresponds to the highest setting from the two data streams.

### File name

Select how file names are created for the individual images that are transmitted.

- **Overwrite:** The same file name is always used and any existing file will be overwritten by the current file.
- **Increment:** A number from 000 to 255 is added to the file name and automatically incremented by 1. When it reaches 255, it starts again from 000.
- **Date/time suffix:** The date and time are automatically added to the file name. When setting this parameter, ensure that the date and time of the device are always set correctly. For example, the file snap011010\_114530.jpg was stored on October 1, 2010 at 11.45 and 30 seconds.

### Posting interval

Enter the interval in seconds at which the images are sent to an FTP server. Enter zero for no images to be sent.

### FTP server IP address

Enter the IP address of the FTP server on which to save the JPEG images.

### FTP server login

Enter your login name for the FTP server.

### FTP server password

Enter the password that gives access to the FTP server.

### Path on FTP server

Enter an exact path to post the images on the FTP server.

### Max. bit rate

Enter a limit for the data rate in kbps.



### 8.8.5 Encryption

If an encryption license is installed, this submenu gives access to the encryption parameters.

## 8.9 Service

Service	
>	Maintenance
>	Licenses
>	System Overview

### 8.9.1 Maintenance

#### CAUTION!



Before starting a firmware update, make sure to select the correct upload file. Uploading the wrong files can result in the device no longer being addressable, requiring it to be replaced. Do not interrupt the firmware installation. Even changing to another page or closing the browser window leads to interruption. Interruption may lead to faulty coding of the Flash memory. This can result in the device no longer being addressable, requiring it to be replaced.

#### Firmware

The camera functions and parameters can be updated by uploading new firmware. To do this, the latest firmware package is transferred to the device via the network. The firmware is installed there automatically. Thus, a camera can be serviced and updated remotely without requiring a technician to make changes to the device on site. The latest firmware can be obtained from your customer service center or from the Bosch Security Systems download area.

To update the firmware:

1. First, store the firmware file on your hard disk.
2. Enter the full path for the firmware file in the field or click **Browse** to locate and select the file.
3. Click **Upload** to begin transferring the file to the device.  
The progress bar allows you to monitor the transfer.

The new firmware is unpacked and the Flash memory is reprogrammed. The time remaining is shown by the message **going to reset Reconnecting in ... seconds**. When the upload is completed successfully, the device reboots automatically.

If the operating status LED is red, the upload has failed and must be repeated. To perform the upload, switch to a special page:

1. In the address bar of your browser, enter /main.htm after the device IP address, for example:  
192.168.0.10/main.htm
2. Repeat the upload.

### Configuration

Save configuration data for the camera to a computer and load saved configuration data from a computer to the device.

To save the camera settings:

1. Click **Download**; a dialog box appears.
2. Follow the instructions to save the current settings.

To load configuration data from the computer to the device:

1. Enter the full path of the file to upload or click **Browse** to select the desired file.
2. Make certain that the file to be loaded comes from the same device type as the device to be reconfigured.
3. Click **Upload** to begin transmission to the device. The progress bar allows monitoring of the transfer.

Once the upload is complete, the new configuration is activated. The time remaining is shown by the message **going to reset Reconnecting in ... seconds**. When the upload is completed successfully, the device reboots automatically.

### SSL certificate

To work with an SSL connection, both sides of the connection must have the appropriate certificates. Upload one or more certificate files, one at a time, to the camera.

1. Enter the full path of the file to upload or click **Browse** to locate the file.
2. Click **Upload** to start the file transfer.

Once all files have been successfully uploaded, the device must be rebooted. In the address field of the browser, enter `/reset` after the camera's IP address, for example:

192.168.0.10/reset

The new SSL certificate is valid.

### Maintenance log

Download an internal maintenance log from the device to send it to Customer Service for support purposes. Click **Download** and select a storage location for the file.

#### Note:

Make sure that the **HTTPS browser port** is not set to **Off** and TLS 1.0 support is activated for your browser.

## 8.9.2 Licenses

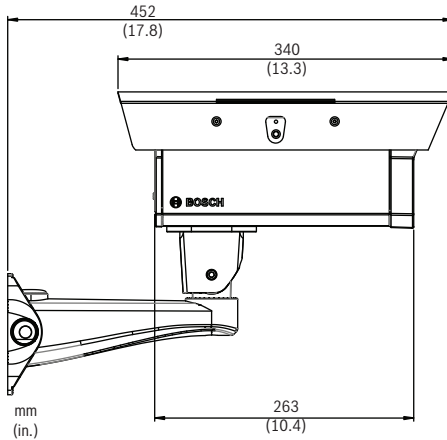
This window is for the activation of additional functions by entering activation codes. An overview of installed licenses is shown.

## 8.9.3 System Overview

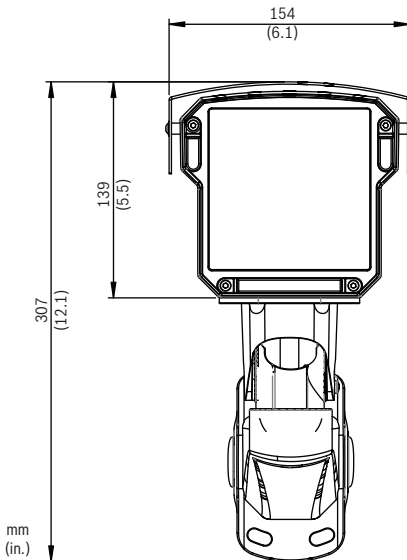
This window is for information only and cannot be modified. Keep this information at hand when seeking technical support. Select the text on this page with a mouse and copy it so that it can be pasted into an e-mail if required.

# A Dimensional Drawings

## DINION capture 5000



**Figure 1.1** DINION capture 5000 – Side View



**Figure 1.2** DINION capture 5000 – Front View



**Bosch Security Systems, Inc.**

850 Greenfield Road

Lancaster, PA 17601

U.S.A.

**[www.boschsecurity.com](http://www.boschsecurity.com)**

© Bosch Security Systems, Inc., 2012

## Free Manuals Download Website

<http://myh66.com>

<http://usermanuals.us>

<http://www.somanuals.com>

<http://www.4manuals.cc>

<http://www.manual-lib.com>

<http://www.404manual.com>

<http://www.luxmanual.com>

<http://aubethermostatmanual.com>

Golf course search by state

<http://golfingnear.com>

Email search by domain

<http://emailbydomain.com>

Auto manuals search

<http://auto.somanuals.com>

TV manuals search

<http://tv.somanuals.com>