



AutoDome Junior

VJR-A3-IC



BOSCH

en Installation Manual

Table of Contents

1	Installing a Recessed Mount	4
1.1	Description	4
1.1.1	Additional Requirements	4
1.1.2	Preparing the Ceiling for Installation	5
1.1.3	Installing the Camera to the Mounting Plate	8

1 Installing a Recessed Mount

1.1 Description

This chapter details how to recess mount the AutoDome Junior.

NOTICE!

The image sensors in modern CCD cameras are highly sensitive and require special care for proper performance and extended lifetime. Follow the guidelines for optimum results with your camera:



- Do not expose to direct sunlight or bright spotlights in operating and nonoperating conditions.
- Avoid bright lights in the field of view of the camera. Bright lights cause a “smearing” effect, which is visible as white lines above and below the highlight. Prolonged exposure to bright lights may cause bleaching of the sensor's color filters. This will be visible as colored spots in the picture and is irreversible.

1.1.1 Additional Requirements

- Appropriate straight slot screwdrivers
- No. 2 Phillips screwdriver
- Appropriate tool for cutting a hole in drywall or ceiling tile (if applicable)
- 4 in. x 4 in. junction box (optional)
- T-10 Torx wrench
- VJR-A3-SP, support kit for VJR-A3-IC mounting kit

1.1.2 Preparing the Ceiling for Installation

To mount to a recess mount, do the following:

1. Determine a secure location for the recessed mount (supplied separately).

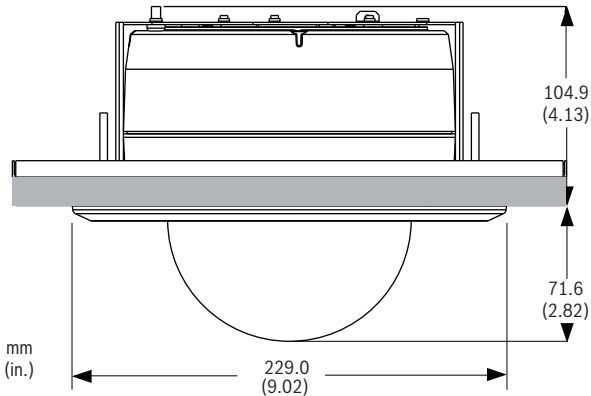
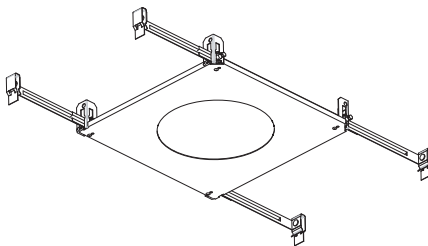


Figure 1.1 Recess Mount Dimensions

2. Drill or cut a 200 mm hole with a tolerance of 2.2 mm (7.9 in. $\pm 1/8$).
3. Optional: if installing the AutoDome Junior HD to a suspended ceiling tile or any other surface where additional support is required, the VJR-A3-SP mounting kit is recommended (supplied separately).



4. Align holes of mounting plate (supplied with dome) with mounting bracket and attach with screws. Ensure that both the crescent shape of the mounting plate and the crescent shape of the mounting bracket are aligned.

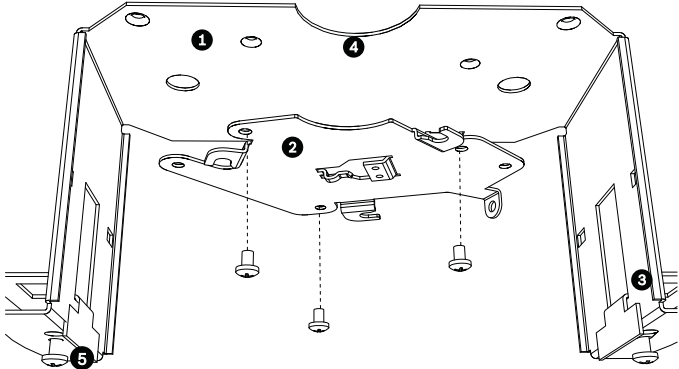


Figure 1.2 Attach Mounting Plate to Mounting Bracket

1	Mounting Bracket
2	Mounting Plate
3	Clamping Plate
4	Crescent Shape
5	Clamp Drive Screw

5. Loosen the two clamp drive screws (item 5, above) so that the clamping plates move freely.
6. Insert mount through the hole in the ceiling. Slide clamps out and down so that the ceiling/drywall is captured in between the clamps and the bracket flange. The ceiling/drywall must have a maximum thickness of 41.7 mm (1.64 in.) and an minimum thickness of 12.7 mm (0.50 in.).

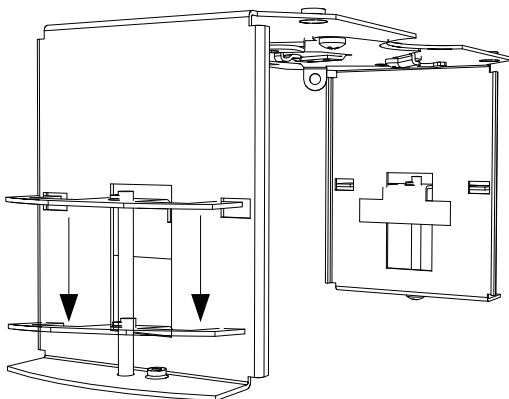


Figure 1.3 Attach Recess Mount to Ceiling

7. Tighten both clamps using the clamp drive screws (installed on the assembly) and a #2 Phillips screwdriver.

NOTICE!



Over-torquing the ceiling clamps can damage the clamp or ceiling. Only tighten the clamp until it contacts the ceiling and you start to feel some resistance. If using a power screwdriver, set the torque level to the lowest setting.

NOTICE!



If you need to install the the VJR-A3-SP Support Bracket, refer to the guide included with the bracket. Once the bracket is installed, continue with the next section.

1.1.3 Installing the Camera to the Mounting Plate

To install the base to a surface or suspended ceiling using the supplied mounting plate, do the following:

1. Loosen the single safety locking screw on the base of the unit using the user-supplied T-10 Torx wrench.

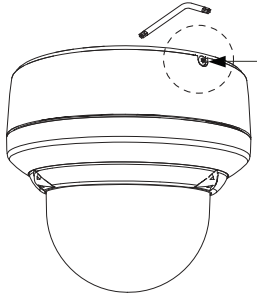


Figure 1.4 Unlock Safety Locking Screw



CAUTION!

All wires for installation applications must be routed through a grounded conduit.

2. Remove the screw from the Earth ground (\oplus) on the top of the mounting bracket.
3. Attach a user-supplied ground wire to the Earth ground (\oplus) screw hole on the mounting bracket and secure with the screw.
4. Attach the green grounding wire from the unit to the grounded ($\underline{\underline{\oplus}}$) screw hole on the mounting bracket using the attached captive screw washer.
5. Route wires on the side of mounting plate with the crescent shaped cut-out.
6. Connect the mating connectors (supplied in the accessory kit) with the flying leads to the user supplied wiring.

7. Plug the matching connectors from the camera into the mating connectors from the ceiling.

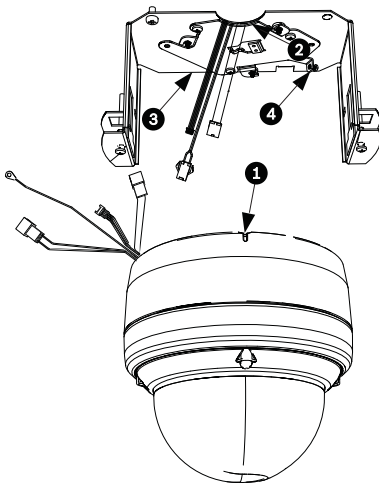


Figure 1.5 Match Connectors

1	Locking Screw
2	Crescent Shape
3	Mounting Plate
4	Vertical Tab

8. Attach the camera to the mounting plate by inserting the vertical tab on the plate (item 1, below) into the recessed slot on the top of the camera dome (Item 3) to the right of the safety locking screw (item 2).

Note: Do not loosen the three brass buttons (item 4). These brass buttons engage the slotted tabs (item 5) on the mounting plate.

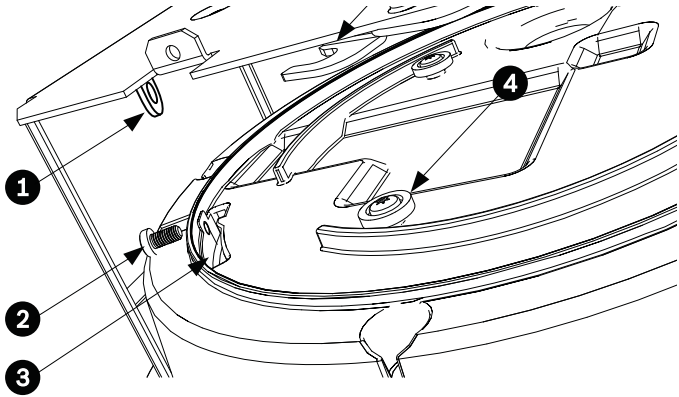


Figure 1.6 Tab/Slot Alignment Detail

1	Vertical Tab (on mounting plate)
2	Locking Screw
3	Recessed Slot (on dome housing)
4	Brass Button (total of three on housing)
5	Slotted Tab (total of three on mounting plate)

9. Rotate the camera approximately 15 degrees in the clockwise direction. Then, lock firmly into place, as shown in the next illustration.

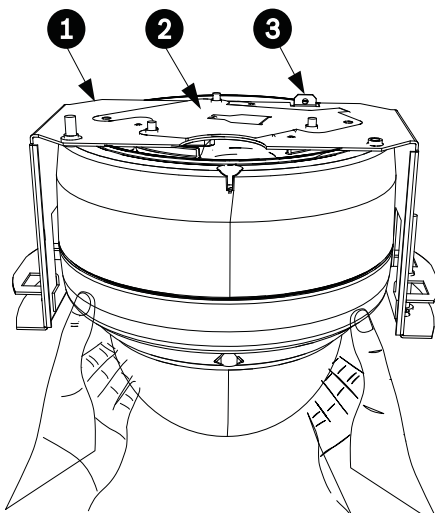


Figure 1.7 Attach Dome to Mounting Plate

1	Recess Mounting Bracket
2	Mounting Plate
3	Mounting Bracket Tether Point

10. Ensure unit is centered.



NOTICE!

The recessed mounting bracket is provided with an additional safety tether point. To prevent injury, attach a safety wire from a secure anchor point above the ceiling to this tether point.

11. Align trim ring so the four alignment posts (item 1, below) align with the recesses in the camera housing (item 2) and so the two safety screws align with the off center holes (item 3) on the locking clamps.

Note: The two (2) sets of raised stand-off tabs (item 4) on each side of the trim ring align with the locking clamps.

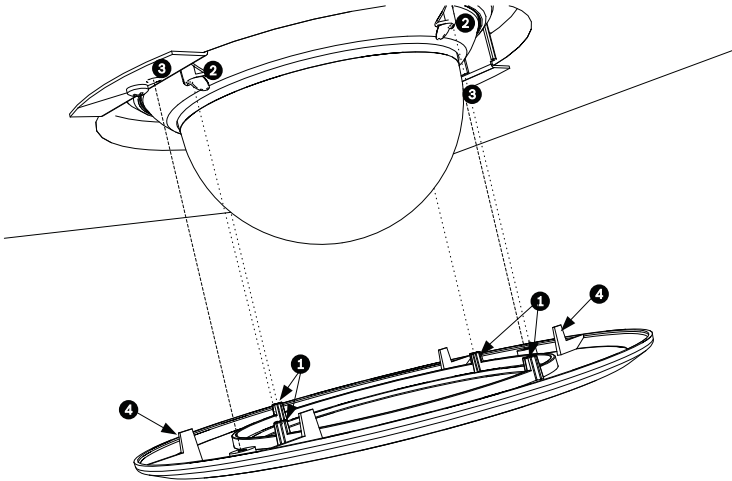


Figure 1.8 Align Trim Ring

1	Alignment Tabs (four)
2	Align tabs to the recessed areas on the housing
3	Align safety locking screws to these connections
4	Stand-off Tabs (two)

12. Snap trim ring into place. Ensure snaps are secure by attempting to lightly turn unit. Note: Unit should not turn.
13. Use the supplied T-10 Torx wrench to secure the trim ring's two (2) safety locking screws to the mounting bracket.

Bosch Security Systems, Inc.

850 Greenfield Road

Lancaster, PA 17601

U.S.A.

www.boschsecurity.com

© Bosch Security Systems, Inc., 2011

Free Manuals Download Website

<http://myh66.com>

<http://usermanuals.us>

<http://www.somanuals.com>

<http://www.4manuals.cc>

<http://www.manual-lib.com>

<http://www.404manual.com>

<http://www.luxmanual.com>

<http://aubethermostatmanual.com>

Golf course search by state

<http://golfingnear.com>

Email search by domain

<http://emailbydomain.com>

Auto manuals search

<http://auto.somanuals.com>

TV manuals search

<http://tv.somanuals.com>