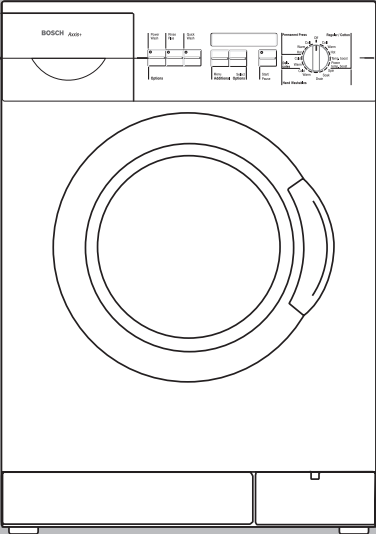
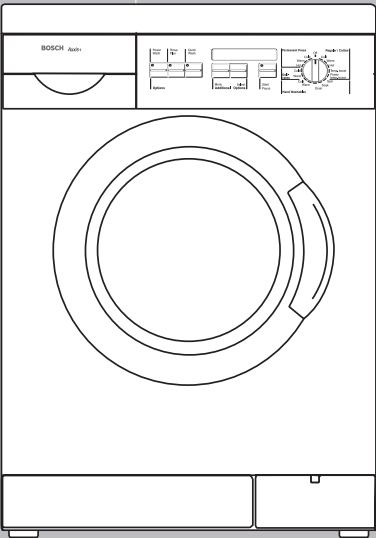


Axxis+
WFR 2450



Axxis+
WFR 2460



**am Operating, Care and
Installation Instructions**

BOSCH



Table of Contents

IMPORTANT SAFETY INSTRUCTIONS	3
-------------------------------------	---

Operating Instructions

Disposal Information	5
Disposing of the packaging	5
Disposing of your old appliance	5
Environmental Protection / Conservation Issues ..	5
Intended Use	5
Your New Washing Machine	6
Control panel	7
Before Using For the First Time	8
Using For the First Time	8
Selecting the language	8
Preparing, Sorting and Loading the Laundry	9
Preparing the laundry	9
Sorting the laundry	9
Degrees of dirt	9
Loading the laundry	11
Laundry Detergents and Additives	12
Dispensing the correct amount of detergent ..	12
Filling laundry detergent and/ or additive dispensers	12
Programs and Functions	13
Basic programs	13
Extra cycle program selector	13
Display field	14
Option buttons	14
Indicator light in the "Start/Pause" button ..	15
Washing with Standard Settings	16
Washing with Individual Settings	17
Quick overview	17
Spin speed	18
Program finished at	19
Reduced ironing	20
Signal	21
Child lock	22
Standard time/Daylight-saving time	23
Set clock	24
Resetting the settings	25

During Washing	26
Reselecting a program	26
Topping up the washing/ Interrupting the program	26
Cancelling active program	27
Soaking	27
Bleaching	27
Decolorizing	27
After Washing	28
Emergency Lock Release	29

User Maintenance Instructions

User Maintenance Instructions	30
Cleaning and Care	30
Cleaning the appliance housing and control panel	30
Cleaning the drum	30
Cleaning the detergent dispenser	30
Cleaning the drain pump	31
Cleaning water inlet strainers	32
Descaling the washing machine	33
Customer Service	34
Troubleshooting Minor Faults	35
Fault displays	38

Installation Instructions

Installation, Connection and Transportation	39
Safety information	39
Factory-supplied equipment	39
Dimensions	41
Installation area	41
Built-in Installation	42
Levelling procedure	42
Removing the transport bolts	43
Hose and cable lengths	44
Water connection	44
Electrical connection	46
GROUNDING INSTRUCTIONS	46
Transport, e.g. when moving	47

The new washing machine you just purchased is a modern, high-quality domestic appliance.

Your washing machine is distinguished by its economical consumption of power, water and detergent.

Each washing machine which leaves our factory has undergone a thorough performance test and is in fully working condition. If you have any queries – especially concerning installation of the washing machine – our customer service will be happy to advise you.

Further information and a selection of our products can be found on our Internet page:
<http://www.bosch-hausgeraete.de>

Please read and observe these operating and installation instructions and all other information enclosed with the washing machine.

These operating and installation instructions describe various models. Differences are indicated in the appropriate places.

Keep all documentation in a safe place for subsequent use or for the next owner of the appliance.

KEEP THESE INSTRUCTIONS FOR FUTURE REFERENCE.

(In case of change of ownership, manual should be conveyed with the washing machine.)

IMPORTANT SAFETY INSTRUCTIONS

WARNING

To reduce the risk of fire, electric shock, serious injury or death to persons when using your washing machine, follow basic precautions, including the following.

1. BOSCH washers are provided with a manual, including Operating Instructions, User Maintenance Instructions and Installation Instructions. Read all instructions before using the washing machine.
2. Do not wash articles that have been previously cleaned in, washed in, soaked in, or spotted with gasoline, dry cleaning solvents, other flammable, or explosive substances as they give off vapors that could ignite or explode.
3. Do not add gasoline, dry cleaning solvents, or other flammable or explosive substances to the wash water. These substances give off vapors that could ignite or explode.
4. Under certain conditions hydrogen gas may be produced in a hot water system that has not been used for 2 weeks or more. **HYDROGEN GAS IS EXPLOSIVE.** If the hot water system has not been used for such a period, before using a washing machine, turn on all hot water faucets and let the water flow from each for several minutes. This will release any accumulated hydrogen gas. As the gas is flammable do not smoke or use an open flame during this time.
5. Do not allow children to play on or in the appliance. Close supervision of children is necessary when the appliance is used near children.
6. Before the appliance is removed from service or discarded, remove the door and the power cord/plug.
7. Do not reach into the appliance if the wash drum is moving.
8. Do not install or store this appliance where it will be exposed to the weather.
9. Do not tamper with the controls.
10. Do not repair or replace any part of the appliance or attempt any service unless specifically recommended in the user-maintenance instructions or in published user repair instructions that you understand and have the skills to carry out.
11. Always be sure to unplug the washing machine from the electrical supply before attempting any service. Disconnect the power cord by grasping the plug, not the cord.

12. To reduce the risk of fire, clothes, cleaning rags, mop heads and the like which have traces of any flammable substance, such as vegetable oil, cooking oil, petroleum based oils or distillates, waxes, fats, etc., must not be placed in the washing machine. These items may contain some flammable substance(s) after laundering, which may smoke or catch fire by itself.
13. Do not use bleach. Hazardous fumes can form.
14. Do not machine wash fiberglass materials (many curtains and window coverings use fiberglass materials). Small particles can remain in the washing machine and stick to fabrics in subsequent wash loads causing skin irritation.
15. Do not leave children unsupervised near the washing machine.
16. Keep pets away from the washing machine.
17. Do not insert/pull out the mains plug with wet hands.
18. Do not pull out the mains plug by tugging the cable.
19. Do not touch the loading door if washing at high temperatures.
20. Caution when draining hot water.
21. Do not climb onto the washing machine and do not lean on the open loading door.
22. Do not sit on the top of the washing machine.
23. To reduce the risk of fire or electrical shock, DO NOT use an extension cord or an adapter to connect the washing machine to the electrical power supply.
24. The washing machine must only be used for its intended purpose.
25. Always follow the fabric care instructions recommended by the clothing manufacturer.
26. Replace worn power cords and/or loose plugs.
27. Make sure that all water connections to the washing machine have shut-off valve(s) and that they are readily accessible. Close the washing machine water shut-off valve(s) at the end of each wash day.
28. Check the fill hose connections on a regular basis to assure that they are tight and not leaking.
29. Always read and follow the instructions of the manufacturer of the detergent(s), cleaning aid(s), fabric softener(s) and static eliminator(s), you are using. Heed all warnings and precautions.
30. Store all laundry chemicals and aids in a cool dry place according to the manufacturers instructions.
31. To reduce the risk of poisoning or chemical burns, keep all cleaning products out of the reach of children.
32. Do not operate the washing machine with any guards and/or panels removed.
33. Do not operate the washing machine with missing or broken parts.
34. Do not bypass any safety devices.
35. Do not operate this washing machine until you are sure:
 - a. the washing machine has been installed according to the INSTALLATION INSTRUCTIONS.
 - b. all connections for water, drain, electrical power and grounding are in compliance with all local codes and/or other applicable codes and requirements.
36. Failure to install, maintain and/or operate the washing machine according to the manufacturer's instructions may result in conditions which can lead to physical injury and/or property damage.

Notes:

- A. The IMPORTANT SAFEGUARDS and WARNINGS presented in this manual do not cover all possible conditions that may occur. Common sense, caution and care must be exercised when installing, maintaining or operating the washing machine.
- B. Always contact your dealer, distributor, service agent or the manufacturer about any problems or conditions that you do not understand.

SAVE THESE INSTRUCTIONS

Disposal Information

Disposing of the packaging

The shipping package has protected your new appliance on its way to your home. All packaging materials are non-polluting and recyclable. Please contribute to a better environment by disposing of packaging materials in an environmentally conscious manner.

Please ask your dealer or local authority about the best means of disposal.

 **DANGER OF SUFFOCATION!** 

Keep children away from shipping carton and packaging components. Danger of suffocation from plastic foil and folding cartons.

Disposing of your old appliance

Old appliances are not worthless rubbish! Environment-conscious recycling can reclaim valuable raw materials.

 **DANGER OF FATAL INJURY!** 

On out-of service appliances, unplug main plug. Cut off power cord and discard with main plug.

To prevent playing children from becoming trapped and endangered, ensure that the door locking mechanism is disabled.

Environmental Protection/Conservation Issues

Your washing machine uses water, energy and detergent efficiently, thereby protecting the environment and reducing your household costs.

Using your washing machine in an efficient and non-polluting manner:

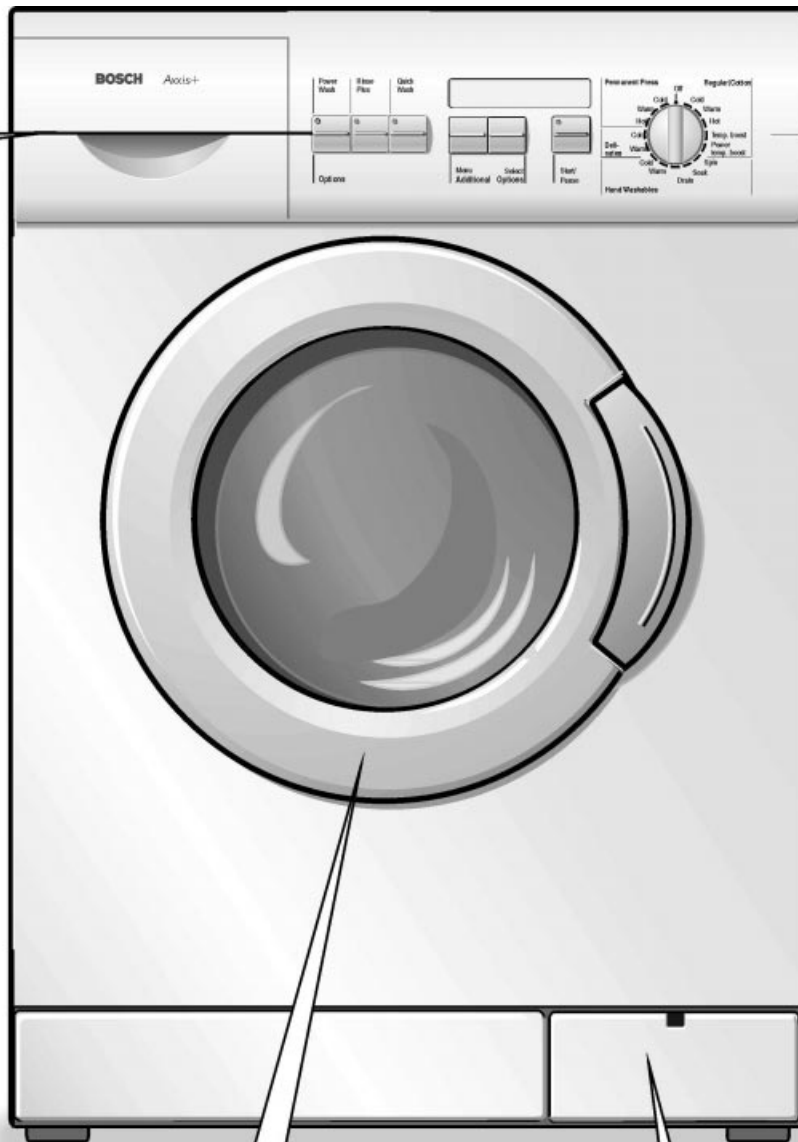
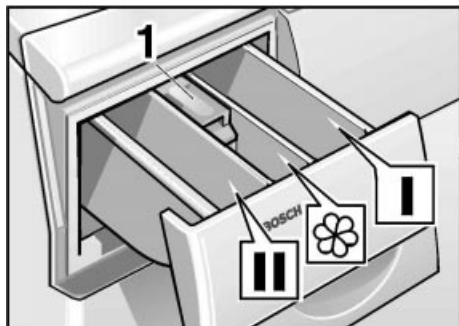
- Avoid using too much detergent. Use detergent recommended for high efficiency and front-loading washers.
- Add detergent according to the degree of soiling, amount of laundry and water hardness, and observe the detergent manufacturers instructions.

Intended Use

Your washing machine is intended:

- For domestic use only.
- For washing machine-washable fabrics in washing water.
- For operation using cold and hot (140 °F/60 °C) tap water and conventional laundry detergents and additives that are suitable for the use in washing machines.

Your New Washing Machine



Filling in laundry detergent and/or additive dispensers

Dispenser I:

Detergent for soaking agent.

Dispenser II:

Detergent for wash, stain remover.

Dispenser ⌘:

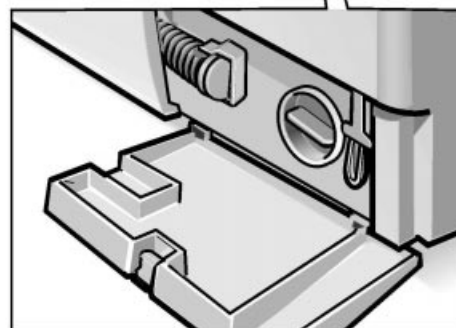
Cleaning product, e.g. fabric softener, fabric conditioner (do not fill above the lower edge of insert 1).



Opening ...



and closing the door



Service cover

Control panel

Buttons for additional options

(in addition to the program if required)

Power Wash: Extended washing time for best stain removal and cleaning results.

Rinse Plus: Additional rinsing cycle.

Quick Wash: Faster washing time for expedited cleaning results.

Additional option selected:

Indicator light is glowing red.

Switch off additional option:

Press button again. Indicator light turns off.

Display field

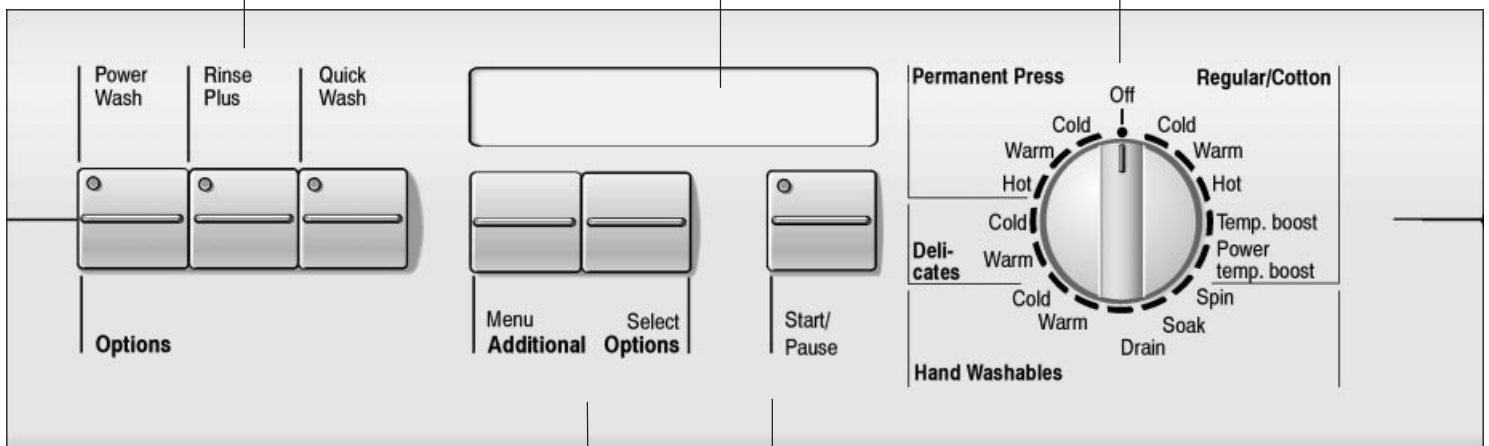
Indicates the settings which have been selected or which are to be changed (e.g. spin speed, end time, reduced ironing and child lock) as well as the progress of the program.

Program selector with indicator light

In order to switch the machine on and off and to select the program.

Can be rotated in either direction.

The program selector does not rotate while the program is running – the program sequence is electronically controlled.



“Menu” button

In order to select the settings which are to be changed.

“Select” button

In order to change all the settings in the display field.

“Start/Pause” button

In order to start or interrupt the washing cycle (program must have been selected).

Indicator light

Indicator light flashes red:

Settings can be changed or the wash cycle can be started.

Indicator light is glowing red: Program is running. Top-up possible.

The indicator light is on (yellow):

The door is locked for reasons of safety or the child lock is active.

Before Using For the First Time

The washing machine must have been installed and connected properly (refer to page 39).

Before beginning to use your washing machine for the first time:

- Make sure the voltage the washing machine is to operate on is the same as shown on the rating plate.
- Check to make sure that the water valves to the washing machine are open.

Using For the First Time

Your appliance was tested before leaving the factory. To remove any water left over from testing procedures, the first washing cycle should be carried out without laundry in the machine.

- Do not load any laundry.
- Turn on water tap.
- Pull out the detergent dispenser up to the final stop.
- Pour approx. 1 liter/1 quart of water into chamber **II** of the detergent dispenser.
- Fill the measuring cup with detergent half and pour into chamber **II**.
- i** Do not use any special detergents for delicates or wool (excessive foam).
- Close the detergent dispenser.
- Close the loading door.
- Set the program selector to **Cotton Power temp. boost**.
The **Start/Pause** indicator light flashes (red).
- Press the **Start/Pause** button.
The program starts.
The indicator light is on (red).

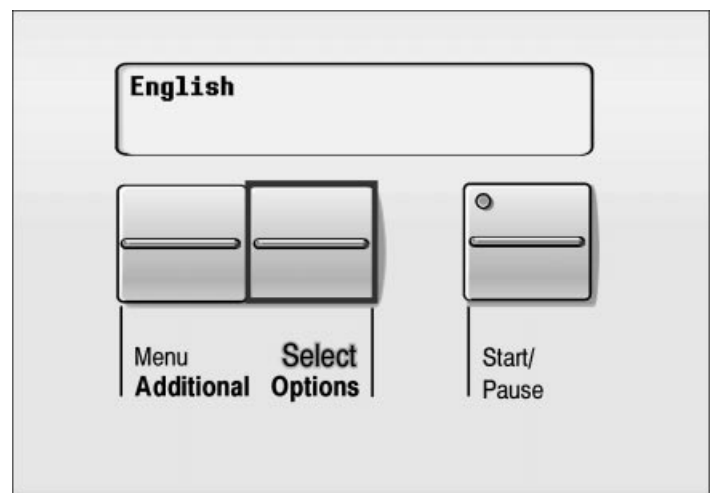
- i** The individual program steps are indicated in the display field.

When “Remove laundry” is displayed:

- Turn the program selector to **Off**.

Selecting the language

- i** The program selector must not be set to **Off**.
- i** The language must be selected before a program is started.
- Simultaneously press the **Menu** and **Select** buttons and hold down (5 seconds) until the current setting is displayed.



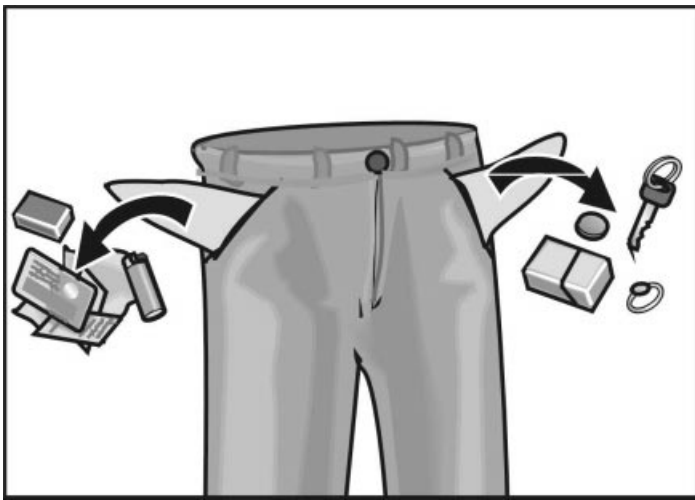
- Press the **Select** button until the required language – e.g. **English** – is displayed.
- Confirm the language selection by pressing the **Menu** button.
- i** The selected setting is retained after the wash cycle.

Preparing, Sorting and Loading the Laundry

Preparing the laundry

CAUTION

Loose debris (e.g. coins, paper clips, needles, nails) can damage items of clothing as well as parts of the washing machine (e.g. drum).



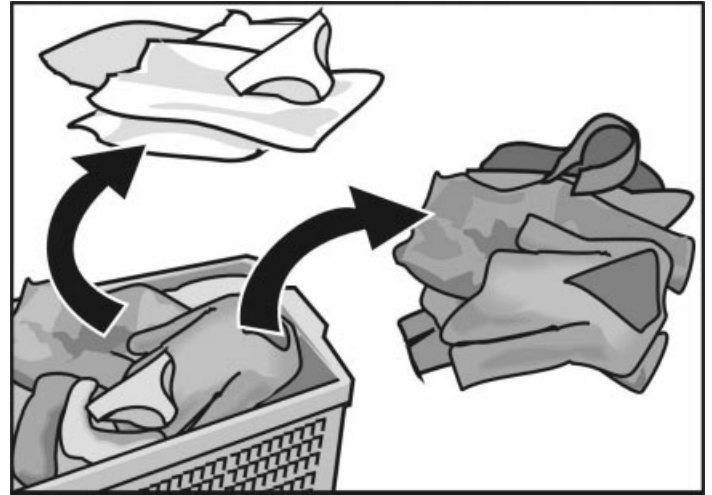
- Empty all pockets of the clothing.
- Brush out any sand from pockets and cuffs.
- Close zip-fasteners and button up bed covers.
- Remove curtain runners or tie them up in a net/bag.
- The following items must be washed inside a net/pillow case:
 - Extremely delicate items, e.g. fine tights, net curtains.
 - Small items, e.g. small socks or handkerchiefs.
 - Underwired bras (the wire may come loose during washing and cause damage).
- When washing trousers, knitwear and woven fabrics, e.g. shirts, T-shirts or sweatshirts, always turn these items inside out.

Sorting the laundry

According to colour to degree of dirt

CAUTION

Items of clothing can be discolored. Never wash new multi-colored items together with other items.



White items may become grey. Always wash white and colored items separately.

Degrees of dirt

Slight dirt

No recognizable dirt or staining. Laundry may have some body odor.

- Light summer clothing and sportswear that has only been worn for a few hours.
- T-shirts, shirts and blouses that have been worn for up to one day.
- Bed linen and guest towels that have been used for one day.

Normal dirt

Visible dirt and/or some light staining recognizable.

- T-shirts, shirts and blouses that are very sweaty or have been worn several times.
- Underwear that has been worn for one day.
- Tea towels, hand towels and bed linen that have been used for up to one week.
- Net curtains (without nicotine staining) that have not been washed for up to ½ year.

Intensive dirt

Dirt and/or staining recognizable.

- Kitchen hand towels that have been used for up to one week.
- Fabric napkins.
- Bibs.
- Children's outer clothing or football shirts and shorts with grass and soil stains.
- Working clothes such as overalls or bakers and butchers coats.

Typical stains

- Skin fat, cooking oils/fat, sauces, mineral oil, wax (containing fat/oil).
- Tea, coffee, red wine, fruit, vegetables (bleachable).
- Blood, egg, milk, starch (containing protein/carbohydrate).
- Soot, soil, sand (pigments), red sand on tennis clothes.

Removing stains

If possible, remove/pretreat stains while they are still fresh.

First, dab soapy water onto the stain. Do not rub.

Subsequently wash the items of clothing using the appropriate program.

Sometimes several washing cycles may be required in order to remove persistent/dried in stains.

Sorting laundry according to their care label specifications

Fabric Types

- 🧺 Machine Wash, Cottons
- 🧺 Machine Wash, Permanent Press
- 🧺 Machine Wash, Delicates
- 🧺 Hand Wash

Temperatures

- 🧺 Cold
- 🧺 Warm
- 🧺 Hot

Do not wash clothes in washing machine if the care label says "Do Not Wash" or the DO NOT WASH symbol – 🧺 – is on the care label.

Loading the laundry

⚠ RISK OF EXPLOSION! ⚠

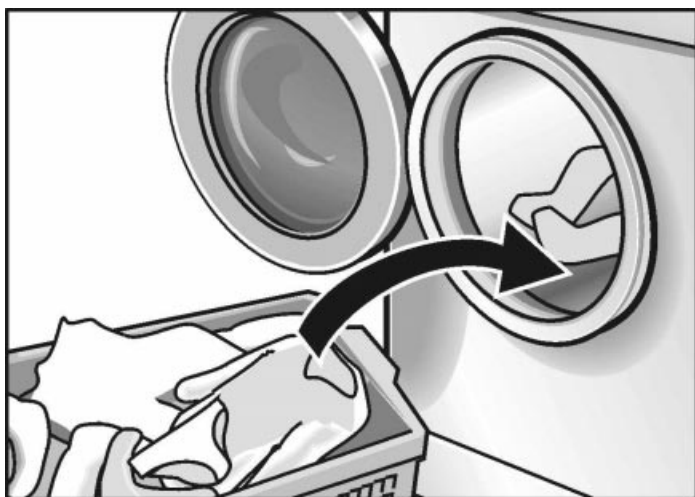
Items of clothing that have been pretreated with solvent-based cleaning agents, e.g. stain remover and dry cleaning spirit, represent an explosion hazard once loaded into the washing machine. Therefore, these items must first be rinsed thoroughly by hand.

CAUTION

Loose debris in the washing machine drum can damage the laundry. Before loading the laundry, check that there is no debris in the drum.



- Open the loading door.



- Unfold the sorted items of clothing and place them loosely into the drum. Mix up large and small items.
Items of varying size will distribute better during the spin cycle.

- Do not exceed the maximum load: Overloading will cause poor wash results and encourage creasing.

For best results it is recommended to load the drum depending on the fabric type:

- Full Load** Cotton and Linens
- ½ Load** Permanent Press, Synthetic Blends and Poly Knits
- ⅓ Load** Wool, Delicates, Silk



- Close the loading door.
Make sure not to trap any items of clothing between the loading door and rubber seal.

Laundry Detergents and Additives

Dispensing the correct amount of detergent

⚠ RISK OF POISONING! ⚠

Keep detergents and additives out of the reach of children.

Measure out the detergent according to:

- the water hardness. This information can be obtained from your local water authority.
- the amount of laundry.
- the amount of soil. Information on soiling can be found on page 9.
- the specifications of the detergent manufacturer. Measure out the correct amount of detergent relieves the strain on the environment and ensures optimum washing results.

- i** DO NOT use chlorine bleach in this washing machine.
- If it is necessary to use a detergent made for top loading washing machines, to avoid oversudsing, it is recommended that only $\frac{1}{4}$ to $\frac{1}{2}$ (approx. 2–3 Tbl.) of the amount recommended by the detergent manufacturer for top loading washing machines be used. Using this smaller amount may effect the cleaning performance. The first time, start with $\frac{1}{4}$ of the recommended amount. Then, only if there is a low level of sudsing and your clothes are not getting clean, try a little more.
- Pour liquid detergent into the appropriate dispensing chamber.

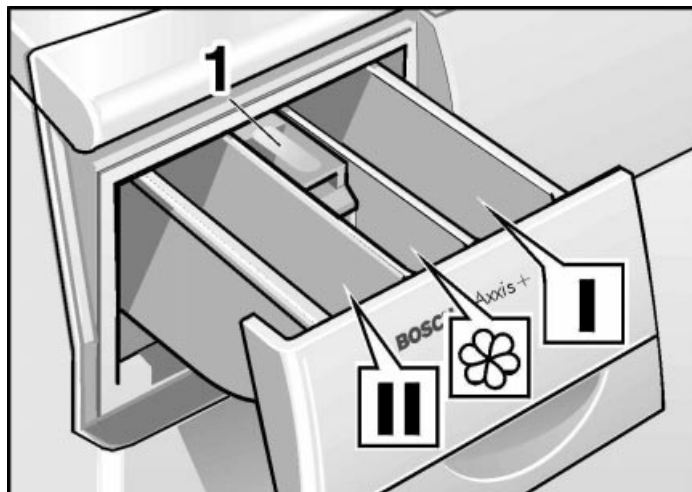
Too little detergent:

The laundry is not cleaned properly and will, after a while, become grey and stiff. Greyish brown spots (fat globules) may appear on the laundry. The heaters may calcify.

Too much detergent:

Environmentally incompatible, excessive foam reduces wash agitation which causes poor washing and rinsing results.

Filling laundry detergent and/or additive dispensers



Dispenser I:
Detergent for soaking agent.

Dispenser II:
Detergent for wash, stain remover.

Dispenser ⌘:
Cleaning product, e.g. fabric softener, fabric conditioner (fill at least to lower edge of insert **1**).

- i** Concentrated or thick fabric softener and conditioner must be diluted with a little water before being poured into the dispenser (prevents overflow as a result of obstruction).
- Pull out the detergent dispenser up to the final stop.
- Add the detergent and/or additive.
- Close the detergent dispenser.

Programs and Functions

Select the desired program – see also the separate program overview.

Cycle time can vary depending on cycle selected, temperature and pressure of incoming water, water hardness, size of load, type of fabrics and distance of unit from the drain. Temperature of water and wash load will alter water consumption and cycle duration.

The maximum spin speeds of the programs are dependent on the model. For adjusting the spin speed, see Page 18.

Basic programs

Regular/Cotton

Regular/Cotton settings are intended to be used for colorfast sturdy, hard wearing items made from cotton or linen, such as:

- Play clothes
- Work clothes
- Sheets
- Towels
- Jeans
- T-shirt, etc.

Refer to the care label of the clothing for settings to use.

Permanent Press

Permanent Press settings are intended to be used with permanent press items and items made from cotton, linen, synthetic or blended fabrics and outer garments, such as:

- Dress shirts
- Dress pants
- Poly/cotton blend clothing
- Clothes requiring a special tumble sequence and spin speed to minimize wrinkling.

Delicates

Delicates settings are intended for use with delicate easy care items made from cotton, satin, synthetic or blended fabrics and curtains.

No spinning between rinse cycles.

We do not recommend washing these fabrics with other rougher fabrics.

Hand Washables

Hand Washables settings are intended for very delicate easy care items that usually require hand washing.

These cycles have been specifically designed to provide extremely gentle treatment of fabrics. All wool, silk or other items marked with the "Hand Wash" symbol, (🧺), on the care label can be safely washed with this cycle.

Temperature Settings

Following wash temperatures are available:

Power temp. boost – 160 °F (71 °C)

This is the highest temperature setting. The water temperature is raised to approximately 160 °F (71 °C).

Temp. boost – recommended for 145 °F (63 °C)

hot – 125 °F (52 °C)

warm – 95 °F (35 °C)

cold – 60 °F (15 °C)

Extra cycle program selector

Spin

Spin cycle for spinning hand-washed laundry. Water is drained before the spin cycle.

Soak

An integrated soak cycle for pre-treating of heavily stained items. The soak cycle lasts 2 hours. The reached temperature is 95 °F (32 °C). It is ending with a short spin cycle. All the water is pumped out.

Drain

Water is drained after a program with the **No final spin** setting for gentle treatment of delicate laundry.

Maximum spin speeds of the programs

Revolutions per minute	Type of laundry/Extra cycle
1200	Regular/Cotton
800	Permanent Press
600	Delicates
800	Hand Washables
1200	Spin

In the **Regular/Cotton** program the fabrics will be spun at the maximum possible spin speed.

In the **Permanent Press, Delicates** and **Hand Washables** programs, the washing machine spins at low spin speed – for the gentle washing of the laundry.

Display field

In the first line the operating and program progress text is being displayed left justified and, if possible, the current time right-justified (if text is long, the time is masked out).

In the second line the displays shows the spin speeds and the time which the program is expected to be finished, as well as symbols for reduced ironing, signal and child lock.

Spin speeds or No final spin

The maximum spin speed of the program is displayed. During the **Drain** program “----” (No final spin) will be showed.

The speeds can be changed or **No final spin** can be selected.

No final spin

For delicate laundry and net curtains. The laundry remains lying in the water after the final rinse.

Use this setting to avoid creasing, when the clothing cannot be taken out of the washing machine immediately upon completion of the cycle.

Before the washing machine can be unloaded, the **Drain** or **Spin** program must be performed.

End time

The time is displayed at which the program will end.

Symbol for “Reduced ironing”

This symbol is being displayed if “Reduced ironing” was selected. The selection of “Reduced ironing” remains active until it is turned off via the menu.

Symbol for signal

This symbol is being displayed if the signal volume was not set to **Off**.

Symbol for child lock

This symbol is being displayed if **Child lock: ON** was selected in the menu.

Option buttons

Power Wash

Recommended for heavily soiled garments. Particularly recommended when trying to remove protein stains.

Washing time is extended.

Only cold water is introduced to the drum. The washing machine then heats the water to the selected wash temperature. By raising the temperature from cold up to the set temperature all components of the detergent are activated in stages for best stain removal and cleaning results.

Rinse Plus


When this button is pressed, an additional rinsing cycle will be added to the selected cycle.

Washing cycle time is extended accordingly.

Quick Wash

Faster wash for expedited cleaning results. If both buttons for **Power Wash** and **Quick Wash** are pressed, only **Quick Wash** is running.

Recommended for ½ load only.

 Effective combinations of program and additional options are possible. Other combinations are rejected. A signal rings.

Indicator light in the “Start/Pause” button

The indicator light conveys the following information:

Indicator light **flashing red**

Program can be started.

Putting in laundry is possible.

Indicator light **glowing red**

Program is running.

Putting in laundry will be possible after pressing the **Start/Pause** button.

Indicator light **flashing yellow**

Program can be started.

Putting in laundry is not possible because the door is locked for reasons of safety.

Indicator light **glowing yellow**

Program is running.

The child lock is active or putting in laundry will not be possible after pressing the **Start/Pause** button.

Indicator light **off**

Door is open and/or the program has ended.

i Exception: If child lock was selected, the indicator light is on (yellow) at the end of the program; the door is locked.

Load adjust

“Load adjust” matches the water and power consumption to each program – according to the amount of laundry and type of fabrics.

Therefore water and energy consumption are reduced when washing small amounts of laundry.

The flow sensor measures the water flow rate like an internal water gauge and meters the exact volume of water required for the amount of laundry.

The stepless water level sensor ensures that the water level is correct in each program for washing your laundry – from our economical “Regular/Cotton” programs to the gentle “Delicates/Silk” and “Wool” cycles.

Unbalanced load detection system

The automatic unbalanced load detection system spins the laundry several times to ensure even distribution.

If the wash load is unevenly distributed, it is not spun for reasons of safety or the end speed is reduced.

In the woolens program the appliance attempts to start the spin cycle only twice in order to prevent laundry from shrinking.

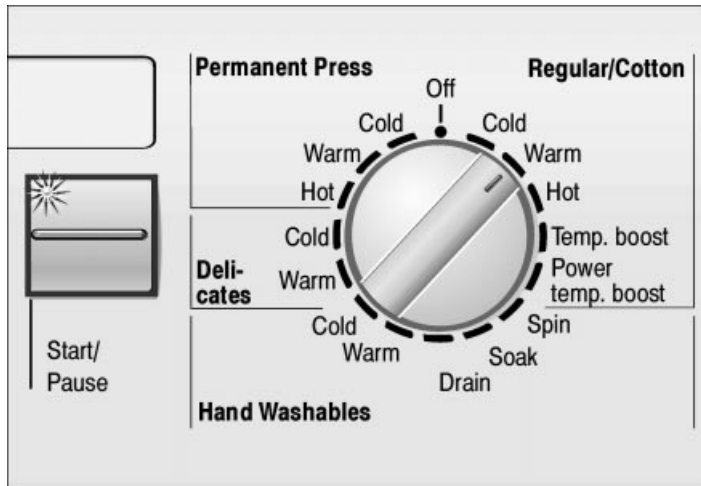
Washing with Standard Settings

The specified standard settings are optimally adjusted to the selected program.

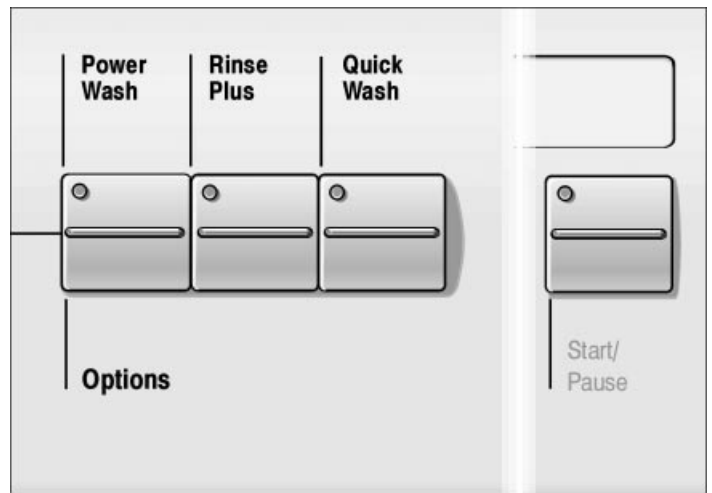
If you do not want to change these standard settings:



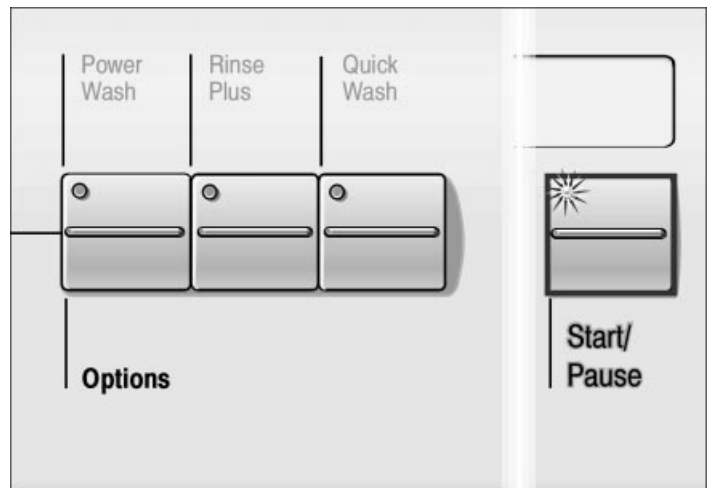
- Turn on the water taps.



- Turn the program selector to the desired program.
- i** If the time has not been set, "Clock not set" is briefly indicated in the display field; "0:00" flashes. Set clock; see from Page 24.
- Load the washing machine and close the door. The **Start/Pause** indicator light flashes (red).



- If required, press the button(s) for additional option(s). The indicator light of the selected button shines (red).
- i** If an illogical combination was selected inadvertently, the indicator light of the selected button is turned off and a signal is emitted.



- Press the **Start/Pause** button. The indicator light shines (red). The program starts.
- i** The individual program steps are indicated in the display field.

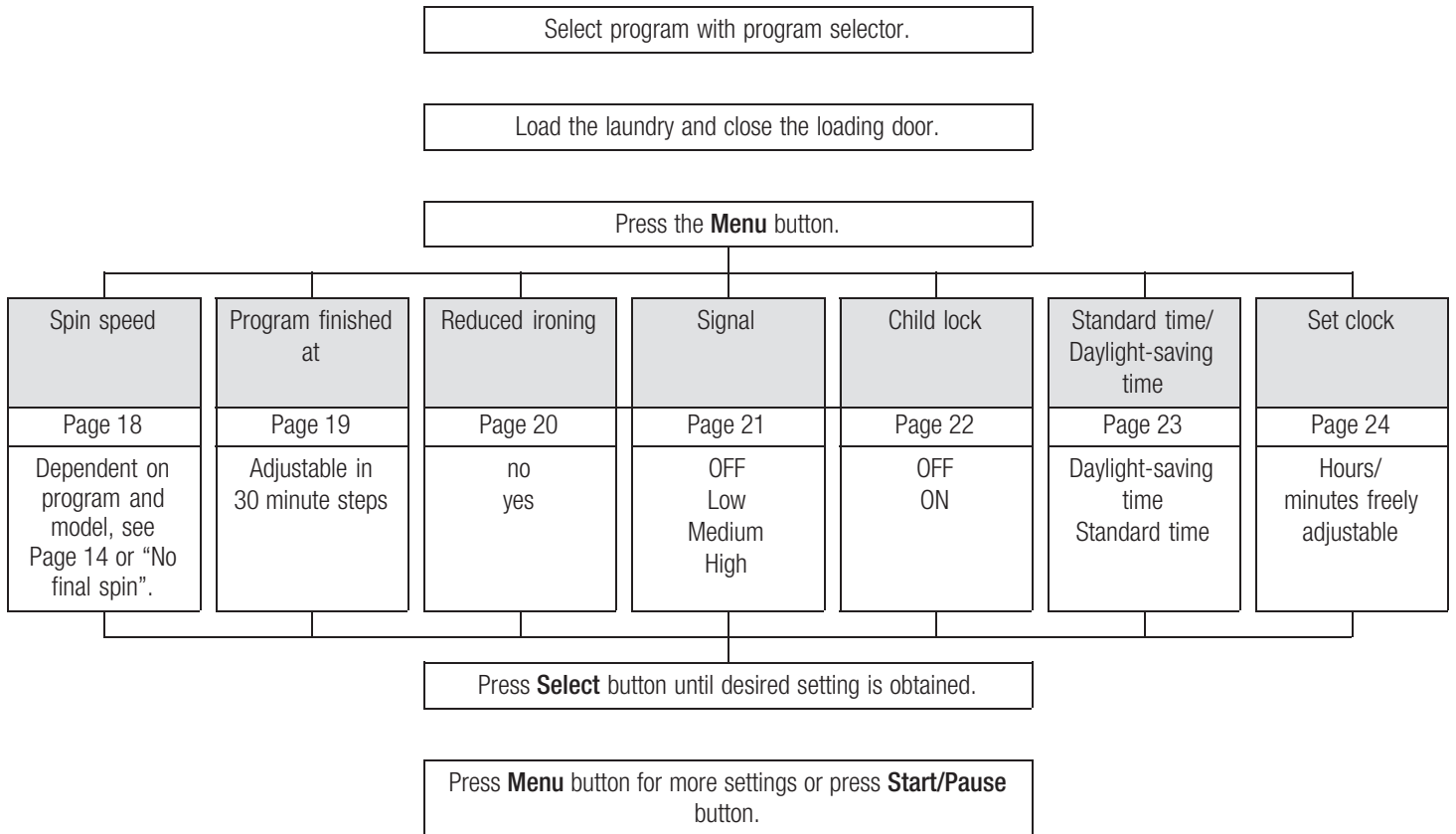
Washing with individual settings is described subsequently.

Washing with Individual Settings

You can adjust the settings to your requirements. First find a quick overview of the adjustable settings.

The steps for changing the settings are described in detail the following pages.

Quick overview



Spin speed

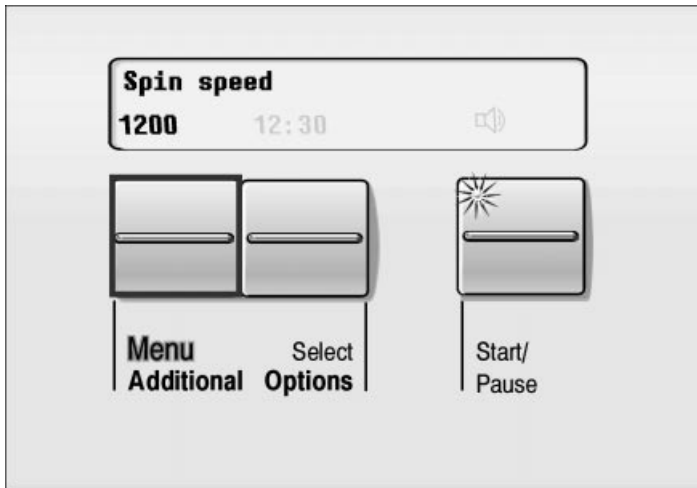
You can reduce the displayed spin speed.

The maximum displayed spin speed depends on the selected program.

See also information on Page 14.

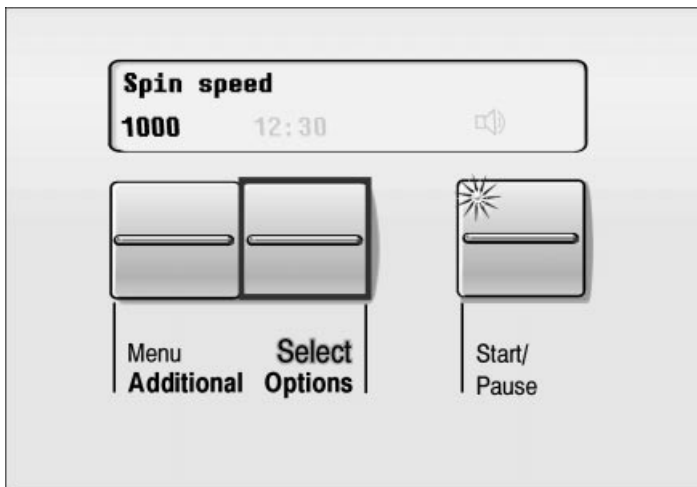
- Turn the program selector to the desired program.
- Load the laundry and close the loading door. The **Start/Pause** indicator light flashes (red).

Example:



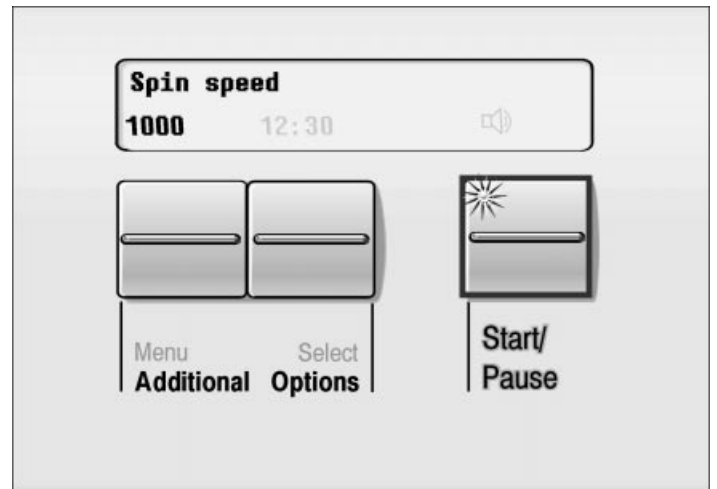
- Press the **Menu** button until, "Spin speed" is displayed. Current spin speed flashes. The **Start/Pause** indicator light flashes (red).

- i** The menu is being left if a button is not pressed within 10 seconds.



- Press the **Select** button until the desired spin speed or "No final spin ----" is displayed.

You can change other settings or

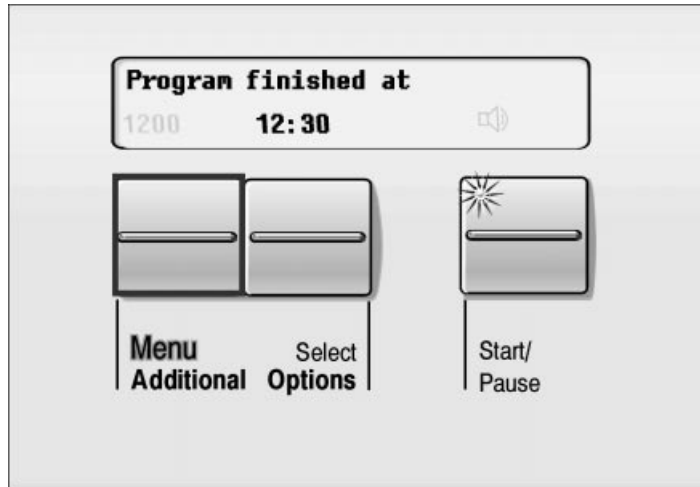


- Press the **Start/Pause** button. The program starts. The indicator light shines.
- i** The individual program steps are indicated in the display field.

Program finished at

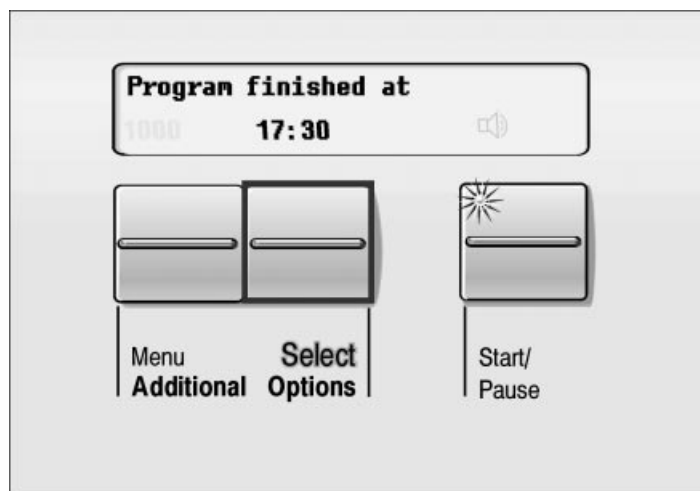
- ❑ Turn the program selector to the desired program.
- ❑ Load the laundry and close the loading door. The **Start/Pause** indicator light flashes (red).
- ❑ Select an additional option.

Example:



- ❑ Press the **Menu** button until, "Program finished at" is displayed. Current end time flashes. The **Start/Pause** indicator light flashes (red).

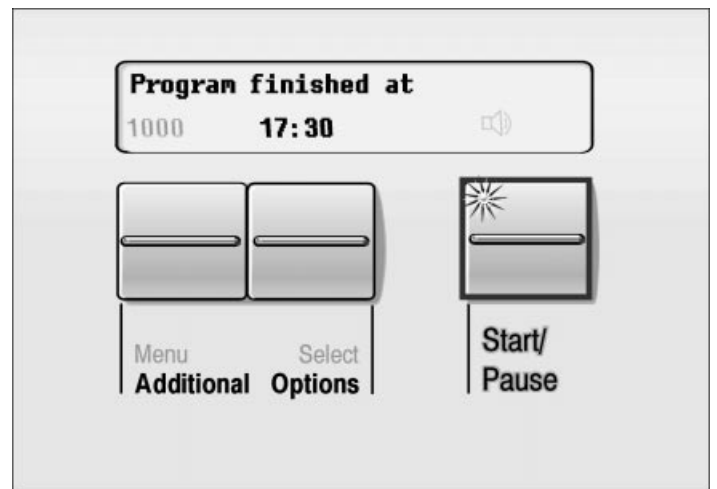
- i** The menu is being left if a button is not pressed within 10 seconds.



- ❑ Press the **Select** button until the program end time is displayed. The program end can be set in 30 minute steps. The time can be programmed up to a maximum 24 hours in advance.

- i** The end time must be reset if the program, additional options or the current time is changed.
- i** If there is a small load of lightly soiled washing, the program may end well before the selected end time. If there is a large load of heavily soiled washing, the program may end several minutes after the selected end time.

You can change other settings
or



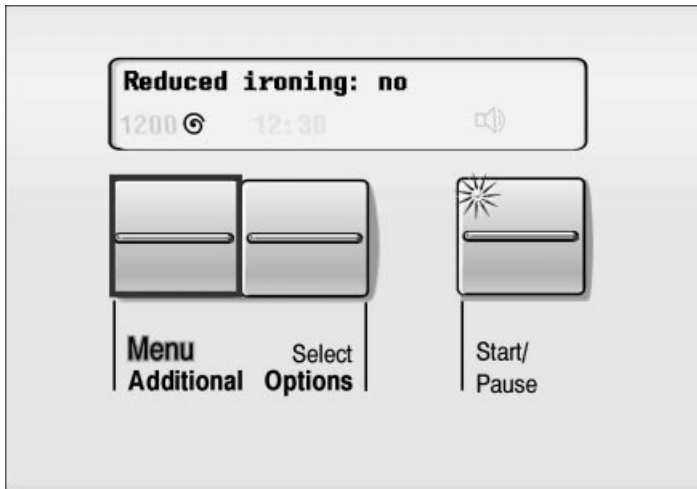
- ❑ Press the **Start/Pause** button. The delayed Start is activated. The indicator light shines. "Time delay" is indicated in the display field.
- i** To save energy, all displays are switched off 30 seconds after the buttons were last pressed. If the **Select** button is pressed, the displays are switched on again.

Reduced ironing

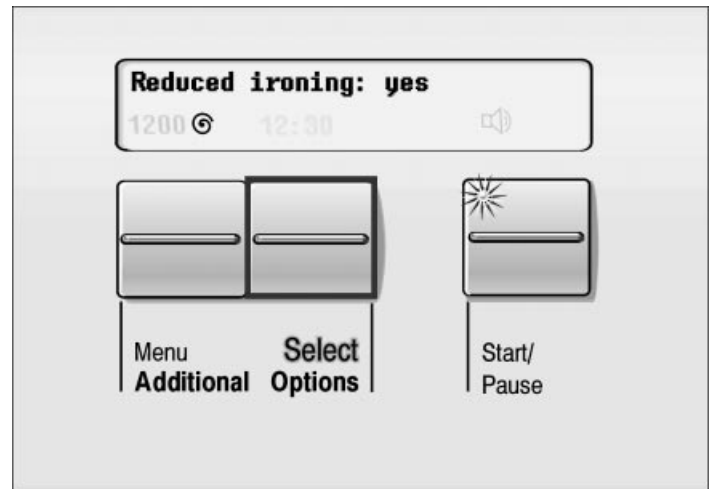
Gentler spin with subsequent fluffing. After the spin cycle the laundry is arranged loosely in the drum – creasing is reduced.

- i** Observe maximum load for each type of textile; remove the laundry as soon as the spin cycle is complete.
- Turn the program selector to the desired program.
- Load the laundry and close the door.
The **Start/Pause** indicator light flashes (red).

Example:

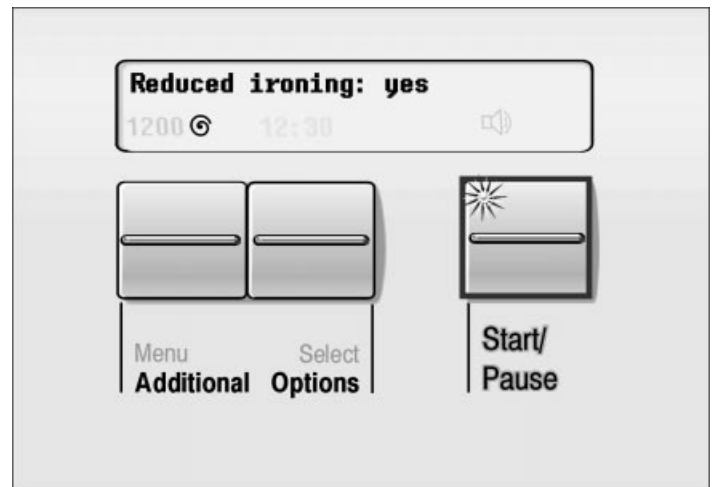


- Press the **Menu** button until “Reduced ironing:” is displayed.
The “G” symbol flashes.
The **Start/Pause** indicator light flashes (red).
- i** The menu is being left if a button is not pressed within 10 seconds.



- Press the **Select** button until “Reduced ironing: yes” or “Reduced ironing: no” is displayed.
- i** When the menu is being left with “Reduced ironing: yes” selected, the “G” symbol is permanently displayed.

You can change other settings
or



- Press the **Start/Pause** button.
The program starts.
The indicator light shines.
- i** The individual program steps are indicated in the display field.

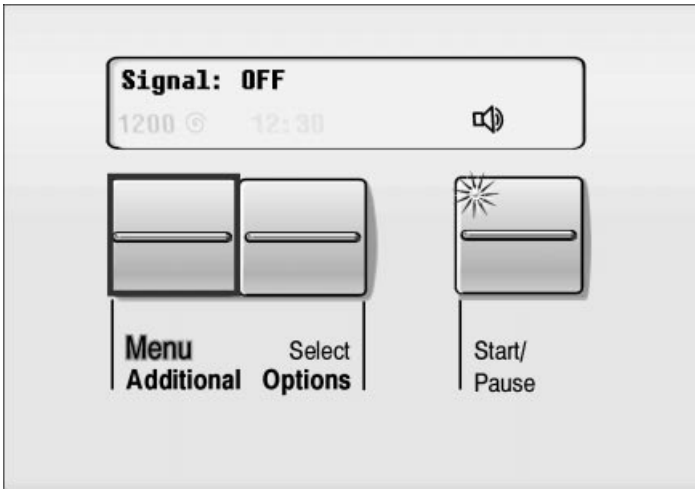
Signal


The acoustic signal indicates the start or end of the program, operating errors or malfunctions.

You can specify the volume of the acoustic signal.

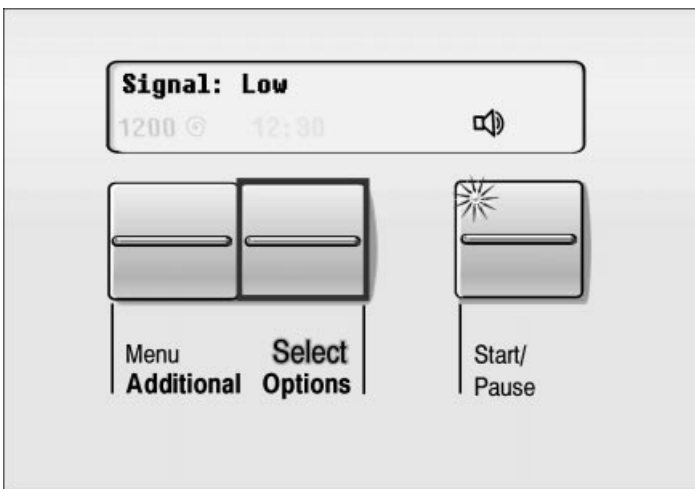
- Turn the program selector to the desired program.
- Load the laundry and close the loading door.
The **Start/Pause** indicator light flashes (red).

Example:



- Press the **Menu** button until “Signal:” is displayed.
The “” symbol flashes.
The **Start/Pause** indicator light flashes (red).

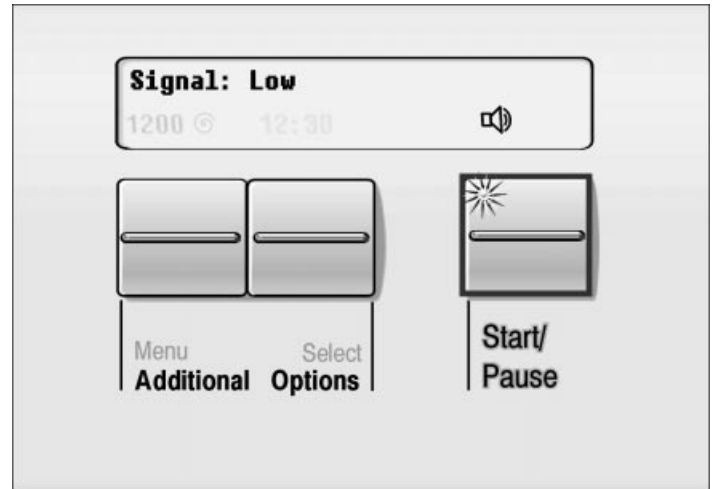
- i** The menu is being left if a button is not pressed within 10 seconds.



- Press the **Select** button until the desired signal volume is displayed.

- i** The selected setting is retained after the washing cycle.

You can change other settings or



- Press the **Start/Pause** button.
The program starts.
The indicator light shines.
- i** The individual program steps are indicated in the display field.

Child lock

You can secure your washing machine to prevent selected functions from being inadvertently changed.

If the child lock has been selected:

- No changes can be made while the program is running,
- Should the appliance be switched off and on while a program is running the program will continue at the point at which it was interrupted,
- The door remains locked at the end of the program,
- Directly after the appliance is switched on – provided no program was active the last time the appliance was switched off – all control elements are disabled and the door is locked.

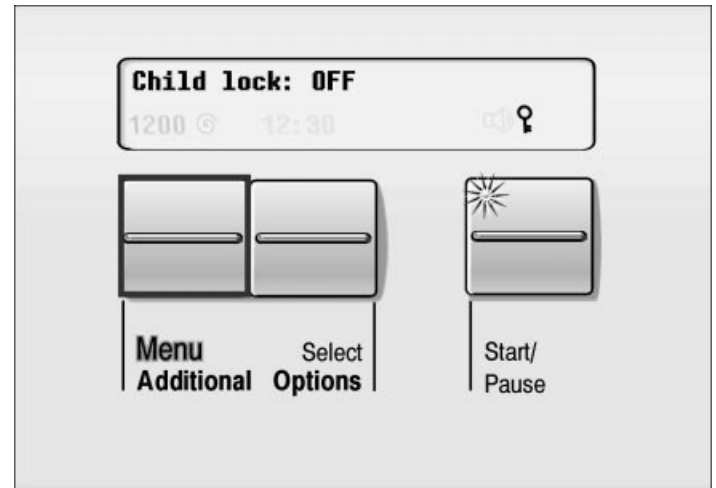
i If the child lock is active and the program selector is rotated while a program is running, the indicator light of the program selector is turned off. The indicator light illuminates again when the program selector is returned to its original position.

i When a program has started, you can activate the child lock in “Pause” mode only.

Activating the child lock

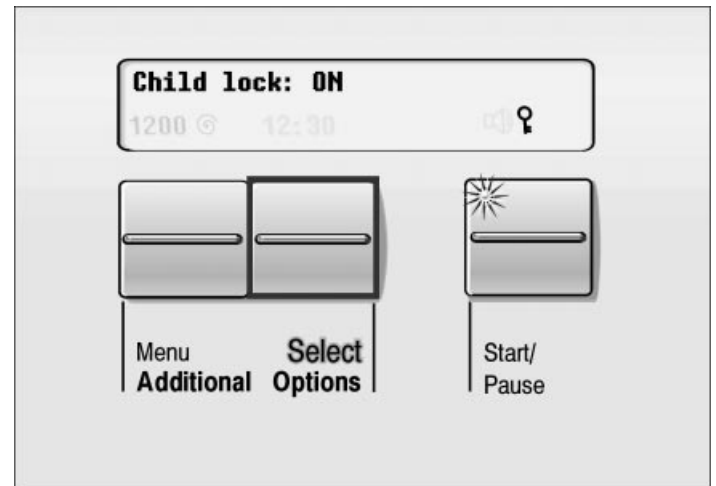
- ❑ Turn the program selector to the desired program.
- ❑ Load the laundry and close the loading door. The **Start/Pause** indicator light flashes (red).

Example:



❑ Press the **Menu** button until “Child lock: OFF” is displayed. The “?” symbol flashes.

i The menu is being left if a button is not pressed within 10 seconds.

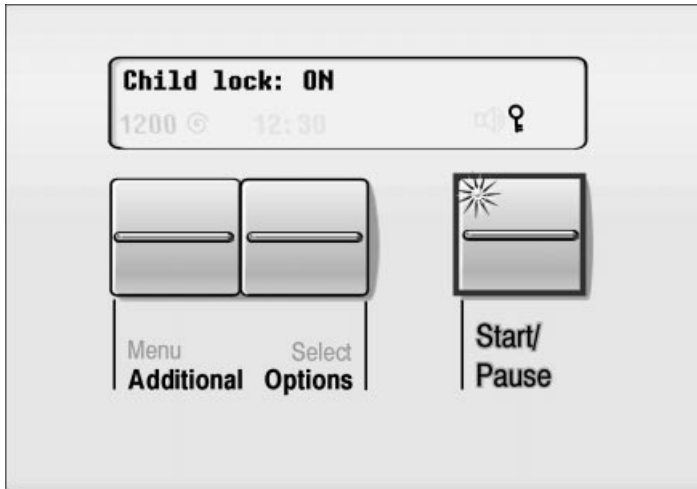


❑ Press the **Select** button until “Child lock: ON” is displayed.

i When the menu is left, the “?” symbol is permanently displayed.

i The child lock is not activated until the **Start/Pause** button is pressed. The **Start/Pause** indicator light is permanently illuminated (yellow).

You can change other settings
or



- Press the **Start/Pause** button.
The program starts.
The indicator light shines (yellow).
The child lock is activated.
- i** The individual program steps are indicated in the display field.

Deactivating temporarily the child lock

- Press the **Start/Pause** button and hold down (5 seconds) until the **Start/Pause** indicator light flashes.
- i** When "Pause" is displayed, the child lock is temporarily deactivated.
- i** When the **Start/Pause** button is pressed again, the child lock is re-activated.

Deactivating permanently the child lock

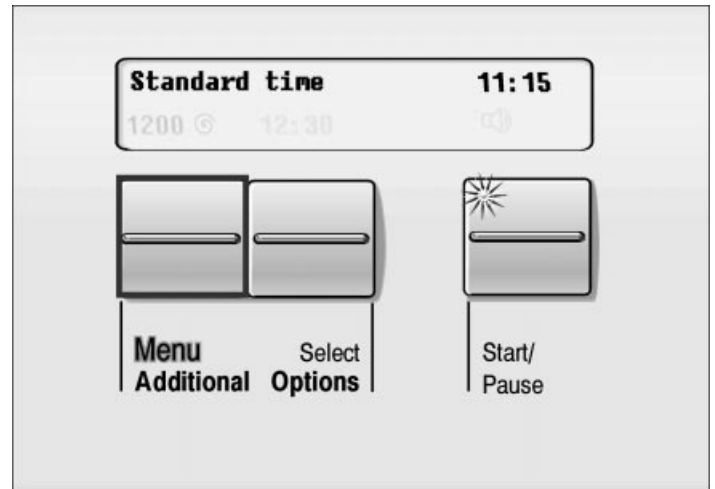
- If required, press the **Start/Pause** button and hold down (5 seconds) until the **Start/Pause** indicator light flashes.
- Press the **Menu** button until "Child lock: ON" is displayed.
The "?" symbol flashes.
- Press the **Select** button until "Child lock: OFF" is displayed.

Standard time/Daylight-saving time

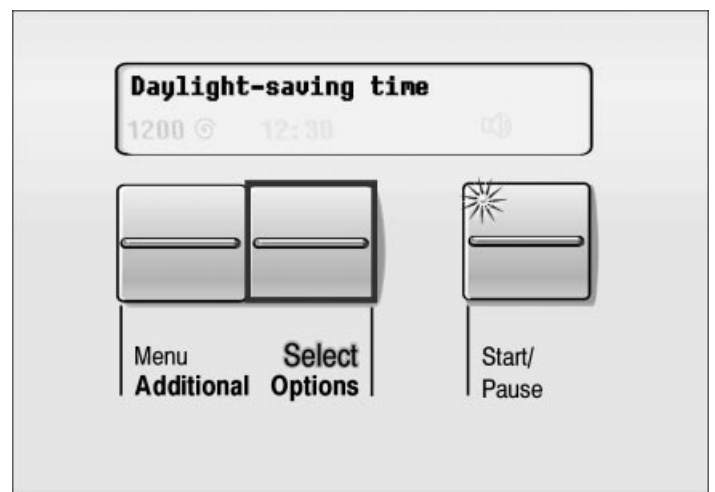
You can switch from winter to Daylight-saving time.

- Turn the program selector to the desired program.
- Load the laundry and close the loading door.
The **Start/Pause** indicator light flashes (red).

Example:

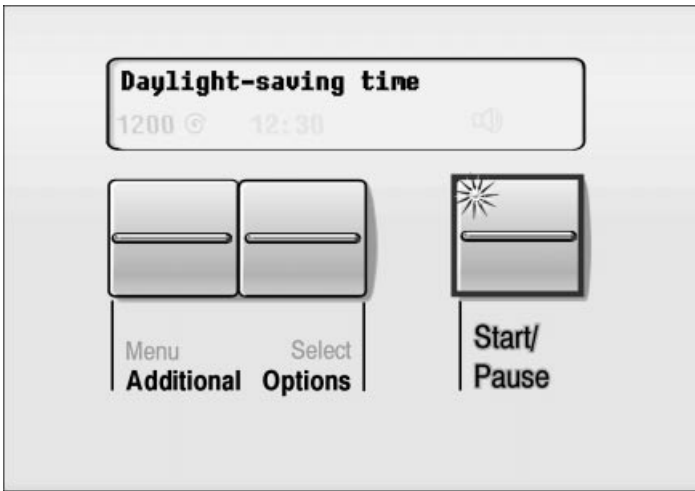


- Press the **Menu** button until "Standard time" or "Daylight-saving time" is displayed.
The **Start/Pause** indicator light flashes (red).
- i** The menu is being left if a button is not pressed within 10 seconds.



- Press the **Select** button and select "Daylight-saving time" or "Standard time".
- i** The selected setting is retained after the wash cycle.

You can change other settings
or



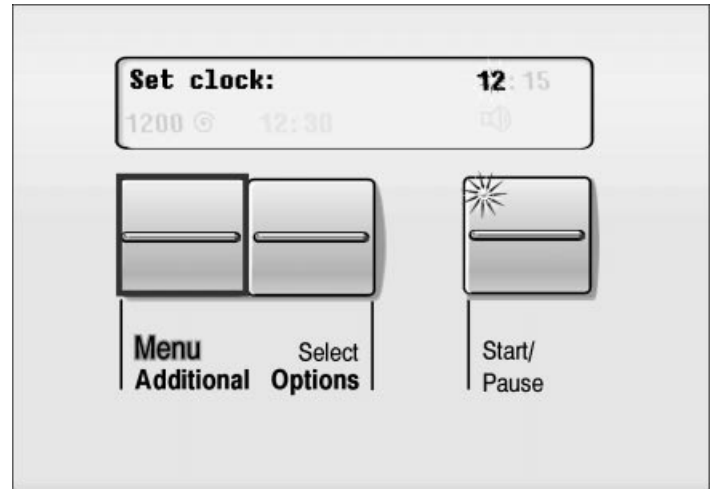
- Press the **Start/Pause** button.
The program starts.
The indicator light shines.
- i** The individual program steps are indicated in the display field.

Set clock

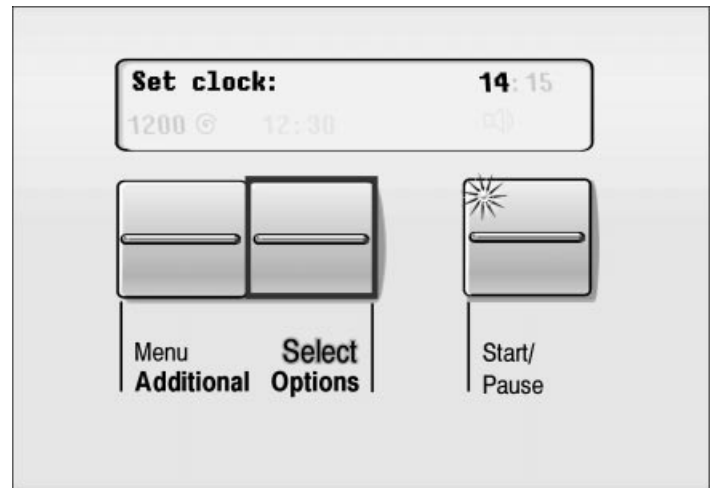
You can set the current time. The settings are retained even if your washing machine is not used for up to 6 weeks.

- Turn the program selector to the desired program.
- Put in the laundry and close the loading door.
The **Start/Pause** indicator light flashes (red).

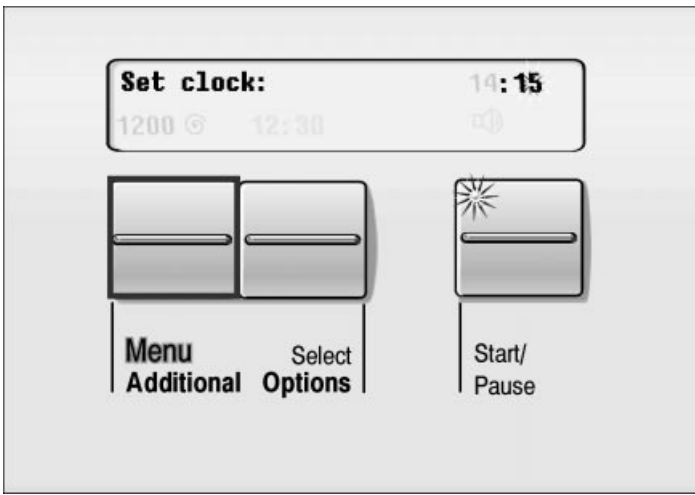
Example:



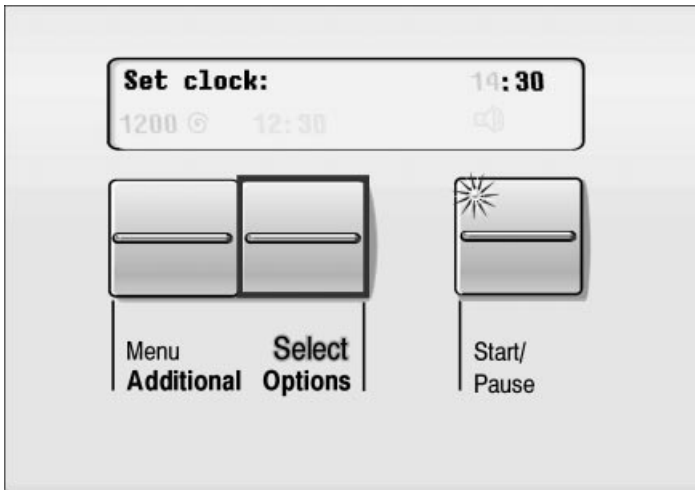
- Press the **Menu** button until "Set clock:" is displayed.
The hour display flashes.
The **Start/Pause** indicator light flashes (red).
- i** The menu is being left if a button is not pressed within 10 seconds.



- Press the **Select** button until the hour display is correct.

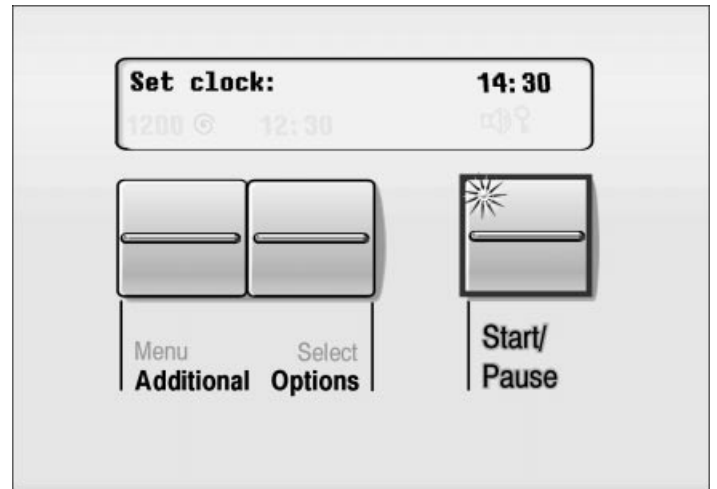


- ❑ Press the **Menu** button until the minute display flashes.
The **Start/Pause** indicator light flashes (red).



- ❑ Press the **Select** button until the minute display is correct.
The time is now set.
- i** Press the **Menu** button, the menu function ends.

You can change other settings
or



- ❑ Press the **Start/Pause** button.
The program starts.
The indicator light shines (red).
- i** The individual program steps are indicated in the display field.

Resetting the settings

You can reset all changed settings to the standard settings except time and language.

- ❑ Turn the program selector to the desired program.
- ❑ Press the **Select** button and hold down (3 seconds) until the second acoustic signal is emitted.
- i** The standard settings have now been selected. These are:
 - Spin speed: maximum
 - Reduced ironing: no
 - Signal: High
 - Child lock: OFF
- i** The “Resetting the settings” function is not available while the washing program is running, while the child lock has been activated or when **Menu** button has been pressed.

During Washing

Reselecting a program

- ❑ If the child lock is active, temporarily deactivate it; see page 23.
- ❑ Turn the program selector to **Off**.
- ❑ Turn the program selector to a newly selected program.
The **Start/Pause** indicator light flashes.
- ❑ If the child lock is active, deactivate again temporarily.
- ❑ If required, change the settings; see from Page 17.
- ❑ Press the **Start/Pause** button.
The program starts.
The indicator light shines.

Topping up the washing/ Interrupting the program

You can put laundry in the drum later, take laundry out of the drum early or interrupt the program at any time.

- ❑ **i** It is not recommended to add laundry after the washing phase is complete.

Without child lock

- ❑ **i** You can top up or reduce laundry as long as the **Start/Pause** indicator light shines (red).
- ❑ Press the **Start/Pause** button.
In the display it successively is indicated:
“Pause”,
“Door can be opened”.
- ❑ Open the loading door.
- ❑ Put in/remove the laundry.
- ❑ Close the loading door.
- ❑ Press the **Start/Pause** button.
The program continues.
The indicator light shines (red).
- ❑ **i** When the **Start/Pause** indicator light shines (yellow), the program can be interrupted, however the door cannot be opened for reasons of safety (water level, temperature or speed too high).
In the display it successively is indicated:
“Pause”,
“Door cannot be opened”.
- ❑ **i** If the speed is too high, the **Start/Pause** indicator light shines (yellow). Putting in laundry is possible in “Pause” mode when the drum is at a standstill.

Child lock activated

- Temporarily deactivate the child lock.
See Page 23.
- i** If the **Start/Pause** indicator light flashes (yellow), the door cannot be opened for reasons of safety (water level, temperature or speed too high).
In the display it successively is indicated:
“Pause”,
“Door cannot be opened”.
- i** If the **Start/Pause** indicator light flashes (red), the laundry can be topped up or removed prematurely.
In the display it successively is indicated:
“Pause”,
“Door can be opened”.
- Open the loading door.
- Put in/remove the laundry.
- Close the loading door.
- Press the **Start/Pause** button.
Program continues.
Child lock is re-activated.
The indicator light shines (yellow).

Canceling active program

If you would like to terminate a program and remove the laundry:

- If the child lock is active, temporarily deactivate; see Page 23.
- Turn the program selector to **Drain** or **Spin**.
- i** If a program is interrupted at a high temperature, leave the laundry to cool down until glass is not hot to the touch.
- Press the **Start/Pause** button.
- Wait until the program ends.
- If the child lock is active, deactivate again temporarily; see Page 23.
- Open the loading door.
- Unload the laundry.
- i** If a program is interrupted at a high temperature, the door may remain locked until the appliance has cooled down.
- i** If the program is terminated by switching off the appliance, the door may remain locked.

Soaking

The **Soak** setting is used to pre-treat heavily stained items:

- Load laundry of the same color.
- Add the soaking agent to chamber **I** according to the manufacturers specifications.
- Turn the program selector to **Soak**.
The **Start/Pause** indicator light flashes (red).
- Press the **Start/Pause** button.
The program starts.
The indicator light shines (red).
- i** The soak cycle lasts 2 hours with the temperature held at 95 °F/32 °C . It is ended with a short spin cycle. All the water is pumped out.

Bleaching

WARNING

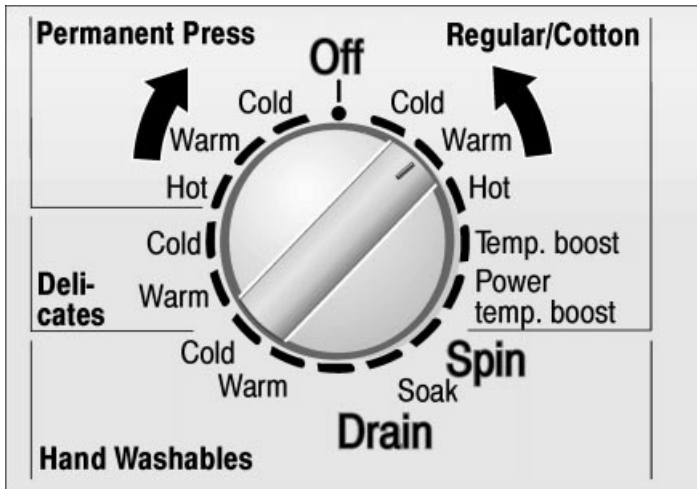
DO NOT use liquid chlorine bleach in this machine. A powder oxygen based bleach or non-chlorinated based products are acceptable.

Decolorizing

CAUTION

Decolorants may contain sulphur or chlorine. These substances can cause parts of the washing machine to corrode. Do not decolorize items of laundry in the washing machine.

After Washing

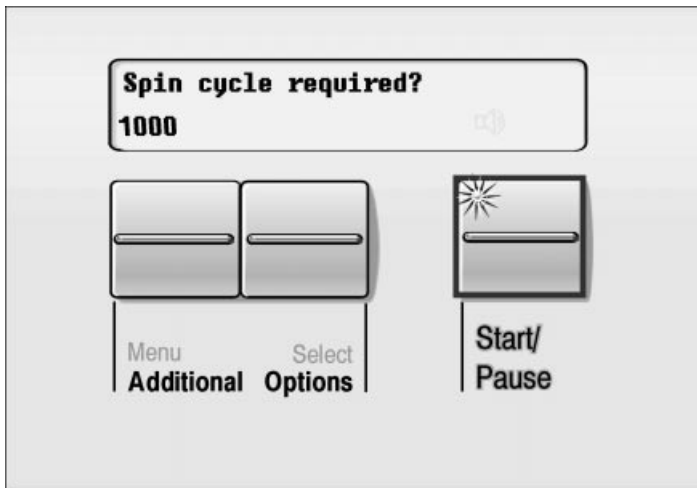


The **Start/Pause** indicator light goes out.
Display field: "Remove laundry".

- Open the loading door.
- Turn the program selector to **Off**.

or

"No final spin" preselected



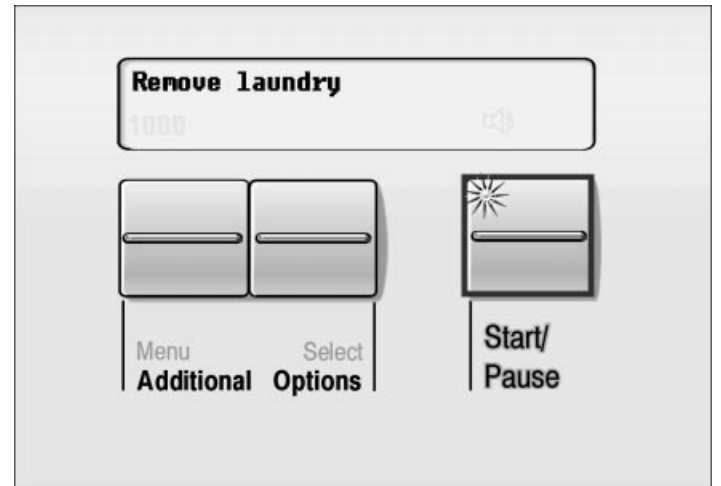
The **Start/Pause** indicator light flashes.

- If required, change the spin speed; see from Page 18.
- Press the **Start/Pause** button.
The program starts. The program progress is indicated in the display field.
The indicator light shines.

or

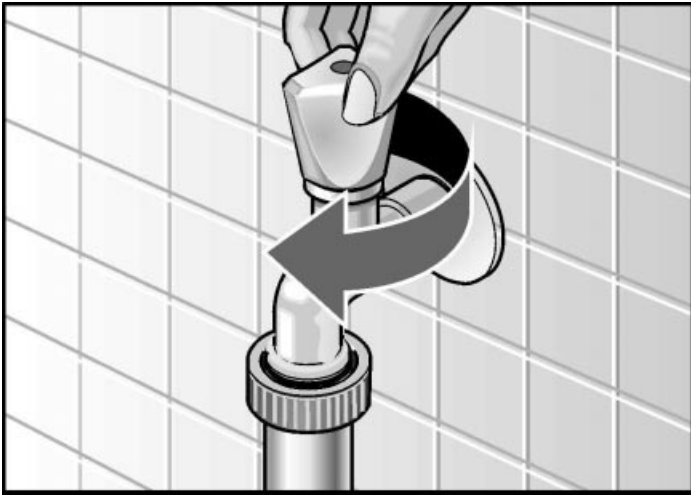
- Turn the program selector to **Drain**.
The **Start/Pause** indicator light flashes.
- Press the **Start/Pause** button.
The indicator light shines.
Display field: "Draining water".
- When the additional program has ended, open the door.
- Turn the program selector to **Off**.

"Child lock: ON" preselected



The **Start/Pause** indicator light is on (yellow).
Display field: "Remove laundry".

- Press and hold down the **Start/Pause** button (5 seconds) until "Pause" is displayed.
The **Start/Pause** indicator light flashes (red).
- Open the loading door.
- Turn the program selector to **Off**.



- Turn off the water tap.



- Unload the laundry.

- i** The child lock is reactivated as soon as the appliance is switched on again.

CAUTION

Occasionally check for any foreign objects (e.g. coins, paper clips) from the drum and rubber seal) – **risk of rust!**

- Leave the loading door open to allow the inside of the washing machine to dry out.

Emergency Lock Release

When the emergency lock release has been pulled, the loading door can be opened and the laundry taken out of the drum.



RISK OF SCALDING!

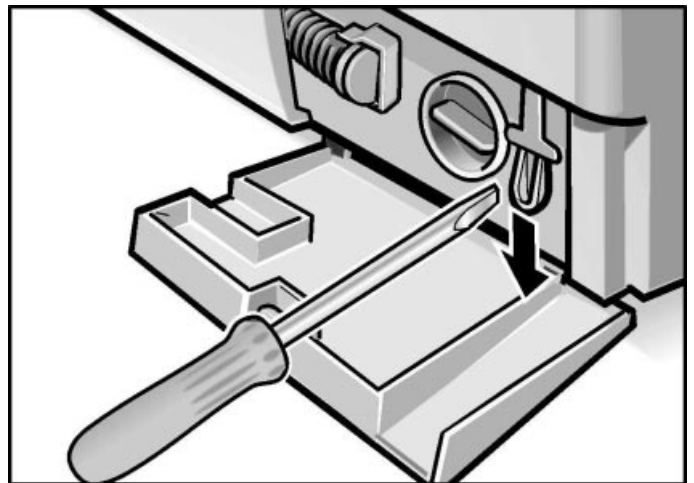


Allow the hot washing solution to cool.
Wait until the drum has come to a standstill.

CAUTION

The door can be unlocked at any time, even if the washing machine is full of water; never open the door if you can see water through the window.

- Turn the program selector to **Off**.
Any running program is interrupted.
- Drain the water; see Page 31.



- Pull the emergency lock release,
The loading door can be opened.

User Maintenance Instructions

Cleaning and Care



RISK OF ELECTRIC SHOCK!



Always disconnect the appliance from the mains before cleaning.

Never clean the washing machine with a jet of water.



RISK OF EXPLOSION!



Never use solvents to clean the appliance.

Cleaning the appliance housing and control panel

As required:

- Use hot soapy water or a mild, non-abrasive cleaning agent.
- Rub dry with a soft towel.

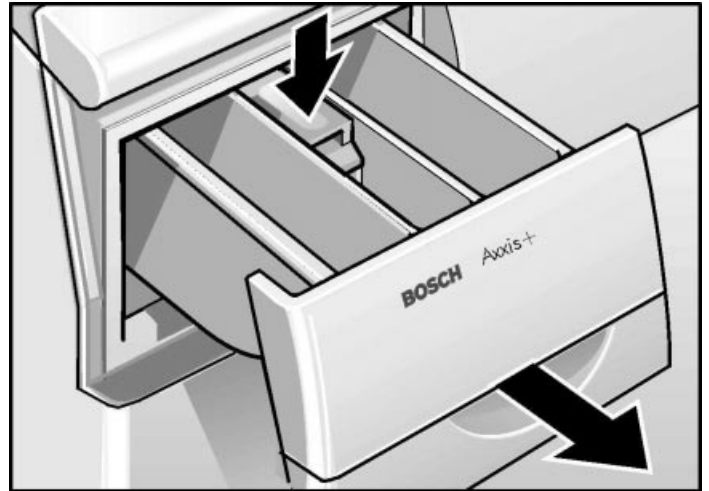
Cleaning the drum

In the event that rust spots have formed due to left-over debris (e.g. coins, paper clips, needles, nails):

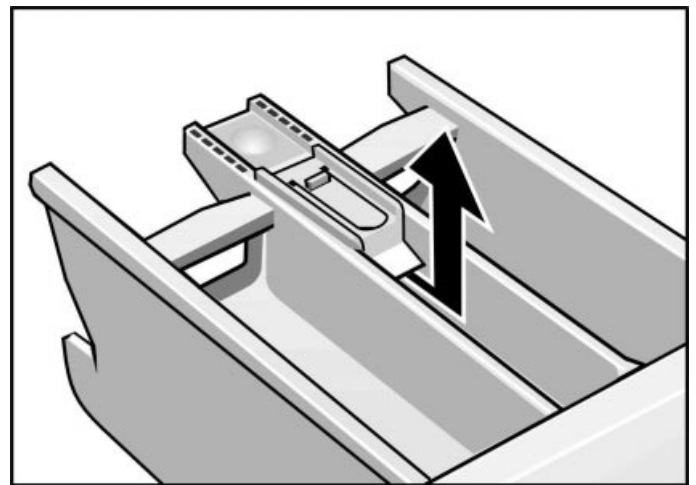
- Use a chlorine-free cleaning agent. Follow the manufacturer's instructions. Never use steel wool.

Cleaning the detergent dispenser

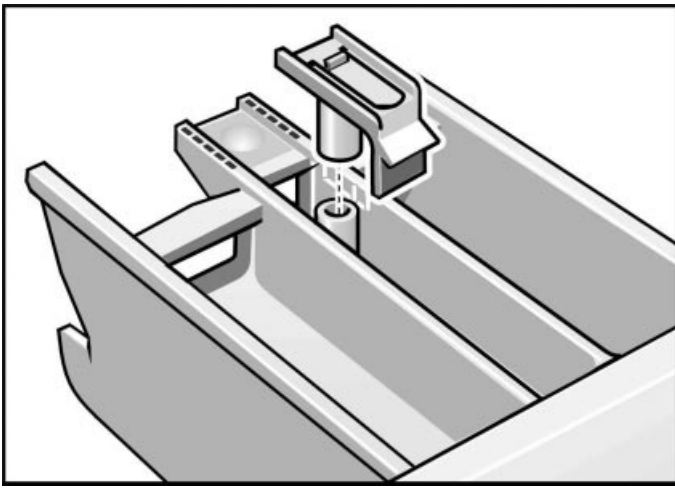
In case residual detergents or additives have accumulated:



- Pull out the detergent dispenser up to the final stop,
- Press down the insert and
- Remove the detergent dispenser.



- Pull out the insert.
- Clean the detergent dispenser and the insert under running water and dry them afterwards.



- Attach the insert and lock into position.
- Insert the detergent dispenser.

Cleaning the drain pump

This is necessary if the water cannot be drained completely. The pump is either blocked by loose debris or lint which accumulates if lint-giving fabrics are washed.

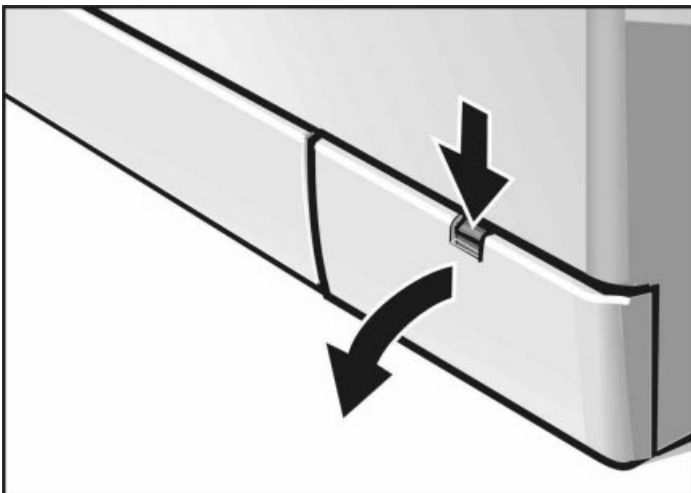
Draining the water

Up to 20 litres/4.4 gal. Have a suitable container ready.

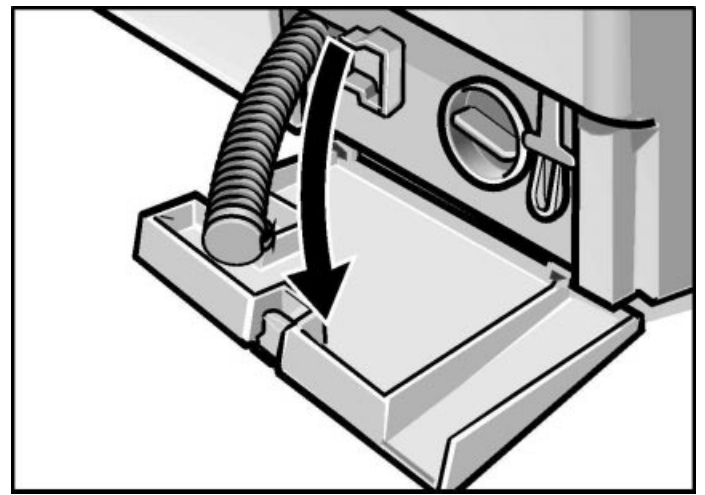
⚠ RISK OF SCALDING! ⚠

Allow the hot water to cool.
Keep children and pets away from the washing machine.

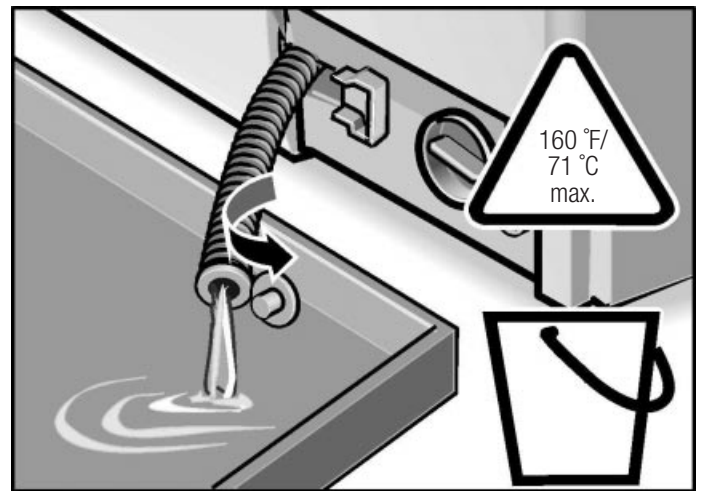
- Turn the program selector to **Off**.



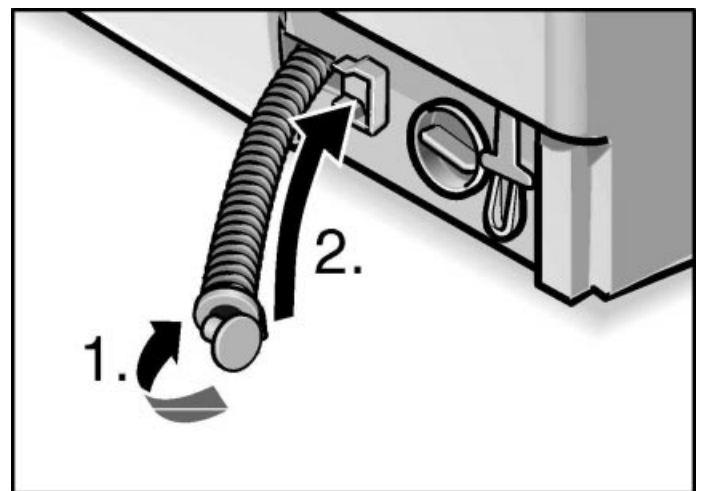
- Fold down the cover panel.



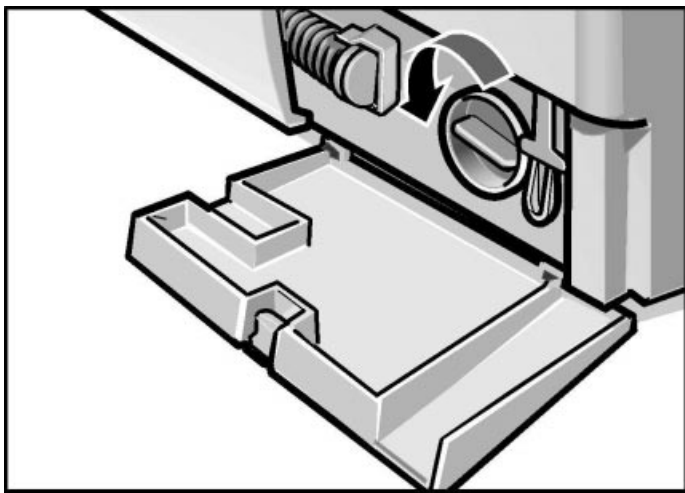
- Remove the drain hose from its holder and pull it out of the housing.



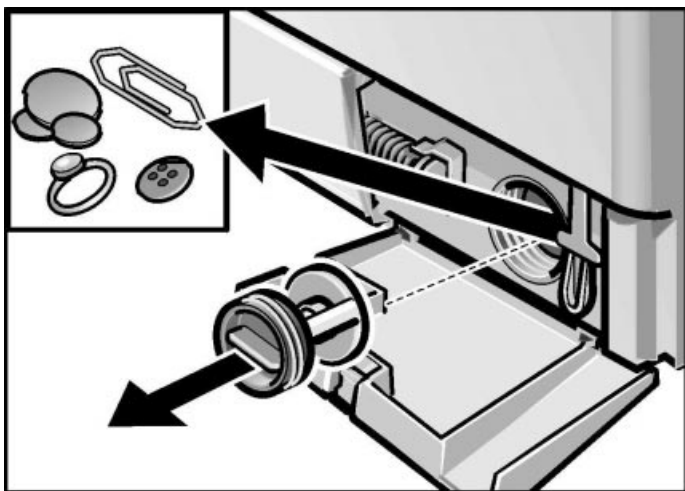
- Pull the cap off and allow the water to flow into a suitable container.



- First close the cap again and place the drain hose back in its holder afterwards.

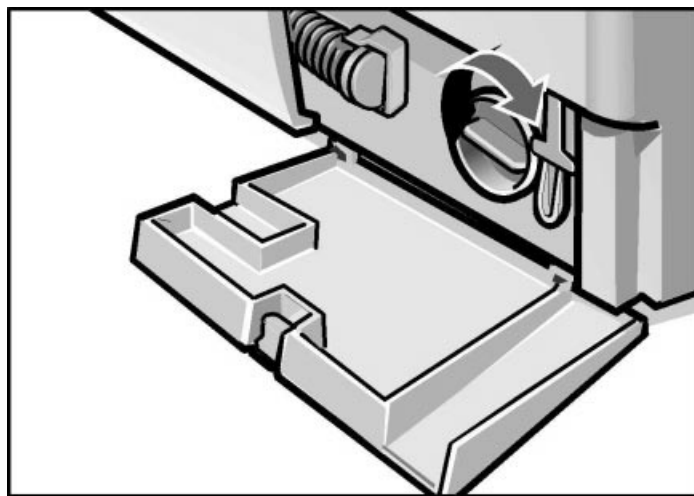


- ❑ Carefully remove the pump cap.



- ❑ Remove any loose debris/lint from inside the pump and clean the pump. The pump impeller must be able to rotate. Clean any remaining water or lint from the threads of the pump cap and pump housing.

- ❑ Attach and tighten the pump cap.



- ❑ Attach and close the cover plate.

To prevent unused detergent from flowing into the drain during the next wash cycle:

- ❑ Pour 1 litre/1 ¾ pt of water into chamber II.
- ❑ Select the **Drain** program.

Cleaning water inlet strainers

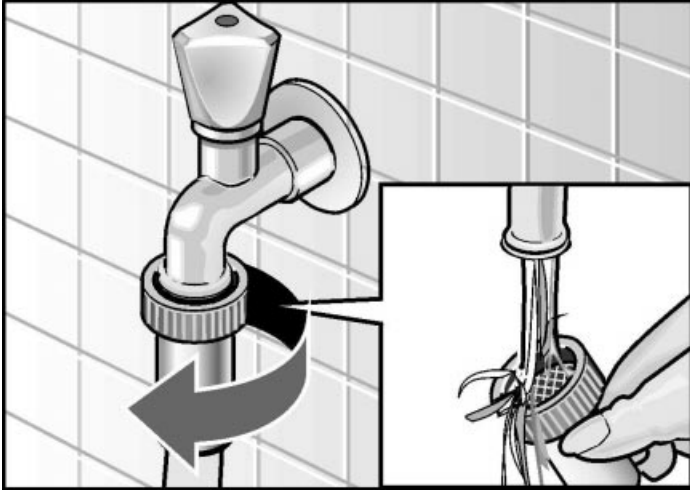
This is necessary if very little or no water flows into the washing machine.

First release the water pressure in the supply hoses:

- ❑ Turn off the water taps.
- ❑ Turn the program selector to any program (except **Spin** or **Drain**).
- ❑ Press **Start/Pause** button and wait for “Water tap closed?” message.
- ❑ Turn the program selector to **Off**.

Cleaning the strainer(s) at the water tap

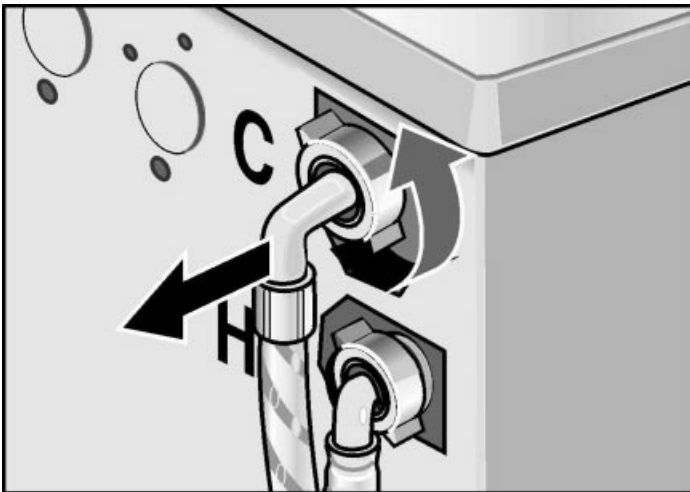
On both the hot and cold water tap:



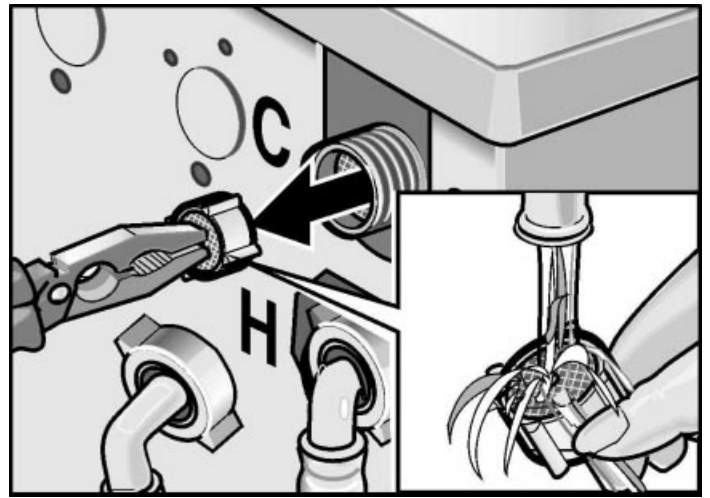
- ❑ Disconnect the hose from the water tap.
- ❑ Rinse the strainer under flowing water.
- ❑ Reconnect the hose.

Cleaning the strainers on the washing machine

On both the hot and cold water tap:



- ❑ Disconnect the hose from the back of the washing machine.



- ❑ Pull out the strainer and rinse under running water.
- ❑ Insert the strainer and reconnect the hose.
- ❑ Turn on the water tap and check whether water is still discharged. If water is still discharged, check that the strainer is attached properly.
- ❑ Turn off the water tap.

Descaling the washing machine

CAUTION

Descaling agents contain acids which can attack parts of the washing machine and discolor the laundry.

Provided that you use the correct amount of detergent, it is not necessary to descale the washing machine.

If, however, descaling the appliance becomes necessary, please follow the instructions provided by the descaling agent manufacturer.

Customer Service

The washing machine requires no special care other than the care and cleaning noted above. If you are having a problem with your washing machine, before calling for service please refer to page 35.

If service becomes necessary, contact your dealer or installer or an authorized service center. Do not attempt to repair the appliance yourself. Any work performed by unauthorized personnel may void the warranty.

If you are having a problem with your washing machine and are not pleased with the service you have received:

- ❑ First, please contact your installer or the Authorized Service Contractor in your area and explain to them why you are not satisfied. This will usually correct the problem.
- ❑ If after working with your installer or service persons the problem still has not been resolved to your satisfaction, please let us know by either writing to us at

BSH Home Appliances
5551 Mc Fadden Ave.
Huntington Beach, LA 92649

or calling us at

1-800/944-2904



Please be sure to include, if writing, or have available, if calling, the following information:

- Model Number
- Serial Number
- Date of Original Purchase
- Date Problem Originated
- Explanation of Problem

Also, if writing, please be sure to include a daytime telephone number and a copy of sales invoice.

You will find the model number and serial number information on the rating plate located on the inside of the door above the door glass.

Troubleshooting of Minor Faults


RISK OF ELECTRIC SHOCK!


Repairs must only be carried out by our Customer Service or an authorized technician.

If repairs are necessary, and you cannot eliminate the fault yourself with the aid of the following table:

- Turn the program selector to **Off**.
- Disconnect the washing machine from the mains.
- Turn off the water tap.
- Call Customer Service (refer to Page 34).

Fault	Possible cause	Action
The loading door cannot be opened.	“No final spin” selected.	Select Drain or Spin .
	Child lock activated.	Deactivate child lock, see Page 23.
	Power failure.	An interrupted program will be resumed when power returns. If the laundry is to be removed during a power failure, proceed as described under “Emergency lock release”; see Page 29.
	Program is running and/or the door is locked for reasons of safety.	Wait until the program ends; see Page 26.
	Plug is loose or not inserted.	Eliminate the cause.
	Program selector turned to Off before end of program.	Select a program.
Door cannot be opened, even though the appliance has been switched off and on again.	Child lock activated.	Deactivate child lock, see Page 23.
Door cannot be opened, even though the appliance has been switched off and on again.	For reasons of safety the door has been locked because the water level, temperature or speed is too high.	See “Topping up the laundry/Interrupting the program”, Page 26.
Program continues running, even though the appliance has been switched off and on again.	Child lock activated.	Deactivate child lock, see Page 23.
Appliance cannot be operated. “Child lock activated” is indicated in the display field.	Child lock activated.	Deactivate child lock, see Page 23.

Fault	Possible cause	Action
Control lights do not shine.	A fuse has triggered.	Switch on/replace the fuse.
	Power failure.	Call Customer Service if this fault is repeated.
	Appliance is in energy-saving mode. This is not a fault.	An interrupted program will be resumed when power returns. If the laundry is to be removed during a power failure, proceed as described under "Emergency lock release"; see Page 29.
Program does not start. Start/Pause indicator light flashes.	Start/Pause button not pressed.	Press the Start/Pause button.
Program does not start. "Door open?" indicated in the display field.	Loading door not closed properly.	Check whether laundry is trapped in door.
	End time selected but still not activated by pressing the Start/Pause button.	Close the loading door (a click should be heard). Program continues.
"Press start" is indicated in the display field.	End time selected and activated.	Press the Start/Pause button.
Program does not start. "Time delay" is indicated in the display field.	Program has already started; when a program has started, the clock cannot be set.	None. Appliance starts automatically.
Clock cannot be set.	The setting has switched from hours to minutes; both selection points have the same text.	Wait until program ends.
"Set clock:" text remains in the display field even though the Menu button has been pressed.	Clock not set.	None.
"--:--" is displayed instead of the end time in the display field.	Program has already started; when a program has started, the end time can no longer be selected.	Set clock; see Page 24.
End time cannot be selected.	Reselect program; see Page 26. Before starting the program, select and start the desired end time; see Page 19.	Set clock; see Page 24.

Fault	Possible cause	Action
Spin speed cannot be selected.	Spinning is already in progress; during spinning the speed cannot be changed.	Select speed before spinning.
	Program selector is set to Drain ; spinning is not possible with this program.	If required, select another program.
Child lock cannot be selected.	The program has already started.	Child lock can be selected in pause mode.
Detergent residue in the detergent dispenser.	Detergent was damp or lumpy.	Clean and dry the detergent dispenser; see Page 30.
		Use the dispensing aid for liquid detergents.
Water does not enter the machine or detergent is not washed away. "Water tap closed?" indicated in the display field.	Water tap not turned on.	Turn on water tap. Program continues.
	Supply hose kinked or trapped.	Eliminate the cause.
	Strainers in supply hose clogged.	Clean the filter; see Page 32.
	Water pressure too low.	Eliminate the cause.
Water cannot be seen in drum.	This is not a fault.	
	The water lies below the visible part of the drum.	
Washing solution is not completely drained. "Pump blocked?" indicated in the display field.	Loose debris is blocking the pump.	Clean the pump (refer to Page 31).
	The water drainage pipe and/or drain hose is blocked.	Clean the water drainage pipe and/or drain hose.
Water is flowing out from underneath the machine.	The thread of the supply hose is not tight.	Tighten the thread.
	Leak in the drain hose.	Replace the drain hose.
Foam coming out of the detergent dispenser.	Too much detergent.	Mix 1 tablespoon of fabric softener with ½ litre/1 pt of water and pour into chamber II of the detergent dispenser.
		Reduce the amount of detergent next time.
Repeated spinning.	This is not a fault. The imbalance compensation system is attempting to balance the load through repeated spins.	Always load large and small items together into the drum.
The laundry was not spun.	Large items of clothing became entangled and could not be distributed evenly in the drum. For reasons of safety the high-speed spin cycle was automatically suppressed.	Always load large and small items together into the drum.

Fault	Possible cause	Action
Program duration extended.	This is not a fault. The foam detection feature has activated an additional rinsing cycle to reduce the amount of foam.	Add a more appropriate amount of detergent next time.
	This is not a fault. The imbalance compensation system is attempting to balance the load through repeated spins.	Always load large and small items together into the drum.
Unsatisfactory washing result.	The degree of soil was higher than estimated.	Select suitable program or Power Wash as an additional option.
	Not enough detergent.	Add detergent according to the manufacturer's specifications.
Detergent residue on the laundry.	Some phosphate-free detergents contain water-insoluble residues that may appear as light spots on the laundry.	Brush off spots when laundry is dry.
Grey residues on the laundry.	Dirt accumulation from ointments, fats or oils.	Add the maximum amount of detergent and select the highest permissible temperature next time.

Fault displays

Text in display field	Possible cause	Action
"Water tap closed?"	Water tap not turned on.	Turn on water tap. Program continues.
	Supply hose kinked or trapped.	Eliminate the cause.
	Strainer in supply hose clogged.	Clean the filter; see Page 32.
	Water pressure too low.	Eliminate the cause.
"Pump blocked?"	Loose debris is blocking the pump.	Clean the pump (refer to Page 31).
	The water drainage pipe and/or drain hose is blocked.	Clean the water drainage pipe and/or drain hose.
"Door open?"	Loading door not closed properly.	Check whether laundry is trapped in door. Close the loading door.

If the fault cannot be eliminated with the aid of the above table: switch the appliance off, wait 5 seconds, switch the appliance on again, select and start the program.

If the fault recurs, call customer service; see Page 34.

Installation, Connection and Transportation

Safety information

⚠ RISK OF INJURY! ⚠

The washing machine is heavy. Lift with caution.

CAUTION

Frozen hoses can tear/burst. Do not install the washing machine outdoors or in an area exposed to frost.

Be sure to observe all listed warnings and cautions.

These installation instructions are intended for use by qualified installers. In addition to these instructions the washer shall be installed:

- In the United States, in accordance with the National Electric Code, ANSI/NFPA70 ~ latest edition/State and Municipal codes and/or local codes.
- In Canada, in accordance with the Canadian Electric Code C22.1 ~ latest edition/State and Municipal codes and/or local codes.

If the washing machine is located in a room which will be exposed to temperatures below the freezing point, or if it is located in a cabin that is being shut down for the winter, any residual water in the pump or water inlet hose(s) must be drained.

To drain the pump refer to page 31.

To drain the water hose(s) refer to page 32.

Take care not to damage the washing machine. Do not hold onto protruding parts (e.g. loading door) when lifting.

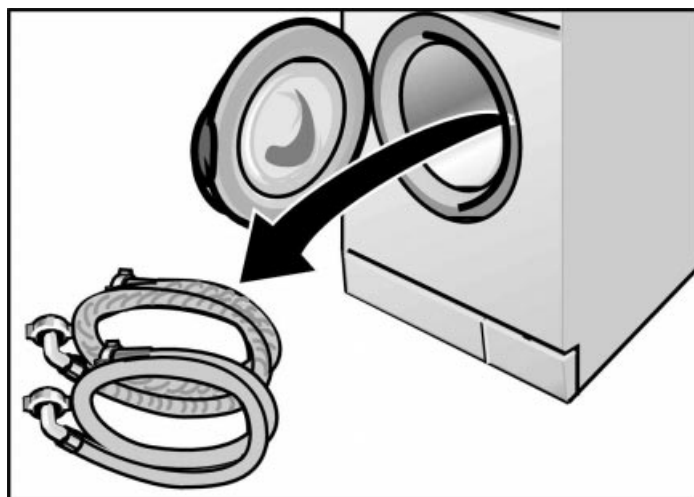
In addition to the safety information listed here, the local water and electricity supplier may have special requirements.

In case of doubt, have the appliance connected by an authorized technician.

Factory-supplied equipment

There is a packet of accessory parts supplied with your washer. Check to make sure that all the accessory parts supplied for your model are there. If any parts are missing contact your dealer immediately.

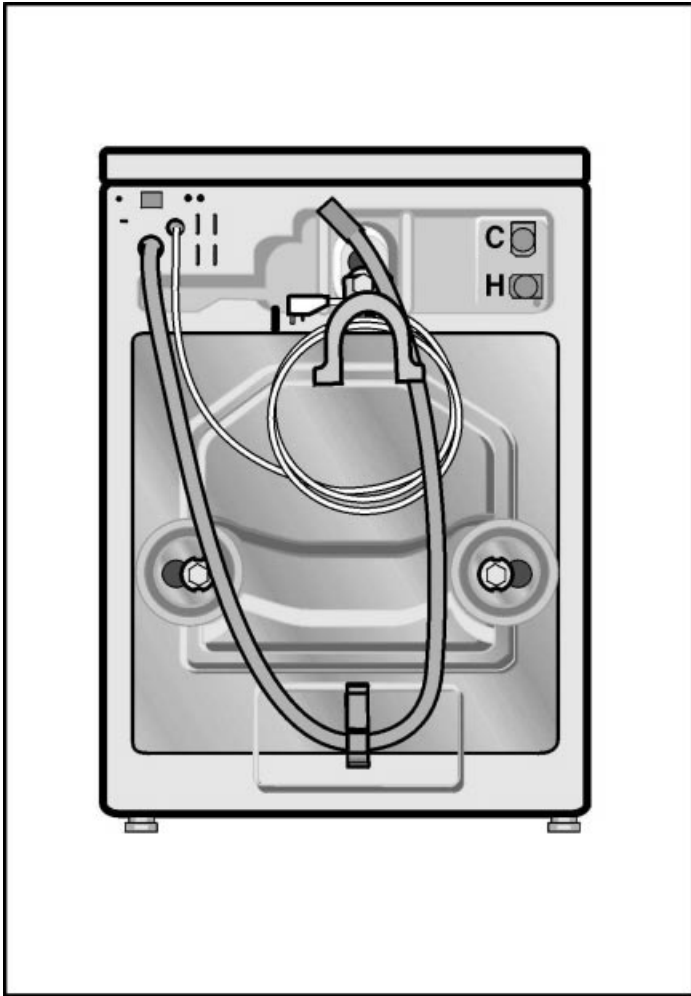
Inside the drum:



- Water supply hoses (cold and hot water).

Any dampness left inside the drum was caused by the final testing which every washing machine is subject to before leaving the factory.

On the rear of the appliance:

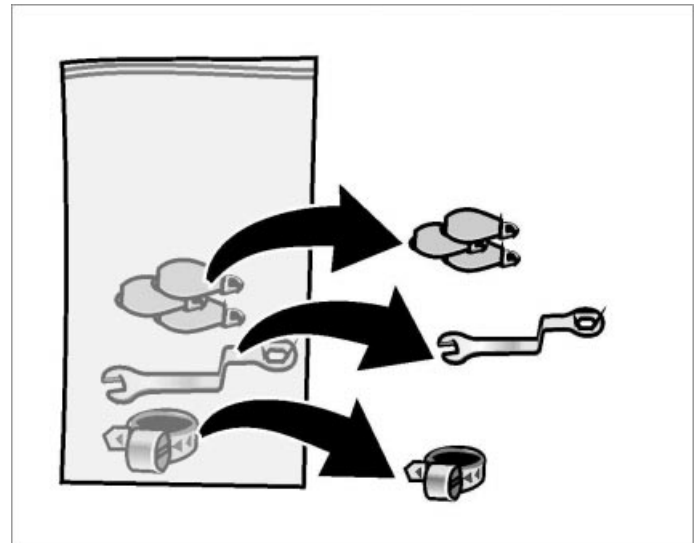


- Water drain hose.
- Mains cable with plug.
- Elbow for attaching the drain hose, e.g. into a wash basin.

C = cold water connection

H = hot water connection

The bag contains:



- Covers to be placed over the holes for the transport bolts (after removing it).
- Wrench
- 1 hose band clip for connection to a siphon.

Depending on the type of connection, the following may also be required:

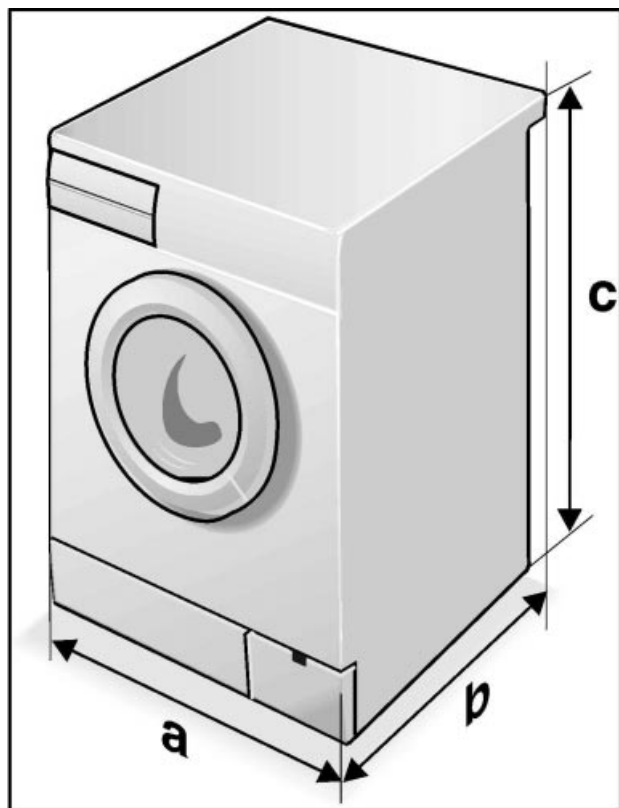
- Y-piece (can be obtained from any specialist store) in case there is only a cold water connection possible.

Useful tools

The following tools are helpful:

- Box cutter.
- Flat screwdriver.
- Ring wrench.
- Spirit level.

Dimensions



a = 600 mm // 23 ⁵/₈"

b = 590 mm // 22 ¹/₂"

c = 852 mm // 33 ¹/₂"

Approx. weight = 69 kg // 152 lbs.

Installation area

WARNING

Never ground the washer to plastic plumbing lines, gas lines or hot water pipes.

Appliance stability is important to make sure the washing machine does not "walk" during the spin cycles.

The installation area must be solid and even. Soft floor surfaces, such as carpets or surfaces with foam backing, are not suitable.

If the washing machine is to be installed on a wooden floor:

- If possible, place the washing machine in a corner of the room.
- Screw a water-resistant wooden board (at least 30 mm thick) to the floor.
- Secure the feet of the washing machine using holding brackets *.

If the washing machine is to be placed on a pedestal:

- Secure the feet of the washing machine using holding brackets *.

* Holding brackets (set) can be obtained from the Customer Service (order no. WMZ 2200).

WARNING

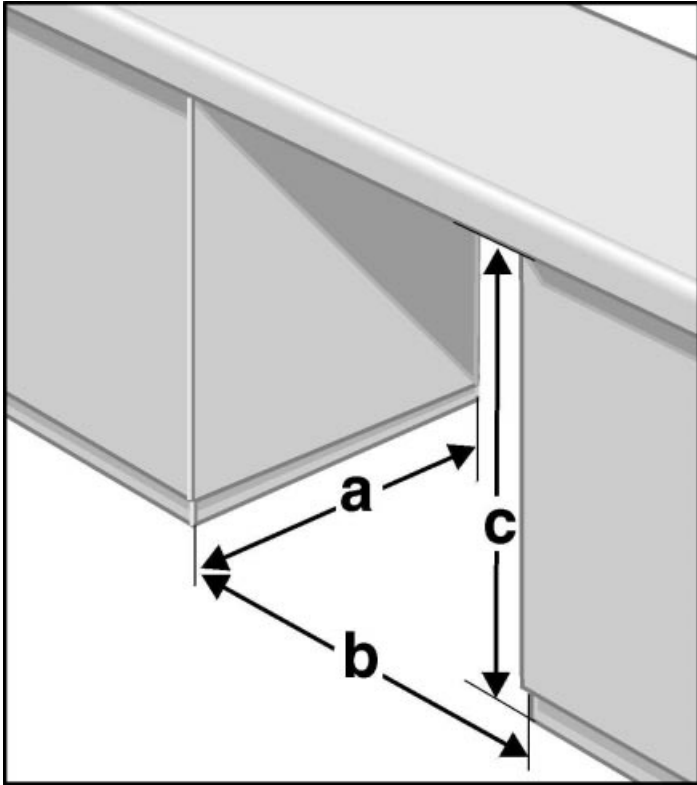
To reduce the risk of fire this washer must be fastened or otherwise secured to an uncovered concrete floor.

Pedestal Mounting

For mounting the washer on the Bosch 12" pedestal (accessory No. WTZ 1210) follow the instructions supplied with the pedestal.

Built-in Installation

The appliance can be built-in; that is, you can install the washing machine under-counter in a kitchen cabinet opening.



a 570 mm minimum // 22 ⁷/₁₆"

b 600 mm minimum // 23 ⁵/₈"

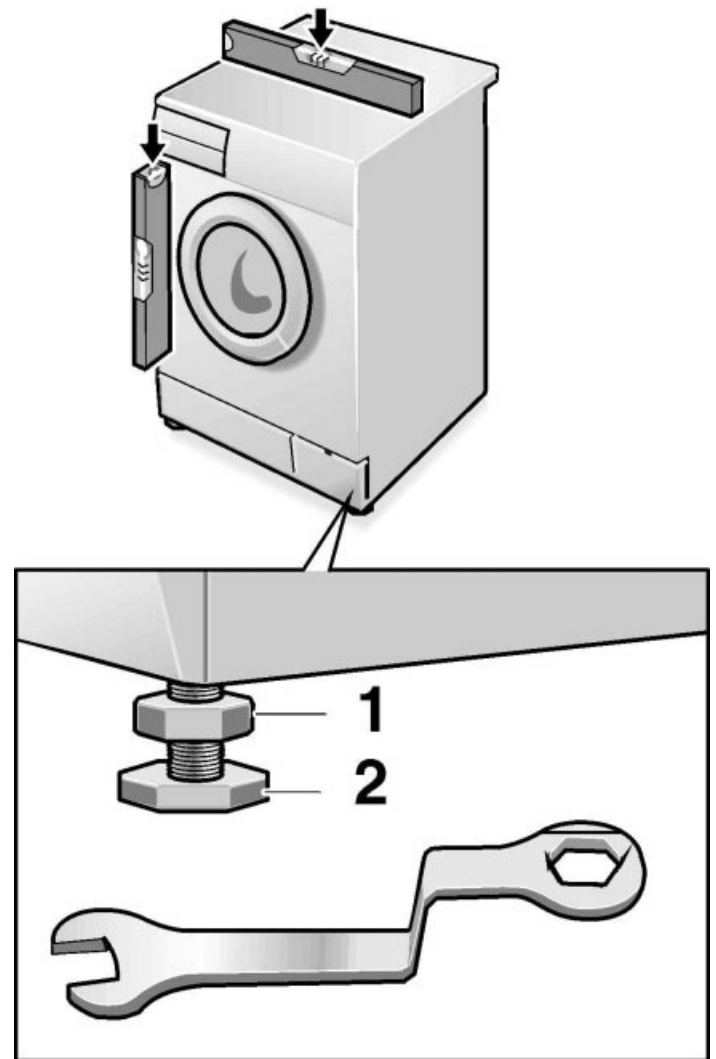
c 850 mm minimum // 33 ¹/₂"

Minimum Installation Clearances

	Alcove or Under Counter	
	Counter	Closet
Sides	0" (0 mm)	0" (0 mm)
Top	0" (0 mm)	0" (0 mm)
Rear	0" (0 mm)	0" (0 mm)

Levelling procedure

All feet of the appliance must be firmly on the ground. The washing machine must not wobble.



Level the washing machine with the assistance of the four adjustable feet and a spirit level:

- Loosen the counter-nut **1** using the wrench.
- Adjust the height by means of turning the appliance foot **2**.
- Tighten lock nut **1** against the housing.

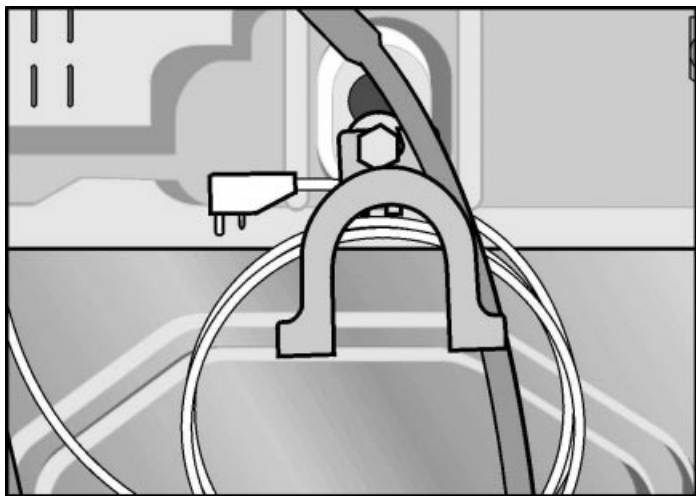
Removing the transport bolts

CAUTION

The transport bolts must be removed before using the appliance for the first time and must be retained for any future transport (e.g. when moving).

Preparing

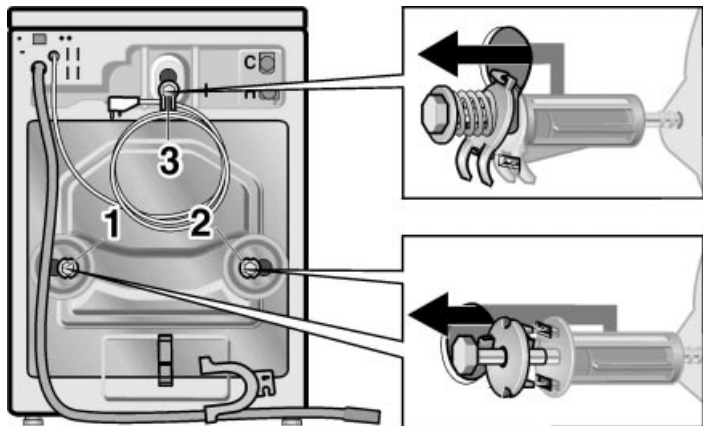
Before removing the transport bolts:



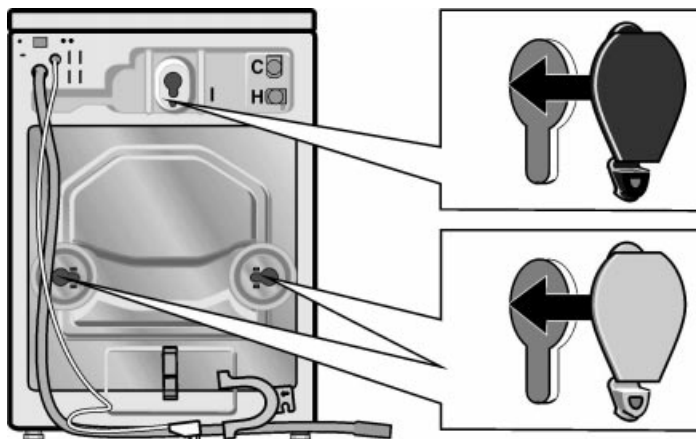
- Take the hoses out of the holders.
- Detach the elbow.

Removing

- Release screws **1**, **2** and **3** using the wrench until they can be moved freely.
- Completely remove transport bolts **1** and **2** (bolts, washers and bushes).
- Completely remove transport bolt **3** (bolt, spring, washer and bush) by reaching through the open washing machine door and pulling the drum slightly forward.

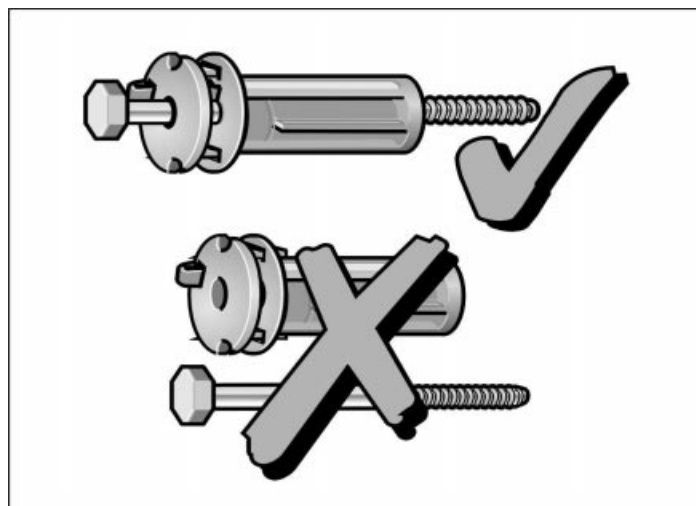


- Insert the covers.



Storing the transport bolts

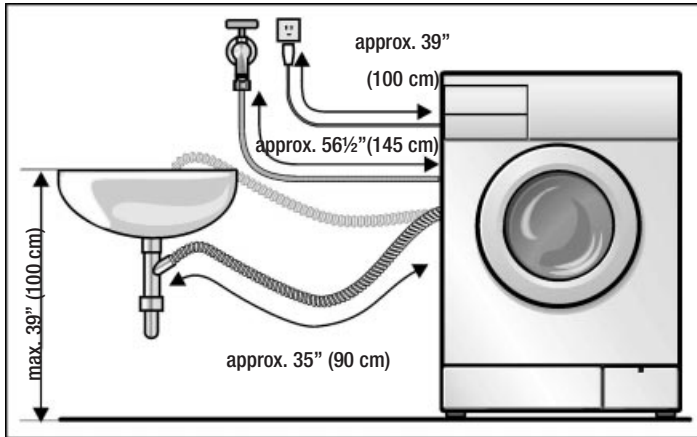
Always keep the transport bolts for future transportation of the appliance (e.g. when moving).



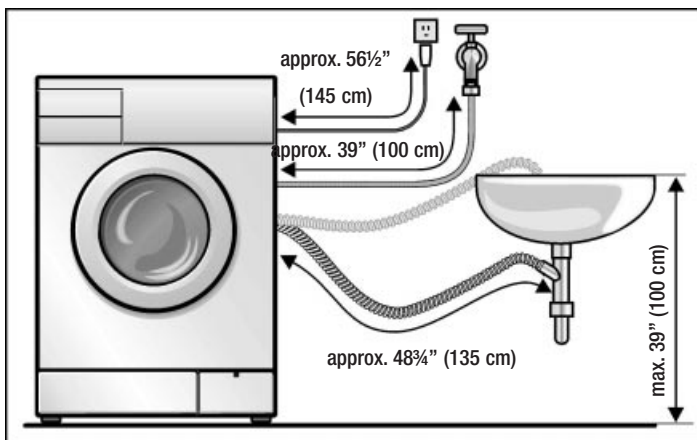
- Store the transport bolts **1** and **2** with the washer and bush attached.

Hose and cable lengths

Left-hand connection



Right-hand connection



Other hoses

Available at specialty dealers:

- Extended supply hose (approx. 2.2 m // 86.6 in).

Water connection

Water supply

CAUTION

The washing machine must only be operated with cold and hot (max. 140 °F // 60 °C) tap water. Do not connect the appliance to the mixer tap of an unpressurized hot-water boiler.

If in any doubt, have the water connection installed by an authorized technician.

The water supply hoses must not be:

- Bent or squashed.
- Modified or cut (stability can no longer be guaranteed).

Plastic threads must only be tightened by hand. Do not remove the strainers from the water supply hoses.

Observe the water pressure in the supply network:

- The water pressure should be between 14.5 to 145 p.s.i. (1 to 10 bars) (when the tap is turned on, at least 2.2 U. S. gallons (8 liters) of water are discharged per minute).
- A pressure reducing valve must be installed if the maximum water pressure is exceeded.

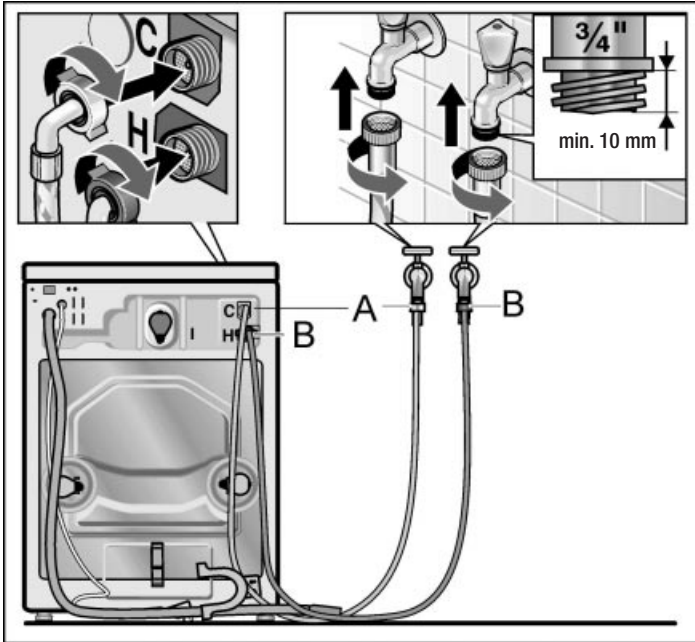
CAUTION

To prevent against water damage, the hot and cold water valves should be accessible when the washer is in place and should **always** be turned off when the washer is not in use.

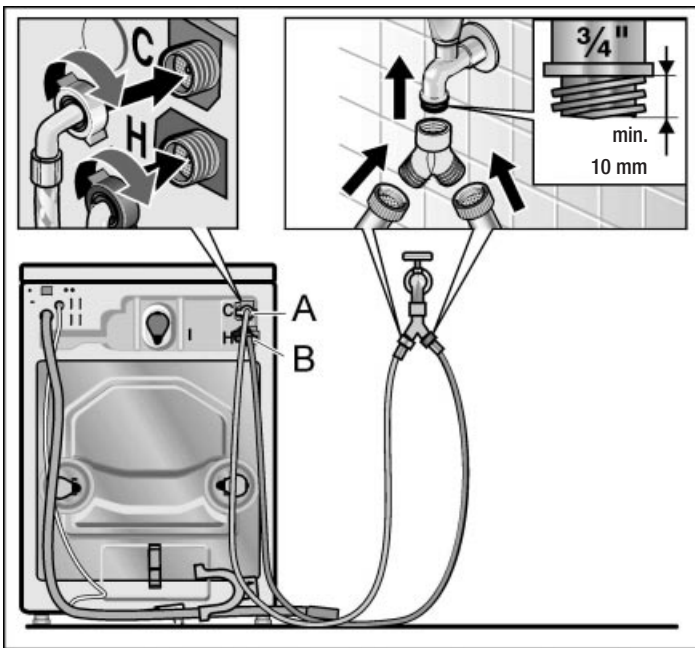
When the washer is being installed in a new building, or a building in which the plumbing system was installed or upgraded recently, the lines must be flushed prior to installing the washer. This must be done to clear the lines of any sand, dirt or residue that may still be in the lines.

Connection options

- A Cold water connection and
- B Hot water connection (max. 140 °F // 60 °C)



or Cold water connection only with Y-piece



- After the connection:
Turn on the water completely, and check whether connection points are watertight.

CAUTION

The connection points are under full water pressure. Check seal with tap fully open.

Water drainage

CAUTION

Do not bend or pull the water drainage hose.

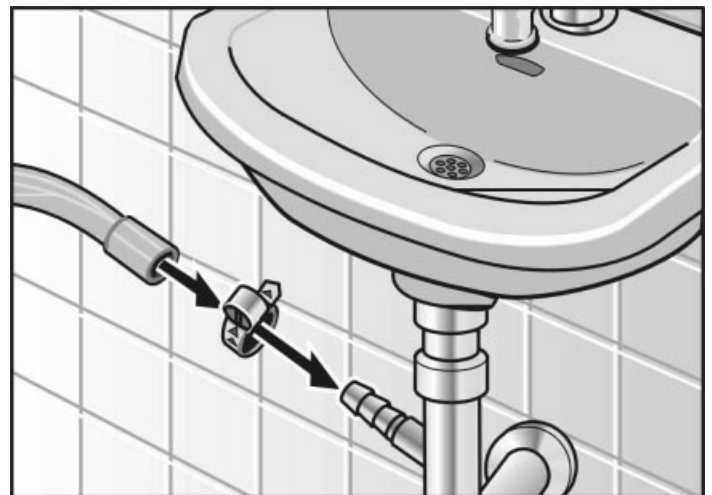
Height difference between the placement area of washer and the drainage point:
Maximum 110 cm // 43 inches.

Standpipe or In Wall Installation



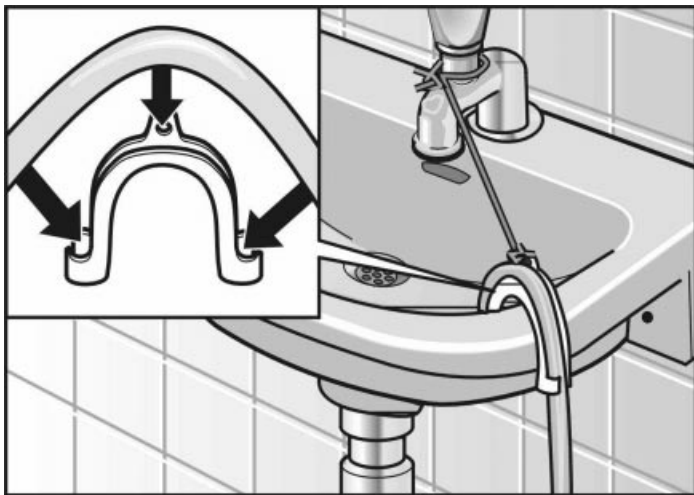
- Use the U-bracket. Attach the U-bracket to the end of the hose and insert end of hose into standpipe or wall drain.
- Use a strap or cable tie connected to U-bracket to hold hose in place.

Drainage into a siphon



- Secure the connection point with a hose band clip.

Drainage into a wash basin



CAUTION

The plug must not block the drain of the wash basin.

- Secure the water drainage hose so that it does not slide out.
- When the water is being drained, check whether the water flow is fast enough.

Electrical connection

GROUNDING INSTRUCTIONS

This appliance must be grounded. In the event of malfunction or breakdown, grounding will reduce the risk of electrical shock by providing a path of least resistance for the electric current. This appliance is equipped with a cord having an equipment-grounding conductor and a grounding plug. The plug must be plugged into an appropriate outlet that is properly installed and grounded in accordance with all local codes and ordinances.

WARNING

Improper connection of the equipment-grounding conductor can result in the risk of electric shock. Check with a qualified electrician or serviceman if you are in doubt as to whether the washing machine is properly grounded.

Do not modify the plug provided with the appliance – if it will not fit in the outlet, have a proper outlet installed by a qualified electrician.

WARNING

The washing machine must only be connected to an individual branch circuit and using a properly installed socket outlet which is grounded.

The mains voltage must correspond to the voltage specification on the washing machine (nameplate). Connection specifications as well as the required fuses are stipulated on the appliance nameplate.

Volts	Hertz	Amperes	Watts
208/240	60	11	2500 (max.)

Make sure that:


- the mains plug fits into the socket outlet.
- the cable cross-section is permissible.
- the grounding system is properly installed.

The mains cable may be replaced by an electrician only.

Replacement mains cables are available from Customer Service.

WARNING

To reduce the risk of fire or electrical shock, **DO NOT** use an extension cord or an adapter to connect the washer to the electrical power supply.

In the event that an earth-leakage circuit breaker is to be used, only use types marked with the following symbol: .

Only this symbol can guarantee compliance with all current regulations.

Do not insert/remove the mains plug with wet or damp hands.

Handle the plug body only when removing the plug from the socket.

Transport, e.g. when moving

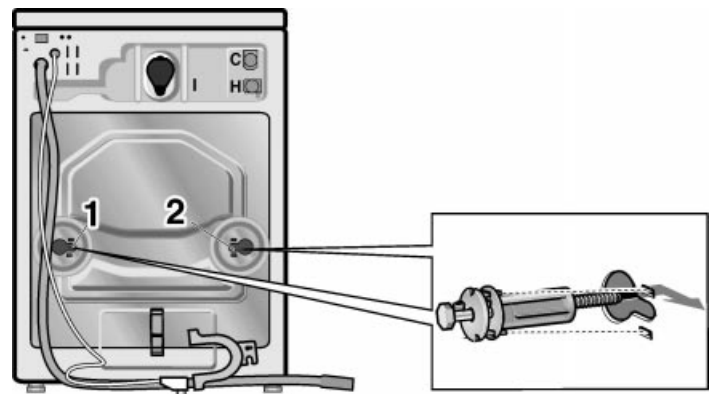
Before transporting the washing machine:

- Turn off the water,
- Drain any remaining water (refer to page 31),
- Release the water pressure in the supply hose (refer to page 32),
- Disconnect the washing machine from the mains.
- Dismantle the supply and drainage hose,
- Install the lower 2 transport bolts.

Having transported the appliance and ensured proper installation and connection, allow the **Drain** program to run through before starting the first wash program.

Preparing and inserting the transport bolts

- Remove the 2 lower covers.
- Prepare the transport bolts:
Loosen the screw in the sleeve until the end of the screw is level with the end of the sleeve.
- Insert and tighten transport bolts **1** and **2**. The lug on the washing machine must be located in the groove in the rear panel of the housing.



**STATEMENT OF WARRANTIES
BOSCH CLOTHES WASHER**

The warranties provided by BSH Home Appliances ("Bosch") in this Statement of Warranties apply only to Bosch clothes washers sold to the first using purchaser by Bosch or its authorized dealers, retailers or service centers in the United States or Canada. The Warranties provided herein are not transferable.

LENGTH OF WARRANTY	SCOPE OF WARRANTY
1 Year Full Limited Warranty From Date of Installation*	Bosch will repair or replace, free of charge, any component part that proves defective under conditions of normal home use labor and shipping costs included. Warranty repair service must be performed by an authorized Bosch Service Center (excludes cosmetic parts).
2 Year Limited Warranty From Date of Installation*	Bosch will provide replacement parts, free of charge, for any component part that proves defective under conditions of normal home use, shipping costs included.
5 Year Limited Warranty on Electronics From Date of Installation*	Bosch will repair or replace, free of charge, any microprocessor or printed circuit board that proves defective under conditions of normal home use for a period of five years from the date of original installation, labor charges excluded.
5 Year Limited Warranty on Motor From Date of Installation*	Bosch will repair or replace, free of charge, any motor or component part of the motor that proves defective under conditions of normal home use for a period of five years from the date of original installation, labor charges excluded.
5 Year Limited Warranty on Cabinet Rust From Date of Installation*	Bosch will replace any cabinet part, free of charge, if that cabinet part should rust through under conditions of normal home use, labor charges excluded.
Lifetime Limited Warranty against Stainless Steel Rust Through From Date of Installation*	Bosch will replace your clothes washer, free of charge, with the same model or a current model that is equivalent or better in functionality if the washer drum or outer tub should rust through under conditions of normal home use, labor charges excluded. Warranty is considered void if chlorine liquid bleach has been used.

* Date of installation shall refer to the earlier of the date the clothes washer is installed or ten business days after the delivery date.

Exclusions.

This warranty does not cover service calls or repairs to correct the installation of the clothes washer, to provide instructions on the use of your clothes washer, to replace house fuses or correct plumbing or the electric wiring in your home or to repair any clothes washer that's use was in a manner other than what is normal and customary for home use. In addition, the warranties provided in this Statement exclude any defects or damage arising from accident, alteration, misuse, abuse, improper installation, unauthorized service work, external forces beyond Bosch's control, such as fire, flood, and other acts of God, or installation not in accordance with local electrical and plumbing codes. Labor charges incurred in the repair or replacement of any clothes washer after a period of one year from date of Installation shall not be covered by this warranty. Any and all replaced and/or repaired parts shall assume the identity of the original for purposes of the applicable warranty period. TO THE EXTENT PERMITTED BY LAW, THIS WARRANTY IS IN LIEU OF ALL OTHER EXPRESS AND IMPLIED WARRANTIES, INCLUDING THE IMPLIED WARRANTIES OF MERCHANTABILITY AND FITNESS FOR A PARTICULAR PURPOSE. Bosch DOES NOT ASSUME ANY RESPONSIBILITY FOR INCIDENTAL OR CONSEQUENTIAL DAMAGES.

TO OBTAIN WARRANTY SERVICE, CONTACT THE NEAREST BOSCH AUTHORIZED SERVICE CENTER OR CALL 1-800-944-2904, OR WRITE AT: BSH HOME APPLIANCES, ATTN. SERVICE, 2800 SOUTH 25TH AVENUE, BROADVIEW, ILLINOIS 60153. BE SURE TO PROVIDE YOUR CLOTHES WASHER'S MODEL, SERIAL NUMBER, PURCHASE DATE AND THE SELLER'S NAME AND ADDRESS.

1001 am
5500 007 631

Free Manuals Download Website

<http://myh66.com>

<http://usermanuals.us>

<http://www.somanuals.com>

<http://www.4manuals.cc>

<http://www.manual-lib.com>

<http://www.404manual.com>

<http://www.luxmanual.com>

<http://aubethermostatmanual.com>

Golf course search by state

<http://golfingnear.com>

Email search by domain

<http://emailbydomain.com>

Auto manuals search

<http://auto.somanuals.com>

TV manuals search

<http://tv.somanuals.com>