

IMPORTANT:
Read Before Using

IMPORTANT :
Lire avant usage

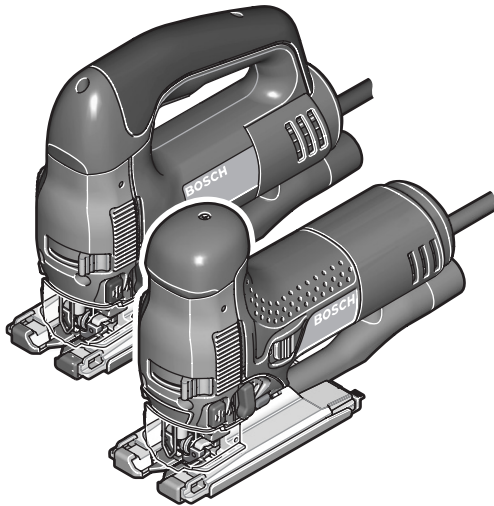
IMPORTANTE:
Leer antes de usar



Operating/Safety Instructions
Consignes de fonctionnement/sécurité
Instrucciones de funcionamiento
y seguridad

1590EVS

1591EVS



BOSCH

Consumer Information
Renseignements des consommateurs
Información para el consumidor

Toll Free Number: **Appel gratuit :** **Número de teléfono gratuito:**
1-877-BOSCH99 (1-877-267-2499) <http://www.boschtools.com>

For English
See page 2

Parlez-vous français?
Voir page 13

¿Habla español?
Ver página 24

Power Tool Safety Rules



Read and understand all instructions. Failure to follow all instructions listed below, may result in electric shock, fire and/or serious personal injury.

SAVE THESE INSTRUCTIONS

Work Area

Keep your work area clean and well lit. Cluttered benches and dark areas invite accidents.

Do not operate power tools in explosive atmospheres, such as in the presence of flammable liquids, gases, or dust. Power tools create sparks which may ignite the dust or fumes.

Keep by-standers, children, and visitors away while operating a power tool. Distractions can cause you to lose control.

Electrical Safety

Double Insulated tools are equipped with a polarized plug (one blade is wider than the other.) This plug will fit in a polarized outlet only one way. If the plug does not fit fully in the outlet, reverse the plug. If it still does not fit, contact a qualified electrician to install a polarized outlet. Do not change the plug in any way. Double Insulation eliminates the need for the three wire grounded power cord and grounded power supply system. Before plugging in the tool, be certain the outlet voltage supplied is within the voltage marked on the nameplate. Do not use "AC only" rated tools with a DC power supply.

Avoid body contact with grounded surfaces such as pipes, radiators, ranges and refrigerators. There is an increased risk of electric shock if your body is grounded. If operating the power tool in damp locations is unavoidable, a Ground Fault Circuit Interrupter must be used to supply the power to your tool. Electrician's rubber gloves and footwear will further enhance your personal safety.

Don't expose power tools to rain or wet conditions. Water entering a power tool will increase the risk of electric shock.

Do not abuse the cord. Never use the cord to carry the tools or pull the plug from an outlet. Keep cord away from heat, oil, sharp edges or moving parts. Replace damaged cords immediately. Damaged cords increase the risk of electric shock.

When operating a power tool outside, use an outdoor extension cord marked "W-A" or "W." These cords are rated for outdoor use and reduce the risk of electric shock. Refer to "Recommended sizes of Extension Cords" in the Accessory section of this manual.

Personal Safety

Stay alert, watch what you are doing and use common sense when operating a power tool. Do not use tool while tired or under the influence of drugs, alcohol, or medication. A moment of inattention while operating power tools may result in serious personal injury.

Dress properly. Do not wear loose clothing or jewelry. Contain long hair. Keep your hair, clothing, and gloves away from moving parts. Loose clothes, jewelry, or long hair can be caught in moving parts. Keep handles dry, clean and free from oil and grease.

Avoid accidental starting. Be sure switch is "OFF" before plugging in. Carrying tools with your finger on the switch or plugging in tools that have the switch "ON" invites accidents.

Remove adjusting keys or wrenches before turning the tool "ON". A wrench or a key that is left attached to a rotating part of the tool may result in personal injury.

Do not overreach. Keep proper footing and balance at all times. Proper footing and balance enables better control of the tool in unexpected situations.

Use safety equipment. Always wear eye protection. Dust mask, non-skid safety shoes, hard hat, or hearing protection must be used for appropriate conditions.

Tool Use and Care

Use clamps or other practical way to secure and support the workpiece to a stable platform. Holding the work by hand or against your body is unstable and may lead to loss of control.

Do not force tool. Use the correct tool for your application. The correct tool will do the job better and safer at the rate for which it is designed.

Do not use tool if switch does not turn it "ON" or "OFF". Any tool that cannot be controlled with the switch is dangerous and must be repaired.

Disconnect the plug from the power source before making any adjustments, changing accessories, or storing the tool. Such preventive safety measures reduce the risk of starting the tool accidentally.

Store idle tools out of reach of children and other untrained persons. Tools are dangerous in the hands of untrained users.

Maintain tools with care. Keep cutting tools sharp and clean. Properly maintained tools, with sharp cutting edges are less likely to bind and are easier to control. Any alteration or modification is a misuse and may result in a dangerous condition.

Check for misalignment or binding of moving parts, breakage of parts, and any other condition that may affect the tools

operation. If damaged, have the tool serviced before using. Many accidents are caused by poorly maintained tools. Develop a periodic maintenance schedule for your tool.

Use only accessories that are recommended by the manufacturer for your model. Accessories that may be suitable for one tool, may become hazardous when used on another tool.

Service

Tool service must be performed only by qualified repair personnel. Service or maintenance performed by unqualified personnel could result in a risk of injury. For example: internal wires may be misplaced or pinched, safety guard return springs may be improperly mounted.

When servicing a tool, use only identical replacement parts. Follow instructions in the Maintenance section of this manual. Use of unauthorized parts or failure to follow Maintenance Instructions may create a risk of electric shock or injury. Certain cleaning agents such as gasoline, carbon tetrachloride, ammonia, etc. may damage plastic parts.

Safety Rules for Jigsaws

Hold tool by insulated gripping surfaces when performing an operation where the cutting tool may contact hidden wiring or its own cord. Contact with a "live" wire will make exposed metal parts of the tool "live" and shock the operator. Do not drill, fasten or break into existing walls or other blind areas where electrical wiring may exist. If this situation is unavoidable, disconnect all fuses or circuit breakers feeding this worksite.

Never leave the trigger locked "ON". Before plugging the tool in, check that the trigger lock is "OFF". Accidental start-ups could cause injury.

Be aware of the location and setting of the switch "Lock-ON" button. If the switch is locked "ON" during the use, be ready for emergency situations to switch it "OFF", by first pulling the trigger then immediately releasing it without pressing the "Lock-ON" button.

Keep hands away from cutting area. Do not reach under the material being cut. The proximity of the blade to your hand is hidden from your sight.

Keep hands from between the gear housing and saw blade holder. The reciprocating blade holder can pinch your fingers.

Do not use dull or damaged blades. Bent blade can break easily or cause kickback.

Before starting to cut, turn tool "ON" and allow the blade to come to full speed. Tool can chatter or vibrate if blade speed is too slow at beginning of cut and possibly kickback.

Secure material before cutting. Never hold it in your hand or across legs. Small or thin material may flex or vibrate with the blade, causing loss of control.

Make certain all adjusting screws and the blade holder are tight before making a

cut. Loose adjusting screws and holders can cause the tool or blade to slip and loss of control may result.

When removing the blade from the tool avoid contact with skin and use proper protective gloves when grasping the blade or accessory. Accessories may be hot after prolonged use.




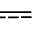
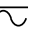




⚠ WARNING Some dust created by power sanding, sawing, grinding, drilling, and other construction activities contains chemicals known to cause cancer, birth defects or other reproductive harm. Some examples of these chemicals are:

- Lead from lead-based paints,
- Crystalline silica from bricks and cement and other masonry products, and
- Arsenic and chromium from chemically-treated lumber.

Your risk from these exposures varies, depending on how often you do this type of work. To reduce your exposure to these chemicals: work in a well ventilated area, and work with approved safety equipment, such as those dust masks that are specially designed to filter out microscopic particles.

Symbols

IMPORTANT: Some of the following symbols may be used on your tool. Please study them and learn their meaning. Proper interpretation of these symbols will allow you to operate the tool better and safer.

Symbol	Name	Designation/Explanation
V	Volts	Voltage (potential)
A	Amperes	Current
Hz	Hertz	Frequency (cycles per second)
W	Watt	Power
kg	Kilograms	Weight
min	Minutes	Time
s	Seconds	Time
∅	Diameter	Size of drill bits, grinding wheels, etc.
n_0	No load speed	Rotational speed, at no load
.../min	Revolutions or reciprocation per minute	Revolutions, strokes, surface speed, orbits etc. per minute
0	Off position	Zero speed, zero torque...
1, 2, 3, ... I, II, III,	Selector settings	Speed, torque or position settings. Higher number means greater speed
0 	Infinitely variable selector with off	Speed is increasing from 0 setting
	Arrow	Action in the direction of arrow
	Alternating current	Type or a characteristic of current
	Direct current	Type or a characteristic of current
	Alternating or direct current	Type or a characteristic of current
	Class II construction	Designates Double Insulated Construction tools.
	Earthing terminal	Grounding terminal
	Warning symbol	Alerts user to warning messages
	Ni-Cad RBRC seal	Designates Ni-Cad battery recycling program



This symbol designates that this tool is listed by Underwriters Laboratories.



This symbol designates that this tool is listed to Canadian Standards by Underwriters Laboratories.



This symbol designates that this tool complies to NOM Mexican Standards.



This symbol designates that this tool is listed by the Canadian Standards Association.

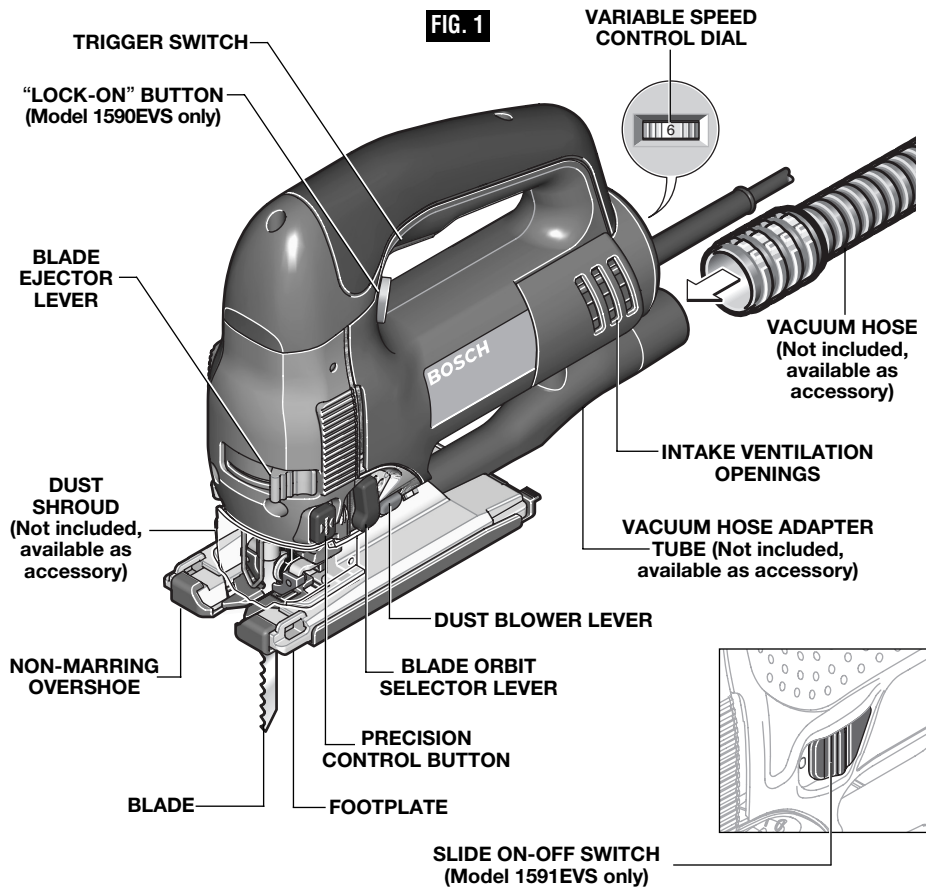


This symbol designates that this tool is listed by Underwriters Laboratories, and listed to Canadian Standards by Underwriters Laboratories.

Functional Description and Specifications

⚠ WARNING Disconnect the plug from the power source before making any assembly, adjustments or changing accessories. Such preventive safety measures reduce the risk of starting the tool accidentally.

Jigsaws



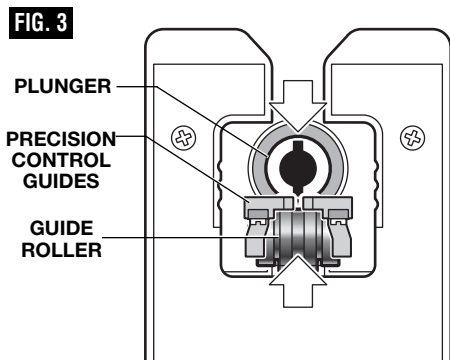
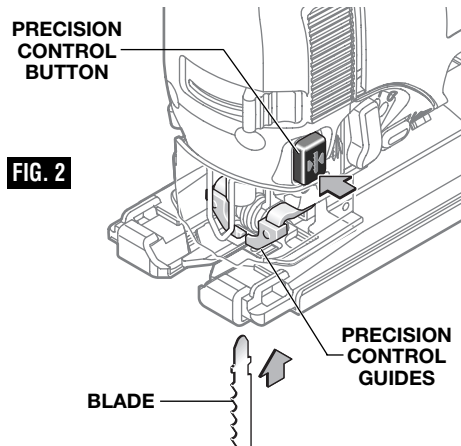
Model number	1590EVS & 1591EVS
Voltage rating	120 V ~ 50 - 60Hz
Amperage rating	6.4 A
No load speed	n_0 500-2,800/min
Stroke length	1"
Wood	5-3/8"
Aluminium	3/4"
Steel	3/8"
Stainless steel	1/8"

Assembly

BLADE INSTALLATION AND REMOVAL

This jigsaw is equipped with the Bosch "One Touch" tool-less blade changing system. This system makes changing blades simple and fast.

Insert the saw blade (teeth in cutting direction) until it latches in the plunger (Fig. 2.) When inserting the saw blade, the back of the blade must rest in the groove of the guide roller (Fig. 3).



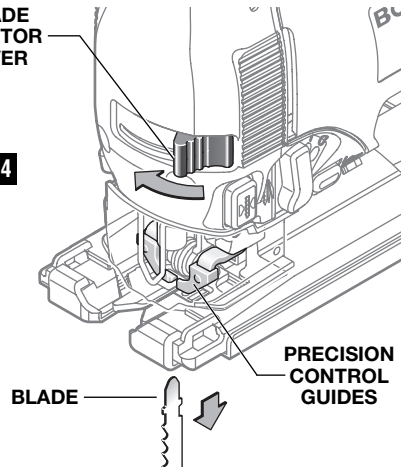
Note: If the saw blade cannot be inserted into the plunger, the slots of the blade holder are not positioned as shown, or because the precision control guides are shut, push the blade ejector lever briefly to the front and release (Fig. 4).

To change the saw blade, push the ejector lever to the center stop; this releases the precision control guides and ejects the saw blade (Fig. 4).

When changing the blade, tool should be held so that the blade is safely ejected.

BLADE EJECTOR LEVER

FIG. 4



PRECISION CONTROL



The precision control guides were designed to improve vertical cut accuracy of the saw blade.

To use this feature simply press the precision control button to close the guides for precision control. The saw blade is now guided laterally by the precision control guides which enables precision cuts.

The precision control guides can be used for all applications, including bevel cuts. Precision control is recommended for cuts in thick wood, as the cutting angle is maintained and run-out of the saw blade is reduced. Refer to Operating Tips for more information.

DUST EXTRACTION

(Not included, available as accessory)

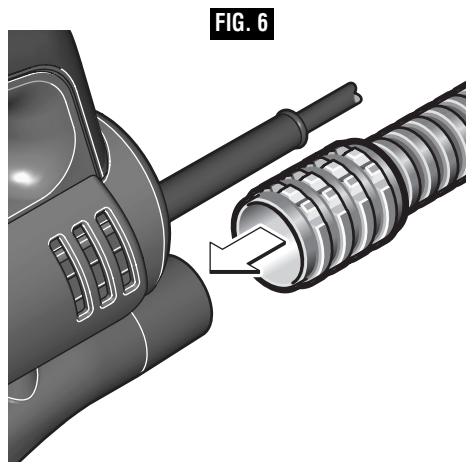
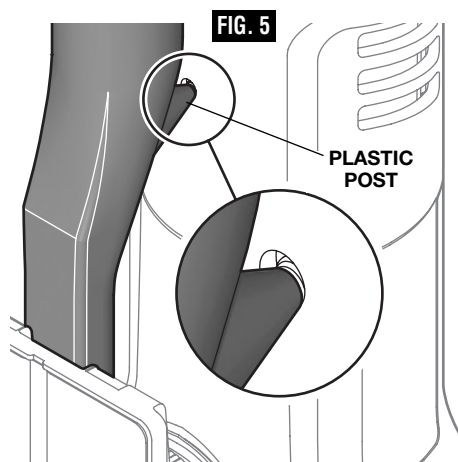
A vacuum hose adapter tube and dust shroud (optional accessory) can be attached for dust and chip extraction. The vacuum hose adapter tube serves as the connector to the vacuum hose.

ATTENTION: The vacuum hose adapter must only be used with dust shroud when connected to a vacuum.

To use this feature, attach vacuum hose adapter tube to footplate. When inserting the adapter tube into the footplate be sure that the plastic post of the adapter tube engages into the corresponding hole on the housing (Fig. 5).

For vacuuming, a Bosch Air Sweep vacuum hose (optional accessory) can be directly connected to the vacuum hose adapter tube (Fig. 6).

For maximum vacuum dust pick up, dust shroud must be attached.



ATTACHING NON-MARRING OVERSHOE

Your tool is equipped with a protective plastic overshoe that protects finer surfaces.

To attach, hook overshoe over front of metal footplate and snap into place at rear of footplate (Fig. 7).

ANTI-SPLINTER INSERT

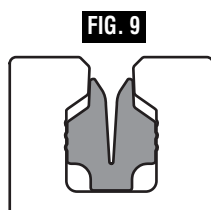
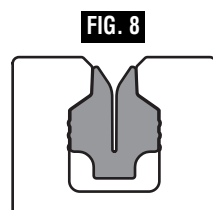
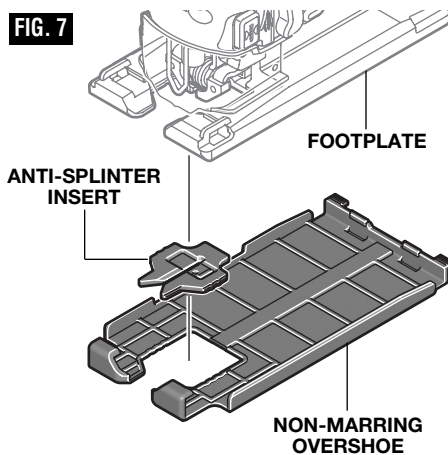
To minimize splintering of the top surface of the material being cut, place the anti-splinter insert in the blade opening of the footplate (Fig. 7).

The anti-splinter insert can be inserted into the footplate in two positions.

For narrow saw blades, place the insert completely to the front of the opening (Fig. 8).

For wider saw blades, place the insert completely to the rear of the opening (Fig. 9).

Note: This insert will only work with blades that have ground sides such as T301CD, T101B, T101D, and T101DP.



Operating Instructions

PLUNGER SPEED

The jigsaw cutting speed or stroke rate required depends on the material being cut, the type of blade being used, and the feed rate preferred by the operator.

The best speed for a particular application is largely determined by experience though as a general rule, slower speeds are for denser materials and faster speeds for softer materials.

Note that when the jigsaw is used at low speed settings for an extended length of time, the motor temperature will rise due to slower speeds of the internal cooling fan. In such cases, it is necessary to occasionally run the tool at full speed for a few minutes to keep the motor running at high efficiency.

TRIGGER SWITCH WITH "LOCK-ON" BUTTON (Model 1590EVS only)

Your jigsaw can be turned "ON" or "OFF" by squeezing or releasing the trigger. Your jigsaw is also equipped with a "Lock-ON" button located just above the trigger that allows continuous operation without holding the trigger (Fig. 1).

TO LOCK SWITCH ON: Squeeze trigger fully, depress button and release trigger.

TO UNLOCK THE SWITCH: Squeeze trigger and release it without depressing the "Lock-ON" button.

⚠ WARNING If the "Lock-ON" button is continuously being depressed, the trigger cannot be released.

SLIDE ON-OFF SWITCH (Model 1591EVS only)

The tool is switched "ON" by the switch button located at the side of the motor housing. The switch locks in the "ON" position, a convenience for continuous operation (Fig. 1).

TO TURN THE TOOL "ON" slide the switch button forward.

TO UNLOCK THE SWITCH, slide the switch button backward.

CONSTANT RESPONSE CIRCUITRY

The internal electronic feedback system provides a "soft start", which will reduce the stresses that occur from a high torque start. The system also maintains the selected speed under load for maximum efficiency.

VARIABLE SPEED DIAL

Your Jigsaw is equipped with a variable speed dial. The blade stroke rate may be adjusted during cutting operation by presetting the dial on or between any one of the six numbers.

Setting	SPM rating (strokes per minute)
1	500
2	500-800
3	500-1400
4	500-1900
5	500-2400
6	500-2800

BLADE ORBIT SELECTOR LEVER

Maximum cutting efficiency can be obtained by adjusting the blade orbit selector lever to suit the material being cut.

The following chart will help you determine which setting to use for your application. This chart is intended as a guideline only, and test cuts in scrap material should be performed first to determine the best setting.

Setting 0



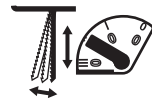
Hard materials such as metals or thin sheet metals. This setting can be used with knife blades, grit edge blades, rasp work and down cutting blades.

Setting 1



Soft materials where cleaner cutting or delicate scrolling work is performed.

Setting 2



Medium density materials such as harder woods or particle board.

Setting 3



Soft materials such as wood, plastics, etc. and when fast cutting is more important than a clean cut.

CHIP BLOWER

Your jigsaw is equipped with a two position chip blower to help keep the cutting line clear of chips.

By adjusting the chip blower lever the force of the discharge air may be altered as follows;



BLOWER SWITCHED ON

For working with wood, plastic and similar materials that produce large amounts of sawdust.



BLOWER SWITCHED OFF

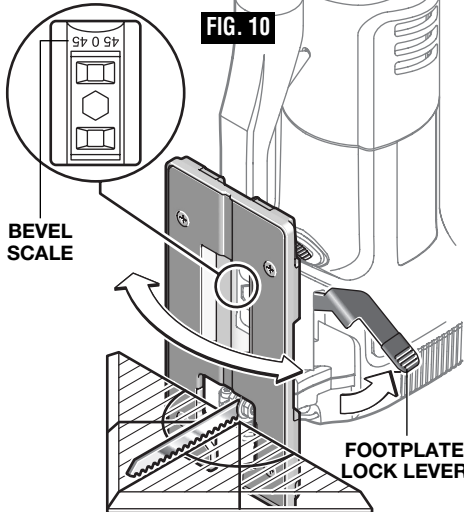
For working with metals and when cooling agents are used, or with dust collection accessory.

FOOTPLATE ANGLE ADJUSTMENT

The footplate may be tilted to allow angle cuts up to 45° in either direction (Fig. 10).

To adjust footplate, remove dust shroud if used, open footplate lock lever and slide the footplate slightly forward towards the front of tool, then rotate to desired angle (Fig. 10).

Note: If the footplate cannot be adjusted or you have difficulty after the footplate lock lever has been released, rotate tension wheel in the “-” direction (Fig. 11).



The detent slots will hold the footplate firmly at 45°, and there are additional position marks for 15°, 22.5° and 30° angles. Intermediate angles may be set with a protractor (Fig. 10).

After positioning the footplate close the footplate lock lever to securely tighten the footplate adjustment (Fig. 10).

Note: If the lock lever does not securely tighten the footplate after the lever is closed, open lock lever and rotate the tension wheel in the “+” direction until desired tension has been achieved (Fig. 11).

FLUSH CUTTING

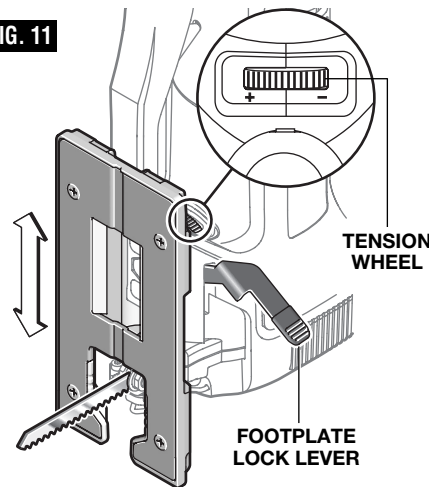
To allow the saw to make a perpendicular cut close to a vertical surface, the footplate may be repositioned as follows.

Note that when the footplate is retracted in this manner, only 90° cuts are possible, and the optional cutting guide and anti-splinter insert guide may not be used.

To adjust footplate, remove dust shroud and anti-splinter insert, open footplate lock lever move the footplate back in the 0° alignment slot (Fig. 11).

Note: If the footplate cannot be adjusted or you have difficulty after the footplate lock lever has been released, rotate tension wheel in the “-” direction (Fig.11).

FIG. 11



After positioning the footplate close the footplate lock lever to securely tighten the footplate adjustment (Fig. 11).

Note: If the lock lever does not securely tighten the footplate after the lever is closed, open lock lever and rotate the tension wheel in the “+” direction until desired tension has been achieved (Fig. 11).

TOOL TIPS

Always be certain that smaller workpieces are securely fastened to a bench or other support. Larger panels may be held in place by clamps on a bench or sawhorses.

To begin a cut, clearly mark the cutting line, and rest the front of the footplate on the work. Engage the switch, and move the blade into the work using only enough forward pressure to keep the blade cutting steadily. Do not force, as this will not make the saw cut faster; let the blade do the work.

Choose blades carefully, as the ability of the jigsaw to follow curves, provide smoother finishes, or faster cutting is directly related to the type of blade used (See your Bosch Dealer).

For tight curves it is best to use a narrow or scroll blade.

When sawing metal or similar materials, shut off chip blower and apply coolant/lubricant alongside the cutting line.

When cutting thick wood, use the precision control button for increased lateral guidance of the saw blade.

PLUNGE CUTTING

Plunge cutting is useful and time-saving in making rough openings in softer materials. It is not necessary to drill a hole for an inside or pocket cut. Draw lines for the opening, hold the saw firmly, tilt it forward so that the toe of the saw foot rests on the work, but with the blade well clear of the work. Start the motor, and then very gradually lower the blade. When it touches, continue pressing down on the toe of the saw foot slowly pivoting the saw like a hinge until the blade cuts through and the foot rests flat on the work. Then saw ahead on the cutting line. We do not recommend plunge cutting with a scroll blade.

To make sharp corners, cut up to the corner, then back up slightly before rounding the corner. After the opening is complete, go back to each corner and cut it from the opposite direction to square it off. Do not try to plunge cut into hard materials such as steel.

CIRCLE AND PARALLEL CUTTING GUIDE (Not included, available as accessory)

This accessory is available at an extra cost. It is used for fast and accurate straight and circle cutting (Fig. 12).

PARALLEL CUTTING

1. Insert bar of guide through lock knob clamp, then through the slots provided in foot, from either side of foot with the edge guide facing DOWN (Fig. 12).

2. Hook lock knob clamp onto edge of footplate, adjust fence to desired width, and securely tighten lock knob clamp (Fig. 12).

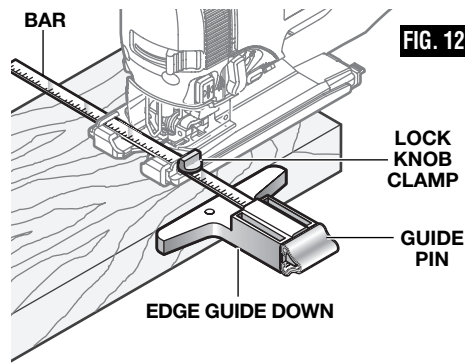


FIG. 12

CIRCLE CUTTING

1. Before attaching the guide, draw a circle and predrill a 13/64" center hole in workpiece.
2. Drill or plunge cut near the circle's edge, turn saw off and disconnect the plug from power source.
3. Attach guide to saw with edge guide facing UP as shown (Fig. 13).

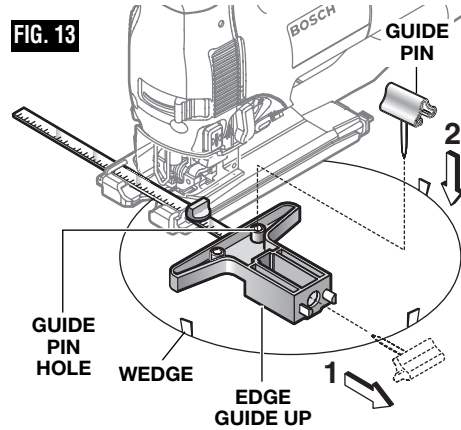


FIG. 13

4. Remove guide pin from end of guide, push pin through hole provided in guide, then into center hole of workpiece.
5. Measure the distance from the selected hole to the blade to be equal to the circle radius.
6. Insert plug into power source, hold the saw firmly, squeeze trigger and slowly push the saw forward. To make a hole, cut from inside the circle; To make wheels or discs, cut from the outside.

Cutting Tip: Cut slowly so the blade will stay straight in the cut. Place small wedges in the cut as shown in Fig. 13, to keep the inner circle from spreading when near the end of the cut.

Maintenance

Service

⚠ WARNING Preventive maintenance performed by unauthorized personnel may result in misplacing of internal wires and components which could cause serious hazard. We recommend that all tool service be performed by a Bosch Factory Service Center or Authorized Bosch Service Station.

TOOL LUBRICATION

Your Bosch tool has been properly lubricated and is ready to use. It is recommended that tools with gears be regreased with a special gear lubricant at every brush change.

CARBON BRUSHES

The brushes and commutator in your tool have been engineered for many hours of dependable service. To maintain peak efficiency of the motor, we recommend every two to six months the brushes be examined. Only genuine Bosch replacement brushes specially designed for your tool should be used.

BEARINGS

After about 300-400 hours of operation, or at every second brush change, the bearings

should be replaced at Bosch Factory Service Center or Authorized Bosch Service Station. Bearings which become noisy (due to heavy load or very abrasive material cutting) should be replaced at once to avoid overheating or motor failure.

Cleaning

⚠ WARNING To avoid accidents always disconnect the tool from the power supply before cleaning or performing any maintenance. The tool may be cleaned most effectively with compressed dry air. **Always wear safety goggles when cleaning tools with compressed air.**

Ventilation openings and switch levers must be kept clean and free of foreign matter. Do not attempt to clean by inserting pointed objects through openings.

⚠ CAUTION Certain cleaning agents and solvents damage plastic parts. Some of these are: gasoline, carbon tetrachloride, chlorinated cleaning solvents, ammonia and household detergents that contain ammonia.

Accessories

⚠ WARNING If an extension cord is necessary, a cord with adequate size conductors that is capable of carrying the current necessary for your tool must be used. This will prevent excessive voltage drop, loss of power or overheating. Grounded tools must use 3-wire extension cords that have 3-prong plugs and receptacles.

NOTE: The smaller the gauge number, the heavier the cord.

RECOMMENDED SIZES OF EXTENSION CORDS
120 VOLT ALTERNATING CURRENT TOOLS

Tool's Ampere Rating	Cord Size in A.W.G.				Wire Sizes in mm ²			
	Cord Length in Feet				Cord Length in Meters			
	25	50	100	150	15	30	60	120
3-6	18	16	16	14	0.75	0.75	1.5	2.5
6-8	18	16	14	12	0.75	1.0	2.5	4.0
8-10	18	16	14	12	0.75	1.0	2.5	4.0
10-12	16	16	14	12	1.0	2.5	4.0	—
12-16	14	12	—	—	—	—	—	—

- * Non-marring overshoe
- * Anti splinter insert
- * 3 Assorted blades
- ** Dust extraction kit, includes vacuum hose adapter tube ,vacuum hose, and dust shroud.
- ** Circle and parallel cutting guide
- * Carrying case (Models 1590EVSK & 1591EVSK only)

(* = standard equipment)

(** = optional accessories)

Règles de Sécurité Générales

A AVERTISSEMENT

Vous devez lire et comprendre toutes les instructions. Le non-respect, même partiel, des instructions ci-après entraîne un risque de choc électrique, d'incendie et/ou de blessures graves.

CONSERVEZ CES INSTRUCTIONS


Aire de travail

Veillez à ce que l'aire de travail soit propre et bien éclairée. Le désordre et le manque de lumière favorisent les accidents.

N'utilisez pas d'outils électriques dans une atmosphère explosive, par exemple en présence de liquides, de gaz ou de poussières inflammables. Les outils électriques créent des étincelles qui pourraient enflammer les poussières ou les vapeurs.

Tenez à distance les curieux, les enfants et les visiteurs pendant que vous travaillez avec un outil électrique. Ils pourraient vous distraire et vous faire faire une fausse manœuvre.

Sécurité électrique

Les outils à double isolation sont équipés d'une fiche polarisée (une des lames est plus large que l'autre), qui ne peut se brancher que d'une seule façon dans une prise polarisée. Si la fiche n'entre pas parfaitement dans la prise, inversez sa position ; si elle n'entre toujours pas bien, demandez à un électricien qualifié d'installer une prise de courant polarisée. Ne modifiez pas la fiche de l'outil. La double isolation  élimine le besoin d'un cordon d'alimentation à trois fils avec mise à la terre ainsi que d'une prise de courant mise à la terre. Avant de brancher l'outil, assurez-vous que la tension de la prise correspond, à celle indiquée sur la plaque signalétique. N'utilisez pas d'outils prévus pour courant alternatif seulement avec une source de courant continu.

Évitez tout contact corporel avec des surfaces mises à la terre (tuyauterie, radiateurs, cuisinières, réfrigérateurs, etc.). Le risque de choc électrique est plus grand si votre corps est en contact avec la terre. Si l'utilisation de l'outil électrique dans un endroit humide est inévitable, un disjoncteur de fuite à la terre doit être utilisé pour alimenter votre outil. Des chaussures et des gants en caoutchouc d'électricien contribueront à accroître davantage votre sécurité personnelle.

N'exposez pas les outils électriques à la pluie ou à l'eau. La présence d'eau dans un outil électrique augmente le risque de choc électrique.

Ne maltraitez pas le cordon. Ne transportez pas l'outil par son cordon et ne débranchez pas la fiche en tirant sur le cordon. N'exposez pas le cordon à la chaleur, à des huiles, à des arêtes vives ou à des pièces en

mouvement. Remplacez immédiatement un cordon endommagé. Un cordon endommagé augmente le risque de choc électrique.

Lorsque vous utilisez un outil électrique à l'extérieur, employez un prolongateur pour l'extérieur marqué « W-A » ou « W ». Ces cordons sont faits pour être utilisés à l'extérieur et réduisent le risque de choc électrique. Reportez-vous aux « Dimensions recommandées des cordons de rallonge » dans la section Accessoires de ce manuel.

Sécurité des personnes

Restez alerte, concentrez-vous sur votre travail et faites preuve de jugement. N'utilisez pas un outil électrique si vous êtes fatigué ou sous l'influence de drogues, d'alcool ou de médicaments. Un instant d'inattention suffit pour entraîner des blessures graves.

Habillez-vous convenablement. Ne portez ni vêtements flottants ni bijoux. Confinez les cheveux longs. N'approchez jamais les cheveux, les vêtements ou les gants des pièces en mouvement. Des vêtements flottants, des bijoux ou des cheveux longs risquent d'être happés par des pièces en mouvement. Gardez les poignées sèches, propres et exemptes d'huile et de graisse.

Méfiez-vous d'un démarrage accidentel. Avant de brancher l'outil, assurez-vous que son interrupteur est sur ARRÊT. Le fait de transporter un outil avec le doigt sur la détente ou de brancher un outil dont l'interrupteur est en position MARCHE peut mener tout droit à un accident.

Enlevez les clés de réglage ou de serrage avant de démarrer l'outil. Une clé laissée dans une pièce tournante de l'outil peut provoquer des blessures.

Ne vous penchez pas trop en avant. Maintenez un bon appui et restez en équilibre en tout temps. Une bonne stabilité vous permet de mieux réagir à une situation inattendue.

Utilisez des accessoires de sécurité. Portez toujours des lunettes ou une visière. Selon les conditions, portez aussi un masque antipoussière, des bottes de sécurité antidérapantes, un casque protecteur et/ou un appareil antibruit.

Utilisation et entretien des outils

Immobilisez le matériau sur une surface stable au moyen de brides ou de toute autre façon adéquate. Le

fait de tenir la pièce avec la main ou contre votre corps offre une stabilité insuffisante et peut amener un dérapage de l'outil.

Ne forcez pas l'outil. Utilisez l'outil approprié à la tâche. L'outil correct fonctionne mieux et de façon plus sécuritaire. Respectez aussi la vitesse de travail qui lui est propre.

N'utilisez pas un outil si son interrupteur est bloqué. Un outil que vous ne pouvez pas commander par son interrupteur est dangereux et doit être réparé.

Débranchez la fiche de l'outil avant d'effectuer un réglage, de changer d'accessoire ou de ranger l'outil. De telles mesures préventives de sécurité réduisent le risque de démarrage accidentel de l'outil.

Rangez les outils hors de la portée des enfants et d'autres personnes inexpérimentées. Les outils sont dangereux dans les mains d'utilisateurs novices.

Prenez soin de bien entretenir les outils. Les outils de coupe doivent être toujours bien affûtés et propres. Des outils bien entretenus, dont les arêtes sont bien tranchantes, sont moins susceptibles de coincer et plus faciles à diriger. Toute altération ou modification constitue un usage erroné et peut causer un danger.

Soyez attentif à tout désalignement ou coincement des pièces en mouvement, à tout bris ou à toute autre

condition préjudiciable au bon fonctionnement de l'outil. Si vous constatez qu'un outil est endommagé, faites-le réparer avant de vous en servir. De nombreux accidents sont causés par des outils en mauvais état. Élaborez un calendrier d'entretien périodique de votre outil.

N'utilisez que des accessoires que le fabricant recommande pour votre modèle d'outil. Certains accessoires peuvent convenir à un outil, mais être dangereux avec un autre.

Réparation

La réparation des outils électriques doit être confiée à un réparateur qualifié. L'entretien ou la réparation d'un outil électrique par un amateur peut avoir des conséquences graves. Ainsi, des fils internes peuvent être mal placés ou pincés, des ressorts de rappel de protecteur peuvent être montés erronément.

Pour la réparation d'un outil, n'employez que des pièces de rechange d'origine. Suivez les directives données à la section « Réparation » de ce manuel. L'emploi de pièces non autorisées ou le non-respect des instructions d'entretien peut créer un risque de choc électrique ou de blessures. Certains agents nettoyants tels qu'essence, tétrachlorure de carbone, ammoniac, etc., peuvent abîmer les pièces en plastique.

Règles de sécurité concernant les scies sauteuses

Tenez l'outil par les surfaces isolées de préhension en exécutant une opération au cours de laquelle l'outil de coupe peut venir en contact avec les fils cachés ou son propre cordon. Le contact avec un fil sous tension rendra les pièces métalliques exposées de l'outil sous tension et causera des chocs à l'opérateur. Ne percez, fixez et ne rentrez pas dans des murs existants ou autres endroits aveugles pouvant abriter des fils électriques. Si cette situation est inévitable, débranchez tous les fusibles ou les disjoncteurs alimentant ce site.

Ne tenez jamais la gâchette bloquée en position de marche. Avant de brancher l'outil, assurez-vous que le blocage de la gâchette est inhibé. Les mises en marche accidentelles peuvent causer des blessures.

Soyez au courant de l'emplacement et de la position du bouton de blocage en marche de la gâchette. Si l'interrupteur est bloqué en marche durant l'usage, soyez prêt, dans des cas d'urgence, à le mettre à l'arrêt en appuyant d'abord sur la gâchette, puis en la relâchant immédiatement sans appuyer sur le bouton de blocage en marche.

Gardez les mains à l'écart de la zone de coupe. Ne placez surtout pas la main sous le matériau que vous coupez. Il est impossible de déterminer exactement la proximité de la lame de votre main.

Évitez de vous placer les mains entre le carter d'engrenages et le porte-lame de la scie. Le porte-lame à mouvement alternatif risquerait de vous pincer les doigts.

N'utilisez pas de lames émoussées ou endommagées. Les lames pliées peuvent aisément se fracturer ou causer un rebond.

Avant de commencer à couper, mettez l'outil en marche et attendez que la lame atteigne sa vitesse maximale. L'outil peut trembler ou vibrer si la vitesse de la lame est trop lente au début de la coupe, et il peut éventuellement rebondir.

Il importe de bien assujettir la pièce sur laquelle vous travaillez. Ne la tenez jamais dans votre main ou sur vos jambes. Les pièces minces et plus petites peuvent fléchir ou vibrer avec la lame, risquant ainsi de vous faire perdre le contrôle.

Avant de commencer à scier, assurez-vous que toutes les vis de réglage et que le porte-lame sont serrés. Les vis de réglage et porte-lame lâches peuvent faire glisser l'outil ou la lame et ainsi vous faire perdre le contrôle.

En retirant la lame de l'outil, évitez le contact avec la peau et utilisez des gants protecteurs appropriés en saisissant la lame ou l'accessoire. Les accessoires peuvent être chauds après un usage prolongé.

⚠ AVERTISSEMENT Les travaux à la machine tel que ponçage, sciage, meulage, perçage et autres travaux du bâtiment peuvent créer des poussières contenant des produits chimiques qui sont des causes reconnues de cancer,

de malformation congénitale ou d'autres problèmes reproductifs. Ces produits chimiques sont, par exemple :


- Le plomb provenant des peintures à base de plomb,
- Les cristaux de silices provenant des briques et du ciment et d'autres produits de maçonnerie, et
- L'arsenic et le chrome provenant des bois traités chimiquement.

Le niveau de risque dû à cette exposition varie avec la fréquence de ces types de travaux. Pour réduire l'exposition à ces produits chimiques, il faut travailler dans un lieu bien ventilé et porter un équipement de sécurité approprié tel que certains masques à poussière conçus spécialement pour filtrer les particules microscopiques.

Symboles

IMPORTANT : Certains des symboles suivants peuvent être utilisés sur votre outil. Veuillez les étudier et apprendre leur signification. Une interprétation appropriée de ces symboles vous permettra d'utiliser l'outil de façon plus efficace et plus sûre.

Symbole	Nom	Désignation/Explication
V	Volts	Tension (potentielle)
A	Ampères	Courant
Hz	Hertz	Fréquence (cycles par seconde)
W	Watt	Puissance
kg	Kilogrammes	Poids
min	Minutes	Temps
s	Secondes	Temps
∅	Diamètre	Taille des mèches de perceuse, meules, etc.
n_0	Vitesse à vide	Vitesse de rotation, à vide
.../min	Tours ou mouvement alternatif par minute	Tours, coups, vitesse en surface, orbites, etc., par minute
0	Position d'arrêt	Vitesse zéro, couple zéro ...
1, 2, 3, ... I, II, III, ...	Réglages du sélecteur	Réglages de vitesse, de couple ou de position. Un nombre plus élevé signifie une vitesse plus grande.
	Sélecteur variable à l'infini avec arrêt	La vitesse augmente depuis le réglage 0
	Flèche	Action dans la direction de la flèche
	Courant alternatif	Type ou caractéristique du courant
	Courant continu	Type ou caractéristique du courant
	Courant alternatif ou continu	Type ou caractéristique du courant
	Construction classe II isolation	Désigne des outils construits avec double
	Borne de terre	Borne de mise à la terre
	Symbole d'avertissement	Alerte l'utilisateur aux messages d'avertissement.
	Sceau Ni-Cad RBRC™	Désigne le programme de recyclage des piles Ni-Cad.


 Ce symbole signifie que cet outil est approuvé par Underwriters Laboratories.



Ce symbole signifie que cet outil est approuvé conformément aux normes canadiennes par Underwriters Laboratories.



Ce symbole signifie que cet outil se conforme aux normes mexicaines NOM.

 Ce symbole signifie que cet outil est approuvé par l'Association canadienne de normalisation.

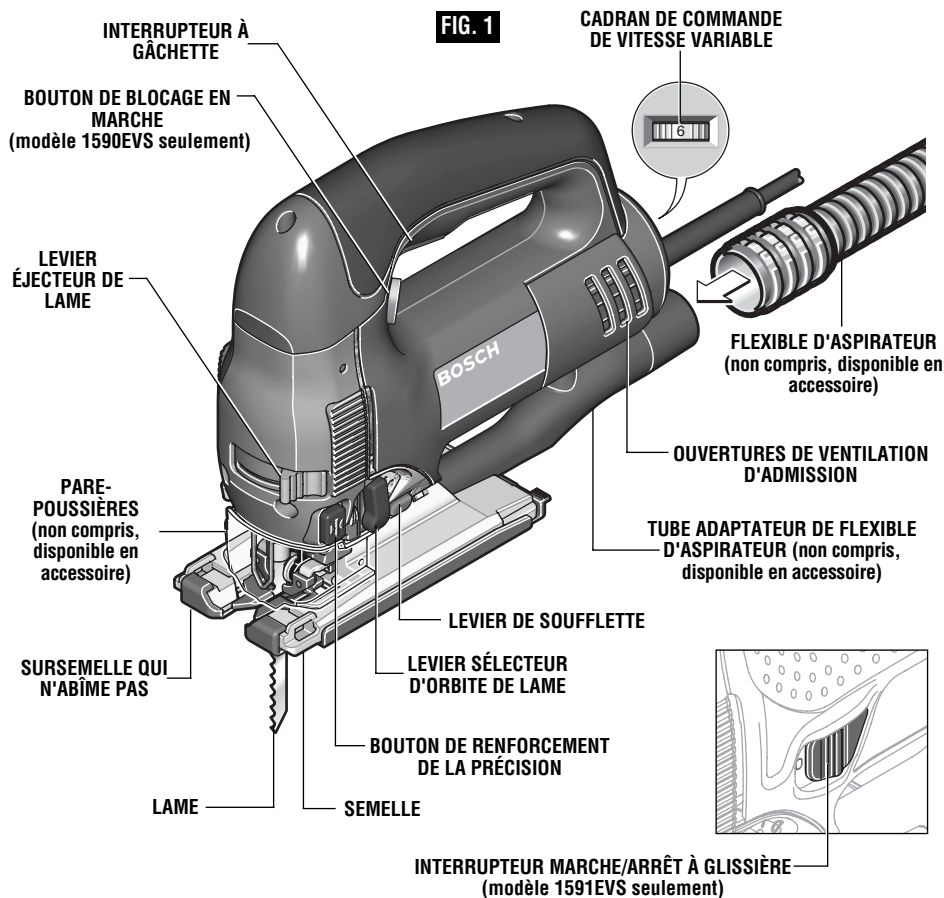


Ce symbole signifie que cet outil est approuvé par Underwriters Laboratories et qu'il a été homologué selon les normes canadiennes par Underwriters Laboratories.

Description fonctionnelle et spécifications

AVERTISSEMENT Débranchez la fiche de la prise de courant avant d'effectuer quelque assemblage ou réglage que ce soit ou de changer les accessoires. Ces mesures de sécurité préventive réduisent le risque d'une mise en marche accidentelle de l'outil.

Scies sauteuses



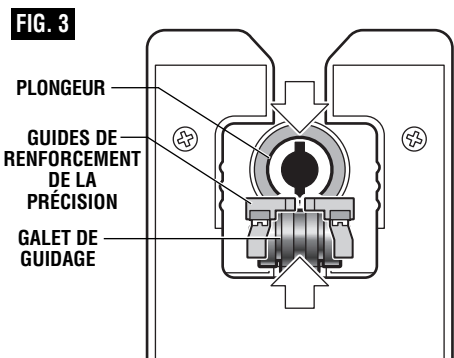
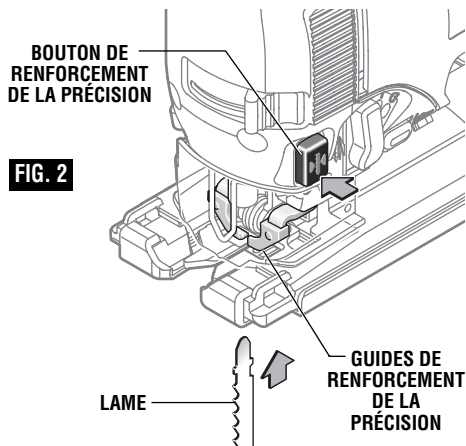
Numéro de modèle	1590EVS et 1591EVS
Tension nominale	120 V ~ 50 - 60Hz
Intensité nominale	6,4 A
Régime à vide	n_0 500-2 800/min
Longueur de la course	25 mm
Bois	135 mm
Aluminium	19 mm
Acier	10 mm
Acier inoxydable	3 mm

Assemblage

POSE ET DÉPOSE DE LA LAME

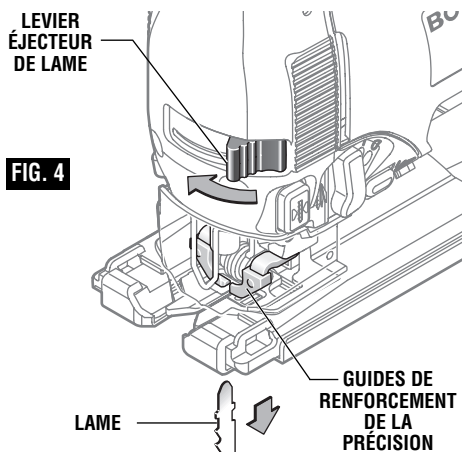
Cette scie sauteuse est munie du système de changement de lame sans outil « One Touch » de Bosch. Ce système facilite et accélère le changement de lames.

Insérez la lame de scie (dents dans le sens de la coupe) jusqu'à ce qu'elle s'enclenche dans le plongeur (Fig. 2). Lorsque vous insérez la lame de scie, son dos doit reposer dans la gorge du galet de guidage (Fig. 3).



Remarque : Si on ne peut pas enfoncer la lame de scie dans le plongeur, ceci signifie que les fentes du porte-lame ne sont pas dans la position illustrée ou que les guides de renforcement de la précision sont fermés ; poussez le levier éjecteur de lame brièvement vers l'avant et relâchez-le (Fig. 4).

Pour changer de lame, poussez le levier éjecteur vers la butée centrale; ceci libère les guides de renforcement de la précision et éjecte la lame de scie (Fig. 4).



Lorsque vous changez de lame, il faut tenir l'outil de manière à éjecter la lame en toute sécurité.

RENFORCEMENT DE LA PRÉCISION



Les guides de renforcement de la précision ont été conçus pour améliorer la précision en sciage vertical de la lame de scie.

Pour utiliser ce système, il suffit d'appuyer sur le bouton de renforcement de la précision pour fermer les guides qui améliorent la précision. La lame de scie est alors guidée latéralement par les guides de renforcement de la précision, ce qui lui permet de scier plus précisément.

Les guides de renforcement de la précision peuvent être utilisés pour tous types de travaux, y compris les coupes en biais. Ils sont conseillés lors du sciage de bois épais car ils permettent de maintenir l'angle de coupe et de réduire le battement de la lame. Reportez-vous aux conseils d'utilisation pour de plus amples renseignements.

ASPIRATION DES POUSSIÈRES

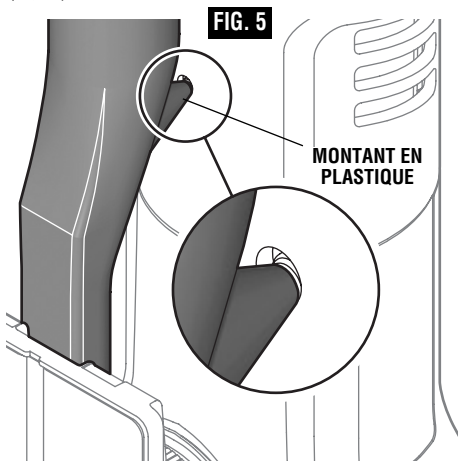
(non compris, disponible en accessoire)

On peut fixer un tube adaptateur pour tuyau d'aspiration et pare-poussière (accessoire en option) pour aspirer le bran de scie et les copeaux. Le tube adaptateur pour tuyau d'aspiration sert à raccorder le tuyau d'aspiration.

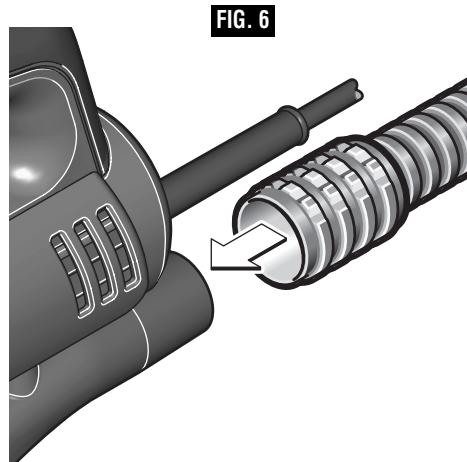
ATTENTION : Il ne faut utiliser l'adaptateur pour tuyau d'aspiration avec le pare-poussière que lorsqu'il est raccordé à un tuyau d'aspiration.

Pour utiliser cette fonction, fixez le tube adaptateur pour tuyau d'aspiration à la semelle. Lorsque vous insérez le tube adaptateur dans la semelle, assurez-vous que son ergot en plastique pénètre dans le trou correspondant du carter du moteur (Fig. 5).

Pour l'aspiration, vous pouvez raccorder directement un flexible d'aspirateur Bosch Air Sweep (accessoire en option) au tube adaptateur de flexible d'aspirateur (Fig. 6).



Pour un ramassage maximal de la poussière, vous devez poser le déflecteur de copeaux.



POSE DE LA SURSEMELLE QUI N'ABÎME PAS

Votre outil est pourvu d'une sursemelle protectrice en plastique qui protège les surfaces plus fines.

Pour fixer, accrochez la sursemelle par-dessus l'avant de la semelle en métal et enclenchez en place à l'arrière de la semelle (Fig. 7).

INSERT ANTI-ÉCLATS

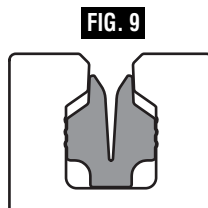
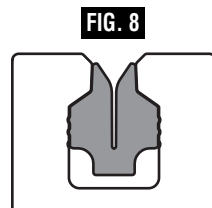
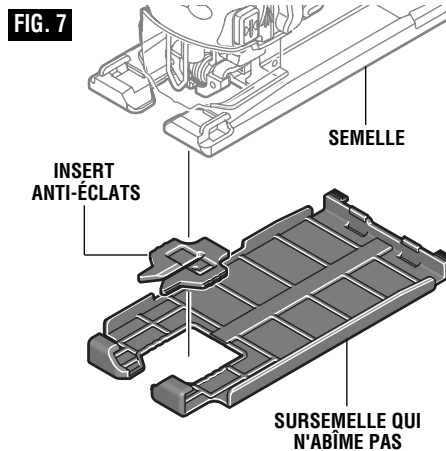
Afin de réduire au minimum l'éclatement de la surface supérieure du matériau qui est coupé, placez l'insert anti-éclats dans l'ouverture de lame de la semelle (Fig. 7).

La pièce rapportée anti-éclats peut occuper deux positions possibles dans la semelle.

Avec des lames de scie étroites, positionnez la pièce complètement vers l'avant de l'ouverture (Fig. 8).

Avec des lames de scie plus larges, positionnez la pièce complètement à l'arrière de l'ouverture (Fig. 9).

Remarque : Cet insert ne fonctionnera qu'avec des lames possédant des côtés rectifiés, telles que les T301CD, T101B, T101D, et T101DP.



Consignes de fonctionnement

VITESSE DU PLOUGEUR

La course ou la vitesse de coupe requise de la scie sauteuse dépend du matériau qui est coupé, du type de lame employé, et du taux d'alimentation préféré de l'opérateur.

C'est l'expérience qui permet en grande partie de déterminer la vitesse convenant le mieux à une application particulière bien qu'en règle générale, les vitesses plus lentes soient destinées aux matériaux plus denses et les vitesses plus rapides aux matériaux plus mous.

Il convient de remarquer que lorsque la scie sauteuse est utilisée à bas réglages de vitesse pendant une période prolongée, la température du moteur augmentera en raison des vitesses plus lentes du ventilateur de refroidissement interne. Dans ces cas, il faut parfois faire fonctionner l'outil à vitesse maximale pendant quelques minutes pour continuer à faire tourner le moteur avec une très grande efficacité.

INTERRUPTEUR À GÂCHETTE AVEC BOUTON DE BLOCAGE EN MARCHÉ (Modèles 1590EVS seulement)

Votre scie sauteuse peut être mise en marche ou à l'arrêt en pressant ou en relâchant la gâchette. Votre scie sauteuse est également pourvue d'un bouton de blocage en marche situé immédiatement au-dessus de la gâchette qui permet le fonctionnement continu sans devoir tenir la gâchette (Fig. 1).

POUR BLOQUER L'INTERRUPTEUR EN MARCHÉ : Appuyez à fond sur la gâchette, enfoncez le bouton et relâchez la gâchette.

POUR DÉBLOQUER L'INTERRUPTEUR : Appuyez sur la gâchette et relâchez-la sans enfoncer le bouton de blocage en marche.

⚠ AVERTISSEMENT Si le bouton de blocage en marche est enfoncé continuellement, la gâchette ne peut pas être relâchée.

INTERRUPTEUR MARCHÉ-ARRÊT À GLISSIÈRE (Modèles 1591EVS seulement)

L'outil se met en marche à l'aide du bouton interrupteur situé sur le côté du carter du moteur. L'interrupteur se bloque à la position de marche, ce qui est pratique pour le sciage en continu (Fig. 1).

POUR METTRE L'OUTIL EN MARCHÉ, faites glisser le bouton interrupteur vers l'avant.

POUR DÉBLOQUER L'INTERRUPTEUR, faites-le glisser vers l'arrière.

CIRCUIT D'ASSERVISSEMENT

« CONSTANT RESPONSE »

Le système d'asservissement électronique intégré assure un « démarrage progressif », réduisant ainsi les contraintes normalement produites par les démarrages à couple élevé. Le système permet également de maintenir la vitesse en charge à la valeur choisie, ce qui maximise les performances.

CADRAN DE VITESSE VARIABLE

Votre scie sauteuse est pourvue d'un cadran de vitesse variable. Vous pouvez régler la course de la lame durant l'opération de coupe en pré réglant le cadran sur ou entre n'importe lequel de six numéros.

Réglage	Taux SPM (courses par minute)
1	500
2	500-800
3	500-1400
4	500-1900
5	500-2400
6	500-2800

LEVIER SÉLECTEUR D'ORBITE DE LAME

On peut obtenir une efficacité maximale de coupe en réglant le levier sélecteur d'orbite de lame en fonction du matériau qu'on coupe.

Le tableau suivant vous aidera à déterminer le réglage à utiliser pour votre application. Ce tableau est destiné uniquement à servir de guide, et vous devez d'abord procéder à des coupes d'essai dans des matériaux de rebut afin de déterminer le meilleur réglage.



Réglage 0

Matériaux durs tels que métaux ou tôles minces et utilisés avec des lames de couteau, des lames à bord abrasif, du travail de râpe, et des lames de coupe vers le bas.



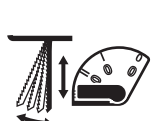
Réglage 1

Matériaux mous où un travail de coupe plus nette ou de chantournage délicat est exécuté.



Réglage 2

Matériaux à densité moyenne tels que bois plus durs et panneaux d'agglomérés.



Réglage 3

Matériaux mous tels que bois, plastiques, etc., et lorsqu'une coupe rapide est plus importante qu'une coupe nette.

SOUFFLE-COPEAUX

Votre scie est pourvue d'un souffle-copeaux à deux positions pour aider à garder la ligne de coupe exempte de copeaux.

En réglant le levier du souffle-copeaux, vous pouvez modifier la force de l'air de décharge comme suit :



SOUFFLE-COPEAUX EN MARCHÉ

Pour le travail avec le bois, les plastiques et les matériaux similaires qui produisent de grandes quantités de bran de scie.



SOUFFLE-COPEAUX À L'ARRÊT

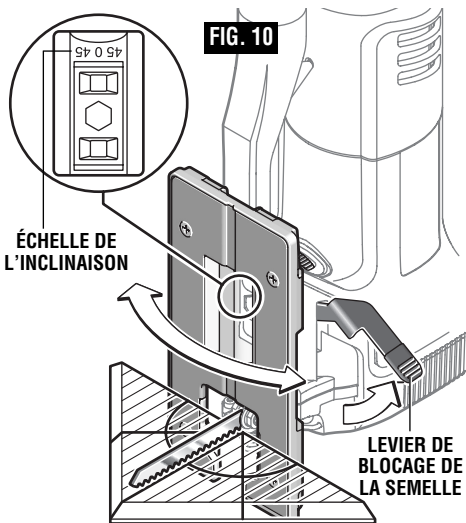
Pour le travail des métaux et lorsque des agents de refroidissement sont utilisés, ou avec l'accessoire de ramassage des poussières.

RÉGLAGE DE L'ANGLE DE LA SEMELLE

La semelle peut être inclinée de manière à permettre des coupes à angle jusqu'à 45° dans un sens ou dans l'autre (Fig. 10).

Pour régler la semelle, démontez le pare-poussières s'il est installé, ouvrez le levier de blocage de la semelle et faites coulisser celle-ci légèrement vers l'avant de l'outil, puis faite-la pivoter pour la mettre à l'angle désiré (Fig. 10).

Remarque : Si vous n'arrivez pas à régler la semelle ou si vous avez des difficultés après avoir débloqué le levier de blocage de la semelle, tournez la molette tendeuse dans le sens « - » (Fig. 11).



Les fentes à cran tiendront la semelle fermement à 45°, et des marques de position supplémentaires sont prévues pour les angles de 15, 22,5 et de 30 degrés. Des angles intermédiaires peuvent être réglés à l'aide d'un rapporteur (Fig. 10).

Après avoir réglé la semelle, fermez bien le levier de blocage de la semelle afin de bloquer le réglage (Fig. 10).

Remarque : Si le levier de blocage ne serre pas suffisamment la semelle quand il est fermé, ouvrez-le et tournez la molette tendeuse dans le sens « + » jusqu'à ce que vous obteniez la tension désirée (Fig. 11).

COUPE À AFFLEUREMENT

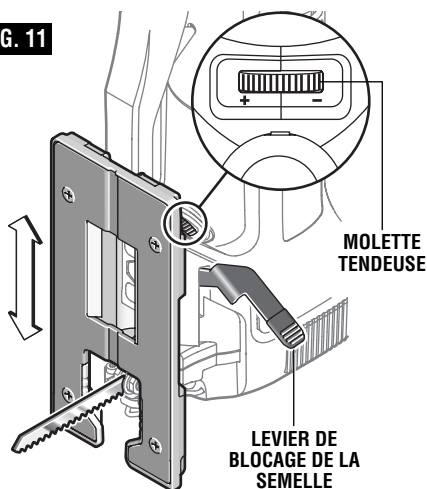
Pour obtenir une coupe perpendiculaire à proximité d'une surface verticale, la semelle de la scie peut être repositionnée comme suit.

Il convient de remarquer que lorsque la semelle est ainsi rétractée, seules des coupes de 90° sont possibles, et le guide de coupe et le guide d'insert anti-éclats en option ne peuvent pas être utilisés.

Desserrez la vis, remettez la semelle dans la fente d'alignement de 0°, et serrez la vis solidement (Fig. 11).

Remarque : Si vous n'arrivez pas à régler la semelle ou si vous avez des difficultés après avoir débloqué le levier de blocage de la semelle, tournez la molette tendeuse dans le sens « - » (Fig. 11).

FIG. 11



Après avoir réglé la semelle, fermez bien le levier de blocage de la semelle afin de bloquer le réglage (Fig. 11).

Remarque : Si le levier de blocage ne serre pas suffisamment la semelle quand il est fermé, ouvrez-le et tournez la molette tendeuse dans le sens « + » jusqu'à ce que vous obteniez la tension désirée (Fig. 11).

CONSEILS CONCERNANT LES OUTILS

Assurez-vous toujours que les ouvrages plus petits sont fixés solidement à un établi ou autre support. Les panneaux plus grands peuvent être tenus en place à l'aide de pinces de fixation sur un établi ou de chevalets de scieur.

Pour commencer une coupe, marquez clairement la ligne de coupe, et faites reposer l'avant de la semelle sur l'ouvrage. Engagez l'interrupteur, et mettez la lame dans l'ouvrage en n'utilisant qu'une pression avant afin que la lame continue à couper régulièrement. Ne forcez pas, car ceci n'entraînera pas une coupe plus rapide, laissez la lame faire le travail.

Choisissez les lames soigneusement car l'aptitude de la scie sauteuse à suivre les courbes, à produire des finis réguliers ou à scier rapidement est directement fonction du type de lame employé (consultez votre revendeur Bosch).

Pour les courbes serrées il est préférable d'utiliser une lame étroite ou à chantourner.

Pour le sciage du métal ou de matériaux similaires, éteignez la soufflette et arrosez le long du trait de scie avec du liquide de coupe ou du lubrifiant.

Pour scier du bois épais, utilisez le bouton de renforcement de la précision pour améliorer le guidage latéral de la lame de scie.

COUPE EN PLONGÉE

La coupe en plongée est utile et pratique pour pratiquer des ouvertures grossières dans les matériaux plus mous. Il n'est pas nécessaire de percer un trou pour une coupe intérieure ou en guichet. Tracez les lignes de l'ouverture, tenez fermement la scie, inclinez-la de sorte que l'extrémité avant de sa semelle repose sur la pièce, mais la lame suffisamment éloignée. Mettez le moteur en marche, puis abaissez très graduellement la lame. Quand elle touche à la pièce, continuez d'appuyer sur l'extrémité avant de la semelle en rabattant lentement la scie comme une charnière jusqu'à ce que la lame traverse le matériau et que la semelle repose à plat sur la pièce. Ensuite, continuez de scier dans la ligne. Nous ne recommandons pas la coupe en plongée avec une lame à chantourner.

Pour exécuter des coins bien carrés, coupez jusqu'au coin, puis reculez légèrement avant de contourner. N'essayez pas de pratiquer la coupe en plongée dans des matériaux durs tels que l'acier.

COUPE-CERCLES ET GUIDE PARALLÈLE (non compris, disponible en accessoire)

Cet accessoire est disponible moyennant supplément de prix. Il permet d'exécuter des coupes rectilignes et circulaires précises en rapidité (Fig. 12).

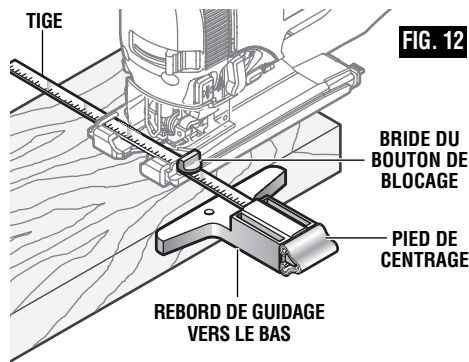
SCIAGE PARALLÈLE

1. Enfilez la tige du guide dans la bride du bouton de blocage puis par les fentes prévues dans la semelle en commençant par l'un ou l'autre côté de la semelle et avec le rebord de guidage tourné vers le BAS (Fig. 12).

2. Accrochez la bride du bouton de blocage sur le bord de la semelle, réglez le guide à la largeur désirée et serrez fermement la bride du bouton de blocage (Fig. 12).

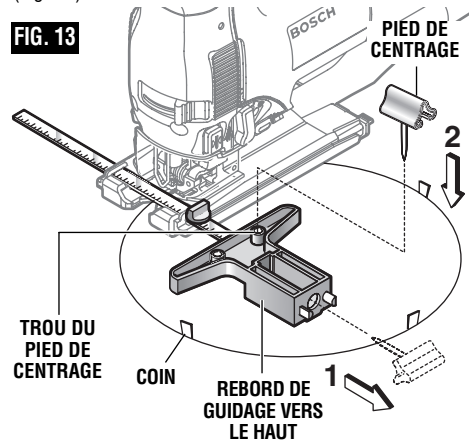
DÉCOUPAGE DE CERCLES

1. Avant de monter le guide, tracez un cercle et percez un trou de centre de 13/64 po dans la pièce.



2. Percez un trou ou faites une coupe en plongée près du bord du cercle, mettez la scie hors tension et retirez le cordon de la prise de courant.

3. Montez le guide de manière à scier avec le rebord de guidage tourné vers le HAUT comme indiqué (Fig. 13).



4. Enlevez le pied de centrage de l'extrémité du guide, enfoncez-le dans le trou prévu à cet effet dans le guide et placez-le dans le trou pratiqué au centre de la pièce.

5. Mesurez la distance depuis le trou choisi jusqu'à la lame pour correspondre au rayon du cercle.

6. Rebranchez le cordon d'alimentation, saisissez fermement la scie par la poignée, appuyez sur la gâchette de commande et dirigez lentement la scie vers l'avant. Pour découper une ouverture, procédez de l'intérieur du cercle ; pour découper des roues ou des disques, procédez de l'extérieur du cercle.

Conseil pratique : Procédez lentement de sorte que la lame reste bien droite dans le trait de coupe. Insérez des petits coins de bois dans le trait de coupe (comme l'indique la Fig. 13), pour empêcher le disque intérieur de se décrocher quand vous serez sur le point de terminer la coupe.

Entretien

Service

⚠ AVERTISSEMENT Tout entretien préventif effectué par des personnels non autorisés peut résulter en mauvais placement de fils internes ou de pièces, ce qui peut présenter un danger grave. Nous vous conseillons de faire faire tout l'entretien par un centre de service d'usine Skil ou une station service agréée Skil.

LUBRIFICATION DE L'OUTIL

Votre outil Skil a été lubrifié correctement en usine et il est prêt à l'utilisation. Nous vous conseillons de re-graisser les outils qui comportent des engrenages avec un lubrifiant à engrenages spécial à chaque fois que vous changez les balais.

BALAI S OU CHARBONS

Les balais (ou charbons) et le collecteur de votre outil ont été conçus pour apporter de nombreuses heures de fonctionnement fiable. Pour maintenir le rendement du moteur à son maximum, nous vous conseillons de contrôler les balais tous les deux à six mois. Il ne faut utiliser que des balais de rechange Skil d'origine et conçus pour votre outil.

PALIER S

Après environ 300 à 400 heures de fonctionnement ou tous les deux changements de balais, il est conseillé

de faire remplacer les paliers par un centre de service d'usine Skil ou une station service agréée Skil. Si les paliers commencent à faire du bruit (à cause de surcharges importantes ou du toupillage de matériaux très abrasifs) il faut les faire remplacer immédiatement pour éviter la surchauffe ou une panne de moteur.

Nettoyage

⚠ AVERTISSEMENT Pour éviter les accidents, il faut toujours débrancher l'outil avant de le nettoyer ou de l'entretenir. Le meilleur moyen de nettoyer l'outil est d'utiliser de l'air comprimé sec. Il faut toujours porter des lunettes de protection quand on utilise de l'air comprimé.

Les ouïes de ventilation et les leviers de l'interrupteur doivent rester propres et exempts de corps étrangers. Ne tentez pas de les nettoyer en enfonçant des objets pointus dans les orifices.

⚠ MISE EN GARDE Certains agents de nettoyages et certains dissolvants abîment les pièces en plastique. Parmi ceux-ci se trouvent: l'essence, le tétrachlorure de carbone, les dissolvants de nettoyage chlorés, l'ammoniaque ainsi que les détergents domestiques qui en contiennent.

Accessoires

⚠ AVERTISSEMENT Si un cordon de rallonge devez utiliser un cordon avec conducteurs de dimension adéquate pouvant porter le courant nécessaire à votre outil. Ceci préviendra une chute excessive de tension, une perte de courant ou une surchauffe. Les outils mis à la terre doivent utiliser des cordons de rallonge trifilaires pourvus de fiches à trois broches ainsi que des prises à trois broches.

REMARQUE : Plus le calibre est petit, plus le fil est gros.

DIMENSIONS DE RALLONGES RECOMMANDÉES OUTILS 120 VOLTS COURANT ALTERNATIF

Intensité nominale de l'outil	Calibre A.W.G.				Calibre en mm ²			
	Longueur en pieds				Longueur en mètres			
	25	50	100	150	15	30	60	120
3-6	18	16	16	14	0,75	0,75	01,5	02,5
6-8	18	16	14	12	0,75	1,0	2,5	4,0
8-10	18	16	14	12	0,75	1,0	2,5	4,0
10-12	16	16	14	12	1,0	2,5	4,0	—
12-16	14	12	—	—	—	—	—	—

* Sursemelle qui n'abime pas

* Dispositif anti-éclats

* 3 lames assorties

** Kit d'aspiration des poussières, comprend le tube adaptateur pour tuyau d'aspiration, un tuyau d'aspiration, et le pare-poussières.

** Coupe-cercles et guide parallèle

* Étui (Modèles 1590EVS et 1591EVS seulement)

(* = équipement de série)

(** = accessoires optionnels)

Normas de seguridad para herramientas mecánicas



ADVERTENCIA Lea y entienda todas las instrucciones. El incumplimiento de todas las instrucciones indicadas a continuación puede dar lugar a sacudidas eléctricas, incendios y/o lesiones personales graves.

CONSERVE ESTAS INSTRUCCIONES

Area de trabajo

Mantenga el área de trabajo limpia y bien iluminada.

Las mesas desordenadas y las áreas oscuras invitan a que se produzcan accidentes.

No utilice herramientas mecánicas en atmósferas explosivas, tales como las existentes en presencia de líquidos, gases o polvos inflamables. Las herramientas mecánicas generan chispas y éstas pueden dar lugar a la ignición del polvo o los vapores.

Mantenga a las personas que se encuentren presentes, a los niños y a los visitantes alejados al utilizar una herramienta mecánica. Las distracciones pueden hacer que usted pierda el control.

Seguridad eléctrica

Las herramientas con aislamiento doble están equipadas con un enchufe polarizado (un terminal es más ancho que el otro). Este enchufe entrará en un tomacorriente polarizado solamente de una manera. Si el enchufe no entra por completo en el tomacorriente, déle la vuelta. Si sigue sin entrar, póngase en contacto con un electricista competente para instalar un tomacorriente polarizado. No haga ningún tipo de cambio en el enchufe. El aislamiento doble elimina la necesidad del sistema de cordón de energía de tres hilos conectado a tierra y la fuente de energía conectada a tierra. Antes de enchufar la herramienta, asegúrese de que la tensión del tomacorriente suministrada se encuentre dentro del margen de la tensión especificada en la placa del fabricante. No utilice herramientas con capacidad nominal "AC solamente" ("AC only") con una fuente de energía DC.

Evite el contacto del cuerpo con las superficies conectadas a tierra tales como tuberías, radiadores, estufas de cocina y refrigeradores. Hay mayor riesgo de que se produzcan sacudidas eléctricas si su cuerpo está conectado a tierra. Si la utilización de la herramienta mecánica en lugares húmedos es inevitable, se debe usar un interruptor de circuito para fallos a tierra para suministrar la energía a la herramienta. Los guantes de goma para electricista y el calzado antideslizante aumentarán más la seguridad personal.

No exponga las herramientas mecánicas a la lluvia ni a situaciones húmedas. La entrada de agua en una herramienta mecánica aumentará el riesgo de que se produzcan sacudidas eléctricas.

No abuse del cordón. Nunca use el cordón para llevar las herramientas ni para sacar el enchufe de un

tomacorriente. Mantenga el cordón alejado del calor, el aceite, los bordes afilados o las piezas móviles. Cambie los cordones dañados inmediatamente. Los cordones dañados aumentan el riesgo de que se produzcan sacudidas eléctricas.

Al utilizar una herramienta mecánica a la intemperie, utilice un cordón de extensión para intemperie marcado "W-A" o "W". Estos cordones tienen capacidad nominal para uso a la intemperie y reducen el riesgo de que se produzcan sacudidas eléctricas. Consulte "Tamaños recomendados de los cordones de extensión" en la sección Accesorios de este manual.

Seguridad personal

Manténgase alerta, fíjese en lo que está haciendo y use el sentido común cuando utilice una herramienta mecánica. No use la herramienta cuando esté cansado o se encuentre bajo la influencia de drogas, alcohol o medicamentos. Un momento de distracción al utilizar herramientas mecánicas puede dar lugar a lesiones personales graves.

Vístase adecuadamente. No se ponga ropa holgada ni joyas. Sujétese el pelo. Mantenga el pelo, la ropa y los guantes alejados de las piezas móviles. La ropa holgada, las joyas o el pelo largo pueden quedar atrapados en las piezas móviles. Mantenga los mangos secos, limpios y libres de aceite y grasa.

Evite el arranque accidental. Asegúrese de que el interruptor esté en la posición "OFF" (apagado) antes de enchufar la herramienta. El llevar las herramientas con el dedo en el interruptor o el enchufar herramientas que tengan el interruptor en la posición "ON" (encendido) invita a que se produzcan accidentes.

Quite las llaves de ajuste o de tuerca antes de encender la herramienta. Una llave de ajuste o de tuerca que se deje puesta en una pieza giratoria de la herramienta puede ocasionar lesiones personales.

No intente alcanzar demasiado lejos. Mantenga un apoyo de los pies y un equilibrio adecuados en todo momento. El apoyo de los pies y el equilibrio adecuados permiten un mejor control de la herramienta en situaciones inesperadas.

Utilice equipo de seguridad. Use siempre protección de los ojos. Se debe utilizar una máscara antipolvo, zapatos de seguridad antideslizantes, casco o protección de los oídos según lo requieran las condiciones.

Utilización y cuidado de las herramientas
Utilice abrazaderas u otro modo práctico de fijar y

soportar la pieza de trabajo a una plataforma estable. La sujeción de la pieza de trabajo con la mano o contra el cuerpo resulta inestable y puede ocasionar pérdida de control.

No fuerce la herramienta. Use la herramienta correcta para la aplicación que desea. La herramienta correcta hará el trabajo mejor y con más seguridad a la capacidad nominal para la que está diseñada.

No utilice la herramienta si el interruptor no la enciende o apaga. Toda herramienta que no se pueda controlar con el interruptor es peligrosa y debe ser reparada.

Desconecte el enchufe de la fuente de energía antes de hacer cualquier ajuste, cambiar accesorios o guardar la herramienta. Estas medidas de seguridad preventivas reducen el riesgo de arrancar la herramienta accidentalmente.

Guarde las herramientas que no esté usando fuera del alcance de los niños y otras personas no capacitadas. Las herramientas son peligrosas en las manos de los usuarios no capacitados.

Mantenga las herramientas con cuidado. Conserve las herramientas de corte afiladas y limpias. Las herramientas mantenidas adecuadamente, con bordes de corte afilados, tienen menos probabilidades de atascarse y son más fáciles de controlar. Toda alteración o modificación constituye un uso incorrecto y puede tener como resultado una situación peligrosa.

Compruebe la desalineación o el atasco de las piezas móviles, la ruptura de piezas y cualquier otra situación que pueda afectar el funcionamiento de las

herramientas. Si la herramienta está dañada, haga que realicen un servicio de ajustes y reparaciones a la herramienta antes de usarla. Muchos accidentes son causados por herramientas mantenidas deficientemente. Establezca un programa de mantenimiento periódico para la herramienta.

Utilice únicamente accesorios que estén recomendados por el fabricante de su modelo. Los accesorios que pueden ser adecuados para una herramienta pueden volverse peligrosos cuando se utilizan en otra herramienta.

Servicio

El servicio de ajustes y reparaciones de una herramienta debe ser realizado únicamente por personal de reparaciones competente. El servicio o mantenimiento realizado por personal no competente podría ocasionar un peligro de que se produzcan lesiones. Por ejemplo: Los cables internos pueden colocarse mal o pellizcarse, los resortes de retorno de los protectores de seguridad pueden montarse inadecuadamente.

Al realizar servicio de ajustes y reparaciones de una herramienta, utilice únicamente piezas de repuesto idénticas. Siga las instrucciones que aparecen en la sección Mantenimiento de este manual. El uso de piezas no autorizadas o el incumplimiento de las instrucciones de Mantenimiento puede ocasionar un peligro de que se produzcan sacudidas eléctricas o lesiones. Ciertos agentes de limpieza, tales como gasolina, tetracloruro de carbono, amoníaco, etc., pueden dañar las piezas de plástico.

Normas de seguridad para sierras de vaivén

Sujete la herramienta por las superficies de agarre aisladas cuando realice una operación en la que la herramienta de corte pueda entrar en contacto con cables ocultos o con su propio cordón. El contacto con un cable que tenga corriente hará que ésta pase a las partes metálicas descubiertas de la herramienta y que el operador reciba sacudidas eléctricas. No taladre, rompa, ni haga trabajo de sujeción en paredes existentes ni en otras áreas ciegas donde pueda haber cables eléctricos. Si esta situación es inevitable, desconecte todos los fusibles o cortacircuitos que alimentan este sitio de trabajo.

Nunca deje el gatillo fijo en la posición "ON" (encendido). Antes de enchufar la herramienta, compruebe que el cierre del gatillo esté en la posición "OFF" (apagado). Un arranque accidental podría causar lesiones.

Sepa la ubicación y la posición del botón de "Fijación en ON" del interruptor. Si el interruptor está fijo en la posición "ON" durante el uso, esté preparado para en situaciones de emergencia ponerlo

en "OFF", tirando primero del gatillo y soltándolo inmediatamente después sin oprimir el botón de "Fijación en ON".

Mantenga las manos alejadas del área de corte. No ponga la mano debajo del material que se está cortando. La proximidad de la hoja a la mano queda oculta a la vista.

Mantenga las manos alejadas del espacio entre la caja de engranajes y el soporte de la hoja de sierra. El soporte de la hoja de vaivén puede pellizcarle los dedos.


No utilice hojas desfiladas ni dañadas. Una hoja doblada puede romperse fácilmente o causar retroceso.

Antes de comenzar el corte, encienda la herramienta y deje que la hoja alcance toda su velocidad. La herramienta puede chirriar o vibrar si la velocidad de la hoja es demasiado lenta al comienzo del corte y posiblemente puede experimentar retroceso.

Fije el material antes de cortar. Nunca lo tenga en la mano ni sobre las piernas. El material pequeño o delgado puede curvarse o vibrar con la hoja, causando pérdida de control.

Asegúrese de que todos los tornillos de ajuste y el soporte de la hoja estén apretados antes de hacer un corte. Si los tornillos de ajuste y los soportes están flojos, pueden hacer que la herramienta o la hoja resbale, pudiendo producirse pérdida de control.

Al quitar la hoja de la herramienta, evite el contacto con la piel y use guantes protectores adecuados al agarrar la hoja o el accesorio. Los accesorios pueden estar calientes después del uso prolongado.

 ADVERTENCIA Cierta polvo generado por el lijado, aserrado, amolado y taladrado mecánicos, y por otras actividades de construcción, contiene agentes químicos que se sabe

que causan cáncer, defectos de nacimiento u otros daños sobre la reproducción. Algunos ejemplos de estos agentes químicos son:


- Plomo de pinturas a base de plomo,
- Sílice cristalina de ladrillos y cemento y otros productos de mampostería, y
- Arsénico y cromo de madera tratada químicamente.

Su riesgo por causa de estas exposiciones varía, dependiendo de con cuánta frecuencia realice este tipo de trabajo. Para reducir su exposición a estos agentes químicos: trabaje en un área bien ventilada y trabaje con equipo de seguridad aprobado, como por ejemplo máscaras antipolvo que estén diseñadas especialmente para impedir mediante filtración el paso de partículas microscópicas.

Símbolos

IMPORTANTE: Es posible que algunos de los símbolos siguientes se usen en su herramienta. Por favor, estúdielos y aprenda su significado. La interpretación adecuada de estos símbolos le permitirá utilizar la herramienta mejor y con más seguridad.

Símbolo	Nombre	Designación/explicación
V	Volt	Tensión (potencial)
A	Ampere	Corriente
Hz	Hertz	Frecuencia (ciclos por segundo)
W	Watt	Potencia
kg	Kilogramo	Peso
min	Minuto	Tiempo
s	Segundo	Tiempo
∅	Diámetro	Tamaño de las brocas taladradoras, muelas, etc.
n_0	Velocidad sin carga	Velocidad rotacional sin carga
.../min	Revoluciones o alternación por minuto	Revoluciones, golpes, velocidad de superficie, órbitas, etc., por minuto
0	Posición "off" (apagado)	Velocidad cero, par motor cero...
1, 2, 3, ... I, II, III,	Graduaciones del selector	Graduaciones de velocidad, par motor o posición. Un número más alto significa mayor velocidadselector settings
	Selector infinitamente variable con apagado	La velocidad aumenta desde la graduación de 0
	Flecha	Acción en la dirección de la flecha
	Corriente alterna	Tipo o una característica de corriente
	Corriente continua	Tipo o una característica de corriente
	Corriente alterna o continua	Tipo o una característica de corriente
	Construcción de clase II	Designa las herramientas de construcción con aislamiento doble.
	Terminal de toma de tierra	Terminal de conexión a tierra
	Símbolo de advertencia	Alerta al usuario sobre mensajes de advertencia
	Sello RBRC™ de Ni-Cd	Designa el programa de reciclaje de baterías de Ni-Cd


 Este símbolo indica que esta herramienta está catalogada por Underwriters Laboratories.



Este símbolo indica que Underwriters Laboratories ha catalogado esta herramienta indicando que cumple las normas canadienses.



Este símbolo indica que esta herramienta cumple con la norma mexicana oficial (NOM).

 Este símbolo indica que esta herramienta está catalogada por la Canadian Standards Association.



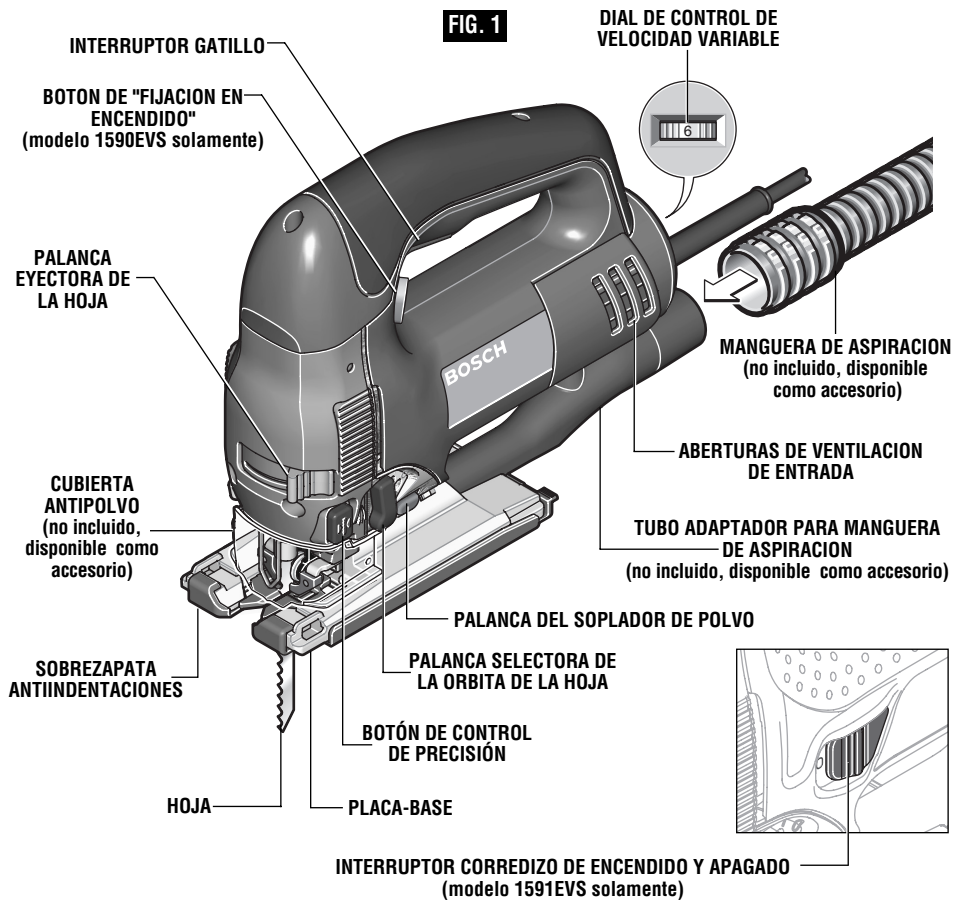
Este símbolo indica que esta herramienta está catalogada por Underwriters Laboratories y que Underwriters Laboratories la ha catalogado según las normas canadienses.

Descripción funcional y especificaciones



ADVERTENCIA Desconecte el enchufe de la fuente de energía antes de realizar cualquier ensamblaje o ajuste, o cambiar accesorios. Estas medidas de seguridad preventivas reducen el riesgo de arrancar la herramienta accidentalmente.

Sierras caladoras



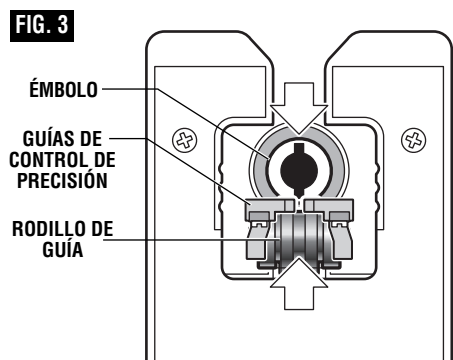
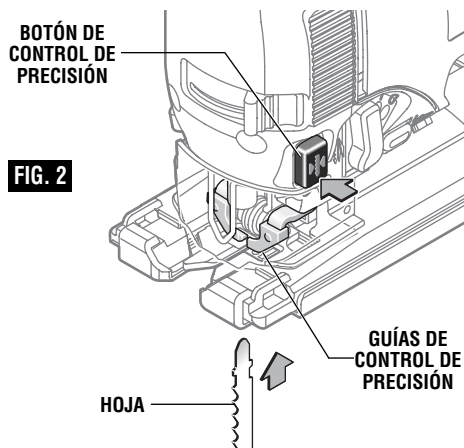
Número de modelo	1590EVS y 1591EVS
Tensión nominal	120 V ~ 50 - 60Hz
Amperaje nominal	6,4 A
Capacidad sin carga	n_0 500-2 800/min
Longitud de carrera	25 mm
Madera	135 mm
Aluminio	19 mm
Acero	10 mm
Acero inoxidable	3 mm

Ensamblaje

INSTALACIÓN Y REMOCIÓN DE LA HOJA

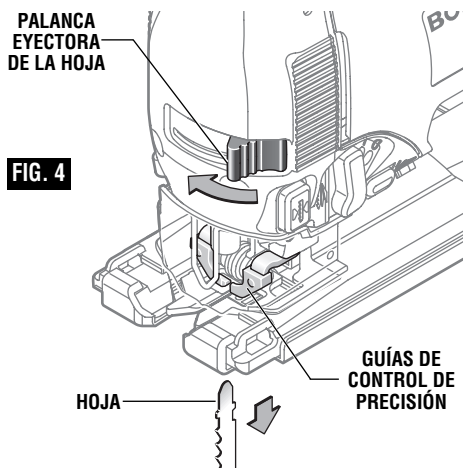
Esta sierra caladora está equipada con el sistema de cambio de hoja sin herramientas "One Touch" de Bosch. Este sistema hace que el cambio de hojas sea sencillo y rápido.

Introduzca la hoja de sierra (con los dientes en el sentido de corte) hasta que se acople en el émbolo (Fig. 2). Al introducir la hoja de sierra, la parte posterior de la hoja debe descansar en la ranura del rodillo de guía (Fig. 3).



Nota: Si la hoja de sierra no se puede introducir en el émbolo, las ranuras del portahoja no están posicionadas de la manera que se muestra en la ilustración, o debido a que las guías de control de precisión están cerradas, empuje la palanca eyectora de la hoja brevemente hacia la parte delantera y suéltela (Fig. 4).

Para cambiar la hoja de sierra, empuje la palanca eyectora hasta el tope central; esto suelta las guías de control de precisión y eyecta la hoja de sierra (Fig. 4).



Al cambiar la hoja, la herramienta se debe sujetar de manera que la hoja sea eyectada de modo seguro.

CONTROL DE PRECISIÓN



Las guías de control de precisión se diseñaron para mejorar la precisión de corte vertical de la hoja de sierra.

Para utilizar este dispositivo, simplemente oprima el botón de control de precisión para cerrar las guías con el fin de lograr control de precisión. Una vez hecho esto, la hoja de sierra será guiada lateralmente por las guías de control de precisión, lo cual permite realizar cortes de precisión.

Las guías de control de precisión se pueden utilizar para todas las aplicaciones, incluyendo los cortes en bisel. El control de precisión se recomienda para realizar cortes en madera gruesa, ya que se mantiene el ángulo de corte y se reduce la desviación de la hoja de sierra. Consulte "Consejos de utilización" para obtener más información.

EXTRACCIÓN DE POLVO

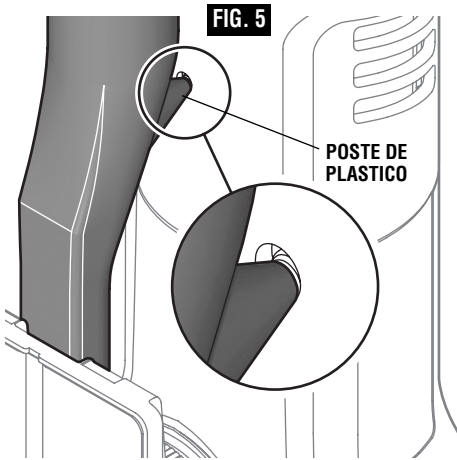
(no incluido, disponible como accesorio)

Se pueden acoplar un tubo adaptador para manguera de aspiración y una cubierta antipolvo (accesorio opcional) para la extracción de polvo y virutas. El tubo adaptador para manguera de aspiración sirve como conector para la manguera de aspiración.

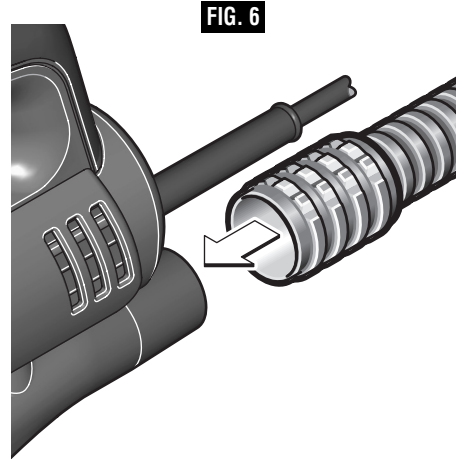
ATENCIÓN: El adaptador para manguera de aspiración se debe usar solamente con la cubierta antipolvo cuando esté conectado a una aspiradora.

Para utilizar este dispositivo, acople el tubo adaptador para manguera de aspiración a la placa-base. Al introducir el tubo adaptador en la placa-base, asegúrese de que el poste de plástico del tubo adaptador se acople en el agujero correspondiente de la caja del motor (Fig. 5).

Para aspiración, puede conectarse una manguera de aspiración Air Sweep de Bosch (accesorio opcional) directamente al tubo adaptador para manguera de aspiración (Fig. 6).



Para que la recogida de polvo con la aspiradora sea máxima, la cubierta antipolvo debe estar instalada.



COLOCACION DE LA SOBREPATA ANTIINDENTACIONES

La herramienta está equipada con una sobrepata protectora de plástico que protege las superficies más finas.

Para colocar la sobrepata, engánchela sobre la parte delantera de la placa-base de metal y acóplela a presión en su sitio en la parte trasera de la placa-base (Fig. 7).

ACCESORIO DE INSERCIÓN ANTIASILLAS

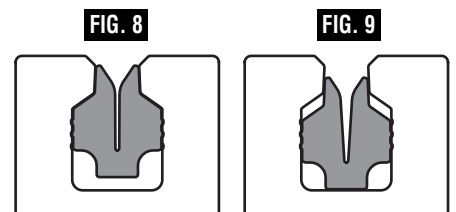
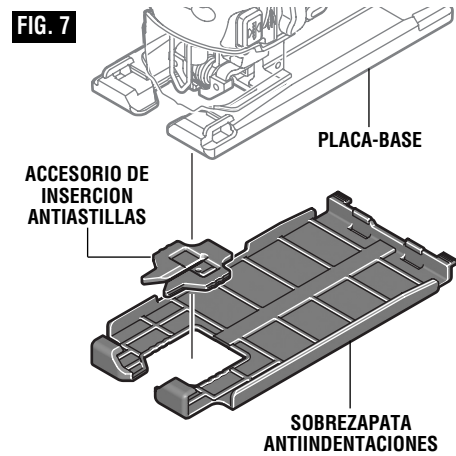
Para minimizar el astillamiento de la superficie superior del material que se esté cortando, coloque el accesorio de inserción antiastillas en la abertura de la hoja que está en la placa-base (Fig. 7).

El accesorio de inserción antiastillas se puede introducir en la placa-base en dos posiciones.

En el caso de hojas de sierra estrechas, coloque el accesorio de inserción completamente en la parte delantera de la abertura (Fig. 8).

En el caso de hojas de sierra más anchas, coloque el accesorio de inserción completamente en la parte de atrás de la abertura (Fig. 9).

Nota: Este accesorio de inserción sólo funciona con hojas que tengan lados amolados, como la T301CD, T101B, T101D y T101DP.



Instrucciones de funcionamiento

VELOCIDAD DEL EMBOLO

La velocidad requerida de corte o velocidad de carrera de la sierra caladora depende del material que se esté cortando, del tipo de hoja que se esté utilizando y de la velocidad de avance preferida por el operador.

La mejor velocidad para una aplicación específica se determina en su mayor parte por la experiencia, aunque como regla general, las velocidades más lentas son para materiales más densos y la velocidad más rápida es para materiales más blandos.

Tenga en cuenta que cuando la sierra caladora se utilice en las posiciones de baja velocidad durante un período de tiempo prolongado, la temperatura del motor subirá debido a las velocidades más lentas del ventilador interno de refrigeración. En dichos casos, es necesario hacer funcionar la herramienta ocasionalmente a máxima velocidad durante unos minutos para mantener el motor girando con una eficiencia máxima.

INTERRUPTOR GATILLO CON BOTON DE "FIJACION EN ENCENDIDO" (Modelos 1590EVS solamente)

La sierra caladora puede encenderse o apagarse apretando o soltando el gatillo. La sierra caladora también está equipada con un botón de "Fijación en encendido" ubicado justo encima del gatillo, que permite el funcionamiento continuo sin tener que mantener apretado el gatillo (Fig. 1).

PARA FIJAR EL INTERRUPTOR EN LA POSICION DE ENCENDIDO: Apriete el gatillo completamente, oprima el botón y suelte el gatillo.

PARA DESBLOQUEAR EL INTERRUPTOR: Apriete el gatillo y suéltelo sin oprimir el botón "Fijación en encendido".

ADVERTENCIA Si el botón de "Fijación en encendido" se oprime continuamente, el gatillo no puede soltarse.

INTERRUPTOR CORREDIZO DE ENCENDIDO Y APAGADO (Modelos 1591EVS solamente)

La herramienta se enciende mediante el botón del interruptor ubicado en un lado de la caja del motor. El interruptor se fija en la posición de encendido, lo cual resulta práctico para el funcionamiento continuo (Fig. 1).

PARA ENCENDER LA HERRAMIENTA, deslice el botón del interruptor hacia adelante.

PARA DESBLOQUEAR EL INTERRUPTOR, deslice el botón del interruptor hacia atrás.

CIRCUITERÍA DE RESPUESTA CONSTANTE

El sistema electrónico interno de retroalimentación proporciona un "arranque suave" que reducirá las tensiones que se producen como consecuencia de un arranque de par motor alto. El sistema también mantiene la velocidad seleccionada bajo carga para brindar la máxima eficiencia.

DIAL DE VELOCIDAD VARIABLE

La sierra caladora está equipada con un dial de velocidad variable. La velocidad de carrera de la hoja puede ajustarse durante la operación de corte preajustando el dial en cualquiera de los seis números o entre ellos.

Posición	Capacidad de CPM (carreras por minuto)
1	500
2	500-800
3	500-1400
4	500-1900
5	500-2400
6	500-2800

PALANCA SELECTORA DE LA ORBITA DE LA HOJA

Puede lograrse una eficiencia de corte máxima ajustando la palanca selectora de la órbita de la hoja para convenir con el material que se esté cortando.

El cuadro siguiente le ayudará a determinar qué posición debe usar para la aplicación que desea realizar. La finalidad de este cuadro es servir solamente como recomendación y deben realizarse primero cortes de prueba en material de desecho para determinar la mejor posición.

Posición 0

Materiales duros, como metales o chapas metálicas finas. Posición usada con cuchillas, hojas de filo de grano abrasivo, en trabajo de raspado y con hojas de corte hacia abajo.



Posición 1

Materiales blandos donde se realizan cortes más limpios o trabajo de contorneo delicado.



Posición 2

Materiales de densidad intermedia, como maderas más duras o tablero de partículas de madera.



Posición 3

Materiales blandos, como madera, plásticos, etc., y cuando el corte rápido sea más importante que un corte limpio.



SOPLADOR DE VIRUTAS

La sierra caladora está equipada con un soplador de virutas de dos posiciones para ayudar a mantener la línea de corte libre de virutas.

Al ajustar la palanca del soplador de virutas, la fuerza de la descarga de aire puede alterarse de la manera siguiente:



SOPLADOR ENCENDIDO

Para trabajar con madera, plástico y materiales similares que producen grandes cantidades de serrín.



SOPLADOR APAGADO

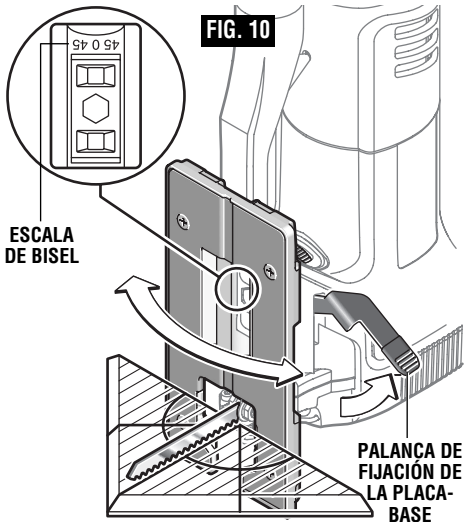
Para trabajar con metales y cuando se utilicen agentes refrigerantes, o con el accesorio de recolección de polvo.

AJUSTE DEL ANGULO DE LA PLACA-BASE

La placa-base puede inclinarse para permitir realizar cortes en ángulo de hasta 45° en cualquier sentido (Fig. 10).

Para ajustar la placa-base, quite la cubierta antipolvo si se está utilizando, abra la palanca de fijación de la placa-base, deslice la placa-base ligeramente hacia adelante, hacia la parte delantera de la herramienta, y luego gírela hasta el ángulo deseado (Fig. 10).

Nota: Si la placa-base no se puede ajustar o si se tiene dificultad después de haber soltado la palanca de fijación de la placa-base, gire la rueda tensora en el sentido "-" (Fig. 11).



Las ranuras de retén sujetarán la placa-base firmemente a 45° y hay marcas de posición adicionales para ángulos de 15°, 22.5° y 30°. Pueden ajustarse ángulos intermedios con un transportador de ángulos. Después de posicionar la placa-base, apriete firmemente el tornillo (Fig. 10).

Después de posicionar la placa-base, cierre la palanca de fijación de la placa-base para apretar firmemente el ajuste de la placa-base (Fig. 10).

Nota: Si la palanca de fijación no aprieta firmemente la placa-base después de cerrar la palanca, abra la palanca de fijación y gire la rueda tensora en el sentido "+" hasta que se haya logrado la tensión deseada (Fig. 11).

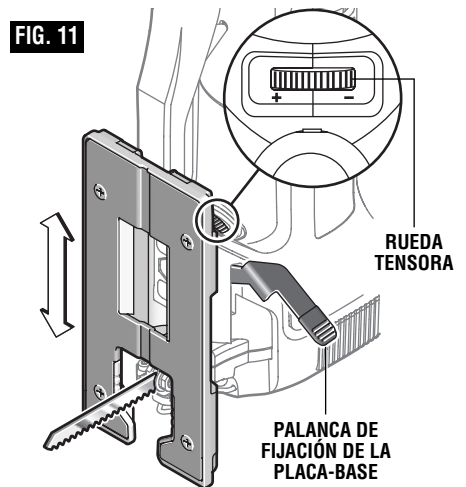
CORTE AL RAS

Para permitir que la sierra haga un corte perpendicular cerca de una superficie vertical, la placa-base debe reubicarse de la manera siguiente.

Tenga en cuenta que cuando la placa-base se retrae de esta manera, solamente es posible realizar cortes a 90°, y que la guía de corte opcional y la guía del accesorio de inserción antiastillas no pueden utilizarse.

Para ajustar la placa-base, quite la cubierta antipolvo y el accesorio de inserción antiastillas, abra la palanca de fijación de la placa-base y mueva la placa-base de vuelta a la ranura de alineación de 0° (Fig. 11).

Nota: Si la placa-base no se puede ajustar o si se tiene dificultad después de haber soltado la palanca de fijación de la placa-base, gire la rueda tensora en el sentido "-" (Fig. 11).



Después de posicionar la placa-base, cierre la palanca de fijación de la placa-base para apretar firmemente el ajuste de la placa-base (Fig. 11).

Nota: Si la palanca de fijación no aprieta firmemente la placa-base después de cerrar la palanca, abra la palanca de fijación y gire la rueda tensora en el sentido "+" hasta que se haya logrado la tensión deseada (Fig. 11).

CONSEJOS PARA LA HERRAMIENTA

Asegúrese siempre de que las piezas de trabajo más pequeñas estén sujetas firmemente a un banco u otro soporte. Los paneles más grandes pueden sujetarse en su sitio mediante abrazaderas sobre un banco o caballetes de aserrar.

Para comenzar un corte, marque claramente la línea de corte y apoye la parte delantera de la placa-base sobre la pieza de trabajo. Accione el interruptor y

mueva la hoja hacia el interior de la pieza de trabajo utilizando solamente suficiente presión hacia adelante para mantener la hoja cortando uniformemente. No fuerce la sierra, ya que esto no hará que corte más rápidamente; deje que la hoja haga el trabajo.

Seleccione las hojas cuidadosamente, ya que la capacidad de la sierra caladora para seguir curvas, proporcionar acabados más lisos o realizar cortes más rápidamente está relacionada directamente con el tipo de hoja que se utilice (Vea a su distribuidor Bosch.)

Para cortar curvas pronunciadas, lo mejor es usar una hoja estrecha o de contornear.

Al aserrar metal o materiales similares, apague el soplador de virutas y aplique refrigerante/lubricante a lo largo de la línea de corte.

Cuando corte madera gruesa, use el botón de control de precisión para aumentar la acción de guía lateral de la hoja de sierra.

CORTE MEDIANTE DESCENSO VERTICAL

El corte mediante descenso vertical es útil y ahorra tiempo al hacer aberturas bastas en materiales más blandos. No es necesario hacer un agujero para un corte interior o de bolsillo. Trace líneas para la abertura, agarre la sierra firmemente e inclínela hacia adelante para que la punta de la base de la sierra esté apoyada sobre la pieza de trabajo, pero con la hoja bien alejada de la pieza de trabajo. Arranque el motor y luego baje la hoja muy gradualmente. Cuando haga contacto, continúe ejerciendo presión hacia abajo sobre la punta de la base de la sierra, haciendo pivotar la sierra lentamente como una bisagra hasta que la hoja corte y la base se apoye horizontalmente sobre la pieza de trabajo. Luego, aserre hacia adelante siguiendo la línea de corte. No recomendamos el corte mediante descenso vertical con una hoja para desplazamiento continuo.

Para hacer esquinas muy pronunciadas, corte hasta la esquina y luego retroceda ligeramente antes de rodear la esquina. Después de terminar la abertura, vuelva a cada esquina y córtela desde el sentido contrario para completar el ángulo recto. No intente cortar mediante descenso vertical en materiales duros como por ejemplo acero.

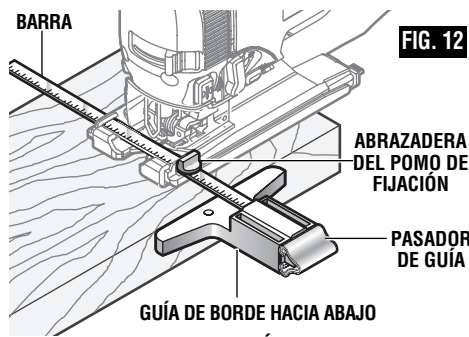
GUÍA DE CORTE CIRCULAR Y PARALELO (no incluido, disponible como accesorio)

Este accesorio se encuentra disponible a un costo adicional. Se utiliza para cortes recto y circular rápidos y precisos (Fig. 11).

PARALLEL CUTTING

1. Introduzca la barra de la guía a través de la abrazadera del pomo de fijación y luego a través de las ranuras provistas en el pie, desde cualquiera de los lados de dicho pie, con la guía de borde orientada hacia ABAJO (Fig. 12).

2. Enganche la abrazadera del pomo de fijación sobre el borde de la placa-base, ajuste el tope-guía a la anchura deseada y apriete firmemente la abrazadera del pomo de fijación (Fig. 12).

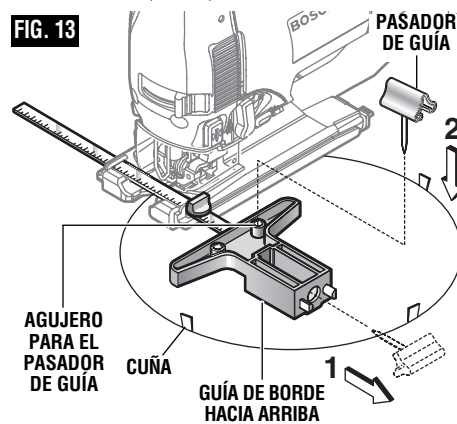


CORTES EN CÍRCULO

1. Antes de colocar la guía, dibuje un círculo y pretaladre un agujero central de 13/64" en la pieza de trabajo.

2. Perfore un corte o realicelo mediante descenso vertical cerca del borde del círculo, apague la sierra y desconecte el enchufe de la fuente de energía.

3. Coloque la guía en la sierra con la guía de borde orientada hacia ARRIBA de la manera que se muestra en la ilustración (Fig. 13).



4. Quite el pasador de guía del extremo de la guía y empuje dicho pasador a través del agujero provisto en la guía y luego al interior del agujero central de la pieza de trabajo.

5. Mida la distancia desde el agujero seleccionado hasta la hoja. Debe ser igual al radio del círculo.

6. Introduzca el enchufe en la fuente de energía, sujete la sierra firmemente, apriete el gatillo y empuje la sierra lentamente hacia adelante. Para hacer un agujero, corte desde dentro del círculo; para hacer ruedas o discos, corte desde fuera.

Consejo para cortar: Corte lentamente para que la hoja permanezca recta en el corte. Coloque pequeñas cuñas en el corte, tal como se muestra en la Fig. 13, para evitar que el círculo interior se separe cuando usted esté cerca del final del corte.

Mantenimiento

Servicio

⚠ ADVERTENCIA El mantenimiento preventivo realizado por personal no autorizado puede dar lugar a la colocación incorrecta de cables y componentes internos que podría constituir un peligro serio. Recomendamos que todo el servicio de las herramientas sea realizado por un Centro de servicio de fábrica Bosch o por una Estación de servicio Bosch autorizada.

LUBRICACIÓN DE LAS HERRAMIENTAS

Su herramienta Bosch ha sido lubricada adecuadamente y está lista para la utilización. Se recomienda que las herramientas con engranajes se vuelvan a engrasar con un lubricante especial para engranajes en cada cambio de escobillas.

ESCOBILLAS DE CARBÓN

Las escobillas y el conmutador de la herramienta han sido diseñados para muchas horas de servicio fiable. Para mantener un rendimiento óptimo del motor, recomendamos que cada dos a seis meses se examinen las escobillas. Sólo se deben usar escobillas de repuesto Bosch genuinas diseñadas específicamente para su herramienta.

RODAMIENTOS

Después de 300-400 horas de funcionamiento, o después de cada segundo cambio de escobillas, los

rodamientos deben cambiarse en un Centro de servicio de fábrica Bosch o en una Estación de servicio Bosch autorizada. Los rodamientos que se vuelven ruidosos (debido a la pesada carga o al corte de materiales muy abrasivos) deben ser sustituidos inmediatamente para evitar el sobrecalentamiento o el fallo del motor.

Limpieza

⚠ ADVERTENCIA Para evitar accidentes desconecte siempre la herramienta de la fuente de energía antes de la limpieza o de la realización de cualquier mantenimiento. La herramienta se puede limpiar más eficazmente con aire comprimido seco. Use gafas de seguridad siempre que limpie herramientas con aire comprimido.

Las aberturas de ventilación y las palancas de interruptor deben mantenerse limpias y libres de materias extrañas. No intente limpiar introduciendo objetos puntiagudos a través de las aberturas.

⚠ PRECAUCIÓN Ciertos agentes de limpieza y disolventes dañan las piezas de plástico. Algunos de estos son: gasolina, tetracloruro de carbono, disolventes de limpieza clorados, amoníaco y detergentes domésticos que contienen amoníaco.

Accesorios

⚠ ADVERTENCIA Si es necesario un cordón de extensión, se debe usar un cordón con conductores de tamaño adecuado que sea capaz de transportar la corriente necesaria para la herramienta. Esto evitará caídas de tensión excesivas, pérdida de potencia o recalentamiento. Las herramientas conectadas a tierra deben usar cordones de extensión de 3 hilos que tengan enchufes de 3 terminales y receptáculos para 3 terminales.

NOTA: Cuanto más pequeño es el número de calibre, más grueso es el cordón.

TAMAÑOS RECOMENDADOS DE CORDONES DE EXTENSION HERRAMIENTAS DE 120 V CORRIENTE ALTERNA

Capacidad nominal en amperes de la herramienta	Tamaño del cordón en A.W.G.				Tamaños del cable en mm ²			
	Longitud del cordón en pies				Longitud del cordón en metros			
	25	50	100	150	15	30	60	120
3-6	18	16	16	14	0,75	0,75	1,5	2,5
6-8	18	16	14	12	0,75	1,0	2,5	4,0
8-10	18	16	14	12	0,75	1,0	2,5	4,0
10-12	16	16	14	12	1,0	2,5	4,0	—
12-16	14	12	—	—	—	—	—	—

* Sobrepata antiindentaciones

* Accesorio de inserción antiastillas

* 3 hojas surtidas

** Juego de extracción de polvo; incluye tubo adaptador para manguera de aspiración, manguera de aspiración y cubierta antipolvo

** Guía de corte circular y paralelo

* Estuche de transporte (Modelos 1590EVSK y 1591EVSK solamente)

(* = equipo estándar)

(** = accesorios opcionales)

Notes:
Remarques :
Notas:

LIMITED WARRANTY OF BOSCH PORTABLE AND BENCHTOP POWER TOOLS

Robert Bosch Tool Corporation ("Seller") warrants to the original purchaser only, that all BOSCH portable and benchtop power tools will be free from defects in material or workmanship for a period of one year from date of purchase. SELLER'S SOLE OBLIGATION AND YOUR EXCLUSIVE REMEDY under this Limited Warranty and, to the extent permitted by law, any warranty or condition implied by law, shall be the repair or replacement of parts, without charge, which are defective in material or workmanship and which have not been misused, carelessly handled, or misrepaired by persons other than Seller or Authorized Service Station. To make a claim under this Limited Warranty, you must return the complete portable or benchtop power tool product, transportation prepaid, to any BOSCH Factory Service Center or Authorized Service Station. For Authorized BOSCH Power Tool Service Stations, please refer to your phone directory.

THIS LIMITED WARRANTY DOES NOT APPLY TO ACCESSORY ITEMS SUCH AS CIRCULAR SAW BLADES, DRILL BITS, ROUTER BITS, JIGSAW BLADES, SANDING BELTS, GRINDING WHEELS AND OTHER RELATED ITEMS.

ANY IMPLIED WARRANTIES SHALL BE LIMITED IN DURATION TO ONE YEAR FROM DATE OF PURCHASE. SOME STATES IN THE U.S., SOME CANADIAN PROVINCES DO NOT ALLOW LIMITATIONS ON HOW LONG AN IMPLIED WARRANTY LASTS, SO THE ABOVE LIMITATION MAY NOT APPLY TO YOU.

IN NO EVENT SHALL SELLER BE LIABLE FOR ANY INCIDENTAL OR CONSEQUENTIAL DAMAGES (INCLUDING BUT NOT LIMITED TO LIABILITY FOR LOSS OF PROFITS) ARISING FROM THE SALE OR USE OF THIS PRODUCT. SOME STATES IN THE U.S. AND SOME CANADIAN PROVINCES DO NOT ALLOW THE EXCLUSION OR LIMITATION OF INCIDENTAL OR CONSEQUENTIAL DAMAGES, SO THE ABOVE LIMITATION OR EXCLUSION MAY NOT APPLY TO YOU.

THIS LIMITED WARRANTY GIVES YOU SPECIFIC LEGAL RIGHTS, AND YOU MAY ALSO HAVE OTHER RIGHTS WHICH VARY FROM STATE TO STATE IN THE U.S., PROVINCE TO PROVINCE IN CANADA AND FROM COUNTRY TO COUNTRY.

THIS LIMITED WARRANTY APPLIES ONLY TO PORTABLE AND BENCHTOP ELECTRIC TOOLS SOLD WITHIN THE UNITED STATES OF AMERICA, CANADA AND THE COMMONWEALTH OF PUERTO RICO. FOR WARRANTY COVERAGE WITHIN OTHER COUNTRIES, CONTACT YOUR LOCAL BOSCH DEALER OR IMPORTER.

GARANTIE LIMITÉE DES OUTILS ÉLECTRIQUES PORTATIFS ET D'ÉTABLI BOSCH

Robert Bosch Tool Corporation (le « vendeur ») garantit à l'acheteur initial seulement que tous les outils électriques portatifs et d'établi BOSCH seront exempts de vices de matériaux ou d'exécution pendant une période d'un an depuis la date d'achat. LA SEULE OBLIGATION DU VENDEUR ET LE SEUL RECOURS DE L'ACHETEUR sous la présente garantie limitée, et en autant que la loi le permette sous toute garantie ou condition implicite qui en découlerait, sera l'obligation de remplacer ou réparer gratuitement les pièces défectueuses matériellement ou comme fabrication, pourvu que lesdites déficiences ne soient pas attribuables à un usage abusif ou à quelque réparation bricolée par quelqu'un d'autre que le vendeur ou le personnel d'une station-service agréée. Pour présenter une réclamation en vertu de cette garantie limitée, vous devez renvoyer l'outil électrique portatif ou d'établi complet, port payé, à tout centre de service agréé ou centre de service usine. Veuillez consulter votre annuaire téléphonique pour les adresses.

LA PRÉSENTE GARANTIE NE S'APPLIQUE PAS AUX ACCESSOIRES TELS QUE LAMES DE SCIES CIRCULAIRES, MÊCHES DE PERCEUSES, FERS DE TROUPES, LAMES DE SCIES SAUTEUSES, COURROIES DE PONÇAGE, MEULES ET AUTRES ARTICLES DU GENRE.

TOUTE GARANTIE IMPLICITE SERA LIMITÉE COMME DURÉE À UN AN À COMPTER DE LA DATE D'ACHAT. CERTAINS ÉTATS AMÉRICAINS, CERTAINES PROVINCES CANADIENNES N'ADMETTANT PAS LE PRINCIPE DE LA LIMITATION DE LA DURÉE DES GARANTIES IMPLICITES, IL EST POSSIBLE QUE LES LIMITATIONS CI-DESSUS NE S'APPLIQUENT PAS À VOTRE CAS.

EN AUCUN CAS LE VENDEUR NE SAURAIT ÊTRE TENU POUR RESPONSABLE DES INCIDENTS OU DOMMAGES INDIRECTS (INCLUANT, MAIS NE SE LIMITANT PAS AUX PERTES DE PROFITS) CONSÉQUENTS À LA VENTE OU L'USAGE DE CE PRODUIT. CERTAINS ÉTATS AMÉRICAINS ET CERTAINES PROVINCES CANADIENNES N'ADMETTANT PAS LE PRINCIPE DE LA LIMITATION NI L'EXCLUSION DES DOMMAGES INDIRECTS ET CONSÉQUENTS, IL EST POSSIBLE QUE LES LIMITATIONS OU EXCLUSIONS CI-DESSUS NE S'APPLIQUENT PAS À VOTRE CAS.

LA PRÉSENTE GARANTIE VOUS ACCORDE DES DROITS BIEN DÉTERMINÉS, Y COMPRIS POSSIBLEMENT CERTAINS DROITS VARIABLES DANS LES DIFFÉRENTS ÉTATS AMÉRICAINS, PROVINCES CANADIENNES.

CETTE GARANTIE LIMITÉE NE S'APPLIQUE QU'ÀUX OUTILS ÉLECTRIQUES PORTATIFS ET D'ÉTABLI VENDUS AUX ÉTATS-UNIS D'AMÉRIQUE, AU CANADA ET AU COMMONWEALTH DE PORTO RICO. POUR COUVERTURE DE GARANTIE DANS LES AUTRES PAYS, CONTACTEZ VOTRE IMPORTATEUR OU REVENDEUR BOSCH LOCAL.

GARANTIA LIMITADA PARA HERRAMIENTAS MECANICAS PORTATILES Y PARA TABLERO DE BANCO BOSCH

Robert Bosch Tool Corporation ("el Vendedor") garantiza, únicamente al comprador original, que todas las herramientas mecánicas portátiles y para tablero de banco BOSCH estarán libres de defectos de material o de fabricación durante un periodo de un año a partir de la fecha de compra. LA ÚNICA OBLIGACION DEL VENDEDOR Y EL RECURSO EXCLUSIVO QUE USTED TIENE bajo esta Garantía Limitada y, hasta donde la ley lo permita, bajo cualquier garantía o condición implícita por ley, consistirá en la reparación o sustitución sin costo de las piezas que presenten defectos de material o de fabricación y que no hayan sido utilizadas incorrectamente, manejadas descuidadamente o reparadas incorrectamente por personas que no sean el Vendedor o una Estación de servicio autorizada. Para efectuar una reclamación bajo esta Garantía Limitada, usted debe devolver el producto, que consiste en la herramienta mecánica portátil o para tablero de banco completa, con el transporte pagado, a cualquier Centro de servicio de fábrica o Estación de servicio autorizada. Para Estaciones de servicio autorizadas de herramientas mecánicas BOSCH, por favor, consulte el directorio telefónico.

ESTA GARANTIA LIMITADA NO SE APLICA A ARTICULOS ACCESORIOS TALES COMO HOJAS PARA SIERRAS CIRCULARES, BROCAS PARA TALADROS, BROCAS PARA FRESADORAS, HOJAS PARA SIERRAS DE VAIVEN, CORREAS PARA LIJAR, RUEDAS DE AMOLAR Y OTROS ARTICULOS RELACIONADOS.

TODAS LAS GARANTIAS IMPLICITAS TENDRAN UNA DURACION LIMITADA A UN AÑO A PARTIR DE LA FECHA DE COMPRA. ALGUNOS ESTADOS DE LOS EE.UU., ALGUNAS PROVINCIAS CANADIENSES NO PERMITEN LIMITACIONES EN CUANTO A LA DURACION DE UNA GARANTIA IMPLICITA, POR LO QUE ES POSIBLE QUE LA LIMITACION ANTERIOR NO SEA APLICABLE EN EL CASO DE USTED.

EL VENDEDOR NO SERA RESPONSABLE EN NINGUN CASO DE NINGUN DAÑO INCIDENTAL O EMERGENTE (INCLUYENDO PERO NO LIMITADO A RESPONSABILIDAD POR PERDIDA DE BENEFICIOS) QUE SE PRODUZCA COMO CONSECUENCIA DE LA VENTA O UTILIZACION DE ESTE PRODUCTO. ALGUNOS ESTADOS DE LOS EE.UU. Y ALGUNAS PROVINCIAS CANADIENSES NO PERMITEN LA EXCLUSION O LIMITACION DE LOS DAÑOS INCIDENTALES O EMERGENTES, POR LO QUE ES POSIBLE QUE LA LIMITACION O EXCLUSION ANTERIOR NO SEA APLICABLE EN EL CASO DE USTED.

ESTA GARANTIA LIMITADA LE CONFIERE A USTED DERECHOS LEGALES ESPECIFICOS Y ES POSIBLE QUE USTED TAMBIEN TENGA OTROS DERECHOS QUE VARIAN DE ESTADO A ESTADO EN LOS EE.UU., DE PROVINCIA A PROVINCIA EN CANADA.

ESTA GARANTIA LIMITADA SE APLICA SOLAMENTE A HERRAMIENTAS ELECTRICAS PORTATILES Y PARA TABLERO DE BANCO VENDIDAS EN LOS ESTADOS UNIDOS DE AMERICA, CANADA Y EL ESTADO LIBRE ASOCIADO DE PUERTO RICO. PARA COBERTURA DE GARANTIA EN OTROS PAISES, PONGASE EN CONTACTO CON SU DISTRIBUIDOR O IMPORTADOR LOCAL DE BOSCH.

© Robert Bosch Tool Corporation 1800 W. Central Road Mt. Prospect, IL 60056 -2230

Exportado por: Robert Bosch Tool Corporation Mt. Prospect, IL 60056 -2230, E.U.A.

Importado en México por: Robert Bosch, S.A. de C.V., Calle Robert Bosch No. 405, Zona Industrial,
Toluca, Edo. de México, C.P. 50070, Tel. (722) 2792300

2 609 932 283 1/04

Printed in Switzerland

Free Manuals Download Website

<http://myh66.com>

<http://usermanuals.us>

<http://www.somanuals.com>

<http://www.4manuals.cc>

<http://www.manual-lib.com>

<http://www.404manual.com>

<http://www.luxmanual.com>

<http://aubethermostatmanual.com>

Golf course search by state

<http://golfingnear.com>

Email search by domain

<http://emailbydomain.com>

Auto manuals search

<http://auto.somanuals.com>

TV manuals search

<http://tv.somanuals.com>