

IMPORTANT:
Read Before Using

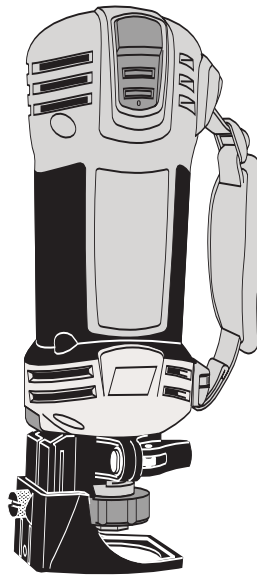
IMPORTANT :
Lire avant usage

IMPORTANTE:
Leer antes de usar



Operating/Safety Instructions
Consignes de fonctionnement/sécurité
Instrucciones de funcionamiento y seguridad

RZ1
RZ25



Call Toll Free
for Consumer Information
& Service Locations

Pour renseignement des
consommateurs et centres
de service, appelez au
numéro gratuit :

Llame gratis para
obtener información
para el consumidor y
ubicaciones de servicio

1-877-ROTOZIP (1-877-768-6947) www.rototip.com

For English
See page 2

Parlez-vous français?
Voir page 16

¿Habla español?
Ver página 30

Power Tool Safety Rules

⚠ WARNING **Read and understand all instructions.** Failure to follow all instructions listed below, may result in electric shock, fire and/or serious personal injury.

SAVE THESE INSTRUCTIONS


Work Area

Keep your work area clean and well lit. Cluttered benches and dark areas invite accidents.

Do not operate power tools in explosive atmospheres, such as in the presence of flammable liquids, gases, or dust. Power tools create sparks which may ignite the dust or fumes.

Keep by-standers, children, and visitors away while operating a power tool. Distractions can cause you to lose control.

Electrical Safety

Double Insulated tools are equipped with a polarized plug (one blade is wider than the other.) This plug will fit in a polarized outlet only one way. If the plug does not fit fully in the outlet, reverse the plug. If it still does not fit, contact a qualified electrician to install a polarized outlet. Do not change the plug in any way. Double Insulation  eliminates the need for the three wire grounded power cord and grounded power supply system. *Before plugging in the tool, be certain the outlet voltage supplied is within the voltage marked on the nameplate. Do not use "AC only" rated tools with a DC power supply.*

Avoid body contact with grounded surfaces such as pipes, radiators, ranges and refrigerators. There is an increased risk of electric shock if your body is grounded. If operating the power tool in damp locations is unavoidable, a Ground Fault Circuit Interrupter must be used to supply the power to your tool. Electrician's rubber gloves and footwear will further enhance your personal safety.

Don't expose power tools to rain or wet conditions. Water entering a power tool will increase the risk of electric shock.

Do not abuse the cord. Never use the cord to carry the tools or pull the plug from an outlet. Keep cord away from heat, oil, sharp edges or moving parts. Replace damaged

cords immediately. Damaged cords increase the risk of electric shock.

When operating a power tool outside, use an outdoor extension cord marked "W-A" or "W." These cords are rated for outdoor use and reduce the risk of electric shock. Refer to "Recommended sizes of Extension Cords" in the Accessory section of this manual.

Personal Safety

Stay alert, watch what you are doing and use common sense when operating a power tool. Do not use tool while tired or under the influence of drugs, alcohol, or medication. A moment of inattention while operating power tools may result in serious personal injury.

Dress properly. Do not wear loose clothing or jewelry. Contain long hair. Keep your hair, clothing, and gloves away from moving parts. Loose clothes, jewelry, or long hair can be caught in moving parts. Keep handles dry, clean and free from oil and grease.

Avoid accidental starting. Be sure switch is "OFF" before plugging in. Carrying tools with your finger on the switch or plugging in tools that have the switch "ON" invites accidents.

Remove adjusting keys or wrenches before turning the tool "ON". A wrench or a key that is left attached to a rotating part of the tool may result in personal injury.

Do not overreach. Keep proper footing and balance at all times. Proper footing and balance enables better control of the tool in unexpected situations.

Use safety equipment. Always wear eye protection. Dust mask, non-skid safety shoes, hard hat, or hearing protection must be used for appropriate conditions.

Tool Use and Care

Use clamps or other practical way to secure and support the workpiece to a stable platform. Holding the work by hand or

against your body is unstable and may lead to loss of control.

Do not force tool. Use the correct tool for your application. The correct tool will do the job better and safer at the rate for which it is designed.

Do not use tool if switch does not turn it "ON" or "OFF". Any tool that cannot be controlled with the switch is dangerous and must be repaired.

Disconnect the plug from the power source before making any adjustments, changing accessories, or storing the tool. Such preventive safety measures reduce the risk of starting the tool accidentally.

Store idle tools out of reach of children and other untrained persons. Tools are dangerous in the hands of untrained users.

Maintain tools with care. Keep cutting tools sharp and clean. Properly maintained tools, with sharp cutting edges are less likely to bind and are easier to control. Any alteration or modification is a misuse and may result in a dangerous condition.

Check for misalignment or binding of moving parts, breakage of parts, and any

other condition that may affect the tools operation. If damaged, have the tool serviced before using. Many accidents are caused by poorly maintained tools. Develop a periodic maintenance schedule for your tool.

Use only accessories that are recommended by the manufacturer for your model. Accessories that may be suitable for one tool, may become hazardous when used on another tool.

Service

Tool service must be performed only by qualified repair personnel. Service or maintenance performed by unqualified personnel could result in a risk of injury. For example: internal wires may be misplaced or pinched, safety guard return springs may be improperly mounted.

When servicing a tool, use only identical replacement parts. Follow instructions in the Maintenance section of this manual. Use of unauthorized parts or failure to follow Maintenance Instructions may create a risk of electric shock or injury. Certain cleaning agents such as gasoline, carbon tetrachloride, ammonia, etc. may damage plastic parts.

Rotary Cutter Safety Rules

Hold tool by insulated gripping surfaces when performing an operation where the cutting tool may contact hidden wiring or its own cord. Contact with a "live" wire will make exposed metal parts of the tool "live" and shock the operator. *If cutting into existing walls or other blind areas where electrical wiring may exist is unavoidable, disconnect all fuses or circuit breakers feeding this worksite.*

Always make sure the work surface is free from nails and other foreign objects. Cutting into a nail can cause the bit and the tool to jump and damage the bit.

Never hold the workpiece in one hand and the tool in the other hand when in use. Never place hands near or below cutting surface. Clamping the material and guiding the tool with both hands is safer.

Never lay workpiece on top of hard surfaces, like concrete, stone, etc... Protruding cutting bit may cause tool to jump.

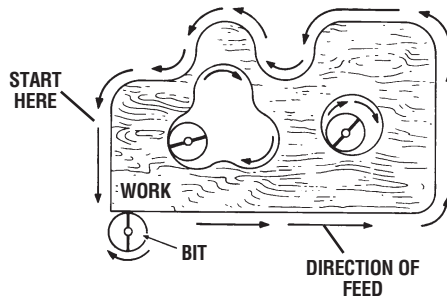
Always wear safety goggles and dust mask. Use only in well ventilated area. Using personal safety devices and working in safe environment reduces risk of injury.

After changing the bits or making any adjustments, make sure the collet nut and any other adjustment devices are securely tightened. Loose adjustment device can unexpectedly shift, causing loss of control, loose rotating components will be violently thrown.

Never start the tool when the bit is engaged in the material. The bit cutting edge may grab the material causing loss of control of the cutter.

Always hold the tool with two hands during start-up. The reaction torque of the motor can cause the tool to twist.

When routing or cutting, the direction of feed with the bit's cutting edge into the material is very important. Always feed the bit into the material in the same direction as the cutting edge is exiting from the material. When viewing the tool from the top, the bit rotates clockwise. If the tool is between the workpiece and you body, then feed the tool to your right. If the workpiece is between the tool and your body, then feed the tool to your left. Feeding the tool in the wrong direction causes the cutting edge of the bit to climb out of the work and pull the tool in the direction of this feed.



Never use dull or damaged bits. Sharp bits must be handled with care. Dull bits can snap during use. Dull bits require more force to push the tool, possibly causing the bit to break.

Never touch the bit during or immediately after the use. After use the bit is too hot to be touched by bare hands.

Never lay the tool down until the motor has come to a complete standstill. The

spinning bit can grab the surface and pull the tool out of your control.

Never use bits that have a cutting diameter greater than the opening in the base.

Do not use the tool for drilling purposes. This tool is not intended to be used with drill bits.

Always use the tool with the depth guide securely attached and positioned flat against material being cut. The guide securely positioned on the material improves the stability and control of your tool.

Do not use the Zipmate attachment without the hard auxiliary control handle. The soft band handle does not provide a sufficient control for grinding operation.




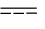
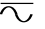




⚠ WARNING Some dust created by power sanding, sawing, grinding, drilling, and other construction activities contains chemicals known to cause cancer, birth defects or other reproductive harm. Some examples of these chemicals are:

- Lead from lead-based paints,
- Crystalline silica from bricks and cement and other masonry products, and
- Arsenic and chromium from chemically-treated lumber.

Your risk from these exposures varies, depending on how often you do this type of work. To reduce your exposure to these chemicals: work in a well ventilated area, and work with approved safety equipment, such as those dust masks that are specially designed to filter out microscopic particles.

Symbols

IMPORTANT: Some of the following symbols may be used on your tool. Please study them and learn their meaning. Proper interpretation of these symbols will allow you to operate the tool better and safer.

Symbol	Name	Designation/Explanation
V	Volts	Voltage (potential)
A	Amperes	Current
Hz	Hertz	Frequency (cycles per second)
W	Watt	Power
kg	Kilograms	Weight
min	Minutes	Time
s	Seconds	Time
∅	Diameter	Size of drill bits, grinding wheels, etc.
n_0	No load speed	Rotational speed, at no load
.../min	Revolutions or reciprocation per minute	Revolutions, strokes, surface speed, orbits etc. per minute
0	Off position	Zero speed, zero torque...
1, 2, 3, ... I, II, III,	Selector settings	Speed, torque or position settings. Higher number means greater speed
	Infinitely variable selector with off	Speed is increasing from 0 setting
	Arrow	Action in the direction of arrow
	Alternating current	Type or a characteristic of current
	Direct current	Type or a characteristic of current
	Alternating or direct current	Type or a characteristic of current
	Class II construction	Designates Double Insulated Construction tools.
	Earthing terminal	Grounding terminal
	Warning symbol	Alerts user to warning messages
	Ni-Cad RBRC seal	Designates Ni-Cad battery recycling program



This symbol designates that this tool is listed by Underwriters Laboratories.



This symbol designates that this tool is listed to Canadian Standards by Underwriters Laboratories.



This symbol designates that this tool complies to NOM Mexican Standards.



This symbol designates that this tool is listed by the Canadian Standards Association.



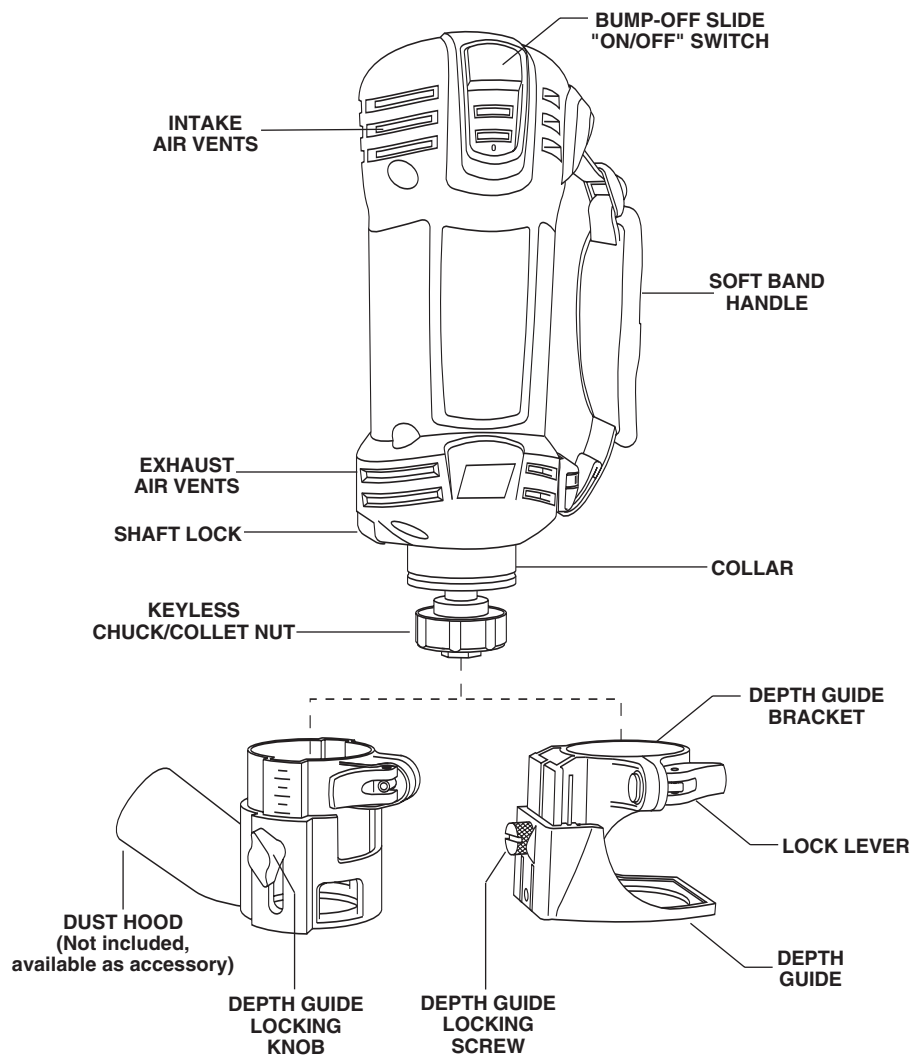
This symbol designates that this tool is listed by Underwriters Laboratories, and listed to Canadian Standards by Underwriters Laboratories.

Functional Description and Specifications

WARNING Disconnect the plug from the power source before making any assembly, adjustments or changing accessories. Such preventive safety measures reduce the risk of starting the tool accidentally.

Spiral Saw™

FIG. 1



NOTE: For tool specifications refer to nameplate on your tool.

Assembly

⚠ WARNING Disconnect the plug from the power source before making any assembly, adjustments or changing accessories. Such preventive safety measures reduce the risk of starting the tool accidentally. Make certain that the collet nut is securely tightened before turning the tool on.

REMOVING AND INSTALLING THE DEPTH GUIDE ASSEMBLY

The depth guide assembly consists of the depth guide, locking screw and bracket.

In order to remove the depth guide from the tool, release the locking lever and pull the entire assembly straight off of the tool. To reattach the assembly, fully replace the guide

onto the tool collar and lock the clamp lever (Fig. 1).

REMOVING AND INSTALLING THE DUST HOOD ASSEMBLY

(Not included, available as accessory)

The dust hood is sized to accept 35mm vacuum hoses.

The dust hood assembly consists of the dust hood, locking knob and bracket.

In order to remove the dust hood assembly from the tool, release the locking lever and pull the entire assembly straight off of the tool. To reattach the assembly, fully replace the guide onto the tool collar and lock the clamp lever (Fig. 1).

INSTALLING BITS (Keyless models)

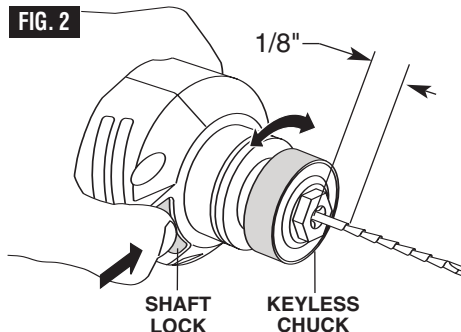
The bits are held by a keyless collet system designed specifically for spiral saw bits with 1/8" (.125"), 1/4" (.250") or 5/32" (.156") shanks.

⚠ WARNING The bit flutes are sharp and should be handled with caution.

Depress and hold the shaft-lock in and rotate the keyless chuck and shaft until the shaft-lock engages and holds the shaft.

⚠ CAUTION To prevent damage to tool. Never use the shaft lock as a braking device to stop the tool from rotating.

Rotate the keyless chuck (counter-clockwise) (Fig. 5). Remove the old bit (if there is one) insert the new bit as far in as possible, but not so far that the bit flutes engage the jaws of the chuck (leave approximately 1/8" of shank exposed) Re-engage the shaft-lock and securely tighten the keyless chuck (clockwise) by hand.



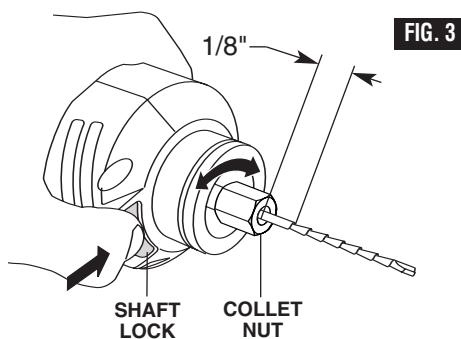
Note: When using 1/4" & 5/32" bits it may be necessary to use a wrench on the front of the keyless chuck to securely tighten the bit.

INSTALLING BITS (Standard models)

The bits are held by a collet system. Use either the 1/8" (.125"), 1/4" (.250") or 5/32" (.156") collet depending on the size of the bit shank.

Depress and hold the shaft-lock in and rotate the collet nut and shaft until the shaft-lock engages and holds the shaft.

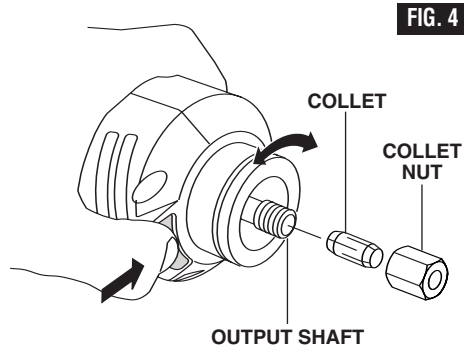
Use the standard equipment wrench to loosen nut (counter-clockwise) (Fig. 6).



Remove the old bit (if there is one) insert the new bit as far in as possible, but not so far that the bit flutes engage the collet (leave approximately 1/8" of shank exposed) Re-engage the shaft-lock and tighten the nut (clockwise) by hand and then with the wrench until bit is held securely.

CHANGING THE COLLET

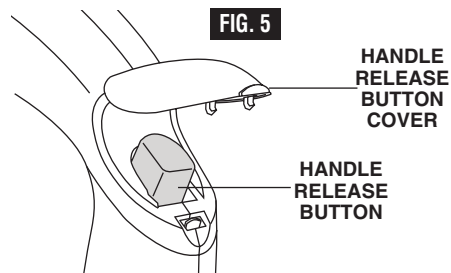
The 1/8" collet is used with 1/8" diameter bits, the 1/4" collet is used with 1/4" diameter bits and the 5/32" collet is used with 5/32" diameter bits. To change collets, first remove the bit. Continue to loosen and unscrew the collet nut until you can remove it from the tool. Remove the collet and replace it with the other (Fig. 4). (Each collet is double-ended, and either end is acceptable to use.) By hand, re-tighten the collet nut around the collet in a clockwise direction. You are now ready to insert a new bit as instructed in Installing Bits (Fig. 2 or 3).



REMOVING AND INSTALLING THE HARD AUXILIARY CONTROL HANDLE

Turn the tool OFF and unplug it. Firmly grasp the tool. Lift open handle release button cover, depress release button and remove handle (Fig. 5).

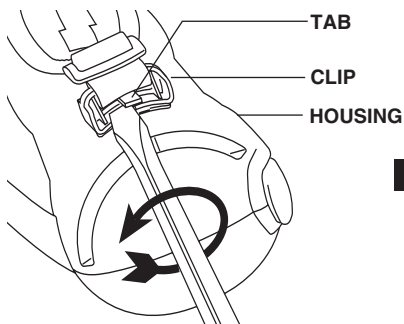
Gently engage the two (2) front latches on handle into the tool and push handle until it snaps securely into place.



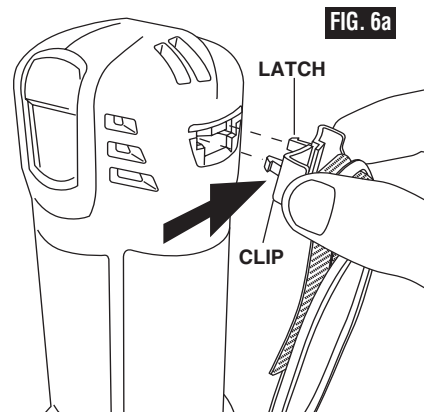
REMOVING AND INSTALLING THE SOFT BAND HANDLE (Old Style)

⚠ WARNING Always use auxiliary handle for maximum control over torque reaction or kick-back. Using the tool without the handle could cause loss of control.

To remove, insert a flat tip screwdriver between tab and clip as shown, rotate screwdriver counter-clockwise lifting tab until clip releases from housing (Fig. 6).



To attach, first insert one side of latch into tool housing, then firmly push the other latch into housing while applying pressure in direction of arrow until clip locks securely into housing (Fig. 6a).



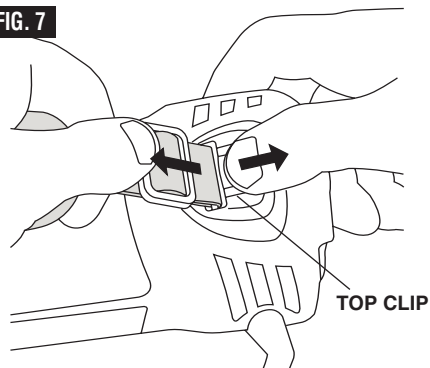
Repeat this procedure on opposite end of strap.

REMOVING AND INSTALLING THE SOFT HANDLE (New Style)

- 1 Depress and hold top clip release (Fig. 7).
- 2 Pull strap away from tool (Fig. 7).

While top clip hook release is depressed, pull handle strap straight away from tool (Fig. 7).

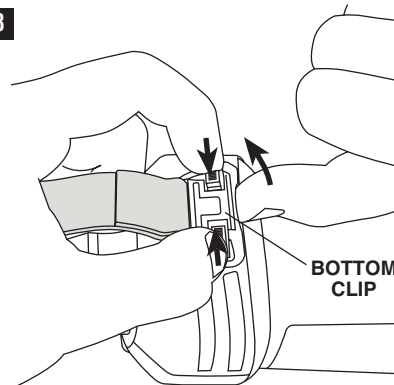
FIG. 7



- 3 Squeeze from each side and hold both bottom clip releases (Fig. 8).
- 4 Lift the back of the clip up and away from tool (Fig. 8).

While depressing both bottom clip release tabs, lift the back of the clip away from the tool (Fig. 8).

FIG. 8



ATTACHING CIRCLE CUTTING GUIDE (Not included, available as accessory)

Your tool is equipped with a circle cutting guide that can easily be attached directly to the depth guide, or the optional dust hood accessory.

1. To attach, position adapter plate and circle guide as shown and snap into depth guide or dust hood as shown (Fig. 9).
2. To remove, simply lift tab on depth guide and remove circle guide and adapter plate.

This attachment allows you to cut perfect circles from 3.5 to 12" in diameter using your Bosch power tool.

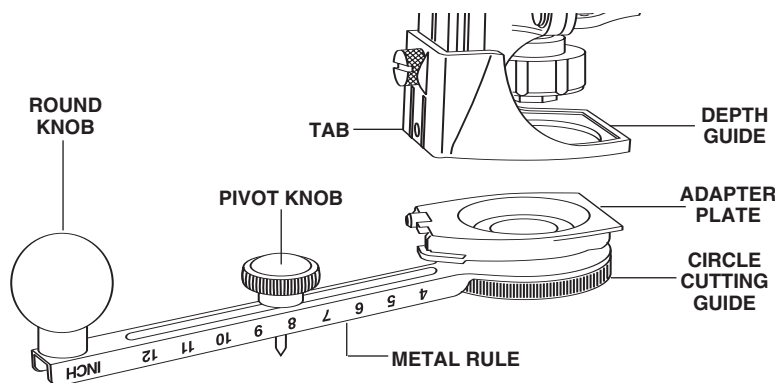
Loosen pivot knob and slide to desired diameter of hole to be cut. Line up knob with diameter size of circle you wish to cut.

For English (IN), use the scale on the side of the metal rule. For metric (CM) use the scale the opposite side of the metal rule.

Start cutting in a clockwise direction using consistent moderate pressure. If you need to reposition your hands, back tool off work slightly, in a counter clockwise direction. Restart cutting in a clockwise direction.

Continue cutting your circle until you have cut the complete shape, and turn off tool.

FIG. 9



Operating Instructions

BUMP-OFF SLIDE "ON/OFF" SWITCH

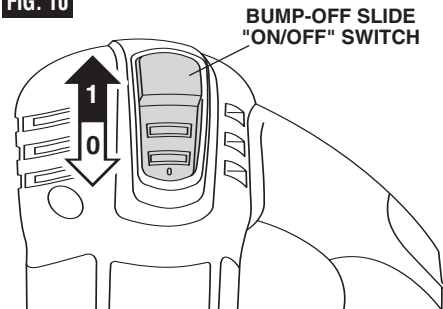
This tool is switched "ON" by the slide switch located on the front of the motor housing (Fig. 10).

TO TURN THE TOOL "ON" slide the switch button up.

TO TURN THE TOOL "OFF" slide the switch button down or "0" position.

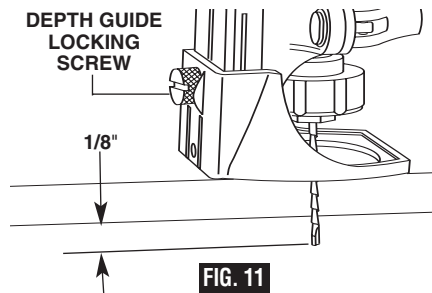
⚠ WARNING Hold the tool with both hands while starting, since torque from the motor can cause the tool to twist.

FIG. 10



DEPTH GUIDE ADJUSTMENT

Use the depth guide to adjust the depth of cut. Using the end of the standard wrench, loosen (counter clockwise) the screw enough to enable the depth guide to slide up or down to the desired depth of cut (about 1/8" greater than material thickness) and retighten the locking screw (clockwise) (Fig. 11).



MAKE A FEW PRACTICE CUTS

After installing the Zip Bit into the tool and adjusting your depth guide, you should make a few practice cuts with the tool before attempting an actual job.

A few exercises will give you the necessary practice to make clean, professional cuts.

Step 1

Make certain that the collet nut is securely tightened before turning the tool on.

Step 2

Hold the tool firmly and turn the tool ON to your desired speed.

IMPORTANT USER TIP

Step 3

While holding the tool firmly, insert the Zip Bit into the material at a 45° angle (Fig. 12).

Step 4

Slowly bring it to a 90° angle to begin the cut (Fig. 13). The base guide should be flush to the material surface. For all materials (EXCEPT cutting around outlet boxes in drywall), steer the tool in a clockwise direction with slow, steady pressure to make the cut.

Step 5

After completing your cut, turn off the tool and carefully remove it from the material.

Do not attempt to use this tool to make cut-outs around any fixture or opening which has live electrical wires, or any wall which may have live electrical wiring behind it, as the Zip Bit could conduct current to the tool, creating an electrocution hazard for the operator. Shut off breakers or remove fuses to disconnect the circuit. Always hold the tool

by its thermoplastic housing, and always wear eye protection when operating a Spiral Saw power tool.

NOTE: Because of the rotating cutting action of the Zip Bit, there will be a slight pull when cutting. The slower you cut, the more control you have. Excessive pressure or fast cutting will cause excessive heat and may shorten the life of the Zip Bit.

NOTE: When cutting on a vertical surface, avoid ending your cut at the bottom of the hole. If possible, start and end your cut at the top so the scrap part will not drop onto the rotating Zip Bit. Turn the tool off and remove it from the material.

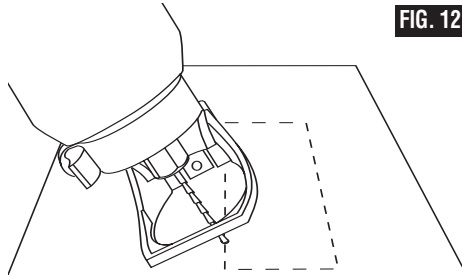


FIG. 12

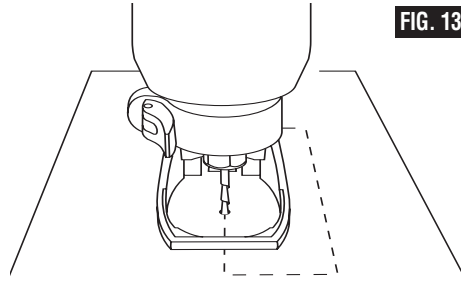


FIG. 13

ILLUSTRATED INSTRUCTIONS FOR PERFECT OUTLET OPENINGS IN DRYWALL

The following procedure will illustrate cutting out a standard 2 1/8" X 3 3/4" electrical box.

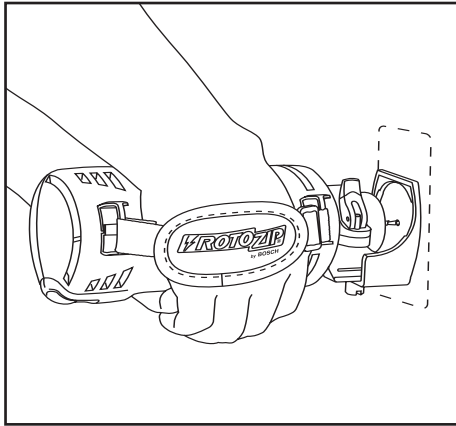
MAKING DRYWALL CUT OUTS

After assembling the bit into the tool as described earlier, it will be necessary to review the instructions provided below and make some practice cut-outs with this tool before attempting an actual job. The best method is to take some scrap pieces and nail or screw them in place over wall studs which have an electrical box or other feature in place. A few such exercises will give you the necessary practice to make clean, professional cutouts around whatever is behind the drywall you are installing.

⚠ WARNING Do not attempt to use this tool to make cut-outs around any fixture or opening which has live electrical wires, or on any wall which may have live electrical wiring behind it, as the bit could conduct current to the

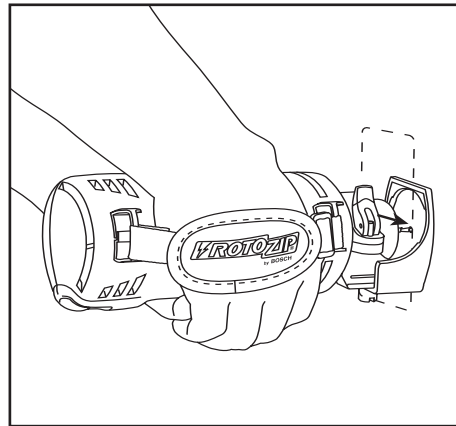
tool, creating an electrocution hazard for the operator. Shut off breakers or remove fuses to disconnect the circuit. Always hold the tool by its thermoplastic housing, and always wear eye protection when operating this device.

Step 1: Be certain that the box or fixture which requires a cut-out is firmly mounted and all wires or other obstructions around the opening are pushed back out of the way. The drywall cut-out bit uses the outer edge of the box or fixture as a guide, so it is important that there is nothing in the way which can prevent it from guiding completely around the opening. For the purposes of this instruction manual, the procedure discussed will be to make a cut-out around a standard 2 1/8" x 3 3/4" electrical box.



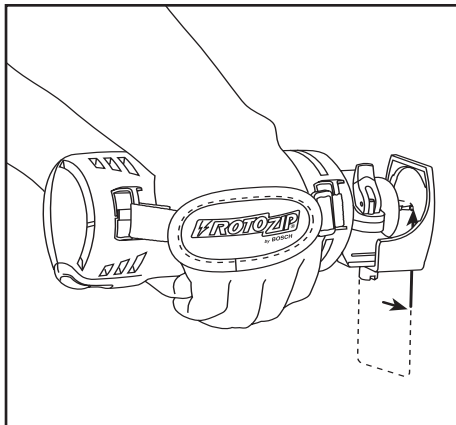
Step 2

Slide switch to turn the tool on. While holding the Spiral Saw power tool firmly with both hands plunge the Zip Bit through the mark you made. Then guide the Zip Bit to the right until you feel and hear the Zip Bit touch the inside edge of the box.



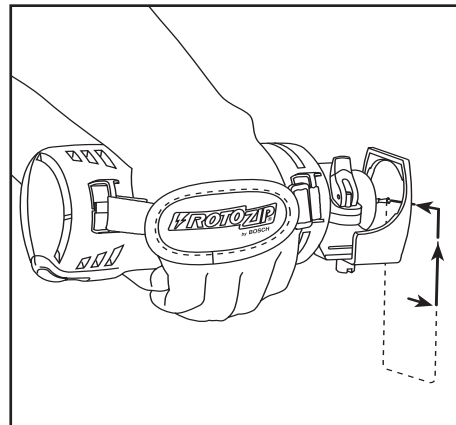
Step 3

Pull the Zip Bit out far enough to slip it over the edge of the box so it is now against the outside of the box.



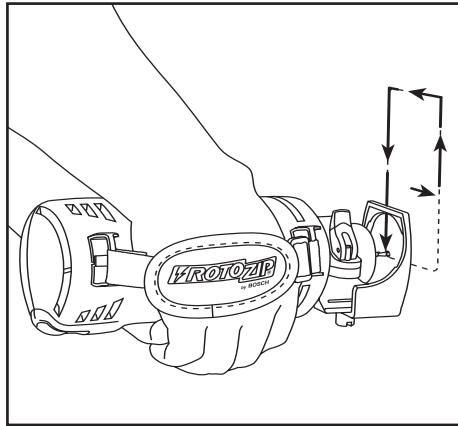
Step 4

While keeping the Zip Bit in contact with the outside of the box move the tool counter clockwise while applying light inward and upward pressure until you feel and hear it come to the corner. As you round the corner apply light pressure left and downward.

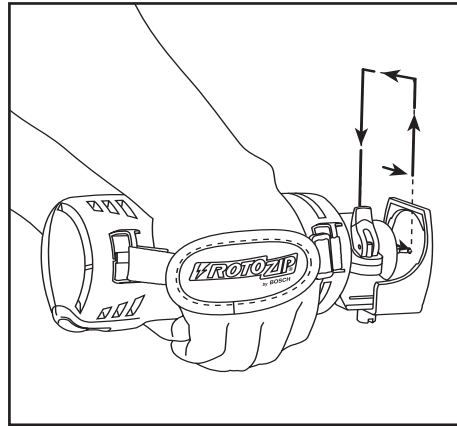


Step 5

While moving slowly and continuously along the top contour you will feel the Zip Bit come to the next corner. Round the corner and apply light down and inward pressure until the bottom corner is reached.



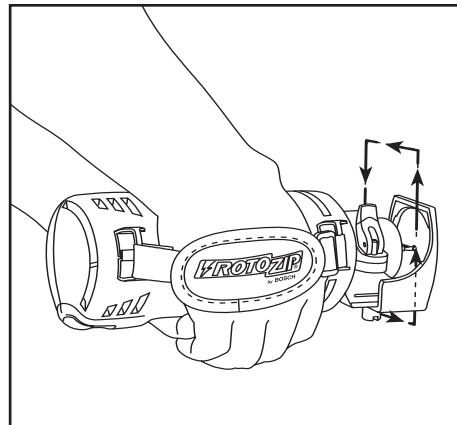
Step 6
Move the Zip Bit right and upward maintaining light continuous pressure toward the box.



Step 7
Round the right bottom corner and begin moving the bit upward while applying light pressure left toward the box until you meet initial upward cut. Push Spiral Saw power tool switch to off.

Step 8
The completed box, executed quickly, neatly and in a fraction of the time taken by other methods.

These step-by-step instructions are generalized to acquaint you with the Spiral Saw power tool operation. After some practice, you may develop a motion technique with which you are more comfortable. However, you must always begin the cut somewhat centrally, and MOVE THE SPIRAL SAW POWER TOOL ONLY COUNTERCLOCKWISE to take advantage of the "hugging" action of the rotating Zip Bit along the contours of the template. Remember to use a smooth continuous motion.



Maintenance

Service

⚠ WARNING Preventive maintenance performed by unauthorized personnel may result in misplacing of internal wires and components which could cause serious hazard. We recommend that all tool service be performed by a Bosch Factory Service Center or Authorized Bosch Service Station.

TOOL LUBRICATION

Your Bosch tool has been properly lubricated and is ready to use. It is recommended that tools with gears be regreased with a special gear lubricant at every brush change.

CHUCK LUBRICATION

The wrenchless chuck has been properly lubricated and is ready to use. If the chuck's jaws begin to stick during use, the chuck requires lubrication. To lubricate the chuck, first remove debris from the inside of the chuck with compressed air. Apply a pea-sized amount of general-purpose grease to the sides of the jaws, and adjust the chuck through its full range of motion to distribute the grease.

CARBON BRUSHES

The brushes and commutator in your tool have been engineered for many hours of dependable service. To maintain peak efficiency of the motor, we recommend every two to six months the brushes be examined.

Only genuine Bosch replacement brushes specially designed for your tool should be used.

BEARINGS

After about 300-400 hours of operation, or at every second brush change, the bearings should be replaced at Bosch Factory Service Center or Authorized Bosch Service Station. Bearings which become noisy (due to heavy load or very abrasive material cutting) should be replaced at once to avoid overheating or motor failure.

Cleaning

⚠ WARNING To avoid accidents always disconnect the tool from the power supply before cleaning or performing any maintenance. The tool may be cleaned most effectively with compressed dry air. Always wear safety goggles when cleaning tools with compressed air.

Ventilation openings and switch levers must be kept clean and free of foreign matter. Do not attempt to clean by inserting pointed objects through openings.

⚠ CAUTION Certain cleaning agents and solvents damage plastic parts. Some of these are: gasoline, carbon tetrachloride, chlorinated cleaning solvents, ammonia and household detergents that contain ammonia.

Extension Cords

⚠ WARNING If an extension cord is necessary, a cord with adequate size conductors that is capable of carrying the current necessary for your tool must be used. This will prevent excessive voltage drop, loss of power or

overheating. Grounded tools must use 3-wire extension cords that have 3-prong plugs and receptacles.

NOTE: The smaller the gauge number, the heavier the cord.

RECOMMENDED SIZES OF EXTENSION CORDS
120 VOLT ALTERNATING CURRENT TOOLS

Tool's Ampere Rating	Cord Size in A.W.G.				Wire Sizes in mm ²			
	Cord Length in Feet				Cord Length in Meters			
	25	50	100	150	15	30	60	120
3-6	18	16	16	14	0.75	0.75	1.5	2.5
6-8	18	16	14	12	0.75	1.0	2.5	4.0
8-10	18	16	14	12	0.75	1.0	2.5	4.0
10-12	16	16	14	12	1.0	2.5	4.0	—
12-16	14	12	—	—	—	—	—	—

RECOMMENDED SIZES OF EXTENSION CORDS
120 VOLT ALTERNATING CURRENT TOOLS
(Model RZ25 only)

Tool's Ampere Rating	Cord Size in A.W.G.		Wire Sizes in mm ²	
	Cord Length in Feet		Cord Length in Meters	
	50	100	30	60
3-6	16	14	1.5	2.5
6-8	14	12	2.5	4.0
8-10	14	12	2.5	4.0
10-12	14	12	4.0	—
12-16	—	—	—	—

Accessories

⚠ WARNING Use only Robert Bosch Tool Corporation's recommended accessories with this tool. Accessories that may be suitable for one tool, may become hazardous when used on another tool.

Attachments that are compatible with Rotozip Spiral Saws are the following:
(Items may be sold separately)

Abrasive Cut Off Attachment
Dust Hood
Circle Cutting Guides
Straight Edge Guide

Plunge Router
Jigsaw Handle
Flex Shaft

Zip® Bits

Robert Bosch Tool Corporation's patented line of versatile Zip Bits and accessories provide you with the flexibility to quickly move from one material to another and one job to another, without the hassle of changing tools.



ZIP BIT CHART	SC5	TC1	DC1	FBR1	GP10	ZB10	WD1
Acoustic Tile	●						
Acrylic	●						
Aluminum Siding	●						
Cement Board		●	●				
Ceramic Wall Tile		●					
Drywall					●	●	●
Fiberglass	●						
Fiberock				●			
Foam Board	●						●
Hardwood	●						
Laminates	●						
Lath	●						
Marble		●					
O.S.B.	●						
Plaster		●	●				
Plastics	●						
Plywood	●						
Solid Surface Material	●						
Stucco		●	●				
Underlayment	●						
Vinyl Siding	●						
Wood	●						
Wood Composites	●						

Règles de Sécurité Générales

AVERTISSEMENT

Vous devez lire et comprendre toutes les instructions. Le non-respect, même partiel, des instructions ci-après entraîne un risque de choc électrique, d'incendie et/ou de blessures graves.

CONSERVEZ CES INSTRUCTIONS


Aire de travail

Veillez à ce que l'aire de travail soit propre et bien éclairée. Le désordre et le manque de lumière favorisent les accidents.

N'utilisez pas d'outils électriques dans une atmosphère explosive, par exemple en présence de liquides, de gaz ou de poussières inflammables. Les outils électriques créent des étincelles qui pourraient enflammer les poussières ou les vapeurs.

Tenez à distance les curieux, les enfants et les visiteurs pendant que vous travaillez avec un outil électrique. Ils pourraient vous distraire et vous faire faire une fausse manœuvre.

Sécurité électrique

Les outils à double isolation sont équipés d'une fiche polarisée (une des lames est plus large que l'autre), qui ne peut se brancher que d'une seule façon dans une prise polarisée. Si la fiche n'entre pas parfaitement dans la prise, inversez sa position ; si elle n'entre toujours pas bien, demandez à un électricien qualifié d'installer une prise de courant polarisée. Ne modifiez pas la fiche de l'outil. La double isolation  élimine le besoin d'un cordon d'alimentation à trois fils avec mise à la terre ainsi que d'une prise de courant mise à la terre. Avant de brancher l'outil, assurez-vous que la tension de la prise correspond, à plus ou moins 10 %, à celle indiquée sur la plaque signalétique. N'utilisez pas d'outils prévus pour courant alternatif seulement avec une source de courant continu.

Évitez tout contact corporel avec des surfaces mises à la terre (tuyauterie, radiateurs, cuisinières, réfrigérateurs, etc.). Le risque de choc électrique est plus grand si votre corps est en contact avec la terre. Si l'utilisation de l'outil électrique dans un endroit humide est inévitable, un disjoncteur de fuite à la terre doit être utilisé pour alimenter votre outil. Des chaussures et des gants en caoutchouc d'électricien contribueront à accroître davantage votre sécurité personnelle.

N'exposez pas les outils électriques à la pluie ou à l'eau. La présence d'eau dans un outil électrique augmente le risque de choc électrique.

Ne maltraitez pas le cordon. Ne transportez pas l'outil par son cordon et ne débranchez pas la fiche en tirant sur le cordon. N'exposez pas le cordon à la chaleur, à des huiles, à des arêtes vives ou à des pièces en

mouvement. Remplacez immédiatement un cordon endommagé. Un cordon endommagé augmente le risque de choc électrique.

Lorsque vous utilisez un outil électrique à l'extérieur, employez un prolongateur pour l'extérieur marqué « W-A » ou « W ». Ces cordons sont faits pour être utilisés à l'extérieur et réduisent le risque de choc électrique. Reportez-vous aux « Dimensions recommandées des cordons de rallonge » dans la section Accessoires de ce manuel.

Sécurité des personnes

Restez alerte, concentrez-vous sur votre travail et faites preuve de jugement. N'utilisez pas un outil électrique si vous êtes fatigué ou sous l'influence de drogues, d'alcool ou de médicaments. Un instant d'inattention suffit pour entraîner des blessures graves.

Habillez-vous convenablement. Ne portez ni vêtements flottants ni bijoux. Confinez les cheveux longs. N'approchez jamais les cheveux, les vêtements ou les gants des pièces en mouvement. Des vêtements flottants, des bijoux ou des cheveux longs risquent d'être happés par des pièces en mouvement. Gardez les poignées sèches, propres et exemptes d'huile et de graisse.

Méfiez-vous d'un démarrage accidentel. Avant de brancher l'outil, assurez-vous que son interrupteur est sur ARRÊT. Le fait de transporter un outil avec le doigt sur la détente ou de brancher un outil dont l'interrupteur est en position MARCHE peut mener tout droit à un accident.

Enlevez les clés de réglage ou de serrage avant de démarrer l'outil. Une clé laissée dans une pièce tournante de l'outil peut provoquer des blessures.

Ne vous penchez pas trop en avant. Maintenez un bon appui et restez en équilibre tout le temps. Une bonne stabilité vous permet de mieux réagir à une situation inattendue.

Utilisez des accessoires de sécurité. Portez toujours des lunettes ou une visière. Selon les conditions, portez aussi un masque antipoussière, des bottes de sécurité antidérapantes, un casque protecteur et/ou un appareil antibruit.

Utilisation et entretien des outils

Immobilisez le matériau sur une surface stable au moyen de brides ou de toute autre façon adéquate. Le

fait de tenir la pièce avec la main ou contre votre corps offre une stabilité insuffisante et peut amener un dérapage de l'outil.

Ne forcez pas l'outil. Utilisez l'outil approprié à la tâche. L'outil correct fonctionne mieux et de façon plus sécuritaire. Respectez aussi la vitesse de travail qui lui est propre.

N'utilisez pas un outil si son interrupteur est bloqué. Un outil que vous ne pouvez pas commander par son interrupteur est dangereux et doit être réparé.

Débranchez la fiche de l'outil avant d'effectuer un réglage, de changer d'accessoire ou de ranger l'outil. De telles mesures préventives de sécurité réduisent le risque de démarrage accidentel de l'outil.

Rangez les outils hors de la portée des enfants et d'autres personnes inexpérimentées. Les outils sont dangereux dans les mains d'utilisateurs novices.

Prenez soin de bien entretenir les outils. Les outils de coupe doivent être toujours bien affûtés et propres. Des outils bien entretenus, dont les arêtes sont bien tranchantes, sont moins susceptibles de coincer et plus faciles à diriger. Toute altération ou modification constitue un usage erroné et peut causer un danger.

Soyez attentif à tout désalignement ou coincement des pièces en mouvement, à tout bris ou à toute autre

condition préjudiciable au bon fonctionnement de l'outil. Si vous constatez qu'un outil est endommagé, faites-le réparer avant de vous en servir. De nombreux accidents sont causés par des outils en mauvais état. Élaborez un calendrier d'entretien périodique de votre outil.

N'utilisez que des accessoires que le fabricant recommande pour votre modèle d'outil. Certains accessoires peuvent convenir à un outil, mais être dangereux avec un autre.

Réparation

La réparation des outils électriques doit être confiée à un réparateur qualifié. L'entretien ou la réparation d'un outil électrique par un amateur peut avoir des conséquences graves. Ainsi, des fils internes peuvent être mal placés ou pincés, des ressorts de rappel de protecteur peuvent être montés erronément.

Pour la réparation d'un outil, n'employez que des pièces de rechange d'origine. Suivez les directives données à la section « Réparation » de ce manuel. L'emploi de pièces non autorisées ou le non-respect des instructions d'entretien peut créer un risque de choc électrique ou de blessures. Certains agents nettoyants tels qu'essence, tétrachlorure de carbone, ammoniac, etc., peuvent abîmer les pièces en plastique.

Consignes de sécurité pour couteaux rotatifs

Tenez l'outil par les surfaces isolées de prise en exécutant une opération lorsque l'outil de coupe peut venir en contact avec des fils cachés ou son propre cordon. Le contact avec un fil sous tension rendra les parties métalliques exposées de l'outil sous tension et causera des secousses électriques à l'opérateur. *Pour couper dans des murs existants ou autres endroits aveugles pouvant dissimuler des fils électriques, débranchez tous les fusibles ou les disjoncteurs alimentant ce lieu de travail.*

Assurez-vous toujours que la surface de travail est exempte de clous et autres objets étrangers. La coupe dans un clou peut faire sauter l'embout et l'outil, et ainsi abîmer l'embout.

Ne tenez jamais le matériau d'une main et l'outil de l'autre lorsque vous en faites usage. Ne placez jamais les mains sous la surface de coupe ou à proximité de celle-ci. Il est plus sûr de cramponner le matériau et de guider l'outil des deux mains.

Ne posez jamais le matériau sur des surfaces dures telles que le béton, la pierre, etc. L'embout de coupe en saillie peut faire sauter l'outil.

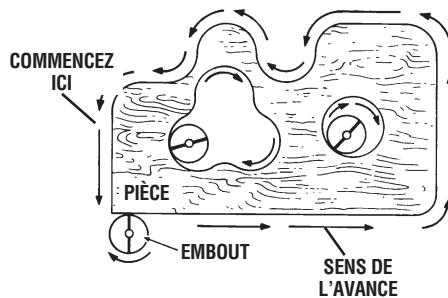
Portez toujours des lunettes de sécurité et un masque anti-poussières. N'utilisez l'outil qu'à un endroit bien aéré. L'utilisation de dispositifs de sécurité personnelle et le travail dans un environnement sûr réduisent les risques de blessures.

Après avoir changé les embouts ou effectué quelque réglage que ce soit, assurez-vous que l'écrou de la douille et tout autre dispositif de réglage sont bien serrés. Un dispositif de réglage lâche peut bouger soudainement et causer ainsi une perte de contrôle avec projection violente des composants en rotation.

Ne mettez jamais l'outil en marche alors que l'embout est enfoncée dans le matériau. Le tranchant de l'embout peut se coincer dans le matériau et vous faire perdre le contrôle du couteau.

Tenez toujours le couteau des deux mains durant la mise en marche. Le couple de réaction du moteur peut faire tordre l'outil.

Lors du toupillage ou du découpage, le sens de déplacement du tranchant de l'embout qui pénètre dans le matériau est important. Il faut toujours pousser l'embout dans le matériau dans le même sens que celui du bord tranchant qui quitte le matériau. Avec l'outil vu du dessus, l'embout tourne en sens horaire. Si l'outil se trouve entre vous et la pièce, poussez-le vers la droite. Si par contre la pièce se trouve entre vous et l'outil, poussez alors ce dernier vers la gauche. Si vous poussez l'outil dans le mauvais sens, le bord tranchant de l'embout risque de grimper hors de la pièce et de tirer l'outil dans la direction de l'avance.



N'utilisez jamais d'embouts émoussés ou abîmés. Les embouts affilés doivent être maniés soigneusement. Les embouts abîmés peuvent se rompre brusquement durant l'usage. Les embouts émoussés nécessitent plus de force pour pousser l'outil, causant éventuellement un bris de l'embout.

Ne touchez jamais l'embout durant ou immédiatement après l'usage. Après usage, l'embout est trop chaud pour être touché à main nue.

Ne posez jamais l'outil avant que le moteur ne se soit arrêté complètement. L'embout en rotation peut saisir la surface et vous faire perdre le contrôle de l'outil.

N'utilisez jamais des embouts dont le diamètre de coupe est supérieur à celui de l'ouverture pratiquée dans la base.

N'utilisez pas l'outil pour percer. Cet outil n'est pas destiné à être utilisé avec des mèches de perceuse.

Utilisez toujours l'outil avec le guide de profondeur fixé solidement et placé à plat contre le matériau à couper. Le guide positionné solidement sur le matériau améliore la stabilité et le contrôle de votre outil.

Il ne faut jamais utiliser l'accessoire Zipmate sans la poignée de maintien auxiliaire dure. La poignée à bande souple ne permet pas de maîtriser suffisamment l'outil pendant le meulage.

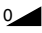

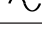
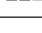





⚠ AVERTISSEMENT Les travaux à la machine tel que ponçage, sciage, meulage, perçage et autres travaux du bâtiment peuvent créer des poussières contenant des produits chimiques qui sont des causes reconnues de cancer, de malformation congénitale ou d'autres problèmes reproductifs. Ces produits chimiques sont, par exemple :

- Le plomb provenant des peintures à base de plomb,
- Les cristaux de silices provenant des briques et du ciment et d'autres produits de maçonnerie, et
- L'arsenic et le chrome provenant des bois traités chimiquement.

Le niveau de risque dû à cette exposition varie avec la fréquence de ces types de travaux. Pour réduire l'exposition à ces produits chimiques, il faut travailler dans un lieu bien ventilé et porter un équipement de sécurité approprié tel que certains masques à poussière conçus spécialement pour filtrer les particules microscopiques.

Symboles

IMPORTANT : Certains des symboles suivants peuvent être utilisés sur votre outil. Veuillez les étudier et apprendre leur signification. Une interprétation appropriée de ces symboles vous permettra d'utiliser l'outil de façon plus efficace et plus sûre.

Symbole	Nom	Désignation/Explication
V	Volts	Tension (potentielle)
A	Ampères	Courant
Hz	Hertz	Fréquence (cycles par seconde)
W	Watt	Puissance
kg	Kilogrammes	Poids
min	Minutes	Temps
s	Secondes	Temps
∅	Diamètre	Taille des mèches de perceuse, meules, etc.
n_0	Vitesse à vide	Vitesse de rotation, à vide
.../min	Tours ou mouvement alternatif par minute	Tours, coups, vitesse en surface, orbites, etc., par minute
0	Position d'arrêt	Vitesse zéro, couple zéro ...
1, 2, 3, ... I, II, III, ...	Réglages du sélecteur	Réglages de vitesse, de couple ou de position. Un nombre plus élevé signifie une vitesse plus grande.
	Sélecteur variable à l'infini avec arrêt	La vitesse augmente depuis le réglage 0
	Flèche	Action dans la direction de la flèche
	Courant alternatif	Type ou caractéristique du courant
	Courant continu	Type ou caractéristique du courant
	Courant alternatif ou continu	Type ou caractéristique du courant
	Construction classe II isolation	Désigne des outils construits avec double
	Borne de terre	Borne de mise à la terre
	Symbole d'avertissement	Alerte l'utilisateur aux messages d'avertissement.
	Sceau Ni-Cad RBRC™	Désigne le programme de recyclage des piles Ni-Cad.



Ce symbole signifie que cet outil est approuvé par Underwriters Laboratories.



Ce symbole signifie que cet outil est approuvé conformément aux normes canadiennes par Underwriters Laboratories.



Ce symbole signifie que cet outil se conforme aux normes mexicaines NOM.



Ce symbole signifie que cet outil est approuvé par l'Association canadienne de normalisation.



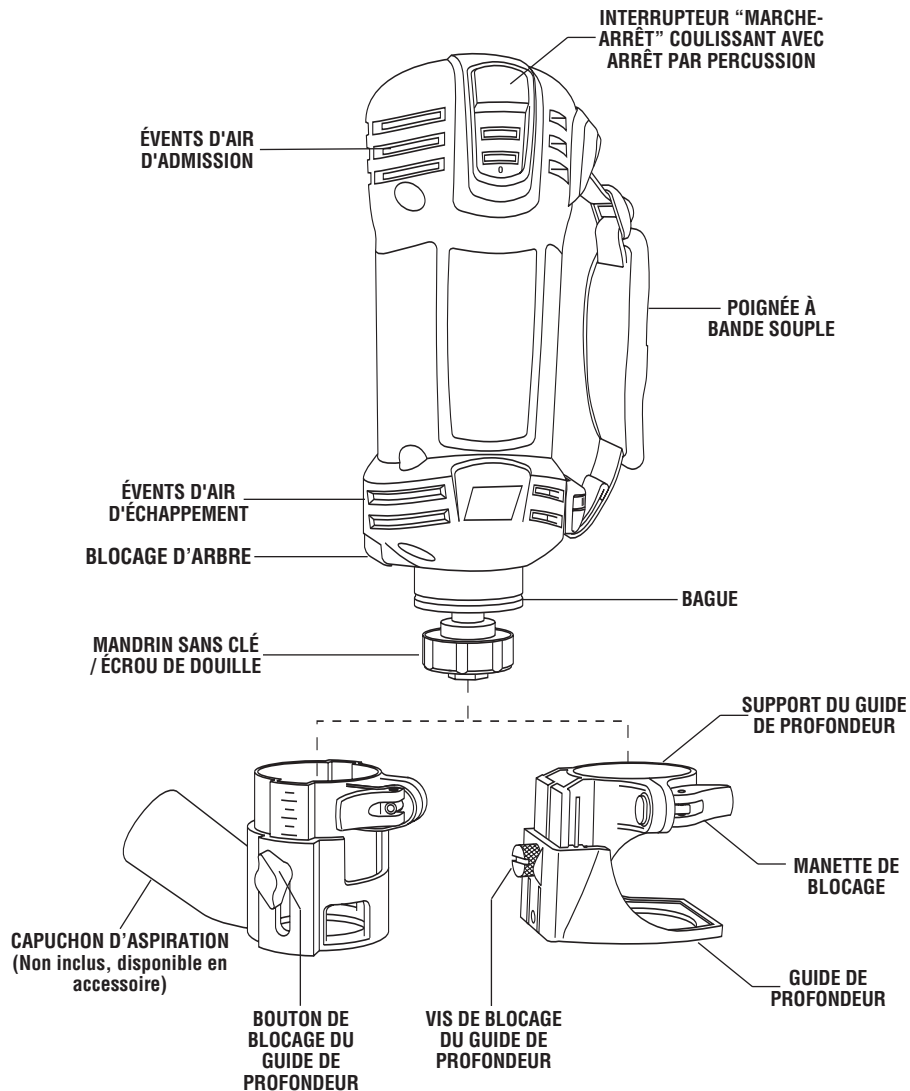
Ce symbole signifie que cet outil est approuvé par Underwriters Laboratories et qu'il a été homologué selon les normes canadiennes par Underwriters Laboratories.

Description fonctionnelle et spécifications

⚠ AVERTISSEMENT Débranchez la fiche de la prise de courant avant d'effectuer quelque assemblage ou réglage que ce soit ou de changer les accessoires. Ces mesures de sécurité préventive réduisent le risque d'une mise en marche accidentelle de l'outil.

Spiral Saw™

FIG. 1



REMARQUE : Pour spécifications de l'outil, reportez-vous à la plaque signalétique de votre outil.

Assemblage

⚠ AVERTISSEMENT Débranchez la fiche de la prise de courant avant d'effectuer quelque assemblage ou réglage que ce soit ou de changer les accessoires. Ces mesures de sécurité préventive réduisent le risque d'une mise en marche accidentelle de l'outil. Assurez-vous que l'écrou de douille est serré solidement avant de mettre l'outil en marche.

DÉMONTAGE ET REMONTAGE DE L'ENSEMBLE DU GUIDE DE PROFONDEUR

L'ensemble du guide de profondeur comprend le guide de profondeur, le vis de blocage et le support.

Pour démonter le guide de profondeur de l'outil, desserrez la manette de blocage et sortez l'ensemble au complet de l'outil en tirant tout droit. Pour le

remonter, replacez le guide bien à fond sur la bague de l'outil et bloquez la manette de serrage (Fig. 1).

DÉMONTAGE ET REMONTAGE DE L'ENSEMBLE DU CAPOT D'ASPIRATION

(Non inclus, disponible en accessoire)

Le capot d'aspiration est prévu pour s'adapter aux tuyaux d'aspiration de 35 mm.

L'ensemble du capot d'aspiration comprend le capot d'aspiration, le bouton de blocage et le support.

Pour démonter l'ensemble du capot d'aspiration de l'outil, desserrez la manette de blocage et sortez l'ensemble au complet de l'outil en tirant tout droit. Pour le remonter, replacez le guide bien à fond sur la bague de l'outil et bloquez la manette de serrage (Fig. 1)

MONTAGE DES EMBOUTS (Modèles sans clé)

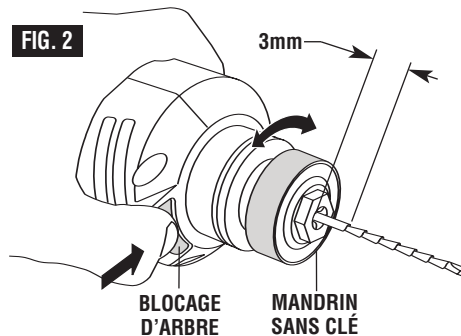
Les embouts sont tenus par un système de douille sans clé conçu spécifiquement pour les embouts de scie spirale avec queue de 1/8 po (0,125 po), 1/4 po (0,250 po) ou 5/32 po (0,156 po).

⚠ AVERTISSEMENT Les cannelures des embouts sont vives et doivent être maniées soigneusement.

Enfoncez et maintenez le blocage d'arbre puis tournez le mandrin sans clé et l'arbre jusqu'à ce que le blocage d'arbre s'enclenche et empêche l'arbre de tourner.

⚠ MISE EN GARDE Pour éviter que l'outil ne soit endommagé, ne l'empêchez jamais de pivoter en vous servant du blocage d'arbre comme d'un dispositif de freinage.

Tournez le mandrin sans clé (en sens anti-horaire) (Fig. 2). Enlevez l'embout existant (si un est présent) et enfoncez le nouvel embout aussi profond que possible mais pas au point que ses cannelures pénètrent dans les mors du mandrin. (Laissez la queue dépasser d'environ 1/8 po). Appuyez à nouveau sur le blocage d'arbre et serrez fermement le mandrin sans clé (en sens horaire) à la main.



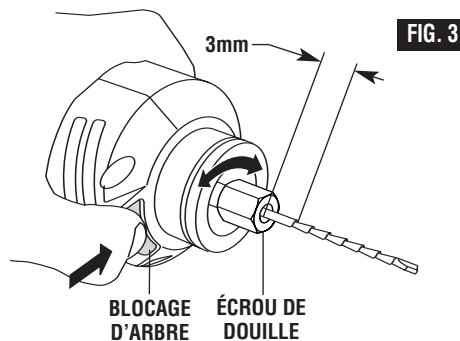
Remarque: Quand on utilise des embouts d'1/4 po et 5/32 po, il se peut qu'il soit nécessaire d'utiliser une clé sur la partie frontale du mandrin sans clé afin de pincer fermement l'embout.

MONTAGE DES EMBOUTS (Modèles standard)

Les embouts sont maintenus par un système de douille. Utilisez la douille de 1/8 po (0,125 po), 1/4 po (0,250 po) ou 5/32 po (0,156 po) suivant le diamètre de la queue de l'embout.

Appuyez sur le blocage de l'arbre et maintenez-le enfoncé, puis tournez l'écrou de douille jusqu'à ce que le blocage de l'arbre s'enclenche et bloque l'arbre.

Utilisez la clé livrée en standard pour desserrer l'écrou (en sens anti-horaire) (Fig. 3).



Enlevez l'embout existant (s'il y en a un) et enfoncez le nouvel embout aussi profondément que possible sans toutefois que ses cannelures ne pénètrent dans la douille (laissez la queue dépasser d'environ 1/8 po). Ré-enclenchez le blocage de l'arbre et serrez l'écrou (sens horaire) à la main puis avec la clé jusqu'à ce que l'embout soit fermement serré.

CHANGEMENT DU DOUILLE

Le douille de 1/8 po (0,125 po) s'utilise avec les embouts Zip de 1/8 po (0,125 po), le douille de 1/4 po (0,250 po) s'utilise avec les embouts Zip de 1/4 po (0,250 po) et le mors de 5/32 po (0,156 po) s'utilise avec les embouts Zip de 5/32 po (0,156 po). Pour changer le douille, commencer par retirer l'embout Zip. Continuer ensuite de dévisser l'écrou de douille jusqu'à ce qu'il se détache de l'appareil. Retirer le douille et le remplacer par l'autre (Fig. 4). (Les deux mors sont réversibles et s'utilisent indifféremment dans un sens comme dans l'autre.) Serrer à nouveau l'écrou sur le douille en le tournant à droite avec ses doigts. On peut maintenant y introduire un embout Zip de la manière indiquée à la montage des embouts (Fig. 2 ou 3).

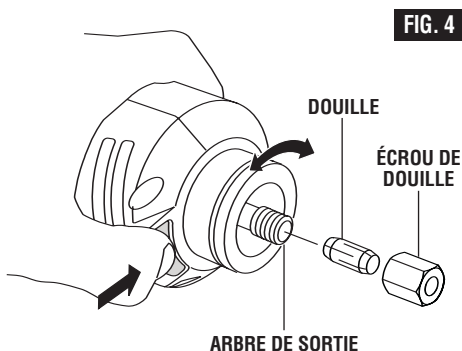


FIG. 4

DÉMONTAGE ET MONTAGE DE LA POIGNÉE DE COMMANDE AUXILIAIRE DURE

Arrêtez l'outil et débranchez-le. Saisissez l'outil fermement. Soulevez le couvercle du bouton de déclenchement de la poignée, appuyez sur le bouton de déclenchement et enlevez la poignée (Fig. 5).

Enclenchez doucement les deux loquets frontaux de la poignée dans l'outil et poussez sur la poignée jusqu'à ce qu'elle s'enclenche fermement à sa place.

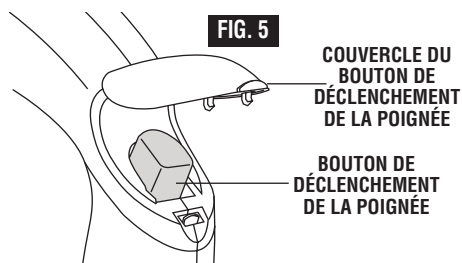


FIG. 5

DÉMONTAGE ET REMONTAGE DE LA POIGNÉE À BANDE SOUPLE (Ancien modèle)

AVERTISSEMENT Il faut toujours utiliser la poignée auxiliaire afin de mieux résister au couple de réaction et aux rebonds. Si vous utilisez l'outil sans la poignée, vous risquez d'en perdre le contrôle.

Pour démonter la poignée, enfoncez la lame d'un tournevis plat entre la languette et le clip comme indiqué, faites pivoter le tournevis en sens antihoraire pour soulever la languette jusqu'à ce que le clip soit libéré du boîtier (Fig. 6).

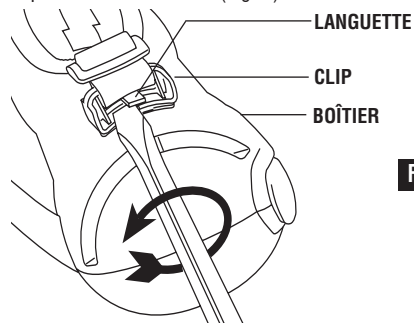


FIG. 6

Pour fixer la poignée, enfoncez un côté du loquet dans le boîtier de l'outil puis poussez fermement sur l'autre loquet pour l'enfoncer dans le boîtier tout en appuyant dans la direction de la flèche jusqu'à ce que le clip s'enclenche fermement dans le boîtier (Fig. 6a).

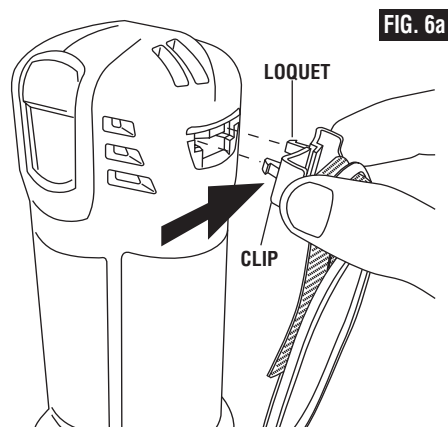
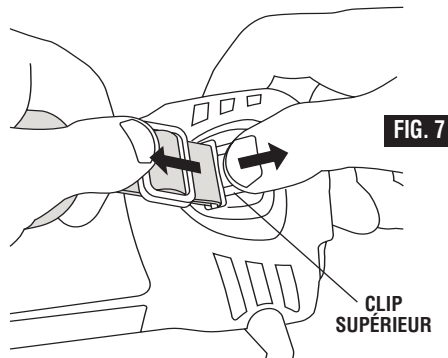


FIG. 6a

Répétez cette méthode du côté opposé de la sangle.

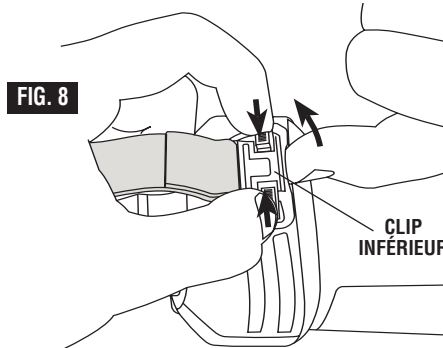
DÉMONTAGE ET REMONTAGE DE LA POIGNÉE SOUPLE (Nouveau modèle)

1. Enfoncez le déclenchement du clip supérieur et maintenez-le (Fig. 7).
 2. Tirez sur la bande pour l'éloigner de l'outil (Fig. 7).
- Pendant que le déclenchement du crochet du clip supérieur est enfoncé, éloignez la bande de la poignée de l'outil en tirant tout droit (Fig. 7.)



3. Appuyez des deux côtés et maintenez les deux déclenchements du clip inférieur enfoncés (Fig. 8).
4. Soulevez l'arrière du clip vers le haut pour l'éloigner de l'outil (Fig. 8).

Tout en appuyant sur les deux languettes de déclenchement du clip inférieur, éloignez l'arrière du clip en le soulevant de l'outil (Fig. 8).



MONTAGE DU COUPE-CERCLES

(Non compris, disponible en accessoire)

Votre outil est muni d'un coupe-cercles qui se fixe directement sur la butée de profondeur ou sur le capuchon d'aspiration (accessoire en option).

1. Pour le fixer, placez la plaque d'adaptation et le guide de cercle comme indiqué et enclenchez-le dans le guide de profondeur ou le capot d'aspiration comme indiqué (Fig. 9).
2. Pour l'enlever, il suffit de soulever la languette du guide de profondeur et d'enlever le guide de cercle et la plaque d'adaptation.

Cet accessoire vous permet de couper des cercles parfaits entre 3,5 po et 12 po de diamètre à l'aide de votre outil électroportatif Bosch.

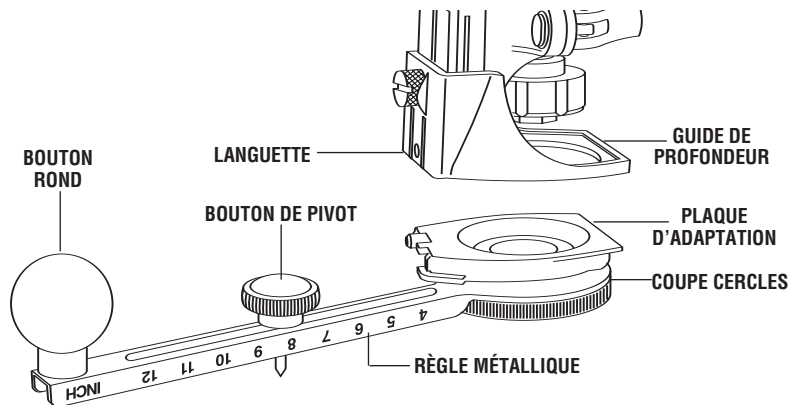
Desserrez le bouton de pivot et faites coulisser l'ensemble pour l'amener au diamètre désiré. Positionnez le bouton en face du diamètre que vous voulez obtenir.

Pour les mesures anglaises (PO), utilisez l'échelle se trouvant sur le côté de la règle métallique. Pour les mesures métriques (CM), utilisez l'échelle située sur le côté opposé de la règle métallique.

Commencez à couper dans le sens horaire en poussant modérément et régulièrement. S'il vous faut repositionner vos mains, reculez l'outil légèrement en le déplaçant en sens anti-horaire. Recommencez à couper dans le sens horaire.

Continuez de couper votre cercle jusqu'à ce qu'il soit complètement découpé et arrêtez votre outil.

FIG. 9



Consignes de fonctionnement

INTERRUPTEUR "MARCHE-ARRÊT" COULISSANT AVEC ARRÊT PAR PERCUSSION

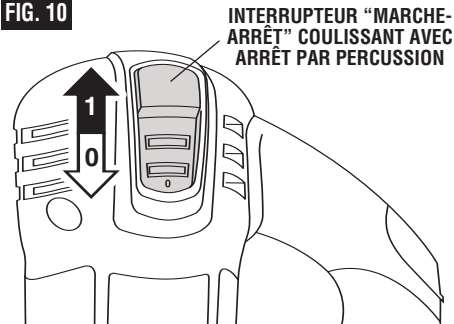
Cet outil se met en marche à l'aide de l'interrupteur à glissière situé à l'avant du carter du moteur (Fig. 10).

POUR METTRE L'OUTIL EN MARCHÉ, faites glisser le bouton de l'interrupteur vers le haut.

POUR METTRE L'OUTIL À L'ARRÊT, faites glisser le bouton de l'interrupteur vers le bas ou la position « 0 ».

AVERTISSEMENT Tenez l'outil des deux mains durant la mise en marche étant donné que le couple du moteur peut faire tordre l'outil.

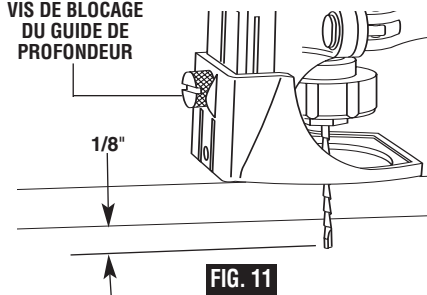
FIG. 10



AJUSTEMENT À L'AIDE DU GUIDE DE PROFONDEUR

Utilisez le guide de profondeur pour ajuster la profondeur de la coupe. En se servant de l'extrémité de la clé, desserrer (tourner à gauche) la vis juste assez pour permettre à la base de glisser jusqu'à la profondeur de coupe désirée. (environ 1/8" de plus que l'épaisseur du matériau) et resserrez le vis de blocage (en sens horaire) (Fig. 11).

VIS DE BLOCAGE
DU GUIDE DE
PROFONDEUR



EXÉCUTER DES COUPES D'ESSAI

Après avoir installé l'embout Zip dans l'appareil et ajusté le guide de profondeur, exécuter quelques coupes d'essai avant d'amorcer de vrais travaux.

Ces quelques exercices vous donneront l'expérience requise pour réaliser des coupes nettes d'aspect professionnel.

Étape 1

Avant d'allumer l'appareil, s'assurer que l'écrou de mors est serré solidement.

Étape 2

Tenir solidement l'appareil et le mettre EN MARCHÉ au régime désiré.

IMPORTANT CONSEIL POUR L'UTILISATEUR

Étape 3

Tenir solidement l'appareil et entamer la matériau avec l'embout Zip à un angle de 45° (Fig. 12).

Étape 4

Redresser doucement l'outil pour amorcer la coupe (Fig. 13). Le guide de coupe doit se trouver à ras avec la surface du matériau. Pour tous les matériaux (SAUF pour tailler dans de la plaque de plâtre autour d'une boîte de raccordement), diriger l'outil dans le sens des aiguilles d'une horloge en exerçant une pression lente et uniforme.

Étape 5

Après avoir exécuté la coupe, éteindre l'appareil et le dégager doucement du matériau.

Ne pas employer cet appareil pour réaliser des découpages autour d'appareils ou d'ouvertures comportant des fils électriques sous tension ou dans des parois derrière lesquelles de tels fils pourraient se trouver, car l'embout Zip assurerait la conduction du courant vers l'appareil et mettrait l'utilisateur à risque de subir un choc électrique. Couper le courant alimentant

ces fils à l'aide des fusibles ou des disjoncteurs. Toujours tenir l'appareil par son boîtier thermoplastique et toujours porter une protection des yeux pour employer une scie mécanique à spirale.

REMARQUE : En raison de la rotation de l'embout Zip, l'utilisateur ressentira une légère traction en taillant. Plus l'utilisateur exécute la coupe lentement, plus il pourra exercer de maîtrise. Une pression trop grande ou une

exécution trop rapide causera un excès de chaleur qui pourrait réduire la longévité de l'embout Zip.

REMARQUE : Lors de l'exécution de coupes dans une surface verticale, éviter de terminer l'opération au bas de l'ouverture. Dans la mesure du possible, débiter et terminer la coupe en haut afin d'éviter que la retaille ne chute sur l'embout Zip en rotation. Éteindre ensuite l'appareil et le dégager du matériau.

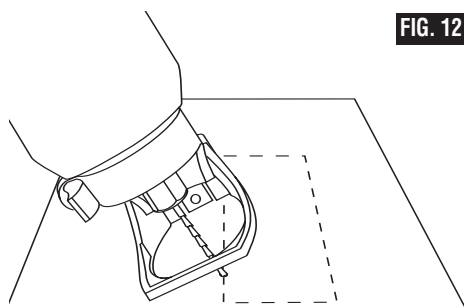


FIG. 12

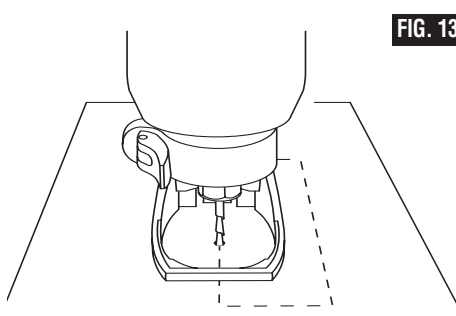


FIG. 13

INSTRUCTIONS ILLUSTRÉES POUR OUVERTURES PARFAITES DE PRISE DE COURANT DANS DES MURS SECS

La méthode ci-après illustre le découpage d'une boîte électrique standard de 54 mm" x 76 mm".

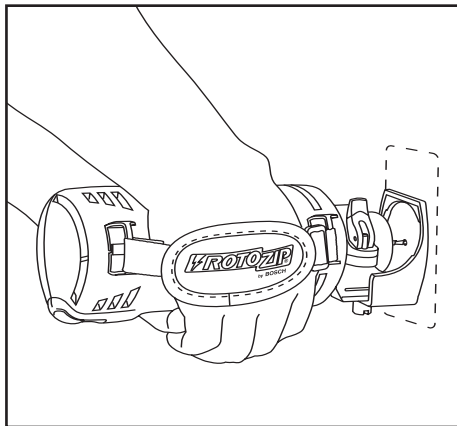
DÉCOUPAGES DANS LES MURS SECS

Après avoir assemblé la mèche dans l'outil comme décrit précédemment, vous devez vous reporter aux consignes données ci-après et pratiquer le découpage à l'aide de cet outil avant d'entamer une véritable tâche. La meilleure méthode consiste à prendre des rebuts et à les clouer ou les visser en place sur des montants muraux sur lesquels une boîte électrique ou un autre appareil est posé. Quelques exercices du genre vous donneront la pratique nécessaire pour effectuer des découpages professionnels et propres autour de quelque objet que ce soit situé derrière le mur sec que vous posez.

⚠ AVERTISSEMENT Ne tentez pas d'utiliser cet outil pour effectuer des découpages autour de tout appareil ou ouverture qui possède des fils électriques sous tension, ou sur tout mur derrière lequel se trouvent des fils électriques sous tension, car la mèche pourrait

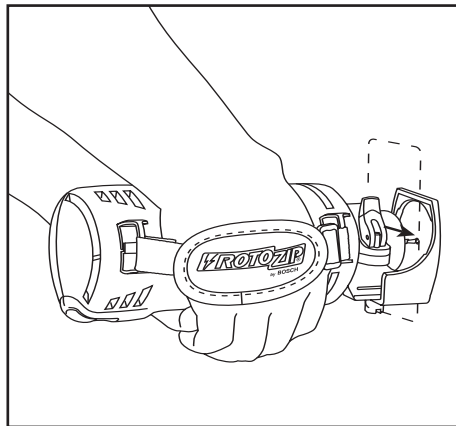
conduire le courant à l'outil, créant ainsi un danger d'électrocution pour l'opérateur. Mettez les disjoncteurs à l'arrêt ou retirez les fusibles pour sectionner le circuit. Tenez toujours l'outil par son boîtier thermoplastique, et portez toujours des lunettes de protection en utilisant ce dispositif.

Étape 1 : Assurez-vous que la boîte ou l'appareil nécessitant un découpage est monté fermement et que tous les fils ou autres obstructions autour de l'ouverture sont repoussés hors du chemin. La mèche de découpage de murs secs utilise le bord extérieur de la boîte ou de l'appareil comme guide ; il est donc important qu'il n'y ait rien dans le chemin pouvant l'empêcher de guider entièrement autour de l'ouverture. Aux fins de ce manuel d'instructions, la méthode traitée consistera à effectuer un découpage autour d'une boîte électrique standard de 2 1/8" ou de 3 3/4".



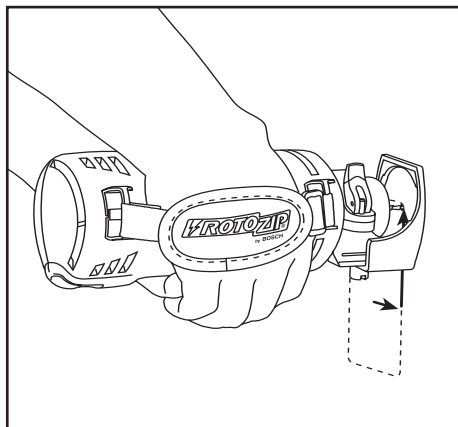
Étape 2

Faites glisser l'interrupteur pour mettre l'outil en marche. Tout en tenant la scie Spiral Saw mécanique fermement des deux mains, plongez l'embout Zip à travers la marque que vous avez pratiquée. Guidez ensuite l'embout Zip vers la droite jusqu'à ce que vous sentiez et entendiez l'embout Zip toucher le bord intérieur de la boîte.



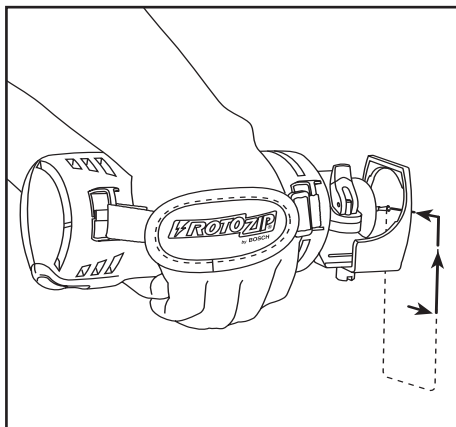
Étape 3

Tirez l'embout vers l'extérieur juste assez pour la faire glisser par-dessus le bord de la boîte de manière à ce que l'embout soit maintenant contre l'**extérieur** de la boîte. Il n'est pas nécessaire de tirer l'embout entièrement hors du mur sec. À ce stade, vous devez devenir un artiste, vous servant de la boîte comme gabarit pour tracer le contour de la boîte à prises.



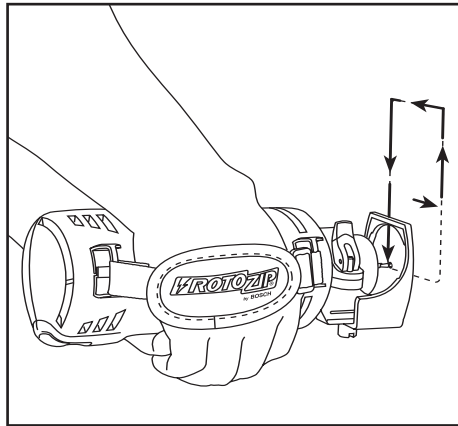
Étape 4

Tout en gardant l'embout Zip en contact avec l'extérieur de la boîte, déplacez l'outil en sens anti-horaire en exerçant une délicate pression vers l'intérieur et vers le haut jusqu'à ce que vous sentiez et entendiez la mèche atteindre le coin. En tournant le coin, exercez une légère pression vers la gauche et le bas.

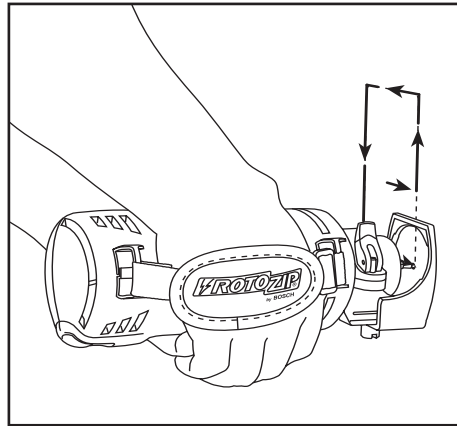


Étape 5

En vous déplaçant lentement et continuellement le long du contour supérieur, vous sentirez l'embout Zip atteindre le coin suivant. Tournez le coin et exercez une légère pression vers le bas et vers l'intérieur jusqu'à ce que le coin inférieur soit atteint.

**Étape 6**

Déplacez l'embout Zip vers la droite et vers le haut tout en exerçant une légère pression continue vers la boîte.

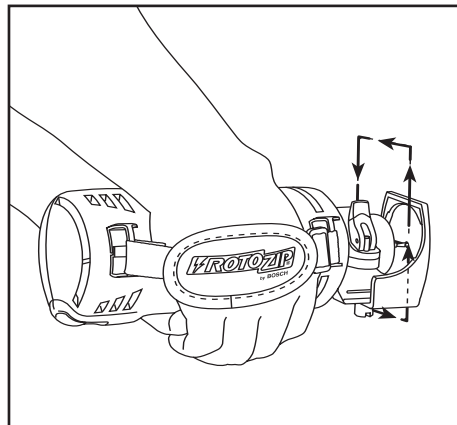
**Étape 7**

Tournez le coin inférieur droit et commencez à déplacer l'embout Zip vers le haut tout en exerçant une légère pression à gauche en direction de la boîte jusqu'à ce que vous rencontriez la coupe initiale vers le haut. Poussez l'interrupteur outil à la position d'arrêt.

Étape 8

La boîte terminée, exécutée rapidement, proprement et en une fraction du temps que prennent les autres méthodes.

Ces instructions par étapes sont généralisées de manière à vous permettre de vous familiariser avec le fonctionnement de la scie Spiral Saw mécanique. Après un peu de pratique, vous acquerez une technique de mouvement qui vous est plus confortable. Cependant, vous devez toujours commencer la coupe à un emplacement assez central et DÉPLACER LA SCIE SPIRAL SAW UNIQUEMENT EN SENS ANTI-HORAIRE pour tirer profit de l'action d' "étréinte" de l'embout en rotation le long des contours du gabarit. Un mouvement en sens horaire fera certainement rebondir l'embout à l'écart du gabarit et abîmera par conséquent le découpage. N'oubliez pas d'utiliser un mouvement continu régulier.



Entretien

Service

⚠ AVERTISSEMENT Tout entretien préventif effectué par des personnels non autorisés peut résulter en mauvais placement de fils internes ou de pièces, ce qui peut présenter un danger grave. Nous vous conseillons de faire faire tout l'entretien par un centre de service d'usine Bosch ou une station service agréée Bosch.

LUBRIFICATION DE L'OUTIL

Votre outil Bosch a été lubrifié correctement en usine et il est prêt à l'utilisation. Nous vous conseillons de re-graisser les outils qui comportent des engrenages avec un lubrifiant à engrenages spécial à chaque fois que vous changez les balais.

LUBRIFICATION DU MANDRIN

Le mandrin auto-serrant a été correctement lubrifié et est prêt à l'emploi. Si les mors du mandrin commencent à se coincer pendant l'utilisation, le mandrin doit être lubrifié. Pour cela, retirez d'abord les débris de l'intérieur du mandrin à l'air comprimé. Appliquez l'équivalent d'un petit pois de graisse universelle sur les côtés des mors et ouvrez et fermez le mandrin sur toute la plage de déplacement pour répartir la graisse.

BALAIS OU CHARBONS

Les balais (ou charbons) et le collecteur de votre outil ont été conçus pour apporter de nombreuses heures de fonctionnement fiable. Pour maintenir le rendement du moteur à son maximum, nous vous conseillons de contrôler les balais tous les deux à six

mois. Il ne faut utiliser que des balais de rechange Bosch d'origine et conçus pour votre outil.

PALIER

Après environ 300 à 400 heures de fonctionnement ou tous les deux changements de balais, il est conseillé de faire remplacer les paliers par un centre de service d'usine Bosch ou une station service agréée Bosch. Si les paliers commencent à faire du bruit (à cause de surcharges importantes ou du toupillage de matériaux très abrasifs) il faut les faire remplacer immédiatement pour éviter la surchauffe ou une panne de moteur.

Nettoyage

⚠ AVERTISSEMENT Pour éviter les accidents, il faut toujours débrancher l'outil avant de le nettoyer ou de l'entretenir. Le meilleur moyen de nettoyer l'outil est d'utiliser de l'air comprimé sec. Il faut toujours porter des lunettes de protection quand on utilise de l'air comprimé.

Les ouïes de ventilation et les leviers de l'interrupteur doivent rester propres et exempts de corps étrangers. Ne tentez pas de les nettoyer en enfouissant des objets pointus dans les orifices.

⚠ MISE EN GARDE Certains agents de nettoyages et certains dissolvants abîment les pièces en plastique. Parmi ceux-ci se trouvent: l'essence, le tétrachlorure de carbone, les dissolvants de nettoyage chlorés, l'ammoniaque ainsi que les détergents domestiques qui en contiennent.

Cordons de rallonge

⚠ AVERTISSEMENT Si un cordon de rallonge s'avère nécessaire, vous devez utiliser un cordon avec conducteurs de dimension adéquate pouvant porter le courant nécessaire à votre outil. Ceci préviendra une chute excessive de tension, une perte de courant ou une

surchauffe. Les outils mis à la terre doivent utiliser des cordons de rallonge trifilaires pourvus de fiches à trois broches ainsi que des prises à trois broches.

REMARQUE : Plus le calibre est petit, plus le fil est gros.

**DIMENSIONS DE RALLONGES RECOMMANDÉES
OUTILS 120 VOLTS COURANT ALTERNATIF**

Intensité nominale de l'outil	Calibre A.W.G.				Calibre en mm ²			
	Longueur en pieds				Longueur en mètres			
	25	50	100	150	15	30	60	120
3-6	18	16	16	14	0,75	0,75	1,5	2,5
6-8	18	16	14	12	0,75	1,0	2,5	4,0
8-10	18	16	14	12	0,75	1,0	2,5	4,0
10-12	16	16	14	12	1,0	2,5	4,0	—
12-16	14	12	—	—	—	—	—	—

**DIMENSIONS DE RALLONGES RECOMMANDÉES
OUTILS 120 VOLTS COURANT ALTERNATIF
(Modèle RZ25 uniquement)**

Intensité nominale de l'outil	Calibre A.W.G.		Calibre en mm ²	
	Longueur en pieds		Longueur en mètres	
	50	100	30	60
3-6	16	14	1,5	2,5
6-8	14	12	2,5	4,0
8-10	14	12	2,5	4,0
10-12	14	12	4,0	—
12-16	—	—	—	—

Accessoires

AVERTISSEMENT Utilisez uniquement les accessoires recommandés par Robert Bosch Tool Corporation avec cet outil. Les accessoires qui peuvent convenir à un outil peuvent devenir dangereux lorsqu'ils sont utilisés sur un autre outil.

Les accessoires qui sont compatibles avec les scies spirales Rotozip sont les suivants :
(Il se peut que ces articles soient vendus séparément)

Accessoire de tronçonnage à meule	Défonceuse en plongée)
Capuchon d'aspiration	Poignée de scie sauteuse
Guides coupe-cercle	Arbre flexible
Guide parallèle	

Embouts Zip®

La gamme d'accessoires et d'embouts Zip polyvalentes brevetées par Robert Bosch Tool Corporation vous donne la flexibilité requise pour passer d'un matériau à un autre et d'un projet à un autre sans avoir à changer d'outil.



Tableau d'embouts Zip	S C 5	T C 1	D C 1	F B R 1	G P 1 0	Z B 1 0	W D 1
Matériaux							
Carreaux Insonorisants	●						
Acrylique	●						
Bardage d' Aluminium	●						
Panneau de Fibraglo-ciment		●	●				
Carreaux Ceramiques pour Mur	●						
Placoplâtre					●	●	●
Fibre de Verre	●						
Fiberock				●			
Panneau de Mousse							●
Bois Franc	●						
Stratifiés	●						
Latte	●						
Marbre		●					
P.P.O.	●						
Plâtre		●	●				
Plastique	●						
Contreplaque	●						
Matériau a Surface Solide	●						
Stuc		●	●				
Couche de Sous-finition	●						
Bardage de Cynle	●						
Bois	●						
Compoites du Bois	●						

Normas de seguridad para herramientas mecánicas

⚠ ADVERTENCIA Lea y entienda todas las instrucciones. El incumplimiento de todas las instrucciones indicadas a continuación puede dar lugar a sacudidas eléctricas, incendios y/o lesiones personales graves.

CONSERVE ESTAS INSTRUCCIONES

Area de trabajo

Mantenga el área de trabajo limpia y bien iluminada. Las mesas desordenadas y las áreas oscuras invitan a que se produzcan accidentes.

No utilice herramientas mecánicas en atmósferas explosivas, tales como las existentes en presencia de líquidos, gases o polvos inflamables. Las herramientas mecánicas generan chispas y éstas pueden dar lugar a la ignición del polvo o los vapores.

Mantenga a las personas que se encuentren presentes, a los niños y a los visitantes alejados al utilizar una herramienta mecánica. Las distracciones pueden hacer que usted pierda el control.

Seguridad eléctrica

Las herramientas con aislamiento doble están equipadas con un enchufe polarizado (un terminal es más ancho que el otro). Este enchufe entrará en un tomacorriente polarizado solamente de una manera. Si el enchufe no entra por completo en el tomacorriente, déle la vuelta. Si sigue sin entrar, póngase en contacto con un electricista competente para instalar un tomacorriente polarizado. No haga ningún tipo de cambio en el enchufe. El aislamiento doble elimina la necesidad del sistema de cordón de energía de tres hilos conectado a tierra y la fuente de energía conectada a tierra. *Antes de enchufar la herramienta, asegúrese de que la tensión del tomacorriente suministrada se encuentre dentro del margen de la tensión especificada en la placa del fabricante. No utilice herramientas con capacidad nominal "AC solamente" ("AC only") con una fuente de energía DC.*

Evite el contacto del cuerpo con las superficies conectadas a tierra tales como tuberías, radiadores, estufas de cocina y refrigeradores. Hay mayor riesgo de que se produzcan sacudidas eléctricas si su cuerpo está conectado a tierra. Si la utilización de la herramienta mecánica en lugares húmedos es inevitable, se debe usar un interruptor de circuito para fallos a tierra para suministrar la energía a la herramienta. Los guantes de goma para electricista y el calzado antideslizante aumentarán más la seguridad personal.

No exponga las herramientas mecánicas a la lluvia ni a situaciones húmedas. La entrada de agua en una

herramienta mecánica aumentará el riesgo de que se produzcan sacudidas eléctricas.

No abuse del cordón. Nunca use el cordón para llevar las herramientas ni para sacar el enchufe de un tomacorriente. Mantenga el cordón alejado del calor, el aceite, los bordes afilados o las piezas móviles. Cambie los cordones dañados inmediatamente. Los cordones dañados aumentan el riesgo de que se produzcan sacudidas eléctricas.

Al utilizar una herramienta mecánica a la intemperie, utilice un cordón de extensión para intemperie marcado "W-A" o "W". Estos cordones tienen capacidad nominal para uso a la intemperie y reducen el riesgo de que se produzcan sacudidas eléctricas. Consulte "Tamaños recomendados de los cordones de extensión" en la sección Accesorios de este manual.

Seguridad personal

Manténgase alerta, fíjese en lo que está haciendo y use el sentido común cuando utilice una herramienta mecánica. No use la herramienta cuando esté cansado o se encuentre bajo la influencia de drogas, alcohol o medicamentos. Un momento de distracción al utilizar herramientas mecánicas puede dar lugar a lesiones personales graves.

Vístase adecuadamente. No se ponga ropa holgada ni joyas. Sujétese el pelo. Mantenga el pelo, la ropa y los guantes alejados de las piezas móviles. La ropa holgada, las joyas o el pelo largo pueden quedar atrapados en las piezas móviles. Mantenga los mangos secos, limpios y libres de aceite y grasa.

Evite el arranque accidental. Asegúrese de que el interruptor esté en la posición "OFF" (apagado) antes de enchufar la herramienta. El llevar las herramientas con el dedo en el interruptor o el enchufar herramientas que tengan el interruptor en la posición "ON" (encendido) invita a que se produzcan accidentes.

Quite las llaves de ajuste o de tuerca antes de encender la herramienta. Una llave de ajuste o de tuerca que se deje puesta en una pieza giratoria de la herramienta puede ocasionar lesiones personales.

No intente alcanzar demasiado lejos. Mantenga un apoyo de los pies y un equilibrio adecuados en todo momento. El apoyo de los pies y el equilibrio adecuados permiten un mejor control de la herramienta en situaciones inesperadas.

Utilice equipo de seguridad. Use siempre protección de los ojos. Se debe utilizar una máscara antipolvo, zapatos de seguridad antideslizantes, casco o protección de los oídos según lo requieran las condiciones.

Utilización y cuidado de las herramientas

Utilice abrazaderas u otro modo práctico de fijar y soportar la pieza de trabajo a una plataforma estable.

La sujeción de la pieza de trabajo con la mano o contra el cuerpo resulta inestable y puede ocasionar pérdida de control.

No fuerce la herramienta. Use la herramienta correcta para la aplicación que desea. La herramienta correcta hará el trabajo mejor y con más seguridad a la capacidad nominal para la que está diseñada.

No utilice la herramienta si el interruptor no la enciende o apaga. Toda herramienta que no se pueda controlar con el interruptor es peligrosa y debe ser reparada.

Desconecte el enchufe de la fuente de energía antes de hacer cualquier ajuste, cambiar accesorios o guardar la herramienta. Estas medidas de seguridad preventivas reducen el riesgo de arrancar la herramienta accidentalmente.

Guarde las herramientas que no esté usando fuera del alcance de los niños y otras personas no capacitadas. Las herramientas son peligrosas en las manos de los usuarios no capacitados.

Mantenga las herramientas con cuidado. Conserve las herramientas de corte afiladas y limpias. Las herramientas mantenidas adecuadamente, con bordes de corte afilados, tienen menos probabilidades de atascarse y son más fáciles de controlar. Toda alteración o modificación constituye un uso incorrecto y puede tener como resultado una situación peligrosa.

Compruebe la desalineación o el atasco de las piezas móviles, la ruptura de piezas y cualquier otra situación que pueda afectar el funcionamiento de las herramientas. Si la herramienta está dañada, haga que realicen un servicio de ajustes y reparaciones a la herramienta antes de usarla. Muchos accidentes son causados por herramientas mantenidas deficientemente. Establezca un programa de mantenimiento periódico para la herramienta.

Utilice únicamente accesorios que estén recomendados por el fabricante de su modelo. Los accesorios que pueden ser adecuados para una herramienta pueden volverse peligrosos cuando se utilizan en otra herramienta.

Servicio

El servicio de ajustes y reparaciones de una herramienta debe ser realizado únicamente por personal de reparaciones competente. El servicio o mantenimiento realizado por personal no competente podría ocasionar un peligro de que se produzcan lesiones. Por ejemplo: Los cables internos pueden colocarse mal o pellizcarse, los resortes de retorno de los protectores de seguridad pueden montarse inadecuadamente.

Al realizar servicio de ajustes y reparaciones de una herramienta, utilice únicamente piezas de repuesto idénticas. Siga las instrucciones que aparecen en la sección Mantenimiento de este manual. El uso de piezas no autorizadas o el incumplimiento de las instrucciones de Mantenimiento puede ocasionar un peligro de que se produzcan sacudidas eléctricas o lesiones. Ciertos agentes de limpieza, tales como gasolina, tetracloruro de carbono, amoníaco, etc., pueden dañar las piezas de plástico

Normas de seguridad para cortadoras giratorias

Sujete siempre la herramienta por las superficies de agarre aisladas al realizar una operación en la que la herramienta de corte pueda entrar en contacto con cables ocultos o con su propio cordón. El contacto con un cable con corriente transmitirá corriente a las piezas metálicas al descubierto y hará que el operador reciba sacudidas eléctricas. *Si el corte en paredes existentes u otras áreas ciegas donde puedan existir cables eléctricos es inevitable, desconecte todos los fusibles o cortacircuitos que alimentan el lugar de trabajo.*

Asegúrese siempre de que la superficie de trabajo no tenga clavos ni otros objetos extraños. El corte de un clavo puede hacer que la broca y la herramienta salten y que la broca se dañe.

Nunca tenga la pieza de trabajo en una mano y la herramienta en la otra al utilizarla. Nunca ponga las manos cerca o debajo de la superficie de corte. Es más seguro fijar con abrazaderas el material y guiar la herramienta con ambas manos.

Nunca ponga la pieza de trabajo sobre superficies duras, tales como hormigón, piedra, etc... la broca de corte que sobresale podrá hacer que la herramienta salte.

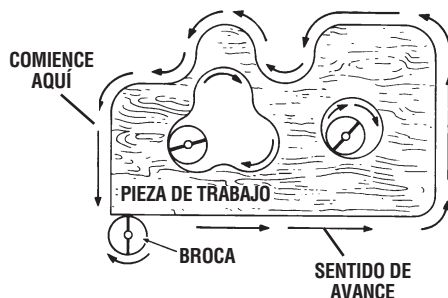
Use siempre gafas de seguridad y máscara antipolvo. Use la herramienta únicamente en un área bien ventilada. La utilización de dispositivos de seguridad personal y el trabajar en un entorno seguro reducen el riesgo de que se produzcan lesiones.

Después de cambiar las brocas o de hacer ajustes, asegúrese de que la tuerca del portaherramienta y otros dispositivos de ajuste estén apretados firmemente. Un dispositivo de ajuste flojo puede desplazarse inesperadamente, causando pérdida de control, y los componentes giratorios flojos saldrán despedidos violentamente.

Nunca arranque la herramienta cuando la broca esté acoplada en el material. El borde de corte de la broca puede engancharse en el material, causando pérdida de control de la cortadora.

Sujete siempre la herramienta con las dos manos durante el arranque. El par de reacción del motor puede hacer que la herramienta se tuerza.

Cuando frese o corte, el sentido de avance con el borde de corte de la broca introducido en el material es muy importante. Haga avanzar siempre la broca hacia el material en el mismo sentido en que el borde de corte esté saliendo del material. Al mirar a la herramienta desde arriba, la broca gira en el sentido de las agujas del reloj. Si la herramienta está entre la pieza de trabajo y el cuerpo del operador, haga avanzar la herramienta hacia la derecha. Si la pieza de trabajo está entre la herramienta y el cuerpo del operador, haga avanzar la herramienta hacia la izquierda. Si se hace avanzar la herramienta en sentido incorrecto, se hace que el borde de corte de la broca trepe, se salga de la pieza de trabajo y tire de la herramienta en el sentido de este avance.



Nunca use brocas desafiladas o dañadas. Las brocas afiladas se deben manejar con cuidado. Las brocas dañadas pueden romperse bruscamente durante el uso. Las brocas desafiladas requieren más fuerza para empujar la herramienta, con lo que es posible que la broca se rompa.

Nunca toque la broca durante ni inmediatamente después de la utilización. Después del uso, la broca está demasiado caliente como para tocarla con las manos desnudas.

Nunca deje la herramienta hasta que el motor se haya detenido por completo. La broca que gira puede engancharse en la superficie y tirar de la herramienta haciendo que usted pierda el control.

Nunca utilice brocas que tengan un diámetro de corte mayor que la abertura de la base.

No utilice la herramienta para taladrar. Esta herramienta no está diseñada para uso con brocas taladradoras.

Use siempre la herramienta con la guía de profundidad colocada firmemente y posicionada plana contra el material que se está cortando. El posicionamiento firme de la guía sobre el material mejora la estabilidad y el control de la herramienta.

No utilice el aditamento Zipmate sin el mango de control auxiliar duro. El asa de banda suave no proporciona un control suficiente para la operación de amolado.

⚠ ADVERTENCIA Cierta polvo generado por el lijado, aserrado, amolado y taladrado mecánicos, y por otras actividades de construcción, contiene agentes químicos que se sabe que causan cáncer, defectos de nacimiento u otros daños sobre la reproducción. Algunos ejemplos de estos agentes químicos son:

- Plomo de pinturas a base de plomo,
- Sílice cristalina de ladrillos y cemento y otros productos de mampostería, y
- Arsénico y cromo de madera tratada químicamente.

Su riesgo por causa de estas exposiciones varía, dependiendo de con cuánta frecuencia realice este tipo de trabajo. Para reducir su exposición a estos agentes químicos: trabaje en un área bien ventilada y trabaje con equipo de seguridad aprobado, como por ejemplo máscaras antipolvo que estén diseñadas especialmente para impedir mediante filtración el paso de partículas microscópicas.

Símbolos

IMPORTANTE: Es posible que algunos de los símbolos siguientes se usen en su herramienta. Por favor, estúdielos y aprenda su significado. La interpretación adecuada de estos símbolos le permitirá utilizar la herramienta mejor y con más seguridad.

Símbolo	Nombre	Designación/explicación
V	Volt	Tensión (potencial)
A	Ampere	Corriente
Hz	Hertz	Frecuencia (ciclos por segundo)
W	Watt	Potencia
kg	Kilogramo	Peso
min	Minuto	Tiempo
s	Segundo	Tiempo
∅	Diámetro	Tamaño de las brocas taladradoras, muelas, etc.
n_0	Velocidad sin carga	Velocidad rotacional sin carga
.../min	Revoluciones o alternación por minuto	Revoluciones, golpes, velocidad de superficie, órbitas, etc., por minuto
0	Posición "off" (apagado)	Velocidad cero, par motor cero...
1, 2, 3, ... I, II, III,	Graduaciones del selector	Graduaciones de velocidad, par motor o posición. Un número más alto significa mayor velocidad
	Selector infinitamente variable con apagado	La velocidad aumenta desde la graduación de 0
	Flecha	Acción en la dirección de la flecha
	Corriente alterna	Tipo o una característica de corriente
	Corriente continua	Tipo o una característica de corriente
	Corriente alterna o continua	Tipo o una característica de corriente
	Construcción de clase II	Designa las herramientas de construcción con aislamiento doble.
	Terminal de toma de tierra	Terminal de conexión a tierra
	Símbolo de advertencia	Alerta al usuario sobre mensajes de advertencia
	Sello RBRC™ de Ni-Cd	Designa el programa de reciclaje de baterías de Ni-Cd



Este símbolo indica que esta herramienta está catalogada por Underwriters Laboratories.



Este símbolo indica que Underwriters Laboratories ha catalogado esta herramienta indicando que cumple las normas canadienses.



Este símbolo indica que esta herramienta cumple con la norma mexicana oficial (NOM).



Este símbolo indica que esta herramienta está catalogada por la Canadian Standards Association.



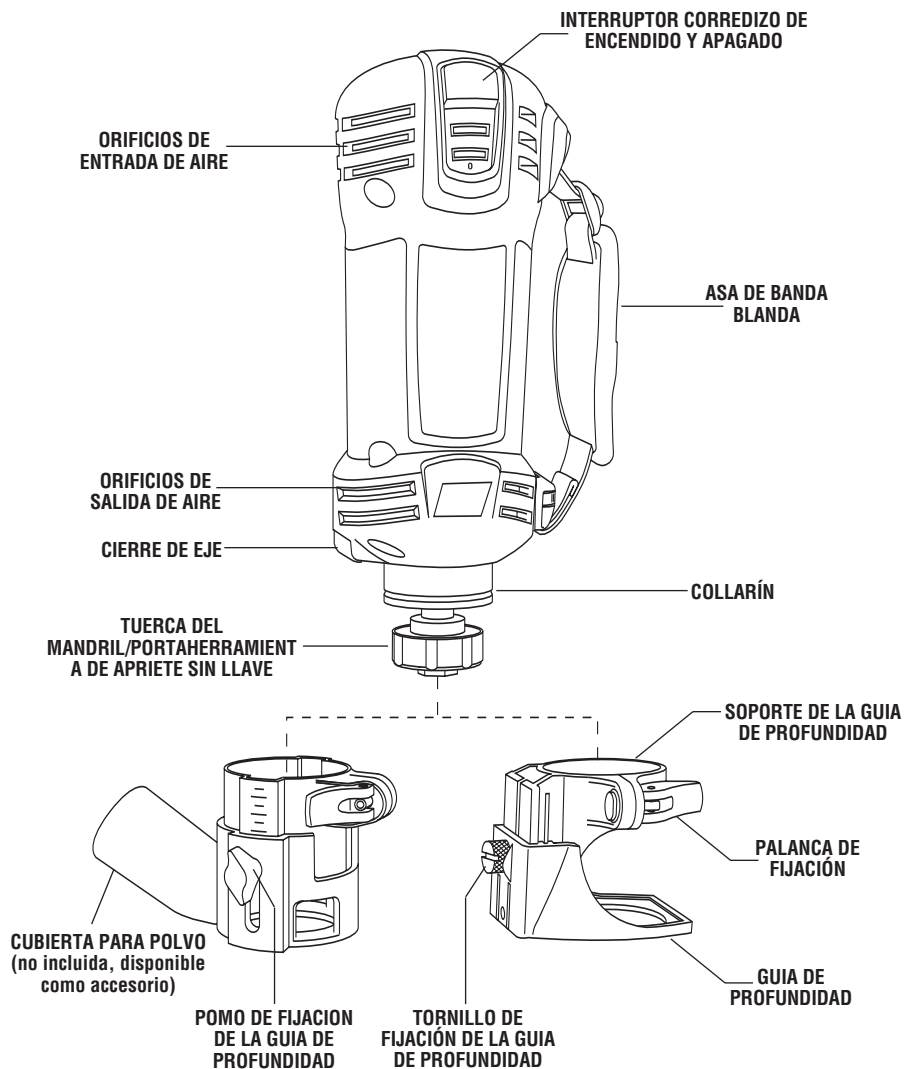
Este símbolo indica que esta herramienta está catalogada por Underwriters Laboratories y que Underwriters Laboratories la ha catalogado según las normas canadienses.

Descripción funcional y especificaciones

⚠ ADVERTENCIA Desconecte el enchufe de la fuente de energía antes de realizar cualquier ensamblaje o ajuste, o cambiar accesorios. Estas medidas de seguridad preventivas reducen el riesgo de arrancar la herramienta accidentalmente.

Spiral Saw™

FIG. 1



NOTA: Para obtener las especificaciones de la herramienta, consulte la placa del fabricante colocada en la herramienta.

Ensamblaje

⚠ ADVERTENCIA Desconecte el enchufe de la fuente de energía antes de realizar cualquier ensamblaje o ajuste, o cambiar accesorios. Estas medidas de seguridad preventivas reducen el riesgo de arrancar la herramienta accidentalmente. Asegúrese de que la tuerca del portaherramienta esté apretada firmemente antes de encender la herramienta.

DESMONTAJE E INSTALACIÓN DEL ENSAMBLAJE DE LA GUÍA DE PROFUNDIDAD

El ensamblaje de la guía de profundidad consta de la guía de profundidad, el tornillo de fijación y un soporte.

Con el fin de quitar la guía de profundidad de la herramienta, suelte la palanca de fijación y tire todo el ensamblaje directamente hacia fuera de la herramienta. Para volver a acoplar el ensamblaje, vuelva a colocar

completamente la guía en el collarín de la herramienta y fije la palanca de sujeción (figura 1).

DESMONTAJE E INSTALACIÓN DEL ENSAMBLAJE DE LA CUBIERTA PARA POLVO

(No incluida, disponible como accesorio)

La cubierta para polvo tiene el tamaño adecuado para aceptar mangueras de aspiración de 35 mm.

El ensamblaje de la cubierta para polvo consta de la cubierta para polvo, el pomo de fijación y un soporte.

Para retirar el ensamblaje de la cubierta para polvo, suelte la palanca de fijación y tire todo el ensamblaje directamente hacia afuera de la herramienta. Para reinstalar el ensamblaje, vuelva a colocar completamente la guía en el collarín de la herramienta y fije la palanca de sujeción (figura 1).

INSTALACIÓN DE LAS BROCAS (modelos de apriete sin llave)

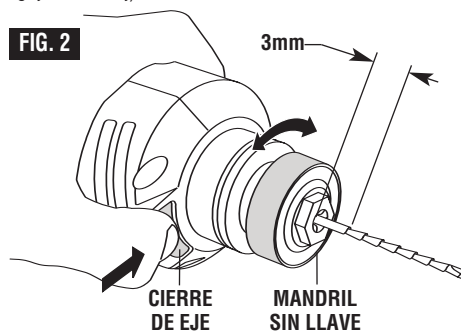
Las brocas son sujetadas mediante un sistema de portaherramienta de apriete sin llave diseñado específicamente para brocas de sierra espiral con vástagos de 1/8" (0.125"), 1/4" (0.250") ó 5/32" (0.156").

⚠ ADVERTENCIA Las estrías de las brocas están afiladas y deben manejarse con precaución.

Oprima y mantenga oprimido el cierre del eje y gire el mandril sin llave y el eje hasta que el cierre del eje se acople y fije el eje.

⚠ PRECAUCIÓN Para evitar daños a la herramienta. Nunca use el cierre del eje como dispositivo de frenado para hacer que la herramienta deje de girar.

Gire el mandril sin llave en el sentido contrario al de las agujas del reloj (Fig. 2). Quite la broca vieja, si hay una, e inserte la broca nueva lo más adentro posible, pero sin que las estrías de la broca se enganchen en las mordazas del mandril (deje aproximadamente un 1/8 de pulgada (3 mm) del cuerpo de la broca expuesto). Vuelva a enganchar el cierre del eje y apriete firmemente el mandril sin llave (en el sentido de las agujas del reloj) a mano.



Nota: Cuando utilice brocas de 1/4 y 5/32 de pulgada, puede que se necesite usar una llave en la parte delantera del mandril sin llave para apretar firmemente la broca.

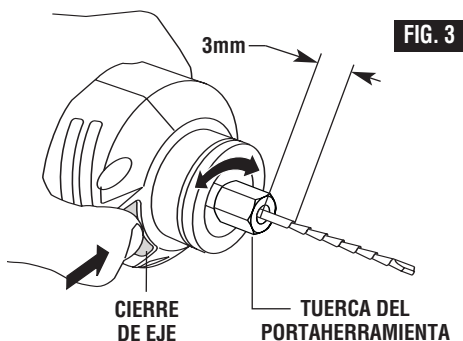
INSTALACIÓN DE LAS BROCAS (modelos estándar)

Las brocas son sujetadas mediante un sistema de portaherramienta. Utilice el portaherramienta de 1/8" (0.125"), 1/4" (0.250") ó 5/32" (0.156") dependiendo del tamaño del vástago de la broca.

Presione y mantenga presionado el cierre del eje y gire la tuerca del portaherramienta y el eje hasta que el cierre del eje se acople y mantenga sujeto el eje.

Utilice la llave de tuerca del equipo estándar para aflojar la tuerca (en sentido contrario al de las agujas del reloj) (Fig. 3).

Quite la broca vieja (en caso de que la haya) e introduzca la broca nueva tanto como sea posible, pero no tanto que las estrías de la broca se acoplen en el portaherramienta (deje aproximadamente 1/8" del vástago de la broca al descubierto). Reacople el cierre del eje y apriete la tuerca (en el sentido de las agujas del reloj) a mano y luego con la llave de tuerca hasta que esté firmemente sujeta.



CAMBIO DE LA PORTAHERRAMIENTA

La portaherramienta de 1/8" (0.125") se usa con Brocas Zip de 1/8" (0.125") de diámetro, la portaherramienta de 1/4" (0.250") se usa con Brocas Zip de 1/4" (0.250") de diámetro y la de 5/32" (0.156") con Brocas Zip de 5/32" (0.156"). Para cambiar la portaherramienta, primero retire la Broca Zip. Continúe aflojando y desenrosque la tuerca de la portaherramienta hasta que pueda retirarla de la herramienta y reemplácela con otra (Fig. 4) (puede usarse cualquiera de los dos extremos de la portaherramienta). Con la mano vuelva a apretar la tuerca de la portaherramienta en la portaherramienta girando hacia la derecha. Ahora puede insertar una nueva Broca Zip como se indica en instalación de las brocas (Fig. 2 ó 3).

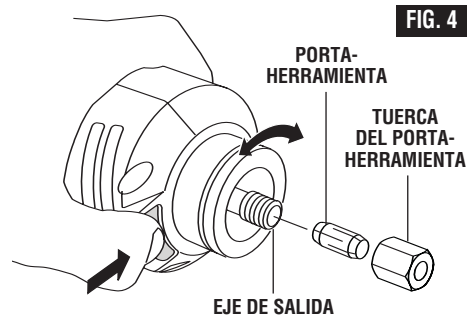


FIG. 4

DESMONTAJE E INSTALACIÓN DEL MANGO DE CONTROL AUXILIAR DURO

Apague la herramienta y desenchúfela. Agarre firmemente la herramienta. Levante la cubierta del botón de liberación del mango, oprima el botón de liberación y quite el mango (figura 5).

Acople suavemente los dos (2) pestillos frontales del mango en la herramienta y empuje el mango hasta que se acople firmemente a presión en su sitio.

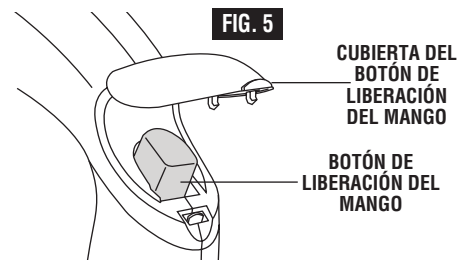


FIG. 5

REMOCIÓN E INSTALACIÓN DEL ASA DE BANDA BLANDA (estilo viejo)

⚠ ADVERTENCIA Utilice siempre el asa auxiliar para tener el máximo control sobre la reacción de par motor o el retroceso. La utilización de la herramienta sin tener el asa instalada podría causar pérdida de control.

Para realizar la remoción, introduzca un destornillador de punta plana entre la lengüeta y el clip, de la manera que se muestra en la ilustración, y gire el destornillador en sentido contrario al de las agujas del reloj, levantando la lengüeta hasta que el clip se suelte de la carcasa (Fig. 6).

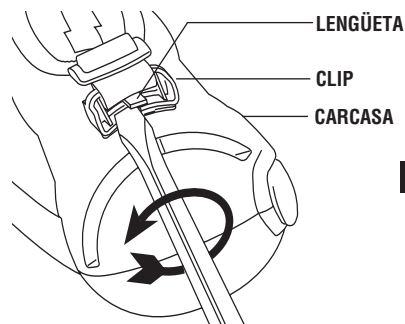


FIG. 6

Para realizar la instalación, introduzca primero un lado del pestillo en la carcasa de la herramienta y luego empuje firmemente el otro pestillo al interior de la carcasa, a la vez que ejerce presión en el sentido de la flecha hasta que el clip quede bloqueado firmemente en la carcasa (Fig. 6a).

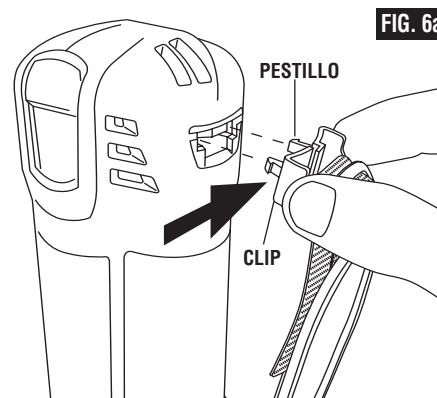
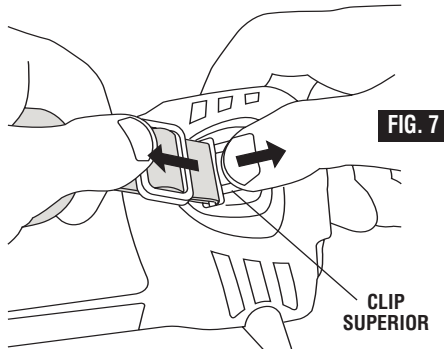


FIG. 6a

Repita este procedimiento en el extremo opuesto de la correa.

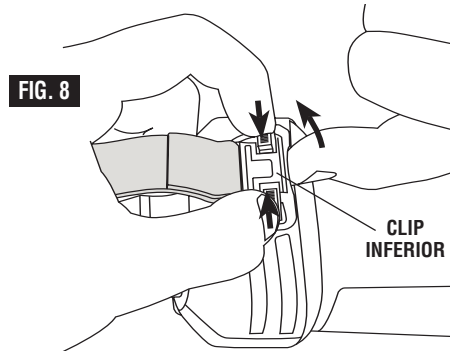
REMOCIÓN E INSTALACIÓN DEL ASA BLANDA (estilo nuevo)

1. Presione y mantenga presionada la lengüeta de liberación del clip superior (Fig. 7).
 2. Tire de la correa alejándola de la herramienta (Fig. 7).
- Mientras presiona la lengüeta de liberación del gancho del clip superior está presionada, tire de la correa del asa alejándola directamente de la herramienta (Fig. 7).



3. Oprima desde cada lado y mantenga oprimidas ambas lengüetas de liberación del clip inferior (Fig. 8).
4. Levante la parte trasera del clip alejándola de la herramienta (Fig. 8).

Mientras presiona ambas lengüetas de liberación del clip inferior, levante la parte trasera del clip alejándola de la herramienta (Fig. 8).



GUÍA DE CORTE EN CÍRCULO (no incluida, disponible como accesorio)

La herramienta está equipada con una guía de corte en círculo que puede sujetarse con facilidad directamente a la guía de profundidad o al accesorio de cubierta para polvo opcional.

1. Para instalar, coloque la placa de adaptación y la guía de corte en círculo tal como se muestra y engánchelas a presión en la guía de profundidad o la cubierta para polvo, (Fig. 9).
2. Para desmontar, sencillamente levante la lengüeta en la guía de profundidad y saque la guía de corte en círculo y la placa de adaptación.

Este accesorio le permite cortar círculos perfectos desde 3,5 hasta 12 pulgadas (de 9 a 30 cm) de diámetro con su herramienta mecánica Bosch.

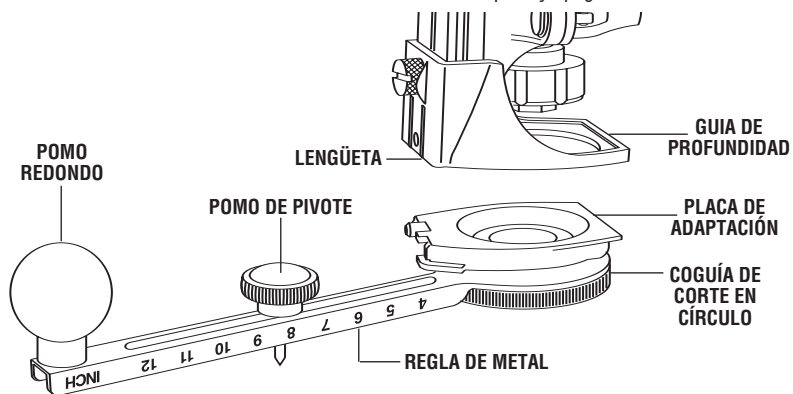
Afloje el pomo de pivote y deslícelo hasta el diámetro de agujero deseado que se vaya a cortar. Alinee el pomo con el tamaño de diámetro del círculo que desea cortar.

Para medidas inglesas (pulgadas), utilice la escala que está en el costado de la regla de metal. Para medidas métricas (cm), utilice la escala que está en costado opuesto de la regla de metal.

Empiece a cortar en el sentido de las agujas del reloj usando una presión constante y moderada. Si necesita cambiar la posición de las manos, retire ligeramente la herramienta de la pieza de trabajo moviéndola en el sentido contrario al de las agujas del reloj. Empiece a cortar de nuevo en el sentido de las agujas del reloj.

Siga cortando el círculo hasta que haya cortado la forma completa y apague la herramienta.

FIG. 9



Instrucciones de funcionamiento

INTERRUPTOR CORREDIZO DE ENCENDIDO Y APAGADO

Esta herramienta se enciende mediante el interruptor corredizo ubicado en la parte delantera de la caja protectora del motor (Fig. 10).

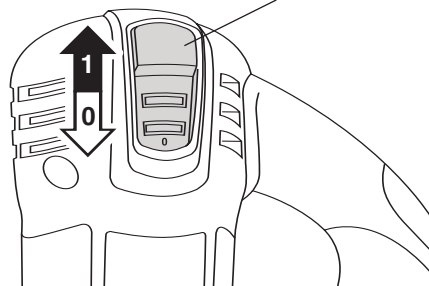
PARA ENCENDER LA HERRAMIENTA, deslice el botón del interruptor hacia arriba hasta la posición "1".

PARA APAGAR LA HERRAMIENTA, deslice el interruptor hacia abajo, hasta la posición "0"

⚠ ADVERTENCIA Sujete la herramienta con las dos manos al arrancarla, ya que el par ocasionado por el motor puede hacer que la herramienta se tuerza.

FIG. 10

INTERRUPTOR CORREDIZO DE ENCENDIDO Y APAGADO



AJUSTE DE LA GUÍA DE PROFUNDIDAD

Utilice la guía de profundidad para ajustar la profundidad de corte. Con el extremo de la llave estándar afloje el tornillo (a la izquierda) hasta que la guía de la profundidad pueda deslizarse hacia arriba o abajo, a la profundidad deseada de corte (aproximadamente 1/8" mayor que el espesor del material) y vuelva a apretar el tornillo de fijación (en el sentido de las agujas del reloj) (Fig. 11).

TORNILLO DE FIJACIÓN DE LA GUÍA DE PROFUNDIDAD

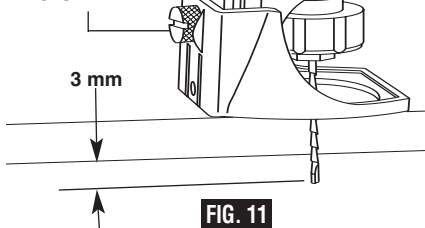


FIG. 11

HAGA CORTES DE ENSAYO

Después de instalar la Broca Zip en la herramienta y ajustar la guía de profundidad debe hacer algunos cortes para practicar con la herramienta antes de hacer el corte real.

La práctica le dará habilidad para hacer cortes profesionales..

Paso 1

Asegúrese de que la tuerca de la boquilla esté fija y segura antes de encender la herramienta.

Paso 2

Sostenga firmemente la herramienta y enciéndala en la velocidad deseada.

CONSEJOS PRÁCTICOS

Paso 3

Sostenga la herramienta firmemente e inserte la Broca Zip en el material con un ángulo de 45 (Fig. 12).

Paso 4

Ponga la herramienta con cuidado en un ángulo de 90° para empezar a cortar (Fig. 13). La guía de la base debe quedar al ras con la superficie del material. Todos los materiales deben cortarse avanzando hacia la derecha (EXCEPTO al cortar alrededor de una caja de salida en un muro), en forma lenta y continua.

Paso 5

Al terminar su corte, apague la herramienta y retírela con cuidado del material.

No intente usar esta herramienta para hacer cortes alrededor de piezas fijas o aberturas con cables eléctricos vivos, o en una pared que pueda esconder cables eléctricos ya que la Broca Zip puede conducir la corriente a la herramienta y representar un riesgo de electrocución del operador. Apague los interruptores o retire los fusibles para desconectar el circuito. Al trabajar con la herramienta sosténgala siempre de la caja termoplástica y use protección para los ojos.

NOTA: Debido al funcionamiento giratorio de corte de la Broca Zip, se producirá un ligero tirón al cortar. Tendrá más control al cortar más lento. La presión excesiva o la rapidez al cortar pueden provocar el calentamiento excesivo y reducir la vida útil de la Broca Zip.

NOTA: Al cortar una superficie vertical evite terminar el corte en la parte inferior del orificio. Procure iniciar y terminar el corte en la parte superior de manera que la pieza que no va a utilizar no caiga en la Broca Zip que gira. Apague la herramienta y retírela del material.

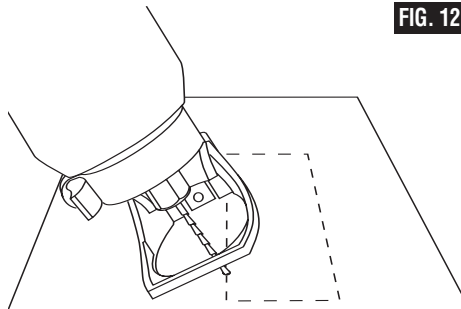


FIG. 12

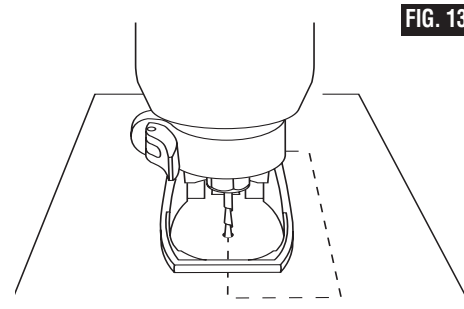


FIG. 13

INSTRUCCIONES ILUSTRADAS PARA HACER ABERTURAS PERFECTAS PARA TOMACORRIENTES EN PAREDES DE TIPO SECO

El procedimiento siguiente ilustrará como hacer un corte para una caja eléctrica estándar de 54 mm X 76 mm

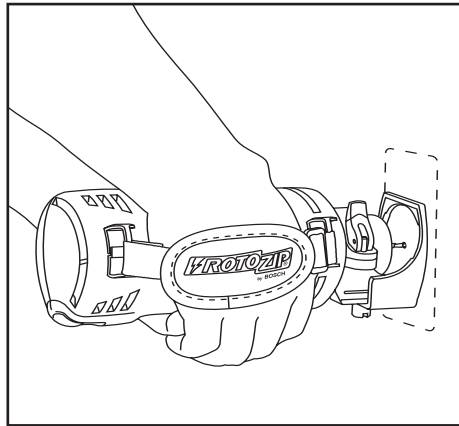
REALIZACION DE CORTES EN PARED DE TIPO SECO

Después de ensamblar la broca en la herramienta tal como se describió anteriormente, será necesario estudiar las instrucciones proporcionadas más adelante y hacer algunos cortes de aberturas de práctica con esta herramienta antes de intentar realizar un trabajo real. El mejor método es tomar algunos pedazos de desecho y clavarlos o atornillarlos en su sitio sobre postes de pared que tengan una caja eléctrica u otro dispositivo colocado. Unos cuantos de dichos ejercicios le darán la práctica necesaria para realizar cortes de aberturas limpios y profesionales alrededor de lo que esté detrás de la pared de tipo seco que se esté instalando.

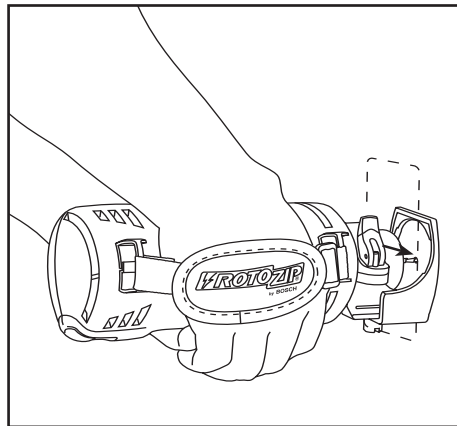
⚠ ADVERTENCIA No intente utilizar esta herramienta para hacer cortes de aberturas alrededor de cualquier dispositivo o abertura que tenga cables eléctricos con corriente ni en ninguna pared que pueda tener cables eléctricos con corriente detrás de ella, ya que la

broca podría conducir la corriente hasta la herramienta, creando un peligro de electrocución para el operador. Desactive los cortacircuitos o quite los fusibles para desconectar el circuito. Sujete siempre la herramienta por su caja protectora termoplástica y use siempre protección de los ojos al utilizar este dispositivo.

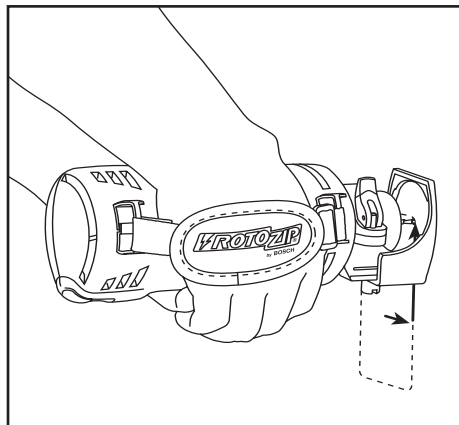
Paso 1: Asegúrese de que la caja o el dispositivo que requiere un corte de abertura esté montado firmemente y de que todos los cables u otras obstrucciones alrededor de la abertura estén empujados hacia atrás, fuera del paso. La broca de corte de aberturas en pared de tipo seco usa el borde exterior de la caja o dispositivo como guía, por lo que es importante que no haya nada en el paso que pueda evitar que la guíe completamente alrededor de la abertura. Para los propósitos de este manual de instrucciones, el procedimiento comentado será hacer un corte de abertura alrededor de una caja eléctrica estándar de 2 1/8" x 3 3/4".

**Paso 2**

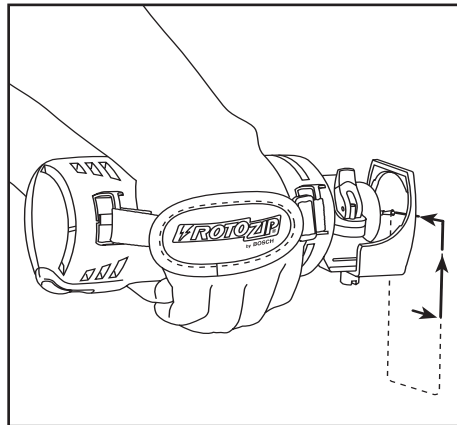
Deslice el interruptor para encender la herramienta. Mientras sujeta firmemente con las dos manos su herramienta Spiral Saw™, empuje la broca Zip en el lugar que haya marcado. Luego guíe la broca hacia la derecha hasta que sienta y escuche cuando la broca Zip toca el borde interno de la caja.

**Paso 3**

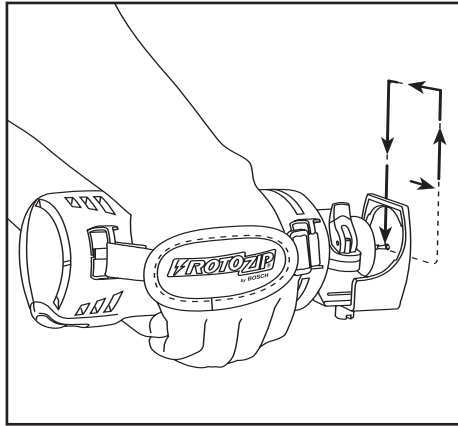
Saque la broca Zip sólo lo suficiente para deslizarla sobre el borde de la caja de modo que ahora la broca Zip se encuentre contra la parte **exterior** de la caja. No es necesario que tire de la broca Zip hasta sacarla completamente de la pared de tipo seco. Al llegar a este punto, debe convertirse en artista, usando la caja como plantilla para seguir el contorno de la caja tomacorriente.

**Paso 4**

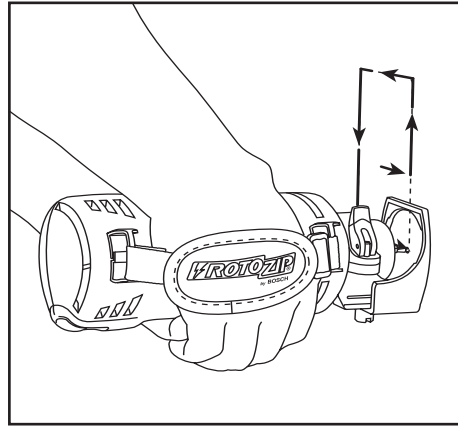
Al mismo tiempo que mantiene la broca Zip en contacto con el lado externo de la caja, mueva la herramienta en el sentido contrario al de las agujas del reloj mientras aplica ligeramente una presión hacia adentro y hacia arriba hasta que sienta cuando llegue a la esquina. A medida que dé la vuelta a la esquina aplique una presión ligera hacia la izquierda y hacia abajo.

**Paso 5**

Al mismo tiempo que se mueve lenta y continuamente a lo largo del contorno superior usted sentirá cuando la broca llegue a la próxima esquina. Dé la vuelta a la esquina y aplique una presión ligera hacia abajo y hacia adentro hasta que llegue a la esquina de la parte inferior.

**Paso 6**

Mueva la broca Zip hacia la derecha y hacia arriba manteniendo una presión ligera y continua hacia la caja.

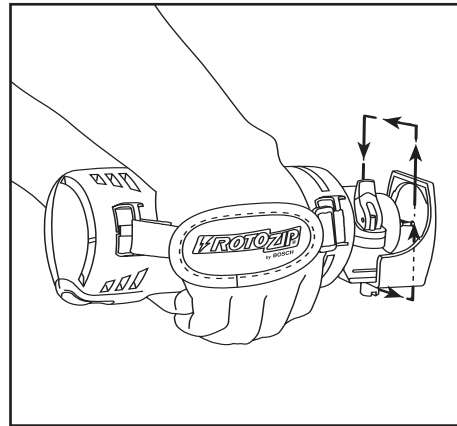
**Paso 7**

Dé la vuelta a la esquina derecha de la parte inferior y comience a mover la broca Zip hacia arriba al mismo tiempo que aplica una presión ligera hacia la izquierda y hacia la caja hasta que se encuentre con el corte inicial hacia arriba. Empuje el interruptor de la herramienta Spiral Saw hacia la posición de apagado.

Paso 8

La caja terminada, ejecutada rápidamente, en debida forma — y en una fracción del tiempo que se tarda con otros métodos.

Estas instrucciones paso por paso están generalizadas para familiarizarle con el funcionamiento de la Spiral Saw. Después de un poco de práctica, usted podrá desarrollar una técnica de movimiento con la que se sienta más cómodo. Sin embargo, siempre debe comenzar el corte algo hacia el centro y MOVER LA SPIRAL SAW ÚNICAMENTE EN SENTIDO CONTRARIO AL DE LAS AGUJAS DEL RELOJ para aprovechar la acción de “abrazo” de la broca al girar a lo largo de los contornos de la plantilla. Un movimiento en el sentido de las agujas del reloj hará con toda seguridad que la broca rebote alejándose de la plantilla, y el resultado será un corte de abertura dañado. Recuerde usar un movimiento suave y continuo.



Mantenimiento

Servicio

ADVERTENCIA El mantenimiento preventivo realizado por personal no autorizado puede dar lugar a la colocación incorrecta de cables y componentes internos que podría constituir un peligro serio. Recomendamos que todo el servicio de las herramientas sea realizado por un Centro de servicio de fábrica Bosch o por una Estación de servicio Bosch autorizada.

LUBRICACIÓN DE LAS HERRAMIENTAS

Su herramienta Bosch ha sido lubricada adecuadamente y está lista para la utilización. Se recomienda que las herramientas con engranajes se vuelvan a engrasar con un lubricante especial para engranajes en cada cambio de escobillas.

LUBRICACIÓN DEL MANDRIL

El mandril de apriete sin llave ha sido lubricado apropiadamente y está listo para utilizarse. Si las mordazas del mandril empiezan a agarrotarse durante el uso, el mandril requiere lubricación. Para lubricar el mandril, quite primero los residuos del interior del mandril utilizando aire comprimido. Aplique una cantidad de grasa de uso general del tamaño de una arveja a los lados de las mordazas y ajuste el mandril en todo su intervalo de movimiento para distribuir la grasa.

ESCOBILLAS DE CARBÓN

Las escobillas y el conmutador de la herramienta han sido diseñados para muchas horas de servicio fiable. Para mantener un rendimiento óptimo del motor, recomendamos que cada dos a seis meses se examinen

las escobillas. Sólo se deben usar escobillas de repuesto Bosch genuinas diseñadas específicamente para su herramienta.

RODAMIENTOS

Después de 300-400 horas de funcionamiento, o después de cada segundo cambio de escobillas, los rodamientos deben cambiarse en un Centro de servicio de fábrica Bosch o en una Estación de servicio Bosch autorizada. Los rodamientos que se vuelven ruidosos (debido a la pesada carga o al corte de materiales muy abrasivos) deben ser sustituidos inmediatamente para evitar el sobrecalentamiento o el fallo del motor.

Limpieza

ADVERTENCIA Para evitar accidentes desconecte siempre la herramienta de la fuente de energía antes de la limpieza o de la realización de cualquier mantenimiento. La herramienta se puede limpiar más eficazmente con aire comprimido seco. Use gafas de seguridad siempre que limpie herramientas con aire comprimido.

Las aberturas de ventilación y las palancas de interruptor deben mantenerse limpias y libres de materias extrañas. No intente limpiar introduciendo objetos puntiagudos a través de las aberturas.

PRECAUCION Ciertos agentes de limpieza y disolventes dañan las piezas de plástico. Algunos de estos son: gasolina, tetracloruro de carbono, disolventes de limpieza clorados, amoníaco y detergentes domésticos que contienen amoníaco.

Cordones de extensión

ADVERTENCIA Si es necesario un cordón de extensión, se debe usar un cordón con conductores de tamaño adecuado que sea capaz de transportar la corriente necesaria para la herramienta. Esto evitará caídas de tensión excesivas, pérdida de potencia o recalentamiento. Las herramientas

conectadas a tierra deben usar cordones de extensión de 3 hilos que tengan enchufes de 3 terminales y receptáculos para 3 terminales.

NOTA: Cuanto más pequeño es el número de calibre, más grueso es el cordón.

TAMAÑOS RECOMENDADOS DE CORDONES DE EXTENSION
HERRAMIENTAS DE 120 V CORRIENTE ALTERNA

Capacidad nominal en amperes de la herramienta	Tamaño del cordón en A.W.G.				Tamaños del cable en mm ²			
	Longitud del cordón en pies				Longitud del cordón en metros			
	25	50	100	150	15	30	60	120
3-6	18	16	16	14	0,75	0,75	1,5	2,5
6-8	18	16	14	12	0,75	1,0	2,5	4,0
8-10	18	16	14	12	0,75	1,0	2,5	4,0
10-12	16	16	14	12	1,0	2,5	4,0	—
12-16	14	12	—	—	—	—	—	—

TAMAÑOS RECOMENDADOS DE CORDONES DE EXTENSION
HERRAMIENTAS DE 120 V CORRIENTE ALTERNA
(Modelo RZ25 únicamente)

Capacidad nominal en amperes de la herramienta	Tamaño del cordón en A.W.G.		Tamaños del cable en mm ²	
	Longitud del cordón en pies		Longitud del cordón en metros	
	50	100	30	60
3-6	16	14	1,5	2,5
6-8	14	12	2,5	4,0
8-10	14	12	2,5	4,0
10-12	14	12	4,0	—
12-16	—	—	—	—

Accesorios

ADVERTENCIA Con esta herramienta, utilice únicamente accesorios Robert Bosch Tool Corporation recomendados. Los accesorios que puedan ser adecuados para una herramienta pueden convertirse en un peligro cuando se utilicen en otra.

Los aditamentos que son compatibles con las sierras espirales Rotozip son los siguientes:
(es posible que estos artículos se vendan por separado)

Accesorio de rueda abrasiva
Cubierta para polvo
Guías de corte en círculo
Guía de borde recto

Fresadora de descenso vertical
Mango de sierra caladora
Eje flexible

Brocas Zip®

La línea patentada de Brocas Zip y accesorios versátiles Zip de Robert Bosch Tool Corporation, le brindan flexibilidad para pasar rápidamente de un material a otro y de un trabajo a otro sin el inconveniente de cambiar de herramienta.



Tarjeta de la Broca Zip	SC5	TC1	DC1	FBR1	GP10	ZB10	WD1
Materiales							
Losa Acústica	●						
Acrílico	●						
Chapa de Aluminio	●						
Tablones de cemento		●	●				
Losa de Cerámica Mural	●						
Muro de Piedra en Seco					●	●	●
Fibra de Vidrio	●						
Fiberock				●			
Plancha de Espuma	●						●
Madera Dura	●						
Laminados	●						
Varilla	●						
Mármol		●					
O.S.B.	●						
Yeso		●	●				
Plástico	●						
Madera Contrachapada	●						
Materiales de Superficie	●						
Estuco		●	●				
Capas Debajo del Piso de Madera	●						
Chapa de Vinilo	●						
Madera	●						
Compuestos de Madera	●						

LIMITED WARRANTY OF BOSCH PORTABLE AND BENCHTOP POWER TOOLS

Robert Bosch Tool Corporation ("Seller") warrants to the original purchaser only, that all BOSCH portable and benchtop power tools will be free from defects in material or workmanship for a period of one year from date of purchase. SELLER'S SOLE OBLIGATION AND YOUR EXCLUSIVE REMEDY under this Limited Warranty and, to the extent permitted by law, any warranty or condition implied by law, shall be the repair or replacement of parts, without charge, which are defective in material or workmanship and which have not been misused, carelessly handled, or misrepaired by persons other than Seller or Authorized Service Station. To make a claim under this Limited Warranty, you must return the complete portable or benchtop power tool product, transportation prepaid, to any BOSCH Factory Service Center or Authorized Service Station. For Authorized BOSCH Power Tool Service Stations, please refer to your phone directory.

THIS LIMITED WARRANTY DOES NOT APPLY TO ACCESSORY ITEMS SUCH AS CIRCULAR SAW BLADES, DRILL BITS, ROUTER BITS, JIGSAW BLADES, SANDING BELTS, GRINDING WHEELS AND OTHER RELATED ITEMS.

ANY IMPLIED WARRANTIES SHALL BE LIMITED IN DURATION TO ONE YEAR FROM DATE OF PURCHASE. SOME STATES IN THE U.S., SOME CANADIAN PROVINCES DO NOT ALLOW LIMITATIONS ON HOW LONG AN IMPLIED WARRANTY LASTS, SO THE ABOVE LIMITATION MAY NOT APPLY TO YOU.

IN NO EVENT SHALL SELLER BE LIABLE FOR ANY INCIDENTAL OR CONSEQUENTIAL DAMAGES (INCLUDING BUT NOT LIMITED TO LIABILITY FOR LOSS OF PROFITS) ARISING FROM THE SALE OR USE OF THIS PRODUCT. SOME STATES IN THE U.S. AND SOME CANADIAN PROVINCES DO NOT ALLOW THE EXCLUSION OR LIMITATION OF INCIDENTAL OR CONSEQUENTIAL DAMAGES, SO THE ABOVE LIMITATION OR EXCLUSION MAY NOT APPLY TO YOU.

THIS LIMITED WARRANTY GIVES YOU SPECIFIC LEGAL RIGHTS, AND YOU MAY ALSO HAVE OTHER RIGHTS WHICH VARY FROM STATE TO STATE IN THE U.S., PROVINCE TO PROVINCE IN CANADA AND FROM COUNTRY TO COUNTRY.

THIS LIMITED WARRANTY APPLIES ONLY TO PORTABLE AND BENCHTOP ELECTRIC TOOLS SOLD WITHIN THE UNITED STATES OF AMERICA, CANADA AND THE COMMONWEALTH OF PUERTO RICO. FOR WARRANTY COVERAGE WITHIN OTHER COUNTRIES, CONTACT YOUR LOCAL BOSCH DEALER OR IMPORTER.

GARANTIE LIMITÉE DES OUTILS ÉLECTRIQUES PORTATIFS ET D'ÉTABLI BOSCH

Robert Bosch Tool Corporation (le « vendeur ») garantit à l'acheteur initial seulement que tous les outils électriques portatifs et d'établi BOSCH seront exempts de vices de matériaux ou d'exécution pendant une période d'un an depuis la date d'achat. LA SEULE OBLIGATION DU VENDEUR ET LE SEUL RECOURS DE L'ACHETEUR sous la présente garantie limitée, et en autant que la loi le permette sous toute garantie ou condition implicite qui en découlerait, sera l'obligation de remplacer ou réparer gratuitement les pièces défectueuses matériellement ou comme fabrication, pourvu que lesdites défectuosités ne soient pas attribuables à un usage abusif ou à quelque réparation bricolée par quelqu'un d'autre que le vendeur ou le personnel d'une station-service agréée. Pour présenter une réclamation en vertu de cette garantie limitée, vous devez renvoyer l'outil électrique portatif ou d'établi complet, port payé, à tout centre de service agréé ou centre de service usine. Veuillez consulter votre annuaire téléphonique pour les adresses.

LA PRÉSENTE GARANTIE NE S'APPLIQUE PAS AUX ACCESSOIRES TELS QUE LAMES DE SCIES CIRCULAIRES, MÊCHES DE PERCEUSES, FERS DE TOUPIES, LAMES DE SCIES SAUTEUSES, COURROIES DE PONÇAGE, MEULES ET AUTRES ARTICLES DU GENRE.

TOUTE GARANTIE IMPLICITE SERA LIMITÉE COMME DURÉE À UN AN À COMPTER DE LA DATE D'ACHAT. CERTAINS ÉTATS AMÉRICAINS, CERTAINES PROVINCES CANADIENNES N'ADMETTANT PAS LE PRINCIPE DE LA LIMITATION DE LA DURÉE DES GARANTIES IMPLICITES, IL EST POSSIBLE QUE LES LIMITATIONS CI-DESSUS NE S'APPLIQUENT PAS À VOTRE CAS.

EN AUCUN CAS LE VENDEUR NE SAURAIT ÊTRE TENU POUR RESPONSABLE DES INCIDENTS OU DOMMAGES INDIRECTS (INCLUANT, MAIS NE SE LIMITANT PAS AUX PERTES DE PROFITS) CONSÉCUTIFS À LA VENTE OU L'USAGE DE CE PRODUIT. CERTAINS ÉTATS AMÉRICAINS ET CERTAINES PROVINCES CANADIENNES N'ADMETTANT PAS LE PRINCIPE DE LA LIMITATION NI L'EXCLUSION DES DOMMAGES INDIRECTS ET CONSÉQUENTIELS, IL EST POSSIBLE QUE LES LIMITATIONS OU EXCLUSIONS CI-DESSUS NE S'APPLIQUENT PAS À VOTRE CAS.

LA PRÉSENTE GARANTIE VOUS ACCORDE DES DROITS BIEN DÉTERMINÉS, Y COMPRIS POSSIBLEMENT CERTAINS DROITS VARIABLES DANS LES DIFFÉRENTS ÉTATS AMÉRICAINS, PROVINCES CANADIENNES ET DE PAYS À PAYS.

CETTE GARANTIE LIMITÉE NE S'APPLIQUE QU'ÀUX OUTILS ÉLECTRIQUES PORTATIFS ET D'ÉTABLI VENDUS AUX ÉTATS-UNIS D'AMÉRIQUE, AU CANADA ET AU COMMONWEALTH DE PUERTO RICO. POUR COUVERTURE DE GARANTIE DANS LES AUTRES PAYS, CONTACTEZ VOTRE IMPORTATEUR OU REVENDEUR BOSCH LOCAL.

GARANTIA LIMITADA PARA HERRAMIENTAS MECANICAS PORTATILES Y PARA TABLERO DE BANCO BOSCH

Robert Bosch Tool Corporation ("el Vendedor") garantiza, únicamente al comprador original, que todas las herramientas mecánicas portátiles y para tablero de banco BOSCH estarán libres de defectos de material o de fabricación durante un periodo de un año a partir de la fecha de compra. LA ÚNICA OBLIGACION DEL VENDEDOR Y EL RECURSO EXCLUSIVO QUE USTED TIENE bajo esta Garantía Limitada y, hasta donde la ley lo permita, bajo cualquier garantía o condición implícita por ley, consistirá en la reparación o sustitución sin costo de las piezas que presenten defectos de material o de fabricación y que no hayan sido utilizadas incorrectamente, manejadas descuidadamente o reparadas incorrectamente por personas que no sean el Vendedor o una Estación de servicio autorizada. Para efectuar una reclamación bajo esta Garantía Limitada, usted debe devolver el producto, que consiste en la herramienta mecánica portátil o para tablero de banco completa, con el transporte pagado, a cualquier Centro de servicio de fábrica o Estación de servicio autorizada. Para Estaciones de servicio autorizadas de herramientas mecánicas BOSCH, por favor, consulte el directorio telefónico.

ESTA GARANTIA LIMITADA NO SE APLICA A ARTICULOS ACCESORIOS TALES COMO HOJAS PARA SIERRAS CIRCULARES, BROCAS PARA TALADROS, BROCAS PARA FRESADORAS, HOJAS PARA SIERRAS DE VAIVEN, CORREAS PARA LIJAR, RUEDAS DE AMOLAR Y OTROS ARTICULOS RELACIONADOS.

TODAS LAS GARANTIAS IMPLICITAS TENDRAN UNA DURACION LIMITADA A UN AÑO A PARTIR DE LA FECHA DE COMPRA. ALGUNOS ESTADOS DE LOS EE.UU. Y ALGUNAS PROVINCIAS CANADIENSES NO PERMITEN LIMITACIONES EN CUANTO A LA DURACION DE UNA GARANTIA IMPLICITA, POR LO QUE ES POSIBLE QUE LA LIMITACION ANTERIOR NO SEA APLICABLE EN EL CASO DE USTED.

EL VENDEDOR NO SERA RESPONSABLE EN NINGUN CASO DE NINGUN DAÑO INCIDENTAL O EMERGENTE (INCLUYENDO PERO NO LIMITADO A RESPONSABILIDAD POR PERDIDA DE BENEFICIOS) QUE SE PRODUZCA COMO CONSECUENCIA DE LA VENTA O UTILIZACION DE ESTE PRODUCTO. ALGUNOS ESTADOS DE LOS EE.UU. Y ALGUNAS PROVINCIAS CANADIENSES NO PERMITEN LA EXCLUSION O LIMITACION DE LOS DAÑOS INCIDENTALES O EMERGENTES, POR LO QUE ES POSIBLE QUE LA LIMITACION O EXCLUSION ANTERIOR NO SEA APLICABLE EN EL CASO DE USTED.

ESTA GARANTIA LIMITADA LE CONFIERE A USTED DERECHOS LEGALES ESPECIFICOS Y ES POSIBLE QUE USTED TAMBIEN TENGA OTROS DERECHOS QUE VARIAN DE ESTADO A ESTADO EN LOS EE.UU., DE PROVINCIA A PROVINCIA EN CANADA Y DE UN PAIS A OTRO.

ESTA GARANTIA LIMITADA SE APLICA SOLAMENTE A HERRAMIENTAS ELECTRICAS PORTATILES Y PARA TABLERO DE BANCO VENDIDAS EN LOS ESTADOS UNIDOS DE AMERICA, CANADA Y EL ESTADO LIBRE ASOCIADO DE PUERTO RICO. PARA COBERTURA DE GARANTIA EN OTROS PAISES, PONGASE EN CONTACTO CON SU DISTRIBUIDOR O IMPORTADOR LOCAL DE BOSCH.

© Robert Bosch Tool Corporation 1800 W. Central Road Mt. Prospect, IL 60056 -2230

Exportado por: Robert Bosch Tool Corporation Mt. Prospect, IL 60056 -2230, E.U.A.

Importado en México por: Robert Bosch, S.A. de C.V., Calle Robert Bosch No. 405, Zona Industrial, Toluca, Edo. de México, C.P. 50070, Tel. (722) 2792300

2610917368 9/04

Printed in U.S.A

Free Manuals Download Website

<http://myh66.com>

<http://usermanuals.us>

<http://www.somanuals.com>

<http://www.4manuals.cc>

<http://www.manual-lib.com>

<http://www.404manual.com>

<http://www.luxmanual.com>

<http://aubethermostatmanual.com>

Golf course search by state

<http://golfingnear.com>

Email search by domain

<http://emailbydomain.com>

Auto manuals search

<http://auto.somanuals.com>

TV manuals search

<http://tv.somanuals.com>