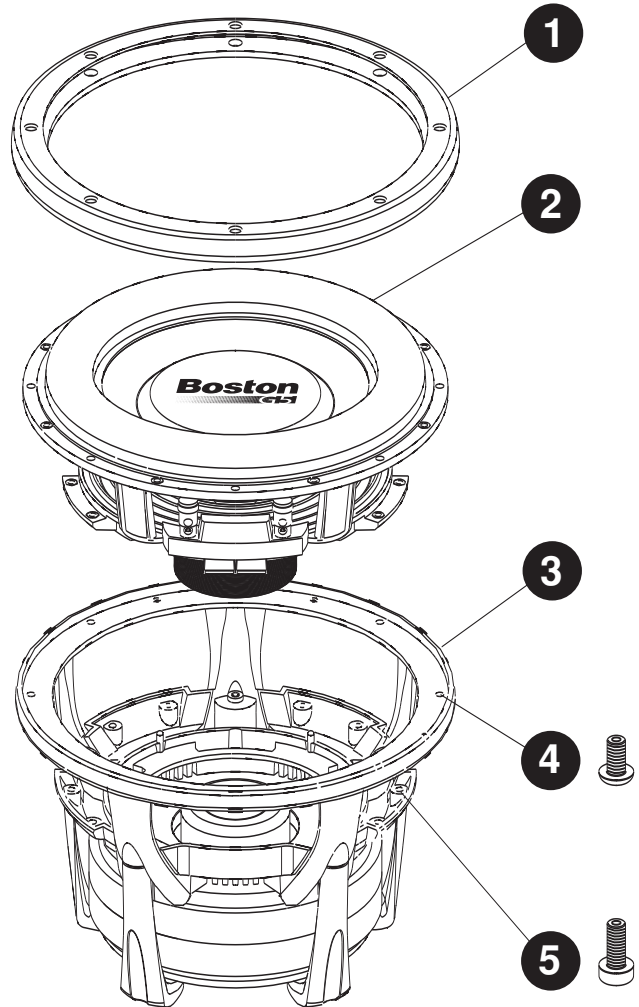


### G512 Part List:

1. Speaker Gasket
2. SPS Assembly
3. G5 Basket Assembly
4. Top Screw x 8
5. Bottom Screw x 10

### G510 Part List:

1. Speaker Gasket
2. SPS Assembly
3. G5 Basket Assembly
4. Top Screw x 8
5. Bottom Screw x 8



### SPS™ Assembly Installation Instructions

1. Install the SPS™ assembly into the basket. The basket and frame are notched to prevent the SPS™ assembly from being installed incorrectly. Make sure the SPS™ assembly mounts firmly into the frame with the speaker terminals located in the correct location.
2. Install the top screws that secure the SPS™ assembly to the basket. Eight top screws secure the SPS™ assembly to the top of the frame (mounting flange) and 10 bottom screws (G512) and 8 bottom screws (G510) secure the SPS™ assembly to the frame (top plate/spider).
3. Install the integral gasket.

**Warning:** If disassembling the G5 for customization; where the SPS™ will be reused, store the SPS™ assembly in a safe location with the voice coil facing up and protected; damage to the voice coil, even minor damage, can ruin the SPS™ assembly.

### SPS™ Assembly Removal Instructions

1. Remove the integral gasket.
2. Remove the top screws that secure the SPS™ assembly to the basket. Eight top screws secure the SPS™ assembly to the top of the frame (mounting flange) and 10 bottom screws (G512) and 8 bottom screws (G510) secure the SPS™ assembly to the frame (top plate/spider).
3. Once all the screws are removed, the SPS™ assembly will slide out of the basket. Use care when removing the SPS™ assembly from the basket.

**Boston Acoustics, Inc. 300 Jubilee Drive, Peabody, MA 01960 USA**  
T: 978.538.5000 F: 978.538.5100 W: [bostonacoustics.com](http://bostonacoustics.com)

SPS, is a trademark and Boston, Boston Acoustics, and the Boston Acoustics logo are registered trademarks of Boston Acoustics, Inc. Specifications are subject to change without notice.  
All rights reserved. Covered by patents issued and/or pending.  
© 2004 Boston Acoustics, Inc.

042-002216-0

## Free Manuals Download Website

<http://myh66.com>

<http://usermanuals.us>

<http://www.somanuals.com>

<http://www.4manuals.cc>

<http://www.manual-lib.com>

<http://www.404manual.com>

<http://www.luxmanual.com>

<http://aubethermostatmanual.com>

Golf course search by state

<http://golfingnear.com>

Email search by domain

<http://emailbydomain.com>

Auto manuals search

<http://auto.somanuals.com>

TV manuals search

<http://tv.somanuals.com>