

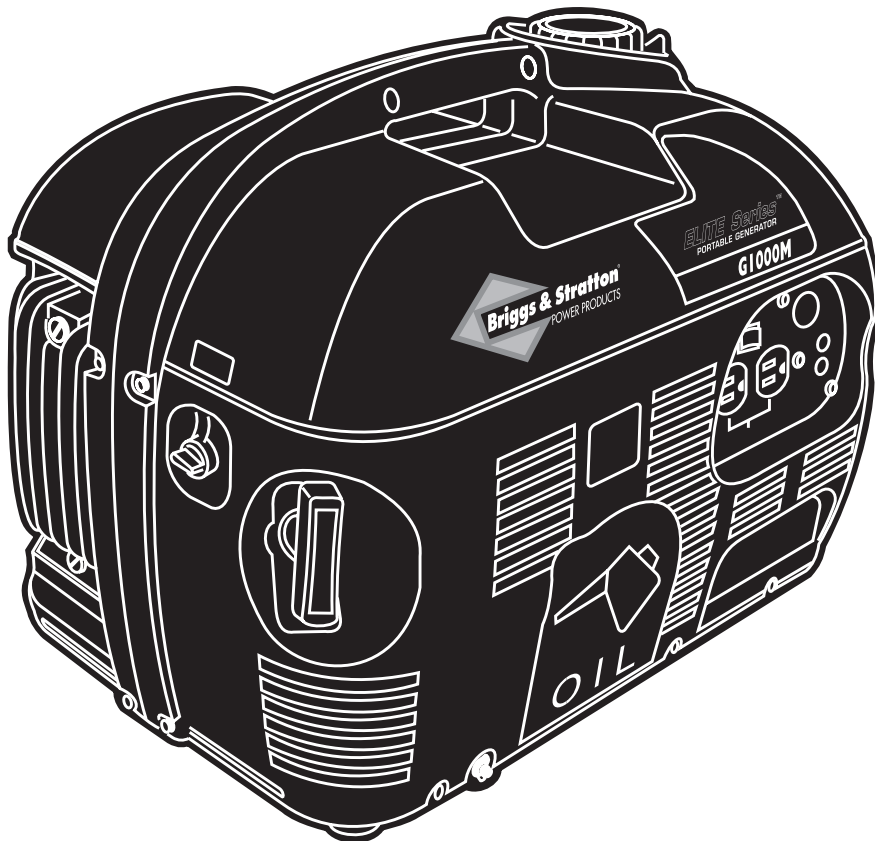


ELITE Series™

**PORTABLE GENERATOR
GÉNÉRATEUR PORTATIF
GENERADOR PORTÁTIL**

**Owner's Manual
Manuel de l'utilisateur
Manual del Propietario**

**01532-3
1000 Starting
Watts**



CAUTION

Before using this product, read this manual and follow all Safety Rules and Operating Instructions.

PRECAUCIÓN

Antes de utilizar el producto, lea este manual y siga todas las Reglas de Seguridad e Instrucciones de Uso.

ATTENTION

Avant d'utiliser ce produit, veuillez lire le manuel et suivre toutes les directives relatives à la sécurité et à l'utilisation.

Questions? Help is just a moment away!

Vous avez des questions? Vous n'avez pas besoin d'aller loin pour trouver de l'aide!

Preguntas? La ayuda es justa un momento lejos!

Call: **Generator Helpline - 1-800-743-4115** M-F 8-5 CT

Appelez: **Ligne d'assistance de Générateur - 1-800-743-4115** M-F 8-5 CT

Llamada: **Generador Helpline - 1-800-743-4115** M-F 8-5 CT

web: www.briggsandstratton.com

**BRIGGS & STRATTON POWER PRODUCTS GROUP, LLC
JEFFERSON, WISCONSIN, U.S.A.**

Manual No. 196732GS
Revision 0 (02/16/2005)



0 24847 11475 1



TABLE OF CONTENTS

Safety Rules	2-4
Know Your Generator	5
Assembly	6
Operation	7-12
Specifications	13
Maintenance	13
Storage	14
Troubleshooting	15
Notes	16
Warranty	17

EQUIPMENT DESCRIPTION

Read this manual carefully and become familiar with your generator. Know its applications, its limitations and any hazards involved.

The generators are an engine-driven, revolving field, alternating current (AC) generator. It was designed to supply electrical power for operating compatible electrical lighting, appliances, tools and motor loads. The generator's revolving field is driven at about 3,600 rpm by a single-cylinder engine.

CAUTION! DO NOT exceed the generator's wattage/ampere capacity. See "Don't Overload Generator".

Every effort has been made to ensure that information in this manual is accurate and current. However, we reserve the right to change, alter or otherwise improve the product and this document at any time without prior notice.

The Emission Control System for this generator is warranted for standards set by the Environmental Protection Agency. For warranty information refer to the engine owner's manual.

Copyright © 2005 Briggs & Stratton Power Products Group, LLC. All rights reserved. No part of this material may be reproduced or transmitted in any form by any means without the express written permission of Briggs & Stratton Power Products Group, LLC.

SAFETY RULES











This is the safety alert symbol. It is used to alert you to potential personal injury hazards. Obey all safety messages that follow this symbol to avoid possible injury or death.

The safety alert symbol () is used with a signal word (DANGER, CAUTION, WARNING), a pictorial and/or a safety message to alert you to hazards. **DANGER** indicates a hazard which, if not avoided, *will* result in death or serious injury. **WARNING** indicates a hazard which, if not avoided, *could* result in death or serious injury. **CAUTION** indicates a hazard which, if not avoided, *might* result in minor or moderate injury. **CAUTION**, when used **without** the alert symbol, indicates a situation that could result in equipment damage. Follow safety messages to avoid or reduce the risk of injury or death.

WARNING

The engine exhaust from this product contains chemicals known to the State of California to cause cancer, birth defects, or other reproductive harm.

Hazard Symbols and Meanings

		
Electrocution	Electrical Shock	Electrical Shock
		
Toxic Fumes	Explosion	Fire
		
Explosive Pressure	Chemical Burn	
		
Hot Surface	Kickback	



900W Generator



WARNING



Running generator gives off carbon monoxide, an odorless, colorless, poison gas.

Breathing carbon monoxide will cause nausea, fainting or death.

- Operate generator **ONLY** outdoors.
- Keep exhaust gas from entering a confined area through windows, doors, ventilation intakes or other openings.
- **DO NOT** operate generator inside any building or enclosure, including the generator compartment of a recreational vehicle (RV).

WARNING



Generator produces powerful voltage.

Failure to isolate generator from power utility can result in death or injury to electric utility workers due to backfeed of electrical energy.

- When using generator for backup power, notify utility company. Use approved transfer equipment to isolate generator from electric utility.
- **DO NOT** touch bare wires or receptacles.
- **DO NOT** use generator with electrical cords which are worn, frayed, bare or otherwise damaged.
- **DO NOT** operate generator in the rain.
- **DO NOT** handle generator or electrical cords while standing in water, while barefoot, or while hands or feet are wet.
- **DO NOT** allow unqualified persons or children to operate or service generator.

WARNING



Storage batteries give off explosive hydrogen gas during recharging.

Hydrogen gas stays near battery for a long time after battery has been charged.

Slightest spark will ignite hydrogen and cause explosion.

You can be blinded or severely injured.



Battery electrolyte fluid contains acid and is extremely caustic.

Contact with battery fluid will cause severe chemical burns.

- **DO NOT** allow any open flame, spark, heat, or lit cigarette during and for several minutes after charging a battery.
- Wear protective goggles, rubber apron, and rubber gloves.

WARNING



Fuel and its vapors are extremely flammable and explosive.



Fire or explosion can cause severe burns or death.

WHEN ADDING OR DRAINING FUEL

- Turn generator **OFF** and let it cool at least 2 minutes before removing fuel cap. Loosen cap slowly to relieve pressure in tank.
- Fill or drain fuel tank outdoors.
- **DO NOT** overfill tank. Allow space for fuel expansion.
- Keep fuel away from sparks, open flames, pilot lights, heat, and other ignition sources.
- **DO NOT** light a cigarette or smoke.

WHEN STARTING EQUIPMENT

- Ensure spark plug, muffler, fuel cap and air cleaner are in place.
- **DO NOT** crank engine with spark plug removed.
- If fuel spills, wait until it evaporates before starting engine.

WHEN OPERATING EQUIPMENT

- Do not tip engine or equipment at angle which causes fuel to spill.
- This generator is not for use in mobile equipment or marine applications.

WHEN TRANSPORTING OR REPAIRING EQUIPMENT

- Transport/repair with fuel tank **EMPTY** or with fuel shutoff valve **OFF**.
- Disconnect spark plug wire.

WHEN STORING FUEL OR EQUIPMENT WITH FUEL IN TANK


- Store away from furnaces, stoves, water heaters, clothes dryers or other appliances that have pilot light or other ignition source because they can ignite fuel vapors.

WARNING

- This generator does not meet U. S. Coast Guard Regulation 33CFR-183 and should not be used on marine applications.
- Failure to use the appropriate U. S. Coast Guard approved generator could result in bodily injury and/or property damage.





WARNING

 Rapid retraction of starter cord (kickback) will pull hand and arm toward engine faster than you can let go. Broken bones, fractures, bruises or sprains could result.

- When starting engine, pull cord slowly until resistance is felt and then pull rapidly to avoid kickback.
- NEVER start or stop engine with electrical devices plugged in and turned on.


WARNING


 Running engines produce heat. Temperature of muffler and nearby areas can reach or exceed 150°F (65°C).

 Severe burns can occur on contact. Combustible debris, such as leaves, grass, brush, etc. can catch fire.

- DO NOT touch hot surfaces.
- Allow equipment to cool before touching.
- The generator must be at least 5 feet from structures having combustible walls and/or other combustible materials.
- Keep at least 3 feet of clearance on all sides of generator for adequate cooling, maintenance and servicing.
- In the State of California a spark arrester is required by law (Section 4442 of the California Public Resources Code). Other states may have similar laws. Federal laws apply on federal lands. If you equip the muffler with a spark arrester, it must be maintained in effective working order.

WARNING

 Unintentional sparking can result in fire or electric shock.



WHEN ADJUSTING OR MAKING REPAIRS TO YOUR GENERATOR

- Disconnect the spark plug wire from the spark plug and place the wire where it cannot contact spark plug.

WHEN TESTING FOR ENGINE SPARK

- Use approved spark plug tester.
- DO NOT check for spark with spark plug removed.

CAUTION

Excessively high operating speeds increase risk of injury and damage to generator. Excessively low speeds impose a heavy load.

- DO NOT tamper with governed speed. Generator supplies correct rated frequency and voltage when running at governed speed.
- DO NOT modify generator in any way.

CAUTION

Exceeding generators wattage/amperage capacity can damage generator and/or electrical devices connected to it.

- See “Don’t Overload Generator”.
- Start generator and let engine stabilize before connecting electrical loads.
- Connect electrical loads in OFF position, then turn ON for operation.
- Turn electrical loads OFF and disconnect from generator before stopping generator.

CAUTION

Improper treatment of generator can damage it and shorten its life.

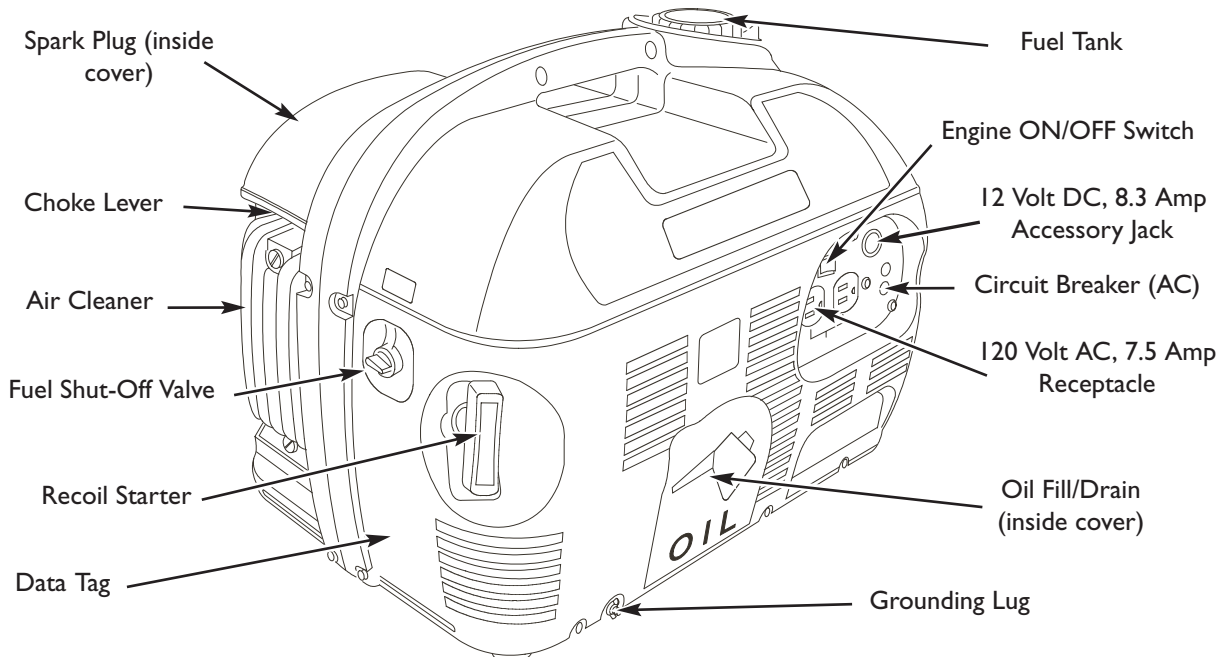
- Use generator only for intended uses.
- If you have questions about intended use, ask dealer or contact your nearest authorized service center.
- Operate generator only on level surfaces.
- DO NOT expose generator to excessive moisture, dust, dirt, or corrosive vapors.
- DO NOT insert any objects through cooling slots.
- If connected devices overheat, turn them off and disconnect them from generator.
- Shut off generator if:
 - electrical output is lost;
 - equipment sparks, smokes, or emits flames;
 - unit vibrates excessively.



KNOW YOUR GENERATOR

Read this owner's manual and safety rules before operating your generator.

Compare the illustrations with your generator to familiarize yourself with the locations of various controls and adjustments. Save this manual for future reference.



12 Volt DC, 8.3 Amp Accessory Jack — May be used to power 12 Volt DC electrical devices or recharge 12 Volt DC batteries.

120 Volt AC, 7.5 Amp Receptacles — May be used to supply electrical power for the operation of 120 Volt AC, single phase, 60 Hz electrical lighting, appliance, tool and motor loads.

Air Cleaner — Protects engine by filtering dust and debris out of intake air.

Choke Lever — Used to manually provide proper starting mixture when engine is cold.

Circuit Breaker (AC) — Receptacles are provided with a push-to-reset circuit breaker to protect the generator against electrical overload.

Data Tag — Provides model, revision and serial number of generator. Please have these readily available if calling for assistance.

Engine ON/OFF Switch — Used to stop a running engine.

Fuel Shut-Off Valve — Use this valve to turn the fuel supply on and off.

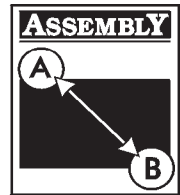
Fuel Tank — Capacity of 1.2 U.S. gallons (4.5 liters) of fuel.

Grounding Lug — Use this connection to properly ground the generator. See "System Ground" on page 7.

Oil Fill/Drain — Access to oil fill dipstick and engine oil drain plug.

Recoil Starter — Used for starting the engine.

Spark Plug — Access to engine spark plug.



ASSEMBLY

Your generator requires some assembly and is ready for use after it has been properly serviced with the recommended oil and fuel.

If you have any problems with the assembly of your generator, please call the generator helpline at **1-800-743-4115**. If calling for assistance, please have the model, revision, and serial number from the data tag available.

Remove Generator From Carton

1. Set carton on a rigid flat surface with “This Side Up” arrows pointing upward.
2. Carefully open top flaps of shipping carton.
3. Cut down corners at one end of carton from top to bottom and lay that side of carton down flat.
4. Remove all packing material, carton fillers, etc.
5. Remove generator from shipping carton.

Carton Contents

Check all contents. If any parts are missing or damaged, call the generator helpline at **1-800-743-4115**. Shipped with your generator is:

- Main unit
- Owners manual
- Engine manual
- Battery charge cables
- Oil bottle

BEFORE STARTING ENGINE

Add Engine Oil and Fuel

- Place generator on a level surface.

CAUTION

Any attempt to crank or start the engine before it has been properly filled with the recommended oil will result in equipment failure.

- Refer to engine manual for oil and fuel fill information.
- Damage to equipment resulting from failure to follow this instruction will void warranty.

- Refer to engine owner’s manual and follow oil and fuel recommendations and instructions.

NOTE: Check oil often during engine break-in. Refer to engine owner’s manual for recommendations.

NOTE: The generator assembly rotates on a prelubricated and sealed ball bearing that requires no additional lubrication for the life of the bearing.



USING THE GENERATOR

System Ground

The generator has a system ground that connects the generator frame components to the ground terminals on the AC output receptacles. The system ground is not connected to the AC neutral wire. If the generator is tested by a receptacle tester, it will not show the same ground circuit condition as for a home receptacle.

Special Requirements

There may be Federal or State Occupational Safety and Health Administration (OSHA) regulations, local codes, or ordinances that apply to the intended use of the generator. Please consult a qualified electrician, electrical inspector, or the local agency having jurisdiction.

- In some areas, generators are required to be registered with local utility companies.
- If the generator is used at a construction site, there may be additional regulations which must be observed.

Connecting to a Building's Electrical System

Connections for standby power to a building's electrical system must be made by a qualified electrician. The connection must isolate the generator power from utility power, and must comply with all applicable laws and electrical codes.

WARNING



Generator produces powerful voltage. Failure to isolate generator from power utility can result in death or injury to electric utility workers due to backfeed of electrical energy.

- When using generator for backup power, notify utility company. Use approved transfer equipment to isolate generator from electric utility.
- DO NOT touch bare wires or receptacles.
- DO NOT use generator with electrical cords which are worn, frayed, bare or otherwise damaged.
- DO NOT operate generator in the rain.
- DO NOT handle generator or electrical cords while standing in water, while barefoot, or while hands or feet are wet.
- DO NOT allow unqualified persons or children to operate or service generator.

Generator Location

Generator Clearance

WARNING



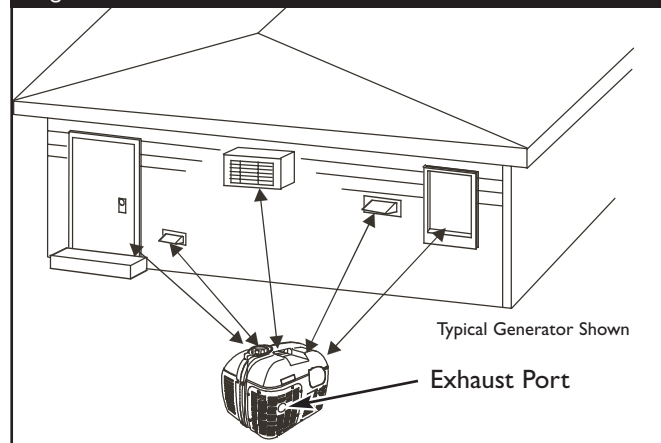
Running generator gives off carbon monoxide, an odorless, colorless, poison gas. Breathing carbon monoxide will cause nausea, fainting or death.

- Operate generator **ONLY** outdoors.
- Keep exhaust gas from entering a confined area through windows, doors, ventilation intakes or other openings.
- **DO NOT** operate generator inside any building or enclosure, including the generator compartment of a recreational vehicle (RV).

The generator must be at least 5 ft. (152 cm) from structures having combustible walls and/or other combustible materials. Leave at least 3 ft. (92 cm) all around generator including overhead, for adequate cooling, maintenance and servicing.

Place generator in a well ventilated area, which will allow for removal of deadly exhaust gas. **DO NOT** place generator where exhaust gas could accumulate and enter inside or be drawn into a potentially occupied building. Ensure exhaust gas is kept away from any windows, doors, ventilation intakes or other openings that can allow exhaust gas to collect in a confined area (Figure 1). Prevailing winds and air currents should be taken into consideration when positioning generator.

Figure 1 — Generator Clearance





OPERATING THE GENERATOR

CAUTION

Exceeding generators wattage/amperage capacity can damage generator and/or electrical devices connected to it.

- See “Don’t Overload Generator”.
- Start generator and let engine stabilize before connecting electrical loads.
- Connect electrical loads in OFF position, then turn ON for operation.
- Turn electrical loads OFF and disconnect from generator before stopping generator.

Starting the Engine

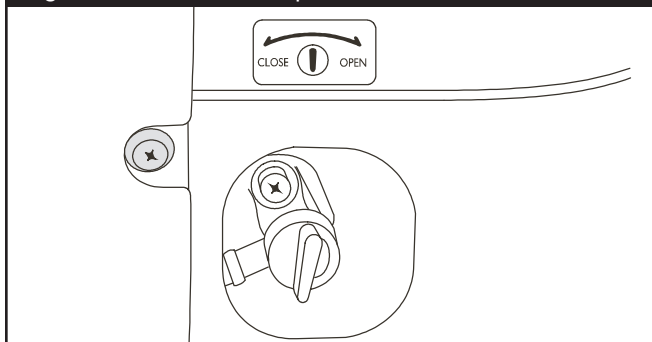
Disconnect all electrical loads from the generator. Use the following start instructions:

1. Make sure unit is on a level surface.

IMPORTANT: Failure to start and operate unit on a level surface will cause the unit not to start or shut down during operation.

2. Turn the fuel valve to the “On” position (Figure 2). The fuel valve handle should be vertical (pointing toward the ground) for fuel to flow.

Figure 2 — Fuel Valve in Open Position



3. Start engine according to instructions given in the engine owner’s manual.

NOTE: If engine starts after 3 pulls but fails to run, or if unit shuts down during operation, make sure unit is on a level surface and check for proper oil level in crankcase. This unit may be equipped with a low oil protection device. See engine manual.

WARNING



Rapid retraction of starter cord (kickback) will pull hand and arm toward engine faster than you can let go.

Broken bones, fractures, bruises or sprains could result.

- When starting engine, pull cord slowly until resistance is felt and then pull rapidly to avoid kickback.
- NEVER start or stop engine with electrical devices plugged in and turned on.

WARNING



Running engines produce heat. Temperature of muffler and nearby areas can reach or exceed 150°F (65°C).



Severe burns can occur on contact.

Combustible debris, such as leaves, grass, brush, ect. can catch fire.

- DO NOT touch hot surfaces.
- Allow equipment to cool before touching.
- The generator must be at least 5 feet from structures having combustible walls and/or other combustible materials.
- Keep at least 3 feet of clearance on all sides of generator for adequate cooling, maintenance and servicing.
- In the State of California a spark arrester is required by law (Section 4442 of the California Public Resources Code). Other states may have similar laws. Federal laws apply on federal lands. If you equip the muffler with a spark arrester, it must be maintained in effective working order.

Connecting Electrical Loads

- Let engine stabilize and warm up for a few minutes after starting.
- Plug in and turn on the desired 120 Volt AC, single phase, 60 Hz electrical loads.
- DO NOT connect 240 Volt loads to the 120 Volt duplex receptacles.
- DO NOT connect 3-phase loads to the generator.
- DO NOT connect 50 Hz loads to the generator.
- **DO NOT OVERLOAD THE GENERATOR.** See “Don’t Overload Generator”.



Stopping the Engine

1. Turn **OFF** and unplug **all** electrical loads from generator panel receptacles. NEVER start or stop engine with electrical devices plugged in and turned **ON**.
2. Let engine run at no-load for several minutes to stabilize internal temperatures of engine and generator.
3. Turn engine off according to instructions given in the engine owner's manual.
4. Move fuel valve to "Off" position.

Charging a Battery

Your generator has the capability of recharging a discharged 12 Volt automotive or utility style storage battery. DO NOT use the unit to charge any 6 Volt batteries. DO NOT use the unit to crank an engine having a discharged battery.

! WARNING



Storage batteries give off explosive hydrogen gas during recharging.

Hydrogen gas stays near battery for a long time after battery has been charged.

Slightest spark will ignite hydrogen and cause explosion.

You can be blinded or severely injured.



Battery electrolyte fluid contains acid and is extremely caustic.

Contact with battery fluid will cause severe chemical burns.

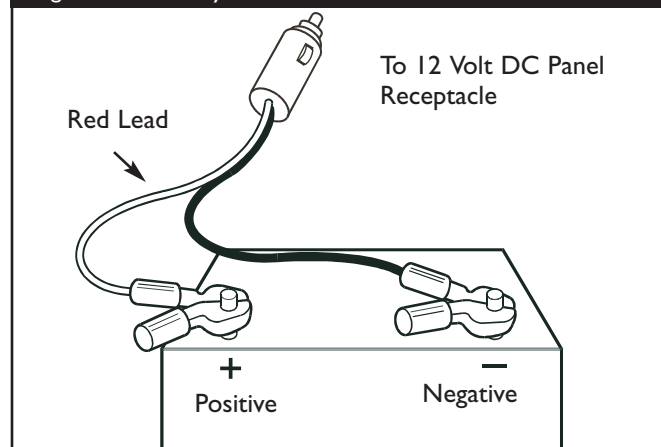
- DO NOT allow any open flame, spark, heat, or lit cigarette during and for several minutes after charging a battery.
- Wear protective goggles, rubber apron, and rubber gloves.

To recharge 12 Volt batteries, proceed as follows:

1. If necessary, clean battery posts or terminals.
2. Check fluid level in all battery cells. If necessary, add **ONLY** distilled water to cover separators in battery cells. **DO NOT** use tap water.

3. If the battery is equipped with vent caps, make sure they are installed and are tight.
4. Connect battery charge cable connector plug to the 12 Volt DC panel receptacle.
5. Connect battery charge cable clamp with **red** handle to battery post or terminal indicated by **Positive**, **POS** or **(+)** (Figure 3).

Figure 3 — Battery Connections



6. Connect battery charge cable clamp with **black** handle to battery post or terminal indicated by **Negative**, **NEG**, or **(-)** (Figure 3).
7. Start generator. Let the engine run while battery recharges.
8. When battery has charged, shut down engine (see "Stopping The Engine")

NOTE: Use an automotive hydrometer to test battery state of charge and condition. Follow the hydrometer manufacturer's instructions carefully. Generally, a battery is considered to be at 100% state of charge when specific gravity of its fluid (as measured by hydrometer) is 1.260 or higher.

CONNECTOR PLUGS

CAUTION

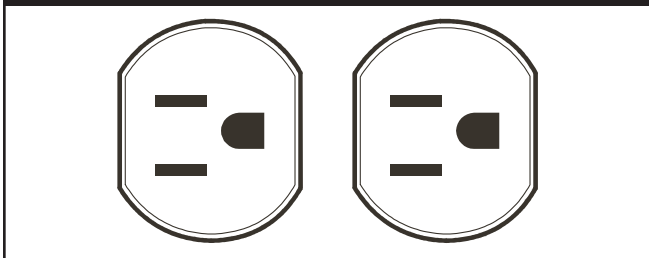
Receptacles may be marked with rating value greater than generator output capacity.

- NEVER attempt to power a device requiring more amperage than generator or receptacle can supply.
- DO NOT overload the generator. See “Don’t Overload Generator”.

120 Volt AC, 15 Amp Receptacle

Each outlet socket is protected against overload by a 7.5 Amp push-to-reset circuit breaker. Use each receptacle to operate 120 Volt AC, single phase, 60 Hz electrical loads requiring up to 1,000 watts (1.0 kW) of power (Figure 4).

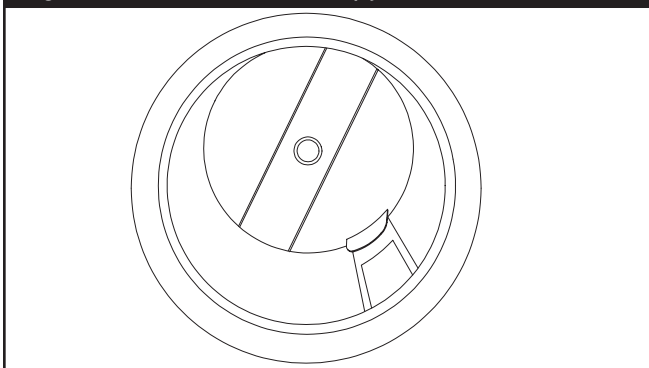
Figure 4 — 120 Volt AC, 15 Amp Duplex Receptacle



12 Volt DC Accessory Jack

This receptacle allows you to recharge a 12 Volt automotive or utility style storage battery with the battery charge cable provided. Camping-style air pumps, lanterns, fans, or other 12 Volt devices having a cigarette lighter-type plug may also be powered by this outlet (Figure 5).

Figure 5 — 12 Volt DC Accessory Jack



This receptacle can not recharge 6 Volt batteries and can not be used to crank an engine having a discharged battery. See “Charging a Battery” (page 9) before attempting to recharge a battery.

EXTENSION CORDS

Use only high quality, well-insulated, extension cords with the generator’s 120 Volt electrical receptacles.

Check the ratings of all extension cords before you use them. Such cords should be rated for 125 Volt AC loads at 15 Amps (or greater) for most electrical devices. Some devices, however, may not require this type of extension cord. Check the owner’s manuals of those devices for their recommendations.

Keep extension cords as short as possible, preferably less than 15 feet long, to prevent voltage drop and possible overheating of wires.

COLD WEATHER OPERATION

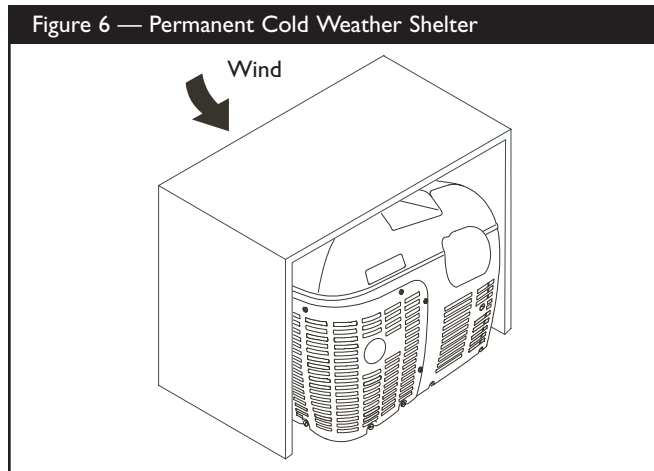
Under certain weather conditions (temperatures below 40°F [4°C] combined with high humidity), your generator may experience icing of the carburetor and/or the crankcase breather system. To reduce this problem, you need to perform the following:

1. Make sure generator has clean, fresh fuel.
2. Open fuel valve (turn valve to open position).
3. Use SAE 5W-30 oil (synthetic preferred, see engine manual).
4. Check oil level daily or after every eight (8) hours of operation.
5. Maintain generator following “Maintenance Schedule” in engine manual.
6. Shelter unit from elements.






In an emergency, use the original shipping carton as a temporary shelter:

- Cut off all carton flaps.
- Cut out one long side of carton to expose muffler side of unit as shown in Figure 6.



IMPORTANT: The generator must be at least 5 ft. (152 cm) from structures having combustible walls and/or other combustible materials. Leave at least 3 ft. (92 cm) all around generator including overhead, for adequate cooling, maintenance and servicing.

 WARNING	
	Running engines produce heat. Temperature of muffler and nearby areas can reach or exceed 150°F (65°C).
	Severe burns can occur on contact. Combustible debris, such as leaves, grass, brush, ect. can catch fire.
<ul style="list-style-type: none">DO NOT touch hot surfaces.Allow equipment to cool before touching.The generator must be at least 5 feet from structures having combustible walls and/or other combustible materials.Keep at least 3 feet of clearance on all sides of generator for adequate cooling, maintenance and servicing.Remove shelter when temperatures are above 40°F [4°C].	

- Cut appropriate slots to access receptacles of unit.
- Start unit, then place carton over it.



NOTE: Remove shelter when temperatures are above 40°F [4°C].

For a more permanent shelter, build a structure that will enclose three sides and the top of the generator.

- Make sure entire muffler-side of generator is exposed, as shown in Figure 6.

IMPORTANT: The generator must be at least 5 ft. (152 cm) from structures having combustible walls and/or other combustible materials. Leave at least 3 ft. (92 cm) all around generator including overhead, for adequate cooling, maintenance and servicing.

- Face exposed end away from wind and elements.
- Structure should hold enough heat created by the generator to prevent icing problem.
- Start and run engine outdoors.
- Keep exhaust gas from entering a confined area through windows, doors, ventilation intakes or other openings.

 WARNING	
	Running generator gives off carbon monoxide, an odorless, colorless, poison gas. Breathing carbon monoxide will cause nausea, fainting or death.
<ul style="list-style-type: none">Operate generator ONLY outdoors.Keep exhaust gas from entering a confined area through windows, doors, ventilation intakes or other openings.DO NOT operate generator inside any building or enclosure, including the generator compartment of a recreational vehicle (RV).	

- DO NOT enclose generator any more than shown in Figure 6.
- Remove shelter when temperatures are above 40°F [4°C].
- Turn engine OFF and let cool two (2) minutes before refueling.



DON'T OVERLOAD GENERATOR

Capacity

You must make sure your generator can supply enough rated (running) and surge (starting) watts for the items you will power at the same time. Follow these simple steps:

1. Select the items you will power at the same time.
2. Total the rated (running) watts of these items. This is the amount of power your generator must produce to keep your items running. See Figure 7.
3. Estimate how many surge (starting) watts you will need. Surge wattage is the short burst of power needed to start electric motor-driven tools or appliances such as a circular saw or refrigerator. Because not all motors start at the same time, total surge watts can be estimated by adding only the item(s) with the highest additional surge watts to the total rated watts from step 2.

Example:

Tool or Appliance	Rated (Running) Watts	Additional Surge (Starting) Watts
Window Air Conditioner	1200	1800
Refrigerator	800	1600
Deep Freezer	500	500
Television	500	-
Light (75 Watts)	75	-
	3075 Total Running Watts	1800 Highest Surge Watts

Total Rated (Running) Watts = 3075
 Highest Additional Surge Watts = 1800
 Total Generator Output Required = 4875

Power Management

To prolong the life of your generator and attached devices, it is important to take care when adding electrical loads to your generator. There should be nothing connected to the generator outlets before starting its engine. The correct and safe way to manage generator power is to sequentially add loads as follows:

1. With nothing connected to the generator, start the engine as described in this manual.
2. Plug in and turn on the first load, preferably the largest load you have.
3. Permit the generator output to stabilize (engine runs smoothly and attached device operates properly).

4. Plug in and turn on the next load.
5. Again, permit the generator to stabilize.
6. Repeat steps 4 and 5 for each additional load.

NEVER add more loads than the generator capacity. Take special care to consider surge loads in generator capacity, as described above.

Figure 7 - Wattage Reference Chart

Tool or Appliance	Rated* (Running) Watts	Additional Surge (Starting) Watts
Essentials		
Light Bulb - 75 watt	75	-
Deep Freezer	500	500
Sump Pump	800	1200
Refrigerator/Freezer - 18 Cu. Ft.	800	1600
Water Well Pump - 1/3 HP	1000	2000
Heating/Cooling		
Window AC - 10,000 BTU	1200	1800
Window Fan	300	600
Furnace Fan Blower - 1/2 HP	800	1300
Kitchen		
Microwave Oven - 1000 Watt	1000	-
Coffee Maker	1500	-
Electric Stove - Single Element	1500	-
Hot Plate	2500	-
Family Room		
DVD/CD Player	100	-
VCR	100	-
Stereo Receiver	450	-
Color Television - 27"	500	-
Personal Computer w/17" monitor	800	-
Other		
Security System	180	-
AM/FM Clock Radio	300	-
Garage Door Opener - 1/2 HP	480	520
Electric Water Heater - 40 Gallon	4000	-
DIY/Job Site		
Quartz Halogen Work Light	1000	-
Airless Sprayer - 1/3 HP	600	1200
Reciprocating Saw	960	960
Electric Drill - 1/2 HP	1000	1000
Circular Saw - 7 1/4"	1500	1500
Miter Saw - 10"	1800	1800
Table Planer - 6"	1800	1800
Table Saw/Radial Arm Saw - 10"	2000	2000
Air Compressor - 1-1/2 HP	2500	2500

*Wattages listed are approximate only. Check tool or appliance for actual wattage.



900W Generator



SPECIFICATIONS

Rated Surge Watts	1,000 Watts
Rated Running Watts	900 Watts
Rated Maximum Current	
At 120 Volts AC	.75 Amps
At 12 Volts DC	.83 Amps
Phase	Single Phase
Rated Frequency	60 Hertz
Packaged Weight	.61 lbs.

GENERAL MAINTENANCE RECOMMENDATIONS

The Owner/Operator is responsible for making sure that all periodic maintenance tasks are completed on a timely basis; that all discrepancies are corrected; and that the unit is kept clean and properly stored. **NEVER operate a damaged or defective generator.**

NOTE: Should you have questions about replacing components on your Briggs & Stratton Power Products generator, please call **1-800-743-4115** for assistance.

Engine Maintenance

See engine owner's manual for instructions.

	CAUTION
Avoid prolonged or repeated skin contact with used motor oil.	
<ul style="list-style-type: none"> Used motor oil has been shown to cause skin cancer in certain laboratory animals. Thoroughly wash exposed areas with soap and water. 	



KEEP OUT OF REACH OF CHILDREN. DON'T POLLUTE. CONSERVE RESOURCES. RETURN USED OIL TO COLLECTION CENTERS.

Generator Maintenance

Generator maintenance consists of keeping the unit clean and dry. Operate and store the unit in a clean dry environment where it will not be exposed to excessive dust, dirt, moisture or any corrosive vapors. Cooling air slots in the generator must not become clogged with snow, leaves or any other foreign material.

NOTE: DO NOT use a garden hose to clean generator. Water can enter engine fuel system and cause problems. In addition, if water enters generator through cooling air slots, some of the water will be retained in voids and cracks of the rotor and stator winding insulation. Water and dirt buildup on the generator internal windings will eventually decrease the insulation resistance of these windings.

		WARNING
	Unintentional sparking can result in fire or electric shock.	
WHEN ADJUSTING OR MAKING REPAIRS TO YOUR GENERATOR		
<ul style="list-style-type: none"> Disconnect the spark plug wire from the spark plug and place the wire where it cannot contact spark plug. 		
WHEN TESTING FOR ENGINE SPARK		
<ul style="list-style-type: none"> Use approved spark plug tester. DO NOT check for spark with spark plug removed. 		

Generator Cleaning

Use a damp cloth to wipe exterior surfaces clean.

		CAUTION
		Improper treatment of generator can damage it and shorten its life.
		<ul style="list-style-type: none"> DO NOT expose generator to excessive moisture, dust, dirt, or corrosive vapors. DO NOT insert any objects through cooling slots.

- Use a soft bristle brush to loosen caked on dirt or oil.
- Use a vacuum cleaner to pick up loose dirt and debris.
- Use low pressure air (not to exceed 25 psi) to blow away dirt. Inspect cooling air slots and opening on generator. These openings must be kept clean and unobstructed.



STORAGE

The generator should be started at least once every seven days and allowed to run at least 30 minutes. If this cannot be done and you must store the unit for more than 30 days, use the following guidelines to prepare it for storage.

Generator Storage

- Clean the generator as outlined in “Generator Cleaning”.
- Check that cooling air slots and openings on generator are open and unobstructed.



WARNING



Storage covers can be flammable.

- DO NOT place a storage cover over a hot generator.
- Let equipment cool for a sufficient time before placing the cover on the equipment.

Engine Storage

See engine owner’s manual for instructions.

Other Storage Tips

- To prevent gum from forming in fuel system or on essential carburetor parts, add fuel stabilizer into fuel tank and fill with fresh fuel. Run the unit for several minutes to circulate the additive through the carburetor. The unit and fuel can then be stored for up to 24 months. Fuel stabilizer can be purchased locally.
- DO NOT store fuel from one season to another unless it has been treated as described above.
- Replace fuel container if it starts to rust. Rust and/or dirt in fuel can cause problems if it's used with this unit.
- Store unit in a clean and dry area.



TROUBLESHOOTING

Problem	Cause	Correction
No AC output is available, but generator is running.	<ol style="list-style-type: none">1. One of the circuit breakers is open.2. Fault in generator.3. Poor connection or defective cord set.4. Connected device is bad.	<ol style="list-style-type: none">1. Reset circuit breaker.2. Contact Authorized service facility.3. Check and repair.4. Connect another device that is in good condition.
Generator runs good at no-load but "bogs" down" when loads are connected.	<ol style="list-style-type: none">1. Short circuit in a connected load.2. Generator is overloaded.3. Shorted generator circuit.	<ol style="list-style-type: none">1. Disconnect shorted electrical load.2. See "Don't Overload Generator".3. Contact Authorized service facility.
Generator will not start; or starts and runs rough.	Low oil level.	Fill crankcase to proper level or place generator on level surface.
Generator shuts down during operation.	<ol style="list-style-type: none">1. Out of gasoline.2. Low oil level.	<ol style="list-style-type: none">1. Fill fuel tank.2. Fill crankcase to proper level or place generator on level surface.
Generator lacks power.	Load is too high.	See "Don't Overload Generator".



NOTES

NOTES

BRIGGS & STRATTON POWER PRODUCTS GROUP, LLC EQUIPMENT OWNER WARRANTY POLICY

Effective September 1, 2004 replaces all undated Warranties and all Warranties dated before September 1, 2004

LIMITED WARRANTY

Briggs & Stratton Power Products Group, LLC will repair or replace, free of charge, any part(s) of the equipment that is defective in material or workmanship or both. Transportation charges on parts submitted for repair or replacement under this warranty must be borne by purchaser. This warranty is effective for the time periods and subject to the conditions stated below. For warranty service, find the nearest Authorized Service Dealer in our dealer locator map at www.briggspowerproducts.com.

THERE IS NO OTHER EXPRESS WARRANTY. IMPLIED WARRANTIES, INCLUDING THOSE OF MERCHANTABILITY AND FITNESS FOR A PARTICULAR PURPOSE, ARE LIMITED TO ONE YEAR FROM PURCHASE, OR TO THE EXTENT PERMITTED BY LAW ANY AND ALL IMPLIED WARRANTIES ARE EXCLUDED. LIABILITY FOR INCIDENTAL OR CONSEQUENTIAL DAMAGES ARE EXCLUDED TO THE EXTENT EXCLUSION IS PERMITTED BY LAW. Some states or countries do not allow limitations on how long an implied warranty lasts, and some states or countries do not allow the exclusion or limitation of incidental or consequential damages, so the above limitation and exclusion may not apply to you. This warranty gives you specific legal rights and you may also have other rights which vary from state to state or country to country.

OUR EQUIPMENT*

OUTBOARD MOTOR	PRESSURE WASHER	WATER PUMP (Not available in the USA)	PORTABLE GENERATOR WELDER	HOME STANDBY GENERATOR SYSTEM		
				Less than 10 KW	10 KW or greater	Transfer switch

WARRANTY PERIOD**

Consumer Use	2 years	1 year	1 year	2 years	2 years	3 years or 1500 hours	3 years
Commercial Use	none	90 days	90 days	1 year	none	none	none

* The engine and starting batteries are warranted solely by the manufacturers of those products.

** 2 years for all consumer products in the European Union. Parts only on 2nd year for consumer use of Portable Generator and Home Standby Generator System - Less than 10 KW, outside of European Union.

The warranty period begins on the date of purchase by the first retail consumer or commercial end user, and continues for the period of time stated in the table above. "Consumer use" means personal residential household use by a retail consumer. "Commercial use" means all other uses, including use for commercial, income producing or rental purposes. Once equipment has experienced commercial use, it shall thereafter be considered as commercial use for purposes of this warranty. **Equipment used for prime power in place of utility are not applicable to this warranty. Electric powered pressure washers used for commercial purposes are not warranted.**

NO WARRANTY REGISTRATION IS NECESSARY TO OBTAIN WARRANTY ON BRIGGS & STRATTON PRODUCTS. SAVE YOUR PROOF OF PURCHASE RECEIPT. IF YOU DO NOT PROVIDE PROOF OF THE INITIAL PURCHASE DATE AT THE TIME WARRANTY SERVICE IS REQUESTED, THE MANUFACTURING DATE OF THE PRODUCT WILL BE USED TO DETERMINE THE WARRANTY PERIOD.

ABOUT YOUR WARRANTY

We welcome warranty repair and apologize to you for being inconvenienced. Any Authorized Service Dealer may perform warranty repairs. Most warranty repairs are handled routinely, but sometimes requests for warranty service may not be appropriate. For example, warranty service would not apply if equipment damage occurred because of misuse, lack of routine maintenance, shipping, handling, warehousing or improper installation. Similarly, the warranty is void if the manufacturing date or the serial number on the equipment has been removed or the equipment has been altered or modified. During the warranty period, the Authorized Service Dealer, at its option, will repair or replace any part that, upon examination, is found to be defective under normal use and service. This warranty will not cover the following repairs and equipment:

- **Normal Wear:** Outdoor Power Equipment, like all mechanical devices, needs periodic parts and service to perform well. This warranty does not cover repair when normal use has exhausted the life of a part or the equipment.
- **Installation and Maintenance:** This warranty does not apply to equipment or parts that have been subjected to improper or unauthorized installation or alteration and modification, misuse, negligence, accident, overloading, overspeeding, improper maintenance, repair or storage so as, in our judgment, to adversely affect its performance and reliability. This warranty also does not cover normal maintenance such as adjustments, fuel system cleaning and obstruction (due to chemical, dirt, carbon, lime, etc.).
- **Other Exclusions:** This warranty excludes wear items such as quick couplers, oil gauges, belts, o-rings, filters, pump packing, etc., pumps that have been run without water supplied or damage or malfunctions resulting from accidents, abuse, modifications, alterations, or improper servicing or freezing or chemical deterioration. Accessory parts such as guns, hoses, wands and nozzles are excluded from the product warranty. This warranty excludes failures due to acts of God and other force majeure events beyond the manufacturers control. Also excluded is used, reconditioned, and demonstration equipment; equipment used for prime power in place of utility power and equipment used in life support applications.

BRIGGS & STRATTON POWER PRODUCTS GROUP, LLC
JEFFERSON, WI, USA



TABLE DES MATIÈRES

Règles de Sécurité.....	18-20
Connaissez Votre Générateur.....	21
Assemblage.....	22
Opération.....	23-28
Entretien.....	29
Rangement.....	30
Dépannage.....	31
Remarques.....	32
Garantie.....	33

DESCRIPTION DE L'ÉQUIPEMENT



Lisez avec soin ce manuel et familiarisez-vous avec votre générateur. Connaissez ses applications, ses limitations et les dangers qu'il implique.

Ce générateur est un générateur entraîné par un moteur à champ magnétique rotatif produisant du courant alternatif (c.a.). Il a été conçu pour fournir du courant électrique pour faire marcher des charges compatibles d'éclairage, d'appareils ménagers, d'outil et de moteur. Le champ tournant du générateur est entraîné à 3,600 T/M par un moteur monocylindrique.

ATTENTION! NE PAS dépasser la capacité en watts ou en Ampères du générateur. Voir "Ne Pas Surcharger le Générateur" pour l'information spécifique.

Tout a été mis en oeuvre pour que les informations contenues dans ce manuel soient exactes et à jour. Cependant, nous se réserve le droit de changer, d'altérer ou d'améliorer le produit à n'importe quel moment sans avis préalable.

Le Système de contrôle de l'émission du générateur est garanti pour des normes établies par L'Agence de protection de l'environnement. Pour des informations sur la garantie, se reporter au manuel du moteur.

RÈGLES DE SÉCURITÉ



Ceci est la sûreté le symbole vif. Il est utilisé pour vous alerter aux dangers de blessure personnels potentiels. Obéir tous messages de sûreté qui suivent ce symbole éviter la blessure ou la mort possibles.

Le symbole indiquant un message de sécurité est accompagné d'un mot indicateur (DANGER, ATTENTION, AVERTISSEMENT), d'un message illustré et/ou d'un message de sécurité visant à vous avertir des dangers. **DANGER** indique un danger qui, s'il n'est pas évité, *provoquera* des blessures graves, voire fatales.

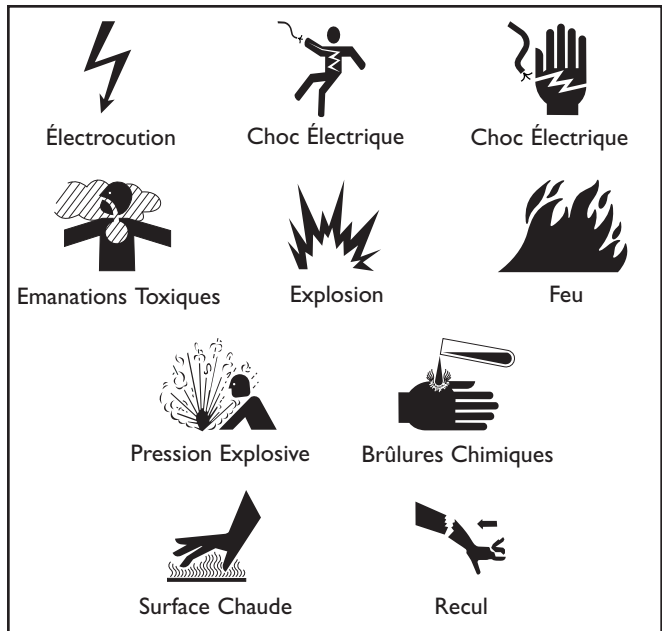
AVERTISSEMENT indique un danger qui, s'il n'est pas évité, *peut* provoquer des blessures graves, voire fatales. **ATTENTION** indique un danger qui, s'il n'est pas évité, *peut* provoquer des blessures mineures ou légères. Le mot **ATTENTION**, lorsqu'il est utilisé **sans** le symbole d'alerte, indique une situation pouvant endommager l'équipement. Suivez les messages de sécurité pour éviter ou réduire les risques de blessures ou de mort.



AVERTISSEMENT

L'échappement du moteur de ce produit contient des produits chimiques que l'État de Californie considère comme causant le cancer, des déformations à la naissance ou d'autres dangers concernant la reproduction.

Symboles de danger et moyens



**⚠ AVERTISSEMENT**

Le générateur, lorsqu'il fonctionne, produit du monoxyde de carbone, un gaz toxique inodore et incolore.

Le fait de respirer du monoxyde de carbone provoque des nausées, des évanouissements ou peut être fatal.

- Faites fonctionner le générateur SEULEMENT à l'extérieur.
- Évitez que les gaz d'échappement entrent dans un espace restreint, par une fenêtre, une porte, une prise d'aération ou toute autre ouverture.
- NE FAITES PAS fonctionner le générateur à l'intérieur d'un bâtiment ou d'un abri, y compris à l'intérieur du compartiment d'un véhicule de plaisance.

⚠ AVERTISSEMENT

Le générateur produit une tension élevée.

NE PAS isoler le générateur de l'installation électrique risque de provoquer des blessures ou même d'être fatal pour les ouvriers électriciens et de causer des dommages au générateur dus à un "backfeed" d'énergie électrique.

- Lorsque vous utilisez le générateur comme source d'énergie de secours, il est nécessaire d'aviser les services publics d'électricité.
- NE touchez pas les fils dénudés ou les boîtiers.
- N'UTILISEZ pas le générateur avec des cordons électriques usés, effilochés ou dénudés, ou abîmés de quelque sorte que ce soit.
- N'UTILISEZ pas le générateur sous la pluie.
- NE manipulez pas le générateur ou les cordons d'alimentation lorsque vous êtes debout dans l'eau, pieds nus ou avec les mains ou les pieds humides.
- NE laissez pas des personnes non qualifiées ou des enfants se servir ou réparer le générateur.

⚠ AVERTISSEMENT

Les batteries d'accumulateur produisent du gaz hydrogène explosif lorsqu'elles se rechargent.

Le gaz hydrogène stagne autour de la batterie longtemps après qu'elle ait été chargée.

La plus petite étincelle enflammera l'hydrogène et provoquera une explosion.

Vous pouvez devenir aveugle ou vous blesser gravement.



Le liquide d'électrolyte de l'accumulateur contient de l'acide et est extrêmement caustique.

Le contact avec le liquide de l'accumulateur provoquera de graves brûlures chimiques.

- Ne laissez aucune flamme, étincelle, source de chaleur ou cigarette allumée pendant ou plusieurs minutes suivant la charge de l'accumulateur.
- Portez des lunettes de protection, un tablier et des gants en caoutchouc.

⚠ AVERTISSEMENT

L'essence et ses vapeurs sont extrêmement inflammables et explosives.



Le feu ou l'explosion risque de provoquer des blessures graves, pouvant être fatales.

LORS DE L'AJOUT OU DE LA VIDANGE DU CARBURANT

- Éteignez le générateur et laissez-le refroidir au moins 2 minutes avant de retirer le capuchon du réservoir de carburant. Desserrez lentement le capuchon pour laisser la pression s'échapper du réservoir.
- Remplissez ou vidangez le réservoir d'essence à l'extérieur.
- NE REMPLISSEZ PAS trop le réservoir. Laissez l'expansion de l'essence.
- Éloignez l'essence des étincelles, des flammes, des veilleuses, de la chaleur et de toute autre source d'inflammation.
- N'ALLUMEZ PAS de cigarette ou ne fumez pas à proximité de l'appareil.

LORS DU DÉMARRAGE DE L'ÉQUIPEMENT

- Assurez-vous que la bougie d'allumage, le silencieux, le bouchon à essence et le filtre à air sont en place.
- NE démarrez PAS le moteur lorsque la bougie d'allumage est enlevée.
- Si du carburant est renversé, attendez qu'il s'évapore avant de démarrer le moteur.

LORSQUE L'ÉQUIPEMENT FONCTIONNE

- NE penchez PAS le moteur ou l'équipement, vous risqueriez de renverser de l'essence.
- Cette génératrice n'est pas conçue pour être utilisée dans de l'équipement mobile ou les applications marines.

LORSQUE VOUS TRANSPORTEZ OU RÉPAREZ L'ÉQUIPEMENT

- Le réservoir d'essence doit être VIDE ou le robinet d'arrêt de carburant doit être à la position fermée (OFF) pendant le transport ou la réparation.
- Débranchez le câble de bougie.

LORSQUE VOUS ENTREPOSEZ L'ESSENCE OU UN ÉQUIPEMENT AVEC UN RÉSERVOIR À ESSENCE


- Entreposez-le loin des appareils de chauffage, des fours, des chauffe-eau, des sècheuses ou de tout autre appareil électroménager disposant d'une veilleuse ou de toute autre source d'inflammation risquant d'enflammer les vapeurs d'essence.

⚠ AVERTISSEMENT

- Cette génératrice ne satisfait pas aux normes U. S. Coast Guard Regulation 33CFR-183 et ne doit pas être utilisée pour des applications marines.
- L'omission d'utiliser une génératrice appropriée et approuvée par U. S. Coast Guard pourrait entraîner des blessures corporelles ou des dommages matériels.



⚠ AVERTISSEMENT

 Une rétroaction rapide de la corde du démarreur (effet de recul) tirera votre main et votre bras vers le moteur plus rapidement que vous ne pouvez relâcher la corde.

Vous risquez ainsi de subir des fractures, des ecchymoses ou des entorses.

- Lors du démarrage du moteur, tirez lentement sur la corde jusqu'à ce que vous sentiez une résistance et tirez alors rapidement afin d'éviter un effet de recul.
- NE démarrez JAMAIS ni n'arrêtez jamais le moteur alors que des appareils électriques y sont branchés et en fonction.

⚠ AVERTISSEMENT

 Unintentional peut résulter dans feu ou électrique.

LORSQUE VOUS RÉGLEZ OU RÉPAREZ VOTRE GÉNÉRATEUR

- Débranchez toujours le câble de bougie et placez-le de façon à ce qu'il ne soit pas en contact avec la bougie.

LORS DE TESTS D'ALLUMAGE DU MOTEUR

- Utilisez un vérificateur de bougies d'allumage approuvé.
- NE vérifiez PAS l'allumage lorsque la bougie d'allumage est enlevée.

⚠ AVERTISSEMENT

 Les moteurs en fonctionnement produisent de la chaleur. La température du silencieux et des endroits à proximité peuvent atteindre, voire dépasser 150°F (65°C).

 Le contact de ces pièces risque de causer de graves brûlures. Des débris dans le combustible tels que feuilles, gazon, broussailles, etc. peuvent s'enflammer.

- NE TOUCHEZ PAS les surfaces chaudes.
- Laissez l'équipement refroidir avant de le toucher.
- La génératrice ne doit pas se trouver à moins de 152,4 cm (5 pi) de toute structure comportant des murs combustibles et/ou les autres matériels combustibles.
- Laissez un dégagement d'au moins 1 m (3 pi) tout autour de l'enceinte de la génératrice pour permettre une ventilation adéquate et un espace suffisant pour sa maintenance et son entretien.
- Dans l'état de Californie un pare-étincelles est requis par la loi (section 4442 du Code des ressources publiques de Californie). D'autres états ont des lois similaires. Les lois fédérales s'appliquent aux terres fédérales. Si vous équipez le silencieux d'un pare-étincelles, il doit être en bon état de fonctionnement.

⚠ ATTENTION

Les vitesses de fonctionnement excessivement élevées augmentent les risques de blessure ou risquent d'endommager le générateur.

Les vitesses extrêmement lentes entraînent une charge importante.

- NE TRAFIQUEZ PAS la vitesse réglée. Le générateur produit une fréquence nominale et une tension correctes lorsqu'il fonctionne à une vitesse réglée.
- NE modifiez le générateur d'aucune façon.

ATTENTION

Dépassez la capacité de puissance ou d'ampérage du générateur risque d'endommager ce dernier et/ou les autres appareils électriques qui y sont branchés.

- Voir la section " Ne Pas Surcharger Générateur ".
- Démarrez le générateur et laissez le moteur se stabiliser avant de brancher les charges électriques.
- Branchez les charges électriques en position ARRÊT, puis, remettez en position MARCHÉ.
- Éteignez les charges électriques et débranchez-les du générateur avant de l'arrêter.

ATTENTION

Un traitement inapproprié du générateur risque de l'endommager et de raccourcir sa durée d'utilisation.

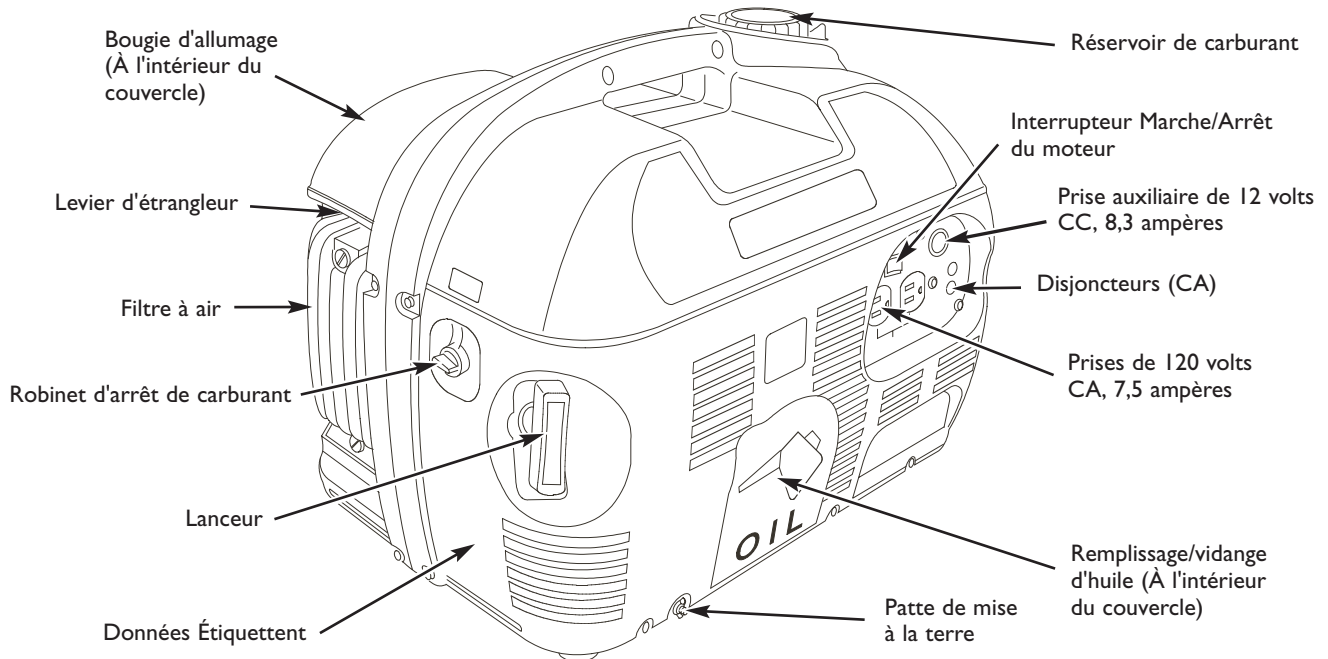
- NE vous servez du générateur que pour les utilisations prévues.
- Si vous avez des questions concernant les utilisations prévues, demandez à votre distributeur ou appelez 1-800-743-4115.
- Ne faites fonctionner le générateur que sur des surfaces horizontales.
- N'EXPOSEZ pas le générateur à une humidité excessive, à de la poussière, à de la saleté ou à des vapeurs corrosives.
- N'INSÉREZ aucun objet dans les fentes de refroidissement.
- Si les appareils branchés sont en surchauffe, éteignez-les et débranchez-les du générateur.
- Arrêtez le générateur si :
 - la puissance électrique est inexistante;
 - l'équipement produit des étincelles, de la fumée ou des flammes;
 - l'unité vibre excessivement.



CONNAISSEZ VOTRE GÉNÉRATEUR

Lire ce manuel de l'utilisateur et les règles de sécurité avant de faire marcher votre générateur.

Comparez les illustrations avec votre générateur pour vous familiariser avec l'emplacement des diverses commandes et réglages. Gardez ce manuel pour le consulter plus tard.



Bougie d'allumage - Accès à la bougie d'allumage du moteur.

Disjoncteurs (CA) - Les prises sont munies d'un disjoncteur avec bouton-poussoir de réenclenchement afin de protéger la génératrice contre les surcharges.

Données Étiquettent - Fournit le modèle, la révision et le numéro de série de générateur. S'il vous plaît avoir ces facilement disponible si appeler l'assistance.

Filtre à air - Filtre doté d'un composant en mousse servant à réduire la saleté et la poussière qui entrent dans le moteur.

Interrupteur Marche/Arrêt du moteur - Interrupteur utilisé pour arrêter un moteur en marche.

Lanceur - Dispositif utilisé pour le démarrage du moteur.

Levier d'étrangleur - Levier utilisé pour fournir manuellement un mélange adéquat au moteur lorsque celui-ci est froid.

Patte de mise à la terre - Connexion utilisée pour assurer la mise à la terre adéquate de la génératrice. Voir "Mise à la terre du système", à la page 23.

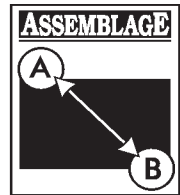
Prise auxiliaire de 12 volts CC, 8,3 ampères - Prise utilisée pour alimenter des appareils électriques de 12 volts CC ou pour recharger des batteries de 12 volts CC.

Prises de 120 volts CA, 7,5 ampères - Prises utilisées pour alimenter les circuits d'éclairage, les électroménagers, les outils et les moteurs de 120 volts CA, monophasés, 60 Hz.

Remplissage/vidange d'huile - Accès à la jauge d'huile et au bouchon de vidange d'huile du moteur.

Robinet d'arrêt de carburant - Robinet utilisé pour ouvrir ou fermer l'alimentation en carburant.

Réservoir de carburant - Réservoir d'une capacité de 4,5 litres (1,2 gallons US).



ASSEMBLAGE

Votre générateur exige que quelque assemblée et soit prêt pour l'usage après il a été convenablement entretenu avec le pétrole et le carburant recommandés.

Si vous avez n'importe quels problèmes avec l'assemblée de votre générateur, s'il vous plaît appeler le helpline de générateur à **1-800-743-4115**. Si vous téléphonez pour obtenir de l'aide, veuillez avoir disponibles les renseignements du données étiquettent: numéro de modèle, de révision et de série.

Enlever le générateur de la boîte

1. Régler la boîte sur une surface plate rigide avec "This Side Up" flèches qui indiquent ascendantes.
2. Soigneusement ouvrir les premiers rabats de la boîte qui expédie.
3. Abattre des coins à une fin de boîte et plie d'haut en bas ce côté de boîte en bas plat.
4. Enlever tout matériel qui emballe, fillers de boîte, etc.
5. Enlever le générateur de la boîte qui expédie.

Les contenus de boîte

Vérifient tous contenus. Si certaines pièces sont manquantes ou endommagées, appelez le **1-800-743-4115**. Si vous téléphonez pour obtenir de l'aide, veuillez avoir disponibles les renseignements du données étiquettent: numéro de modèle, de révision et de série. Vous trouverez aussi dans le carton d'expédition de votre génératrice:

- Le générateur
- Huile moteur
- Manuel de l'utilisateur
- Manuel de moteur
- Câbles de charge de batterie

AVANT LE DÉMARRAGE DU MOTEUR

Ajouter de l'huile à moteur et du combustible

- Mettre le générateur sur une surface à niveau.

ATTENTION

Toute tentative de démarrer le moteur sans qu'il ait été rempli avec l'huile recommandée entraînera une panne de l'équipement..

- Reportez-vous au manuel d'utilisation du moteur au sujet de l'huile et du combustible.
- La garantie sera annulée si des dommages à l'équipement sont entraînés par le manquement à se conformer à cette directive.
- Reportez-vous au manuel d'utilisation du moteur et suivez les directives et les recommandations relatives à l'huile et au combustible.

REMARQUE: Vérifiez souvent l'huile lors du rodage du moteur. Consultez les recommandations contenues dans le manuel d'utilisation du moteur.

REMARQUE: Le champ tournant du générateur est porté par un roulement à billes pré-lubrifié et scellé qui ne nécessite aucune lubrification supplémentaire pendant toute la durée de vie du roulement.



UTILISATION DE LA GÉNÉRATRICE

Mise à la terre du système

La génératrice possède une mise à la terre du système qui raccorde les éléments du cadre de la génératrice aux bornes de mise à la terre des prises de sortie C.A. La mise à la terre du système n'est pas raccordée au fil neutre C.A. Lorsque la génératrice est mise à l'essai à l'aide d'un vérificateur de prise, la condition de communication avec la terre est différente de celle de la prise de maison.

Exigences spéciales

Il se peut que la réglementation d'une agence fédérale ou provinciale de santé et de sécurité du travail, des codes de sécurité nationaux ou provinciaux ou des ordonnances régissent l'utilisation prévue de la génératrice. Veuillez consulter un électricien qualifié, un inspecteur en électricité ou l'agence compétente de votre région.

- Dans certains territoires, il faut enregistrer la génératrice auprès du fournisseur de l'alimentation de service.
- Des règlements additionnels régissent peut-être l'utilisation de la génératrice sur les chantiers de construction.

Branchement au système électrique d'un édifice

Seuls les électriciens qualifiés sont habilités à brancher la génératrice au système électrique d'un édifice pour en faire une source d'alimentation de réserve. Il faut que l'alimentation de la génératrice soit isolée de l'alimentation de service et que le branchement soit conforme à toute la législation applicable et à tous les codes de l'électricité.

AVERTISSEMENT

Le générateur produit une tension élevée.

Ne pas isoler le générateur de l'installation électrique risque de provoquer des blessures ou même d'être fatal pour les ouvriers électriciens et de causer des dommages au générateur dus à un "backfeed" d'énergie électrique.

- Lorsque vous utilisez le générateur comme source d'énergie de secours, il est nécessaire d'aviser les services publics d'électricité.
- NE touchez pas les fils dénudés ou les boîtiers.
- N'UTILISEZ pas le générateur avec des cordons électriques usés, effilochés ou dénudés, ou abîmés de quelque sorte que ce soit.
- N'UTILISEZ pas le générateur sous la pluie.
- NE manipulez pas le générateur ou les cordons d'alimentation lorsque vous êtes debout dans l'eau, pieds nus ou avec les mains ou les pieds humides.
- NE laissez pas des personnes non qualifiées ou des enfants se servir ou réparer le générateur.

Emplacement de la génératrice

Dégagement de la génératrice

AVERTISSEMENT



Le générateur, lorsqu'il fonctionne, produit du monoxyde de carbone, un gaz toxique inodore et incolore.

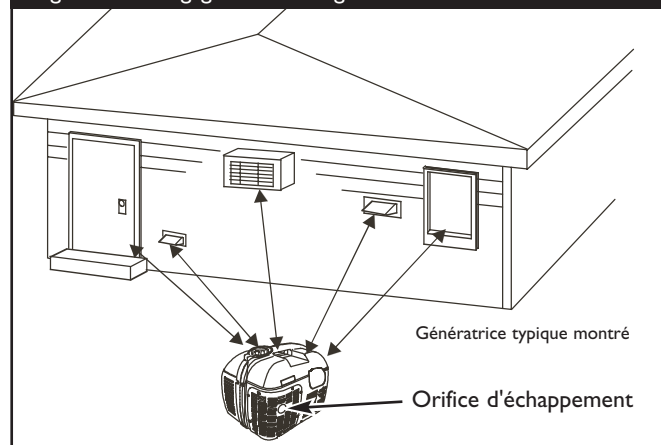
Le fait de respirer du monoxyde de carbone provoque des nausées, des évanouissements ou peut être fatal.

- Faites fonctionner le générateur SEULEMENT à l'extérieur.
- Évitez que les gaz d'échappement entrent dans un espace restreint, par une fenêtre, une porte, une prise d'aération ou toute autre ouverture.
- NE FAITES PAS fonctionner le générateur à l'intérieur d'un bâtiment ou d'un abri, y compris à l'intérieur du compartiment d'un véhicule de plaisance.

L'enceinte de la génératrice ne doit se trouver à moins de 152 cm (5 pi) de toute structure comportant des murs combustibles et/ou les autres matériels combustibles. Laissez au moins 92 cm (3 pi) d'espace libre tout autour de génératrice, y compris au-dessus, pour assurer une ventilation adéquate et un espace suffisant pour sa maintenance et son entretien.

Placez la génératrice dans un endroit bien ventilé qui permet l'élimination des gaz d'échappement mortels. N'installez pas la génératrice dans un endroit où les gaz d'échappement pourraient s'accumuler et pénétrer ou être aspirés dans un édifice qui pourrait être occupé. Assurez-vous que les gaz d'échappement ne puissent entrer par une fenêtre, une porte, une prise d'aération ou une autre ouverture qui pourrait leur permettre de s'accumuler dans un espace restreint (Figure 8). Tenez aussi compte des vents dominants et des courants d'air au moment de choisir l'endroit où vous installerez la génératrice.

Figure 8 — Dégagement de la génératrice



UTILISATION DU GÉNÉRATEUR

ATTENTION

Dépasser la capacité de puissance ou d'ampérage du générateur risque d'endommager ce dernier et/ou les autres appareils électriques qui y sont branchés.

- Voir la section " Ne Pas Surcharger Générateur ".
- Démarrez le générateur et laissez le moteur se stabiliser avant de brancher les charges électriques.
- Branchez les charges électriques en position ARRÊT, puis, remettez en position MARCHÉ.
- Éteignez les charges électriques et débranchez-les du générateur avant de l'arrêter.

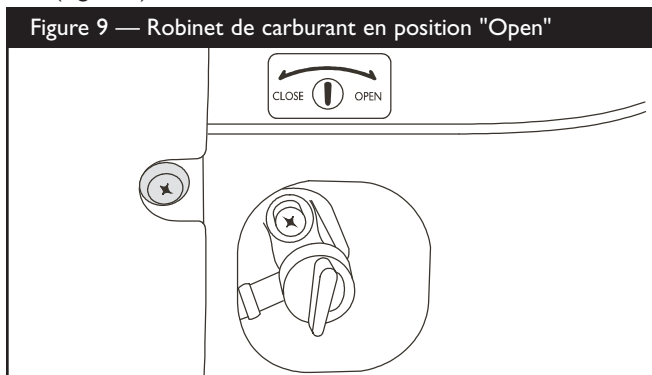
Démarrage du Moteur

Déconnectez toutes les charges électriques du générateur. Suivez ces étapes d'instructions de démarrage:

1. Assurez-vous que la génératrice se trouve sur une surface de niveau.

IMPORTANT: Si la génératrice n'est pas sur une surface de niveau, elle pourrait ne pas démarrer ou encore s'arrêter spontanément.

2. Tournez la valve d'essence sur la position "On" (Marche) (Figure 9).



3. Pour démarrer le moteur, suivez les instructions qui figurent dans le manuel d'utilisation.

REMARQUE: Si le moteur démarre après 3 essais, mais qu'il ne fonctionne pas, ou qu'il s'arrête, assurez-vous que la génératrice se trouve sur une surface de niveau et vérifiez si le carter du moteur contient suffisamment d'huile. Il se peut que cette génératrice soit munie d'un système de protection en cas de bas niveau d'huile. Consultez le manuel du moteur.

AVERTISSEMENT



Une réaction rapide de la corde du démarreur (effet de recul) tirera votre main et votre bras vers le moteur plus rapidement que vous ne pouvez relâcher la corde.

Vous risquez ainsi de subir des fractures, des ecchymoses ou des entorses.

- Lors du démarrage du moteur, tirez lentement sur la corde jusqu'à ce que vous sentiez une résistance et tirez alors rapidement afin d'éviter un effet de recul.
- NE démarrez JAMAIS ni n'arrêtez jamais le moteur alors que des appareils électriques y sont branchés et en fonction.

AVERTISSEMENT



Les moteurs en fonctionnement produisent de la chaleur. La température du silencieux et des endroits à proximité peuvent atteindre, voire dépasser 150°F (65°C).



Le contact de ces pièces risque de causer de graves brûlures.

Des débris dans le combustible tels que feuilles, gazon, broussailles, etc. peuvent s'enflammer.

- NE TOUCHEZ PAS les surfaces chaudes.
- Laissez l'équipement refroidir avant de le toucher.
- La génératrice ne doit pas se trouver à moins de 152,4 cm (5 pi) de toute structure comportant des murs combustibles et/ou les autres matériaux combustibles.
- Laissez un dégagement d'au moins 1 m (3 pi) tout autour de l'enceinte de la génératrice pour permettre une ventilation adéquate et un espace suffisant pour sa maintenance et son entretien.
- Dans l'état de Californie un pare-étincelles est requis par la loi (section 4442 du Code des ressources publiques de Californie). D'autres états ont des lois similaires. Les lois fédérales s'appliquent aux terres fédérales. Si vous équipez le silencieux d'un pare-étincelles, il doit être en bon état de fonctionnement.

Branchement des Charges Électriques

- Laissez le moteur se stabiliser et chauffer pendant quelques minutes avant de démarrer.
- Brancher et mettre en marche les charges électriques de 120 et/ou 240 Volts CA, monophasées de 60 Hertz désirées.
- NE PAS brancher des charges de 240 Volts à des prises de 120 Volts.
- NE PAS brancher des charges triphasées au générateur.
- NE PAS brancher des charges de 50 Hertz au générateur.
- **NE PAS SURCHARGER GÉNÉRATEUR.** Voir la section "Ne Pas Surcharger Générateur".



Arrêt du Moteur

1. Débrancher toutes les charges électriques des prises du générateur. **NE JAMAIS** mettre en route ou arrêter le moteur alors que les appareils électriques sont branchés et en marche.
2. Laissez le moteur tourner à vide pendant 30 secondes pour stabiliser les températures internes du moteur et du générateur.
3. Pour éteindre le moteur, suivez les instructions qui figurent dans le manuel d'utilisation.
4. Fermer le robinet d'arrivée d'essence.

Recharge d'une Batterie

Votre générateur a la capacité de recharger une batterie automobile 12 Volts déchargée ou une batterie de remisage. **NE PAS** utiliser l'appareil pour recharger des batteries de 6 Volts. **NE PAS** utiliser l'appareil pour mettre en route un moteur dont la batterie est déchargée.

⚠ AVERTISSEMENT



Les batteries d'accumulateur produisent du gaz hydrogène explosif lorsqu'elles se rechargent. Le gaz hydrogène stagne autour de la batterie longtemps après qu'elle ait été chargée. La plus petite étincelle enflammera l'hydrogène et provoquera une explosion. Vous pouvez devenir aveugle ou vous blesser gravement.



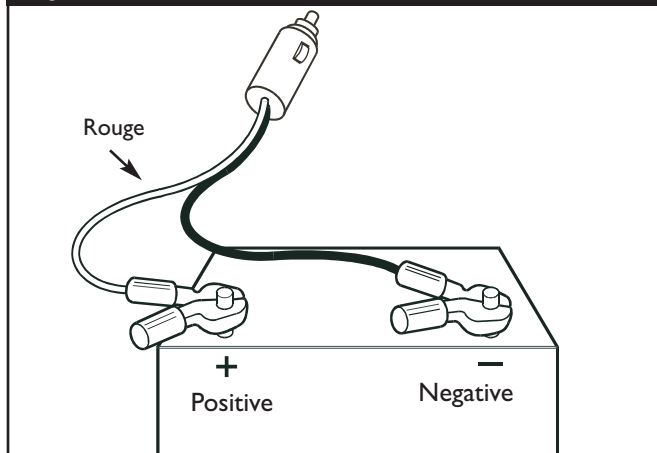
Le liquide d'électrolyte de l'accumulateur contient de l'acide et est extrêmement caustique. Le contact avec le liquide de l'accumulateur provoquera de graves brûlures chimiques.

- Ne laissez aucune flamme, étincelle, source de chaleur ou cigarette allumée pendant ou plusieurs minutes suivant la charge de l'accumulateur.
- Portez des lunettes de protection, un tablier et des gants en caoutchouc.

Pour recharger une batterie de 12 Volts, procédez comme suit:

1. Si nécessaire, nettoyer les bornes de la batterie.
2. Vérifiez le niveau du fluide dans toutes les cellules de la batterie. S'il le faut, ajouter de l'eau distillée et **SEULEMENT** de l'eau distillée pour couvrir les séparateurs dans les cellules de la batterie. **NE PAS utiliser d'eau du robinet.**
3. Si la batterie est équipée de bouchons d'évent, s'assurer qu'ils sont bien en place et serrés.
4. Brancher la prise de connection du câble de recharge de la batterie à la 12 Volt DC prise du tableau.
5. Brancher la pince du câble de recharge de la batterie ayant la poignée **rouge** à la borne **(+) positive, (POSITIVE ou POS)** de la batterie (Figure 10).
6. Brancher la pince du câble de recharge de la batterie ayant la poignée **noire** à la borne **négative (-), (NEGATIVE ou NEG)** de la batterie (Figure 10).
7. Mettre en route le moteur. Laisser le moteur tourner pendant la recharge de la batterie.
8. Lorsque la batterie a été rechargée, arrêtez le moteur.

Figure 10 — Branchement de la batterie



REMARQUE: Utilisez un hydromètre pour automobile pour tester la charge et les conditions de la batteries. Suivre avec soin les instructions du fabricant de l'hydromètre. Généralement on considère qu'une batterie est chargée à 100% lorsque la gravité spécifique de son fluide (mesurée par l'hydromètre) est de 1,260 ou davantage.

FICHES DE CONNEXION

ATTENTION

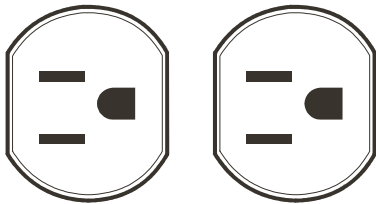
Il se peut que la capacité nominale des prises soit supérieure à la puissance nominale de la génératrice.

- NE tentez JAMAIS d'alimenter un appareil dont l'intensité nominale est supérieure à la capacité de la génératrice ou des prises.
- NE surchargez PAS la génératrice. Voir la section "Ne Surchargez Pas Génératrice".

Prise de 120 volts CA, 15 ampères

Un disjoncteur avec bouton-poussoir de réenclenchement de 7,5 ampères protège chaque prise contre les surcharges. Vous pouvez utiliser chacune des prises pour faire fonctionner des appareils électriques de 120 volts CA, monophasés, 60 Hz nécessitant jusqu'à 1 000 watts (1,0 kW) de puissance (Figure 11).

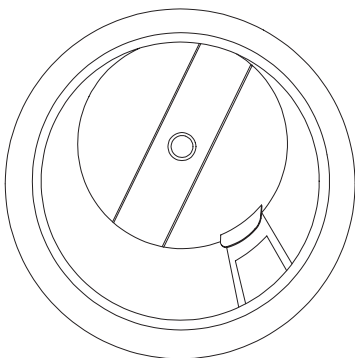
Figure 11 — Prise double de 120 volts CA, 15 ampères



Prise auxiliaire de 12 volts CC

Cette prise vous permet de recharger une batterie d'auto de 12 volts ou une batterie d'accumulateurs à usage général grâce au câble fourni. Cette prise peut aussi servir à alimenter des pompes à air des appareils de type camping tels que des lanternes, des ventilateurs ou d'autres appareils de 12 volts dotés d'une fiche pour allume-cigare (Figure 12).

Figure 12 — Prise auxiliaire de 12 volts CC



Elle ne peut toutefois pas recharger des batteries de 6 volts ni être utilisée pour démarrer un moteur dont la batterie est déchargée. Consultez la section "Chargement d'une batterie" (page 25) avant d'essayer de recharger une batterie.

RALLONGES

N'utilisez que des rallonges de haute qualité bien isolés dans les prises électriques de 120 volts de la génératrice.

Vérifiez le calibre de chacune des rallonges avant de les utiliser. Les rallonges doivent pouvoir supporter des charges de 125 volts CA à 15 ampères (ou plus) pour la plupart des appareils électriques. Cependant, certains appareils n'exigent pas ce type de rallonge. Consultez les manuels d'utilisation de ces appareils pour obtenir plus de détails.

Utilisez des rallonges les plus courtes possible, idéalement de moins de 4,5 mètres (15 pieds), pour éviter les chutes de tension et les surchauffes des câbles.

FUNCTIONNEMENT PAR TEMPS FROID

Sous certaines conditions climatiques (température sous 4 °C [40 °F] avec humidité élevée) du givre pourrait s'accumuler dans le carburateur ou le système de reniflard du carter de votre génératrice. Pour réduire ce problème, il faut prendre les mesures suivantes:

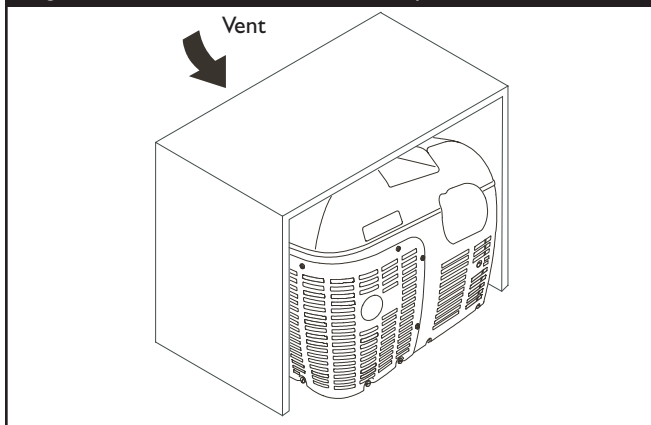
1. Assurez-vous que la génératrice ait du combustible propre et frais.
2. Ouvrez la valve à essence (tournez la valve à la position ouverte).
3. Utilisez de l'huile SAE 5W-30 (préférentiellement de l'huile synthétique, voir le manuel d'utilisation du moteur).
4. Vérifiez quotidiennement le niveau de l'huile ou après chaque période de huit (8) heures de fonctionnement.
5. Entretenez la génératrice conformément aux instructions du "Calendrier d'entretien" dans le manuel d'utilisation du moteur.
6. Protégez l'unité contre les intempéries.



En cas d'urgence, utilisez comme abri temporaire l'emballage en carton dans lequel l'unité a été expédiée.

- Coupez tous les rabats de l'emballage.
- Découpez un côté long du carton pour exposer le côté de l'unité où se trouve le silencieux, tel qu'illustré à la Figure 13.

Figure 13 — Abri Permanent Pour Temps Froids



IMPORTANT: L'enceinte de la génératrice ne doit se trouver à moins de 152 cm (5 pi) de toute structure comportant des murs combustibles ou d'autres matériaux combustibles. Laissez au moins 92 cm (3 pi) d'espace libre tout autour de génératrice, y compris au-dessus, pour assurer un refroidissement adéquat et un espace suffisant pour sa maintenance et son entretien.

⚠ AVERTISSEMENT



Les moteurs en fonctionnement produisent de la chaleur. La température du silencieux et des endroits à proximité peuvent atteindre, voire dépasser 150°F (65°C).



Le contact de ces pièces risque de causer de graves brûlures. Des débris dans le combustible tels que feuilles, gazon, broussailles, etc. peuvent s'enflammer.

- NE TOUCHEZ PAS les surfaces chaudes.
- Laissez l'équipement refroidir avant de le toucher.
- La génératrice ne doit pas se trouver à moins de 152,4 cm (5 pi) de toute structure comportant des murs combustibles et/ou les autres matériels combustibles.
- Laissez un dégagement d'au moins 1 m (3 pi) tout autour de l'enceinte de la génératrice pour permettre une ventilation adéquate et un espace suffisant pour sa maintenance et son entretien.
- Retirez l'abri lorsque la température s'élève à plus de 4 °C [40 °F].

- Découpez des orifices appropriés pour avoir accès aux prises de l'unité.
- Démarrez l'unité et placez ensuite l'emballage au-dessus de celui-ci.

IMPORTANT: Retirez l'abri lorsque la température s'élève à plus de 4 °C [40 °F].

Pour obtenir un abri plus durable, fabriquez une structure qui entourera trois côtés et le dessus de la génératrice.

- Assurez-vous que tout le côté du silencieux de la génératrice soit exposé, tel qu'illustré à la Figure 13.

IMPORTANT: L'enceinte de la génératrice ne doit se trouver à moins de 152 cm (5 pi) de toute structure comportant des murs combustibles ou d'autres matériaux combustibles. Laissez au moins 92 cm (3 pi) d'espace libre tout autour de génératrice, y compris au-dessus, pour assurer un refroidissement adéquat et un espace suffisant pour sa maintenance et son entretien.

- Placez le côté exposé à l'abri du vent et des éléments.
- La structure devrait contenir suffisamment de chaleur produite par la génératrice pour éviter les problèmes de givrage.
- Démarrez et faites fonctionner le moteur à l'extérieur.
- Assurez-vous que les gaz d'échappement ne puissent entrer dans un espace restreint par une fenêtre, une porte, une prise d'aération ou une autre ouverture.

⚠ AVERTISSEMENT



Le générateur, lorsqu'il fonctionne, produit du monoxyde de carbone, un gaz toxique inodore et incolore.

Le fait de respirer du monoxyde de carbone provoque des nausées, des évanouissements ou peut être fatal.

- Faites fonctionner le générateur SEULEMENT à l'extérieur.
 - Évitez que les gaz d'échappement entrent dans un espace restreint, par une fenêtre, une porte, une prise d'aération ou toute autre ouverture.
 - NE FAITES PAS fonctionner le générateur à l'intérieur d'un bâtiment ou d'un abri, y compris à l'intérieur du compartiment d'un véhicule de plaisance.
- N'enveloppez PAS la génératrice plus que ce qu'indique la Figure 13.
 - Retirez l'abri lorsque la température s'élève à plus de 4 °C [40 °F].
 - Arrêtez le moteur et laissez-le refroidir pendant deux (2) minutes avant de remplir le réservoir.



NE SURCHARGEZ PAS GÉNÉRATEUR

Capacité

Vous devez vous assurer que votre générateur puisse fournir suffisamment de puissance nominale (appareil en marche) et de surtension (au démarrage) pour les appareils que vous voulez alimenter en même temps. Suivez ces étapes simples:

- Sélectionnez les appareils que vous voulez alimenter simultanément.
- Additionnez la puissance nominale (en marche) de ces appareils. Vous obtiendrez le montant de puissance que votre générateur doit produire pour faire fonctionner ces appareils. Voir Figure 14.
- Évaluez le nombre de watts de surtension dont vous aurez besoin (au démarrage). La puissance de surtension est la brève explosion de puissance nécessaire pour démarrer les outils à moteur électrique ou les appareils électroménagers comme une scie circulaire ou un réfrigérateur. Parce que tous les moteurs ne démarrent pas au même moment, vous pouvez évaluer la puissance de surtension totale en additionnant seulement le ou les article(s) pour le(s)quel(s) la puissance de surtension supplémentaire est la plus importante, à la puissance nominale indiquée à l'étape 2.

Exemple:

électroménager	nominale (appareil en marche)	supplémentaire (au démarrage)
Climatiseur de fenêtre	1200	1800
Réfrigérateur	800	1600
Congélateur	500	500
Téléviseur	500	-
Éclairage (75 watts)	75	-
	3075 watts au total pendant le fonctionnement	1800 watts de surtension

Puissance nominale (appareil en marche) = 3,075

Watts de surtension supplémentaire = 1,800

Puissance totale du générateur supplémentaire = 4,875

Gestion de la Consommation

Afin de prolonger la durée de vie de votre générateur et des accessoires, il est important de faire attention lorsque vous ajoutez des charges électriques à votre générateur. Aucun appareil ne doit être branché aux prises du générateur avant de démarrer le moteur. La manière correcte et sans aucun risque de gérer la consommation du générateur est d'ajouter séquentiellement des charges comme indiqué ci-dessous:

- Démarez le moteur comme l'indique ce manuel, sans aucun appareil branché au générateur.
- Branchez et mettez en marche la première charge, la plus importante de préférence.

- Laissez la puissance de sortie du générateur se stabiliser (le moteur tourne régulièrement et les dispositifs branchés fonctionnent correctement).
- Branchez et mettez la charge suivante en marche.
- De nouveau, laissez le générateur se stabiliser.
- Répétez les étapes 4 et 5 pour chaque charge supplémentaire.

N'AJOUTEZ JAMAIS de charges supérieures à la puissance du générateur. Vérifiez particulièrement les charges de surtension de la capacité du générateur, comme il est indiqué ci-dessus.

Figure 14 - Tableau de Référence de Puissance

Outil ou appareil électroménager	nominale* (appareil en marche)	surtension supplémentaire (au démarrage)
Essentiels		
Ampoule électrique de 75 watts	75	-
Surgélateur	500	500
Pompe de puisards	800	1200
Réfrigérateur/congélateur de 18 pi cu	800	1600
Pompe de puits à eau – 1/3 HP	1000	2000
Air chaud/air froid		
Courant continu – 10000 BTU	1200	1800
Ventilador de ventana	300	600
Ventilateur d'appareil de chauffage: ½ HP	800	1300
Cuisine		
Four à micro ondes de 1000 watts	1000	-
Cafetière	1500	-
Four électrique à élément unique	1500	-
Plaque de cuisson	2500	-
Salle familiale		
Lecteur de DVD/CD	100	-
Magnétoscope	100	-
Récepteur stéréo	450	-
Téléviseur couleur de 27 po	500	-
Ordinateur individuel avec moniteur de 17 po	800	-
Autres		
Système de sécurité	180	-
Radio/réveil AM/FM	300	-
Ouvre-porte de garage – 1/2 HP	480	520
Chauffe-eau électrique de 40 gallons	4000	-
Outils de bricolage/atelier		
Lampe de travail halogène	1000	-
Pulvérisateur sans air – 1/3 HP	600	1200
Scie alternative	960	960
Perceuse électrique – ½ HP	1000	1000
Scie circulaire - 7 ¼ po	1500	1500
Scie à onglets – 10 po	1800	1800
Raboteuse de table – 6 po	1800	1800
Scie d'établi/scie à bras radial – 10 po	2000	2000
Compresseur d'air - 1-1/2 HP	2500	2500

*La puissance indiquée ci-dessus est approximative. Vérifiez les outils ou les appareils électroménagers pour connaître leur puissance en watts.



900W Génératrice



CARACTÉRISTIQUES

Puissance de surtension nominale 1,000 Watts
 Puissance de fonctionnement nominale 900 Watts
 Courant nominal maximum
 à 120 volts CA 7,5 ampères
 à 12 volts CC 8,3 ampères
 Phase Monophasé
 Fréquence nominale 60 Hertz
 Poids de l'emballage 27,7 kg (61,0 lb)

RECOMMANDATIONS GÉNÉRALES D'ENTRETIEN

Le propriétaire/utilisateur est responsable de la complétion de toutes les tâches périodiques d'entretien en temps voulu; il doit s'assurer aussi que toutes anomalies sont corrigées; et que la machine est gardée propre et remise correctement. **NE JAMAIS** faire marcher un générateur endommagé ou défectueux.

REMARQUE: Devrait vous a des questions de remplacer de composants sur votre générateur de Briggs & Stratton Power Products, s'il vous plaît appeler **1-800-743-4115** pour l'assistance.

Entretien du Moteur

Voit le manuel du propriétaire de moteur pour les instructions.

ATTENTION

Évitez tout contact cutané prolongé ou répété avec l'huile moteur usagée.

- Il a été démontré que l'huile moteur usagée risque de provoquer un cancer de la peau chez certains animaux de laboratoire.
- Rincez consciencieusement les zones exposées avec de l'eau et du savon.



GARDEZ HOS DE PORTÉE DES ENFANTS. NE POLLUEZ PAS. CONSERVEZ LE SURPLUS. RAPPORTEZ L'HUILE USAGÉE AUX CENTRES DE RECYCLAGE.

Entretien du Générateur

L'entretien du générateur consiste à le garder propre et sec. Faire marcher et remiser l'appareil dans un environnement propre et sec où celui-là ne sera pas exposé à trop de poussière, de saleté, d'humidité ou à des vapeurs corrosives. Les fentes de refroidissement par air du générateur ne doivent pas être bouchées par de la neige, des feuilles ou tout autre corps étranger.

REMARQUE: NE PAS d'utiliser un tuyau d'arrosage pour nettoyer le générateur. L'eau peut entrer dans le système de carburation du moteur et causer des problèmes. De plus, si l'eau entre par les fentes de refroidissement à air, une partie de l'eau restera dans les creux et craquelures de l'isolation du bobinage du rotor et du stator. L'eau et l'accumulation de saleté sur ces bobinages internes du générateur réduiront progressivement la résistance d'isolation de ces bobinages.

AVERTISSEMENT

Unintentional peut résulter dans feu ou électrique.

LORSQUE VOUS RÉGLEZ OU RÉPAREZ VOTRE GÉNÉRATEUR

- Débranchez toujours le câble de bougie et placez-le de façon à ce qu'il ne soit pas en contact avec la bougie.

LORS DE TESTS D'ALLUMAGE DU MOTEUR

- Utilisez un vérificateur de bougies d'allumage approuvé.
- NE vérifiez PAS l'allumage lorsque la bougie d'allumage est enlevée.

Pour Nettoyer le Générateur

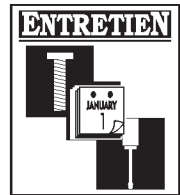
- Se servir d'un chiffon humide pour essuyer et nettoyer les surfaces extérieures.

ATTENTION

Un traitement inapproprié du générateur risque de l'endommager et de raccourcir sa durée d'utilisation.

- N'EXPOSEZ pas le générateur à une humidité excessive, à de la poussière, à de la saleté ou à des vapeurs corrosives.
- N'INSÉREZ aucun objet dans les fentes de refroidissement.

- Une brosse douce à poils soyeux peut être utilisée pour dégager la saleté, l'huile durcie.
- Un aspirateur peut être utilisé pour ramasser la saleté et les débris qui ne sont pas collés.
- On peut se servir d'air comprimé à basse pression (pas plus de 25 psi) pour enlever la saleté. Inspectez les fentes d'air de refroidissement et les ouvertures sur le générateur. Ces ouvertures doivent rester propres et non bouchées.



REMISAGE

Le générateur doit être mise en route au moins une fois tous les sept jours et doit marcher pendant au moins 30 minutes. Si vous ne pouvez pas faire cela et que vous devez remiser le générateur pour plus de 30 jours, utiliser les informations ci-après comme guide pour préparer votre appareil au remisage.

Remisage du Générateur

- Nettoyez le générateur comme indiqué à la section "Pour Nettoyer le Générateur".
- Vérifiez si les fentes d'air de refroidissement et les ouvertures de votre générateur sont ouvertes et non bouchées.



AVERTISSEMENT



Les couvertures d'emmagasinage peuvent être inflammables.

- NE PAS placer une couverture d'emmagasinage par-dessus un générateur chaud.
- Laisser l'unité refroidit pour un temps suffisant avant de placer la couverture sur l'unité.

Remisage du Moteur

Voir les instructions sur la manière de remiser correctement le moteur dans le manuel de l'utilisateur du moteur.

Autres Idées de Remisage

- Afin de prévenir l'accumulation de gomme dans le circuit d'alimentation ou sur les pièces essentielles du carburateur, versez un stabilisateur d'essence dans le réservoir d'essence et faites le plein avec de la nouvelle essence. Faites marcher la génératrice durant quelques minutes pour faire circuler l'additif dans le carburateur. La génératrice et l'essence pourront alors être entreposées pendant 24 mois. Vous pouvez vous procurer le stabilisateur d'essence chez un détaillant de votre localité.
- NE GARDEZ PAS le carburant d'une saison à l'autre, à moins qu'il ait été traité, comme indiqué ci-dessus.
- Remplacez le carburant s'il commence à rouiller. La rouille et/ou la poussière dans le carburant peuvent causer des problèmes lorsque vous l'utilisez avec cet appareil.
- Conservez dans un endroit propre et sec.



DÉPANNAGE

PROBLÈMES	CAUSE	SOLUTION
Le moteur marche, mais il ne se produit pas de courant c.a. dans les prises.	<ol style="list-style-type: none">1. L'un des disjoncteurs est ouvert.2. Problème dans le générateur.3. Pauvre connexion ou rallonge défectueuse.4. L'appareil qui est branché est défectueux.	<ol style="list-style-type: none">1. Réenclencher le disjoncteur.2. Contacter négociant de service Autorisé.3. Vérifier et réparer.4. Brancher un autre appareil qui ne soit pas défectueux.
Le moteur marche bien sans charge mais cale quand les charges sont branchées.	<ol style="list-style-type: none">1. Court-circuit dans une charge branchée.2. Le générateur est surchargé.3. Court-circuit dans le générateur.	<ol style="list-style-type: none">1. Débrancher la charge en court-circuit.2. Voir "Ne Pas Surcharger Générateur."3. Contacter négociant de service Autorisé.
Le moteur ne veut pas démarrer; ou démarre et marche mal.	Bas niveau d'huile.	Remplissez le carter au niveau requis ou placez la génératrice sur une surface de niveau.
Le moteur s'arrête pendant la marche.	<ol style="list-style-type: none">1. Plus d'essence.2. Bas niveau d'huile.	<ol style="list-style-type: none">1. Remplir le réservoir de carburant.2. Remplissez le carter au niveau requis ou placez la génératrice sur une surface de niveau.
Le moteur manque de puissance.	La charge est trop grande.	Voir "Ne Pas Surcharger Générateur".



REMARQUES

REMARQUES

GARANTIE DU PROPRIÉTAIRE D'UN PRODUIT BRIGGS & STRATTON POWER PRODUCTS GROUP, LLC

Prise d'effet au 1^{er} Septembre 2004, annule et remplace toutes les garanties précédentes et les garanties antérieures au 1^{er} Septembre 2004

GARANTIE LIMITÉE

Briggs & Stratton Power Products Group, LLC réparera ou remplacera, sans frais, toutes pièces d'équipement défectueuses comportant un vice de matériau ou un défaut de fabrication ou les deux. En vertu de la présente garantie, les frais de transport des pièces soumises pour réparation ou remplacement sont à la charge de l'acheteur. La présente garantie sera en vigueur durant les périodes stipulées ci-dessous et est assujettie aux conditions stipulées ci-dessous. Pour obtenir des services en vertu de la garantie, veuillez consulter notre Outil de recherche d'un Service après-vente agréé au <http://www.briggspowerproducts.com> afin de trouver un distributeur de service après-vente agréé dans votre région.

IL N'EXISTE AUCUNE AUTRE GARANTIE EXPRESSE. LES GARANTIES IMPLICITES, INCLUANT CELLES DE QUALITÉ MARCHANDE ET D'ADAPTATION À UN USAGE PARTICULIER, SONT LIMITÉES À UNE PÉRIODE D'UN AN À PARTIR DE LA DATE D'ACHAT OU JUSQU'À LA LIMITE PERMISE PAR LA LOI, TOUTE GARANTIE IMPLICITE EST EXCLUE. LA RESPONSABILITÉ POUR DOMMAGES ACCESSOIRES OU INDIRECTS EST EXCLUE DANS LA MESURE OÙ UNE TELLE EXCLUSION EST PERMISE PAR LA LOI. Certains États/provinces ou pays n'autorisent aucune restriction sur la durée d'une garantie implicite, et certains États/provinces ou pays n'autorisent pas l'exclusion ou la limitation des dommages consécutifs ou indirects. Par conséquent, les restrictions et exclusions décrites ci-dessus pourraient ne pas s'appliquer dans votre cas. La présente garantie vous accorde certains droits légaux spécifiques et vous pourriez également en avoir d'autres, qui peuvent varier d'un État ou d'une province à l'autre et d'un pays à l'autre.

NOTRE ÉQUIPEMENT*

MOTEUR HORS-BORD	NETTOYEUR À HAUTE PRESSION	POMPE À EAU (Pas disponible aux États-Unis)	GÉNÉRATRICE PORTATIVE SOUDEUR	SYSTÈME DE GÉNÉRATRICE RÉSIDENIELLE		
				Moins de 10 kW	10 kW ou plus	Commutateur de Transfert

PÉRIODE DE GARANTIE**

	Moteur Hors-Bord	Nettoyeur à Haute Pression	Pompe à Eau	Génératrice Portative / Soudeur	Système de Génératrice Résidentielle (Moins de 10 kW)	Système de Génératrice Résidentielle (10 kW ou plus)	Système de Génératrice Résidentielle (Commutateur de Transfert)
Usage par un consommateur	2 ans	1 an	1 an	2 ans	2 ans	3 ans ou 1500 heures	3 ans
Usage à des fins commerciales	aucune	90 jours	90 jours	1 an	aucune	aucune	aucune

* Le moteur et les batteries de démarrage sont garantis uniquement par les fabricants de ces produits.

** 2 ans pour tous les produits grand public de l'Union européenne. Les pièces seulement à la deuxième année pour l'usage par un consommateur de la Génératrice portative et du Groupe électrogène - moins de 10 kW, à l'extérieur de l'Union européenne.

La période de garantie débute à la date d'achat par le premier acheteur au détail ou par le premier utilisateur commercial final, et se prolonge pour la durée stipulée dans le tableau ci-dessus. "Usage par un consommateur" signifie utilisation domestique personnelle dans une résidence, par l'acheteur au détail. "Usage à des fins commerciales" signifie toute autre utilisation, y compris à des fins commerciales, générant de revenus ou de location. Aux fins de la présente garantie, dès qu'un équipement a été utilisé commercialement une fois, il est par la suite considéré comme étant d'usage à des fins commerciales. **L'équipement utilisé pour l'alimentation principale n'est pas couvert par la présente garantie. Les nettoyeurs à haute pression électriques utilisés à des fins commerciales ne sont pas couverts par la présente garantie.**

POUR EXERCER LA GARANTIE SUR TOUT PRODUIT FABRIQUÉ PAR BRIGGS & STRATTON, IL N'EST PAS NÉCESSAIRE DE L'ENREGISTRER. CONSERVEZ LE REÇU COMME PREUVE D'ACHAT. SI, LORS D'UNE RÉCLAMATION DE GARANTIE, VOUS NE POUVEZ PROUVER LA DATE INITIALE DE L'ACHAT, NOUS UTILISERONS LA DATE DE FABRICATION DU PRODUIT COMME DATE DE RÉFÉRENCE POUR DÉTERMINER LA PÉRIODE DE GARANTIE.

À PROPOS DE LA ÉQUIPEMENT GARANTIE

Nous acceptons de faire effectuer les réparations couvertes par la garantie et tenons à nous excuser pour tout inconvénient subi. Tout agent d'un service après-vente agréé peut exécuter les réparations couvertes par la garantie. La plupart des réparations couvertes par la garantie sont traitées automatiquement; cependant, il arrive parfois que les demandes de service en vertu de la garantie soient non fondées. Par exemple, la garantie ne couvre pas les dommages causés à l'équipement par une utilisation abusive, par un manque d'entretien périodique, durant l'expédition, la manutention ou l'entreposage, ou en raison d'une installation inadéquate. De même, la garantie sera annulée si la date de fabrication ou le numéro de série apposé à l'équipement a été enlevé ou si l'équipement a été changé ou modifié. Durant la période de garantie, le distributeur de service après-vente agréé réparera ou remplacera, à son gré, toute pièce qui, après examen, est trouvée défectueuse à la suite d'une utilisation et d'un entretien normaux. La présente garantie ne couvre pas les réparations et les équipements suivants:

- **Usure normale:** Comme tout autre dispositif mécanique, les groupes électrogènes d'extérieur nécessitent l'entretien périodiques de certaines pièces pour fonctionner adéquatement. La présente garantie ne couvre pas les frais de réparation des pièces ou des équipements dont la durée de vie utile a été dépassée à la suite d'une utilisation normale.
- **Installation et entretien:** La présente garantie ne couvre pas les équipements ou les pièces qui ont fait l'objet d'une installation ou de modifications et de changements inadéquats ou non autorisés, d'une mauvaise utilisation, de négligence, d'un accident, d'une surcharge, d'emballement, d'entretien inadéquat, de réparation ou d'entreposage qui, selon nous, auraient nui à la performance et à la fiabilité du produit. De plus, la garantie ne couvre pas l'entretien normal tel que le réglage, le nettoyage du circuit d'alimentation et son obstruction (causée par l'accumulation de produits chimiques, de saletés, de calamine, de calcaire, etc.).
- **Exclusions supplémentaires:** La présente garantie exclut les pièces qui s'usent telles que les raccords rapides, les jauges d'huile, les courroies, les joints toriques, les filtres, les garnitures de pompes, etc., les pompes ayant fonctionné sans alimentation en eau ou tout dommage ou tout mauvais fonctionnement résultant d'un accident, d'une utilisation abusive, de modifications, de changements ou d'un entretien inadéquat du système, du gel ou d'une détérioration chimique. La garantie du produit ne couvre pas les pièces accessoires telles que les pistolets, les boyaux, les lances et les buses. Cette garantie exclut toute défaillance due à une catastrophe naturelle ou à toute autre force majeure hors du contrôle du fabricant. Est aussi exclu tout équipement usé, remis à neuf ou de démonstration, tout équipement utilisé pour l'alimentation principale en remplacement de l'alimentation de service et tout équipement utilisé pour l'alimentation d'appareils de maintien des fonctions vitales.

BRIGGS & STRATTON POWER PRODUCTS GROUP, LLC
JEFFERSON, WI, USA



TABLA DE CONTENIDOS

Reglas De Seguridad	34-36
Conozca Su Generador	37
Ensamblaje	38
Funcionamiento	39-44
Mantenimiento	45
Almacenamiento	46
Diagnosticos De Averías	47
Garantía	48

DESCRIPCIÓN DEL EQUIPO

Lea este manual de manera cuidadosa y familiarícese con su generador. Conozca sus usos, sus limitaciones y cualquier peligro relacionado con el mismo.

Este generador funciona en base a un motor, de campo eléctrico giratorio y de corriente alterna (AC). Fue diseñado con la finalidad de proveer energía eléctrica para luces eléctricas, aparatos, herramientas compatibles y cargas de motor. El campo giratorio del generador funciona a una velocidad de 3,6000 rpm usando un motor con un solo cilindro.

¡PRECAUCIÓN! NO sobrepase la capacidad de vataje y amperaje del generador. Revise "No Sobrecargue Generador".

Se ha hecho cada esfuerzo posible para asegurarse que la información que aparece en este manual es exacta y se encuentra actualizada. Sin embargo, nosotros se reserva el derecho a cambiar, alterar o de otra manera mejorar, el producto y este documento en cualquier momento, sin previo aviso.

El Sistema de Control de Emisiones para este generador está garantizado para juegos estándares por la Agencia de Protección Ambiental. Para mayor información acerca de la garantía, consulte con el manual del propietario del motor.

INSTRUCCIONES DE SEGURIDAD

Éste es el símbolo de alerta de seguridad. Sirve para advertir al usuario de un posible riesgo para su integridad física. Siga todos los mensajes de seguridad que figuren después de este símbolo para evitar lesiones o incluso la muerte.

El símbolo de alerta de seguridad () es usado con una palabra (PELIGRO, ADVERTENCIA, PRECAUCIÓN), un mensaje por escrito o una ilustración, para alertarlo acerca de cualquier situación de peligro que pueda existir. **PELIGRO** indica un riesgo el cual, si no se evita, *causará* la muerte o una herida grave. **ADVERTENCIA** indica un riesgo el cual, si no se evita, *puede* causar la muerte o una herida grave. **PRECAUCIÓN** indica un riesgo, el cual, si no se evita, *puede* causar heridas menores o moderadas. **PRECAUCIÓN**, cuando se usa *sin* el símbolo de alerta, indica una situación que podría resultar en el daño del equipo. Siga los mensajes de seguridad para evitar o reducir los riesgos de heridas e inclusive la muerte.

ADVERTENCIA

El escape del motor de este producto contiene elementos químicos reconocidos en el Estado de California por producir cáncer, defectos de nacimiento u otros daños de tipo reproductivo.

Símbolos de Peligro y Significados

Electrocución	Descarga Eléctrica	Descarga Eléctrica
Gases Tóxicos	Explosión	Fuego
Presión Explosiva	Quemaduras Químicas	
Superficie Caliente	Retroceso	



⚠ ADVERTENCIA



Al generador funcionar, se produce monóxido de carbono, un gas inodoro y venenoso. El respirar el monóxido de carbono, producirá náusea, desmayo o la muerte.

- Opere el generador SOLAMENTE al aire libre.
- Asegúrese de que los gases de escape no puedan entrar por ventanas, puertas, tomas de aire de ventilación u otras aberturas en un espacio cerrado en el que puedan acumularse.
- NO opere el generador dentro de un edificio o lugar cerrado, incluyendo el compartimiento del generador en un vehículo recreativo o RV.

⚠ ADVERTENCIA



Los generadores producen un voltaje muy poderoso. Si no aísla el generador de utilidades de energía, puede hacer que los trabajadores de electricidad sufran heridas graves e inclusive la muerte, debido a la retroalimentación de la energía eléctrica.

- Cuando use un generador como poder de energía auxiliar, notifique a la compañía de utilidades. Use el equipo de transferencia aprobado para aislar el generador de otra utilidad eléctrica.
- NO toque los alambres pelados o receptáculos.
- NO use un generador con cables eléctricos que estén malgastados, rotos, pelados o dañados de cualquier forma.
- NO opere el generador bajo la lluvia.
- NO maneje el generador o cables eléctricos mientras esté parado en agua, descalzo o cuando las manos y los pies estén mojados.
- NO permita que personas descalificadas o niños operen o sirvan al generador.

⚠ ADVERTENCIA



Las baterías almacenadas producen hidrógeno explosivo mientras estén siendo recargadas. El hidrógeno puede permanecer cerca de la batería por un periodo largo de tiempo, después que la batería haya sido recargada. Una pequeña chispa puede encender el hidrógeno y causar una explosión. Usted puede quedar ciego o sufrir heridas muy graves.



El fluido de electrolito de la batería contiene ácido y es extremadamente cáustico. El contacto con el fluido de la batería puede causar quemaduras químicas severas.

- NO permita ninguna llama abierta, chispa, calor, o encienda un cigarrillo durante y por varios minutos después de haber recargado la batería.
- Lleve puestos las gafas protectoras, delantal y guantes de goma.

⚠ ADVERTENCIA



La combustible y sus vapores son extremadamente inflamables y explosivos.



El fuego o una explosión pueden causar quemaduras severas e inclusive la muerte.

CUANDO AÑADA COMBUSTIBLE O VACÍE EL DEPÓSITO

- Apague el generador (posición OFF) y déjelo enfriar al menos por 2 minutos antes de remover la tapa de la combustible. Afloje la tapa lentamente para dejar que la presión salga del tanque.
- Llene o vacíe el depósito de combustible a la intemperie.
- NO llene demasiado el tanque. Permita al menos espacio para la expansión del combustible.
- Mantenga la combustible alejada de chispas, llamas abiertas, pilotos, calor y otras fuentes de ignición.
- NO encienda un cigarrillo o fume.

CUANDO PONGA EN FUNCIONAMIENTO EL EQUIPO

- Compruebe que la bujía, el silenciador, el tapón del depósito de combustible y el filtro de aire están instalados.
- NO arranque el motor sin la bujía instalada.
- Si se ha derramado combustible, espere a que se evapore antes de arrancar el motor.

CUANDO OPERE EL EQUIPO

- NO incline el motor o el equipo, de tal manera que la combustible se pueda derramar.
- Este generador no es apto para el uso en equipos móviles ni en aplicaciones marinas.

CUANDO TRANSPORTE O REPARE EL EQUIPO

- Transporte o repare el equipo con el tanque de combustible vacío, o con la válvula para apagar el combustible, apagada (posición OFF).
- Desconecte el cable de la bujía.

CUANDO ALMACENE O GUARDE EL EQUIPO CON COMBUSTIBLE EN EL TANQUE


- Almacene alejado de calderas, estufas, calentadores de agua, secadoras de ropa u otros aparatos electrodomésticos que posean pilotos u otras fuentes de ignición, porque ellos pueden encender los vapores de la combustible.

⚠ ADVERTENCIA

- Este generador no cumple la norma 33CFR-183 del cuerpo de guardacostas de EE.UU. y no debe utilizarse en aplicaciones marinas.
- El uso de un generador no homologado por cuerpo de guardacostas de EE.UU. puede provocar lesiones y daños materiales.



⚠ ADVERTENCIA

 El rápido repliegue del cable del arrancador (retroceso) impedirá que el usuario suelte el cable a tiempo y tirará de su mano y brazo hacia el motor. Como resultado, podrían producirse fracturas, contusiones o esguinces.

- Cuando arranque el motor, tire lentamente del cable hasta sentir una resistencia y, a continuación, tire rápidamente de él para evitar su retroceso.
- NUNCA arranque o pare el motor cuando haya aparatos eléctricos conectados y en funcionamiento.

⚠ ADVERTENCIA

 Chispear involuntario puede tener como resultado el fuego o el golpe eléctrico.


CUANDO AJUSTE O HAGA REPARACIONES A SU GENERADOR


- Siempre desconecte el alambre de la bujía y colóquelo donde no pueda entrar en contacto con la bujía.

CUANDO PRUEBE LA BUJÍA DEL MOTOR

- Utilice un comprobador de bujías homologado.
- NO compruebe la chispa sin la bujía instalada.

⚠ ADVERTENCIA

 Los motores al funcionar producen calor. La temperatura del silenciador y de las áreas cercanas puede alcanzar o pasar los 150°F (65°C). Quemaduras severas pueden ocurrir al hacer contacto.

 Los residuos como hojas, hierba, maleza, etc. se pueden inflamar.

- NO toque las superficies calientes.
- Permita que el equipo se enfríe antes de tocarlo.
- El generador debe estar situado a un mínimo de 152 cm (5 pies) de toda estructura con muros combustibles y/o otras materias combustibles.
- Mantenga un mínimo de 92 cm (3 pies) alrededor de la carcasa del generador, para facilitar la ventilación y el mantenimiento del generador.
- En el estado de California es obligatorio, según la ley, el uso de apagachispas (Sección 4442 del Código de Recursos Públicos de California). Otros estados pueden tener leyes similares. Las leyes federales se aplican en tierras federales. Si equipa el silenciador con un apagachispas, este deberá ser mantenido en buenas condiciones de trabajo.

⚠ PRECAUCIÓN

Las velocidades de operación en exceso, aumentan los riesgos de heridas y daños al generador.
Las velocidades bajan en exceso, imponen una carga muy pesada.

- NO cambie ninguna velocidad determinada. El generador suministra una frecuencia y un voltaje calificado cuando funciona a una velocidad determinada.
- NO modifique al generador en ninguna forma.

PRECAUCIÓN

El sobrepasar la capacidad del amperaje y vataje del generador, puede dañar al generador y los aparatos eléctricos conectados al mismo.

- Vea "No sobrecargue generador".
- Encienda su generador y deje que el motor se estabilice antes de conectar las cargas eléctricas.
- Conecte las cargas eléctricas en la posición de apagado (OFF), luego encienda (ON) para su operación.
- Apague (OFF) las cargas eléctricas y desconéctelas del generador antes de parar el generador.

PRECAUCIÓN

El tratamiento inadecuado del generador puede dañarlo y acortar su vida productiva.

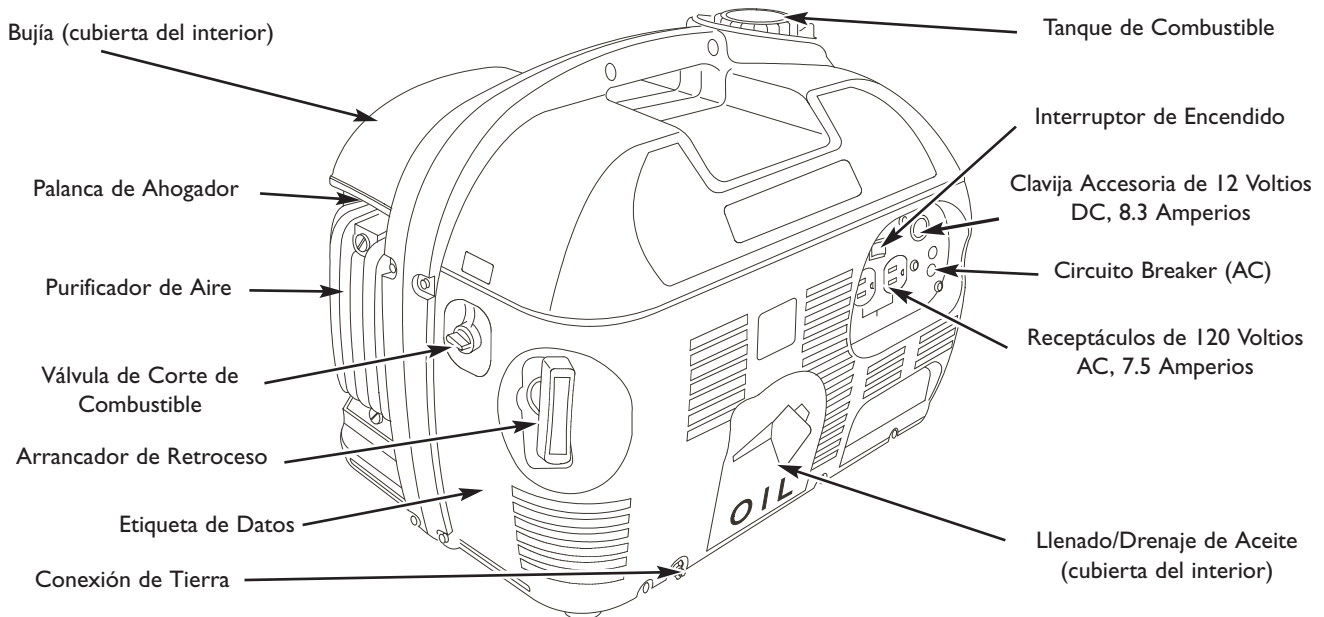
- Use el generador solamente con la finalidad para el cual fue diseñado.
- Si usted tiene alguna pregunta acerca de las finalidades de uso del generador, pregúntele a su concesionario o llamada a 1-800-743-4115.
- Opere el generador solamente en superficies niveladas.
- NO exponga al generador a una humedad excesiva, polvo, suciedad o vapores corrosivos.
- NO inserte cualquier objeto a través de las ranuras de enfriamiento.
- Si los aparatos conectados se sobrecalientan, apáguelos y desconéctelos del generador.
- Apague el generador si:
 - Se pierde la salida eléctrica;
 - El equipo produce chispas, humo o emite llamas;
 - La unidad vibra de una manera excesiva.



CONOZCA SU GENERADOR

Lea este manual del propietario y las reglas de seguridad antes de operar su generador.

Compare las ilustraciones con su generador para familiarizarse con la ubicación de los diferentes controles y ajustes. Conserve este manual para referencias futuras.



Arrancador de Retroceso — Usado para encender el motor.

Bujía — Acceso al enchufe de la bujía.

Circuito Breaker (AC) — Se proporcionan receptáculos con un circuito breaker de re-encendido a presión para proteger el generador en contra de sobrecarga eléctrica.

Clavija Accesorio de 12 Voltios DC, 8.3 Amperios — Puede utilizarse para proporcionar energía a dispositivos eléctricos o para recargar baterías de 12 Volts DC.

Conexión de Tierra — Utilice esta conexión para conectar a tierra de forma correcta el generador. Vea la sección "Tierra del Sistema" en la página 39.

Etiqueta de Datos — Proporciona el modelo, revisión y el número de serie de generador. Tenga por favor estos prontamente disponible cuándo llamar para la ayuda.

Interruptor de Encendido (APAGADO/ENCENDIDO) — Utilizado para detener un motor en funcionamiento.

Llenado/Drenaje de Aceite — Acceso a la varilla de relleno de aceite y a la tapa de drenaje de aceite.

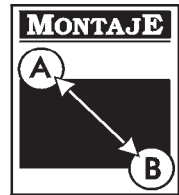
Palanca de Ahogador — Utilizada para proporcionar de manera manual la mezcla de arranque adecuada cuando el motor se encuentra frío.

Purificador de Aire — Utiliza un elemento de espuma para limitar la cantidad de mugre y polvo que entra en el motor.

Receptáculos de 120 Voltios AC, 7.5 Amperios — Pueden ser utilizados para proporcionar energía eléctrica para la operación de cargas eléctricas de alumbrado, de aparatos y de herramientas de 120 Voltios AC, de una fase, a 60 Herzios.

Tanque de Combustible — Tiene una capacidad de 1.2 galones (4.5 litros) de combustible.

Válvula de Corte de Combustible — Use esta válvula para iniciar o detener el suministro de combustible.



MONTAJE

Su generador requiere de ciertos procedimientos de montaje y solo estará listo para ser utilizado después de haberle suministrado servicio con el combustible y aceite recomendados.

Si usted tiene problemas con el montaje de su generador, por favor llame a la línea de ayuda para generadores al **1-800-743-4115**. Si llamar para la ayuda, tiene por favor el modelo, la revisión y el número de serie de etiqueta de datos disponible.

Para Retirar El Generador De La Caja

- Coloque la caja sobre una superficie plana y rígida, con las flechas que dicen "this side up" hacia arriba.
- Abra con cuidado las tapas superiores de la caja de envío.
- Corte de arriba a abajo las esquinas de uno de los lados de la caja y coloque ese lado de la caja sobre el suelo.
- Retire todo el material de empaque, relleno, etc.
- Saque el generador de la caja de envío.

Contenido del Empaque

Si cualquiera de las partes no están presente o se encuentran dañadas, llame a la línea de ayuda del generador al **1-800-743-4115**. Si llamar para la ayuda, tiene por favor el modelo, la revisión y el número de serie de la calcomanía ejemplar de datos disponible.

Verifique el contenido contra la lista de artículos detallados a continuación:

- Unidad principal
- Botella de aceite
- Manual del propietario
- Manual del motor
- Cable para recargar la batería

ANTES DE DARLE ARRANQUE AL MOTOR

Agregar Aceite al Motor y Gasolina

- Coloque la generador sobre una superficie nivelada.

PRECAUCIÓN

Cualquier intento para arancar el motor antes de haberle proporcionado el mantenimiento apropiado con el aceite recomendado, podría ocasionar la falla del motor.

- Consulte el manual del propietario del motor para añadir al motor el aceite y el combustible recomendado
- El daño a la lavadora a presión, resultado de la desatención a esta precaución, no será cubierto por la garantía.
- Consulte el manual del propietario del motor para añadir al motor el aceite y el combustible recomendado.

NOTA: Verifique el aceite del motor de manera frecuente cuando éste se esfuerce demasiado. Consulte el manual del propietario del motor para conocer cuáles son las recomendaciones al respecto.

NOTA: El campo giratorio del generador se encuentra en un cojinete pre-lubricado y sellado que no requiere lubricación adicional por la vida útil del cojinete.



USO DEL GENERADOR

Tierra del Sistema

El generador dispone de una conexión a tierra del sistema que conecta los componentes del bastidor a los terminales de tierra de los enchufes hembra de salida de CA. La tierra del sistema no está conectada al cable de CA neutro. Si prueba el generador con un comprobador de conectores, el estado del circuito de conexión a tierra no será el mismo que con un conector doméstico.

Requisitos Especiales

Es posible que haya normas u ordenanzas locales y nacionales en materia de seguridad e higiene en el trabajo aplicables al uso del generador. Consulte con un electricista cualificado, un inspector eléctrico o el organismo competente.

- En algunas zonas, es obligatorio registrar los generadores en las compañías eléctricas locales.
- Si el generador se utiliza en una obra, puede ser necesario cumplir normas y requisitos adicionales.

Conexión al Sistema Eléctrico de un Edificio

Las conexiones a efectos de alimentación de reserva al sistema eléctrico de un edificio deben ser realizadas por un electricista cualificado. La conexión debe aislar la alimentación del generador de la alimentación de la red pública y debe cumplir todas las leyes y normas eléctricas vigentes.

ADVERTENCIA



Los generadores producen un voltaje muy poderoso. Si no aísla el generador de utilidades de energía, puede hacer que los trabajadores de electricidad sufran heridas graves e inclusive la muerte, debido a la retroalimentación de la energía eléctrica.

- Cuando use un generador como poder de energía auxiliar, notifique a la compañía de utilidades. Use el equipo de transferencia aprobado para aislar el generador de otra utilidad eléctrica.
- NO toque los alambres pelados o receptáculos.
- NO use un generador con cables eléctricos que estén malgastados, rotos, pelados o dañados de cualquier forma.
- NO opere el generador bajo la lluvia.
- NO maneje el generador o cables eléctricos mientras esté parado en agua, descalzo o cuando las manos y los pies estén mojados.
- NO permita que personas descalificadas o niños operen o sirvan al generador.

Ubicación del Generador

Espacio Libre Alrededor del Generador

ADVERTENCIA



Al generador funcionar, se produce monóxido de carbono, un gas inodoro y venenoso.

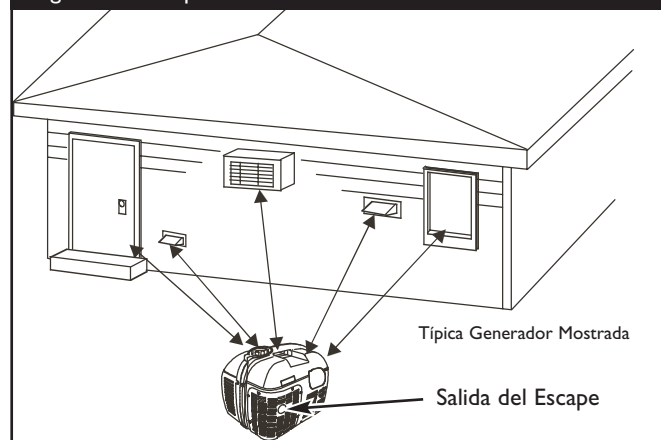
El respirar el monóxido de carbono, producirá náusea, desmayo o la muerte.

- Opere el generador SOLAMENTE al aire libre.
- Asegúrese de que los gases de escape no puedan entrar por ventanas, puertas, tomas de aire de ventilación u otras aberturas en un espacio cerrado en el que puedan acumularse.
- NO opere el generador dentro de un edificio o lugar cerrado, incluyendo el compartimiento del generador en un vehículo recreativo o RV.

El generador debe estar situado a un mínimo de 152 cm (5 pies) de toda estructura con muros combustibles y/o otras materias combustibles. Mantenga un mínimo de 92 cm (3 pies) alrededor del generador, incluido la parte superior, para facilitar la ventilación y el mantenimiento del generador.

Sitúe el generador en una zona bien ventilada que permita la eliminación de los gases de escape mortales. No instale el generador en lugares en los que los gases de escape se puedan acumular o entrar en un edificio que pueda estar ocupado. Asegúrese de que los gases de escape no puedan entrar por ventanas, puertas, tomas de aire de ventilación u otras aberturas en un espacio cerrado en el que puedan acumularse (Figura 15). Tenga en cuenta los vientos y las corriente de aire preponderantes cuando elija la ubicación del generador.

Figura 15 — Espacio Libre Alrededor del Generador



OPERANDO EL GENERADOR

PRECAUCIÓN

El sobrepasar la capacidad del amperaje y vataje del generador, puede dañar al generador y los aparatos eléctricos conectados al mismo.

- Vea "No sobrecargue generador".
- Encienda su generador y deje que el motor se estabilice antes de conectar las cargas eléctricas.
- Conecte las cargas eléctricas en la posición de apagado (OFF), luego encienda (ON) para su operación.
- Apague (OFF) las cargas eléctricas y desconéctelas del generador antes de parar el generador.

Encienda el Motor

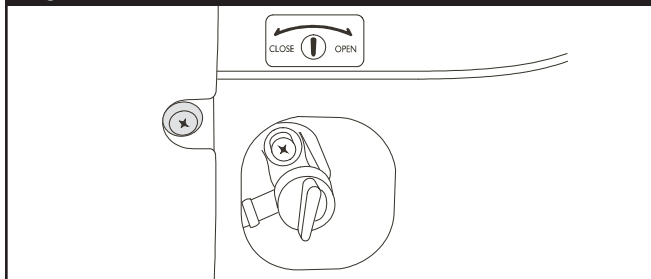
Desconecte todas las cargas eléctricas del generador. Use las siguientes instrucciones para encender:

1. Asegúrese de que la unidad está en una superficie plana.

IMPORTANTE: Si la unidad no se arranca y utiliza en una superficie plana, se pueden producir problemas de arranque y de parada durante el funcionamiento.

2. Gire la válvula del combustible a la posición "On" (Figura 16).

Figura 16 — Válvula del Combustible en la Posición Abierta



3. Ponga en marcha el motor tal y como se explica en el manual del propietario del motor.

ADVERTENCIA



El rápido repliegue del cable del arrancador (retroceso) impedirá que el usuario suelte el cable a tiempo y tirará de su mano y brazo hacia el motor. Como resultado, podrían producirse fracturas, contusiones o esguinces.

- Cuando arranque el motor, tire lentamente del cable hasta sentir una resistencia y, a continuación, tire rápidamente de él para evitar su retroceso.
- NUNCA arranque o pare el motor cuando haya aparatos eléctricos conectados y en funcionamiento.

NOTA: Si el motor arranca después de tirar tres veces del arrancador pero no sigue funcionando, o si la unidad se para en funcionamiento, asegúrese de que la unidad está en una superficie

plana y compruebe que el nivel de aceite del cigüeñal es correcto. La unidad puede equiparse con un dispositivo de protección de bajo nivel de aceite.

ADVERTENCIA



Los motores al funcionar producen calor. La temperatura del silenciador y de las áreas cercanas puede alcanzar o pasar los 150°F (65°C).



Quemaduras severas pueden ocurrir al hacer contacto.

Los residuos como hojas, hierba, maleza, etc. se pueden inflamar.

- NO toque las superficies calientes.
- Permita que el equipo se enfríe antes de tocarlo.
- El generador debe estar situado a un mínimo de 152 cm (5 pies) de toda estructura con muros combustibles y/o otras materias combustibles.
- Mantenga un mínimo de 92 cm (3 pies) alrededor de la carcasa del generador, para facilitar la ventilación y el mantenimiento del generador.
- En el estado de California es obligatorio, según la ley, el uso de apagachispas (Sección 4442 del Código de Recursos Públicos de California). Otros estados pueden tener leyes similares. Las leyes federales se aplican en tierras federales. Si equipa el silenciador con un apagachispas, este deberá ser mantenido en buenas condiciones de trabajo.

Conexion De Cargas Electricas

- Deje que el motor se estabilice y se caliente por unos minutos después del arranque.
- Conecte y encienda las cargas eléctricas de 120 Voltios AC monofásicas de 60 Hz que desee.
- NO conecte cargas de 240 Voltios a tomacorrientes de 120 Voltios.
- NO conecte cargas trifásicas al generador.
- NO conecte cargas de 50 Hz al generador.
- **NO SOBRECARGUE EL GENERADOR.** Vea "No Sobrecargue Generador".

Parado Del Motor

1. Desconecte todas las cargas eléctricas de los tomacorrientes del panel del generador. NUNCA de arranque o detenga el motor con todos los dispositivos eléctricos conectados y encendidos.
2. Deje que el motor funcione sin cargas por algunos minutos para estabilizar las temperaturas internas del motor y el generador.
3. Pare el motor tal y como se explica en el manual del propietario del motor.
4. Cierre la válvula del combustible.



Procedimiento de Carga de la Batería

Su generador tiene la capacidad de recargar baterías descargadas de acumuladores tipo servicio o automotriz de 12 Voltios. NO utilice la unidad para cargar baterías de 6 Voltios. NO use la unidad para mover motores que tengan la batería descargada.

⚠ ADVERTENCIA



Las baterías almacenadas producen hidrógeno explosivo mientras estén siendo recargadas. El hidrógeno puede permanecer cerca de la batería por un periodo largo de tiempo, después que la batería haya sido recargada. Una pequeña chispa puede encender el hidrógeno y causar una explosión. Usted puede quedar ciego o sufrir heridas muy graves.



El fluido de electrolito de la batería contiene ácido y es extremadamente cáustico. El contacto con el fluido de la batería puede causar quemaduras químicas severas.

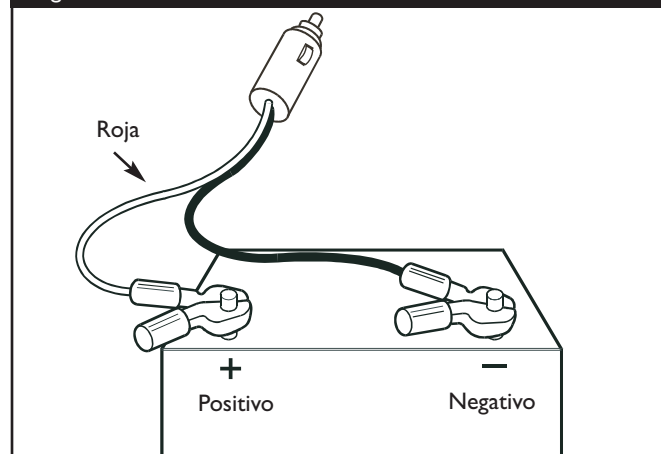
- NO permita ninguna llama abierta, chispa, calor, o encienda un cigarrillo durante y por varios minutos después de haber recargado la batería.
- Lleve puestos las gafas protectoras, delantal y guantes de goma.

Para recargar baterías de 12 Voltios, lleve a cabo los siguientes procedimientos:

1. Limpie los terminales de la batería si es necesario.
2. Revise el nivel del líquido en todas las celdas de la batería. Si es necesario, añada agua destilada **UNICAMENTE** hasta cubrir los separadores de las celdas de la batería. **NO use agua de grifo.**
3. Si la batería está equipada con tapas de desfogue, asegúrese de que están instaladas y apretadas.
4. Conecte el enchufe conector del cable de carga de la batería al tomacorrientes del panel.

5. Conecte el sujetador del cable de carga de la batería que tiene la manija **roja** al terminal o borne de la batería marcado con el signo **POSITIVO, POS** o (+) (Figura 17).

Figura 17 — Conexiones De la Batería



6. Conecte el sujetador del cable de carga de la batería que tiene la manija **negra** al terminal o borne de la batería marcado con el signo **NEGATIVO, NEG** o (-) (Figura 17).
7. Arranque el motor. Deje que el motor funcione mientras la batería se recarga.
8. Cuando la batería haya cargado, apague el motor (vea "Parado del Motor" a continuación).

NOTA: Use un hidrómetro para automóviles para probar el estado de carga y condición de la batería. Siga cuidadosamente las instrucciones del fabricante del hidrómetro. Por lo general, se considera que una batería está en un estado de carga del 100% cuando la gravedad específica de su líquido (medida por el hidrómetro) es de 1.260 o más.

ENCHUFES DE CONEXIÓN



PRECAUCIÓN

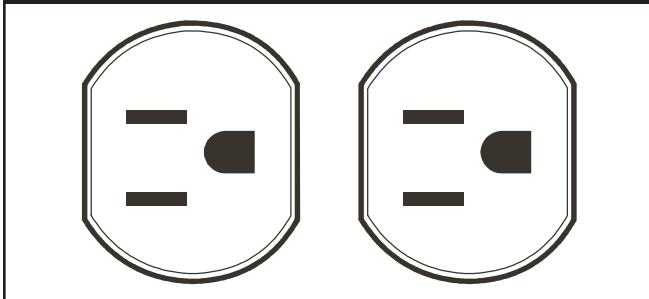
El valor nominal que se indica en los enchufes hembra puede ser superior a la capacidad de salida del generador.

- NUNCA intente suministrar corriente a un dispositivo de amperaje superior al que puede suministrar el generador o el enchufe hembra.
- NO sobrecargue el generador. Consulte el apartado “No Sobrecargue Generador”.

Receptáculo de 120 Voltios AC

Cada enchufe está protegido contra una sobrecarga por un circuito breaker de re-encendido a presión de 7.5 Amperios. Utilice cada receptáculo para operar cargas eléctricas de 120 Voltios, de una fase, 60 Herzios, que requieran hasta 1,000 watts (1.0kW) de energía (Figura 18).

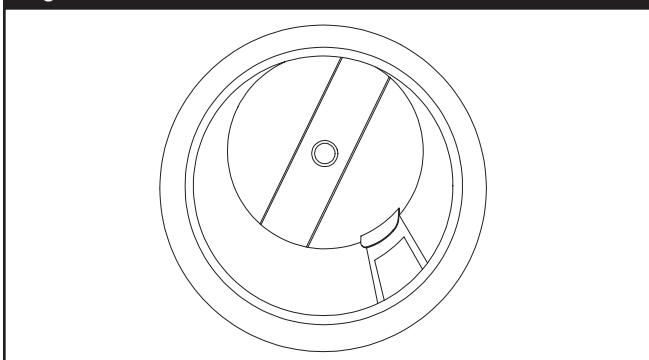
Figura 18 — CA De 120 Voltios, Receptáculo A dos caras De 15 Amperios



Clavija Accesorio de 12 Voltios DC, 8.3 Amperios

Este receptáculo le permite recargar una batería de 12 Voltios automotriz o de almacenamiento estilo suministro eléctrico, con el cable de batería que se proporciona. Las bombas de aire estilo campamento, linternas, ventiladores u otros dispositivos de 12 Voltios que posean un enchufe estilo encendedor de cigarrillos, también pueden ser cargadas por este enchufe (Figura 19).

Figura 19 — Accesorio Gato De la Cc. De 12 Voltios



Este receptáculo no puede recargar las baterías de 6 Voltios y no puede ser utilizado tampoco para arrancar un motor que tenga la batería descargada. Consulte “Cargando una Batería” (página 41) antes de intentar recargar cualquier batería.

CABLES DE EXTENSIÓN

Utilice únicamente cables de extensión de alta calidad, aislados de forma apropiada, con los receptáculos eléctricos de 120 Voltios del generador. Verifique las capacidades de todos los cables de extensión antes de utilizarlos. Tales cables deben tener la capacidad de soportar cargas de 125 Voltios AC a 15 Amperios (o superiores) para la mayoría de aparatos eléctricos. Algunos dispositivos, sin embargo, quizás no requieran este tipo de cable de extensión. Verifique los manuales del propietario de dichos aparatos para conocer sus recomendaciones al respecto.

Conserve los cables de extensión tan cortos como sea posible, preferiblemente a una longitud menor de 15 pies, para prevenir una baja del voltaje y un posible sobrecalentamiento de alambres.

OPERACIÓN DURANTE UN CLIMA FRÍO

En ciertas condiciones climáticas (temperaturas inferiores a 4° C [40° F] combinadas con un alto nivel de humedad), su generador puede experimentar formación de hielo en el carburador o el sistema de ventilación del cárter. Para reducir este problema, es necesario realizar lo siguiente:

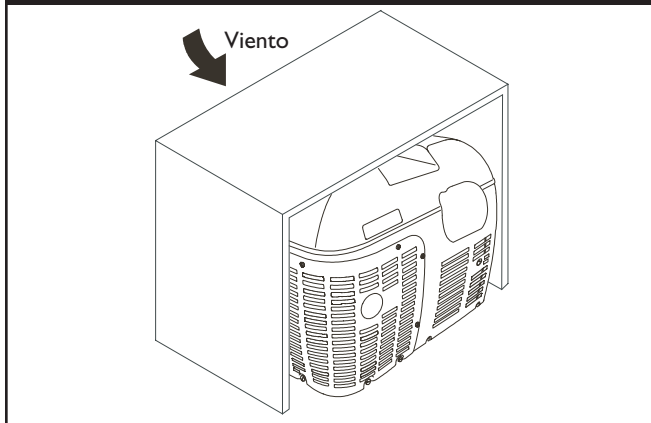
1. Asegúrese de que el generador tenga combustible nuevo y limpio.
2. Abra la válvula de combustible (gire la válvula a la posición de abierto).
3. Utilice aceite 5W-30 SAE (se prefiere sintético, vea manual de motor).
4. Verifique el nivel de aceite diariamente o después de cada ocho (8) horas de funcionamiento.
5. Mantenga el generador que sigue el “Horario de la Conservación” en el manual de motor.
6. Proteja la unidad de la intemperie.



En caso de emergencia, utilice la caja de cartón del embalaje original como una protección temporal.

7. Corte las tapas de la caja.
8. Corte uno de los lados largos de la caja para dejar expuesto el lado del silenciador de la unidad como se muestra en la Figura 20.

Figura 20 — Refugio Frío Permanente del Tiempo



IMPORTANTE: El generador debe estar situado a un mínimo de 152 cm (5 pies) de toda estructura con muros combustibles y/o otras materias combustibles. Mantenga un mínimo de 92 cm (3 pies) alrededor del generador, incluido la parte superior, para facilitar la ventilación y el mantenimiento del generador.

⚠ ADVERTENCIA



Los motores al funcionar producen calor. La temperatura del silenciador y de las áreas cercanas puede alcanzar o pasar los 150°F (65°C).



Quemaduras severas pueden ocurrir al hacer contacto.

Los residuos como hojas, hierba, maleza, etc. se pueden inflamar.

- NO toque las superficies calientes.
- Permita que el equipo se enfríe antes de tocarlo.
- El generador debe estar situado a un mínimo de 152 cm (5 pies) de toda estructura con muros combustibles y/o otras materias combustibles.
- Mantenga un mínimo de 92 cm (3 pies) alrededor de la carcasa del generador, para facilitar la ventilación y el mantenimiento del generador.
- Retire la protección cuando la temperatura sea superior a 4°C [40°F].

9. Corte las ranuras adecuadas para tener acceso a los tomacorrientes de la unidad.
10. Arranque la unidad y después coloque la caja de cartón encima.

IMPORTANTE: Retire la protección cuando la temperatura sea superior a 4°C [40°F].

Para una protección más permanente, construya una estructura que rodee los tres lados y la parte superior del generador.

7. Asegúrese de que quede expuesto el lado completo del silenciador del generador, como se muestra en la Figura 20.

IMPORTANTE: El generador debe estar situado a un mínimo de 152 cm (5 pies) de toda estructura con muros combustibles y/o otras materias combustibles. Mantenga un mínimo de 92 cm (3 pies) alrededor del generador, incluido la parte superior, para facilitar la ventilación y el mantenimiento del generador.

8. El extremo expuesto debe estar situado en dirección contraria al viento y los elementos.
9. La estructura deberá conservar suficiente calor del generador a fin de evitar problemas de formación de hielo.
10. Arranque el motor y manténgalo en marcha en exteriores.
11. Asegúrese de que los gases de escape no puedan entrar por ventanas, puertas, tomas de aire de ventilación u otras aberturas en un espacio cerrado en el que puedan acumularse.

⚠ ADVERTENCIA



Al generador funcionar, se produce monóxido de carbono, un gas inodoro y venenoso.

El respirar el monóxido de carbono, producirá náusea, desmayo o la muerte.

- Opere el generador SOLAMENTE al aire libre.
- Asegúrese de que los gases de escape no puedan entrar por ventanas, puertas, tomas de aire de ventilación u otras aberturas en un espacio cerrado en el que puedan acumularse.
- NO opere el generador dentro de un edificio o lugar cerrado, incluyendo el compartimiento del generador en un vehículo recreativo o RV.

12. El generador no debe quedar más encerrado de lo que se muestra en la Figura 20.
13. Retire la protección cuando la temperatura sea superior a 4°C [40°F].
14. Apague el motor y déjelo enfriar durante dos (2) minutos antes de volver a abastecer de combustible.



NO SOBRECARGUE EL GENERADOR

Capacidad

Usted debe asegurarse que su generador puede proveer el suficiente vataje calificado (cuando esté funcionando) y de carga (al encender) para los aparatos a los cuales va a proveer la energía, al mismo tiempo. Siga estos pasos:

1. Seleccione los aparatos que recibirán la energía, al mismo tiempo.
2. Totalice los vatios calificados (cuando esté funcionando) de estos aparatos. Esta es la cantidad de energía que su generador debe producir para mantener esos aparatos funcionando adecuadamente. Vea la Figura 21.
3. Calcule la cantidad de vatios de carga (al encender) que usted necesitará. El vataje de carga es la cantidad mínima de electricidad, necesaria para encender herramientas o aparatos con motores eléctricos, tales como, sierras circulares o refrigeradores. Debido a que no todos los motores se encienden al mismo momento, el vataje total de carga se puede estimar al añadir solamente el(los) aparato(s) con el vataje adicional más alto, al total del vataje calificado, obtenido en el paso 2.

Ejemplo:

Herramienta o Aparato Eléctrico	(cuando esté funcionando)	Vatios Adicionales de Carga (al encender)
Aire Acondicionado de Ventana	1200	1800
Refrigerador	800	1600
Congelador industrial	500	500
Televisión	500	-
Luz (75 Vatios)	75	-
Total = 3075 Vatios para funcionar		1800 (Vatios de Carga más alto)

Vataje Total Calificado (cuando esté funcionando) = 3075

Vataje de Carga Adicional más alto = 1800

Salida Total Requerida del Generador = 4875

Control de la Energía

Para prolongar la vida de su generador y los aparatos que estén conectados al mismo, es muy importante cuidarlo cuando se le añaden cargas eléctricas. Nada debería estar conectado a los tomacorrientes del generador antes de que su motor sea encendido. La forma correcta y más segura para controlar la energía del generador, es la de añadir en secuencias las cargas, como se describe a continuación:

1. Sin tener nada conectado al generador, encienda el motor de la manera descrita en este manual.
2. Conecte y encienda la primera carga, preferiblemente la mayor que usted tenga.
3. Permita que la salida del generador se estabilice (el motor funciona suavemente y el aparato conectado al mismo trabaja adecuadamente).

4. Conecte y encienda la próxima carga.
5. De nuevo, permita que el generador se estabilice.
6. Repita los pasos 4 y 5 para cada carga adicional que usted tenga.

NUNCA añada más cargas sobre la capacidad del generador. Tome una atención especial en considerar las cargas de corriente según la capacidad del generador, como se describe arriba.

Figura 21 - Guía de Referencia de Vataje

Herramienta o Aparato Eléctrico	Calificados* (cuando esté funcionando)	Adicionales de Carga (al encender)
Esenciales		
Bombilla - 75 vatios	75	-
Congelador industrial	500	500
Bomba de aguas negras	800	1200
Refrigerador / congelador - 18 pies cúbicos	800	1600
Bomba de agua - 1/3 HP	1000	2000
Calefacción / enfriamiento		
Aire Acond. de ventana - 10.000 BTU	1200	1800
Ventilador de ventana	300	600
Calefactor de caldera - 1/2 HP	800	1300
Cocina		
Horno de microondas - 1.000 Vatios	1000	-
Cafetera	1500	-
Cocina eléctrica - Elemento simple	1500	-
Calentaplatos	2500	-
Habitación Familiar		
Tocador de DVD/CD	100	-
VCR	100	-
Receptor estéreo	450	-
Televisor a color - 27 pulg.	500	-
Computadora personal con monitor de 17 pulg.	800	-
Otros		
Sistema de seguridad	180	-
Radio-Reloj AM/FM	300	-
Abridor de garaje - 1/2 HP	480	520
Calentador eléctrico de agua - 40 galones	4000	-
Taller		
Luz de halógeno para trabajar	1000	-
Rociador sin aire - 1/3 HP	600	1200
Sierra intercambiable	960	960
Taladro eléctrico - 1/2 HP	1000	1000
Sierra circular - 7 1/4 pulg.	1500	1500
Sierra inglete - 10 pulg.	1800	1800
Mesa de planificación - 6 pulg.	1800	1800
Sierra de mesa / sierra de brazo radial - 10 pulg.	2000	2000
Compresor de aire - 1-1/2 HP = Caballo de fuerza.	2500	2500

*El vataje que aparece en la lista es solamente una cantidad aproximada. Verifique la herramienta o aparato eléctrico para obtener el vataje verdadero.



900W Generador



ESPECIFICACIONES

Wattaje de Funcionamiento 900 Watts (0.9 kW)
 Wattaje de Variación 1,000 Watts (1.0kW)
 Voltaje 120 Voltios AC
 Corriente Máxima
 a 120 Voltios AC 7.5 Amperios
 a 120 Voltios DC 8.3 Amperios
 Rango de Frecuencia 60 Hz a 3600 rpm
 Fase Una Fase
 El Peso Embalado 61 lbs.

RECOMENDACIONES GENERALES DE MANTENIMIENTO

El propietario / operador es responsable por asegurarse de que todos los trabajos periódicos de mantenimiento se lleven a cabo adecuadamente; que todos los problemas son resueltos; y que la unidad se mantiene limpia y adecuadamente almacenada. NUNCA opere un generador que esté dañado o defectuoso.

NOTA: Debe tener las preguntas acerca de reemplazar los componentes en su máquina generador de Briggs & Stratton Power Products, llaman por favor **1-800-743-4115** para la ayuda.

Mantenimiento del Motor

Consulte el manual del propietario del motor para las instrucciones de cómo mantener adecuadamente el motor.

	PRECAUCIÓN
Evite el contacto prolongado o repetido de piel con aceite usado de motor.	
<ul style="list-style-type: none"> • El aceite usado del motor ha sido mostrado al cancer de la piel de la causa en ciertos animales del laboratorio. • Completamente lavado expuso áreas con el jabón y el agua. 	



MANTENGA FUERA DE ALCANCE DE NIÑOS. NO CONTAMINE. CONSERVE los RECURSOS. VUELVA ACEITE USADO A la COLECCION CENTRA.

Mantenimiento del Generador

El mantenimiento del generador consiste en conservar la unidad limpia y seca. Opere y almacene la unidad en un ambiente limpio y seco donde no será expuesta al polvo, suciedad, humedad o vapores corrosivos. Las ranuras del aire de enfriamiento del generador no deben estar tapadas con nieve, hojas, o cualquier otro material extraños. Revise frecuentemente la limpieza del generador y límpielo cuando esté con polvo, sucio, con aceite, humedad, o cuando otras sustancias extrañas sean visibles en su superficie exterior.

NOTA: NO recomendamos el uso de mangueras de jardín para limpiar el generador. El agua podría introducirse en el sistema de combustible del motor y causar problemas. Además, si el agua se introduce al generador a través de las ranuras para aire de enfriamiento, algo del agua quedará retenida en los espacios vacíos y grietas del aislamiento del devanado del estator y rotor. La acumulación de agua y suciedad en los devanados internos del generador disminuirá eventualmente la resistencia del aislamiento de estos devanados.

	ADVERTENCIA
	Chispear involuntario puede tener como resultado el fuego o el golpe eléctrico.
CUANDO AJUSTE O HAGA REPARACIONES A SU GENERADOR	
<ul style="list-style-type: none"> • Siempre desconecte el alambre de la bujía y colóquelo donde no pueda entrar en contacto con la bujía. 	
CUANDO PRUEBE LA BUJÍA DEL MOTOR	
<ul style="list-style-type: none"> • Utilice un comprobador de bujías homologado. • NO compruebe la chispa sin la bujía instalada. 	

Para Limpiar el Generador

- Utilice un trapo húmedo para limpiar las superficies exteriores.

PRECAUCIÓN
El tratamiento inadecuado del generador puede dañarlo y acortar su vida productiva.
<ul style="list-style-type: none"> • NO exponga al generador a una humedad excesiva, polvo, suciedad o vapores corrosivos. • NO inserte cualquier objeto a través de las ranuras de enfriamiento.

- Puede usar un cepillo de cerdas suaves para retirar la suciedad endurecida, aceite, etc.
- Puede usar una máquina aspiradora para eliminar suciedad y residuos sueltos.
- Puede usar aire a baja presión (que no exceda los 25 psi) para eliminar la suciedad. Inspeccione las ranuras para aire de enfriamiento y la apertura del generador. Estas aperturas deberán mantenerse limpias y despejadas.



ALMACENAMIENTO

El generador deberá ser encendido al menos una vez cada siete días y deberá dejarlo funcionar al menos durante 30 minutos. Si no puede hacer esto y debe almacenar la unidad por más de 30 días, siga las siguientes instrucciones para preparar su unidad para almacenamiento.

Almacenando el Generador

- Limpie el generador como está descrito en ("Para Limpiar el Generador").
- Revise que las ranuras para el aire de enfriamiento y las aperturas del generador se encuentren abiertas y despejadas.



ADVERTENCIA



Las cubiertas para almacenamiento pueden ser inflamables.

- NO coloque una cubierta encima de un generador caliente.
- Deje que la unidad se enfríe lo suficientemente antes de que le coloque la cubierta.

Almacenando el Motor

Consulte el manual del propietario del motor para las instrucciones de cómo preparar adecuadamente el motor para su almacenamiento.

Otras Sugerencias Para el Almacenando

- Para evitar la formación de carbonilla en el circuito de combustible o en piezas esenciales del carburador, añada estabilizador de combustible al depósito de combustible y llene este de gasolina nueva. Haga funcionar la unidad durante varios minutos para que el aditivo circule a través del carburador. La unidad y el combustible se pueden almacenar durante un máximo de 24 meses. El estabilizador de combustible se puede adquirir donde se vaya a usar el equipo.
- NO almacene gasolina de una estación a otra estación, al menos que haya sido tratada como se mencionó antes.
- Reemplace la caneca de gasolina si comienza a oxidarse. El óxido y/o la suciedad en la gasolina le causará problemas.
- Almacene la unidad en un área limpia y seca.



DIAGNÓSTICO Y REPARACIÓN DE AVERÍAS

Problema	Accion	Causa
El motor está funcionando pero no existe salida de AC disponible.	<ol style="list-style-type: none">1. El interruptor automático de circuito está abierto.2. Conexión mal o defectuosa del juego de cables.3. El dispositivo conectado está dañado.4. Avería en el generador.	<ol style="list-style-type: none">1. Reposicione el interruptor.2. Revise y repare.3. Conecte otro dispositivo que esté buenas condiciones.4. Contacte el distribuidor de servicio autorizado.
El motor funciona bien sin carga pero "funciona mal" cuando se le conectan cargas.	<ol style="list-style-type: none">1. Corto circuito en una de las cargas conectadas.2. El generador está sobrecarga.3. Circuito del generador en corto.	<ol style="list-style-type: none">1. Desconecte la carga eléctrica en corto.2. Vea "No Sobrecargar Generador".3. Contacte el distribuidor de servicio autorizado.
El motor no se enciende; o se enciende y funciona mal.	Nivel de aceite insuficiente.	Llene el cárter hasta el nivel correcto o sitúe el generador en una superficie plana.
El motor se apaga en pleno funcionamiento.	<ol style="list-style-type: none">1. Sin gasolina.2. Nivel de aceite insuficiente.	<ol style="list-style-type: none">1. Llene el tanque de combustible.2. Llene el cárter hasta el nivel correcto o sitúe el generador en una superficie plana.
Al motor le hace falta potencia.	La carga es muy alta.	Vea "No Sobrecargar Generador".

POLÍTICA DE GARANTÍA PARA EL PROPIETARIO DE EQUIPOS BRIGGS & STRATTON POWER PRODUCTS GROUP, LLC

Fecha de entrada en vigor: 1 de Septiembre de 2004. Sustituye a todas las garantías sin fecha y a las de fecha anterior al 1 de Septiembre de 2004

GARANTÍA LIMITADA

Briggs & Stratton Power Products Group, LLC reparará o sustituirá sin cargo alguno cualquier componente del equipo que presente defectos de materiales y/o mano de obra. Los gastos de transporte de las piezas enviadas para reparar o sustituir conforme a los términos de esta garantía correrán a cargo del comprador. El periodo de vigencia y las condiciones de esta garantía son los que se estipulan a continuación. Para obtener servicio en garantía, localice el distribuidor de servicio autorizado más próximo en nuestro mapa de distribuidores, en www.briggspowerproducts.com.

NO EXISTE NINGUNA OTRA GARANTÍA EXPLÍCITA. LAS GARANTÍAS IMPLÍCITAS, INCLUIDAS LAS DE COMERCIABILIDAD O IDONEIDAD PARA UN FIN CONCRETO, SE LIMITAN A UN AÑO DESDE LA FECHA DE COMPRA O AL LÍMITE DE TIEMPO PERMITIDO POR LA LEY. QUEDAN EXCLUIDAS TODAS LAS GARANTÍAS IMPLÍCITAS QUEDA EXCLUIDA LA RESPONSABILIDAD POR DAÑOS SECUNDARIOS Y DERIVADOS HASTA EL LÍMITE PERMITIDO POR LA LEY. Algunos países o estados no permiten limitar la duración de una garantía implícita ni excluir o limitar los daños secundarios y derivados. Por tanto, es posible que las limitaciones y exclusiones mencionadas no sean aplicables en su caso. Esta garantía le otorga determinados derechos legales y es posible que tenga otros derechos que pueden variar de un país o estado a otro.

NUESTRO EQUIPO*

MOTOR FUERABORDA	LIMPIADORA A PRESIÓN	BOMBA DE AGUA (No disponible en EE.UU.)	GENERADOR PORTÁTIL SOLDADORA	SISTEMA DE GENERADOR DE RESERVA DOMÉSTICO		
				Menos de 10 kW	10 kW ó más	Conector

PERÍODO DE GARANTÍA**

Uso del consumidor	2 años	1 año	1 año	2 años	2 años	3 años ó 1.500 horas	3 años
Uso comercial	ninguno	90 días	90 días	1 año	ninguno	ninguno	ninguno

* El motor y las baterías de arranque sólo están cubiertos por la garantía de su fabricante.

** 2 años para todos los productos de consumo en la Unión Europea. Componentes sólo durante el segundo año para uso del consumidor del generador portátil y del sistema generador doméstico - Menos de 10 kW fuera de la Unión Europea.

El período de garantía comienza en la fecha de compra del primer consumidor o usuario comercial final y se prolonga durante el tiempo especificado en la siguiente tabla. "Uso del consumidor" significa uso doméstico personal por parte de un consumidor final. "Uso comercial" significa cualquier otro uso, incluidos los usos con fines comerciales, de generación de ingresos o alquiler. Una vez que el equipo se haya usado con fines comerciales, se considerará como equipo de uso comercial a efectos de esta garantía. **Los equipos utilizados para suministrar energía en sustitución de un servicio público no pueden acogerse a esta garantía. Las limpiadoras a presión con alimentación eléctrica para fines comerciales no están cubiertas por la garantía.**

NO ES NECESARIO REGISTRAR LA GARANTÍA PARA OBTENER SERVICIO DE BRIGGS & STRATTON PRODUCTS. GUARDE SU RECIBO DE COMPRA. SI NO APORTA LA PRUEBA DE LA FECHA DE COMPRA INICIAL, SE UTILIZARÁ LA FECHA DE FABRICACIÓN DEL PRODUCTO PARA DETERMINAR EL PERÍODO DE GARANTÍA.

ACERCA DE LA EQUIPO GARANTÍA

Esperamos que disfrute de nuestra garantía y le pedimos disculpas por las molestias causadas. Cualquier distribuidor de servicio autorizado puede llevar a cabo reparaciones en garantía. La mayoría de las reparaciones en garantía se gestionan normalmente, pero algunas veces la solicitud de servicio en garantía puede no ser procedente. Por ejemplo, la garantía no será válida si el equipo presenta daños debidos al mal uso, la falta de mantenimiento, el transporte, la manipulación, el almacenamiento o la instalación inadecuados. De manera similar, la garantía quedará anulada si se ha borrado la fecha de fabricación o el número de serie del equipo, o si el equipo ha sido alterado o modificado. Durante el período de garantía, el distribuidor de servicio autorizado podrá reparar o sustituir, a su libre elección, cualquier pieza que, previa inspección, sea defectuosa en condiciones normales de uso y servicio. Esta garantía no cubre las reparaciones y equipos que se detallan a continuación:

- **Desgaste normal:** Al igual que cualquier otro aparato mecánico, los equipos de uso en exteriores necesitan piezas y mantenimiento periódicos para funcionar correctamente. Esta garantía no cubre las reparaciones cuando el uso normal haya agotado la vida útil de una pieza concreta del equipo.
- **Instalación y mantenimiento:** Esta garantía no cubre los equipos ni las piezas cuya instalación sea incorrecta o no haya sido autorizada, ni aquellos que hayan sido objeto de cualquier tipo de alteración, mal uso, negligencia, accidente, sobrecarga, exceso de velocidad o mantenimiento, reparación o almacenamiento inadecuados que, a nuestro juicio, haya afectado negativamente a su funcionamiento y su fiabilidad. La garantía tampoco cubre el mantenimiento normal, como los ajustes y la limpieza, o la obstrucción del sistema de combustión (debido a materias químicas, suciedad, carbón, cal, etc.).
- **Otras exclusiones:** También quedan excluidos de esta garantía el desgaste de los artículos tales como conectores, medidores de aceite, correas, juntas tóricas, filtros, juntas de bombas, etc., las bombas que se hayan hecho funcionar sin agua y los daños derivados de accidentes, uso indebido, modificaciones, alteraciones, servicio inadecuado, congelación o deterioro químico. Los accesorios tales como pistolas, mangueras, varillas y boquillas quedan excluidos de la garantía del producto. Esta garantía excluye los fallos debidos a hechos fortuitos y a otros acontecimientos de fuerza mayor que escapan al control del fabricante. También se excluyen los equipos usados o reacondicionados y los destinados a demostraciones; los equipos utilizados como fuente principal de energía en lugar de un servicio público y los equipos sanitarios destinados al mantenimiento de las constantes vitales.

BRIGGS & STRATTON POWER PRODUCTS GROUP, LLC
JEFFERSON, WI, EE.UU

Free Manuals Download Website

<http://myh66.com>

<http://usermanuals.us>

<http://www.somanuals.com>

<http://www.4manuals.cc>

<http://www.manual-lib.com>

<http://www.404manual.com>

<http://www.luxmanual.com>

<http://aubethermostatmanual.com>

Golf course search by state

<http://golfingnear.com>

Email search by domain

<http://emailbydomain.com>

Auto manuals search

<http://auto.somanuals.com>

TV manuals search

<http://tv.somanuals.com>