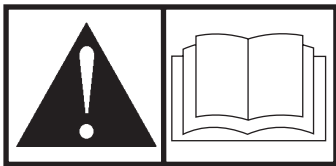




# 6200 Watt Portable Generator Operator's Manual



**BRIGGS & STRATTON POWER PRODUCTS GROUP, LLC**  
**JEFFERSON, WISCONSIN, U.S.A.**



Printed in U.S.A. Manual No. 197523GS Revision D (06/05/2007)

**Thank you** for purchasing this quality-built Briggs & Stratton generator. We are pleased that you've placed your confidence in the Briggs & Stratton brand. When operated and maintained according to the instructions in this manual, your Briggs & Stratton generator will provide many years of dependable service.

**This manual contains** safety information to make you aware of the hazards and risks associated with generator products and how to avoid them. This generator is designed and intended only for supplying electrical power for operating compatible electrical lighting, appliances, tools and motor loads, and is not intended for any other purpose. It is important that you read and understand these instructions thoroughly before attempting to start or operate this equipment. **Save these instructions for future reference.**

**This generator requires final assembly before use.** Refer to the *Assembly* section of this manual for instructions on final assembly procedures. Follow the instructions completely.

### Where to Find Us

You never have to look far to find Briggs & Stratton support and service for your generator. Consult your Yellow Pages. There are over 30,000 Briggs & Stratton authorized service dealers worldwide who provide quality service. You can also contact Briggs & Stratton Customer Service by phone at **(800) 743-4115** or on the Internet at [BRIGGSandSTRATTON.COM](http://BRIGGSandSTRATTON.COM).

### Generator

Model Number

--	--	--	--	--	--

Revision

--	--

Serial Number

--	--	--	--	--	--	--	--	--	--

### Engine

Model Number

--	--	--	--	--	--

Type Number

--	--	--	--	--	--

Code Number

--	--	--	--	--	--	--	--	--	--	--	--

### Date Purchased

--	--	--	--	--	--

Briggs & Stratton Power Products Group, LLC  
900 North Parkway  
Jefferson, WI 53549

Copyright © 2007 Briggs & Stratton Power Products Group, LLC. All rights reserved. No part of this material may be reproduced or transmitted in any form by any means without the express written permission of Briggs & Stratton Power Products Group, LLC.

# Table of Contents

<b>Operator Safety</b> .....	<b>4</b>
Equipment Description .....	4
Safety Rules .....	4
<b>Assembly</b> .....	<b>7</b>
Unpack Generator .....	7
Install Wheel Kit .....	7
Add Engine Oil .....	8
Add Fuel .....	8
Attach Negative Battery Cable .....	8
System Ground .....	9
Connecting to a Building's Electrical System .....	9
Generator Location .....	9
<b>Features and Controls</b> .....	<b>10</b>
Cord Sets and Receptacles .....	11
Battery Float Charger .....	12
<b>Operation</b> .....	<b>13</b>
Starting the Engine .....	13
Connecting Electrical Loads .....	14
Stopping the Engine .....	14
Don't Overload Generator .....	15
<b>Maintenance</b> .....	<b>16</b>
Maintenance Schedule .....	16
Generator Maintenance .....	16
Battery Maintenance .....	17
Engine Maintenance .....	17
Storage .....	20
<b>Troubleshooting</b> .....	<b>21</b>
<b>Warranties</b> .....	<b>22</b>
Emissions Control System Warranty .....	22
Generator Owner Warranty .....	24
<b>Specifications</b> .....	<b>26</b>
Product Specifications .....	26
Common Service Parts .....	26

Safety

Assembly

Controls

Operation

Maintenance

Troubleshooting

Warranty

Español

es

# Operator Safety

## Equipment Description



Read this manual carefully and become familiar with your generator. Know its applications, its limitations and any hazards involved.

The generator is an engine-driven, revolving field, alternating current (AC) generator. It was designed to supply electrical power for operating compatible electrical lighting, appliances, tools and motor loads. The generator's revolving field is driven at about 3,600 rpm by a single-cylinder engine.

### NOTICE

Exceeding generators wattage/amperage capacity can damage generator and/or electrical devices connected to it.

- DO NOT exceed the generator's wattage/amperage capacity. See *Don't Overload Generator* in the *Operation* section.

Every effort has been made to ensure that the information in this manual is both accurate and current. However, the manufacturer reserves the right to change, alter or otherwise improve the generator and this documentation at any time without prior notice.

The Emission Control System for this generator is warranted for standards set by the Environmental Protection Agency and the California Air Resources Board.

## Safety Rules

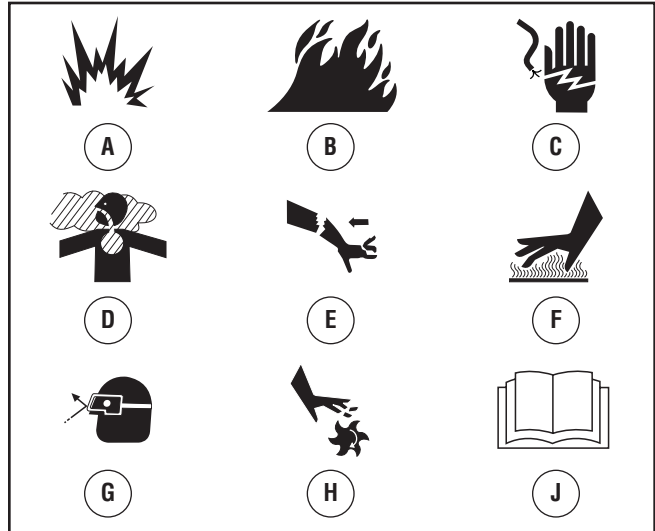


This is the safety alert symbol. It is used to alert you to potential personal injury hazards. Obey all safety messages that follow this symbol to avoid possible injury or death.

The safety alert symbol (▲) is used with a signal word (**DANGER**, **WARNING**, **CAUTION**), a pictorial and/or a safety message to alert you to hazards. **DANGER** indicates a hazard which, if not avoided, will result in death or serious injury. **WARNING** indicates a hazard which, if not avoided, could result in death or serious injury. **CAUTION** indicates a hazard which, if not avoided, might result in minor or moderate injury. **NOTICE** indicates a situation that could result in equipment damage. Follow safety messages to avoid or reduce the risk of injury or death.

The manufacturer cannot possibly anticipate every possible circumstance that might involve a hazard. The warnings in this manual, and the tags and decals affixed to the unit are, therefore, not all-inclusive. If you use a procedure, work method or operating technique that the manufacturer does not specifically recommend, you must satisfy yourself that it is safe for you and others. You must also make sure that the procedure, work method or operating technique that you choose does not render the generator unsafe.

## Hazard Symbols and Meanings



- A - Explosion
- B - Fire
- C - Electric Shock
- D - Toxic Fumes
- E - Kickback

- F - Hot Surface
- G - Flying Objects
- H - Moving Parts
- J - Read Manual

**▲ DANGER**

**Using a generator indoors CAN KILL YOU IN MINUTES.**

Generator exhaust contains carbon monoxide. This is a poison you cannot see or smell.

**NEVER** use inside a home or garage, **EVEN IF** doors and windows are open.


Only use **OUTSIDE** and far away from windows, doors, and vents.



**▲ WARNING**



Running engine gives off carbon monoxide, an odorless, colorless, poison gas.




Breathing carbon monoxide can cause headache, fatigue, dizziness, vomiting, confusion, seizures, nausea, fainting or death.

- Operate generator **ONLY** outdoors.
- Install a battery operated carbon monoxide alarm near the bedrooms.
- Keep exhaust gas from entering a confined area through windows, doors, ventilation intakes, or other openings.
- **DO NOT** start or run engine indoors or in an enclosed area, (even if windows and doors are open), including the generator compartment of a recreational vehicle (RV).




 <b>WARNING</b>	
The engine exhaust from this product contains chemicals known to the State of California to cause cancer, birth defects, or other reproductive harm.	

 <b>WARNING</b>	
	Generator produces hazardous voltage. Failure to isolate generator from power utility can result in death or injury to electric utility workers due to backfeed of electrical energy.
<ul style="list-style-type: none"> <li>• When using generator for backup power, notify utility company. Use approved transfer equipment to isolate generator from electric utility.</li> <li>• Use a ground fault circuit interrupter (GFCI) in any damp or highly conductive area, such as metal decking or steel work.</li> <li>• DO NOT touch bare wires or receptacles.</li> <li>• DO NOT use generator with electrical cords which are worn, frayed, bare or otherwise damaged.</li> <li>• DO NOT operate generator in the rain or wet weather.</li> <li>• DO NOT handle generator or electrical cords while standing in water, while barefoot, or while hands or feet are wet.</li> <li>• DO NOT allow unqualified persons or children to operate or service generator.</li> </ul>	



 <b>WARNING</b>	
	Starter cord kickback (rapid retraction) can result in bodily injury. Kickback will pull hand and arm toward engine faster than you can let go. Broken bones, fractures, bruises, or sprains could result.
<ul style="list-style-type: none"> <li>• When starting engine, pull cord slowly until resistance is felt and then pull rapidly to avoid kickback.</li> <li>• NEVER start or stop engine with electrical devices plugged in and turned on.</li> </ul>	


 <b>WARNING</b>	
	Fuel and its vapors are extremely flammable and explosive.
	Fire or explosion can cause severe burns or death.
<b>WHEN ADDING OR DRAINING FUEL</b>	
<ul style="list-style-type: none"> <li>• Turn generator OFF and let it cool at least 2 minutes before removing fuel cap. Loosen cap slowly to relieve pressure in tank.</li> <li>• Fill or drain fuel tank outdoors.</li> <li>• DO NOT overfill tank. Allow space for fuel expansion.</li> <li>• If fuel spills, wait until it evaporates before starting engine.</li> <li>• Keep fuel away from sparks, open flames, pilot lights, heat, and other ignition sources.</li> <li>• DO NOT light a cigarette or smoke.</li> </ul>	
<b>WHEN STARTING EQUIPMENT</b>	
<ul style="list-style-type: none"> <li>• Ensure spark plug, muffler, fuel cap, and air cleaner are in place.</li> <li>• DO NOT crank engine with spark plug removed.</li> </ul>	
<b>WHEN OPERATING EQUIPMENT</b>	
<ul style="list-style-type: none"> <li>• DO NOT tip engine or equipment at angle which causes fuel to spill.</li> <li>• This generator is not for use in mobile equipment or marine applications.</li> </ul>	
<b>WHEN TRANSPORTING OR REPAIRING EQUIPMENT</b>	
<ul style="list-style-type: none"> <li>• Transport/repair with fuel tank EMPTY or with fuel shutoff valve OFF.</li> <li>• Disconnect spark plug wire.</li> </ul>	
<b>WHEN STORING FUEL OR EQUIPMENT WITH FUEL IN TANK</b>	
<ul style="list-style-type: none"> <li>• Store away from furnaces, stoves, water heaters, clothes dryers, or other appliances that have pilot light or other ignition source because they can ignite fuel vapors.</li> </ul>	

 <b>WARNING</b>	
<ul style="list-style-type: none"> <li>• This generator does not meet U. S. Coast Guard Regulation 33CFR-183 and should not be used on marine applications.</li> <li>• Failure to use the appropriate U. S. Coast Guard approved generator could result in death or serious injury and/or property damage.</li> </ul>	

 <b>WARNING</b>	
	Contact with muffler area can result in serious burns.
	Exhaust heat/gases can ignite combustibles, structures or damage fuel tank causing a fire.
<ul style="list-style-type: none"> <li>• DO NOT touch hot parts and AVOID hot exhaust gases.</li> <li>• Allow equipment to cool before touching.</li> <li>• Keep at least 5 feet (1.5 m) of clearance on all sides of generator including overhead.</li> <li>• Code of Federal Regulation (CFR) Title 36 Parks, Forests, and Public Property require equipment powered by an internal combustion engine to have a spark arrester, maintained in effective working order, complying to USDA Forest service standard 5100-1C or later revision. In the State of California a spark arrester is required under section 4442 of the California Public resources code. Other states may have similar laws.</li> </ul>	

 <b>WARNING</b>	
	Starter and other rotating parts can entangle hands, hair, clothing, or accessories.
<ul style="list-style-type: none"> <li>• NEVER operate generator without protective housing or covers.</li> <li>• DO NOT wear loose clothing, jewelry or anything that may be caught in the starter or other rotating parts.</li> <li>• Tie up long hair and remove jewelry.</li> </ul>	

 <b>WARNING</b>	
	Unintentional sparking can result in fire or electric shock.
<p><b>WHEN ADJUSTING OR MAKING REPAIRS TO YOUR GENERATOR</b></p> <ul style="list-style-type: none"> <li>• Disconnect the spark plug wire from the spark plug and place the wire where it cannot contact spark plug.</li> </ul> <p><b>WHEN TESTING FOR ENGINE SPARK</b></p> <ul style="list-style-type: none"> <li>• Use approved spark plug tester.</li> <li>• DO NOT check for spark with spark plug removed.</li> </ul>	

 <b>CAUTION</b>	
Excessively high operating speeds increase risk of injury and damage to generator.	
Excessively low speeds impose a heavy load.	
<ul style="list-style-type: none"> <li>• DO NOT tamper with governed speed. Generator supplies correct rated frequency and voltage when running at governed speed.</li> <li>• DO NOT modify generator in any way.</li> </ul>	

<b>NOTICE</b>	
Exceeding generators wattage/amperage capacity can damage generator and/or electrical devices connected to it.	
<ul style="list-style-type: none"> <li>• DO NOT exceed the generator's wattage/amperage capacity. See <i>Don't Overload Generator</i> in the <i>Operation</i> section.</li> <li>• Start generator and let engine stabilize before connecting electrical loads.</li> <li>• Connect electrical loads in OFF position, then turn ON for operation.</li> <li>• Turn electrical loads OFF and disconnect from generator before stopping generator.</li> </ul>	

<b>NOTICE</b>	
Improper treatment of generator can damage it and shorten its life.	
<ul style="list-style-type: none"> <li>• Use generator only for intended uses.</li> <li>• If you have questions about intended use, ask dealer or contact local service center.</li> <li>• Operate generator only on level surfaces.</li> <li>• DO NOT expose generator to excessive moisture, dust, dirt, or corrosive vapors.</li> <li>• DO NOT insert any objects through cooling slots.</li> <li>• If connected devices overheat, turn them off and disconnect them from generator.</li> <li>• Shut off generator if:             <ul style="list-style-type: none"> <li>-electrical output is lost;</li> <li>-equipment sparks, smokes, or emits flames;</li> <li>-unit vibrates excessively.</li> </ul> </li> </ul>	

# Assembly

Your generator requires some assembly and is ready for use after it has been properly serviced with the recommended fuel and oil.

If you have any problems with the assembly of your generator, please call the generator helpline at **(800) 743-4115**. If calling for assistance, please have the model, revision, and serial number from the data tag available. See *Generator Controls and Features* for data tag location.

## Unpack Generator

1. Set the carton on a rigid, flat surface.
2. Remove everything from carton except generator.
3. Open carton completely by cutting each corner from top to bottom.
4. Leave generator on carton to install wheel kit.

## The generator is supplied with:

- Operator's manual
- Battery float charger
- Oil bottle
- Wheel kit

## Install Wheel Kit

**NOTE:** Wheel kit is not intended for over-the-road use.

You will need the following tools to install these components:

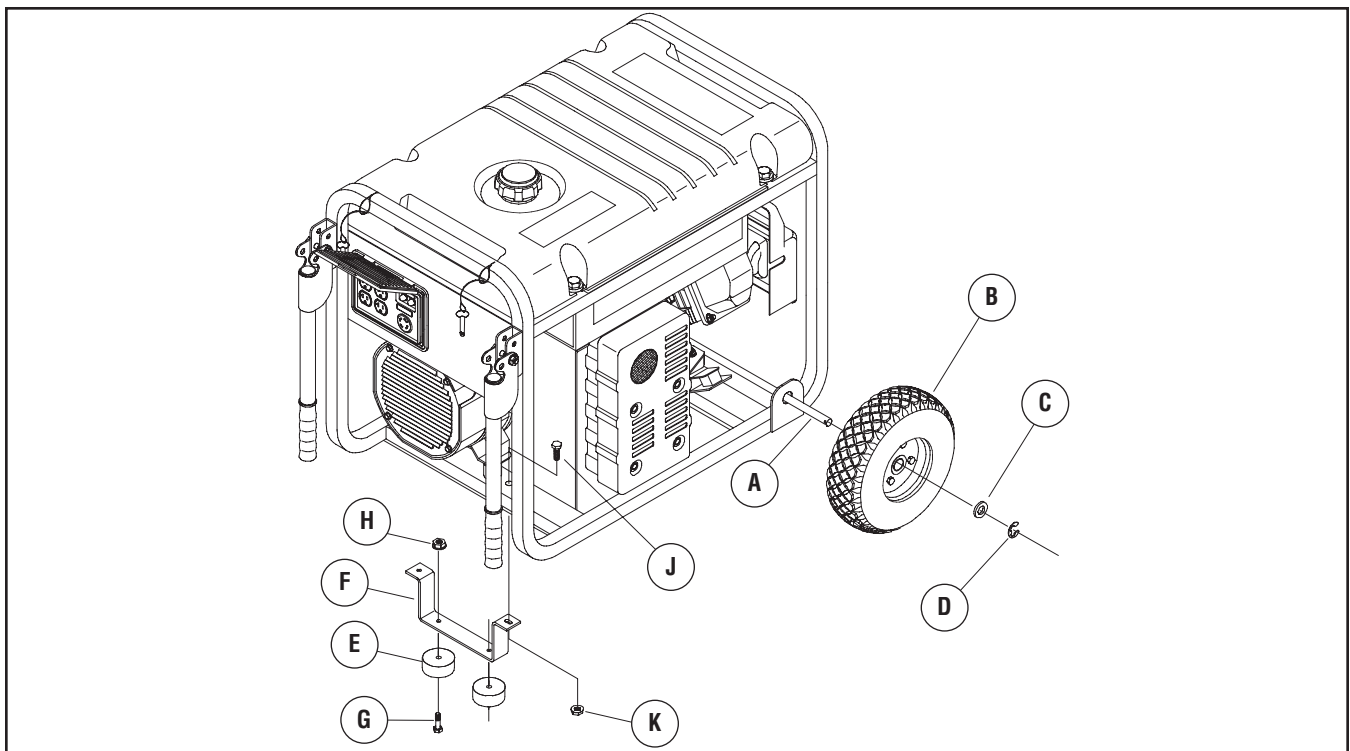
- 7/16" and 13 mm wrenches
- Socket wrench with 7/16" and 13 mm sockets
- Pliers
- Safety glasses

## Install the wheel kit as follows:

1. Tip generator so that engine end is up.
2. Slide axle (A) through both mounting brackets.
3. Place a wheel (B) on each side as shown below.
4. Place a washer (C) on axle and then place an e-ring (D) in axle groove.

 <b>CAUTION</b>	
	E-rings can cause eye injury.
	E-rings can spring back and become airborne when installing or removing.
• Always wear eye protection when installing/removing e-rings.	

5. Install e-ring with pliers, squeezing from top of e-ring to bottom of axle.
6. Repeat steps 4 and 5 to secure second wheel.
7. Tip generator so that engine side is down.
8. Attach the vibration mounts (E) to the support leg (F) with 1/4-20 x 1" capscrews (G) and 1/4-20 lock nuts (H).
9. Remove existing locknut from left unit vibration mount with 13mm wrench. Use same locknut to attach support leg.
10. Attach other side of support leg with a M8 x 20 mm capscrew (J) and M8 lock nut (K).
11. Return generator to normal operating position (resting on wheels and support leg).



## Add Engine Oil

1. Place generator on a flat, level surface.
2. Clean area around oil fill and remove yellow oil fill cap.

**NOTE:** See the section *Oil* to review oil recommendations. Verify provided oil bottle is correct viscosity for current ambient temperature.

3. Using oil funnel (optional), slowly pour contents of provided oil bottle into oil fill opening.

<b>NOTICE</b>
Improper treatment of generator can damage it and shorten its life.
<ul style="list-style-type: none"> <li>• DO NOT attempt to crank or start the engine before it has been properly serviced with the recommended oil. This may result in an engine failure.</li> </ul>

4. Replace oil fill cap and fully tighten.




## Add Fuel

### Fuel must meet these requirements:

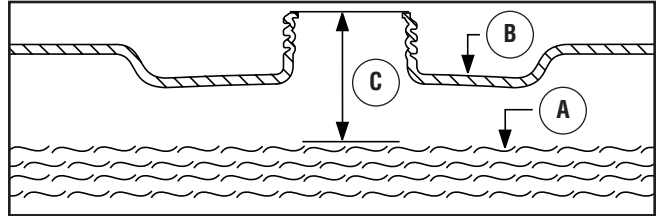
- Clean, fresh, unleaded gasoline.
- A minimum of 87 octane/87 AKI (91 RON). High altitude use, see *High Altitude*.
- Gasoline with up to 10% ethanol (gasohol) or up to 15% MTBE (methyl tertiary butyl ether) is acceptable.

<b>NOTICE</b>
Avoid generator damage.
Failure to follow Operator's Manual for fuel recommendations voids warranty.
<ul style="list-style-type: none"> <li>• DO NOT use unapproved gasoline such as E85.</li> <li>• DO NOT mix oil in gasoline.</li> <li>• DO NOT modify engine to run on alternate fuels.</li> </ul>

To protect the fuel system from gum formation, mix in a fuel stabilizer when adding fuel. See *Storage*. All fuel is not the same. If you experience starting or performance problems after using fuel, switch to a different fuel provider or change brands. This engine is certified to operate on gasoline. The emission control system for this engine is EM (Engine Modifications).

 <b>WARNING</b>	
	Fuel and its vapors are extremely flammable and explosive.
	Fire or explosion can cause severe burns or death.
<b>WHEN ADDING FUEL</b>	
<ul style="list-style-type: none"> <li>• Turn generator OFF and let it cool at least 2 minutes before removing fuel cap. Loosen cap slowly to relieve pressure in tank.</li> <li>• Fill fuel tank outdoors.</li> <li>• DO NOT overfill tank. Allow space for fuel expansion.</li> <li>• If fuel spills, wait until it evaporates before starting engine.</li> <li>• Keep fuel away from sparks, open flames, pilot lights, heat, and other ignition sources.</li> <li>• DO NOT light a cigarette or smoke.</li> </ul>	

1. Clean area around fuel fill cap, remove cap.
2. Slowly add unleaded gasoline (A) to fuel tank (B). Be careful not to overfill. Allow about 1.5" (4 cm) of tank space (C) for fuel expansion.



3. Install fuel cap and let any spilled fuel evaporate before starting engine.

## High Altitude

At altitudes over 5,000 feet (1524 meters), a minimum 85 octane / 85 AKI (89 RON) gasoline is acceptable. To remain emissions compliant, high altitude adjustment is required. Operation without this adjustment will cause decreased performance, increased fuel consumption, and increased emissions. See an authorized dealer for high altitude adjustment information. Operation of the engine at altitudes below 2,500 feet (762 meters) with the high altitude kit is not recommended.

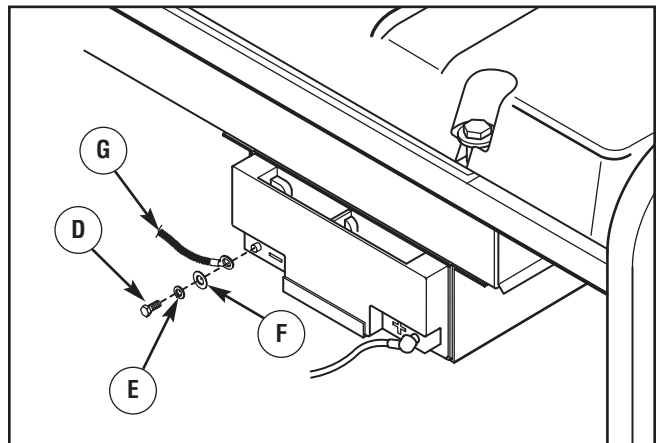
## Attach Negative Battery Cable

Your unit is equipped with electric start capability, but can be started manually. If you choose not to use the electric start feature, you do not need to connect the negative battery cable.

The sealed battery on the generator pre-installed except for the negative (black) battery cable.

### To install:

1. Cut off tie wrap securing loose end of negative (black) cable.
2. Remove screw (D), lock washer (E) and flat washer (F) on negative battery terminal.



3. Slide lock washer, flat washer and negative battery cable (G) over screw.
4. Reattach screw to negative battery terminal and tighten.



- Verify that connections to battery and generator are tight and secure.

**NOTE:** Charge prior to use following the instructions in the section *Battery Float Charger*.

### System Ground

The generator has a system ground that connects the generator frame components to the ground terminals on the AC output receptacles. The system ground is connected to the AC neutral wire (the neutral is bonded to the generator frame).


### Special Requirements

There may be Federal or State Occupational Safety and Health Administration (OSHA) regulations, local codes, or ordinances that apply to the intended use of the generator. Please consult a qualified electrician, electrical inspector, or the local agency having jurisdiction:

- In some areas, generators are required to be registered with local utility companies.
- If the generator is used at a construction site, there may be additional regulations which must be observed.


### Connecting to a Building's Electrical System

Connections for standby power to a building's electrical system must be made by a qualified electrician. The connection must isolate the generator power from utility power or other alternative power sources and must comply with all applicable laws and electrical codes.


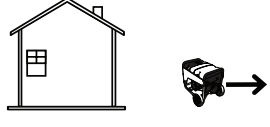
<b>⚠ WARNING</b>	
	Generator produces hazardous voltage. Failure to isolate generator from power utility can result in death or injury to electric utility workers due to backfeed of electrical energy.
<ul style="list-style-type: none"> <li>When using generator for backup power, notify utility company. Use approved transfer equipment to isolate generator from electric utility.</li> <li>Use a ground fault circuit interrupter (GFCI) in any damp or highly conductive area, such as metal decking or steel work.</li> <li>DO NOT touch bare wires or receptacles.</li> <li>DO NOT use generator with electrical cords which are worn, frayed, bare or otherwise damaged.</li> <li>DO NOT operate generator in the rain or wet weather.</li> <li>DO NOT handle generator or electrical cords while standing in water, while barefoot, or while hands or feet are wet.</li> <li>DO NOT allow unqualified persons or children to operate or service generator.</li> </ul>	

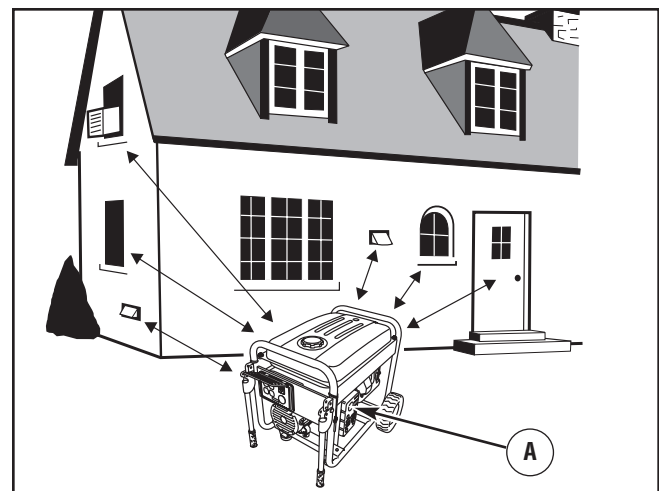
## Generator Location

### Clearances and Air Movement

<b>⚠ WARNING</b>	
	Exhaust heat/gases can ignite combustibles, structures or damage fuel tank causing a fire.
<ul style="list-style-type: none"> <li>Keep at least 5 ft. (1.5 m) clearance on all sides of generator including overhead.</li> </ul>	

Place generator outdoors in an area that will not accumulate deadly exhaust gas. DO NOT place generator where exhaust gas (A) could accumulate and enter inside or be drawn into a potentially occupied building. Ensure exhaust gas is kept away from any windows, doors, ventilation intakes, or other openings that can allow exhaust gas to collect in a confined area. Prevailing winds and air currents should be taken into consideration when positioning generator.

<b>⚠ DANGER</b>	
<b>Using a generator indoors CAN KILL YOU IN MINUTES.</b> Generator exhaust contains carbon monoxide. This is a poison you cannot see or smell.	
 <b>NEVER use inside a home or garage, EVEN IF doors and windows are open.</b>	 <b>Only use OUTSIDE and far away from windows, doors, and vents.</b>

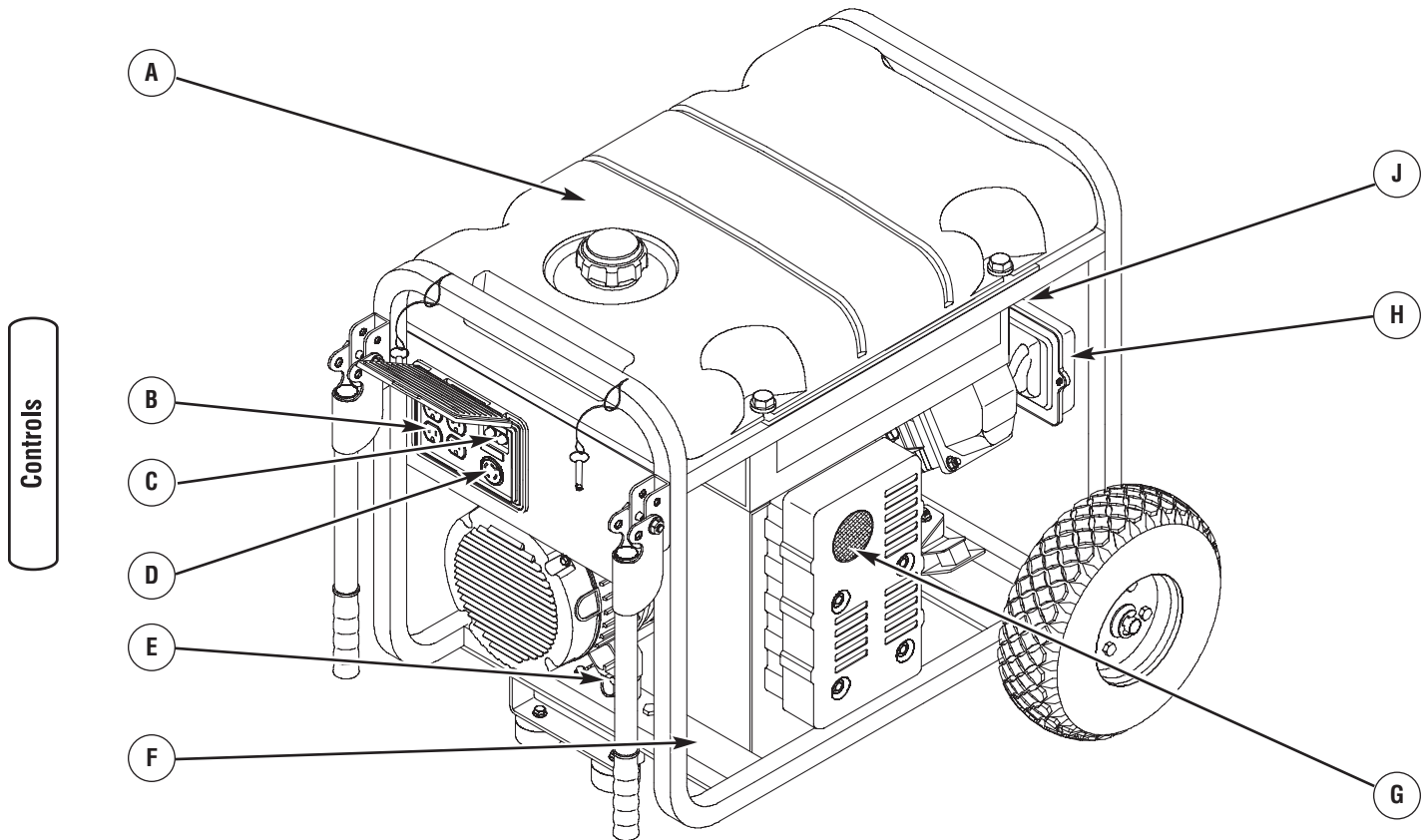


## Features and Controls



Read this Operator's Manual and safety rules before operating your generator.

Compare the illustrations with your generator, to familiarize yourself with the locations of various controls and adjustments. Save this manual for future reference.



**A - Fuel Tank** — Capacity of seven (7) U.S. gallons (26.5 L).

**B - 120 Volt AC, 20 Amp, Duplex Receptacles** — May be used to supply electrical power for the operation of 120 Volt AC, 20 Amp, single phase, 60 Hz electrical, lighting, appliance, tool, and motor loads.

**C - Circuit Breakers (AC)** — Push-to-reset circuit breakers are provided to protect generator against electrical overload.

**D - 120/240 Volt AC, 30 Amp Locking Receptacle** — May be used to supply electrical power for the operation of 120 and/or 240 Volt AC, 30 Amp, single phase, 60 Hz electrical, lighting, appliance, tool and motor loads.

**E - Grounding Fastener** — Consult your local agency having jurisdiction for grounding requirements in your area.

**F - Data Tag** — Provides model, revision, and serial number of generator. Please have these readily available when calling for assistance.

**G - Spark Arrester Muffler** — Exhaust muffler lowers engine noise and is equipped with a spark arrester screen.

**H - Air Cleaner** — Protects engine by filtering dust and debris out of intake air.

**J - Choke Lever** — Used when starting a cold engine.

### Items Not Shown:

**Battery Float Charger Jack** — Use battery float charger to keep the starting battery charged and ready for use.

**Engine Identification** — Provides model, type and code of engine. Please have these readily available if calling for assistance.

**Engine Rocker Switch** — Set this switch to “On” before using recoil starter. Set switch to “Off” to stop engine.

**Fuel Valve** — Used to turn fuel supply on and off to engine.

**Oil Drain Plug** — Drain engine oil here.

**Oil Fill Cap** — Check and fill engine with oil here.

**Recoil Starter** — Used to start the engine.



**Start Button** — Push and hold in start position for a maximum of 15 seconds during each start attempt, until engine starts.

## Cord Sets and Receptacles

Use only high quality, well-insulated, grounded extension cords with the generator's 120 Volt duplex receptacle. Inspect extension cords before each use.

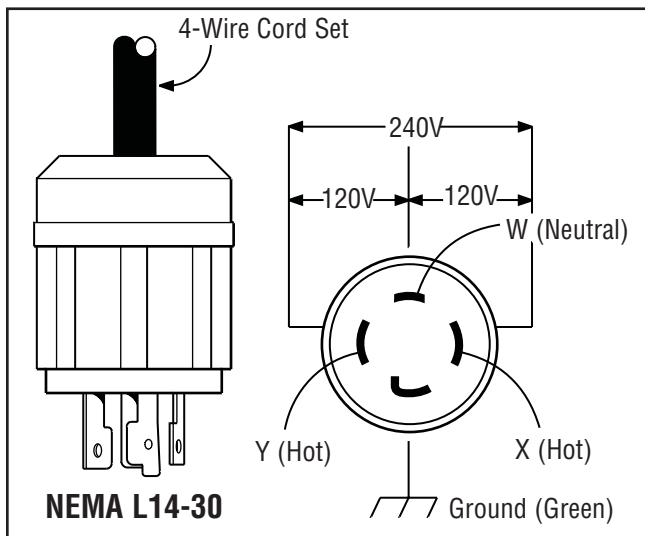
Check the ratings of all extension cords before you use them. Extension cord sets used should be rated for 125 Volt AC loads at 20 Amps or greater for most electrical devices. Some devices, however, may not require this type of extension cord. Check the operator's manuals of those devices for the manufacturer's recommendations.

Keep extension cords as short as possible to minimize voltage drop.

 <b>WARNING</b>	
	Overloaded electrical cords can overheat, arc, and burn resulting in death, bodily injury, and/or property damage.
<ul style="list-style-type: none"> <li>• ONLY use cords rated for your loads.</li> <li>• Follow all safeties on electrical cords.</li> </ul>	

### 120/240 Volt AC, 30 Amp, Locking Receptacle

Use a NEMA L14-30 plug with this receptacle. Connect a 4-wire cord set rated for 250 Volt AC loads at 30 Amps (or greater). You can use the same 4-wire cord if you plan to run a 120 Volt load.

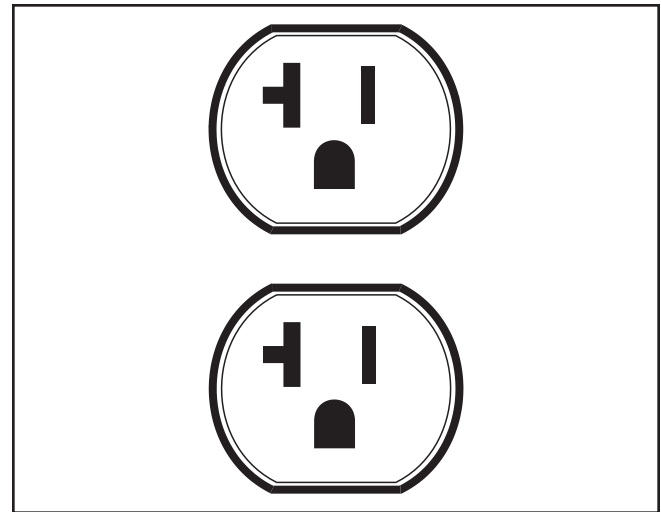


This receptacle powers 120/240 Volt AC, 60 Hz, single phase loads requiring up to 6,200 watts of power (6.2 kW) at 25.8 Amps for 240 Volts or two independent 120 Volt loads at 25.8 Amps each. The outlet is protected by a push-to-reset circuit breaker.

<b>NOTICE</b>
Receptacles may be marked with rating value greater than generator output capacity.
<ul style="list-style-type: none"> <li>• NEVER attempt to power a device requiring more amperage than generator or receptacle can supply.</li> <li>• DO NOT overload the generator. See <i>Don't Overload Generator</i>.</li> </ul>

### 120 Volt AC, 20 Amp, Duplex Receptacles

Both duplex receptacles are protected against overload by a push-to-reset circuit breaker.



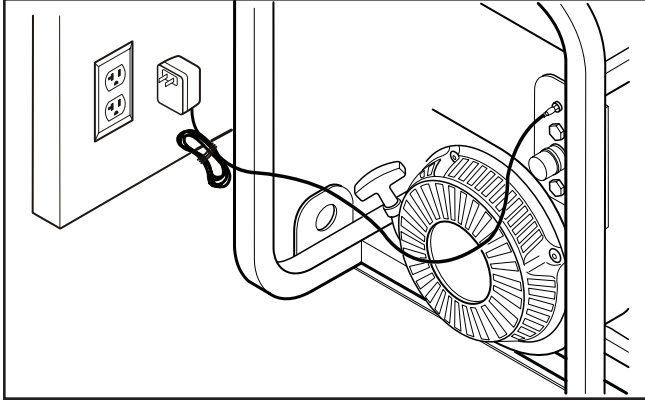
Use each receptacle to operate 120 Volt AC, single-phase, 60 Hz electrical loads requiring up to 2,400 watts (2.4 kW) at 20 Amps of current. Use cord sets that are rated for 125 Volt AC loads at 20 Amps (or greater). Inspect cord sets before each use.

Controls

## Battery Float Charger

Use battery float charger jack to keep the starting battery charged and ready for use. Battery charging should be done in a dry location, such as inside a garage.

1. Plug charger into unit's "Battery Float Charger" jack, which is located next to the start switch. Plug battery charger into a 120 Volt AC wall receptacle.



Controls

2. Unplug charger from unit and wall outlet when generator is being started and while it is in operation.
3. Keep this charger plugged in when generator is not in use to prolong battery life. The charger has a built in float equalizer and will not overcharge the battery, even when plugged in for an extended period of time.

**IMPORTANT:** See *Battery Maintenance* for additional information.

# Operation

## Starting the Engine

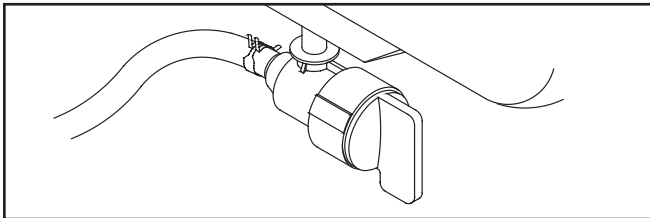
**IMPORTANT:** Always unplug the battery float charger before starting the generator.

Disconnect all electrical loads from the generator. Use the following start instructions:

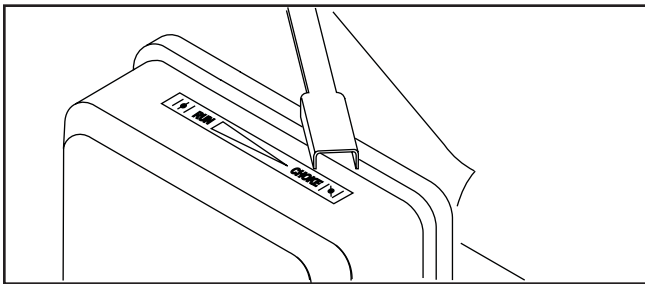
1. Make sure unit is on a level surface.

**IMPORTANT:** Failure to start and operate the unit on a level surface will cause the unit not to start or shut down during operation.

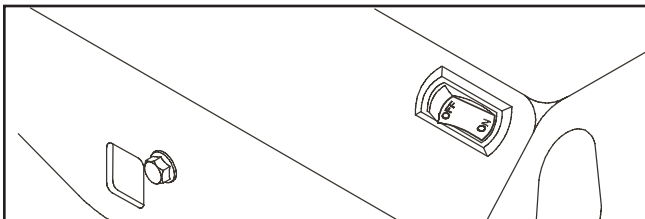
2. Turn the fuel valve to the “On” position. The fuel valve handle should be vertical (pointing toward the ground) for fuel to flow.



3. Push choke lever to “Choke” position (I\|).



4. Push engine rocker switch to “On”.





5A. **For electric starting**, push and hold the start button in start position until generator starts. To prolong the life of starter components, DO NOT hold start switch in start position for more than 15 seconds, and pause for at least 1 minute between starting attempts.

- If engine starts, proceed to step 7.
- If engine fails to start, proceed to step 6.

**NOTE:** If battery is discharged, use manual starting instructions.

5B. **For manual starting**, grasp recoil handle and pull slowly until slight resistance is felt. Then pull rapidly one time only to start engine.

- If engine starts, proceed to step 7.
- If engine fails to start, proceed to step 6.

 <b>WARNING</b>	
	Starter cord kickback (rapid retraction) can result in bodily injury. Kickback will pull hand and arm toward engine faster than you can let go. Broken bones, fractures, bruises, or sprains could result.
<ul style="list-style-type: none"><li>• When starting engine, pull cord slowly until resistance is felt and then pull rapidly to avoid kickback.</li><li>• NEVER start or stop engine with electrical devices plugged in and turned on.</li></ul>	




6. Move choke lever to “Half” choke position, and pull recoil handle twice.

- If engine fails to start, repeat steps 5 thru 7.

7. Slowly move choke lever to “Run” position (|↑|). If engine falters, move choke lever to “Half” choke position until engine runs smoothly, and then to “Run” position (|↑|).

**IMPORTANT:** If engine floods, place choke lever in “Run” position (|↑|) and crank until engine starts.

**NOTE:** If engine starts after 3 pulls but fails to run, or if unit shuts down during operation, make sure unit is on a level surface and check for proper oil level in crankcase. This unit may be equipped with a low oil protection device. If so, oil must be at proper level for engine to start.

 <b>WARNING</b>	
	Contact with muffler area can result in serious burns.
	Exhaust heat/gases can ignite combustibles, structures or damage fuel tank causing a fire.
<ul style="list-style-type: none"><li>• DO NOT touch hot parts and AVOID hot exhaust gases.</li><li>• Allow equipment to cool before touching.</li><li>• Keep at least 5 feet (1.5 m) of clearance on all sides of generator including overhead.</li><li>• Code of Federal Regulation (CFR) Title 36 Parks, Forests, and Public Property require equipment powered by an internal combustion engine to have a spark arrester, maintained in effective working order, complying to USDA Forest service standard 5100-1C or later revision. In the State of California a spark arrester is required under section 4442 of the California Public resources code. Other states may have similar laws.</li></ul>	

### Connecting Electrical Loads

1. Let engine stabilize and warm up for a few minutes after starting.
2. Plug in and turn on the desired 120 and/or 240 Volt AC, single phase, 60 Hz electrical loads.



**NOTE:**

- DO NOT connect 240 Volt loads to the 120 Volt duplex receptacles.
- DO NOT connect 3-phase loads to the generator.
- DO NOT connect 50 Hz loads to the generator.
- DO NOT OVERLOAD THE GENERATOR. See *Don't Overload Generator*.

<b>NOTICE</b>
Exceeding generators wattage/amperage capacity can damage generator and/or electrical devices connected to it.
<ul style="list-style-type: none"> <li>• DO NOT exceed the generator's wattage/amperage capacity. See <i>Don't Overload Generator</i> in the <i>Operation</i> section.</li> <li>• Start generator and let engine stabilize before connecting electrical loads.</li> <li>• Connect electrical loads in OFF position, then turn ON for operation.</li> <li>• Turn electrical loads OFF and disconnect from generator before stopping generator.</li> </ul>

### Stopping the Engine

1. Turn OFF and unplug all electrical loads from generator panel receptacles. NEVER start or stop engine with electrical devices plugged in and turned ON.
2. Let engine run at no-load for several minutes to stabilize internal temperatures of engine and generator.
3. Push engine rocker switch to "Off" position.

 <b>WARNING</b>	
	Backfire, fire or engine damage could occur.
<ul style="list-style-type: none"> <li>• DO NOT stop engine by moving choke control to "Choke" position (I\I).</li> </ul>	

4. Move fuel valve to "Off" position.

## Don't Overload Generator

### Capacity

You must make sure your generator can supply enough rated (running) and surge (starting) watts for the items you will power at the same time. Follow these simple steps:

1. Select the items you will power at the same time.
2. Total the rated (running) watts of these items. This is the amount of power your generator must produce to keep your items running. See Wattage Reference Guide.
3. Estimate how many surge (starting) watts you will need. Surge wattage is the short burst of power needed to start electric motor-driven tools or appliances such as a circular saw or refrigerator. Because not all motors start at the same time, total surge watts can be estimated by adding only the item(s) with the highest additional surge watts to the total rated watts from step 2.

### Example:

Tool or Appliance	Rated (Running) Watts	Additional Surge (Starting) Watts
Window Air Conditioner	1200	1800
Refrigerator	800	1600
Deep Freezer	500	500
Television	500	—
Light (75 Watts)	75	—
	3075 Total Running Watts	1800 Highest Surge Watts

Total Rated (Running) Watts = 3075  
 Highest Additional Surge Watts = 1800  
 Total Generator Output Required = 4875

### Power Management

To prolong the life of your generator and attached devices, it is important to take care when adding electrical loads to your generator. There should be nothing connected to the generator outlets before starting its engine. The correct and safe way to manage generator power is to sequentially add loads as follows:

1. With nothing connected to the generator, start the engine as described in this manual.
2. Plug in and turn on the first load, preferably the largest load you have.
3. Permit the generator output to stabilize (engine runs smoothly and attached device operates properly).
4. Plug in and turn on the next load.
5. Again, permit the generator to stabilize.
6. Repeat steps 4 and 5 for each additional load.

NEVER add more loads than the generator capacity. Take special care to consider surge loads in generator capacity, as described above.

Wattage Reference Guide		
Tool or Appliance	Rated* (Running) Watts	Additional Surge (Starting) Watts
<b>Essentials</b>		
Light Bulb - 75 watt	75	—
Deep Freezer	500	500
Sump Pump	800	1200
Refrigerator/Freezer - 18 cf	800	1600
Water Well Pump - 1/3 hp	1000	2000
<b>Heating/Cooling</b>		
Window AC - 10,000 BTU	1200	1800
Window Fan	300	600
Furnace Fan Blower - 1/2 hp	800	1300
<b>Kitchen</b>		
Microwave Oven - 1000 Watt	1000	—
Coffee Maker	1500	—
Electric Stove - Single Element	1500	—
Hot Plate	2500	—
<b>Family Room</b>		
DVD/CD Player	100	—
VCR	100	—
Stereo Receiver	450	—
Color Television - 27 in	500	—
Personal Computer w/17 in monitor	800	—
<b>Other</b>		
Security System	180	—
AM/FM Clock Radio	300	—
Garage Door Opener - 1/2 hp	480	520
Electric Water Heater - 40 gallon	4000	—
<b>DIY/Job Site</b>		
Quartz Halogen Work Light	1000	—
Airless Sprayer - 1/3 hp	600	1200
Reciprocating Saw	960	960
Electric Drill - 1/2 hp	1000	1000
Circular Saw - 7-1/4 in	1500	1500
Miter Saw - 10 in	1800	1800
Table Planer - 6 in	1800	1800
Table Saw/Radial Arm Saw - 10 in	2000	2000
Air Compressor - 1-1/2 hp	2500	2500

\* Wattages listed are approximate only. Check tool or appliance for actual wattage.

# Maintenance

## Maintenance Schedule

Follow the hourly or calendar intervals, whichever occurs first. More frequent service is required when operating in adverse conditions noted below.

Maintenance Schedule - Fill in Dates as You Complete Regular Service								
Maintenance Task	Service Intervals					Service Dates		
	Before Each Use	Every 25 Hours or Yearly	Every 50 Hours or Yearly	Every 100 Hours or Yearly	Every 250 Hours or Yearly			
Clean debris	X							
Check oil level	X							
Change engine oil			X <sup>1</sup>					
Service air cleaner		X <sup>2</sup>						
Service spark plug				X				
Service spark arrester				X				
Clean cooling system				X <sup>2</sup>				
Check valve clearance					X			
Prepare for storage	If unit is to remain idle for longer than 30 days.							

<sup>1</sup> Change oil after the first (5) operating hours and every 50 hours or every year, whichever occurs first, thereafter. Change oil sooner when operating under dirty or dusty conditions.

<sup>2</sup> Replace more often under dirty or dusty conditions.

### General Recommendations

Regular maintenance will improve the performance and extend the life of the generator. See an authorized dealer for service.

The generator's warranty does not cover items that have been subjected to operator abuse or negligence. To receive full value from the warranty, the operator must maintain the generator as instructed in this manual.

Some adjustments will need to be made periodically to properly maintain your generator.

All service and adjustments should be made at least once each season. Follow the requirements in the Maintenance Schedule chart above.

**NOTE:** Once a year you should clean or replace the spark plug and replace the air filter. A new spark plug and clean air filter assure proper fuel-air mixture and help your engine run better and last longer.

### Emissions Control

**Maintenance, replacement, or repair of the emissions control devices and systems may be performed by any non-road engine repair establishment or individual.**

However, to obtain "no charge" emissions control service, the work must be performed by a factory authorized dealer. See the *Emissions Warranty*.

### Generator Maintenance

Generator maintenance consists of keeping the unit clean and dry. Operate and store the unit in a clean dry environment where it will not be exposed to excessive dust, dirt, moisture, or any corrosive vapors. Cooling air slots in the generator must not become clogged with snow, leaves, or any other foreign material.

**NOTE:** DO NOT use water or other liquids to clean generator. Liquids can enter engine fuel system, causing poor performance and/or failure to occur. In addition, if liquid enters generator through cooling air slots, some of the liquid will be retained in voids and cracks of the rotor and stator winding insulation. Liquid and dirt buildup on the generator internal windings will eventually decrease the insulation resistance of these windings.

### Cleaning

Daily or before use, look around and underneath the generator for signs of oil or fuel leaks. Clean accumulated debris from inside and outside the generator. Keep the linkage, spring and other engine controls clean. Inspect cooling air slots and openings on generator. These openings must be kept clean and unobstructed.

Engine parts should be kept clean to reduce the risk of overheating and ignition of accumulated debris:

- Use a damp cloth to wipe exterior surfaces clean.



## NOTICE

Improper treatment of generator can damage it and shorten its life.

- DO NOT expose generator to excessive moisture, dust, dirt, or corrosive vapors.
- DO NOT insert any objects through cooling slots.
- Use a soft bristle brush to loosen caked on dirt or oil.
- Use a vacuum cleaner to pick up loose dirt and debris.

## Battery Maintenance

Other than float charging, described elsewhere, no maintenance is required for the starting battery. Keep the battery and terminals clean and dry.

**IMPORTANT:** Battery charging should be performed in a dry location, such as inside a garage.

## Engine Maintenance



### WARNING



Unintentional sparking can result in fire or electric shock.

#### WHEN ADJUSTING OR MAKING REPAIRS TO YOUR GENERATOR

- Disconnect the spark plug wire from the spark plug and place the wire where it cannot contact spark plug.

#### WHEN TESTING FOR ENGINE SPARK

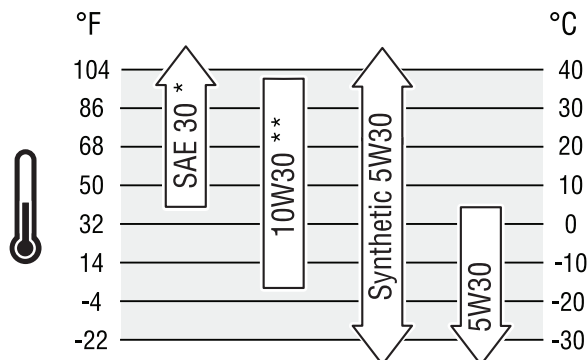
- Use approved spark plug tester.
- DO NOT check for spark with spark plug removed.

## Oil

### Oil Recommendations

We recommend the use of Briggs & Stratton Warranty Certified oils for best performance. Other high-quality detergent oils are acceptable if classified for service SF, SG, SH, SJ or higher. DO NOT use special additives.

Outdoor temperatures determine the proper oil viscosity for the engine. Use the chart to select the best viscosity for the outdoor temperature range expected.



\* Below 40°F (4°C) the use of SAE 30 will result in hard starting.

\*\* Above 80°F (27°C) the use of 10W30 may cause increased oil consumption. Check oil level more frequently.



**NOTE:** Synthetic oil meeting ILSAC GF-2, API certification mark and API service symbol with "SJ/CF ENERGY CONSERVING" or higher, is an acceptable oil at all temperatures. Use of synthetic oil does not alter required oil change intervals.

### Checking Oil Level

Oil level should be checked prior to each use or at least every 5 hours of operation. Keep oil level maintained.

1. Make sure generator is on a level surface.
2. Clean area around oil fill and remove oil fill cap.
3. Verify oil is at the point of overflowing at oil fill opening.
4. Replace and tighten oil fill cap.

### Adding Engine Oil

1. Make sure generator is on a level surface.
2. Check oil level as described in *Checking Oil Level*.
3. If needed, slowly pour oil into oil fill opening to the point of overflowing at oil fill.
4. Replace and tighten oil fill cap.

### Changing Engine Oil

Change the oil after the first 5 hours of operation. Change oil every 50 hours thereafter. If you are using your generator under extremely dirty or dusty conditions, or in extremely hot weather, change the oil more often.



### CAUTION

Avoid prolonged or repeated skin contact with used motor oil.

- Used motor oil has been shown to cause skin cancer in certain laboratory animals.
- Thoroughly wash exposed areas with soap and water.

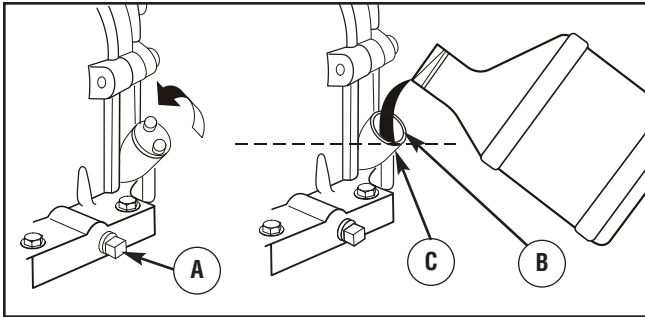


KEEP OUT OF REACH OF CHILDREN. DON'T POLLUTE. CONSERVE RESOURCES. RETURN USED OIL TO COLLECTION CENTERS.

Change the oil while the engine is still warm from running, as follows:

1. Make sure unit is on a level surface.
2. Disconnect the spark plug wire from the spark plug and place the wire where it cannot contact spark plug.

- Clean area around oil drain plug (A). The oil drain plug is located at base of engine, opposite carburetor.



- Remove oil drain plug and drain oil completely into a suitable container.
- Reinstall oil drain plug and tighten securely. Remove oil fill cap.
- Slowly pour oil (about 28 oz.) into oil fill opening (B) to the point of overflowing (C) at oil fill cap. DO NOT overfill.
- Reinstall oil fill cap. Finger tighten cap securely.
- Wipe up any spilled oil.

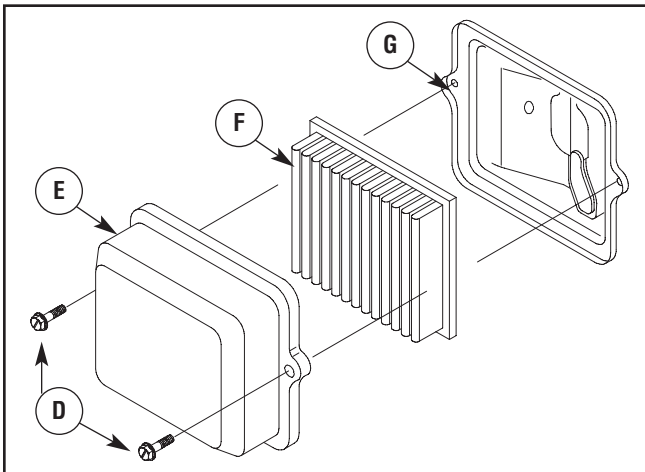
### Service Air Cleaner

Your engine will not run properly and may be damaged if you run it with a dirty air cleaner.

Replace the air cleaner every 25 hours of operation or once each year, whichever comes first. Replace more often if operating under dirty or dusty conditions.

To service the air cleaner, follow these steps:

- Loosen screws (D) and remove air cleaner cover (E).

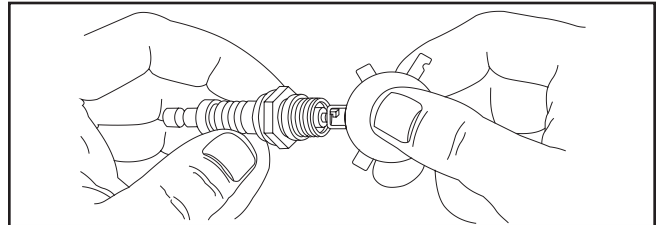


- Carefully remove cartridge (F) from base (G).
- Install clean (or new) air cleaner assembly inside cover. Dispose of old filter properly.
- Assemble air cleaner cover onto base and tighten screws.

### Service Spark Plug

Change the spark plug every 100 hours of operation or once each year, whichever comes first. This will help your engine to start easier and run better.

- Clean area around spark plug.
- Remove and inspect spark plug.
- Check electrode gap with wire feeler gauge and reset spark plug gap to recommended gap if necessary (see *Specifications*).



- Replace spark plug if electrodes are pitted, burned or porcelain is cracked. Use the recommended replacement spark plug. See *Specifications*.
- Install spark plug and tighten firmly.

### Service Spark Arrester

The engine exhaust muffler has a spark arrester screen. Inspect and clean the screen every 100 hours of operation or once each year, whichever comes first.

If you use your generator on any forest-covered, brush-covered, or grass-covered unimproved land, it must have a spark arrester. The spark arrester must be maintained in good condition by the owner/operator.

### ⚠ WARNING



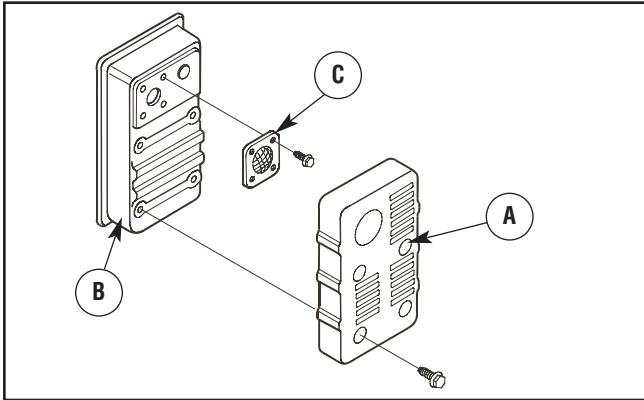
Contact with muffler area can result in serious burns.



Exhaust heat/gases can ignite combustibles, structures or damage fuel tank causing a fire.

- DO NOT touch hot parts and AVOID hot exhaust gases.
- Allow equipment to cool before touching.
- Keep at least 5 feet (1.5 m) of clearance on all sides of generator including overhead.
- Code of Federal Regulation (CFR) Title 36 Parks, Forests, and Public Property require equipment powered by an internal combustion engine to have a spark arrester, maintained in effective working order, complying to USDA Forest service standard 5100-1C or later revision. In the State of California a spark arrester is required under section 4442 of the California Public resources code. Other states may have similar laws.

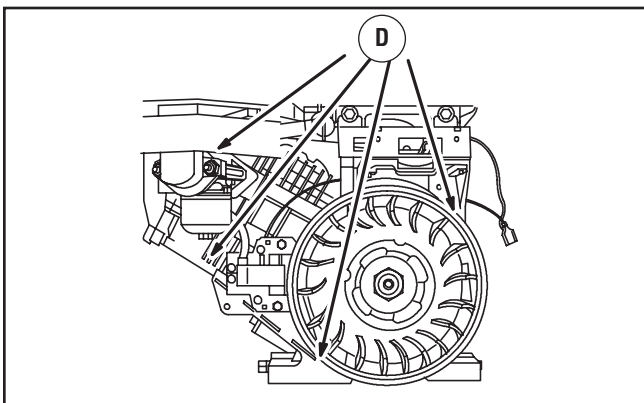
1. To remove muffler heat shield (A) from muffler (B), remove four screws that connect guard to muffler bracket.



2. Remove four screws that attach spark arrester screen (C).
3. Inspect screen and obtain a replacement if torn, perforated or otherwise damaged. DO NOT use a defective screen. If screen is not damaged, clean it with commercial solvent.
4. Reattach screen and muffler guard.

### Air Cooling System

Over time debris may accumulate in cylinder cooling fins and cannot be observed without partial engine disassembly. For this reason, we recommend you have an authorized service dealer clean the cooling system (D) per recommended intervals (see *Maintenance Schedule* in beginning of *Maintenance* section). Equally important is to keep top of engine free from debris. See *Clean Debris*.



### Check Valve Clearance

Regular valve clearance check and adjustment will improve performance and extend engine life. This procedure cannot be done without partial engine disassembly and the use of special tools. For this reason we recommend that you have an authorized service dealer check and adjust valve clearance at recommended intervals (see *Maintenance Schedule* in the *Maintenance* section).

### Carburetor Adjustment

The carburetor on this engine is low emission. It is equipped with a non-adjustable idle mixture valve. Top speed has been set at the factory. If adjustment is required, see an authorized service dealer.

### CAUTION

Excessively high operating speeds increase risk of injury and damage to generator.

Excessively low speeds impose a heavy load.

- DO NOT tamper with governed speed. Generator supplies correct rated frequency and voltage when running at governed speed.
- DO NOT modify generator in any way.

## Storage

The generator should be started at least once every seven days and allowed to run at least 30 minutes. If this cannot be done and you must store the unit for more than 30 days, use the following guidelines to prepare it for storage.

### Generator Storage




- Clean the generator as outlined in *Cleaning*.
- Check that cooling air slots and openings on generator are open and unobstructed.

### Long Term Storage Instructions

Fuel can become stale when stored over 30 days. Stale fuel causes acid and gum deposits to form in the fuel system or on essential carburetor parts. To keep fuel fresh, use Briggs & Stratton FRESH START™ fuel stabilizer, available as a liquid additive or a drip concentrate cartridge.

There is no need to drain gasoline from the engine if a fuel stabilizer is added according to instructions. Run the engine for 2 minutes to circulate the stabilizer throughout the fuel system. The engine and fuel can then be stored up to 24 months.

If gasoline in the engine has not been treated with a fuel stabilizer, it must be drained into an approved container. Run the engine until it stops from lack of fuel. The use of a fuel stabilizer in the storage container is recommended to maintain freshness.



 <b>WARNING</b>	
	Fuel and its vapors are extremely flammable and explosive.
	Fire or explosion can cause severe burns or death.
<b>WHEN STORING FUEL OR EQUIPMENT WITH FUEL IN TANK</b>	
<ul style="list-style-type: none"><li>• Store away from furnaces, stoves, water heaters, clothes dryers or other appliances that have pilot light or other ignition source because they can ignite fuel vapors.</li></ul>	
<b>WHEN DRAINING FUEL</b>	
<ul style="list-style-type: none"><li>• Turn generator OFF and let it cool at least 2 minutes before removing fuel cap. Loosen cap slowly to relieve pressure in tank.</li><li>• Drain fuel tank outdoors.</li><li>• Keep fuel away from sparks, open flames, pilot lights, heat, and other ignition sources.</li><li>• DO NOT light a cigarette or smoke.</li></ul>	

## Change Engine Oil

While engine is still warm, drain oil from crankcase. Refill with recommended grade. See *Changing Engine Oil*.



### Oil Cylinder Bore

- Remove spark plug and pour about 1/2 ounce (15 ml) of clean engine oil into the cylinder.
- Install spark plug and pull starter handle slowly to distribute oil.

 <b>WARNING</b>	
	Unintentional sparking can result in fire or electric shock.
<ul style="list-style-type: none"><li>• NEVER crank engine with spark plug removed.</li></ul>	

### Other Storage Tips

1. DO NOT store fuel from one season to another unless it has been treated as described in *Long Term Storage Instructions*.
2. Replace fuel container if it starts to rust. Rust and/or dirt in fuel can cause problems if it's used with this unit.
3. Cover unit with a suitable protective cover that does not retain moisture.

 <b>WARNING</b>	
	Storage covers can be flammable.
<ul style="list-style-type: none"><li>• DO NOT place a storage cover over a hot generator.</li><li>• Let equipment cool for a sufficient time before placing the cover on the equipment.</li></ul>	

4. Store generator in clean, dry area.

# Troubleshooting

Problem	Cause	Correction
Engine is running, but no AC output is available.	<ol style="list-style-type: none"> <li>1. One of the circuit breakers is open.</li> <li>2. Fault in generator.</li> <li>3. Poor connection or defective cord set.</li> <li>4. Connected device is bad.</li> </ol>	<ol style="list-style-type: none"> <li>1. Reset circuit breaker.</li> <li>2. Contact authorized service facility.</li> <li>3. Check and repair.</li> <li>4. Connect another device that is in good condition.</li> </ol>
Engine runs good at no-load but "bogs down" when loads are connected.	<ol style="list-style-type: none"> <li>1. Short circuit in a connected load.</li> <li>2. Engine speed is too slow.</li> <li>3. Generator is overloaded.</li> <li>4. Shorted generator circuit.</li> </ol>	<ol style="list-style-type: none"> <li>1. Disconnect shorted electrical load.</li> <li>2. Contact authorized service facility.</li> <li>3. See <i>Don't Overload Generator</i> in <i>Operation</i> section.</li> <li>4. Contact authorized service facility.</li> </ol>
Engine will not start; or starts and runs rough.	<ol style="list-style-type: none"> <li>1. Rocker switch set to "Off".</li> <li>2. Fuel Valve is in "Off" position.</li> <li>3. Dirty air cleaner.</li> <li>4. Out of fuel.</li> <li>5. Stale fuel.</li> <li>6. Spark plug wire not connected to spark plug.</li> <li>7. Bad spark plug.</li> <li>8. Water in fuel.</li> <li>9. Flooded.</li> <li>10. Excessively rich fuel mixture.</li> <li>11. Intake valve stuck open or closed.</li> <li>12. Engine has lost compression.</li> </ol>	<ol style="list-style-type: none"> <li>1. Set switch to "On".</li> <li>2. Turn fuel valve to "Open" position.</li> <li>3. Clean or replace air cleaner.</li> <li>4. Fill fuel tank.</li> <li>5. Drain fuel tank and carburetor; fill with fresh fuel.</li> <li>6. Connect wire to spark plug.</li> <li>7. Replace spark plug.</li> <li>8. Drain gas tank and carburetor; fill with fresh fuel.</li> <li>9. Wait 5 minutes and re-crank engine.</li> <li>10. Contact authorized service facility.</li> <li>11. Contact authorized service facility.</li> <li>12. Contact authorized service facility.</li> </ol>
Engine shuts down when running.	Out of fuel.	Fill fuel tank.
Engine lacks power.	<ol style="list-style-type: none"> <li>1. Load is too high.</li> <li>2. Dirty air filter.</li> </ol>	<ol style="list-style-type: none"> <li>1. See <i>Don't Overload Generator</i> in <i>Operation</i> section.</li> <li>2. Replace air filter.</li> </ol>
Engine "hunts" or falters.	Carburetor is running too rich or too lean.	Contact authorized service facility.

# Warranties

## Emissions Control System Warranty

**Briggs & Stratton Corporation (B&S), the California Air Resources Board (CARB) and the United States Environmental Protection Agency (U.S. EPA)**

**Emissions Control System Warranty Statement (Owner's Defect Warranty Rights and Obligations)**

### California, United States and Canada Emissions Control Defects Warranty Statement

The California Air Resources Board (CARB), U.S. EPA and B&S are pleased to explain the Emissions Control System Warranty on your small off-road engine (SORE). In California, new small off-road engines model year 2006 and later must be designed, built and equipped to meet the State's stringent anti-smog standards. Elsewhere in the United States, new non-road, spark-ignition engines certified for model year 1997 and later must meet similar standards set forth by the U.S. EPA. B&S must warrant the emissions control system on your engine for the periods of time listed below, provided there has been no abuse, neglect or improper maintenance of your small off-road engine.

Your emissions control system includes parts such as the carburetor, air cleaner, ignition system, fuel line, muffler and catalytic converter. Also included may be connectors and other emissions related assemblies.

Where a warrantable condition exists, B&S will repair your small off-road engine at no cost to you including diagnosis, parts and labor.

### Briggs & Stratton Emissions Control Defects Warranty Coverage

Small off-road engines are warranted relative to emissions control parts defects for a period of two years, subject to provisions set forth below. If any covered part on your engine is defective, the part will be repaired or replaced by B&S.

### Owner's Warranty Responsibilities

As the small off-road engine owner, you are responsible for the performance of the required maintenance listed in your Operating and Maintenance Instructions. B&S recommends that you retain all your receipts covering maintenance on your small off-road engine, but B&S cannot deny warranty solely for the lack of receipts or for your failure to ensure the performance of all scheduled maintenance.

As the small off-road engine owner, you should however be aware that B&S may deny you warranty coverage if your small off-road engine or a part has failed due to abuse, neglect, improper maintenance or unapproved modifications.

You are responsible for presenting your small off-road engine to an Authorized B&S Service Dealer as soon as a problem exists. The undisputed warranty repairs should be completed in a reasonable amount of time, not to exceed 30 days.

If you have any questions regarding your warranty rights and responsibilities, you should contact a B&S Service Representative at (414) 259-5262.

The emissions warranty is a defects warranty. Defects are judged on normal engine performance. The warranty is not related to an in-use emissions test.

### Briggs & Stratton Emissions Control Defects Warranty Provisions

The following are specific provisions relative to your Emissions Control Defects Warranty Coverage. It is in addition to the B&S engine warranty for non-regulated engines found in the Operator's Manual.

#### 1. Warranted Parts

Coverage under this warranty extends only to the parts listed below (the emissions control systems parts) to the extent these parts were present on the engine purchased.

##### a. Fuel Metering System

- Cold start enrichment system (soft choke)
- Carburetor and internal parts
- Fuel Pump
- Fuel line, fuel line fittings, clamps
- Fuel tank, cap and tether
- Carbon canister

##### b. Air Induction System

- Air cleaner
- Intake manifold
- Purge and vent line

##### c. Ignition System

- Spark plug(s)
- Magneto ignition system

##### d. Catalyst System

- Catalytic converter
- Exhaust manifold
- Air injection system or pulse valve

##### e. Miscellaneous Items Used in Above Systems

- Vacuum, temperature, position, time sensitive valves and switches
- Connectors and assemblies

## 2. Length of Coverage

B&S warrants to the initial owner and each subsequent purchaser that the Warranted Parts shall be free from defects in materials and workmanship which caused the failure of the Warranted Parts for a period of two years from the date the engine is delivered to a retail purchaser.

## 3. No Charge

Repair or replacement of any Warranted Part will be performed at no charge to the owner, including diagnostic labor which leads to the determination that a Warranted Part is defective, if the diagnostic work is performed at an Authorized B&S Service Dealer. For emissions warranty service contact your nearest Authorized B&S Service Dealer as listed in the "Yellow Pages" under "Engines, Gasoline," "Gasoline Engines," "Lawn Mowers," or similar category.

## 4. Claims and Coverage Exclusions

Warranty claims shall be filed in accordance with the provisions of the B&S Engine Warranty Policy. Warranty coverage shall be excluded for failures of Warranted Parts which are not original B&S parts or because of abuse, neglect or improper maintenance as set forth in the B&S Engine Warranty Policy. B&S is not liable to cover failures of Warranted Parts caused by the use of add-on, non-original, or modified parts.

## 5. Maintenance

Any Warranted Part which is not scheduled for replacement as required maintenance or which is scheduled only for regular inspection to the effect of "repair or replace as necessary" shall be warranted as to defects for the warranty period. Any Warranted Part which is scheduled for replacement as required maintenance shall be warranted as to defects only for the period of time up to the first scheduled replacement for that part. Any replacement part that is equivalent in performance and durability may be used in the performance of any maintenance or repairs. The owner is responsible for the performance of all required maintenance, as defined in the B&S Operator's Manual.

## 6. Consequential Coverage

Coverage hereunder shall extend to the failure of any engine components caused by the failure of any Warranted Part still under warranty.

## Emission Information

Engines that are certified to meet the California Air Resources Board (CARB) Tier 2 Emission Standards must display information regarding the Emissions Durability Period and Air Index. The engine manufacturer makes this information available to the consumer on emission labels. The engine emission label will indicate certification information.

The **Emissions Durability Period** describes the number of hours of actual running time for which the engine is certified to be emissions compliant, assuming proper maintenance in accordance with the Operating & Maintenance Instructions. The following categories are used:

**Moderate:** Engine is certified to be emission compliant for 125 hours of actual engine running time.

**Intermediate:** Engine is certified to be emission compliant for 250 hours of actual engine running time.

**Extended:** Engine is certified to be emission compliant for 500 hours of actual engine running time.

For example, a typical walk-behind lawn mower is used 20 to 25 hours per year. Therefore, the **Emissions Durability Period** of an engine with an **intermediate** rating would equate to 10 to 12 years.

Certain engines will be certified to meet the United States Environmental Protection Agency (USEPA) Phase 2 emission standards. For phase 2 certified engines, the Emissions Compliance Period referred to on the Emissions Compliance label indicates the number of operating hours for which the engine has been shown to meet Federal emission requirements.

For engines less than 225 cc displacement:

Category C = 125 hours

Category B = 250 hours

Category A = 500 hours.

For engines of 225 cc or more displacement:

Category C = 250 hours

Category B = 500 hours

Category A = 1000 hours.

## BRIGGS & STRATTON POWER PRODUCTS GROUP, LLC PORTABLE GENERATOR OWNER WARRANTY POLICY

Effective February 1, 2006 replaces all undated Warranties and all Warranties dated before February 1, 2006

### LIMITED WARRANTY

Briggs & Stratton Power Products Group, LLC will repair or replace, free of charge, any part(s) of the portable generator that is defective in material or workmanship or both. Transportation charges on product submitted for repair or replacement under this warranty must be borne by purchaser. This warranty is effective for the time periods and subject to the conditions stated below. For warranty service, find the nearest Authorized Service Dealer in our dealer locator map at BRIGGSandSTRATTON.COM.

THERE IS NO OTHER EXPRESS WARRANTY. IMPLIED WARRANTIES, INCLUDING THOSE OF MERCHANTABILITY AND FITNESS FOR A PARTICULAR PURPOSE, ARE LIMITED TO ONE YEAR FROM PURCHASE, OR TO THE EXTENT PERMITTED BY LAW. ANY AND ALL IMPLIED WARRANTIES ARE EXCLUDED. LIABILITY FOR INCIDENTAL OR CONSEQUENTIAL DAMAGES ARE EXCLUDED TO THE EXTENT EXCLUSION IS PERMITTED BY LAW. Some states or countries do not allow limitations on how long an implied warranty lasts, and some states or countries do not allow the exclusion or limitation of incidental or consequential damages, so the above limitation and exclusion may not apply to you. This warranty gives you specific legal rights and you may also have other rights which vary from state to state or country to country.

### WARRANTY PERIOD

<b>Consumer Use</b>	<b>2 years*</b>
<b>Commercial Use</b>	<b>1 year</b>

\*Second year parts only

The warranty period begins on the date of purchase by the first retail end user, and continues for the period of time stated above. "Consumer Use" means personal residential household use by a retail consumer. "Commercial Use" means all other uses, including use for commercial, income producing or rental purposes. Once equipment has experienced commercial use, it shall thereafter be considered as commercial use for purposes of this warranty.

NO WARRANTY REGISTRATION IS NECESSARY TO OBTAIN WARRANTY ON BRIGGS & STRATTON PRODUCTS. SAVE YOUR PROOF OF PURCHASE RECEIPT. IF YOU DO NOT PROVIDE PROOF OF THE INITIAL PURCHASE DATE AT THE TIME WARRANTY SERVICE IS REQUESTED, THE MANUFACTURING DATE OF THE PRODUCT WILL BE USED TO DETERMINE THE WARRANTY PERIOD.

### ABOUT YOUR WARRANTY

We welcome warranty repair and apologize to you for being inconvenienced. Any Authorized Service Dealer may perform warranty repairs. Most warranty repairs are handled routinely, but sometimes requests for warranty service may not be appropriate. For example, warranty service would not apply if equipment damage occurred because of misuse, lack of routine maintenance, shipping, handling, warehousing or improper installation. Similarly, the warranty is void if the manufacturing date or the serial number on the portable generator has been removed or the equipment has been altered or modified. During the warranty period, the Authorized Service Dealer, at its option, will repair or replace any part that, upon examination, is found to be defective under normal use and service. This warranty will not cover the following repairs and equipment:

- **Normal Wear:** Outdoor Power Equipment, like all mechanical devices, needs periodic parts and service to perform well. This warranty does not cover repair when normal use has exhausted the life of a part or the equipment.
- **Installation and Maintenance:** This warranty does not apply to equipment or parts that have been subjected to improper or unauthorized installation or alteration and modification, misuse, negligence, accident, overloading, overspeeding, improper maintenance, repair or storage so as, in our judgment, to adversely affect its performance and reliability. This warranty also does not cover normal maintenance such as air filters, adjustments, fuel system cleaning and obstruction (due to chemical, dirt, carbon, lime, and so forth).
- **Other Exclusions:** This warranty excludes wear items such as o-rings, filters, etc., or malfunctions resulting from accidents, abuse, modifications, alterations, or improper servicing or freezing or chemical deterioration. Accessory parts such as starting batteries, generator adapter cord sets and storage covers are excluded from the product warranty. This warranty excludes used, reconditioned, and demonstration equipment, equipment used for prime power in place of utility power, equipment used in life support applications, and failures due to acts of God and other force majeure events beyond the manufacturers control. 198189E, Rev. B, 12/31/2006

**BRIGGS & STRATTON POWER PRODUCTS GROUP, LLC**  
**JEFFERSON, WI, USA**







## Portable Generator

### Product Specifications

Starting Wattage	8,750 watts
Wattage	6,200 watts
AC Load Current:	
at 120 Volts	.51.6 Amps
at 240 Volts	.25.8 Amps
Phase	Single phase
Rated Frequency	.60 Hertz
Shipping Weight	.190 lb (86.2 kg)
Displacement	.20.85 ci (342 cc)
Spark Plug Gap	.0.030 in (0.76 mm)
Fuel Capacity	.7 U.S. gallons (26.5 L)
Oil Capacity	.28 Ounces (0.83 Liters)

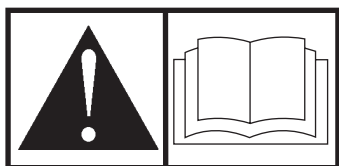
### Common Service Parts

Air Cleaner	.491588S or 5043D
Resistor Spark Plug	.491055S
Long Life Platinum Spark Plug	.5066D
Engine Oil Bottle	.100005
Fuel Stabilizer	.5041D
Spark Arrester	.83083GS

**Power Ratings:** The gross power rating for individual gas engine models is labeled in accordance with SAE (Society of Automotive Engineers) code J1940 (Small Engine Power & Torque Rating Procedure), and rating performance has been obtained and corrected in accordance with SAE J1995 (Revision 2002-05). Torque values are derived at 3060 RPM; horsepower values are derived at 3600 RPM. Actual gross engine power will be lower and is affected by, among other things, ambient operating conditions and engine-to-engine variability. Given both the wide array of products on which engines are placed and the variety of environmental issues applicable to operating the equipment, the gas engine will not develop the rated gross power when used in a given piece of power equipment (actual "on-site" or net power). This difference is due to a variety of factors including, but not limited to, accessories (air cleaner, exhaust, charging, cooling, carburetor, fuel pump, etc.), application limitations, ambient operating conditions (temperature, humidity, altitude), and engine-to-engine variability. Due to manufacturing and capacity limitations, Briggs & Stratton may substitute an engine of higher rated power for this Series engine.



# Generador Portátil de 6200 Vatios Manual del Operario



**BRIGGS & STRATTON POWER PRODUCTS GROUP, LLC**  
**JEFFERSON, WISCONSIN, U.S.A.**

**Muchas gracias** por comprar este generador Briggs & Stratton de gran calidad. Nos alegra que haya depositado su confianza en la marca Briggs & Stratton. Siempre que sea utilizado de acuerdo con las instrucciones de este manual, su generador Briggs & Stratton le proporcionará muchos años de buen funcionamiento.

**Este manual contiene** información sobre seguridad para hacerle consciente de los riesgos asociados a los generadores y mostrarle cómo evitarlos. Este generador se ha diseñado exclusivamente para suministrar energía eléctrica a cargas compatibles de iluminación, electrodomésticos, herramientas y motores. No debe utilizarse para ningún otro fin. Es importante leer detenidamente y comprender estas instrucciones antes de poner en marcha o utilizar el equipo. **Conserve este manual para futuras consultas.**

**Este generador requiere montaje final antes de ser usado.** Consulte la sección *Montaje* de este manual, donde encontrará instrucciones para el montaje final. Siga las instrucciones al pie de la letra.

## Dónde encontrarnos

Usted no tendrá que ir muy lejos para encontrar el servicio técnico de Briggs & Stratton para su generador. Consulte las Páginas Amarillas. Hay más de 30.000 proveedores de Briggs & Stratton autorizados en todo el mundo, proporcionando un servicio de calidad. También puede ponerse en contacto con Atención al Cliente de Briggs & Stratton llamando al **(800) 743-4115** o por Internet en [BRIGGSandSTRATTON.COM](http://BRIGGSandSTRATTON.COM).

## Generador

Número de Modelo

Revisión

Número de Serie

## Motor

Número de Modelo

Número de Tipo

Número de Código

Fecha de compra

Briggs & Stratton Power Products Group, LLC.  
900 North Parkway  
Jefferson, WI 53549

Copyright © 2007 Briggs & Stratton Power Products Group, LLC. Reservados todos los derechos. Queda prohibida la reproducción o transmisión total o parcial de este material, sea cual sea la forma y el medio empleados para ello, sin el permiso previo y por escrito de Briggs & Stratton Power Products Group, LLC.

# Tabla de Contenido

<b>Seguridad de operario</b> .....	<b>4</b>
Descripción del equipo .....	4
Reglas de seguridad .....	4
<b>Montaje</b> .....	<b>7</b>
Desembalaje del generador .....	7
Instale el juego de ruedas .....	7
Agregar aceite al motor .....	8
Agregue combustible .....	8
Conecte el cable negativo de la batería .....	8
Tierra del sistema .....	9
Conexión al sistema eléctrico de un edificio .....	9
Ubicación del generador .....	9
<b>Controles y características</b> .....	<b>10</b>
Juegos de cordones y enchufes conectores .....	11
Cargador de flotación de la batería .....	12
<b>Operando</b> .....	<b>13</b>
Encienda el motor .....	13
Conexión de cargas eléctricas .....	14
Parada del motor .....	14
No sobrecargar el generador .....	15
<b>Mantenimiento</b> .....	<b>16</b>
Plan de mantenimiento .....	16
Mantenimiento del generador .....	16
Mantenimiento de la batería .....	17
Mantenimiento del motor .....	17
Almacenamiento .....	20
<b>Resolución de problemas</b> .....	<b>21</b>
<b>Garantías</b> .....	<b>22</b>
Garantía del sistema de control de emisiones .....	22
Garantía para el propietario de una generador .....	24
<b>Especificaciones</b> .....	<b>26</b>
Especificaciones del producto .....	26
Servicio común despide .....	26

Seguridad

Montaje

Controles

Utilización

Mantenimiento

Problemas

Garantía

Español

es

# Seguridad de operario

## Descripción del equipo



Lea atentamente este manual y familiarícese con el generador. Conozca sus aplicaciones, limitaciones y riesgos.

Este generador funciona en base a un motor de campo eléctrico giratorio y de corriente alterna (CA). Fue diseñado con la finalidad de proveer energía eléctrica para lámparas eléctricas, aparatos, herramientas y cargas de motor compatibles. El campo giratorio del generador se mueve a unas 3.600 rpm con un motor de un cilindro.

Se ha realizado el máximo esfuerzo para reunir en este documento la información más precisa y actualizada. No obstante, nos reservamos el derecho de modificar, alterar o mejorar de cualquier otra forma el generador en cualquier momento y sin previo aviso.

El Sistema de Control de Emisiones para este generador está garantizado para juegos estándares por la Agencia de Protección Ambiental y el Consejo de recursos de aire de California.

### AVISO


El sobrepasar la capacidad del amperaje y vataje del generador, puede dañar al generador y los aparatos eléctricos conectados al mismo.

- Vea *No sobrecargue generador*.

## Reglas de seguridad

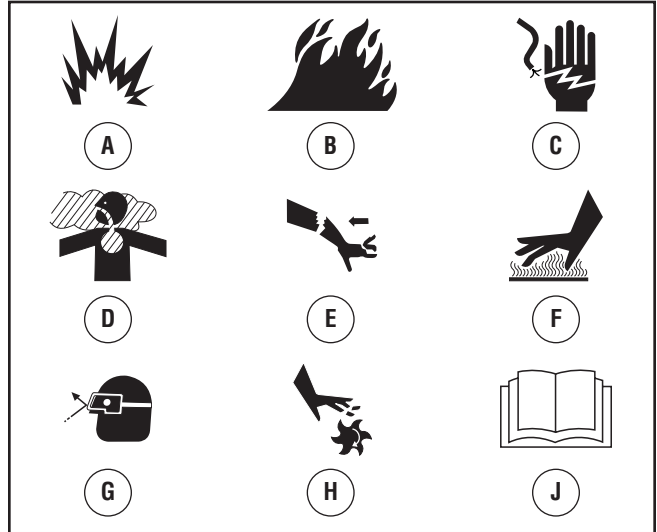


Éste es el símbolo de alerta de seguridad. Sirve para advertir al usuario de un posible riesgo para su integridad física. Siga todos los mensajes de seguridad que figuren después de este símbolo para evitar lesiones o incluso la muerte.

El símbolo de alerta de seguridad () se utiliza con una palabra de señalización (**PELIGRO**, **PRECAUCIÓN**, **ADVERTENCIA**), una imagen y/o un mensaje de seguridad para advertir al usuario de un riesgo. **PELIGRO** indica un riesgo que, de no evitarse, provocará la muerte o lesiones de gravedad. **ADVERTENCIA** indica un riesgo que, de no evitarse, puede provocar la muerte o lesiones de gravedad. **PRECAUCIÓN** indica un riesgo que, de no evitarse, puede provocar lesiones moderadas. Cuando se utiliza sin el símbolo de alerta, **AVISO** indica una situación que podría producir daños en el equipo. Siga en todo momento los mensajes de seguridad para evitar o reducir el riesgo de lesiones y de muerte.

El fabricante no puede anticipar todas las posibles circunstancias que podrían conllevar peligro. Por lo tanto, las advertencias de este manual, así como las etiquetas y placas de la unidad, no incluyen todo. Si usa un procedimiento, método de trabajo o técnica operativa que no esté específicamente recomendada por el fabricante, debe asegurarse de que no entraña peligro para usted ni para otras personas. También debe asegurarse de que el procedimiento, método de trabajo o técnica operativa elegida no hace que el generador deje de ser seguro.

## Símbolos de peligro y sus significados



A - Explosión

B - Fuego

C - Descarga Eléctrica

D - Gases Tóxicos

E - Retroceso

F - Superficie Caliente

G - Objets volant

H - Partes en Movimiento

J - Manual del Operario

### ⚠ PELIGRO

El uso de un generador en un espacio interior PUEDE PROVOCAR LA MUERTE EN POCOS MINUTOS.

Los gases de escape del generador contienen monóxido de carbono, un veneno invisible e inodoro.



NUNCA utilice un generador en el interior de una casa o un garaje, AUNQUE haya ventanas y puertas abiertas.



Utilícelo solo en el EXTERIOR, alejado de ventanas, puertas y aberturas de ventilación.



### ADVERTENCIA



Al motor funcionar, se produce monóxido de carbono, un gas inodoro y venenoso.

Respirar monóxido de carbono puede provocar dolor de cabeza, fatiga, mareos, vómitos, confusión, ataques, náuseas, desmayos o incluso la muerte.

- Opere el generador SOLAMENTE al aire libre.
- Instale una alarma de monóxido de carbono con batería cerca de los dormitorios.
- Asegúrese de que los gases de escape no puedan entrar por ventanas, puertas, tomas de aire de ventilación u otras aberturas en un espacio cerrado en el que puedan acumularse.
- NO arranque ni deje funcionar el motor en interiores ni en zonas cerradas, (aunque haya ventanas y puertas abiertas), incluyendo el compartimiento del generador en un vehículo recreativo o RV.

**⚠ ADVERTENCIA**

**El escape del motor de este producto contiene elementos químicos reconocidos en el Estado de California por producir cáncer, defectos de nacimiento u otros daños de tipo reproductivo.**

**⚠ ADVERTENCIA**




El retroceso (repliegue rápido) del cable del arrancador puede producir lesiones. El retroceso impedirá que el usuario suelte el cable a tiempo y tirará de su mano y brazo hacia el motor.

Como resultado, podrían producirse fracturas, contusiones o esguinces.

- Cuando arranque el motor, tire lentamente del cable hasta sentir una resistencia y, a continuación, tire rápidamente de él para evitar su retroceso.
- NUNCA arranque o pare el motor cuando haya aparatos eléctricos conectados y en funcionamiento.

**⚠ ADVERTENCIA**



Los generadores producen un voltaje muy poderoso.

Si no aísla el generador de utilidades de energía, puede hacer que los trabajadores de electricidad sufran heridas graves e inclusive la muerte, debido a la retroalimentación de la energía eléctrica.

- Cuando use un generador como poder de energía auxiliar, notifique a la compañía de utilidades. Use el equipo de transferencia aprobado para aislar el generador de otra utilidad eléctrica.
- Use un interruptor para la falla del circuito de tierra (GFCI) en cualquier área bastante húmeda o que sea altamente conductiva, tales como terrazas de metal o trabajo hecho con acero.
- NO toque los alambres pelados o receptáculos.
- NO use un generador con cables eléctricos que estén malgastados, rotos, pelados o dañados de cualquier forma.
- NO opere el generador bajo la lluvia.
- NO maneje el generador o cables eléctricos mientras esté parado en agua, descalzo o cuando las manos y los pies estén mojados.
- NO permita que personas descalzadas o niños operen o sirvan al generador.

**⚠ ADVERTENCIA**



La combustible y sus vapores son extremadamente inflamables y explosivos.



El fuego o una explosión pueden causar quemaduras severas e inclusive la muerte.

**CUANDO ANADA COMBUSTIBLE O VACÍE EL DEPÓSITO**

- Apague el generador (posición OFF) y déjelo enfriar al menos por 2 minutos antes de remover la tapa de la combustible. Afloje la tapa lentamente para dejar que la presión salga del tanque.
- Llene o vacíe el depósito de combustible a la intemperie.
- NO llene demasiado el tanque. Permita al menos espacio para la expansión del combustible.
- Si se ha derramado combustible, espere a que se evapore antes de arrancar el motor.
- Mantenga la combustible alejada de chispas, llamas abiertas, pilotos, calor y otras fuentes de ignición.
- NO encienda un cigarrillo o fume.

**CUANDO PONGA EN FUNCIONAMIENTO EL EQUIPO**

- Compruebe que la bujía, el silenciador, el tapón del depósito de combustible y el filtro de aire están instalados.
- NO arranque el motor sin la bujía instalada.

**CUANDO OPERE EL EQUIPO**

- NO incline el motor o el equipo, de tal manera que la combustible se pueda derramar.
- Este generador no es apto para el uso en equipos móviles ni en aplicaciones marinas.

**CUANDO TRANSPORTE O REPARE EL EQUIPO**

- Transporte o repare el equipo con el tanque de combustible vacío, o con la válvula para apagar el combustible, apagada (posición OFF).
- Desconecte el cable de la bujía.

**CUANDO ALMACENE O GUARDE EL EQUIPO CON COMBUSTIBLE EN EL TANQUE**

- Almacene alejado de calderas, estufas, calentadores de agua, secadoras de ropa u otros aparatos electrodomésticos que posean pilotos u otras fuentes de ignición, porque ellos pueden encender los vapores de la combustible.

**⚠ ADVERTENCIA**

- Este generador no cumple la norma 33CFR-183 del cuerpo de guardacostas de EE.UU. y no debe utilizarse en aplicaciones marinas.
- El uso de un generador no homologado por cuerpo de guardacostas de EE.UU. puede provocar lesiones y daños materiales.

**⚠ ADVERTENCIA**

El contacto con la zona del silenciador puede producir quemaduras graves.



Los gases y el calor de escape pueden inflamar los materiales combustibles y las estructuras o dañar el depósito de combustible y provocar un incendio.

- NO toque las superficies calientes y EVITE los gases del escape a alta temperatura.
- Permita que el equipo se enfríe antes de tocarlo.
- Deje un espacio mínimo de 1.5 m (5 pies) alrededor del generador, incluida la parte superior.
- El Código de Normativa Federal (CFR, Título 36: Parques, Bosques y Propiedad Pública) obliga a instalar una pantalla apagachispas en los equipos con motor de combustión interno y a mantenerla en buenas condiciones de funcionamiento, conforme a la norma 5100-1C (o posterior) del Servicio Forestal de la USDA. En el Estado de California, la ley exige el uso de una pantalla apagachispas (Sección 4442 del Código de Recursos Públicos de California). En otros estados puede haber leyes similares en vigor.

**⚠ ADVERTENCIA**

El arrancador y otras piezas que rotan pueden enredar las manos, el pelo, la ropa, o los accesorios.

- NUNCA utilice la generador sin sus carcasas o tapas de protección.
- NO use ropa suelta, joyas o elementos que puedan quedar atrapados en el arranque o en otras partes rotatorias.
- Ate para arriba el pelo largo y quite la joyería.

**⚠ ADVERTENCIA**

Chispear involuntario puede tener como resultado el fuego o el golpe eléctrico.

**CUANDO AJUSTE O HAGA REPARACIONES A SU MÁQUINA GENERADOR**

- Siempre desconecte el alambre de la bujía y colóquelo donde no pueda entrar en contacto con la bujía.

**CUANDO PRUEBE LA BUJÍA DEL MOTOR**

- Utilice un comprobador de bujías homologado.
- NO compruebe la chispa sin la bujía instalada.

**⚠ PRECAUCIÓN**

Las velocidades de operación en exceso, aumentan los riesgos de heridas y daños al generador.

Las velocidades bajan en exceso, imponen una carga muy pesada.

- NO cambie ninguna velocidad determinada. El generador suministra una frecuencia y un voltaje calificado cuando funciona a una velocidad determinada.
- NO modifique al generador en ninguna forma.

**AVISO**

El sobrepasar la capacidad del amperaje y vataje del generador, puede dañar al generador y los aparatos eléctricos conectados al mismo.

- *Vea No sobrecargue generador.*
- Encienda su generador y deje que el motor se estabilice antes de conectar las cargas eléctricas.
- Conecte las cargas eléctricas en la posición de apagado (OFF), luego encienda (ON) para su operación.
- Apague (OFF) las cargas eléctricas y desconéctelas del generador antes de parar el generador.

**AVISO**

El tratamiento inadecuado del generador puede dañarlo y acortar su vida productiva.

- Use el generador solamente con la finalidad para el cual fue diseñado.
- En caso de dudas sobre su uso, diríjase al distribuidor.
- Opere el generador solamente en superficies niveladas.
- NO esponga al generador a una humedad excesiva, polvo, suciedad o vapores corrosivos.
- NO inserte cualquier objeto a través de las ranuras de enfriamiento.
- Si los aparatos conectados se sobrecalientan, apáguelos y desconéctelos del generador.
- Apague el generador si:
  - Se pierde la salida eléctrica;
  - El equipo produce chispas, humo o emite llamas;
  - La unidad vibra de una manera excesiva.



# Montaje

Su generador requiere de ciertos procedimientos de montaje y solo estará listo para ser utilizado después de haberle suministrado servicio con el combustible y aceite recomendados.

Si usted tiene problemas con el montaje de su generador, por favor llame a la línea de ayuda para generadores al **(800) 743-4115**. Si llamar para la ayuda, tiene por favor el modelo, la revisión y el número de serie de etiqueta de datos disponible. Consulte la ubicación en la sección *Controles y características*.

## Desembalaje del generador

1. Coloque la caja de cartón en una superficie rígida y plana.
2. Abra completamente la caja de cartón cortando cada una de sus esquinas de arriba abajo.
3. Saque todo el contenido de la caja de cartón, a excepción del generador.
4. Mantenga el generador sobre el cartón para instalar el juego de ruedas.

## El generador se entrega con:

- Manual del operario
- Cargador de flotación de la batería
- Aceite del motor
- Juego de ruedas

## Instale el juego de ruedas


**NOTA:** Este Juego de Ruedas no ha sido diseñado para ser usado en la carretera.

Necesitará las herramientas para instalar estos componentes:

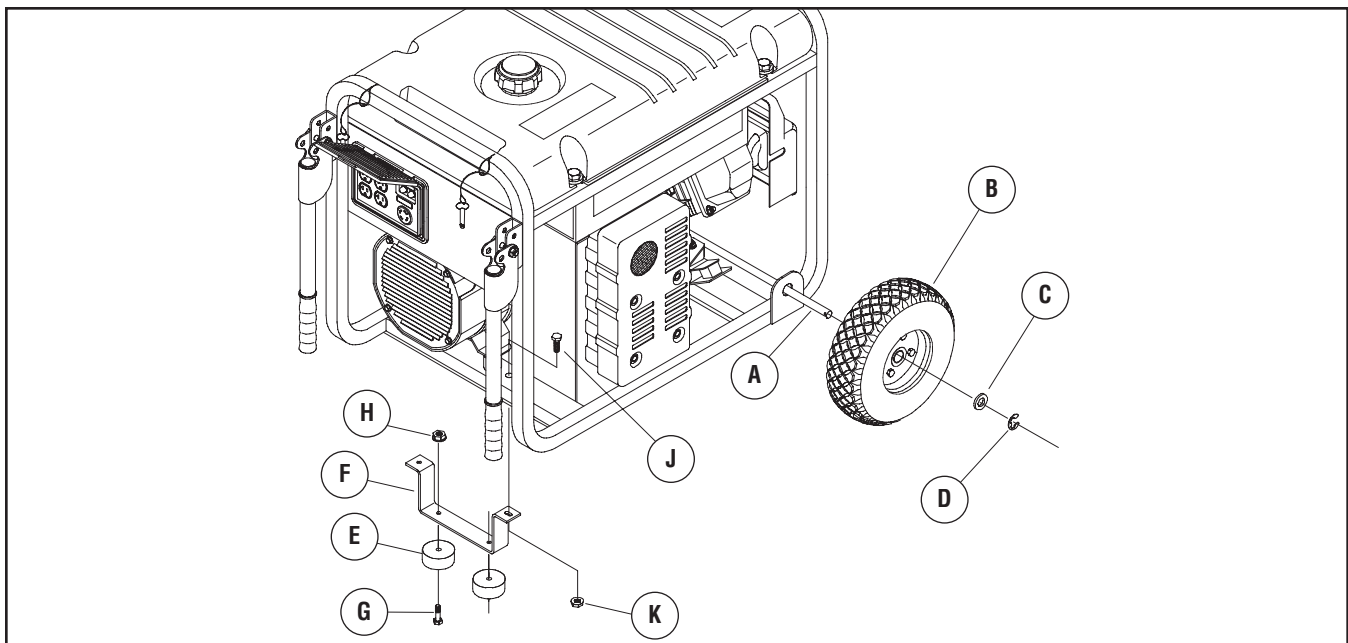
- Llaves de 13 mm y 7/16"
- Llaves de cubo de 13 mm y 7/16"
- Alicates
- Gafas de seguridad

## Instale el juego de ruedas conforme a las instrucciones siguientes:

1. Dele la vuelta al generador de forma que el motor quede arriba.
2. Introduzca el eje (A) a través de los dos soportes de montaje.
3. Coloque una rueda (B) en cada extremo, cuando mostrado.
4. Introduzca una arandela (C) por el eje y coloque una anilla en "e" (D) en la ranura del eje.

<b>PRECAUCIÓN</b>	
	Las anillas en "e" pueden provocar lesiones oculares. Las anillas en "e" pueden salir disparadas durante el montaje o el desmontaje.
• Utilice siempre protección ocular para montar o desmontar anillas en "e".	

5. Para ello, apriete con unos alicates desde la parte superior de la anilla en "e" hacia la parte inferior del eje.
6. Repita los pasos 4 y 5 para asegurar la segunda rueda.
7. Dele la vuelta al generador de forma que el lado del motor quede abajo.
8. Fije los bloques amortiguadores de vibraciones (E) a la pata de apoyo (F) con tornillos de cabeza 1/4-20 x 1" (G) y tuercas 1/4-20 (H).
9. Extraiga los tornillos y las tuercas del bloque amortiguador de vibraciones izquierdo de la unidad utilizando para ello una llave de 13 mm. Utilice estos mismos tornillos y tuercas para montar la pata de apoyo.
10. Monte el otro lado de la pata de apoyo con un tornillo de cabeza M8 x 20 mm (J) y una tuerca M8 (K).
11. Vuelva a colocar el generador en la posición normal de funcionamiento (apoyado en las ruedas y la pata de apoyo).



Español

es

## Agregar aceite al motor

1. Coloque la generador en una superficie plana y nivelada.
2. Limpie la zona de alrededor del orificio de llenado de aceite y quite el tapón amarillo.

**NOTA:** Consulte la sección *Aceite*, para ver las recomendaciones relativas al aceite. Compruebe que la botella de aceite suministrada tiene la viscosidad adecuada para la temperatura ambiente actual.

3. Con la ayuda de un embudo (opcional), vierta lentamente todo el contenido de la botella de aceite por el orificio de llenado de aceite.

### AVISO

El tratamiento inadecuado del generador puede dañarlo y acortar su vida productiva.

- NO procure acodar ni empezar el motor antes ha sido atendido a apropiadamente con el aceite recomendado. Esto puede tener como resultado una avería del motor.

4. Vuelva a colocar el tapón y apriételo firmemente.

## Agregue combustible

**El combustible debe reunir los siguientes requisitos:**

- Gasolina sin plomo limpia y nueva.
- Un mínimo de 87 octanos/87 AKI (91 RON). Para uso a gran altitud, consulte *Gran altitud*.
- El motor admite gasolina con hasta un 10% de etanol (gasohol) o hasta un 15% de MTBE (éter metil terbutílico).

### AVISO

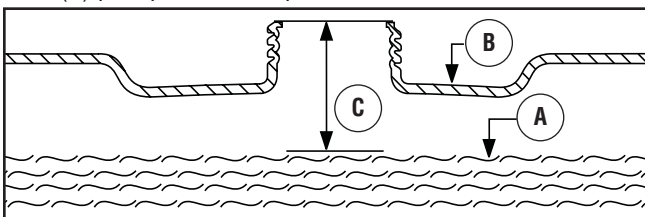
Evite el daño del generador.

El fracaso para seguir Manual de Operario para el combustible recommendations garantía de vacíos.

- NO utilice gasolina no autorizada; por ejemplo, E85.
- NO mezcle aceite con gasolina.
- NO modifique el motor para hacerlo funcionar con otros combustibles.

Para evitar la formación de carbonilla en el circuito de combustible, siempre que añada combustible, mézclelo con un estabilizador. Consulte *Almacenamiento*. No todos los combustibles son iguales. Si detecta problemas de arranque o de rendimiento después de utilizar un combustible, pruebe a cambiar de proveedor o de marca. Este motor está certificado para funcionar con gasolina. Su sistema de control de emisiones es EM (Modificaciones del motor).

1. Limpie el área alrededor de la tapa de llenado del combustible, retire la tapa.
2. Añada lentamente gasolina sin plomo (A) al depósito de combustible (B). NO añada combustible en exceso. Deje aproximadamente 4 cm (1,5") de espacio en el depósito (C) para permitir la expansión del combustible.



3. Instale la tapa del tanque de combustible y la espera para algún combustible rociado para evaporar.

### ⚠ ADVERTENCIA



La combustible y sus vapores son extremadamente inflamables y explosivos.



El fuego o una explosión pueden causar quemaduras severas e inclusive la muerte.

#### CUANDO ANADA COMBUSTIBLE

- Apague el generador (posición OFF) y déjelo enfriar al menos por 2 minutos antes de remover la tapa de la combustible. Afloje la tapa lentamente para dejar que la presión salga del tanque.
- Llene o vacíe el depósito de combustible a la intemperie.
- NO llene demasiado el tanque. Permita al menos espacio para la expansión del combustible.
- Si se ha derramado combustible, espere a que se evapore antes de arrancar el motor.
- Mantenga la combustible alejada de chispas, llamas abiertas, pilotos, calor y otras fuentes de ignición.
- NO encienda un cigarrillo o fume.

#### Gran altitud

En altitudes superiores a 1.524 metros (5.000 pies), se deberá utilizar gasolina con un mínimo de 85 octanos / 85 AKI (89 RON). Para seguir cumpliendo la normativa sobre emisiones, es necesario ajustar la unidad para su uso a gran altitud. De no realizarse este ajuste, el rendimiento se reducirá y el consumo de combustible y las emisiones aumentarán. Para obtener más información sobre el ajuste para gran altitud, consulte con un distribuidor cualificado de Briggs & Stratton. No se recomienda utilizar el motor a altitudes inferiores a 762 metros (2.500 pies) con el juego de gran altitud.

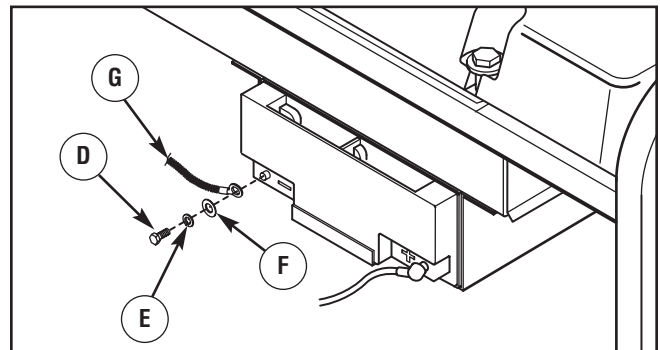
#### Conecte el cable negativo de la batería

El arranque del generador se puede realizar manualmente. Si decide no utilizar la función de arranque eléctrico de este generador, no será necesario instalar la batería.

La batería sellada en el generador esta completamente cargada y ha sido pre-instalada, excepto por el cable negativo (negro) de batería.

#### Para instalar:

1. Corte el cablecito que está aguantando el cable negro, para poderlo usar.
2. Remueva la tornillo (D), arandela de cerradura (E) y arandelas de plano (F) en el terminal negativo de la batería.



3. Deslice la arandela de cerradura, arandelas de plano y el cable negativo de la batería (G) sobre el tornillo.
4. Reconecte la tornillo en el terminal negativo y apriétela.
5. Asegúrese que las conexiones a la batería y al generador están apretadas y aseguradas.

**NOTA:** Carguela antes del uso conforme a las instrucciones de la sección *Cargador de flotación de la batería*.

### Tierra del sistema

El generador dispone de una conexión a tierra del sistema que conecta los componentes del bastidor a los terminales de tierra de los enchufes hembra de salida de CA. La tierra del sistema está conectada al cable de CA neutro que, a su vez, está conectado al bastidor del generador (el neutro está conectado al bastidor del generador).

### Requisitos especiales

Es posible que haya normas u ordenanzas locales y nacionales en materia de seguridad e higiene en el trabajo aplicables al uso del generador. Consulte con un electricista cualificado, un inspector eléctrico o el organismo competente.

- En algunas zonas, es obligatorio registrar los generadores en las compañías eléctricas locales.
- Si el generador se utiliza en una obra, puede ser necesario cumplir normas y requisitos adicionales.

### Conexión al sistema eléctrico de un edificio

Las conexiones a efectos de alimentación de reserva al sistema eléctrico de un edificio deben ser realizadas por un electricista cualificado. La conexión debe aislar la alimentación del generador de la alimentación de la red pública, o de otra fuente de energía alternativa, y debe cumplir todas las leyes y normas eléctricas vigentes.

<b>⚠ ADVERTENCIA</b>	
	<p>Los generadores producen un voltaje muy poderoso.</p> <p>Si no aísla el generador de utilidades de energía, puede hacer que los trabajadores de electricidad sufran heridas graves e inclusive la muerte, debido a la retroalimentación de la energía eléctrica.</p>
<ul style="list-style-type: none"> <li>• Cuando use un generador como poder de energía auxiliar, notifique a la compañía de utilidades. Use el equipo de transferencia aprobado para aislar el generador de otra utilidad eléctrica.</li> <li>• Use un interruptor para la falla del circuito de tierra (GFCI) en cualquier área bastante húmeda o que sea altamente conductiva, tales como terrazas de metal o trabajo hecho con acero.</li> <li>• NO toque los alambres pelados o receptáculos.</li> <li>• NO use un generador con cables eléctricos que estén malgastados, rotos, pelados o dañados de cualquier forma.</li> <li>• NO opere el generador bajo la lluvia.</li> <li>• NO maneje el generador o cables eléctricos mientras esté parado en agua, descalzo o cuando las manos y los pies estén mojados.</li> <li>• NO permita que personas descalzadas o niños operen o sirvan al generador.</li> </ul>	

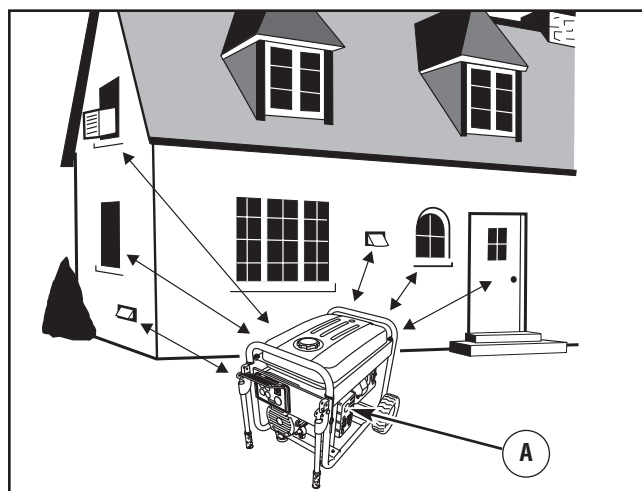
## Ubicación del generador

### Espacio libre alrededor del generador

<b>⚠ ADVERTENCIA</b>	
	<p>Los gases y el calor de escape pueden inflamar los materiales combustibles y las estructuras o dañar el depósito de combustible y provocar un incendio.</p>
<ul style="list-style-type: none"> <li>• Deje un espacio mínimo de 1.5 m (5 pies) alrededor del generador, incluida la parte superior.</li> </ul>	

Coloque la generador a la intemperie en una zona en donde no se acumulen gases de escape mortales. NO instale el generador en lugares en los que los gases de escape (A) se puedan acumular o entrar en un edificio que pueda estar ocupado. Asegúrese de que los gases de escape no puedan entrar por ventanas, puertas, tomas de aire de ventilación u otras aberturas en un espacio cerrado en el que puedan acumularse. Tenga en cuenta los vientos y las corriente de aire preponderantes cuando elija la ubicación del generador.

<b>⚠ PELIGRO</b>	
<p><b>El uso de un generador en un espacio interior PUEDE PROVOCAR LA MUERTE EN POCOS MINUTOS.</b></p> <p>Los gases de escape del generador contienen monóxido de carbono, un veneno invisible e inodoro.</p>	
<p><b>NUNCA</b> utilice un generador en el interior de una casa o un garaje, AUNQUE haya ventanas y puertas abiertas.</p>	<p>Utilícelo solo en el <b>EXTERIOR</b>, alejado de ventanas, puertas y aberturas de ventilación.</p>

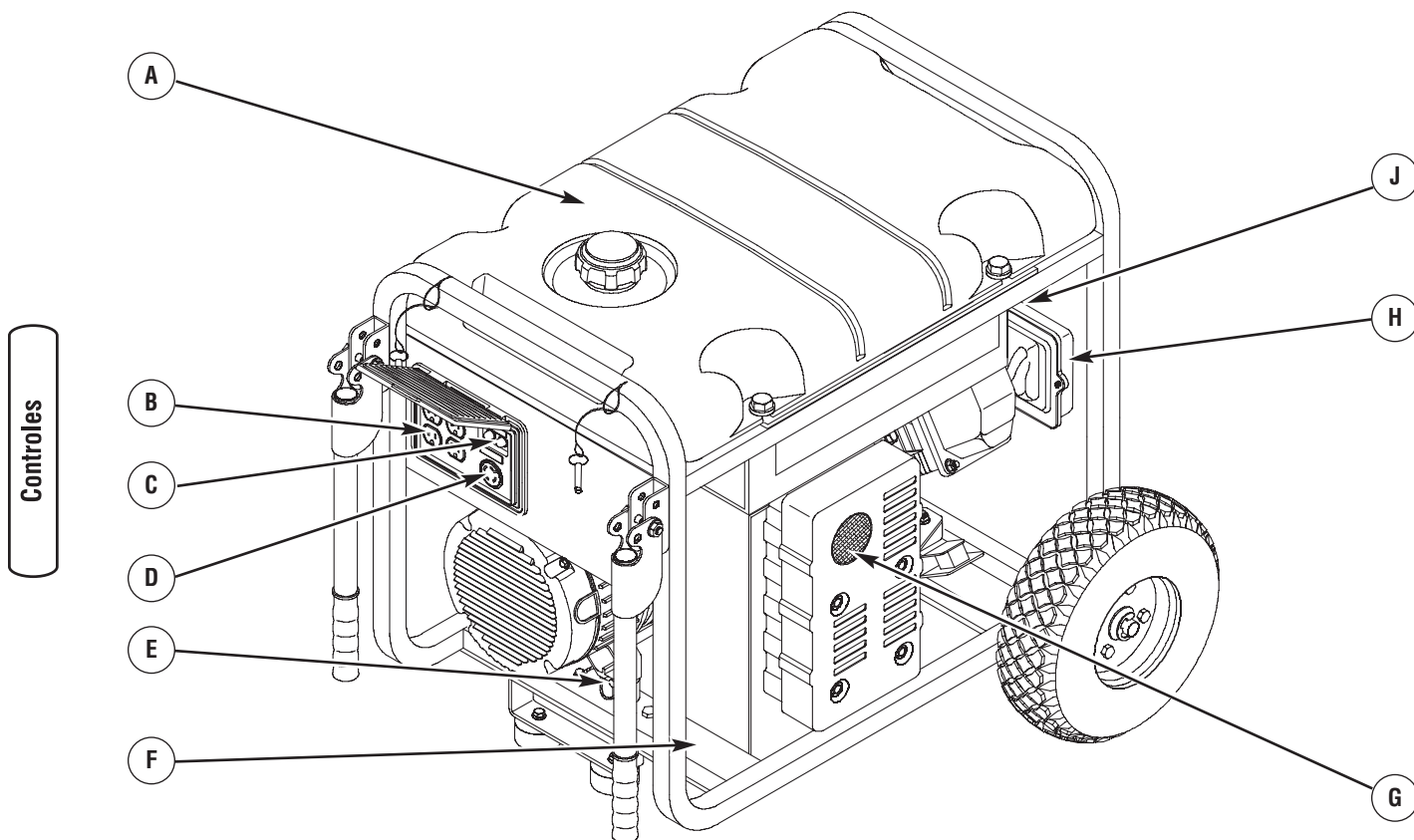


## Controles y características



Lea este Manual del Operario y reglas de seguridad antes de poner en marcha su generador.

Compare las ilustraciones con su generador, para familiarizarse con la ubicación de los diversos controles y ajustes. Guarde este manual para futuras consultas.



**A - Tanque del Combustible** — El tanque tiene una capacidad de 26,5 L (7 galones americanos) de gasolina sin contenido de plomo.

**B - Tomacorriente Dobles de 120 Voltios AC, 20 Amp** — Pueden ser utilizados para suministrar alimentación eléctrica para el funcionamiento de cargas del motor, herramientas, aparatos especiales e iluminación eléctrica de 120 Voltios AC a 20 Amperios, monofásica de 60 Hz.

**C - Cortacircuitos (AC)** — Cada tomacorriente posee un cortacircuito para proteger el generador contra sobrecargas eléctricas. Los cortacircuitos son del tipo “oprimir para reposicionar”.

**D - Tomacorriente con Dispositivo de Seguridad de 120/240 Voltios, 30 Amp** — Puede ser utilizado para suministrar alimentación eléctrica para el funcionamiento de cargas del motor, herramientas, aparatos especiales e iluminación eléctrica de 120 y/o 240 Voltios AC a 30 Amperios, monofásica de 60 Hz.

**E - Conector de Tierra** — Consulte con el organismo responsable de la normativa vigente de conexión a tierra.

**F - Etiqueta de Datos** — Proporciona el modelo, revisión y el número de serie de generador. Tenga por favor estos prontamente disponible cuándo llamar para la ayuda.

**G - Silenciador Apagachispas** - El silenciador disminuye el ruido del motor y está equipado con una pantalla apagachispas.

**H - Depurador de Aire** — Filtra el aire de entrada a medida que penetra en el motor.

**J - Palanca Estranguladora** — Usada cuando se está dando arranque a un motor frío.

### No mostrado:

**Cargador de Flotación de la Batería** — Utilice el enchufe hembra del cargador de flotación de la batería para mantener la batería de arranque cargada y preparada para el uso.

**Culatazo el Principio** — Usó para comenzar motor.

**Identificación del Motor** — Indica el modelo, tipo y código del motor. Tenga por favor estos prontamente disponible cuándo llamar para la ayuda.

**Interruptor Balancín del Motor** — Deberá estar en la posición “On” (En) para darle arranque al motor. Colóquelo en la posición “Off” (Apagado) para detener un motor en funcionamiento.

**Interruptor de Arranque** — Mantenga pulsado el interruptor en la posición de arranque durante un máximo de 15 segundos cada vez que intente arrancar, hasta conseguirlo.

**Tapa del Depósito del Aceite** — Llene el motor con aceite aquí.

**Tapón de Vaciado de Aceite** — Permite vaciar el aceite del motor.

**Válvula de Combustible** — Permite abrir y cerrar la alimentación de combustible al motor.

## Juegos de cordones y enchufes conectores

Utilice exclusivamente cables prolongadores de alta calidad, bien aislados y con conexión a tierra para la toma doble de 120 V del generador. Examine los cables prolongadores antes de cada uso.

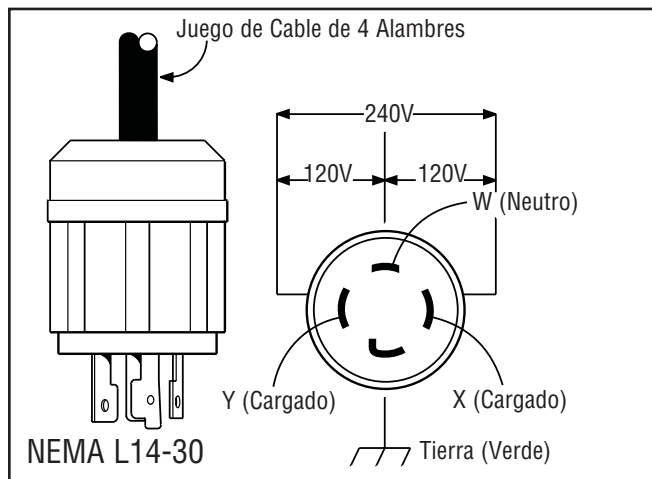
Revise las capacidades de todos los cordones de extensión antes de usarlos. Los juegos de cordones de extensión utilizados deberán tener una capacidad de 125 Voltios AC a 20 Amperios o mayor para la mayoría de los dispositivos eléctricos. Sin embargo, algunos dispositivos podrían no requerir este tipo de cordón de extensión. Revise el manual del propietario de esos dispositivos para ver las recomendaciones del fabricante.

Utilice cables prolongadores de la menor longitud posible para reducir al mínimo la caída de tensión.

<b>⚠ ADVERTENCIA</b>	
	Los cables eléctricos sobrecargados pueden recalentarse, formar un arco o quemarse, provocando la muerte, lesiones y/o daños materiales.
<ul style="list-style-type: none"> <li>• Utilice exclusivamente cables regulados para las cargas aplicadas.</li> <li>• Respete todas las medidas de seguridad de los cables eléctricos.</li> </ul>	

### Dispositivo de seguridad de 120/240 V, 30 A

Use un tapón NEMA L14-30 con este receptáculo. Conecte un juego de cable de 4 alambres, clasificado como 250 Voltios AC a 30 Amps (o mayor). Usted puede usar el mismo cable de 4-alambres si planea trabajar con una carga de 120 Voltios.

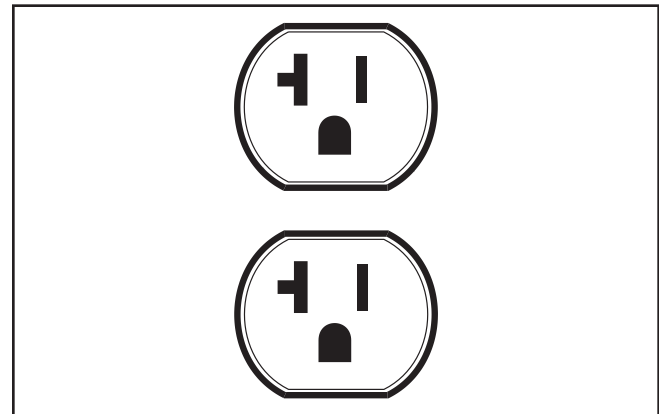


Este receptáculo le provee poder a cargas de 120/240 Voltios AC, de 60 Hz, fase sencilla, que requieren hasta 3,100 vatios de energía a 25,8 Amperios, para 120 Voltios; 6,200 vatios de energía (6,2 kW) a 25,8 Amperios para 240 Voltios. La salida está protegida por un corto-circuito de, del tipo "empuje para reposicionar".

<b>AVISO</b>
Las tomas eléctricas pueden marcar un valor nominal mayor que la capacidad de salida del generador.
<ul style="list-style-type: none"> <li>• NUNCA intente conectar un dispositivo que requiera más amperaje del que el generador o la toma eléctrica pueden suministrar.</li> <li>• NO sobrecargar el generador. Véase <i>No sobrecargar el generador</i>.</li> </ul>

### Tomas eléctricas dobles de 120 V CA y 20 A

Cada receptáculo está protegida por un corto-circuito de, del tipo "empuje para reposicionar".



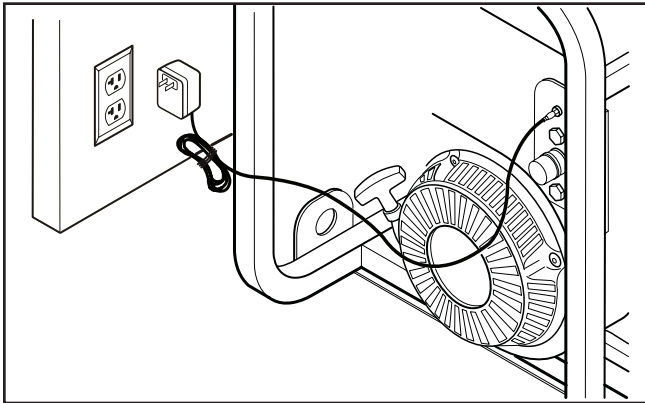
Use cada receptáculo para operar 120 Voltios AC, de fase sencilla, de cargas de 60Hz que requieren hasta 2,400 vatios (2,4 kW) a corrientes de 20 Amps. Use los juegos de cables que son calificados para cargas de 125 Voltios AC, a 20 Amps (o mayores).

Controles

## Cargador de flotación de la batería

Utilice el conector del cargador de flotación de la batería para mantener la batería de arranque cargada y preparada para el uso. La carga de la batería se debe realizar en un lugar seco, como el interior de un garaje.

1. Conecte el cargador al enchufe hembra "Battery Float Charger" (Cargador de flotación de la batería) de la unidad, que se encuentra en el interruptor de arranque. Enchufe el cargador de la batería a una toma de pared de 120 V CA.



Controles

2. Desconecte el cargador de la unidad y del enchufe de la pared durante el arranque del generador y mientras esté funcionando.
3. Mantenga el cargador enchufado cuando el generador no se esté utilizando, para prolongar la vida de la batería. El cargador incorpora un ecualizador de flotación que impide la sobrecarga de la batería, incluso aunque esté enchufado durante un largo periodo de tiempo.

**IMPORTANTE:** Para obtener más información al respecto, consulte *Mantenimiento de la Batería*.

# Operando

## Encienda el motor

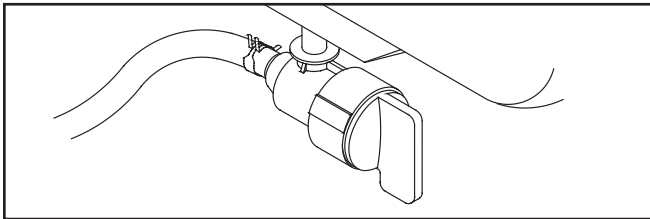
**IMPORTANTE:** Desenchufe siempre el cargador de flotación de la batería antes de arrancar el generador.

Desconecte todas las cargas eléctricas del generador. Use las siguientes instrucciones para encender:

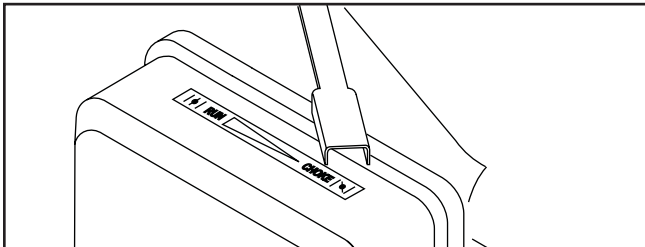
1. Asegúrese de que la unidad está en una superficie plana.

**IMPORTANTE:** Si la unidad no se arranca y utiliza en una superficie plana, se pueden producir problemas de arranque y de parada durante el funcionamiento.

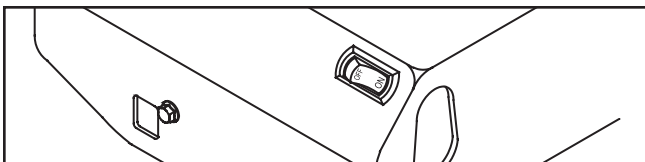
2. Gire la válvula del combustible a la posición "On". El asidero de la válvula del combustible debe ser vertical (señalar hacia el suelo) para el combustible para fluir.



3. Mueva la palanca estranguladora hasta la posición "Choke" (Estrangular) (I\|).



4. Sitúe el interruptor balancín del motor en la posición "On".



5A. **Para el arrancado eléctrico**, presione el interruptor de arranque en el marco del generador, hasta que arranque la máquina. Para prolongar la vida media de los componentes del arrancador, no presione más de 15 segundos el botón de arranque y luego repita la acción después de una pausa de 1 minuto.

- Si el motor arranca, continúe con el paso 7.
- Si el motor no arranca, proceda con el paso 6.

**NOTA:** Si la batería se descarga, siga las instrucciones manuales de arrancado.

5B. **Para el arranque manual**, hale la manija de retroceso, en forma suave hasta que sienta resistencia, Luego para arrancar el motor hacer tracción en forma rápida una sola vez.

- Si el motor arranca, continúe con el paso 7.
- Si el motor no arranca, proceda con el paso 6.



## ADVERTENCIA



El retroceso (repliegue rápido) del cable del arrancador puede producir lesiones. El retroceso impedirá que el usuario suelte el cable a tiempo y tirará de su mano y brazo hacia el motor.

Como resultado, podrían producirse fracturas, contusiones o esguinces.

- Cuando arranque el motor, tire lentamente del cable hasta sentir una resistencia y, a continuación, tire rápidamente de él para evitar su retroceso.
- NUNCA arranque o pare el motor cuando haya aparatos eléctricos conectados y en funcionamiento.

6. Mueva la palanca de choque hasta la posición "Half" (media) y accione dos veces la manija de retroceso.

- Si el motor no arranca, repita los pasos desde 5 hasta 7.

7. Coloque la palanca de retroceso en la posición de "Run" (I\|). Si el motor vacila, mueva la palanca de retroceso hasta la posición media "Half" hasta que el motor marche suavemente y luego colóquelo en la posición de marcha "Run" (I\|).

**IMPORTANTE:** Si el motor se desborda, coloque la palanca estranguladora en la posición "Run" (I\|) e intente arrancarlo hasta conseguirlo.



## ADVERTENCIA



El contacto con la zona del silenciador puede producir quemaduras graves.



Los gases y el calor de escape pueden inflamar los materiales combustibles y las estructuras o dañar el depósito de combustible y provocar un incendio.

- NO toque las superficies calientes y EVITE los gases del escape a alta temperatura.
- Permita que el equipo se enfríe antes de tocarlo.
- Deje un espacio mínimo de 1.5 m (5 pies) alrededor del generador, incluida la parte superior.
- El Código de Normativa Federal (CFR, Título 36: Parques, Bosques y Propiedad Pública) obliga a instalar una pantalla apagachispas en los equipos con motor de combustión interno y a mantenerla en buenas condiciones de funcionamiento, conforme a la norma 5100-1C (o posterior) del Servicio Forestal de la USDA. En el Estado de California, la ley exige el uso de una pantalla apagachispas (Sección 4442 del Código de Recursos Públicos de California). En otros estados puede haber leyes similares en vigor.

**NOTA:** Si el motor arranca después de tirar tres veces del arrancador pero no sigue funcionando, o si la unidad se para en funcionamiento, asegúrese de que la unidad está en una superficie plana y compruebe que el nivel de aceite del cigüeñal es correcto. La unidad puede equiparse con un dispositivo de protección de bajo nivel de aceite. En caso afirmativo, el nivel del aceite debe ser adecuado para que el motor arranque.

### Conexión de cargas eléctricas

1. Deje que el motor se estabilice y se caliente por dos minutos después del arranque.
2. Enchúfelo y encienda la carga eléctrica deseada (120 V CA, monofásico, 60 Hz.)

**NOTA:**

- NO conectar cargas de 240 V en las tomas eléctricas dobles.
- NO conectar cargas trifásicas al generador.
- NO conectar cargas de 50 Hz al generador.
- NO SOBRECARGAR EL GENERADOR. Véase *No sobrecargar el generador*.

### AVISO

El sobrepasar la capacidad del amperaje y vataje del generador, puede dañar al generador y los aparatos eléctricos conectados al mismo.

- Vea *No sobrecargue generador*.
- Encienda su generador y deje que el motor se estabilice antes de conectar las cargas eléctricas.
- Conecte las cargas eléctricas en la posición de apagado (OFF), luego encienda (ON) para su operación.
- Apague (OFF) las cargas eléctricas y desconéctelas del generador antes de parar el generador.

### Parada del motor

1. Desconecte todas las cargas eléctricas de los tomacorrientes del panel del generador. NUNCA de arranque o detenga el motor con todos los dispositivos eléctricos conectados y encendidos.
2. Deje que el motor funcione sin cargas por algunos minutos para estabilizar las temperaturas internas del motor y el generador.
3. Sitúe el interruptor balancín en la posición "Off".



### ADVERTENCIA



El motor podría petardear, incendiarse o dañarse.

- NO coloque la palanca estranguladora en la posición "Choke" (I\I) para parar el motor.

4. Gire la válvula de combustible blanca hasta la posición "Off".



## No sobrecargar el generador

### Capacidad

Debe asegurarse de que su generador puede proveer los suficientes vatios de potencia continua (vatiage nominal) y vatios de salida para los elementos que desee alimentar al mismo tiempo. Siga estos sencillos pasos:

1. Seleccione los elementos que quiere alimentar al mismo tiempo.
2. Suma la potencia nominal de esos elementos. Esa es la cantidad de energía que su generador debe producir para mantener sus elementos en funcionamiento. Vea *Guía de Referencia de Potencia*.
3. Calcule cuántos vatios de salida necesitará. La potencia de salida se refiere al corto arranque de energía que se necesita para arrancar herramientas o dispositivos a motor, como una radial o un refrigerador. Como no todos los motores arrancan al mismo tiempo, el total de vatios de salida puede calcularse añadiendo sólo el elemento con la potencia de salida más alta al total de vatios de potencia continua que obtuvimos en el paso 2.

### Ejemplo:

Herramienta o Aparato Eléctrico	Vatios Calificados (cuando esté funcionando)	Vatios Adicionales de Carga (al encender)
Aire Acondicionado de Ventana	1200	1800
Refrigerador	800	1600
Congelador industrial	500	500
Televisión	500	-
Luz (75 Vatios)	75	-
	Total = 3075 Vatios para funcionar	1800 (Vatios de Carga más alto)

Vatios de potencia continua totales = 3075

Potencia de salida adicional más alta = 1800

Salida total del generador requerida = 4875

### Control de la energía

Para prolongar la vida de su generador y los aparatos que conecte a él, es muy importante tener cuidado cuando se le añaden cargas eléctricas. No deber haber nada conectado a las tomas del generador antes de encender el motor. El modo seguro y correcto de gestionar la energía del generador es añadir las cargas secuencialmente, como se indica a continuación:

1. Sin tener nada conectado al generador, encienda el motor tal como se describe en este manual.
2. Conecte y encienda la primera carga, preferiblemente la mayor que usted tenga.
3. Permita que la salida del generador se estabilice (el motor funciona suavemente y el aparato funciona adecuadamente).
4. Conecte y encienda la próxima carga.
5. De nuevo, permita que el generador se estabilice.

6. Repita los pasos 4 y 5 para cada carga adicional que usted tenga.

NUNCA añada cargas que sobrepasen la capacidad del generador. Tenga especial cuidado en contar con las cargas adicionales en la capacidad del generador, como se describe arriba.

Guía de Referencia de Potencia		
Herramienta o aparato	Vatios de potencia* continua	Vatios de potencia de salida adicional
<b>Básicos</b>		
Bombilla de 75 vatios	75	-
Congelador industrial	500	500
Bomba para sumideros	800	1200
Refrigerador / Congelador – 18 pies cúbicos	800	1600
Bomba de agua – 1/3 HP	1000	2000
<b>Calefacción / Aire Acondicionado</b>		
Aire acondicionado de ventana – 10.000 BTU	1200	1800
Ventilador de ventana	300	600
Ventilador de caldera – 1/2 HP	800	1300
<b>Cocina</b>		
Horno microondas – 1000 vatios	1000	-
Cafetera	1500	-
Estufa eléctrica – Elemento simple	1500	-
Plancha de cocina	2500	-
<b>Habitación familiar</b>		
Reproductor de DVD/CD	100	-
VCR	100	-
Receptor estéreo	450	-
Televisión en color – 27"	500	-
Ordenador personal con monitor de 17"	800	-
<b>Otros</b>		
Sistema de seguridad	180	-
Radio-reloj AM/FM	300	-
Dispositivo de apertura de garage – 1/2 HP	480	520
Calentador de agua eléctrico – 150 litros aprox. (40 galones)	4000	-
<b>Taller</b>		
Luz halógena de cuarzo para trabajar	1000	-
Rociador sin aire – 1/3 HP	600	1200
Sierra sable	960	960
Taladro eléctrico – 1/2 HP	1000	1000
Sierra Radial – 10"	1500	1500
Sierra inglete – 10"	1800	1800
Cepilladora de mesa – 6"	1800	1800
Sierra de mesa / Sierra de brazo radial – 10"	2000	2000
Compresor de aire – 1-1/2 HP	2500	2500

\*La potencia que aparece en la lista es aproximada.

Compruebe la herramienta o aparato eléctrico para obtener la potencia real.

# Mantenimiento

## Plan de mantenimiento

Siga los intervalos de horas o de calendario, los que sucedan antes. Si opera en condiciones adversas (señaladas más abajo) es necesario un mantenimiento más frecuente.

Plan de Mantenimiento - Anote las Fechas a Medida que Lleve a Cabo las Operaciones de Mantenimiento							
TAREAS DE MANTENIMIENTO	INTERVALOS DE MANTENIMIENTO					FECHAS DE MANTENIMIENTO	
	Antes de cada uso	Cada 25 horas o una vez al año	Cada 50 horas o una vez al año	Cada 100 horas o una vez al año	Cada 250 horas o una vez al año		
Limpie los residuos	X						
Compruebe el nivel de aceite	X						
Cambie el aceite del motor			X <sup>1</sup>				
Servicio al filtro de aire		X <sup>2</sup>					
Servicio a la bujía				X			X
Servicio al sistema de la bujía				X			X
Limpie el sistema de refrigeración				X <sup>2</sup>			
Compruebe la holgura de la válvula					X		
Prepar almacenamiento	Si la unidad permanecerá sin uso por más de 30 días.						

<sup>1</sup> Cambie el aceite después de las primeras 5 horas de funcionamiento y, en lo sucesivo, cada 50 horas o una vez al año, lo que suceda antes. Cámbielo antes si el motor funciona en condiciones de suciedad o polvo.

<sup>2</sup> Sustitúyalo con más frecuencia en condiciones de suciedad o polvo.

### Recomendaciones Generales

El mantenimiento periódico mejorará el rendimiento y prolongará la vida útil del generador. Acuda a un distribuidor autorizado para reparar la unidad.

La garantía del generador no cubre los elementos que hayan sido sujetos al abuso o negligencia del operador. Para recibir el valor completo de la garantía, el operador deberá mantener el generador de la forma descrita en este manual.

Se deberán llevar a cabo algunos ajustes periódicamente para mantener correctamente su generador.

Todos los ajustes de la sección Servicio y Ajustes de este manual deberán ser hechos por lo menos una vez en cada estación. Cumpla con los requisitos de la tabla "Plan de Mantenimiento" descrita anteriormente.

**NOTA:** Una vez al año deberá limpiar o reemplazar la bujía y reemplazar el filtro de aire. Una bujía nueva y un filtro de aire limpio garantizan una mezcla de combustible-aire adecuada y ayuda a que su motor funcione mejor y tenga una vida útil más prolongada.

### Control de emisiones

**Cualquier establecimiento o individuo especializado en la reparación de motores que no sean de automoción puede encargarse del mantenimiento, la sustitución y la reparación de los dispositivos y sistemas de control de emisiones.** No obstante, para realizar la revisión gratuita de control de emisiones, deberá acudir a un distribuidor autorizado por el fabricante. Véase *Garantía de emisiones*.

### Mantenimiento del generador

El mantenimiento del generador consiste en conservar la unidad limpia y seca. Opere y almacene la unidad en un ambiente limpio y seco donde no será expuesta al polvo, suciedad, humedad o vapores corrosivos. Las ranuras del aire de enfriamiento del generador no deben estar tapadas con nieve, hojas, o cualquier otro material extraños.

**NOTA:** NO utilice agua u otros líquidos para limpiar el generador. Los líquidos pueden penetrar en el circuito de combustible del motor y provocar pérdidas de rendimiento o fallos. Asimismo, si penetran líquidos en el generador a través de las ranuras del aire de refrigeración, parte del líquido puede permanecer en los huecos y rendijas del aislamiento del devanado del rotor y del estator. El líquido y la acumulación de suciedad en los devanados internos del generador pueden reducir la resistencia del aislamiento.

### Limpieza

Limpie a diario, o antes de cada uso, los residuos acumulados en el generador. Mantenga limpias las conexiones, los muelles y los mandos. Limpie todo resto de combustible de la zona que rodea al silenciador y de detrás del mismo. Inspeccione las ranuras para aire de enfriamiento y la apertura del generador. Estas aperturas deberán mantenerse limpias y despejadas.

Mantenga limpios los componentes del generador para reducir el riesgo de sobrecalentamiento e ignición de los residuos acumulados.

- Utilice un trapo húmedo para limpiar las superficies exteriores.

## AVISO

El tratamiento inadecuado del generador puede dañarlo y acortar su vida productiva.

- NO exponga al generador a una humedad excesiva, polvo, suciedad o vapores corrosivos.
- NO inserte cualquier objeto a través de las ranuras de enfriamiento.
- Puede usar un cepillo de cerdas suaves para retirar la suciedad endurecida, aceite, etc.
- Puede usar una máquina aspiradora para eliminar suciedad y residuos sueltos.

## Mantenimiento de la batería

La batería inicial no requiere ningún mantenimiento a excepción de la carga de flotación, que se describe en otro apartado. Mantenga la batería y los terminales limpios y secos.

**IMPORTANTE:** La carga de la batería se debe realizar en un lugar seco, como el interior de un garaje.

## Mantenimiento del motor

### ⚠ ADVERTENCIA



Chispear involuntario puede tener como resultado el fuego o el golpe eléctrico.

### CUANDO AJUSTE O HAGA REPARACIONES A SU MÁQUINA GENERADOR

- Siempre desconecte el alambre de la bujía y colóquelo donde no pueda entrar en contacto con la bujía.

### CUANDO PRUEBE LA BUJÍA DEL MOTOR

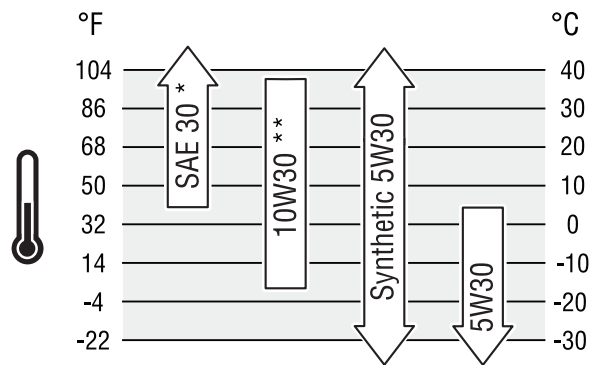
- Utilice un comprobador de bujías homologado.
- NO compruebe la chispa sin la bujía instalada.

## Aceite

### Recomendaciones sobre el aceite

Para obtener el mejor rendimiento, recomendamos utilizar aceites certificados con garantía Briggs & Stratton. También se pueden utilizar otros aceites detergentes de alta calidad con clasificación de servicio SF, SG, SH, SJ o superior. NO utilice aditivos especiales.

Las temperaturas exteriores determinan la viscosidad adecuada del aceite para el motor. Utilice el cuadro para seleccionar la mejor viscosidad para el intervalo de temperatura exterior previsto.



\* Por debajo de 4 °C (40 °F), el uso de aceite SAE 30 provocará dificultades de arranque.

\*\* Por encima de 27 °C (80 °F) el uso de aceite 10W30 puede aumentar el consumo de aceite. Compruebe el nivel de aceite con mayor frecuencia.



**NOTA:** Todo aceite sintético que cumpla las especificaciones ILSAC GF-2, con marca de certificación API y con símbolo de servicio API (se muestra a la izquierda) con "SJ/CF ENERGY CONSERVING" o superior es un aceite aceptable a todas las temperaturas. El uso de aceite sintético no altera los intervalos de cambio de aceite indicados.

## Comprobación del nivel de aceite

Compruebe el nivel de aceite antes de cada uso o cada 5 horas de funcionamiento, como mínimo. Rellene si es necesario.

1. Coloque el generador sobre una superficie nivelada.
2. Quite el tapón de llenado de aceite y límpielo con un trapo.
3. Compruebe que el aceite llega hasta el punto de desbordamiento en el orificio de llenado.
4. Instale el tapón de llenado de aceite, apriete firmemente.

## Adición de aceite del motor

1. Asegúrese de que la generador esté en una superficie plana.
2. Compruebe el nivel de aceite tal como se indica en la sección *Comprobación del nivel de aceite*.
3. Si es necesario, vierta lentamente aceite por el orificio de llenado hasta el punto de desbordamiento en el tapón de llenado de aceite.
4. Instale el tapón de llenado de aceite, apriete firmemente.

## Cambio de aceite del motor

Cambie el aceite después de las primeras 5 horas de operación. Cambie el aceite cada 50 horas de ese momento en adelante. Si está utilizando su generador bajo condiciones de extrema suciedad o polvo, o en un clima demasiado caliente, haga el cambio de aceite más frecuentemente.

### AVISO

Evite el contacto prolongado o repetido de piel con aceite usado de motor.

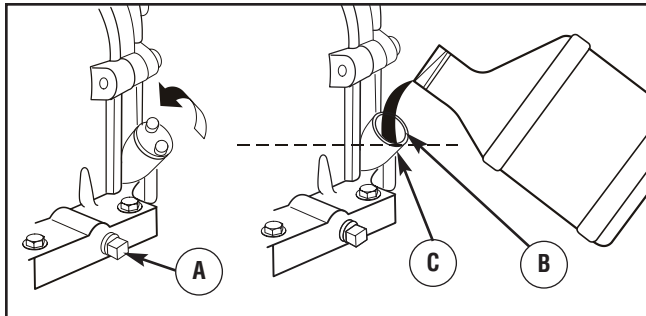
- El aceite usado del motor ha sido mostrado al cáncer de la piel de la causa en ciertos animales del laboratorio.
- Completamente lavado expuso áreas con el jabón y el agua.



MANTENER FUERA DEL ALCANCE DE LOS NIÑOS.  
NO CONTAMINE. CONSERVE LOS RECURSOS.  
DEPOSITE EL ACEITE USADO EN UN PUNTO DE RECOGIDA.

## Cambie el aceite cuando el motor siga estando caliente después de haber funcionado:

1. Asegúrese de que la unidad esté en una superficie plana.
2. Desconecte el cable de la bujía de esta y colóquelo donde no pueda entrar en contacto con la bujía.
3. Limpie la zona de alrededor del tapón de vaciado de aceite (A), situado en la base del motor, al otro lado del carburador.



4. Quite el tapón de llenado de aceite y vacíe todo el aceite en un recipiente adecuado.
5. Vuelva a colocar el tapón de vaciado y apriételo bien. Quite el tapón de llenado de aceite.
6. Vierta lentamente unos 0,83 litros (28 onzas) de aceite por el orificio de llenado (B) hasta el punto de desbordamiento (C). NO añada aceite en exceso.
7. Vuelva a colocar el tapón de llenado de aceite. Apriételo firmemente a mano.
8. Limpie los residuos de aceite.

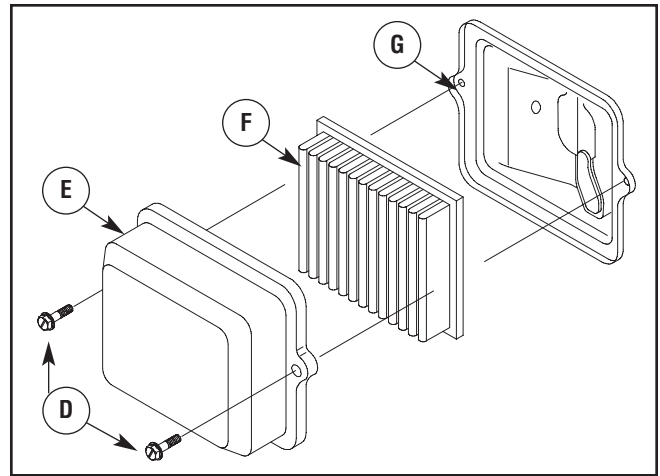
## Servicio del depurador de aire

Si se utiliza con un filtro de aire sucio, el motor no funcionará correctamente y puede sufrir daños.

Cambie el filtro de aire cada 25 horas de funcionamiento o una vez al año, lo que suceda antes. Haga cambios más frecuentes si trabaja en zonas sucias o donde hay polvo.

## Para dar servicio al filtro de aire, siga los pasos que se detallan a continuación:

1. Afloje los tornillos (D) y quite la cubierta más limpia (E).

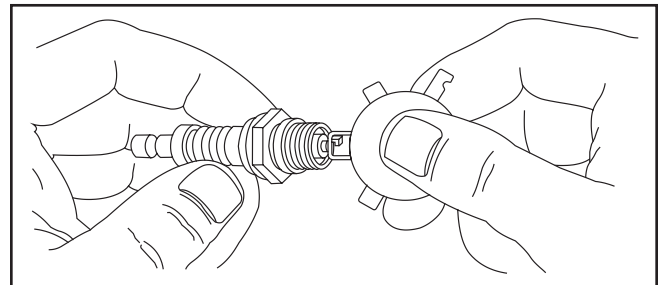


2. Con cuidado quite el cartucho (F) de la base (G).
3. Instale el nuevo (o limpio) filtro de aire en la cubierta más limpia dentro de la cubierta. Deshágase del filtro viejo apropiadamente.
4. Arme la cubierta más limpia en la base y apriete los tornillos.

## Servicio de la bujía

Cambie la bujía cada 100 horas de funcionamiento o una vez al año, lo que suceda antes. Esto ayudará a su motor a arrancar más fácilmente y funcionar mejor.

1. Limpie la zona de alrededor de la bujía.
2. Retire e inspeccione la bujía.
3. Compruebe la separación del electrodo con un calibre de alambre y ajuste el espacio de la bujía a la medida recomendada si fuera necesario (véase *Especificaciones*).




4. Cambie la bujía si los electrodos están picados o quemados o si la porcelana está agrietada. Utilice la bujía de repuesto recomendada. Consulte *Especificaciones*.
5. Instale la bujía y apriete firmemente.

### Limpie la Pantalla Apagachispas

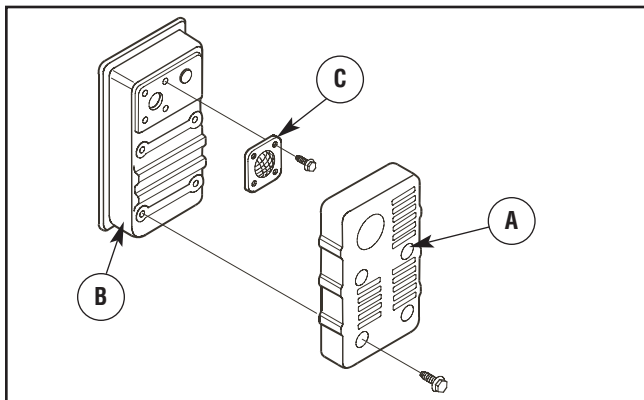
El silenciador del escape del motor posee una pantalla apagachispas. Inspeccione y limpie la pantalla cada 100 horas de operación o una vez al año, lo que suceda primero.

El generador tendrá que tener un apagachispas si lo usa en terrenos no tratados cubiertos de monte, maleza o pasto. El apagachispas deberá ser mantenido en buenas condiciones por parte del propietario/operador.

<b>⚠ ADVERTENCIA</b>	
	El contacto con la zona del silenciador puede producir quemaduras graves.
	Los gases y el calor de escape pueden inflamar los materiales combustibles y las estructuras o dañar el depósito de combustible y provocar un incendio.
<ul style="list-style-type: none"> <li>• NO toque las superficies calientes y EVITE los gases del escape a alta temperatura.</li> <li>• Permita que el equipo se enfríe antes de tocarlo.</li> <li>• Deje un espacio mínimo de 1.5 m (5 pies) alrededor del generador, incluida la parte superior.</li> <li>• El Código de Normativa Federal (CFR, Título 36: Parques, Bosques y Propiedad Pública) obliga a instalar una pantalla apagachispas en los equipos con motor de combustión interno y a mantenerla en buenas condiciones de funcionamiento, conforme a la norma 5100-1C (o posterior) del Servicio Forestal de la USDA. En el Estado de California, la ley exige el uso de una pantalla apagachispas (Sección 4442 del Código de Recursos Públicos de California). En otros estados puede haber leyes similares en vigor.</li> </ul>	

### Limpie e inspeccione el apagachispas de la siguiente manera:

1. Para retirar la protección del silenciador (A) de silenciador (B), retire los cuatro tornillos que conectan la protección a la ménsula del silenciador.

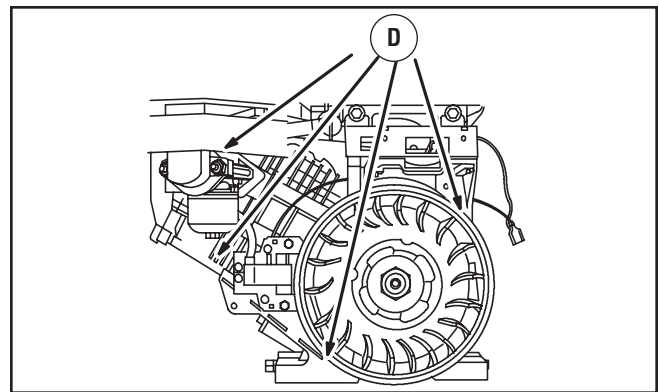


2. Retire los cuatro tornillos que sostienen la pantalla apagachispas (C).

3. Inspeccione la pantalla y reemplácela si está rota, perforada o dañada. NO use pantallas defectuosas. Si la pantalla no está dañada, límpiela con un disolvente comercial.
4. Vuelva a instalar la pantalla y la protección del silenciador.

### Sistema de refrigeración de aire

Con el tiempo, se pueden acumular residuos en las aletas de refrigeración del cilindro y pasar inadvertidos mientras no se desmonte parcialmente el motor. Recomendamos que encargue la limpieza del sistema de refrigeración (D) a un distribuidor autorizado de Briggs & Stratton siguiendo los intervalos recomendados (consulte la sección *Plan de Mantenimiento* en la sección *Mantenimiento*). Es igualmente importante que no se acumulen residuos en la parte superior del motor ni en la pantalla giratoria. Consulte la sección *Limpieza*.



### Comprobación de holgura de la válvula

Si comprueba y ajusta la holgura de la válvula regularmente, el funcionamiento del motor mejorará y tendrá una mayor vida útil. Este procedimiento no puede llevarse a cabo sin desmontar parcialmente el motor y sin usar herramientas especiales. Por esta razón, le recomendamos que un distribuidor autorizado compruebe y ajuste la holgura de la válvula siguiendo los intervalos recomendados (consulte la sección *Plan de Mantenimiento* en la sección *Mantenimiento*).

### Ajuste del carburador

El carburador de este motor es de baja emisión. Está equipado con una válvula de mezcla de ralenti no ajustable y, en algunos casos, con ralenti regulado. Los niveles de ralenti regulado y velocidad máxima se ajustan en la fábrica. Si es necesario modificarlos, acuda a un distribuidor autorizado.

<b>⚠ PRECAUCIÓN</b>	
Las velocidades de operación en exceso, aumentan los riesgos de heridas y daños al generador.	
Las velocidades bajas en exceso, imponen una carga muy pesada.	
<ul style="list-style-type: none"> <li>• NO cambie ninguna velocidad determinada. El generador suministra una frecuencia y un voltaje calificado cuando funciona a una velocidad determinada.</li> <li>• NO modifique al generador en ninguna forma.</li> </ul>	

Mantenimiento

## Almacenamiento

El generador deberá ser encendido al menos una vez cada siete días y deberá dejarlo funcionar al menos durante 30 minutos. Si no puede hacer esto y debe almacenar la unidad por más de 30 días, siga las siguientes instrucciones para preparar su unidad para almacenamiento.

### Generador


1. Limpie el generador como está descrito en *Limpieza*.
2. Revise que las ranuras para el aire de enfriamiento y las aperturas del generador se encuentren abiertas y despejadas.

### Almacenamiento para periodos prolongados

El combustible puede estar pasado 30 días después de su almacenamiento. El combustible pasado provoca la formación de residuos ácidos y de carbonilla en el circuito de combustible y en los componentes básicos del carburador. Para mantener el combustible en buen estado, utilice el estabilizador de combustible FRESH START™ de Briggs & Stratton en cualquiera de sus variantes: líquido o cartucho concentrado con goteo.

Si se añade un estabilizador de combustible conforme a las instrucciones, no será necesario vaciar el motor de combustible. Haga funcionar el motor durante dos minutos para que el estabilizador circule por todo el circuito de combustible. El motor y el combustible se pueden almacenar hasta 24 meses.

Si no se ha añadido un estabilizador de combustible a la gasolina, deberá vaciar completamente el motor utilizando un contenedor homologado. Deje funcionar el motor hasta que se agote el combustible. Se recomienda utilizar un estabilizador de combustible en el contenedor de almacenamiento para mantener la gasolina en buen estado.



 <b>ADVERTENCIA</b>	
	La combustión y sus vapores son extremadamente inflamables y explosivos.
	El fuego o una explosión pueden causar quemaduras severas e inclusive la muerte.
<b>CUANDO ALMACENE O GUARDE EL EQUIPO CON COMBUSTIBLE EN EL TANQUE</b>	
<ul style="list-style-type: none"> <li>• Almacene alejado de calderas, estufas, calentadores de agua, secadoras de ropa u otros aparatos electrodomésticos que posean pilotos u otras fuentes de ignición, porque ellos pueden encender los vapores de la combustión.</li> </ul>	
<b>CUANDO VACÍE EL DEPÓSITO</b>	
<ul style="list-style-type: none"> <li>• Apague el generador (posición OFF) y déjelo enfriar al menos por 2 minutos antes de remover la tapa de la combustión. Afloje la tapa lentamente para dejar que la presión salga del tanque.</li> <li>• Vacíe el depósito de combustible a la intemperie.</li> <li>• Mantenga la combustión alejada de chispas, llamas abiertas, pilotos, calor y otras fuentes de ignición.</li> <li>• NO encienda un cigarrillo o fume.</li> </ul>	

## Cambio de aceite

Con el motor todavía caliente, drene el aceite de la caja del cigüeñal. Vuelva a llenarlo con el grado de aceite recomendado.



### Aceite el diámetro interior del cilindro

- Quite la bujía y vierta aproximadamente 15 ml (1/2 onza) de aceite de motor limpio en el interior del cilindro.
- Coloque la bujía y arranque lentamente para distribuir el aceite.

 <b>ADVERTENCIA</b>	
	Chispear involuntario puede tener como resultado el fuego o el golpe eléctrico.
<ul style="list-style-type: none"> <li>• NUNCA arranque el motor sin la bujías instalada.</li> </ul>	

### Otras sugerencias para el almacenamiento

1. NO guarde combustible de una temporada a otra a menos que lo haya tratado como se indica en la sección *Almacenamiento Para Periodos Prolongados*.
2. Reemplace la caneca de gasolina si comienza a oxidarse. El óxido y/o la suciedad en la gasolina le causará problemas.
3. Cubra su unidad con una cubierta de protección adecuada que no retenga humedad.

 <b>ADVERTENCIA</b>	
	Las cubiertas para almacenamiento pueden ser inflamables.
<ul style="list-style-type: none"> <li>• NO coloque una cubierta encima de un generador caliente.</li> <li>• Deje que la unidad se enfríe lo suficientemente antes de que le coloque la cubierta.</li> </ul>	

4. Almacene la unidad en un área limpia y seca.

# Resolución de problemas

Problema	Causa	Accion
<b>El motor está funcionando pero no existe salida de AC disponible.</b>	<ol style="list-style-type: none"> <li>1. El interruptor automático de circuito está abierto.</li> <li>2. Conexión mal o defectuosa del juego de cables.</li> <li>3. El dispositivo conectado está dañado.</li> <li>4. Avería en el generador.</li> </ol>	<ol style="list-style-type: none"> <li>1. Reposicione el interruptor.</li> <li>2. Revise y repare.</li> <li>3. Conecte otro dispositivo que esté buenas condiciones.</li> <li>4. Contacte el distribuidor de servicio autorizado.</li> </ol>
<b>El motor funciona bien sin carga pero "funciona mal" cuando se le conectan cargas.</b>	<ol style="list-style-type: none"> <li>1. Corto circuito en una de las cargas conectadas.</li> <li>2. El generador está sobrecarga.</li> <li>3. Velocidad del motor es muy lenta.</li> <li>4. Circuito del generador en corto.</li> </ol>	<ol style="list-style-type: none"> <li>1. Desconecte la carga eléctrica en corto.</li> <li>2. Vea <i>No Sobrerecarque Generador</i>.</li> <li>3. Contacte el distribuidor de servicio autorizado.</li> <li>4. Contacte el distribuidor de servicio autorizado.</li> </ol>
<b>El motor no se enciende; o se enciende y funciona mal.</b>	<ol style="list-style-type: none"> <li>1. Válvula del combustible en posición "Off".</li> <li>2. Interruptor balancín poscioando en "Off".</li> <li>3. Depurador de aire sucio.</li> <li>4. Sin gasolina.</li> <li>5. Gasolina vieja.</li> <li>6. El cable de la bujía no está en malas la bujía.</li> <li>7. Bujía defectuosa.</li> <li>8. Agua en la gasolina.</li> <li>9. Sobrecebado.</li> <li>10. Mezcla de combustible excesivamente rica.</li> <li>11. La válvula de entrada está atascada está cerrada.</li> <li>12. El motor ha perdido compresión.</li> </ol>	<ol style="list-style-type: none"> <li>1. Gire la válvula del combustible a la posición "On".</li> <li>2. Coloque del interruptor balancín en "On".</li> <li>3. Limpie o reemplace el depurador de aire.</li> <li>4. Llénelo con combustible fresco.</li> <li>5. Drene el tanque de gasolina; llénelo con combustible fresco.</li> <li>6. Conecte el cable a la bujía.</li> <li>7. Reemplace la bujía.</li> <li>8. Drene el tanque de gasolina; llénelo con combustible fresco.</li> <li>9. Abra por completo el cebador y haga girar el motor.</li> <li>10. Contacte el distribuidor de servicio autorizado.</li> <li>11. Contacte el distribuidor de servicio autorizado.</li> <li>12. Contacte el distribuidor de servicio autorizado.</li> </ol>
<b>El motor se apaga en pleno funcionamiento.</b>	Sin gasolina.	Llene el tanque de combustible.
<b>Al motor le hace falta potencia.</b>	<ol style="list-style-type: none"> <li>1. La carga es muy alta.</li> <li>2. Filtro de aire sucio.</li> </ol>	<ol style="list-style-type: none"> <li>1. Vea <i>No Sobrerecarque Generador</i>.</li> <li>2. Reemplace el filtro de aire.</li> </ol>
<b>El motor "no funciona continuamente" o se detiene.</b>	Carburador con mezcla de aire-combustible muy rica o muy pobre.	Contacte el distribuidor de servicio autorizado.

# Garantías

## Garantía del sistema de control de emisiones

**Briggs & Stratton Corporation (B&S), el California Air Resources Board (CARB, Consejo de recursos de aire de California) y la United States Environmental Protection Agency (U.S. EPA, Agencia estadounidense de protección del medioambiente)**

**Declaración de garantía del sistema de control de emisiones (derechos y obligaciones del propietario para la garantía contra defectos)**

### Garantía contra defectos del sistema de control de emisiones de California, Estados Unidos y Canadá

California Air Resources Board (CARB), U.S. EPA y B&S le explican a continuación la garantía del sistema de control de emisiones de su pequeño motor para máquinas de servicio (SORE, Small Offroad Engine). En California, los modelos de pequeños motores para máquinas de servicio a partir del año 2006 deben estar diseñados, fabricados y equipados conforme a los exigentes estándares de lucha contra la contaminación del Estado. En otros lugares de Estados Unidos, los modelos de motores para máquinas de servicio con encendido por bujía a partir del año 1997 deben cumplir normas similares determinadas por la U.S. EPA. B&S debe garantizar el sistema de control de emisiones de su motor durante los períodos que se indican a continuación, siempre que no se haya hecho un uso indebido o negligente ni un mantenimiento inadecuado del pequeño motor para máquinas de servicio.

El sistema de control de emisiones incluye las siguientes piezas: carburador, filtro de aire, sistema de encendido, conducto de combustible, silenciador y convertidor catalítico. También puede incluir conectores y otros conjuntos relacionados con las emisiones.

Si se cumplen las condiciones de la garantía, B&S reparará el motor sin coste alguno, incluido el diagnóstico, las piezas y la mano de obra.

### Cobertura de la garantía contra defectos del sistema de control de emisiones de Briggs & Stratton

Los pequeños motores para máquinas de servicio están garantizados contra defectos de las piezas de control de emisiones durante un período de dos años, conforme a las siguientes disposiciones. Si cualquier pieza del motor con cobertura es defectuosa, será reparada o sustituida por B&S.

### Responsabilidades de la garantía del propietario

Como propietario del pequeño motor para máquinas de servicio, usted es responsable de la correcta realización de las operaciones de mantenimiento que se enumeran en las Instrucciones de uso y mantenimiento. B&S recomienda conservar todas las facturas relativas al mantenimiento del motor, pero B&S no puede denegar la garantía basándose únicamente en la falta de facturas o en la imposibilidad por parte del propietario de asegurar la correcta realización de todas las operaciones de mantenimiento.

Como propietario del pequeño motor para máquinas de servicio, debe ser consciente de que B&S puede denegar la cobertura de la garantía si el motor o uno de sus componentes falla debido a un uso indebido o negligente, un mantenimiento inadecuado o modificaciones no autorizadas.

Usted es responsable de presentar su pequeño motor para máquinas de servicio a un distribuidor autorizado de servicio B&S en el momento en que surja un problema. Las reparaciones cubiertas por la garantía se llevarán a cabo en un plazo razonable, no superior a 30 días en ningún caso.

En caso de preguntas sobre los derechos y responsabilidades relativos a la garantía, consulte con un representante de servicio de B&S llamando al 1-414- 259-5262.

La garantía de emisiones es una garantía contra defectos. Los defectos se juzgan en función del rendimiento normal del motor. La garantía no dependerá de ninguna prueba de emisiones en funcionamiento.

### Disposiciones de la garantía contra defectos del sistema de control de emisiones de Briggs & Stratton

A continuación se detallan las disposiciones concretas relativas a la Cobertura de la garantía contra defectos del sistema de control de emisiones. Se añaden a la garantía de motores de B&S para motores no regulados, que figura en el Manual del Operario.

#### 1. Piezas garantizadas

La presente garantía cubre únicamente las piezas que se enumeran a continuación (piezas del sistema de control de emisiones) siempre que tales piezas estuvieran presentes en el motor adquirido.

- a. Sistema de regulación de combustible
  - Sistema de enriquecimiento para arranque en frío (estrangulador electrónico)
  - Carburador y piezas internas
  - Bomba de combustible
  - Conducto de combustible, acoplamiento del conducto de combustible, abrazaderas
  - Depósito de combustible, tapón y cadena
  - Bote de carbono
- b. Sistema de inducción de aire
  - Filtro de aire
  - Colector de admisión
  - Línea de purga y ventilación
- c. Sistema de encendido
  - Bujía(s)
  - Sistema de encendido magnético
- d. Sistema catalizador
  - Convertidor catalítico
  - Colector de escape
  - Sistema de inyección de aire o válvula de impulso



- e. Elementos diversos utilizados en los sistemas anteriores
    - Válvulas y conmutadores de aspiración, temperatura, posición y temporizados
    - Conectores y unidades
2. Duración de la cobertura  
 B&S garantiza al propietario inicial y a cada comprador posterior que las piezas garantizadas no tendrán defectos de materiales ni de mano de obra que provoquen su fallo durante un período de dos años a partir de la fecha de entrega del motor a su comprador.
  3. Servicio gratuito  
 La reparación o sustitución de toda pieza garantizada se realizará sin cargo alguno para el propietario, incluido el trabajo de diagnóstico que permita determinar que la pieza garantizada es defectuosa, siempre que se realice en un distribuidor autorizado de servicio B&S. En el caso del servicio de garantía de emisiones, póngase en contacto con el distribuidor autorizado de servicio B&S, que figurará en las Páginas Amarillas, en la sección de "Motores de gasolina", "Gasolina, motores", "Cortacéspedes" o similar.
  4. Solicitudes y exclusiones de cobertura  
 Las solicitudes de garantía se cumplimentarán con arreglo a las disposiciones de la Política de garantía de motores B&S. La cobertura no incluye los fallos de piezas garantizadas que no sean originales de B&S ni los fallos debidos al uso indebido o negligente o al mantenimiento inadecuado, conforme a las disposiciones de la Política de garantía de motores B&S. B&S no será responsable de la cobertura de fallos de piezas garantizadas provocados por el uso de piezas complementarias, no originales o modificadas.
  5. Mantenimiento  
 Los fallos de toda pieza garantizada que no se deba sustituir como parte del plan de mantenimiento obligatorio o que sólo se deba inspeccionar periódicamente para proceder a su "reparación o cambio en caso de ser necesario" quedarán cubiertos durante el período de garantía. Los fallos de toda pieza garantizada que deba sustituirse como parte del mantenimiento obligatorio quedarán cubiertos únicamente durante el período comprendido entre la compra y la primera sustitución indicada en el plan de mantenimiento. En las operaciones de mantenimiento y reparación, se podrá utilizar cualquier pieza de recambio de rendimiento y durabilidad equivalentes. El propietario es responsable del cumplimiento de todas las operaciones de mantenimiento obligatorio que se definen en el manual del operario de B&S.
  6. Cobertura de daños derivados  
 La cobertura se ampliará a los fallos de cualquier componente del motor derivados del fallo de cualquier pieza garantizada y cubierta por la garantía.

## Información sobre emisiones

Los motores con certificación de cumplimiento de la normativa sobre emisiones de nivel 2 del California Air Resources Board (CARB) deben mostrar información sobre el período de durabilidad de las emisiones y el índice de aire. El fabricante del motor ofrece esta información al consumidor mediante etiquetas de emisiones. La etiqueta de emisiones del motor contiene la información de certificación.

El **Período de Durabilidad de las Emisiones** indica el número de horas durante las cuales el motor puede funcionar cumpliendo las normas sobre emisiones, siempre que se realicen las operaciones de mantenimiento que se detallan en las instrucciones de uso y mantenimiento. Se utilizan las siguientes categorías:

**Moderado:** El motor está certificado para cumplir la normativa sobre emisiones durante 125 horas de funcionamiento real.

**Intermedio:** El motor está certificado para cumplir la normativa sobre emisiones durante 250 horas de funcionamiento real.

**Prolongado:** El motor está certificado para cumplir la normativa sobre emisiones durante 500 horas de funcionamiento real.

Por ejemplo, un cortacésped con operario a pie se suele utilizar entre 20 y 25 horas al año. Por tanto, el **Período de Durabilidad de las Emisiones** de un motor con clasificación **intermedia** equivaldría a 10-12 años.

Algunos motores cuentan con la certificación de cumplimiento de la fase 2 de las normas sobre emisiones de la United States Environmental Protection Agency (USEPA, Agencia estadounidense de protección del medioambiente). En el caso de los motores con certificación de fase 2, el período de cumplimiento de la normativa sobre emisiones que figura en la etiqueta de cumplimiento de emisiones indica el número de horas de funcionamiento durante las cuales el motor ha demostrado cumplir los requisitos federales sobre emisiones.

Para motores de menos de 225 cc:

Categoría C = 125 horas

Categoría B = 250 horas

Categoría A = 500 horas.

Para motores de 225 cc o más:

Categoría C = 250 horas

Categoría B = 500 horas

Categoría A = 1000 horas.

## POLÍTICA DE GARANTÍA PARA EL PROPIETARIO DE GENERADOR PORTÁTIL BRIGGS & STRATTON POWER PRODUCTS GROUP, LLC

Fecha de entrada en vigor: 1 de Febrero de 2006. Sustituye a todas las garantías sin fecha y a las de fecha anterior al 1 Febrero de 2006

### GARANTÍA LIMITADA

Briggs & Stratton Power Products Group, LLC reparará o sustituirá sin cargo alguno cualquier componente del generador portátil que presente defectos de materiales y/o mano de obra. Los gastos de transporte de las productos enviadas para reparar o sustituir conforme a los términos de esta garantía correrán a cargo del comprador. El periodo de vigencia y las condiciones de esta garantía son los que se estipulan a continuación. Para obtener servicio en garantía, localice el distribuidor de servicio autorizado más próximo en nuestro mapa de distribuidores, en [www.BRIGGSandSTRATTON.COM](http://www.BRIGGSandSTRATTON.COM).

NO EXISTE NINGUNA OTRA GARANTÍA EXPLÍCITA. LAS GARANTÍAS IMPLÍCITAS, INCLUIDAS LAS DE COMERCIABILIDAD O IDONEIDAD PARA UN FIN CONCRETO, SE LIMITAN A UN AÑO DESDE LA FECHA DE COMPRA O AL LÍMITE DE TIEMPO PERMITIDO POR LA LEY. QUEDAN EXCLUIDAS TODAS LAS GARANTÍAS IMPLÍCITAS QUEDA EXCLUIDA LA RESPONSABILIDAD POR DAÑOS SECUNDARIOS Y DERIVADOS HASTA EL LÍMITE PERMITIDO POR LA LEY. Algunos países o estados no permiten limitar la duración de una garantía implícita ni excluir o limitar los daños secundarios y derivados. Por tanto, es posible que las limitaciones y exclusiones mencionadas no sean aplicables en su caso. Esta garantía le otorga determinados derechos legales y es posible que tenga otros derechos que pueden variar de un país o estado a otro.

### PERÍODO DE GARANTÍA

Uso del consumidor	2 años
Uso comercial	1 año

\* Segundo año despidiendo sólo

El período de garantía comienza en la fecha de compra del primer usuario final y se prolonga durante el tiempo especificado. "Uso del consumidor" significa uso doméstico personal por parte de un consumidor final. "Uso comercial" significa cualquier otro uso, incluidos los usos con fines comerciales, de generación de ingresos o alquiler. Una vez que el equipo se haya usado con fines comerciales, se considerará como equipo de uso comercial a efectos de esta garantía.

NO ES NECESARIO REGISTRAR LA GARANTÍA PARA OBTENER SERVICIO DE BRIGGS & STRATTON PRODUCTS. GUARDE SU RECIBO DE COMPRA. SI NO APORTA LA PRUEBA DE LA FECHA DE COMPRA INICIAL, SE UTILIZARÁ LA FECHA DE FABRICACIÓN DEL PRODUCTO PARA DETERMINAR EL PERÍODO DE GARANTÍA.

### ACERCA DE LA EQUIPO GARANTÍA

Esperamos que disfrute de nuestra garantía y le pedimos disculpas por las molestias causadas. Cualquier distribuidor de servicio autorizado puede llevar a cabo reparaciones en garantía. La mayoría de las reparaciones en garantía se gestionan normalmente, pero algunas veces la solicitud de servicio en garantía puede no ser procedente. Por ejemplo, la garantía no será válida si el equipo presenta daños debidos al mal uso, la falta de mantenimiento, el transporte, la manipulación, el almacenamiento o la instalación inadecuados. De manera similar, la garantía quedará anulada si se ha borrado la fecha de fabricación o el número de serie del generador portátil, o si el equipo ha sido alterado o modificado. Durante el período de garantía, el distribuidor de servicio autorizado podrá reparar o sustituir, a su libre elección, cualquier pieza que, previa inspección, sea defectuosa en condiciones normales de uso y servicio. Esta garantía no cubre las reparaciones y equipos que se detallan a continuación:

- **Desgaste normal:** Al igual que cualquier otro aparato mecánico, los equipos de uso en exteriores necesitan piezas y mantenimiento periódicos para funcionar correctamente. Esta garantía no cubre las reparaciones cuando el uso normal haya agotado la vida útil de una pieza concreta del equipo.
- **Instalación y mantenimiento:** Esta garantía no cubre los equipos ni las piezas cuya instalación sea incorrecta o no haya sido autorizada, ni aquellos que hayan sido objeto de cualquier tipo de alteración, mal uso, negligencia, accidente, sobrecarga, exceso de velocidad o mantenimiento, reparación o almacenamiento inadecuados que, a nuestro juicio, haya afectado negativamente a su funcionamiento y su fiabilidad. La garantía tampoco cubre el mantenimiento normal, como los filtros de aire, los ajustes y la limpieza o la obstrucción del sistema de combustión (debido a materias químicas, suciedad, carbón, cal, y así sucesivamente).
- **Otras exclusiones:** También quedan excluidos de esta garantía el desgaste de los artículos tales como juntas tóricas, filtros, etc., o los daños derivados de accidentes, uso indebido, modificaciones, alteraciones, servicio inadecuado, congelación o deterioro químico. Los accesorios tales como empezar baterías, juego de cables del adaptador del generador y cubiertas para almacenamiento quedan excluidos de la garantía del producto. También se excluyen los equipos usados o reacondicionados y los destinados a demostraciones; los equipos utilizados como fuente principal de energía en lugar de un servicio público y los equipos sanitarios destinados al mantenimiento de las constantes vitales. Esta garantía excluye los fallos debidos a hechos fortuitos y a otros acontecimientos de fuerza mayor que escapan al control del fabricante. 198189S, Rev. B, 12/31/2006

BRIGGS & STRATTON POWER PRODUCTS GROUP, LLC  
JEFFERSON, WI, EE.UU





## Generador Portátil

### Especificaciones del producto

Vataje que Empieza	.8,750 Vatios (8,75 kW)
Vataje	.6,200 Vatios (6,2 kW)
Corriente Carga de C.A.	
a 120 Voltios	.51.6 Amperios
a 240 Voltios	.25.8 Amperios
Frecuencia Nominal	.60Hz a 3600 rpm
Fase	.Monofásica
Capacidad de Gasolina	.26,5 L (7 galones americanos)
Peso que Embarca	.86,2 kg (190 lbs.)
Desplazamiento	.342 cc (20,85 pulgadas)
Bujía Separación	.0,030 pulgadas (0,76mm)
Capacidad de Aceite	.0,83 litros (28 onzas)

### Servicio común despide

Depurador de aire	.491588S o 5043D
Bujía de reóstato	.491055S
Bujía larga de vida de platino	.5066D
Botella de aceite de motor	.100005
Estabilizador de combustible	.5041D
Apagachispas	.83083GS

**Potencia nominal:** El valor de potencia bruta de cada modelo de motor de gasolina se indica en la etiqueta conforme a los requisitos del código J1940 (Procedimiento de valoración de potencia y par de pequeños motores) de la SAE (Society of Automotive Engineers, Sociedad de ingenieros de automoción). Los valores nominales se han obtenido y corregido conforme al código SAE J1995 (Revisión 2002-05). Los valores de par se obtienen a 3060 rpm, y los valores de potencia, a 3600 rpm. La potencia bruta real del motor será inferior y dependerá, entre otros factores, de las condiciones ambientales de uso y de las variaciones entre distintos motores del mismo modelo. Dada la amplia variedad de productos que utilizan nuestros motores y la multitud de factores ambientales que pueden afectar a su funcionamiento, es posible que el motor de gasolina no desarrolle toda su potencia bruta nominal en determinados equipos (potencia “en la aplicación” o neta real). Esta diferencia se debe, entre otros, a los siguientes factores: accesorios (filtro de aire, escape, carga, refrigeración, carburador, bomba de combustible, etc.), limitaciones de la aplicación, condiciones ambientales de uso (temperatura, humedad, altitud) y variaciones entre distintos motores de un mismo modelo. Briggs & Stratton podrá sustituir el motor de esta serie por otro de mayor potencia nominal en caso de limitaciones de fabricación o capacidad.

## Free Manuals Download Website

<http://myh66.com>

<http://usermanuals.us>

<http://www.somanuals.com>

<http://www.4manuals.cc>

<http://www.manual-lib.com>

<http://www.404manual.com>

<http://www.luxmanual.com>

<http://aubethermostatmanual.com>

Golf course search by state

<http://golfingnear.com>

Email search by domain

<http://emailbydomain.com>

Auto manuals search

<http://auto.somanuals.com>

TV manuals search

<http://tv.somanuals.com>