



## PORTABLE GENERATOR

## Illustrated Parts List

# EXL8000

## 13500 STARTING WATTS

Questions? Help is just a moment away!

Preguntas? La ayuda es justa un momento lejos!

Call: **Generator Helpline**

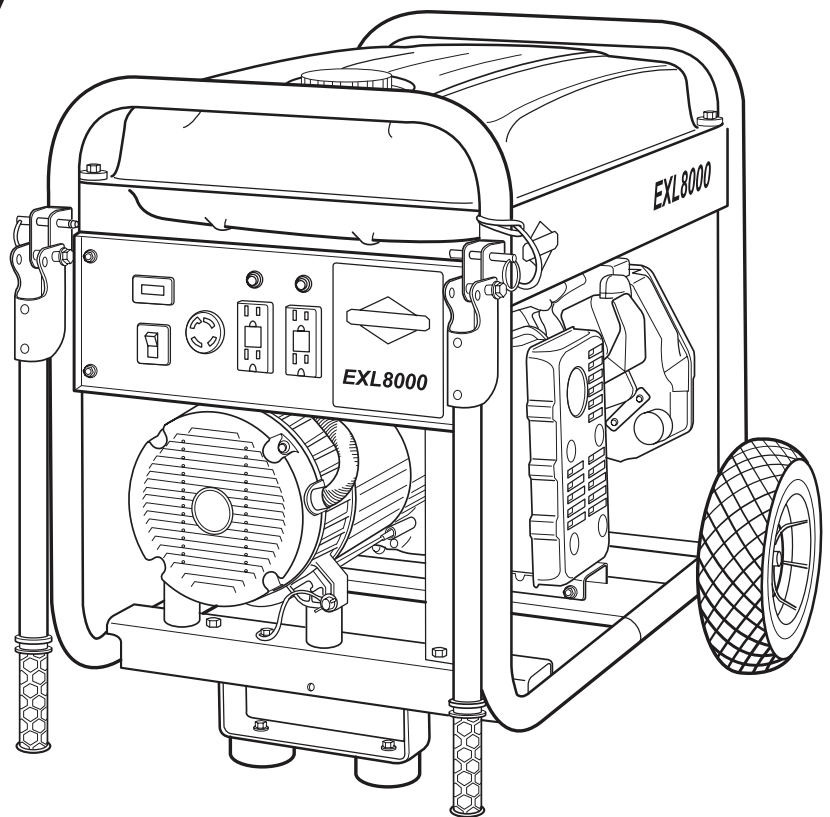
Llame: **Línea Directa del Generador**

**1-800-743-4115** M-F 8-5 CT

web: [www.briggsandstratton.com](http://www.briggsandstratton.com)

Models / Modelos

## 030244-02

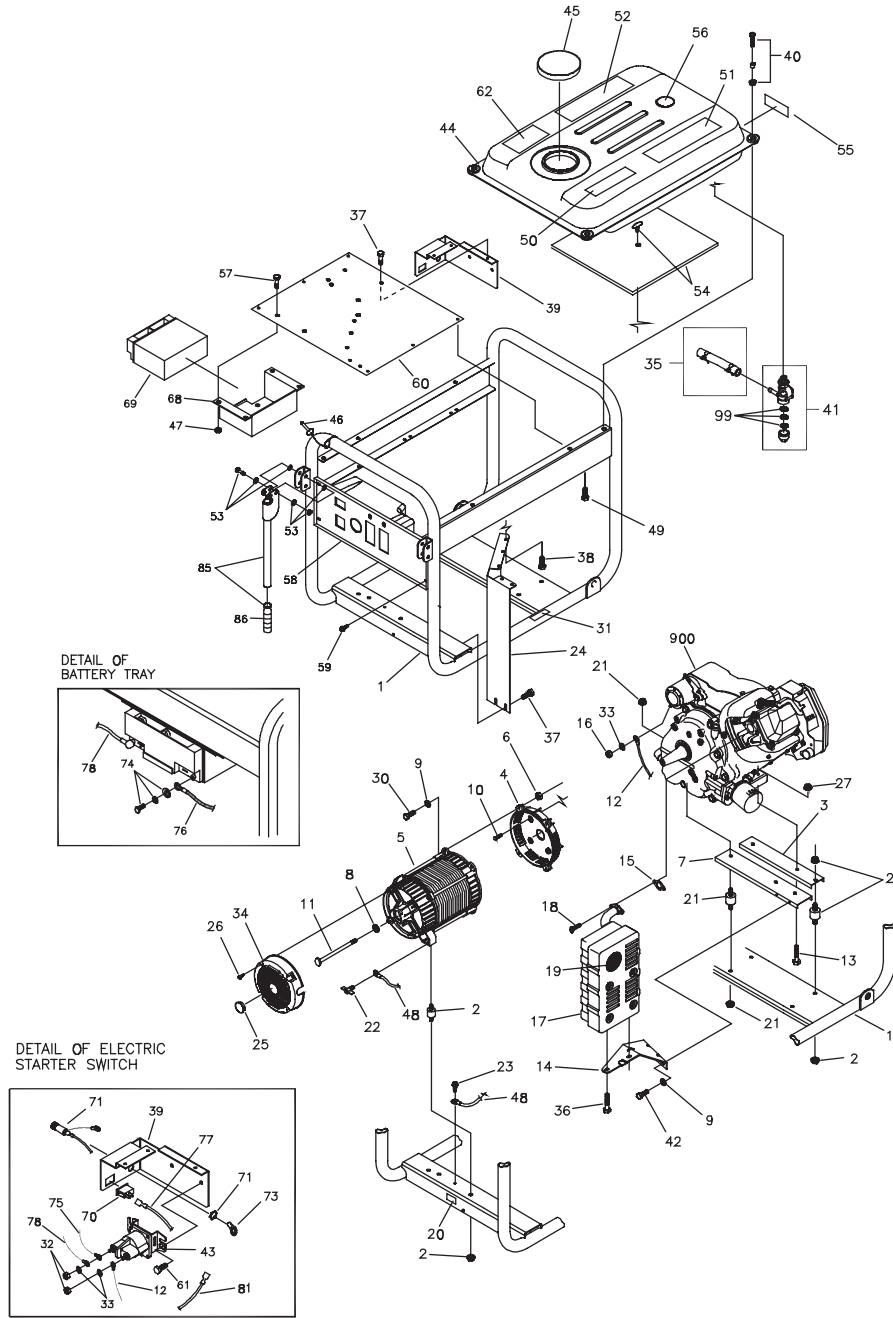


**BRIGGS & STRATTON POWER PRODUCTS GROUP, LLC**  
**JEFFERSON, WISCONSIN, U.S.A.**

Manual No. 199825A  
Revision - (06/20/2007)



# EXPLODED VIEW - MAIN UNIT



Copyright © 2007 Briggs & Stratton Power Products Group, LLC. All rights reserved. No part of this material may be reproduced or transmitted in any form by any means without the express written permission of Briggs & Stratton Power Products Group, LLC.



**EXPLODED VIEW - PARTS LIST**

<b>Item</b>	<b>Part #</b>	<b>Description</b>	<b>Item</b>	<b>Part #</b>	<b>Description</b>
1	B194898GS	KIT, Cradle (Includes Items 20 & 31)	48	195373GS	WIRE, Ground
2	194155GS	KIT, Vibration Mount	49	192376GS	SCREW, 12-24 x 1/2, Thread Forming
3	B92531GS	BRACKET, Support Engine	50	188333GS	DECAL, Instruction Fuel Level
4	190220GS	ADAPTER, Engine	51	194799GS	DECAL, Danger
5	NSP	ASSY., Alternator (see page 5)	52	189235GS	DECAL, Start Instructions
6	*	NUT, Hex M8 - 1.25	53	194034GS	KIT, Folddown Handle Hardware
7	B92731GS	BRACKET, Support Eng/Muffler	54	194448GS	KIT, Insulation w/ Clip
8	96796GS	WASHER, 8.4 x 22.2 x 3	55	197797GS	DECAL, Fuel Shutoff
9	*	WASHER, Lock M8	56	192724GS	GAUGE, Fuel
10	190274BGS	SBHC, 3/8-16 x 1"	57	*	HHCS, M6 - 1.0 x 12
11	47481GS	HHCS, 5/16 - 24 x 10.62	58	201463GS	ASSY. Control Panel
12	189302LGS	ASM WIRE, #16, Red	59	198611GS	PPHS, 1/4 - 20 x 0.5
13	*	HHCS, M8 1.25 x 45	60	195537GS	HEATSHEILD
14	92532GS	BRACKET, Muffler	61	B4300GS	HHS, 1/4 - 20 x 1/2, Trilobular
15	90239GS	GASKET, Exhaust	62	201079GS	DECAL, Warning CO
16	*	NUT, Hex M6 1.0	68	195680GS	TRAY, Battery
17	A7433GS	MUFFLER	69	193463GS	BATTERY
18	*	SHCS, M8 - 1.25 x 20	70	87799GS	SWITCH, Rocker On/Off
19	83083GS	SCREEN, Spark Arrest	71	196626GS	ASSY, Jack, Coax, DC
20	B4986GS	DECAL, Ground	73	192351GS	LUG, 1/4, #22/18
21	198222GS	KIT, Vibration Mount	74	193347GS	KIT, Hardware Battery
22	86494GS	SCREW, Wing M6 - 1.0 x 16	75	196627AGS	WIRE-A, #13, Red
23	86292GS	SCREW, 10 - 16 x 3/4, Self Drill	76	185939KGS	ASM WIRE, #55 Black
24	194390GS	ASSY., Heat Shield	77	196627BGS	WIRE-A, #13B, Red
25	191190GS	CAP	78	189302MGS	ASM WIRE, #13 Red
26	74908GS	TAPTITE, M5 - 0.8 x 10	81	196627EGS	WIRE-A, #0, Black
27	67989GS	NUT, M8 Flange Serrated	85	B193200GS	ASSY, Fold Down Handle
30	*	HHCS, M8 - 1.25 x 25	86	198669GS	GRIP, Handle
31	196830GS	DECAL, Exhaust Warning	99	189759GS	KIT, Fuel Valve Repair
32	*	NUT, 1/4 - 20	900	§	ENGINE
33	*	WASHER, 1/4 Lock			
34	195422GS	COVER, RBC Plastic with Cap			
35	791745	KIT, Fuel Hose (cut to fit)			
36	*	HHCS, M6 1.0 x 12			
37	56893GS	CRIMPTITE, 10-24 x 1/2			
38	B2153GS	SCREW, Self Driller, 12-14 x 7/8			
39	B196810GS	BRACKET, Starter			
40	198221GS	KIT, Fuel Tank Hardware (Includes Qty 4)			
41	189133GS	VALVE, Fuel			
42	*	HHCS, 5/16 - 18 x 3/4			
43	691656	SOLENOID			
44	198224GS	ASSY., Tank Fuel (Includes Items 41, 50, 51, 52, 55 & 62)			
45	189135GS	CAP, Tank Fuel			
46	B4135GS	PIN, Handle Release			
47	77395GS	NUT, M6 Flange Lock			

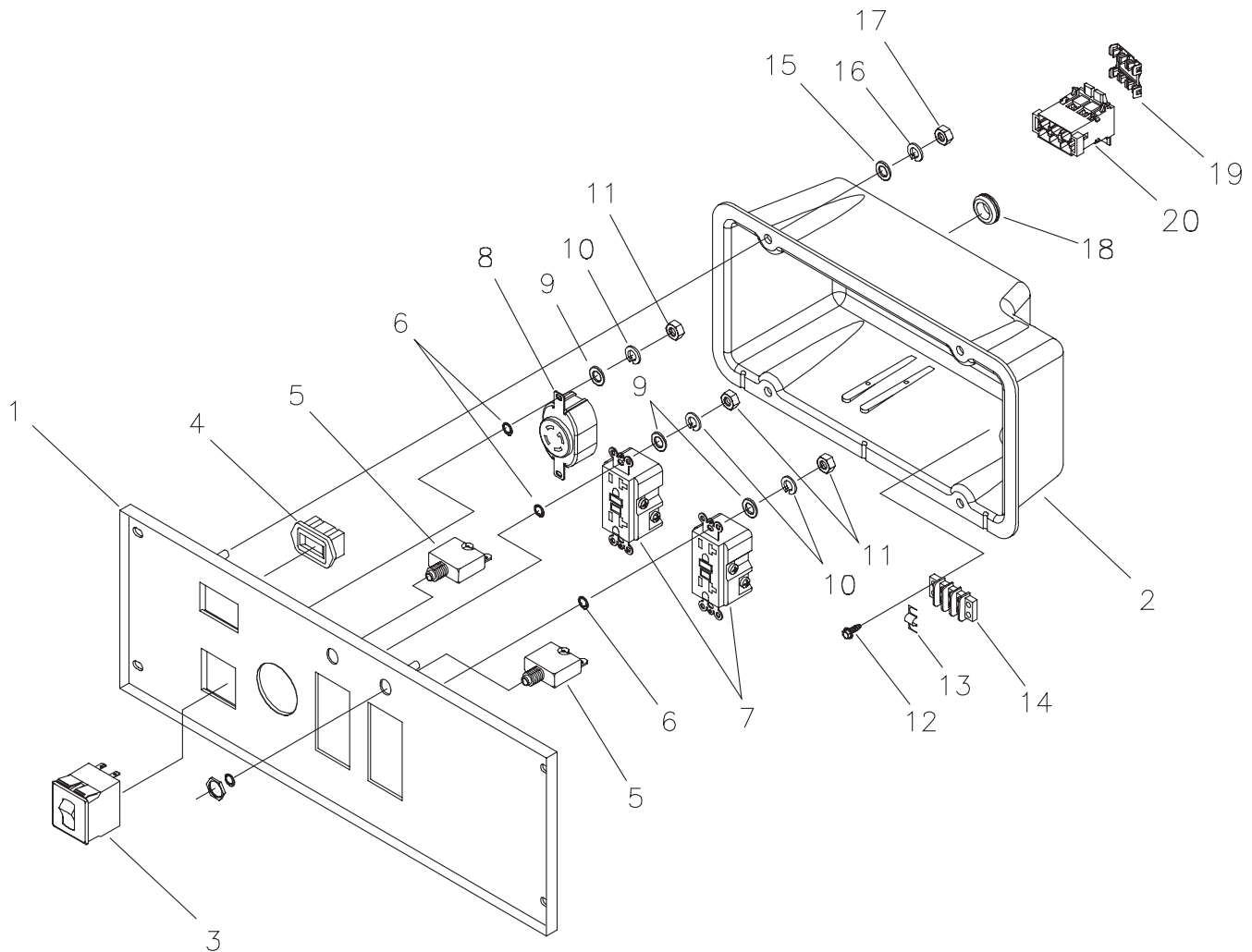
**Parts Not Illustrated**

199825GS	MANUAL, Operator's
BB3061GS	BOTTLE, Oil
B4177GS	CHARGER, Battery
195236GS	FUSE (5 Pack)
195237GS	CAP, Fuse (4 Pack)
191895DGS	SET, Cord
202179GS	DECAL, Family, CA EVP
198220GS	KIT, Decal Srv.

\* - Items without part numbers are common fasteners and are available at your local hardware store.

§ - Contact Engine Manufacturer

**EXPLODED VIEW AND PARTS LIST - CONTROL PANEL**



Item	Part #	Description
1	198237GS	PANEL, Control
2	198239GS	BOX, Control Panel
3	191479GGS	BREAKER, Circuit, 30A
4	198245GS	METER, Hour
5	75207DGS	BREAKER, Circuit, 15A
6	*	WASHER, Shakeproof, Int. #8
7	94373GS	OUTLET, 120V, 15A Duplex
8	43437GS	OUTLET, 120/240V, 30A
9	*	WASHER, Flat, M4
10	*	WASHER, Lock, M4
11	*	NUT, M4 - 0.7
12	198495GS	SCREW, 4 x 18, Tapping
13	193095GS	JUMPER, Terminal Block

Item	Part #	Description
14	193427GS	STRIP, Terminal, 3 Pole
15	*	WASHER, Flat, M5
16	*	WASHER, Lock, M5
17	*	NUT, M5 - 0.8
18	38057GS	GROMMET
19	199532GS	STRIP, Dual Row, TPA, 6 Circuit
20	199528GS	PLUG, Dual Row, Housing, 6 Circuit

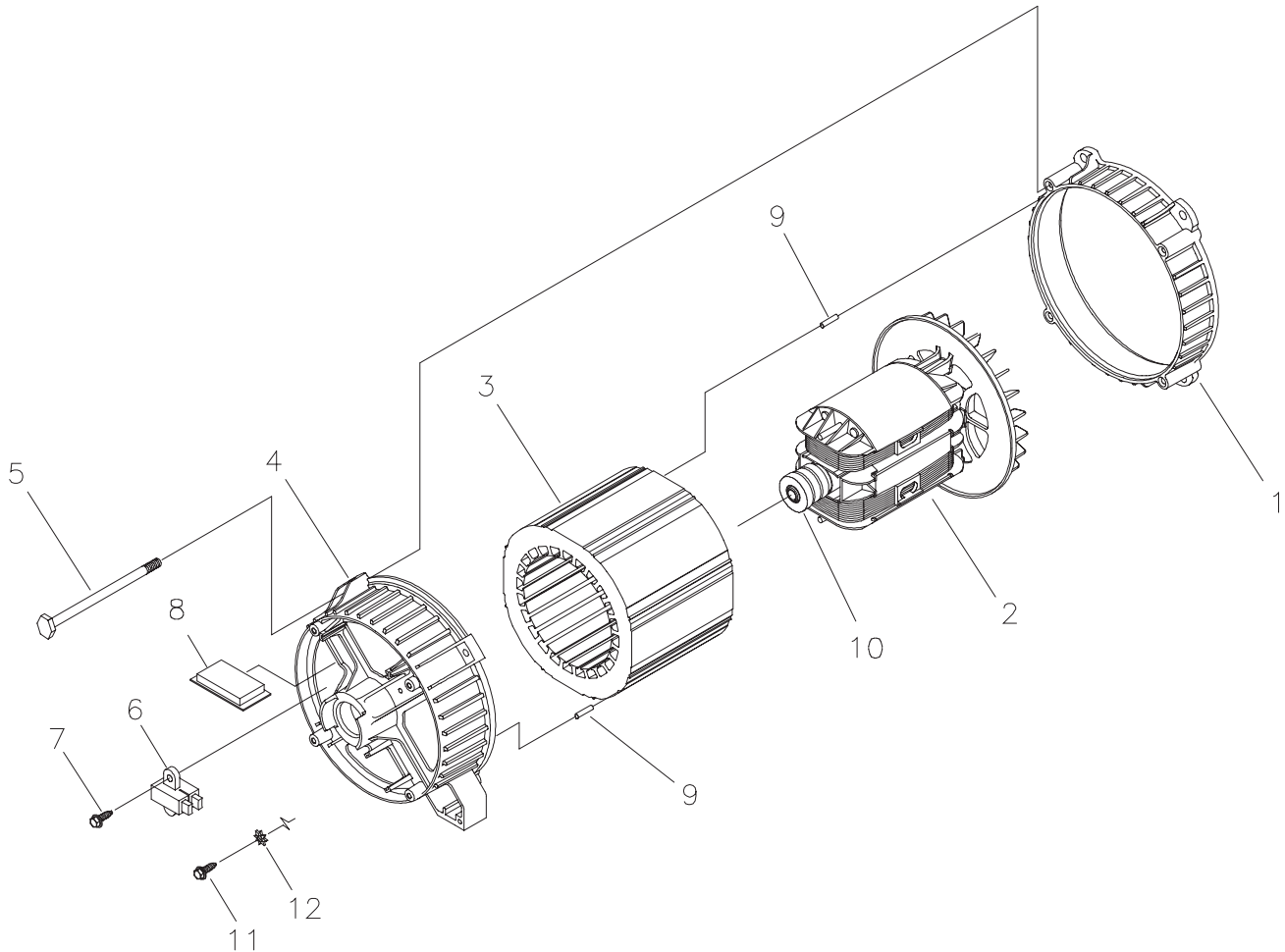
**Parts Not Illustrated**

194273GS TUBING, Fabric, Heat Shrinkable

\* - Items without part numbers are common fasteners and are available at your local hardware store.

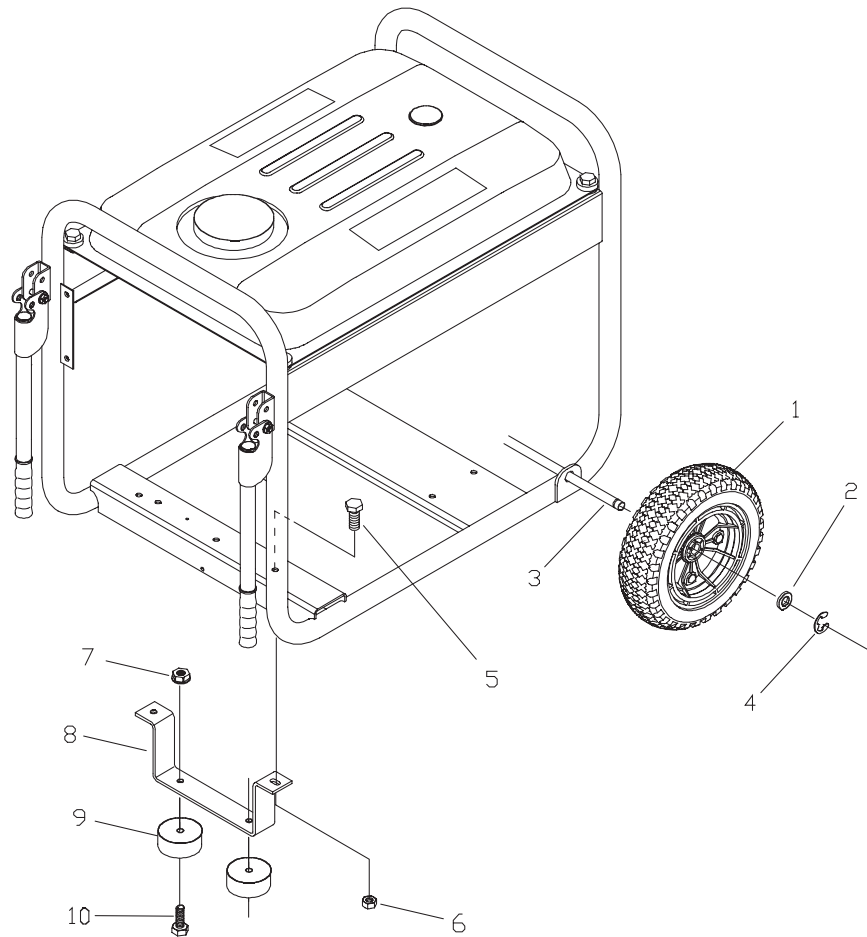


## EXPLODED VIEW AND PARTS LIST - ALTERNATOR



Item	Part #	Description
1	186059GS	ADAPTER, Mounting, Alternator
2	194773GS	ASSY, Rotor (Includes Item 10)
3	200434AGS	STATOR
4	193336GS	RBC, (with O-Ring p/n 189197)
5	86308KGS	HHCS, M6 - 1.0 x 175 SEMS
6	66386GS	ASSY, Holder, Brush
7	66849GS	TAPTITE, M5 - 0.8 x 16
8	189769GS	BOARD, Circuit, System Control
9	81917GS	PIN, Roll, 4mm x 10
10	65791GS	BEARING
11	74908GS	SCREW, M5 .8 x 10, Taptite
12	23762GS	WASHER, Shakeproof, Ext #10

## EXPLODED VIEW AND PARTS LIST - WHEEL KIT



Item	Part #	Description
1	196517GS	WHEEL
2	*	WASHER, 5/8"
3	191267RGS	AXLE, 5/8"
4	191265GS	E-RING
5	*	HHCS, M8 1.25 x 20
6	67989GS	NUT, M8, Flange Serrated
7	77395GS	NUT, M6 Flange Lock
8	198629GS	ASSY, Support (Includes Item 9)
9	87841GS	MOUNT, Vibration
10	*	HHCS, M6 - 1.0 x 16

\* - Items without part numbers are common fasteners and are available at your local hardware store.

## Free Manuals Download Website

<http://myh66.com>

<http://usermanuals.us>

<http://www.somanuals.com>

<http://www.4manuals.cc>

<http://www.manual-lib.com>

<http://www.404manual.com>

<http://www.luxmanual.com>

<http://aubethermostatmanual.com>

Golf course search by state

<http://golfingnear.com>

Email search by domain

<http://emailbydomain.com>

Auto manuals search

<http://auto.somanuals.com>

TV manuals search

<http://tv.somanuals.com>