



**Illustrated Parts List**  
**Les Parties Illustrées Enumèrent**  
**Las Partes Ilustradas Listan**

**Model / Modelo / Modèle**  
**040229-1**

Questions? Help is just a moment away!  
Preguntas? La ayuda es justa un momento lejos!  
Vous avez des questions? Vous n'avez pas  
besoin d'aller loin pour trouver de l'aide!

Call: **Home Standby Helpline**

Llamada: **Línea Directa de Reserva de Hogar**  
Appelez: **Ligne Directe de Secours À la Maison**

**1-800-743-4115 M-F 8-5 CT**

**BRIGGSandSTRATTON.COM**

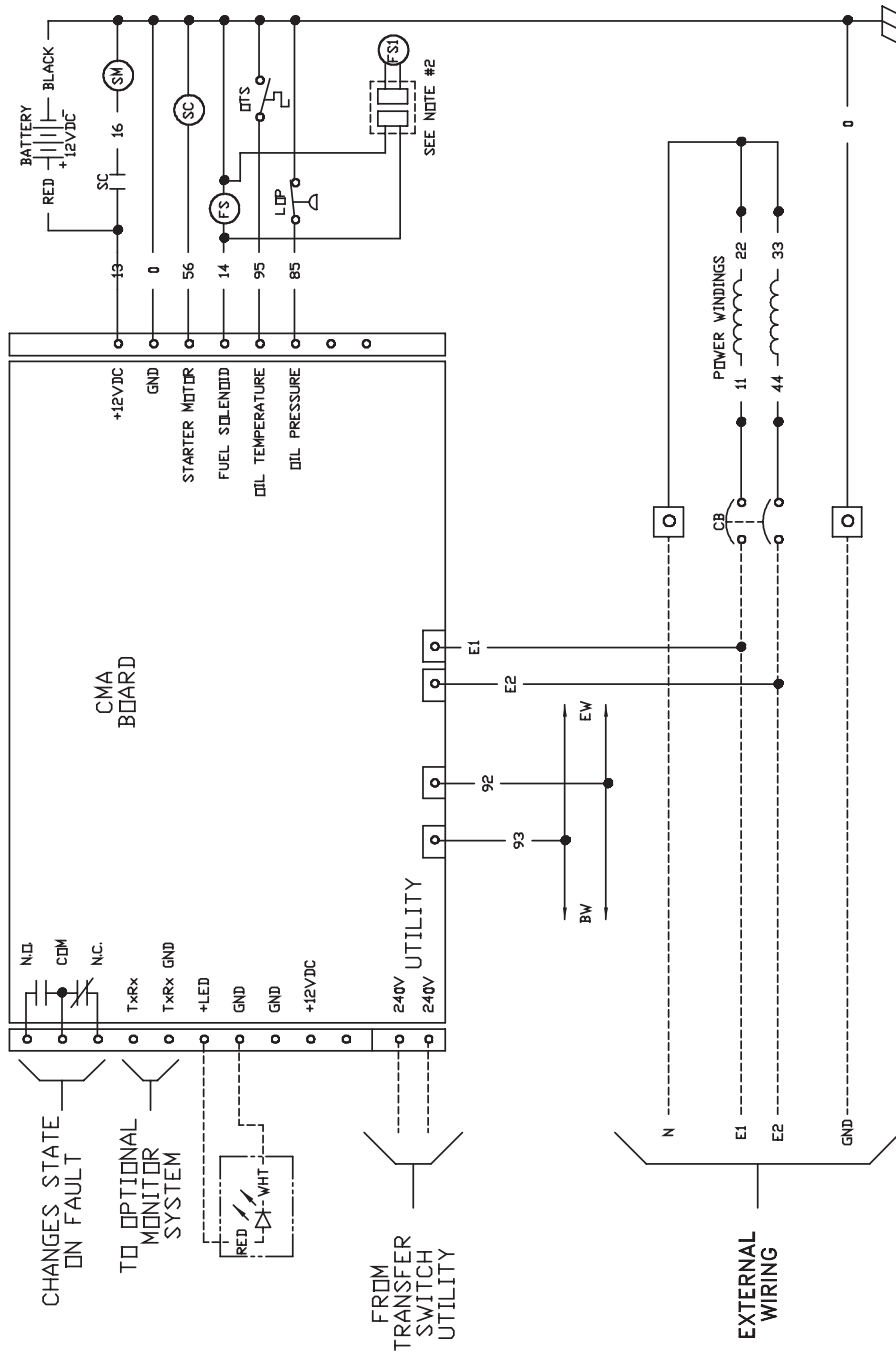


**12000** Rated Watts  
**Home Generator System**



Manual No. 203060GS Rev. A (10/16/07)

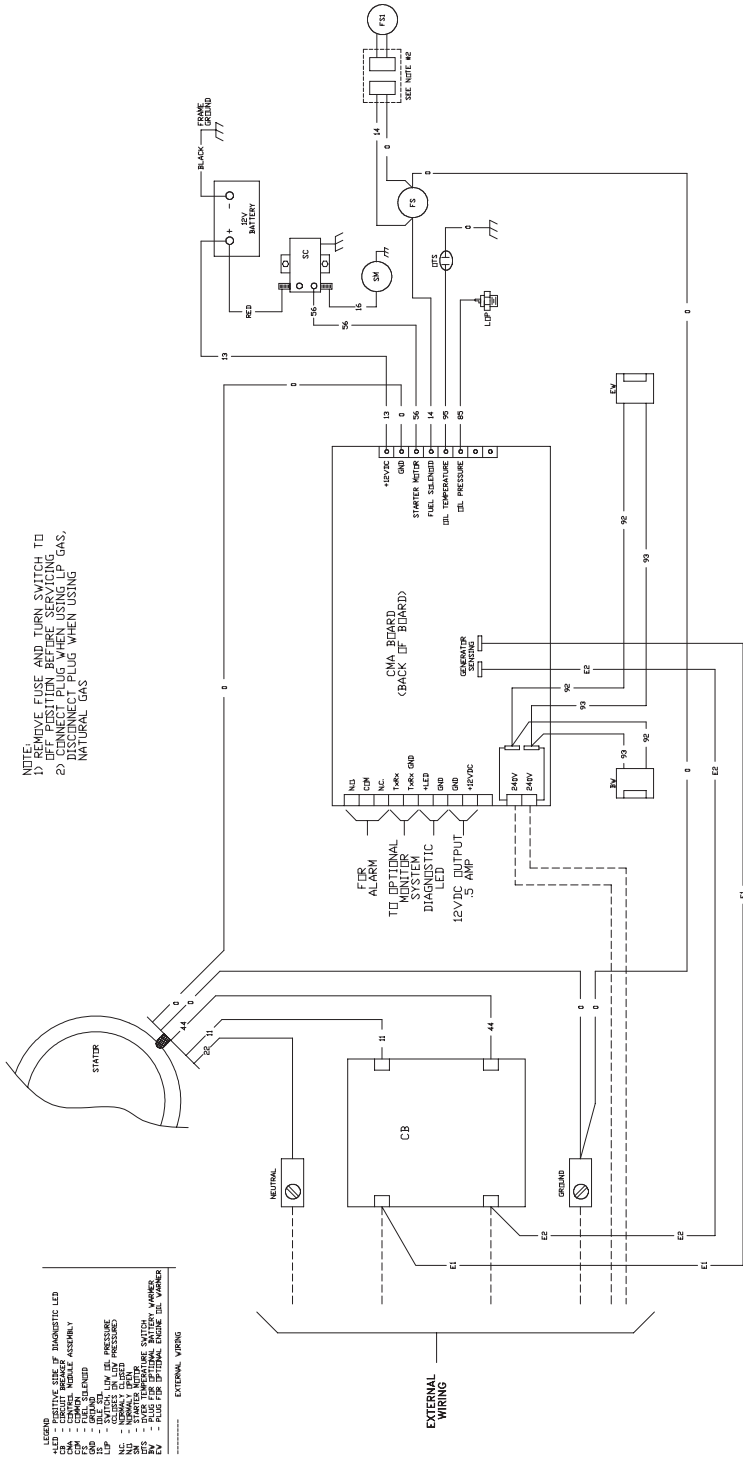
# UNIT SCHEMATIC DIAGRAM



Copyright © 2007 Briggs & Stratton Power Products Group, LLC. All rights reserved. No part of this material may be reproduced or transmitted in any form by any means without the express written permission of Briggs & Stratton Power Products Group, LLC.

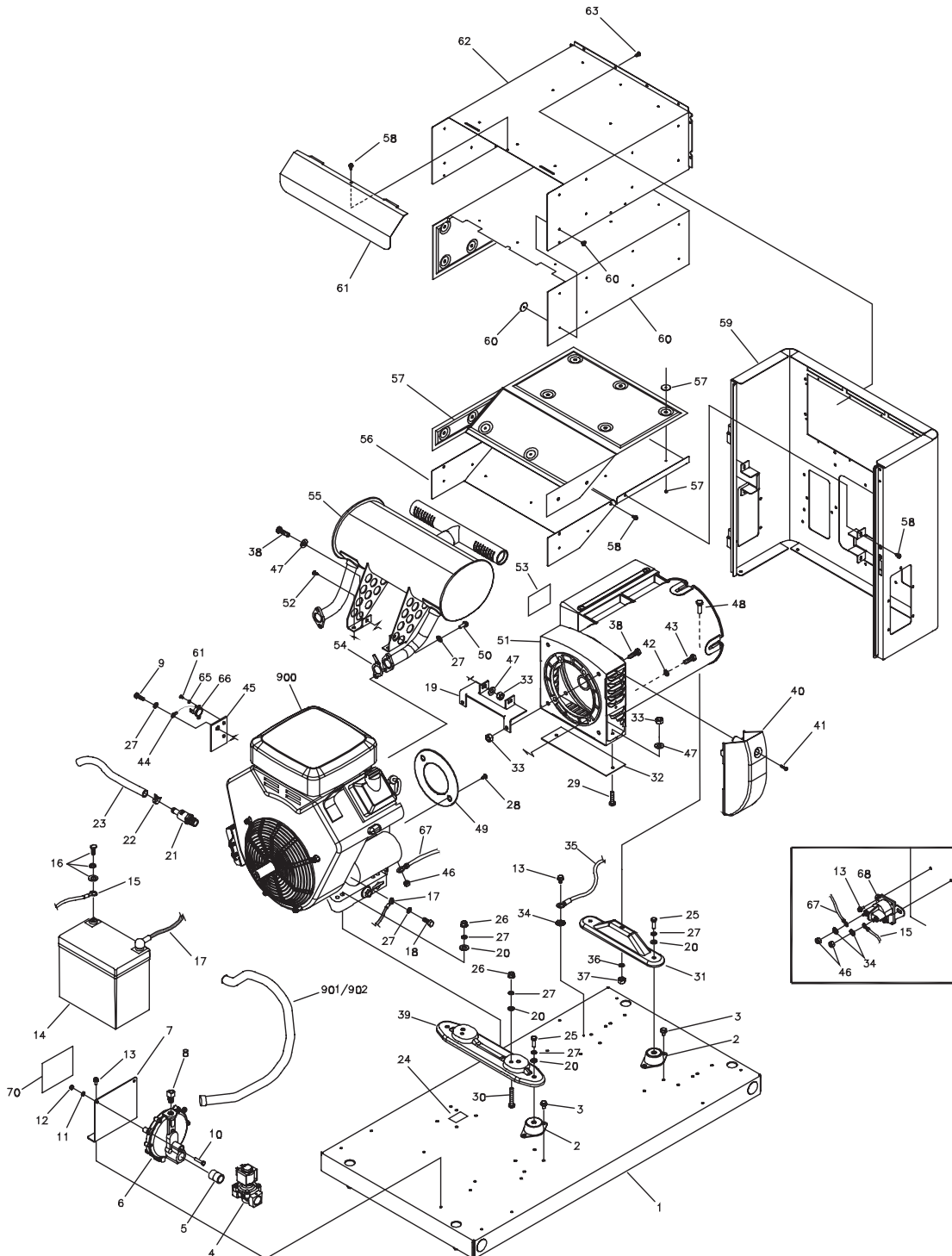
# WIRING DIAGRAM

## UNIT WIRING DIAGRAM



# EXPLODED VIEW

## UNIT EXPLODED VIEW



## PARTS LIST

### UNIT PARTS LIST

Item	Part #	Description	Item	Part #	Description
1	U203030GS	BASE, Mounting	49	B4260GS	DISK, Engine Air
2	198899GS	MOUNT, Vibration	50	692062	SCREW
3	24910GS	HHS, Trilobular 5/16 - 18 x 1/2	51	NSP	ASSY, Alt (see pages 8 & 9)
4	194683GS	SOLENOID, Gas Fuel	52	40976GS	SHCS, M8 - 1.25 x 20
5	194829GS	FITTING, Coupling	53	193506GS	DECAL, Caution Hot Surface
6	194830GS	REGULATOR	54	806425	GASKET
7	195936GS	BRACKET, Mounting Solenoid	55	198758GS	MUFFLER
8	202382GS	FITTING, 1/2 Flare 3/8 - 18 NPT	56	194681GS	BASE, Muffler Box
9	*	HHCS, M8 - 1.25 x 12	57	198928GS	KIT, Insulation, Muffler Base
10	*	HHCS, M6 - 1.0 x 30	58	56893GS	CRIMPTITE, 10 - 24 x 1/2
11	*	WASHER, 1/4 Lock	59	201282GS	ASSY, Bulkhead, Alt End w/ Insulation
12	*	NUT, M6 - 1.0	60	198929GS	KIT, Insulation, Muffler Box
13	B4300GS	HHS, Trilobular, 1/4 - 20 x 1/2	61	194682GS	COLLECTOR, Muffler Box
14	194818GS	BATTERY	62	194680GS	BOX, Muffler Top
15	198593BGS	WIRE-A, Red	63	192445GS	SCREW. 10 - 32 x 5/8
16	198913GS	KIT, Battery Hardware	64	*	PPHMS, 4-40 x 0.19
17	185939VGS	WIRE-A, Black	65	*	WASHER, Lock #4
18	*	HHCS, M8 1.25 x 16	66	186205GS	SWITCH, Oil Temp
19	201824GS	BRACKET, Muffler Mounting Base	67	198593CGS	WIRE-A
20	*	WASHER, Flat 5/16 - M8	68	691656	SOLENOID/BRACKET
21	186071GS	VALVE, Oil Drain	70	202896GS	DECAL, Requirements, Fuel
22	48031JGS	CLAMP, Hose Band	900	§	ENGINE
23	186430GS	HOSE, Oil Drain	901	843644	FUEL HOSE
24	186649GS	DECAL, Oil Drain	902	843438	CLAMP
25	*	HHCS, 5/16 - 18 x 1			
26	*	NUT, 5/16 - 18			
27	*	WASHER, Lock 5/16 - M8			
28	*	HHCS, 5/16 - 24 x 3/4 SEMS			
29	*	HHCS, 1/4 - 20 x 1			
30	*	HHCS, 5/16 -18 x 1 - 3/4			
31	B198897GS	BRACKET, Alt Support			
32	200013GS	PLATE, Blocking Air, Alt			
33	194005GS	NUT, 1/4 - 20 Flange, Nylok			
34	*	WASHER, Shakeproof Ext. M6-1/4			
35	186790HGS	WIRE, Ground			
36	*	WASHER, Lock, M10			
37	*	NUT, Hex, M10 - 1.5			
38	*	HHCS, 1/4 - 20 x 3/4			
39	B198896GS	BRACKET, Engine Mounting			
40	201817GS	DUCT, Air			
41	199999GS	PTHS, #6 x 1/2"			
42	*	WASHER, Lock 3/8			
43	*	HHCS, 3/8 - 16 x 1-1/4			
44	186790CGS	WIRE			
45	186206GS	PLATE, Switch Oil Temp			
46	*	NUT, Hex 1/4 - 20			
47	*	WASHER, M6, Flat 1/4			
48	*	HHCS, M10 - 1.5			

<b>Parts Not Illustrated</b>	
199327GS	MANUAL, Install
194689GS	MANUAL, Operator's
MS3792	MANUAL, Engine
203056GS	KIT, Manual/Accessory HGS
198810GS	PAINT, Touchup, Grey 1/2 oz Bottle
198811GS	PAINT, Touchup, Silver 1/2 oz Bottle
B3518GS	CAP, Funnel Oil Bottle
202295GS	HOSE, Flex
198866GS	KIT, Led Remote
203060GS	MANUAL, IPL
199356GS	KIT, Decals, Service

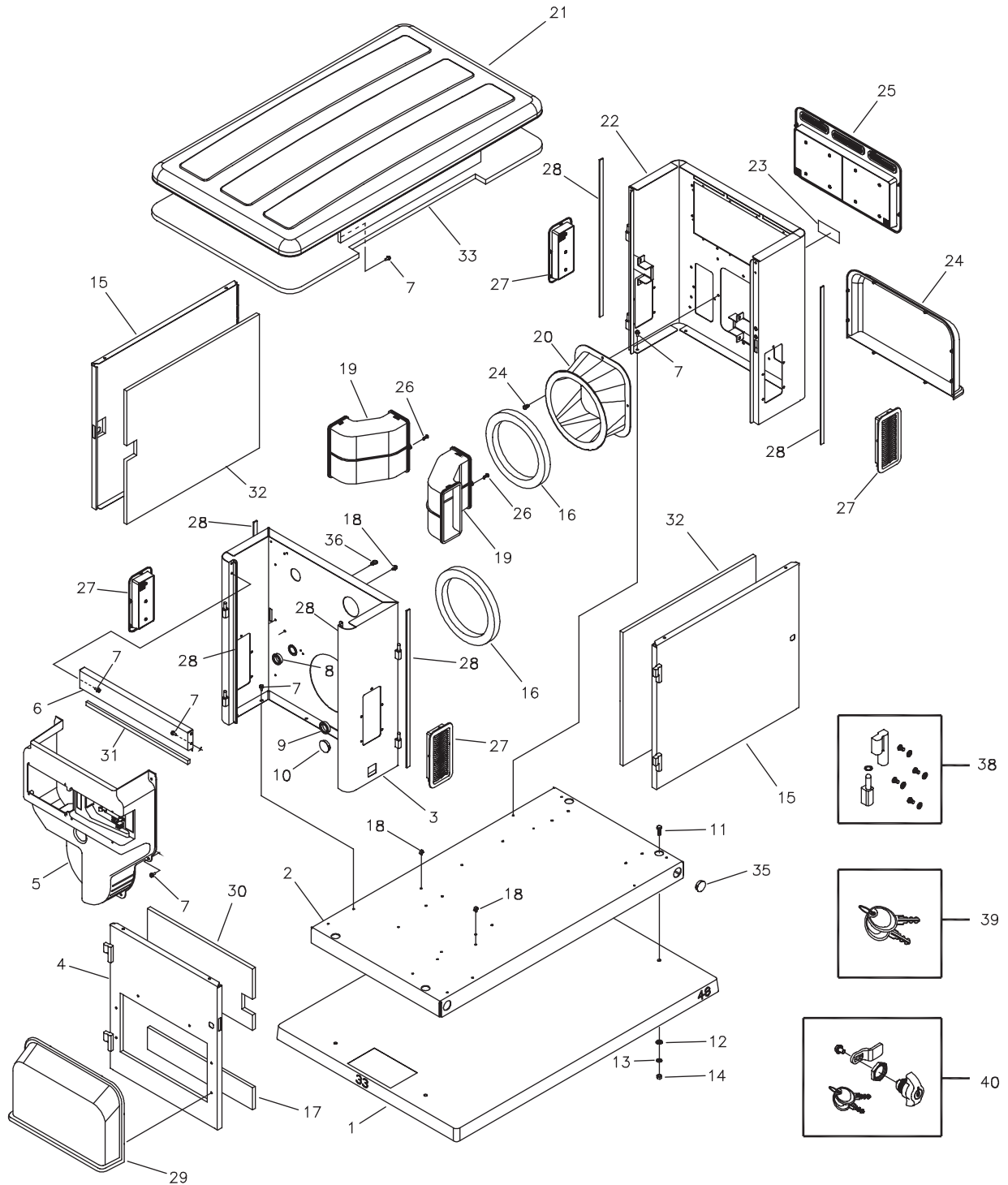
<b>Optional Accessories</b>	
199474GS	PAINT, Touchup, Spray, Gray, 12oz
199475GS	PAINT, Touchup, Spray, Silver, 12oz
6030	KIT, Cold Weather (Includes Battery and Oil Warmers)

\* - Items without part numbers are common fasteners and are available at your local hardware store.  
 § - Contact Engine Manufacturer

# EXPLODED VIEW

## ENCLOSURE EXPLODED VIEW



## PARTS LIST

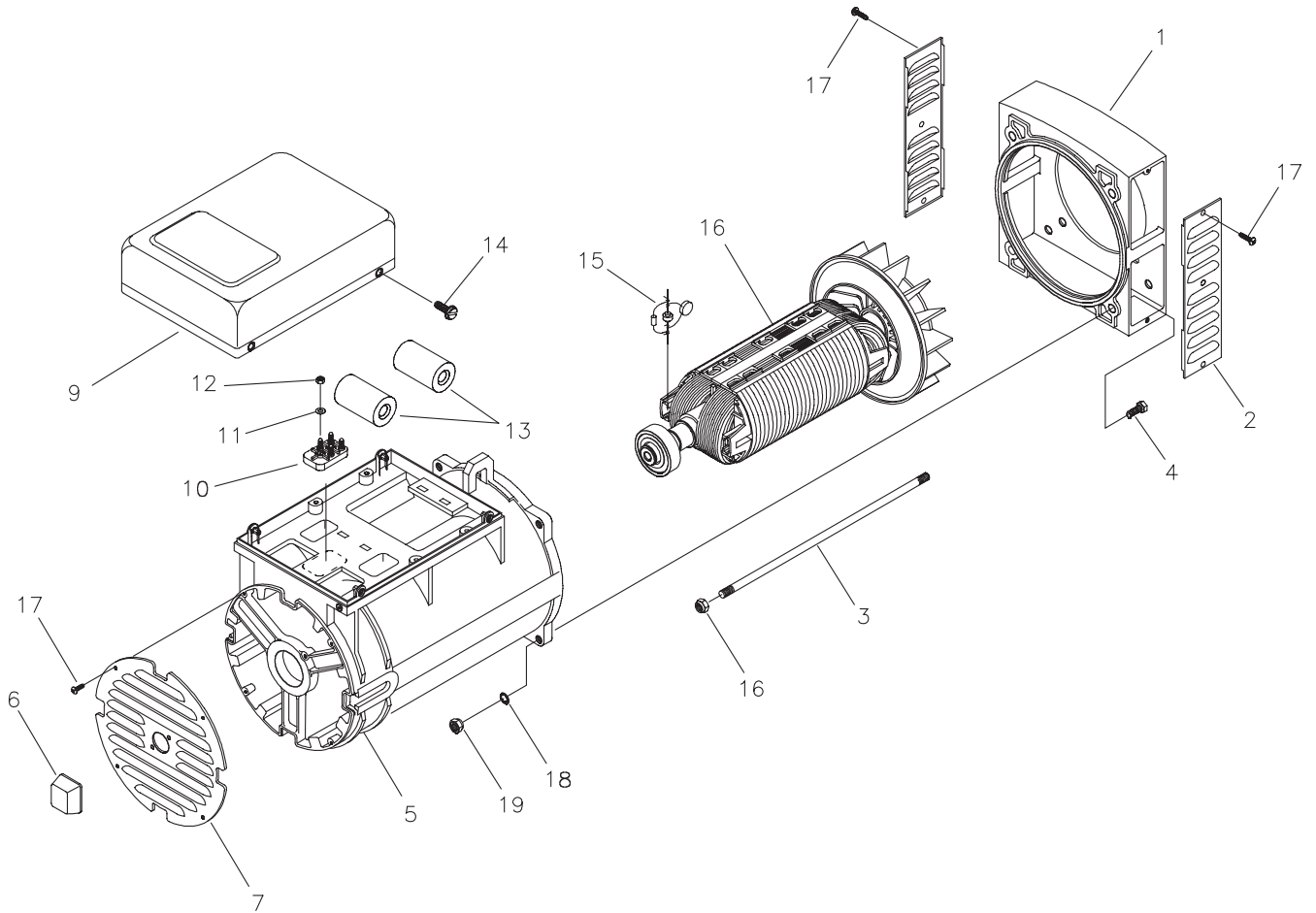
### ENCLOSURE PARTS LIST

Item	Part #	Description	Item	Part #	Description
1	197275GS	PAD, Mounting w/ Holes	16	199629GS	SEAL, Foam, Engine Air
2	U203030GS	BASE, Mounting	17	203303GS	INSULATION, Engine Door, Bottom
3	198991GS	ASSY, Bulkhead, Eng End	18	195733GS	MOUNT, Tie Wrap
		. . . . . Bulkhead, Eng End	19	195935GS	DUCT, Rubber Alt.
		. . . . . Decal, Fuel Inlet	20	203029GS	ADAPTER, Alt.
		. . . . . Seal, Foam	21	198893GS	ASSY, Roof/Siderails
		. . . . . Seal, Foam Engine Air			. . . . . Weldment Roof/Siderails
		. . . . . Bushing, 1-1/2			. . . . . Insulation
		. . . . . Bushing, 1-3/8	22	201282GS	ASSY, Bulkhead, Alt End
		. . . . . Plug, Dome 1-1/2			. . . . . Decal, Caution Hot Muffler
		. . . . . Pin, Hinges with Hardware			. . . . . Seal, Foam
4	198986GS	ASSY, Door, Eng. End			. . . . . Pin, Hinges with Hardware
		. . . . . Weldment, Door Eng End			. . . . . Bracket, Muffler
		. . . . . Insulation, Top	23	77816AGS	DECAL, Caution Hot Muffler
		. . . . . Insulation, Bottom	24	194679GS	COVER, Air Intake Alt
		. . . . . Barrel, Hinges with Hardware	25	198926GS	ASSY, Vent, Exhaust
5	198910GS	ASSY, Duct, Engine Air	26	B1797GS	CLIP, Tree
		. . . . . Decals	27	198927GS	ASSY., Vent, Alt.
		. . . . . Lug, Ground Connect w/Hardware	28	198888GS	SEAL, Foam
		. . . . . Bracket, Mounting Breaker	29	194694GS	COVER, Air Intake Engine
			30	203302GS	INSULATION, Engine Door, Top
			31	197312GS	SEAL, Foam
6	198993GS	ASSY, Support, Rail	32	196397GS	INSULATION, Front/Rear Door
		. . . . . Support Rail Eng. End	33	195597GS	INSULATION, Roof
		. . . . . Seal, Foam	35	198460GS	PLUG, Dome
		. . . . . Decal, Rainproof	36	192940GS	RETAINER, Hose
7	B4300GS	HHS, Trilobular, 1/4-20 x 1/2	38	198890GS	KIT, Door, Hinge
8	186173GS	BUSHING, Snap, 1-3/8"	39	194828GS	SET, Latch Key
9	197493GS	BUSHING, Snap, 1-1/2"	40	198889GS	KIT, Door Latch
10	198461GS	PLUG, Dome, 1-1/2"			
11	*	HHCS, 3/8 - 16 x 1			
12	*	WASHER, Flat, 3/8 - M10			
13	*	WASHER, Lock 3/8			
14	*	NUT, 3/8 - 16			
15	198987GS	ASSY, Door			
		. . . . . Weldment Door			
		. . . . . Insulation			
		. . . . . Barrel Hinges with Hardware			
		. . . . . Decals			

\* - Items without part numbers are common fasteners and are available at your local hardware store.

# EXPLODED VIEW

## ALTERNATOR EXPLODED VIEW





## ALTERNATOR PARTS LIST

Item	Part #	Description
1	192970GS	BRACKET, Drive End
2	192973GS	SCREEN, Protection
3	B4908GS	BOLT, Shaft Stay
4	*	SCREW, Socket Head Cap
5	192969GS	FRAME and Stator
6	192962GS	PLUG, Rubber Grid
7	192966GS	GRID
9	192967GS	BOX, Terminal Lid
10	192968GS	TERMINAL BOARD
11	*	WASHER, Flat, #10 - M5
12	*	NUT, 10 - 32
13	192974GS	CAPACITOR
14	*	PPHMC, 10 - 32 x 3/4
15	192972GS	DIODE
16	192971GS	ASSY., Rotor
17	*	SCREW, M8 x 1.25 x 35mm
18	*	WASHER, Shakeproof, Ext M6 - 1/4
19	*	NUT, 1/4 - 20

\* - Items without part numbers are common fasteners and are available at your local hardware store.



## CONTROL PANEL PARTS LIST

Item	Part #	Description
1	198911GS	ASSY, Cover, Circuit Breaker w/ Decals
2	*	SCREW, 10 x 0.62, Plastite
3	201089GS	BREAKER, Circuit 60A, 2P
4	192770GS	BRACKET, Mounting Breaker
5	199011GS	LUG, Ground Connect
6	191991GS	BOLT, 1/4-10 x 1, Plastite
7	198573GS	FUSE, Auto Type 15A
8	196655GS	ASSY, Control Panel
9	197492GS	SCREW, PT, M4 - 1.79 x 16.0
10	198910GS	ASSY, Duct, Engine Air w/ Decals
11	B5082AGS	DECAL, Danger High Voltage
12	198549GS	DECAL, Terminal Block
13	198550GS	DECAL, Ground, Neutral
14	186647GS	DECAL, Warning, Outdoor Install
15	193297GS	DECAL, Caution, Standby
16	186646GS	DECAL, Warning, Auto Start
17	186645GS	DECAL, Caution, Electric Shock
18	190992GS	DECAL, Warning Shock
19	*	NUT, 1/4 - 20
21	*	WASHER, Shakeproof, Ext M6 1/4
22	*	HHCS, 1/4 - 20 x 3/4

### Parts Not Illustrated

201090GS	HARNESS, Wire, CTL Board to Eng/Alt
198517GS	HARNESS, Wire, E1 & E2 Sensing
198515GS	CONNECTOR, Terminal, 2 Pin
198516GS	CONNECTOR, Terminal, 10 Pin

\* - Items without part numbers are common fasteners and are available at your local hardware store.

# **SPECIFICATIONS**

## **Generator**

---

- Rated Maximum Power (LP\*) . . . 12.0 kW
- Rated Maximum Load Current:
  - at 240 Volts . . . . . 50 Amps
  - at 120 Volts . . . . . 100 Amps
- Rated AC Voltage . . . . . 120/240 Volts
- Rated Frequency . . . . . 60 Hz at 3600 rpm
- Phase . . . . . Single Phase
- Power Factor . . . . . 1.0
- Normal Operating Range . . . . -20°F (-28.8°C) to 104°F (40°C)
- Output Sound Level . . . . . 65 dB(A) at 23 ft. (7 m) at normal load
- Shipping Weight . . . . . 484 lbs.

\* Natural gas rating will depend on specific fuel but typical derates are between 10 to 20% off the LP gas rating.

## **NOTES**



## Free Manuals Download Website

<http://myh66.com>

<http://usermanuals.us>

<http://www.somanuals.com>

<http://www.4manuals.cc>

<http://www.manual-lib.com>

<http://www.404manual.com>

<http://www.luxmanual.com>

<http://aubethermostatmanual.com>

Golf course search by state

<http://golfingnear.com>

Email search by domain

<http://emailbydomain.com>

Auto manuals search

<http://auto.somanuals.com>

TV manuals search

<http://tv.somanuals.com>