

INSTALLATION INSTRUCTIONS

BROAN® *Elite*



HB0037

MODEL E662

⚠ INTENDED FOR DOMESTIC COOKING ONLY ⚠

READ AND SAVE THESE INSTRUCTIONS

INSTALLER: LEAVE THIS MANUAL WITH HOMEOWNER.
HOMEOWNER: USE AND CARE INFORMATION ON PAGE 10.

Broan-NuTone LLC, 926 West State Street, Hartford, WI 53027 (1-800-637-1453)
NuTone Inc., 4820 Red Bank Road, Cincinnati, OH 45227 (1-800-543-8687)
Broan-NuTone Canada Inc., 1140 Tristar Drive, Mississauga, ON L5T 1H9 (1-888-882-7626)

REGISTER YOUR PRODUCT ON LINE AT: www.broan.com/register

V06800 rev. E

WARNING

TO REDUCE THE RISK OF FIRE, ELECTRIC SHOCK OR INJURY TO PERSONS, OBSERVE THE FOLLOWING:

1. Use this unit only in the manner intended by the manufacturer. If you have questions, contact the manufacturer at the address or telephone number listed in the warranty.
2. Before servicing or cleaning unit, switch power off at service panel and lock service disconnecting means to prevent power from being switched on accidentally. When the service disconnecting means cannot be locked, securely fasten a prominent warning device, such as a tag, to the service panel.
3. Installation work and electrical wiring must be done by qualified personnel in accordance with all applicable codes and standards, including fire-rated construction codes and standards.
4. Sufficient air is needed for proper combustion and exhausting of gases through the flue (chimney) of fuel burning equipment to prevent backdrafting. Follow the heating equipment manufacturer's guidelines and safety standards such as those published by the National Fire Protection Association (NFPA), and the American Society for Heating, Refrigeration and Air Conditioning Engineers (ASHRAE), and the local code authorities.
5. When cutting or drilling into wall or ceiling, do not damage electrical wiring and other hidden utilities.
6. Ducted fans must always be vented to the outdoors.
7. Do not use this unit with any solid-state speed control device.
8. To reduce the risk of fire, use only metal ductwork.
9. This unit must be grounded.

TO REDUCE THE RISK OF A RANGE TOP GREASE FIRE:

- a) Never leave surface units unattended at high settings. Boilovers cause smoking and greasy spillovers that may ignite. Heat oils slowly on low or medium settings.
- b) Always turn hood ON when cooking at high heat or when cooking flambeing foods
- c) Clean ventilating fans frequently. Grease should not be allowed to accumulate on fan or filter.
- d) Use proper pan size. Always use cookware appropriate for the size of the surface element.

WARNING

TO REDUCE THE RISK OF INJURY TO PERSONS IN THE EVENT OF A RANGE TOP GREASE FIRE, OBSERVE THE FOLLOWING*:

1. SMOTHER FLAMES with a close-fitting lid, cookie sheet or metal tray, then turn off the burner. BE CAREFUL TO PREVENT BURNS. IF THE FLAMES DO NOT GO OUT IMMEDIATELY, EVACUATE AND CALL THE FIRE DEPARTMENT.
2. NEVER PICK UP A FLAMING PAN – You may be burned.
3. DO NOT USE WATER, including wet dishcloths or towels – This could cause a violent steam explosion.
4. Use an extinguisher ONLY if:
 - A. You own a Class ABC extinguisher and you know how to operate it.
 - B. The fire is small and contained in the area where it started.
 - C. The fire department has been called.
 - D. You can fight the fire with your back to an exit.

* Based on "Kitchen Fire Safety Tips" published by NFPA.

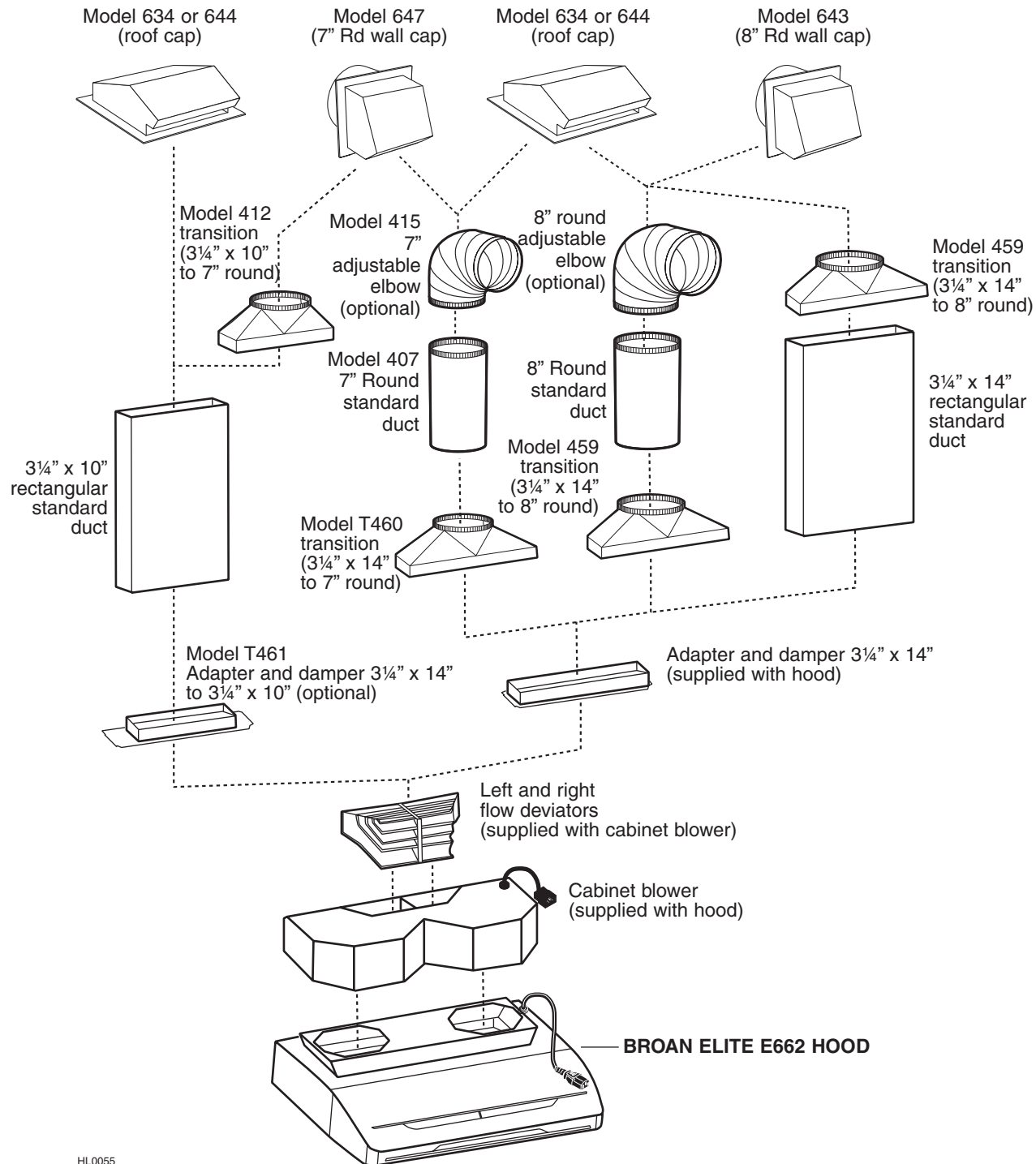
CAUTION

1. For general ventilating use only. Do not use to exhaust hazardous or explosive materials and vapors.
2. To avoid motor bearing damage and noisy and/or unbalanced impellers, keep drywall spray, construction dust, etc. off power unit.
3. Your hood motor has a thermal overload which will automatically shut off the motor if they becomes overheated. The motor will restart when they will cools down. If the motors continue to shut off and restart, have the hood serviced.
4. The minimum hood distance above cooktop must not be less than 24". A maximum of 30" above cooktop is highly recommended for best capture of cooking impurities.
5. Two installers are recommended because of the large size and weight of this hood.
6. To reduce the risk of fire and to properly exhaust air, be sure to duct air outside – Do not exhaust air into spaces within walls or ceiling or into attics, crawl space or garage.
7. This product is equipped with a thermostat which may start blower automatically. To reduce the risk of injury and to prevent power from being switched on accidentally, switch power off at service panel and lock or tag service panel.
8. Because of the high exhausting capacity of this hood, you should make sure enough air is entering the house to replace exhausted air by opening a window close to or in the kitchen.
9. Use with approved cord-connection kit only.
10. Please read specification label on product for further information and requirements.

TABLE OF CONTENTS

BROAN ELITE E662 HOOD SYSTEM	1
1. INSTALL DUCTWORK	2
2. PREPARE THE INSTALLATION	2
3. CABINET PREPARATION	3
4. CUTTING HOLES	3
5. PREPARE THE HOOD	4
6. INSTALL THE HOOD	4
7. CABINET BLOWER PREPARATION	5
8. INSTALL THE BLOWER IN THE CABINET	6
9. CONNECT WIRING	7
10. REINSTALL SIDE PANELS	7
11. LIGHT BULBS	8
12. OPERATION	9
13. USE AND CARE	10
14. WIRING DIAGRAM	11
15. SERVICE PARTS	12
16. WARRANTY	13

BROAN ELITE E662 HOOD SYSTEM



HL0055

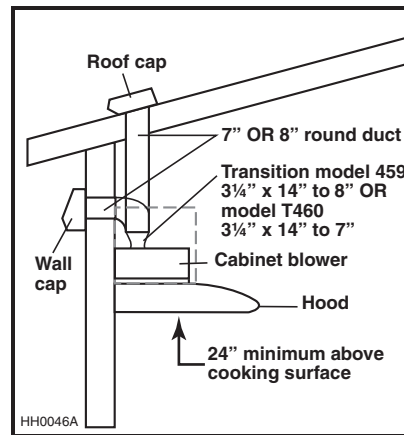
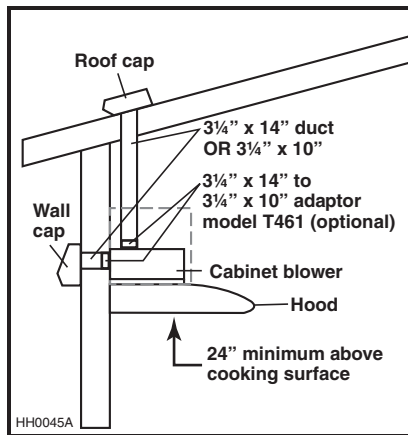
1. INSTALL DUCTWORK

Plan where and how the ductwork will be installed. Install proper-sized ductwork, elbows and roof or wall cap for the type of blower you are installing. Use 2" duct tape to seal duct joints.

NOTE: When performing vertical exhaust ductwork, there must be at least 14" high free inside cabinet in order to allow cabinet blower installation.

The minimum hood distance above cooktop must not be less than 24". A maximum of 30" above cooktop is highly recommended for best capture of cooking impurities.

Distances over 30" are at the installer and users discretion.



2. PREPARE THE INSTALLATION

Make sure that the following items are included:

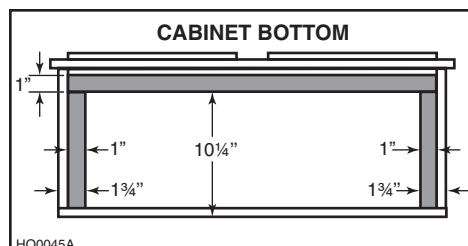
- Hood
- Accessories:
 - Filters (2 for 30" and 36" width hoods, 3 for 42" width hood)
 - Cabinet blower including left and right flow deviators (assembled to cabinet blower)
 - Electrical cable with 3-prong redeptacle (inside one filler)
 - 3 1/4" x 14" adapter/damper (inside one filler)
 - Bag of parts (inside one filler) including:
 - (2) wire clamps, (5) no. 8 x 1/2" screws, (3) wire connectors, (9) no. 8 x 3/8" screws

Parts sold separately:

- Halogen lights (MR16, GU10, 120 V, 50 W)
- Transition 3 1/4" x 14" to 8" round model no. 459 (optional), transition 3 1/4" x 14" to 7" round model no. T460 (optional), adaptor/damper 3 1/4" x 14" to 3 1/4" x 10" model T461 (optional), ducts, elbows, dampers, wall and roof caps. Refer to page 1 for a complete list of venting options and model numbers.

NOTES: 1. During installation, protect countertop and/or cooktop.

2. If the bottom of the cabinet is recessed, attach three 1" width wood strip (not included). Refer to figure below for wood strips proper location.

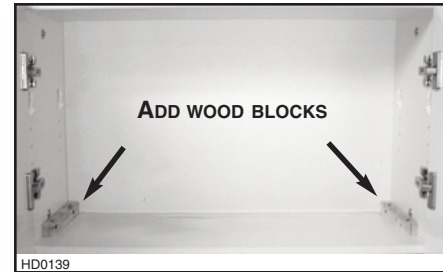


3. CABINET PREPARATION

⚠ WARNING

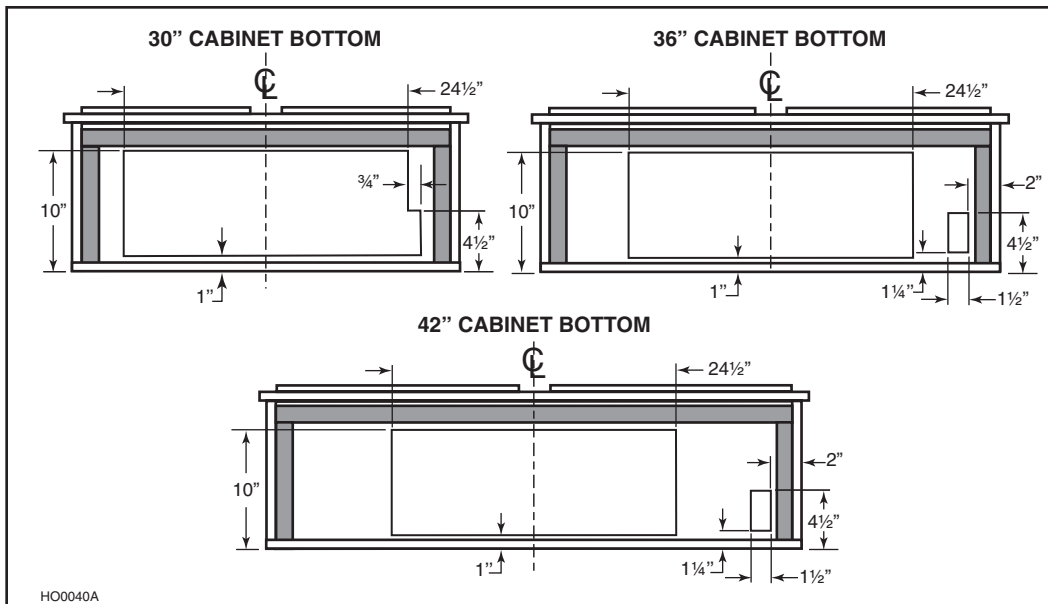
The cabinet must be sized to support the total weight of the hood. For the E662 hood model, the total weight is 41 lb (19 kg).

If the cabinet need to be reinforced, we suggest to add wood blocks the strengthen the connection between the bottom of the cabinet and its sides, as shown beside.



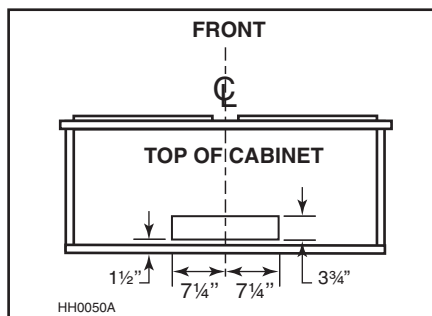
4. CUTTING HOLES

See figures below for cut-out dimensions in the bottom of the cabinet.

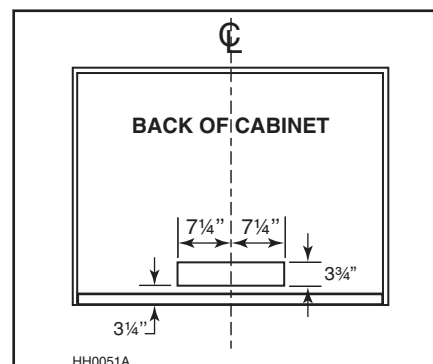


See figures below for cut-out dimensions for ducting.

VERTICAL DISCHARGE



HORIZONTAL DISCHARGE



5. PREPARE THE HOOD

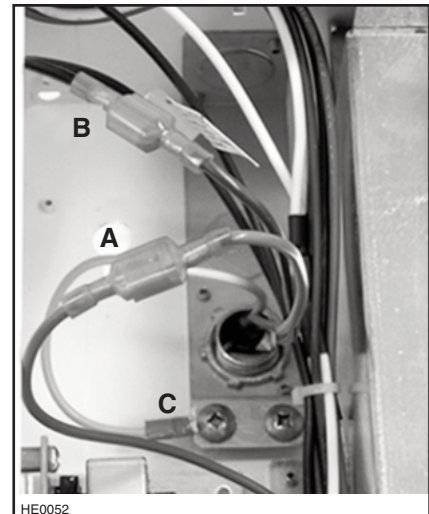
- 5.1 Remove filters from the hood. Remove (3) screws holding both side panels to the hood and set aside. Remove both side panels.



- 5.2 Punch out 2 knock-out holes for electrical connections (2 on top or one on top and one on back of the hood).

- 5.3 Attach one wire clamp on top of the hood for the provided electrical cable with 3-prong plug. Through the wire clamp, insert this electrical cable in the hood and tighten the wire clamp to secure the cable.

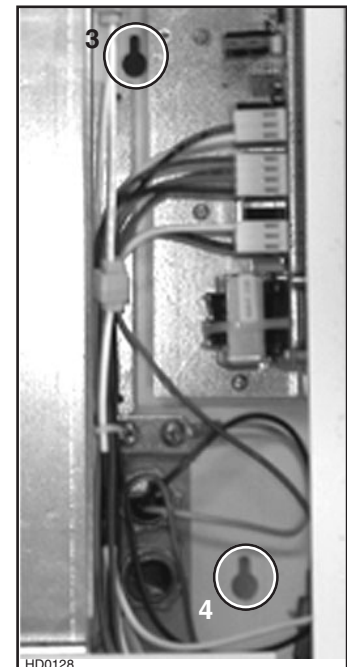
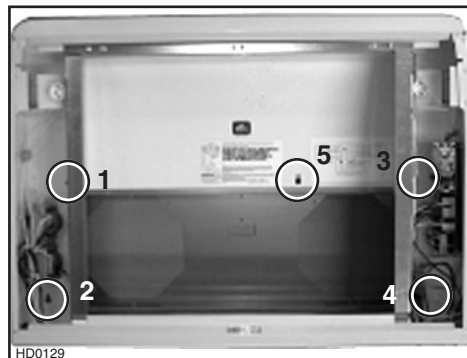
- 5.4 Connect cable wires as follow: BLUE wire with red connector to BLUE wire with red connector (A), BROWN wire with red connector to BLACK wire with red connector (B), GREEN wire under ground screw (C). **DO NOT FORGET TO CONNECT THE GROUND.**



6. INSTALL THE HOOD

- 6.1 Run power cable to installation location. Position the hood in its intended location. Using a pen mark the position of the screws (smaller part of the keyholes, see pictures below for the (5) keyholes locations). Remove the hood.

- 6.2 Install (4) no. 8 x 1/2" screws, leaving a 1/8" gap (do not install the no 5 screw yet).



6. INSTALL THE HOOD (CONT'D)

- 6.3 Attach the second wire clamp, insert the power cable in the hood and tighten the wire clamp to secure the cable. Place the hood under the cabinet and slide it in position. Run power cable from hood up through slot cut in cabinet. Tighten the (4) screws completely, then add the last screw (screw no 5) in the center keyhole.

7. CABINET BLOWER PREPARATION

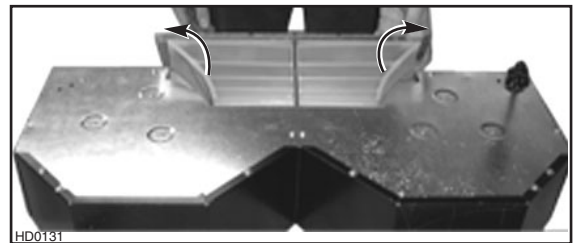
7.1 VERTICAL DISCHARGE ONLY

- 7.1.1 Seal the metal shutoff plate on the back of the cabinet blower using duct tape.

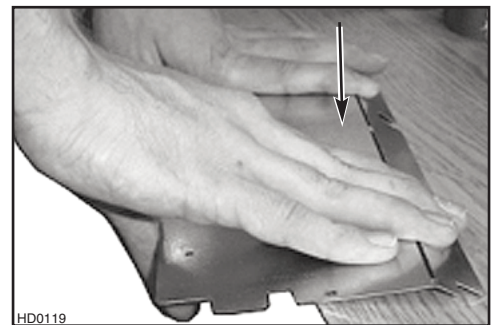


7.2 HORIZONTAL DISCHARGE ONLY

- 7.2.1 The cabinet blower included with the E662 model is factory set to exhaust vertically. If the horizontal discharge is chosen, remove the metal shutoff plate from back of the hood, by removing the 3 screws. Set aside screws. Discard both left and right plastic diverters assembled to the metal shut off plate.



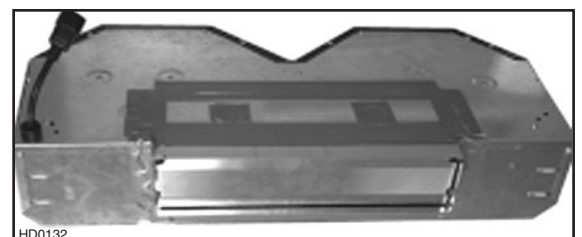
- 7.2.2 Press the metal shutoff plate on a surface to completely flatten bent flange and install on the top of the blower, using the 3 screws previously set aside plus another no. 8 x 1/2" screw (from parts bag).



- 7.2.3 Fold down the foldable flange of the adapter/damper. This flange must be at 90° from the remaining flanges. See picture beside.

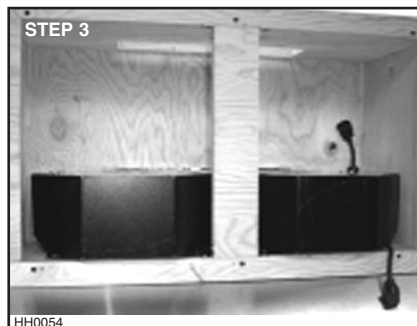
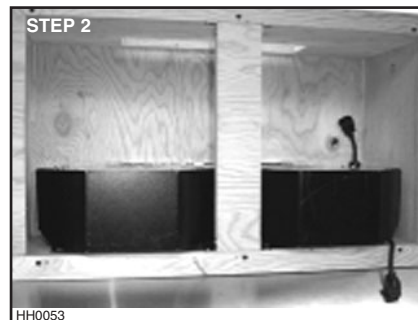
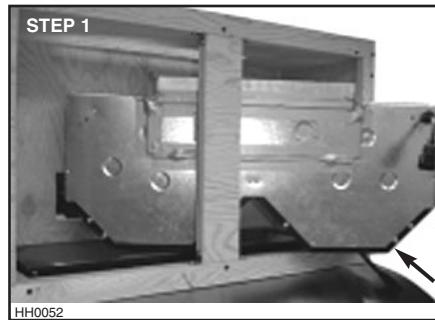


- 7.2.4 Using three (3) no. 8 x 1/2" screws provided with hood, secure the adapter to the back of the cabinet blower. Remove tape from damper flap. Seal the adapter and the metal shutoff plate to the cabinet blower using duct tape.



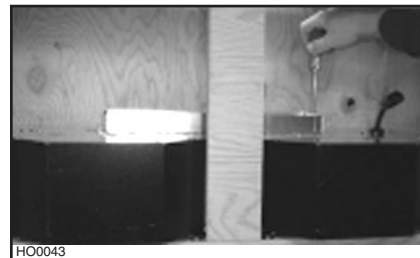
8. INSTALL THE BLOWER IN THE CABINET

- 8.1 Install the cabinet in the cabinet and rest it on the adapter plate. If a framed cabinet is used, insert the blower as shown in pictures below.



8.2 VERTICAL DISCHARGE ONLY

- 8.2.1 Using four (4) no. 8 x 1/2" screws provided with hood, secure the adapter to the top of the cabinet below. Remove tape from damper flap. Seal the adapter to the cabinet below using tape.

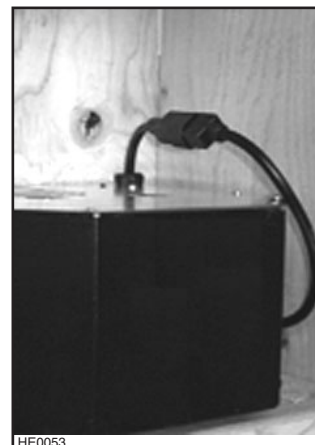


8.3 ALL DISCHARGE TYPES

- 8.3.1 From inside the hood, secure the blower to the adaptor plate of the hood using five (5) no 8 x 3/8 screws.



- 8.3.2 Plug the cabinet blower to the hood receptacle.



9. CONNECT WIRING

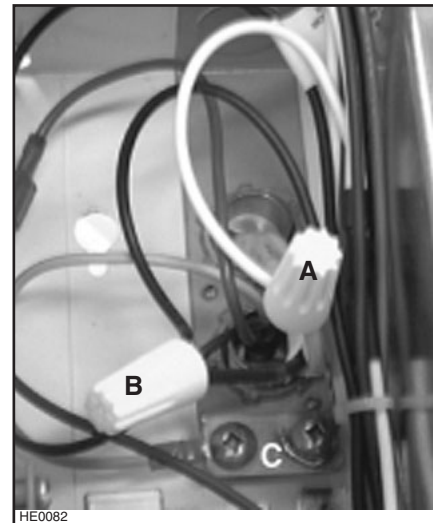
WARNING

Risk of electrical shock. Electrical wiring must be done by qualified personnel in accordance with all applicable codes and standards. Before connecting wires, switch power off at service panel and lock service disconnecting means to prevent power from being switched on accidentally.

Connect cable into wiring box using provided wire connectors.

Connect wires as follow: WHITE to WHITE (A), BLACK TO BLACK (B), and GREEN or BARE wires under GREEN ground screws (C).

DO NOT FORGET TO CONNECT THE GROUND.

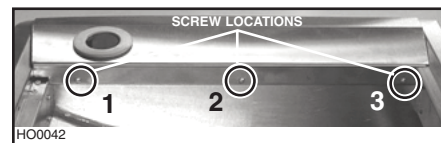


10. REINSTALL SIDE PANELS

Reinstall both side panels, using 3 screws per side (saved from step 5), as shown beside.

CAUTION

Remove protective plastic film covering filters before installing them.



Reinstall filters.

11. LIGHT BULBS

This hood must use 120V, 50W max., type MR16, GU10 shielded halogen lamps. **(Purchase separately).**

WARNING

In order to prevent the risk of personal injury, do not install a lamp identified for use only in enclosed fixtures.

NOTE: The rings must be removed from bottom banel before installing halogen lamps.

11.1 Install the lamps by placing the bulb leads into their grooves in the socket and gently push upward and turn clockwise until secured.



11.2 Install trim rings by pushing upward.



WARNING

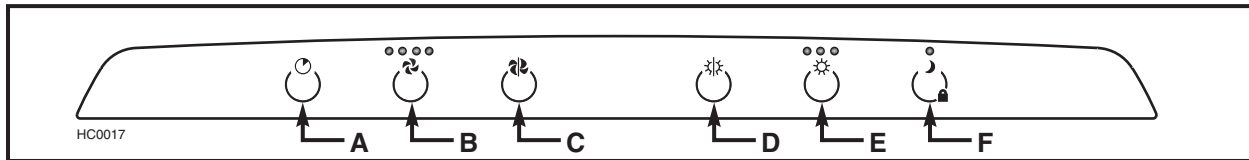
In order to prevent the risk of personal injury, the halogen lamps must be cooled down before removing them.

11.3 To remove lamps, gently push upward and turn counterclockwise to disengage bulb leads from their grooves.



12. OPERATION

Always turn your blower on before you begin cooking to establish an air flow in the kitchen. Allow the blower run for a few minutes to clear the air after you turn off the range.



A) Blower OFF Delay touch pad
B) ON / Blower speed touch pad
C) OFF Blower touch pad

D) OFF lighting touch pad
E) Halogen light touch pad
F) Nightlight / keyboard lock touch pad

A. BLOWER OFF DELAY TOUCH PAD:

When a speed is selected, touch the delay touch pad to activate the delay function. The corresponding speed indicator LED will start flashing to indicate this function is activated. Touch once for a 5-minute delay, twice for 10-minute delay, three times for 15-minute delay and four times for a 20-minute delay. The fan will continue to operate for the programmed minutes and will stop automatically. To cancel the delay function, wait 2 seconds and touch the delay touch pad once again; the blower will then work in normal mode.

NOTE: The blower speed can be increased - or decreased - during delay mode without starting another delay cycle.

B. ON /BLOWER SPEED CONTROL TOUCH PAD:

Touch this touch pad to turn on the blower at the last selected speed. To change the blower speed, touch the touch pad again until the desired speed is obtained.

- NOTES:
1. Each time you touch on the speed control touch pad, the speed changes by increments of 1 (e.g.: speed 1 to speed 2, to speed 3, and then speed 4. From the fourth speed, goes down to speed 1).
 2. The last speed used is kept in memory except the fourth, the next time the blower will be turned on, it will run on speed 3.

HEAT SENTRY

This hood is equipped with a Heat Sentry thermostat. This thermostat is a device that will turn on or speed up the blower if it senses excessive heat above the cooking surface.

- 1) If blower is OFF - it turns blower ON to HIGH speed.
- 2) If blower is ON at a lower speed setting – it turns the blower up to HIGH speed.

When HEAT SENTRY is activated, the first and the last speed blower LEDs are flashing alternately.

When the temperature level drops to normal, the blower will return to its original setting.

⚠ WARNING

The HEAT SENTRY can start the blower even if the hood is turned OFF. In this case, it is impossible to turn the blower OFF with blower switch. If you must stop the blower, do it from the main electrical panel.

C. OFF BLOWER TOUCH PAD:

Touch this touch pad to turn off the blower. This command also cancels the delay function (if activated).

D. OFF LIGHTING TOUCH PAD:

Touch this touch pad to turn off lighting.

E. HALOGEN LIGHT TOUCH PAD:

Touch this touch pad to turn on the halogen lamps. The lighting intensity changes by increments of 1 (e.g.: Touch once for low intensity, once again to get more, up to three times. From the higher intensity, touch once to go back to the lower intensity).

NOTE: The last lighting intensity used is kept in memory. The next time the halogen lamps will be turned on, they will light with the last intensity used.

F. NIGHTLIGHT / KEYBOARD LOCK TOUCH PAD:

Touch this touch pad to activate the nightlight. The LED will light to indicate the nightlight is on.

When cleaning the hood, use the keyboard lock. To activate the keyboard lock, touch on this touch pad during 3 seconds; the LED will flash to indicate the keyboard lock is on. Touch on the touch pad and hold for 3 seconds again to stop the keyboard lock function.

- NOTES:
1. **When cleaning the hood, never spray cleaning agent directly on the controls; spray it on the cleaning cloth and wipe the control with it. Spraying cleaning agent directly on the control will cause unexpected keyboard activation.**
 2. When the keyboard lock is on, it stops the HEAT SENTRY.
 3. If there a temporary power failure when the keyboard lock is on, when the power will be restored, the keyboard lock will still be on.

13. USE AND CARE

Grease filters and side panels.

The grease filters and the bottom panel should be cleaned frequently. Use a warm detergent solution.

Remove grease filters by pushing them towards the back of hood and rotating downward.

When cleaning the hood, never spray cleaning agent directly on the controls; spray it on the cleaning cloth and wipe the control with it. Spraying cleaning agent directly on the control will cause unexpected keyboard activation.

STAINLESS STEEL CLEANING:

Do: - Regularly wash surfaces with clean cloth or rag soaked with warm water and mild soap or liquid dish detergent.

- Always clean in the direction of original polish lines.
- Always rinse well with clear water (2 or 3 times) after cleaning. Wipe completely dry.
- You may also use a specialized household stainless steel cleaner.

Don't: - Do not use any steel or stainless steel wool or any other scrapers to remove stubborn dirt.

- Do not use any harsh or abrasive cleansers.
- Do not allow dirt to accumulate.
- Do not let plaster dust or any construction residues reach the hood. During construction or renovation, cover the hood to make sure no dust sticks to stainless steel surface.

Avoid: when choosing a detergent

- Any cleaners that contain **bleach** will attack stainless steel.
- Any products containing : **chloride, fluoride, iodide, bromide** will deteriorate surfaces rapidly.
- Any **combustible products** used for cleaning such as **acetone, alcohol, ether, benzol**, etc., are highly explosive and should never be used close to a range.

PAINTED FINISH:

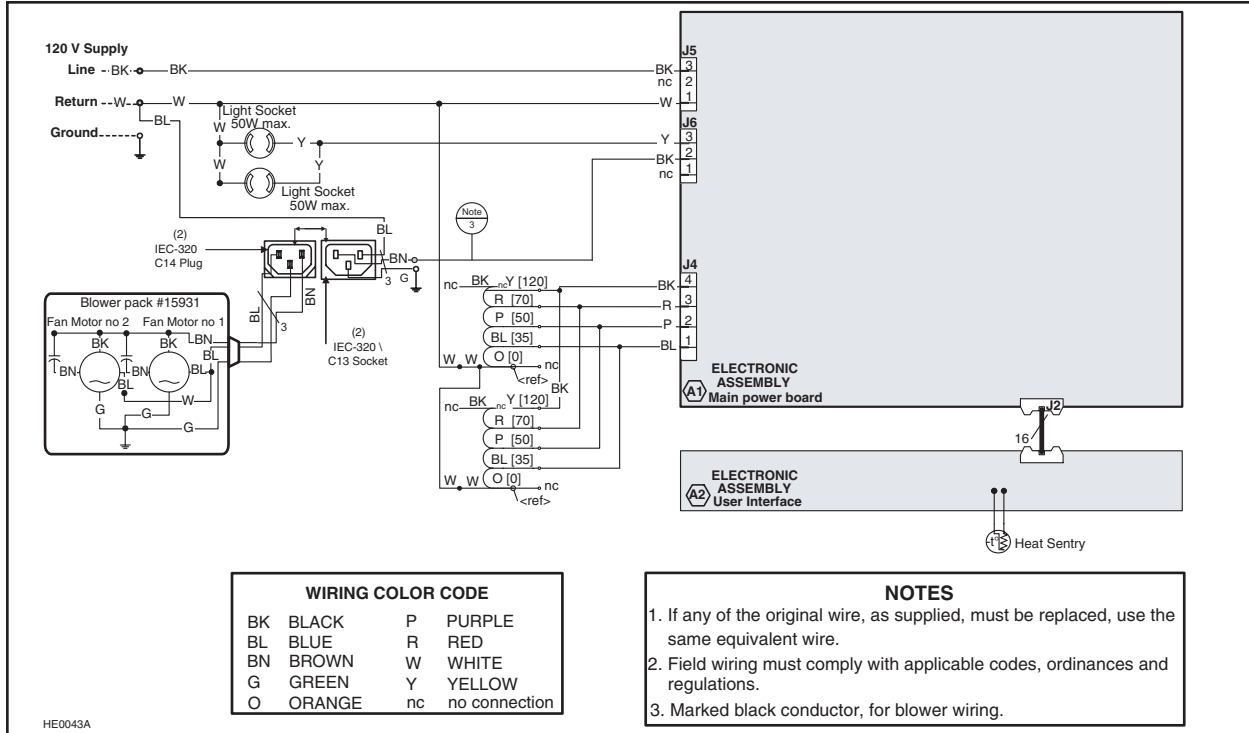
Clean with warm water and mild detergent only. If discoloration occurs, use a good enamel polish such as automotive polish. (DO NOT use rough abrasive cleaner or porcelain cleaner).

14. WIRING DIAGRAM



WARNING

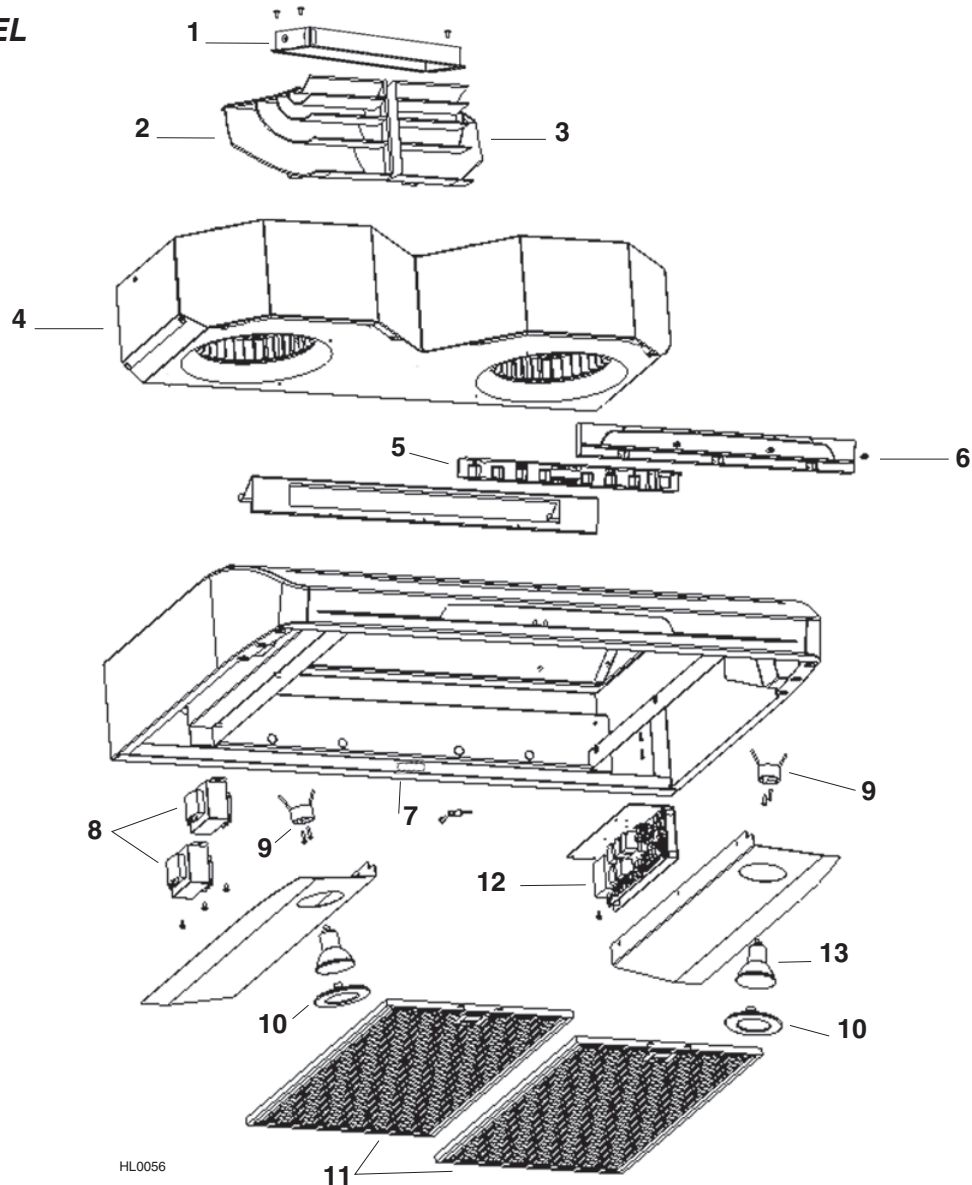
Risk of electrical shock. Electrical wiring must be done by qualified personnel in accordance with all applicable codes and standards. Before connecting wires, switch power off at service panel and lock service disconnecting means to prevent power from being switched on accidentally.



HE0043A

15. SERVICE PARTS

E662 MODEL



HL0056

KEY no.	PART NUMBER	DESCRIPTION	WIDTHS		
			30"	36"	42"
1	V14971	ADAPTER/DAMPER	1	1	1
2	V06242	LEFT FLOW DEVIATOR	1	1	1
3	V06243	RIGHT FLOW DEVIATOR	1	1	1
4	V15931	CABINET BLOWER	1	1	1
5	V06263	CONTROL PCB	1	1	1
6	V06262	CONTROL FASCIA	1	1	1
7	V06750	BROAN ELITE LOGO	1	1	1
8	V06741	TRANSFORMER AND HARNESS KIT	1	1	1
9	V05917	LAMP SOCKET	2	2	2
10	V06268	TRIM RING	2	2	2
11	V06265	FILTERS 9.922" X 17.981"	2	-	3
	V06266	FILTERS 12.922" X 17.981"	-	2	-
12	V06733-2	CONTROL PROCESSOR UNIT	1	1	1
13	V05921	HALOGEN LAMP 50W, 120V, GU-10	2	2	2
*	V06734	LOW VOLTAGE HARNESS	1	-	-
*	V06745	LOW VOLTAGE HARNESS	-	1	-
*	V06746	LOW VOLTAGE HARNESS	-	-	1
*	V06776	BLOWER CORD	1	1	1
*	V06784	HOOD CORD	1	1	1
*	V06800	INSTALLATION MANUAL	1	1	1
*		PARTS BAG ((2) wire clamps, (3) wire connectors, ((5) no. 8 x 1/2" screws, (9) no. 8 x 3/8" screws)	1	1	1

* Item not shown.

16. WARRANTY

WARRANTY

BROAN-NUTONE LLC ONE-YEAR LIMITED WARRANTY

Broan-NuTone LLC warrants to the original consumer purchaser of its products that such products will be free from defects in materials or workmanship for a period of one year from the date of original purchase. THERE ARE NO OTHER WARRANTIES, EXPRESS OR IMPLIED, INCLUDING, BUT NOT LIMITED TO, IMPLIED WARRANTIES OR MERCHANTABILITY OR FITNESS FOR A PARTICULAR PURPOSE.

During this one-year period, Broan-NuTone LLC will, at its option, repair or replace, without charge, any product or part which is found to be defective under normal use and service.

This warranty does not cover (a) normal maintenance and service or (b) any products or parts which have been subject to misuse, negligence, accident, improper maintenance or repair (other than by Broan-Nutone LLC), faulty installation or installation contrary to recommended installation instructions.

The duration of any implied warranty is limited to the one-year period as specified for the express warranty. Some states or provinces do not allow limitation on how long an implied warranty lasts, so the above limitation may not apply to you.

BROAN-NUTONE LLC'S OBLIGATION TO REPAIR OR REPLACE, AT BROAN-NUTONE LLC'S OPTION, SHALL BE THE PURCHASER'S SOLE AND EXCLUSIVE REMEDY UNDER THIS WARRANTY. BROAN-NUTONE LLC SHALL NOT BE LIABLE FOR INCIDENTAL, CONSEQUENTIAL OR SPECIAL DAMAGES ARISING OUT OF OR IN CONNECTION WITH PRODUCT USE OR PERFORMANCE. Some states or provinces do not allow the exclusion or limitation of incidental or consequential damages, so the above limitation or exclusion may not apply to you.

This warranty gives you specific legal rights, and you may also have other rights, which vary from state to state or province to another. This warranty supersedes all prior warranties.

To qualify for warranty service, you must (a) notify Broan-NuTone LLC at the addresses or telephone number stated below, (b) give the model number and part identification and (c) describe the nature of any defect in the product or part. At the time of requesting warranty service, you must present evidence of the original purchase date.

Broan-NuTone LLC, 926 West State Street, Hartford, WI 53027 (1-800-637-1453)

NuTone Inc., 4820 Red Bank Road, Cincinnati, OH 45227 (1-800-543-8687)

Broan-NuTone Canada Inc., 1140 Tristar Drive, Mississauga, ON L5T 1H9 (1-888-882-7626)

BROAN® *Elite*



HB0037

MODÈLE E662

⚠ CONÇUE POUR LA CUISSON DOMESTIQUE SEULEMENT ⚠

LIRE ET CONSERVER CES INSTRUCTIONS

INSTALLATEUR : LAISSER CE GUIDE AU PROPRIÉTAIRE.

PROPRIÉTAIRE : INSTRUCTIONS D'UTILISATION ET D'ENTRETIEN EN PAGES 26

Broan-NuTone LLC, 926 West State Street, Hartford, WI 53027 (1-800-637-1453)

NuTone Inc., 4820 Red Bank Road, Cincinnati, OH 45227 (1-800-543-8687)

Broan-NuTone Canada Inc., 1140 Tristar Drive, Mississauga, ON L5T 1H9 (1-888-882-7626)

ENREGISTREZ VOTRE PRODUIT EN LIGNE À : www.broan.com/register

V06800 rév. E

AVERTISSEMENT

AFIN DE RÉDUIRE LES RISQUES D'INCENDIE, D'ÉLECTROCUTION OU DE BLESSURES CORPORELLES, SUIVEZ LES INSTRUCTIONS SUIVANTES :

1. N'utilisez cet appareil que de la façon prévue par le fabricant. Si vous avez des questions, contactez le fabricant à l'adresse et au numéro de téléphone indiqués sur la garantie.
2. Avant de réparer ou de nettoyer l'appareil, couper l'alimentation électrique en verrouillant le panneau de service afin d'éviter sa remise en marche accidentelle. Si le panneau de service ne peut être verrouillé, y fixer un avertissement en évidence.
3. Les travaux d'installation et de raccordement électrique doivent être effectués par une personne qualifiée, conformément aux codes et standards de construction, incluant ceux concernant le feu.
4. Une quantité d'air adéquate est requise afin d'assurer une bonne combustion et l'évacuation des gaz par la cheminée dans le cas des équipements alimentés au gaz, afin de prévenir les retours de cheminée. Conformez-vous aux instructions et aux standards de sécurité des fabricants d'équipement de chauffage, tel que publiés par la *National Fire Protection Association (NFPA)*, et l'*American Society for Heating, Refrigeration and Air Conditioning Engineers (ASHRAE)*, ainsi que les responsables des codes locaux.
5. Lorsque vous coupez ou percez un mur ou un plafond, prenez garde de ne pas endommager les fils électriques ou tout appareil cachés..
6. Les ventilateurs avec conduits doivent toujours être ventilés à l'extérieur.
7. Ne pas utiliser cet appareil avec une commande de vitesse à semi-conducteur additionnelle.
8. Afin de réduire les risques d'incendie, n'utilisez que des conduits en acier.
9. Cet appareil doit être mis à la terre.

AFIN DE RÉDUIRE LES RISQUES DE FEU DE CUISINIÈRE :

- a) Ne jamais laisser les appareils de cuisson sans surveillance lorsqu'ils sont réglés à feu vif. Les débordements engendrent de la fumée et des déversements graisseux pouvant s'enflammer. Chauffez l'huile lentement, à feu doux ou moyen.
- b) Toujours mettre la hotte en marche lorsque vous cuisinez à feu vif ou que vous cuisinez des mets flambés.
- c) Nettoyez régulièrement la roue du ventilateur. Ne laissez pas la graisse s'accumuler sur le ventilateur ou les filtres.
- d) Utilisez le bon format de casserole. Servez-vous toujours de casseroles et d'ustensiles appropriés à la dimension de la surface chauffante.

AVERTISSEMENT

AFIN D'ÉVITER TOUT RISQUE DE BLESSURES DANS LE CAS D'UN FEU DE CUISINIÈRE, SUIVEZ CES INSTRUCTIONS* :

1. Éteignez les flammes avec un couvercle hermétique, une tôle à biscuits ou un plateau métallique et ensuite, éteindre le brûleur. **PRENEZ SOIN D'ÉVITER LES BRÛLURES. SI LES FLAMMES NE S'ÉTEignent PAS IMMÉDIATEMENT, ÉVACUEZ LES LIEUX ET APPELEZ LES POMPIERS.**
2. **NE PRENEZ JAMAIS UNE CASSEROLE EN FLAMMES DANS VOS MAINS – Vous pourriez subir des brûlures.**
3. **N'UTILISEZ PAS D'EAU**, incluant linge à vaisselle ou serviette mouillés – ceci pourrait occasionner une violente explosion.
4. N'utilisez un extincteur **QUE DANS LE CAS OÙ :**
 - A. Vous savez qu'il s'agit d'un extincteur de classe ABC et que vous en connaissez le fonctionnement.
 - B. L'incendie est petit et limité à l'endroit où il a débuté.
 - C. Les pompiers ont été avisés.
 - D. Vous pouvez combattre l'incendie en ayant accès à une sortie de secours.

*Tirées du *Kitchen Fire Safety Tips* publié par la NFPA.

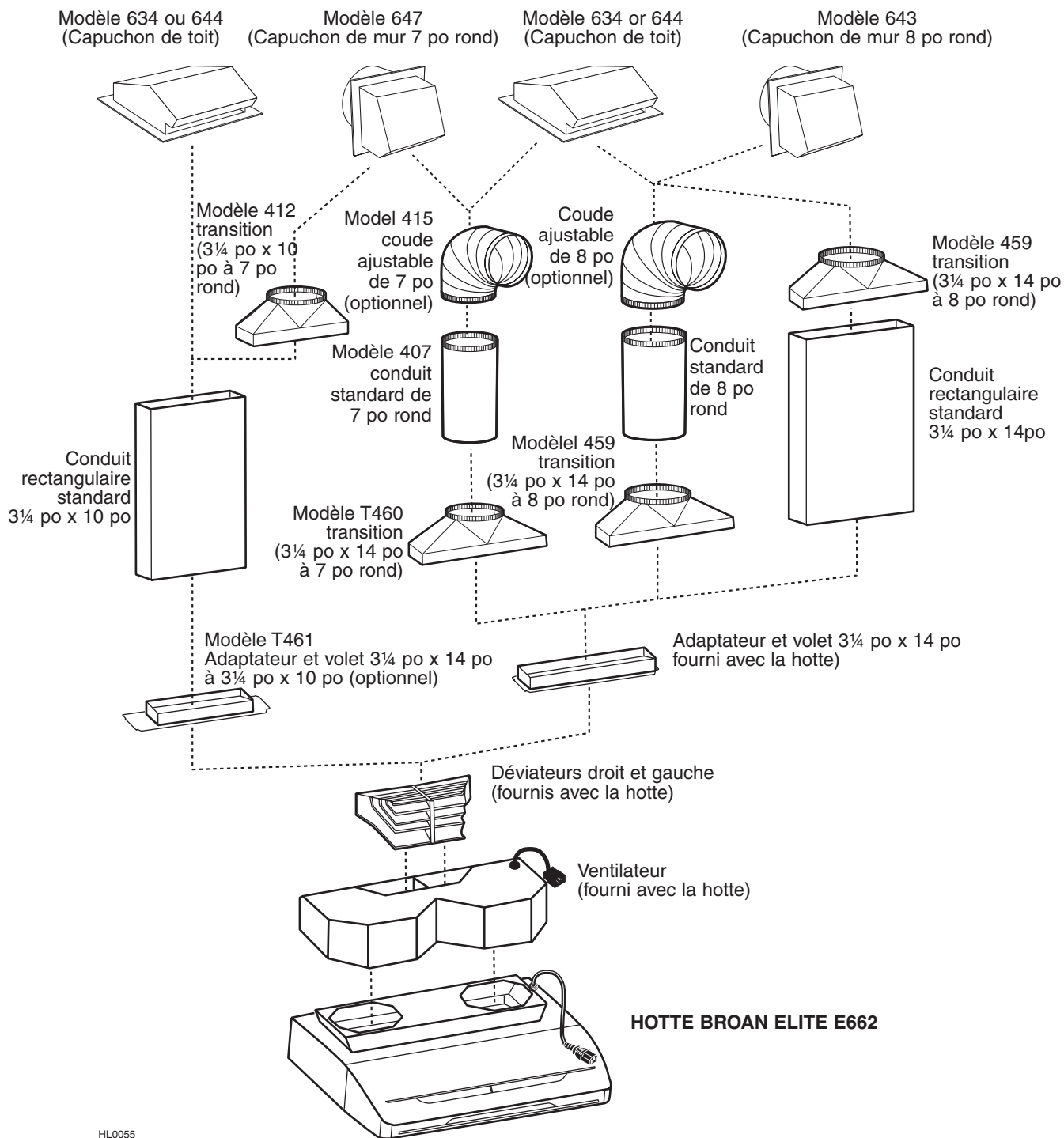
ATTENTION

1. Pour usage domestique seulement. Ne pas utiliser pour évacuer des vapeurs ou des produits dangereux ou explosifs.
2. Afin d'éviter tout dommage aux moteurs et de débalancer ou de rendre bruyante la roue des moteurs, garder votre appareil à l'abri des poussières de placoplâtre et de construction/rénovation, etc.
3. Les moteurs de votre hotte possèdent une protection thermique qui éteindra automatiquement les moteurs s'ils deviennent surchauffés. Si les moteurs s'arrêtent, cessez la cuisson Les moteurs repartiront automatiquement une fois refroidis. Si les moteurs continuent à arrêter et à repartir, faites-les vérifier.
4. La distance minimale entre le bas de votre hotte et la surface de cuisson ne doit pas être plus petite que 24 po Un maximum de 30 po au dessus de la surface de cuisson est fortement recommandé pour une meilleure évacuation des odeurs de cuisine.
5. Deux installateurs sont recommandés lors de l'installation vu la grande dimension et au poids de cet appareil.
6. Afin de réduire les risques d'incendie, assurez-vous d'évacuer l'air à l'extérieur – Ne pas évacuer l'air dans des espaces restreints comme l'intérieur des murs ou plafond ou dans le grenier, faux plafond ou garage.
7. Cet appareil est équipé d'un thermostat pouvant faire démarrer le ventilateur automatiquement. Afin de réduire le risque de blessure, couper le courant à partir du panneau électrique et verrouiller ou apposer un avertissement sur le panneau afin d'éviter que la hotte soit mise en marche automatiquement.
8. À cause de la grande capacité d'évacuation de cet appareil, si utilisé à l'intérieur, il est recommandé d'ouvrir une fenêtre dans ou près de la cuisine afin de remplacer l'air évacué.
9. Cette hotte ne doit être utilisée seulement qu'avec un ensemble de cordon d'alimentation approuvé.
10. Veuillez consulter l'autocollant apposé à l'intérieur du produit pour plus d'information ou autres exigences.

TABLE DES MATIÈRES

SYSTÈME DE HOTTE BROAN ELITE E662	17
1. INSTALLATION DES CONDUITS	18
2. PRÉPARATION DE L'INSTALLATION	18
3. PRÉPARATION DE L'ARMOIRE	19
4. DÉCOUPE DES TROUS	19
5. PRÉPARATION DE LA HOTTE	20
6. INSTALLATION DE LA HOTTE	20
7. PRÉPARATION DU VENTILATEUR	21
8. INSTALLATION DU VENTILATEUR DANS L'ARMOIRE	22
9. BRANCHEMENT ÉLECTRIQUE	23
10. RÉINSTALLER LES PANNEAUX LATÉRAUX	23
11. LAMPES HALOGÈNES	24
12. FONCTIONNEMENT	25
13. ENTRETIEN	26
14. SCHÉMA ÉLECTRIQUE	27
15. PIÈCES DE REMPLACEMENT	28
16. GARANTIE.	29

SYSTÈME DE HOTTE BROAN ELITE E662



HL0055

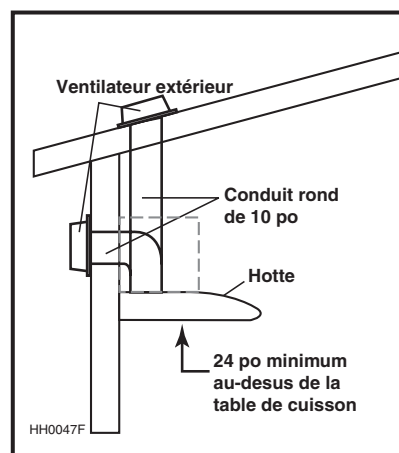
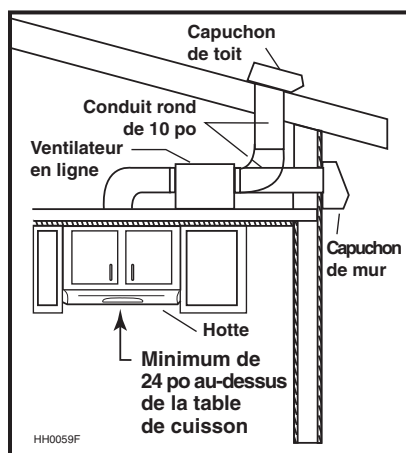
1. INSTALLATION DES CONDUITS

Planifier à quel endroit et de quelle façon les conduits seront installés. Installer des conduits de format adéquat, coude(s) et capuchon de mur ou de toit. Sceller les joints avec du ruban adhésif de 2 po de largeur.

NOTE : Pour une installation avec évacuation verticale, prévoir une hauteur libre d'au moins 14 po de haut l'intérieur de l'armoire afin de permettre l'installation adquate du ventilateur.

La distance minimale entre le bas de votre hotte et la surface de cuisson ne doit pas être plus petite que 24 po. Un maximum de 30 po au dessus de la surface de cuisson est fortement recommandé pour une meilleure évacuation des odeurs de cuisine.

Une distance de plus de 30 po demeure à la discrétion de l'installateur et de l'utilisateur.



2. PRÉPARER L'INSTALLATION

S'assurer que les items suivants sont inclus :

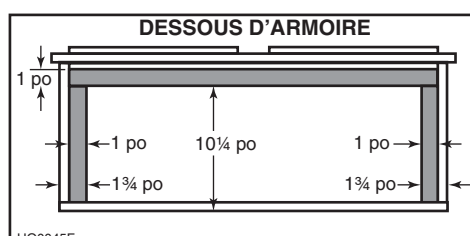
- Hotte
- Accessoires :
 - Filtres (2 pour une hotte de 30 po ou 36 po de largeur, 3 pour une hotte de 42 po de largeur)
 - Ventilateur incluant les déviateurs droit et gauche (assemblés au ventilateur)
 - Cordon électrique avec prise à trois trous (à l'intérieur d'un embout en styromousse)
 - Adapteur 3¼ po x 14 po (à l'intérieur d'un embout en styromousse)
 - Sac de pièces (à l'intérieur d'un embout en styromousse) comprenant:
 - (2) serre-fils, (5) vis n° 8 x 1/2 po, (3) connecteurs et (9) vis n° 8 x 3/4 po

Pièces vendues séparément :

- Lampes halogènes (MR16, GU10, 120 V, 50 W)
- Transition ronde 3¼ po x 14 po à 8 po, modèle 459 (optionnelle), transition ronde 3¼ po x 14 po à 7 po modèle T460 (optionnelle), adaptateur 3¼ po x 14 po à 3¼ po x 10 po modèle T461 (optionnelle), conduits, coudes, volets, capuchon de mur ou de toit.
- Consulter la page 17 pour la liste complète des accessoires et les numéros de modèle.

NOTES :1. Protéger la table de cuisson et/ou le comptoir de cuisine lors de l'installation.

2. Si le fond de l'armoire est en retrait, fixer 3 languettes de bois de 1 po de largeur (non incluses) pour combler l'espace afin de bien retenir la hotte à l'armoire. Voir ci-dessous pour le positionnement des languettes.

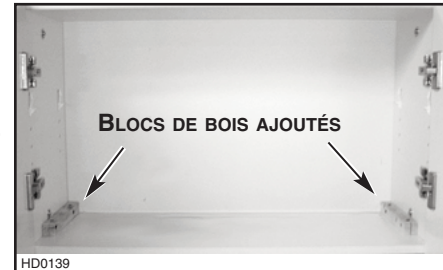


3. PRÉPARATION DE L'ARMOIRE

⚠ AVERTISSEMENT

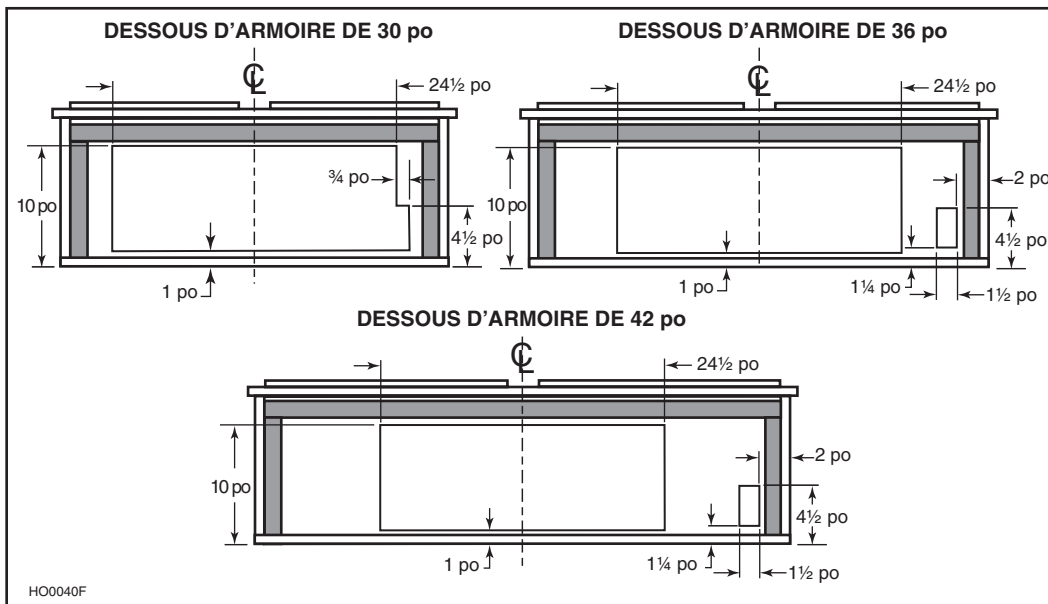
L'armoire doit être conçue de façon à pouvoir supporter le poids total de la hotte, qui est de 41 lb (19 kg).

Si l'armoire doit être renforcée, il est suggéré d'ajouter des blocs de bois afin de solidifier le joint entre le bas de l'armoire et ses côtés, tel qu'illustré ci-contre.



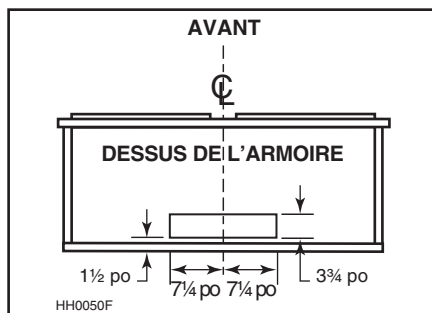
4. DÉCOUPE DES TROUS

Consulter la figure ci-contre pour connaître les dimensions de découpe des trous dans la base de l'armoire.

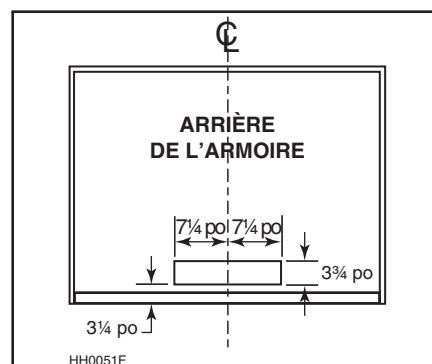


Consulter les figures ci-dessous pour connaître la localisation des découpes pour les conduits.

ÉVACUATION VERTICALE



ÉVACUATION HORIZONTALE



5. PRÉPARATION DE LA HOTTE

- 5.1 Retirer les filtres de la hotte. Retirer les 3 vis retenant chacun des panneaux latéraux et mettre de côté. Retirer les 2 panneaux latéraux.

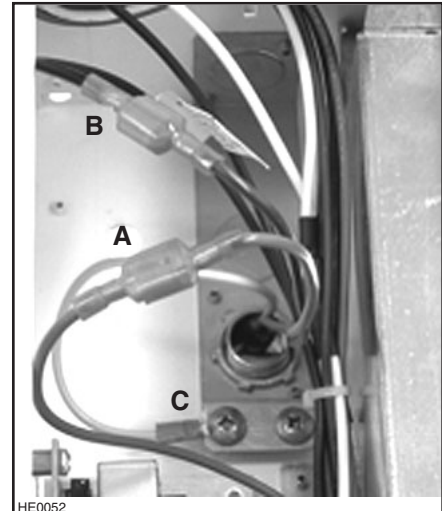


- 5.2 Défoncer 2 ouvertures pré-amorcées pour le branchement électrique (2 sur le dessus ou une sur le dessus et une à l'arrière de la hotte).

- 5.3 Installer un serre-fils au dessus de la hotte pour le cordon électrique (avec prise à trois trous) fourni avec la hotte. À travers le serre-fils, insérer le cordon électrique dans la hotte et serrer le serre-fils pour maintenir le cordon électrique en place.

- 5.4 Brancher le cordon électrique comme suit : fil BLEU avec le connecteur rouge au fil BLEU avec connecteur rouge (A), fil BRUN avec le connecteur rouge au fil NOIR avec connecteur rouge (B), fil VERT sous la vis VERTE de mise à la terre (C).

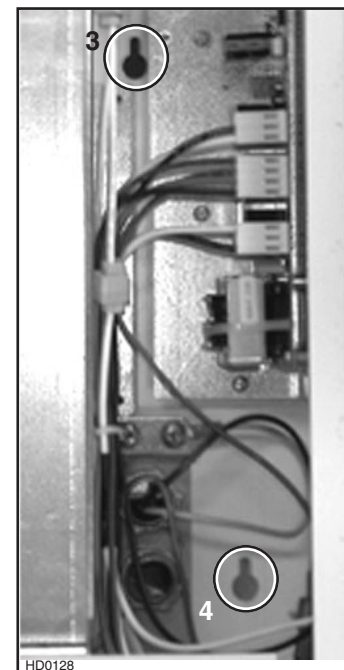
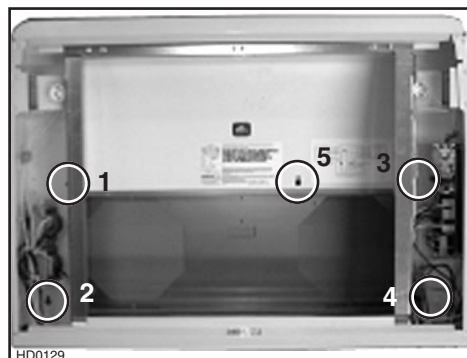
NE PAS OUBLIER DE CONNECTER LA MISE À LA TERRE.



6. INSTALLATION DE LA HOTTE

- 6.1 Passer l'alimentation électrique jusqu'à l'endroit de l'installation. Placer la hotte à son emplacement. À l'aide d'un crayon, marquer la position des vis (petite partie des trous en forme de poire, voir les photos ci-dessous pour la localisation des (5) trous). Enlever la hotte.

- 6.2 Visser (4) vis n° 8 x 1/2 po, en laissant un espace de 1/8 po (ne pas installer tout de suite la vis n° 5).



6. INSTALLATION DE LA HOTTE (SUITE)

- 6.3 Insérer le deuxième serre-fils, passer le cordon d'alimentation électrique dans la hotte et serrer le serre-fils pour maintenir le cordon en place. Placer la hotte sous l'armoire et la glisser en position. Passer le fil électrique (avec prise) de la hotte à travers le trou fait dans le fond de l'armoire. Visser complètement les (4) vis, puis ajouter la dernière vis (vis n° 5) dans le trou en forme de poire du centre.

7. PRÉPARATION DU VENTILATEUR

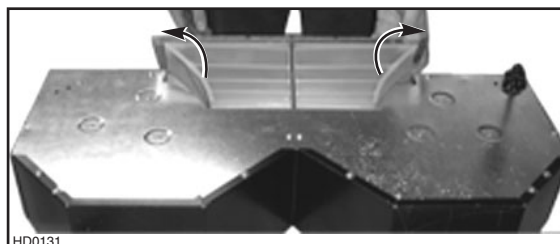
7.1 ÉVACUATION VERTICALE SEULEMENT

- 7.1.1 Sceller la plaque métallique à l'arrière du ventilateur à l'aide du ruban adhésif en toile.

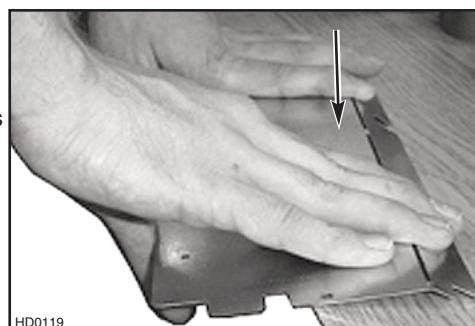


7.2 ÉVACUATION HORIZONTALE SEULEMENT

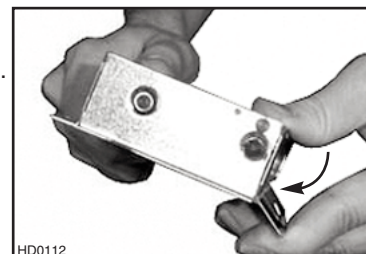
- 7.2.1 Le ventilateur inclus avec la hotte E662 est prémonté en usine pour une évacuation verticale. Si une évacuation horizontale est choisie, dévisser les 3 vis retenant la plaque métallique à l'arrière de la hotte. Mettre de côté les vis. Enlever les déviateurs de plastique de droite et gauche qui y sont rattachés à la plaque. Se défaire des déviateurs.



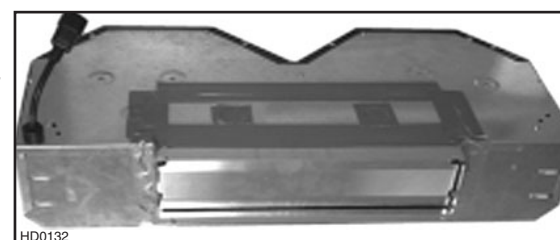
- 7.2.2 Redresser son côté plié en appuyant la plaque métallique sur une surface plane et l'assembler au dessus du ventilateur avec les 3 vis retirées précédemment, plus une autre vis n° 8 x 1/2 po (provenant du sac de pièces)



- 7.2.3 Plier le rebord pliable de façon à ce qu'il se situe à 90° par rapport aux autres. Voir la photo ci-contre.

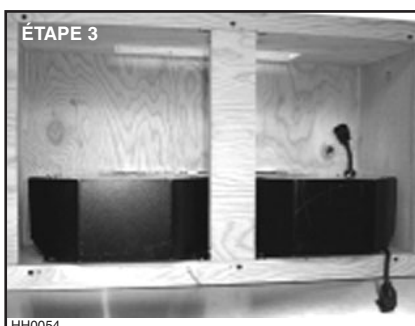
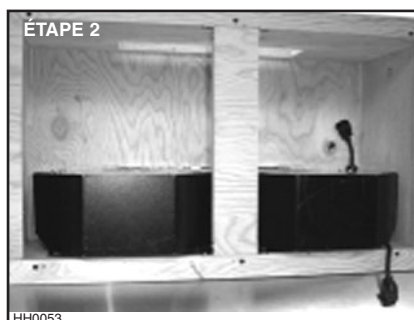
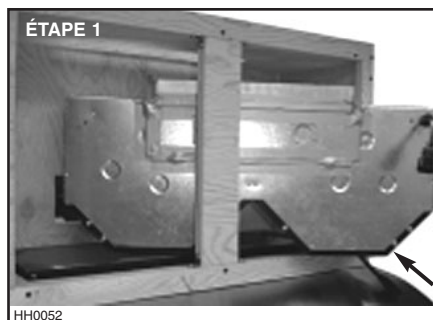


- 7.2.4 À l'aide de (3) vis n° 8 x 1/2 po fournies avec la hotte, assembler l'adaptateur à l'arrière du ventilateur. Retirer le ruban adhésif sur le volet de l'adaptateur. Sceller l'adaptateur et la plaque de métal au ventilateur à l'aide de ruban adhésif en toile.



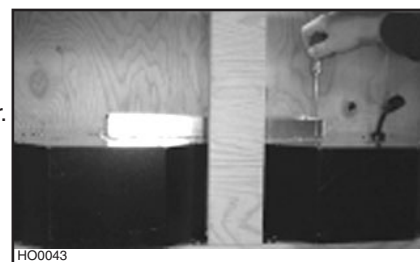
8. INSTALLATION DU VENTILATEUR DANS L'ARMOIRE

- 8.1 Déposer le ventilateur dans l'armoire sur la plaque d'adaptateur. Si l'accès à l'intérieur de l'armoire n'est pas complètement dégagé, insérer le ventilateur de la façon indiquée ci-dessous.



8.2 ÉVACUATION VERTICALE SEULEMENT

- 8.2.1 À l'aide de (4) vis n° 8 x 1/2 po fournies avec la hotte, assembler l'adaptateur sur le dessus du ventilateur. Retirer le ruban adhésif sur le volet de l'adaptateur. Sceller l'adaptateur au ventilateur à l'aide de ruban adhésif en toile.

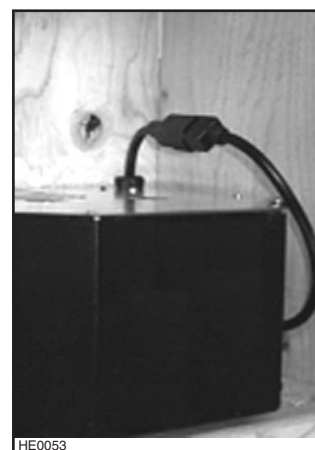


8.3 TOUS LES TYPES D'ÉVACUATION

- 8.3.1 De l'intérieur de la hotte, fixer le ventilateur à la plaque d'adaptateur de la hotte à l'aide de (5) vis n° 8 x 3/8 po.



- 8.3.2 Brancher le fil du ventilateur au fil de la hotte.



8. BRANCHEMENT ÉLECTRIQUE

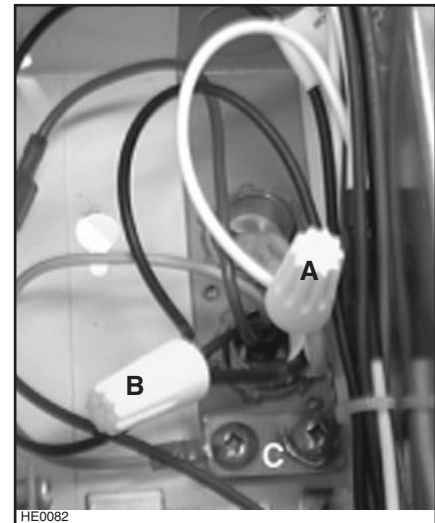
⚠ AVERTISSEMENT

Risque d'électrocution. Le raccordement électrique doit être effectué par du personnel qualifié conformément aux codes et standards. Avant d'effectuer le branchement, coupez l'alimentation électrique au panneau de service et verrouillez-le pour éviter une mise en marche accidentelle.

Connecter les fils à la hotte en utilisant les connecteurs fournis.

Connecter le fil BLANC au BLANC (A), le fil NOIR au NOIR (B) et le fil VERT ou dénudé à la vis VERTE de mise à la terre (C).

NE PAS OUBLIER DE CONNECTER LA MISE À LA TERRE.



10. RÉINSTALLER LA PANNEAUX LATÉRAUX

Réinstaller les 2 panneaux latéraux (3 vis par côté, retirées à l'étape 5), tel qu'illustré ci-contre.

ATTENTION

Retirer le film de plastique protecteur des filtres avant de les installer.



Réinstaller les filtres.

11. LAMPES HALOGÈNES

Cette hotte utilise des ampoules halogènes avec écran de type MR16 GU10, 120 volts, 50W maximum (**non incluses**).

AVERTISSEMENT

Afin d'éviter le risque de blessures corporelles, ne pas installer une ampoule conçue uniquement pour des luminaires fermés.

NOTE : Avant d'installer les lampes halogènes, retirer les anneaux métalliques du panneau inférieur de la hotte.

11.1 Installer les ampoules en glissant leurs conducteurs dans les rainures, à l'intérieur des douilles. Pousser doucement vers le haut et tourner dans le sens des aiguilles d'une montre jusqu'à ce que les ampoules soient bien en place.



11.2 Installer les anneaux métalliques en les poussant doucement vers le haut jusqu'à ce qu'ils soient bien en place.



AVERTISSEMENT

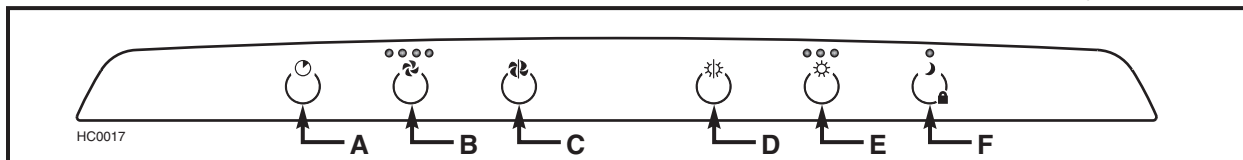
Afin d'éviter le risque de blessures corporelles, attendre que l'ampoule halogène soit refroidie avant de la retirer.

11.3 Pour retirer l'ampoule, pousser doucement vers le haut et tourner dans le sens contraire des aiguilles d'une montre pour désengager les conducteurs hors de leurs rainures.



12. FONCTIONNEMENT

Toujours mettre en marche la hotte avant de commencer la cuisson afin d'établir une circulation d'air dans la cuisine. Aussi, laisser la hotte fonctionner quelques minutes après l'arrêt de la cuisinière afin de nettoyer l'air.



A) Commande à effleurement d'arrêt différé

B) Commande à effleurement de mise en marche / Vitesse du ventilateur

C) Commande à effleurement d'arrêt du ventilateur

D) Commande à effleurement d'arrêt de l'éclairage

E) Commande à effleurement des lampes halogènes

F) Commande à effleurement veilleuse / Clavier verrouillé

A. COMMANDE À EFFLEUREMENT D'ARRÊT DIFFÉRÉ :

Lorsque le ventilateur est en marche, effleurer l'icône pour activer la fonction d'arrêt différé. L'indicateur lumineux de vitesse correspondante commencera à clignoter pour indiquer que la fonction est activée. Effleurer une fois pour un arrêt dans 5 minutes, 2 fois pour un arrêt dans 10 minutes, 3 fois pour un arrêt dans 15 minutes et 4 fois pour un arrêt dans 20 minutes. Le ventilateur continuera de fonctionner pendant le nombre de minutes programmées puis s'arrêtera automatiquement. Pour annuler la fonction d'arrêt différé, attendre 2 secondes et effleurer l'icône une autre fois.

NOTE : Lorsque la fonction d'arrêt différé est activée, la vitesse du ventilateur peut être augmentée - ou diminuée - à l'intérieur du même cycle d'arrêt différé.

B. COMMANDE À EFFLEUREMENT DE MISE EN MARCHÉ / VITESSE DU VENTILATEUR :

Effleurer cet icône pour mettre en marche le ventilateur; il démarrera à la même vitesse qu'il était réglé lors son dernier arrêt. Pour changer la vitesse du ventilateur, effleurer à nouveau l'icône jusqu'à l'obtention de la vitesse désirée.

NOTES : 1. À chaque fois que l'on effleure l'icône, la vitesse change par incréments de 1 (ex. : de la vitesse 1, à 2, à 3 et puis à 4. À partir de la quatrième vitesse, on retourne à la première [1]).

2. La dernière vitesse utilisée est gardée en mémoire. Lorsque l'on active de nouveau le ventilateur, il tourne à la même vitesse que la dernière fois, sauf pour la quatrième vitesse, où dans ce cas, il tournera en troisième vitesse.

HEAT SENTRY

Cette hotte est équipée d'un capteur de température appelé HEAT SENTRY. Ce capteur mettra en marche automatiquement le ventilateur ou augmentera sa vitesse s'il détecte de la chaleur excessive au-dessus de la table de cuisson.

1) Si le ventilateur n'est pas en marche, il met le ventilateur en marche en troisième vitesse.

2) Si le ventilateur est en marche à une vitesse inférieure ou en quatrième vitesse, il met le ventilateur à la troisième vitesse.

Lorsque le Heat Sentry est activé, les indicateurs lumineux de la première et de la dernière vitesse clignotent alternativement. Lorsque la température revient à la normale, la vitesse du ventilateur retourne à sa position originale.

⚠ AVERTISSEMENT

Le HEAT SENTRY peut activer le ventilateur même si la hotte est arrêtée. Dans ce cas, il est impossible d'arrêter le ventilateur avec le bouton d'arrêt du ventilateur. Pour éviter que le ventilateur ne démarre, couper l'alimentation électrique au tableau de distribution principal.

C. COMMANDE À EFFLEUREMENT D'ARRÊT DU VENTILATEUR :

Effleurer cet icône pour arrêter le ventilateur et annuler la fonction d'arrêt différé (si activée).

D. COMMANDE À EFFLEUREMENT D'ARRÊT DE L'ÉCLAIRAGE :

Effleurer cet icône pour éteindre les lumières de la hotte.

E. COMMANDE À EFFLEUREMENT DES LAMPES HALOGÈNES :

Effleurer cet icône pour allumer les lampes halogènes. L'intensité d'éclairage change par incréments de 1 (ex. : Effleurer une fois pour la basse intensité, une autre fois pour un peu plus d'éclairage, une fois encore pour un peu plus, jusqu'à trois). De la plus haute intensité, effleurer une autre fois pour retourner à la plus basse.

NOTE : La dernière intensité lumineuse utilisée est gardée en mémoire. La prochaine fois que l'éclairage sera utilisé, les lampes halogènes éclaireront à cette même intensité.

F. COMMANDE À EFFLEUREMENT VEILLEUSE / CLAVIER VERROUILLÉ :

Effleurer cet icône pour activer l'éclairage en mode veilleuse. Le témoin lumineux s'allumera pour indiquer que ce mode est activé.

Lors du nettoyage de la hotte, utiliser la fonction de verrouillage de clavier. Pour activer cette fonction, effleurer l'icône durant 3 secondes; le témoin lumineux clignotera pour indiquer que la fonction est activée. Pour déverrouiller le clavier, effleurer l'icône durant 3 secondes une autre fois.

NOTES : 1. **Lors du nettoyage de la hotte, ne jamais vaporiser d'agent nettoyant directement sur le clavier; en vaporiser plutôt sur un linge et ensuite, essuyer le clavier. Vaporiser un agent nettoyant directement sur le clavier activera les contrôles.**

2. Lorsque la fonction de verrouillage de clavier est activée, la fonction HEAT SENTRY ne fonctionne pas.

3. S'il survient une panne de courant lorsque le clavier est verrouillé, le clavier demeurera verrouillé lorsque le courant sera rétabli.

13. ENTRETIEN

Filtres et panneaux latéraux.

Les filtres et les panneaux latéraux doivent être nettoyés régulièrement. Utiliser de l'eau chaude additionnée de détergent. Pour retirer les filtres, tirer sur leurs loquets en les poussant vers l'arrière de la hotte et les désengager de celle-ci.

ACIER INOXYDABLE : Comment maintenir son apparence étincelante

À faire :

- Laver régulièrement les surfaces à l'aide d'un chiffon ou linge propre imbibé d'eau tiède et de savon doux ou détergent à vaisselle.
- Toujours nettoyer dans la direction des lignes de grains (direction du polissage).
- Toujours bien rincer avec de l'eau propre (2 ou 3 fois) après le nettoyage et essuyer complètement.
- Un nettoyant domestique conçu spécialement pour l'acier inoxydable peut aussi être utilisé.

À ne pas faire :

- N'utiliser aucune laine d'acier ou d'acier inoxydable ou tout autre grattoir pour enlever la saleté tenace.
- N'utiliser aucune poudre nettoyante abrasive ou rugueuse.
- Ne pas laisser la saleté s'accumuler.
- Ne pas laisser la poussière de plâtre ou tout autre résidu de construction/rénovation atteindre la hotte. Couvrir la hotte pour la durée des travaux pour s'assurer qu'aucune poussière ne colle à la surface de l'acier.

À éviter lors du choix d'un détergent :

- Tous produits nettoyants qui contiennent des **agents de blanchiment**; ils attaqueront l'acier inoxydable.
- Tous produits contenant du **chlorure, fluorure, iode** ou **bromure**; ils détérioreront rapidement les surfaces.
- Tous **produits combustibles** utilisés pour le nettoyage : **acétone, alcool, éther, benzène**, etc.; ils sont hautement explosifs et ne devraient jamais être utilisés près d'une cuisinière.

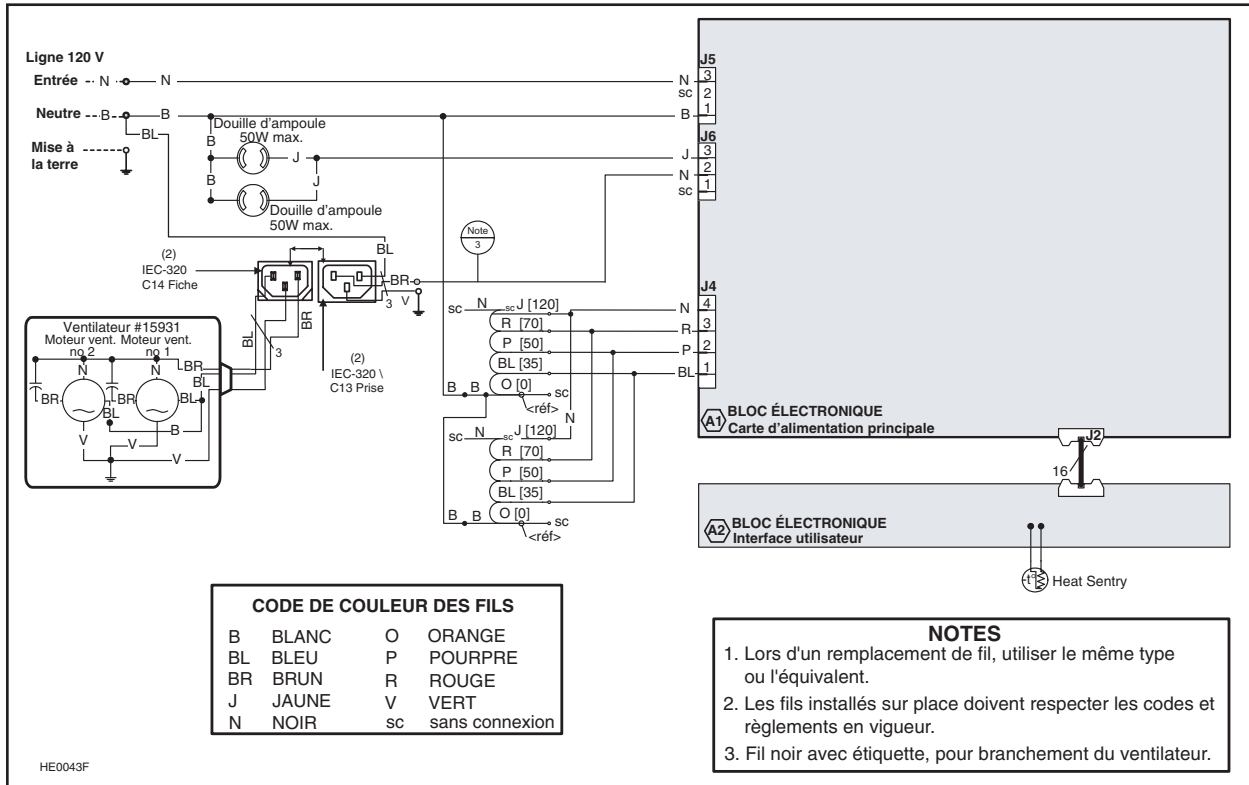
SURFACES PEINTES :

Nettoyer avec de l'eau chaude additionnée de détergent doux seulement. S'il y a décoloration, utiliser une bonne cire à peinture telle qu'une cire automobile. (Ne PAS utiliser de nettoyant abrasif ou de nettoyant à porcelaine).

14. SCHÉMA ÉLECTRIQUE

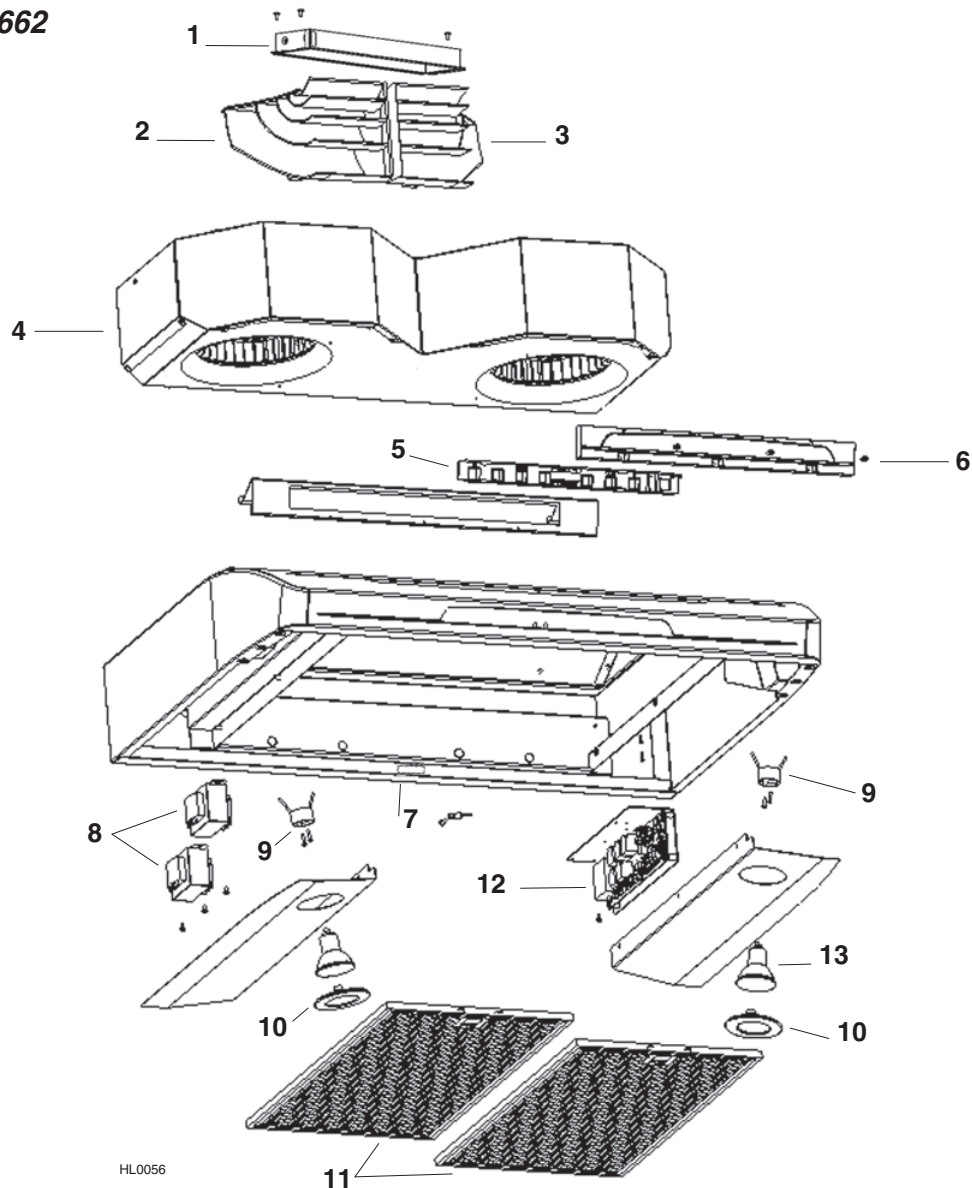
⚠ AVERTISSEMENT

Risque d'électrocution. Le raccordement électrique doit être effectué par du personnel qualifié conformément aux codes et standards. Avant d'effectuer le branchement, coupez l'alimentation électrique au tableau de distribution principal et verrouillez-le pour éviter une mise en marche



15. PIÈCES DE REMPLACEMENT

MODÈLE E662



HL0056

RÉF. n°	NUMÉRO DE PIÈCE	DESCRIPTION	LARGEURS		
			30 po	36 po	42 po
1	V14971	ADAPTATEUR	1	1	1
2	V06242	DÉVIATEUR GAUCHE	1	1	1
3	V06243	DÉVIATEUR DROIT	1	1	1
4	V15931	VENTILATEUR	1	1	1
5	V06263	CARTE DU CLAVIER	1	1	1
6	V06262	CLAVIER	1	1	1
7	V06750	LOGO BROAN ELITE	1	1	1
8	V06741	KIT HARNAIS ET TRANSFORMATEUR	1	1	1
9	V05917	DOUILLE D'AMPOULE	2	2	2
10	V06268	ANNEAU	2	2	2
11	V06265	FILTRES 9.922 po X 17.981 po	2	-	3
	V06266	FILTRES 12.922 po X 17.981 po	-	2	-
12	V06733-2	UNITÉ DE CONTRÔLE PRINCIPALE	1	1	1
13	V05921	LAMPE HALOGÈNE 50W, 120V, GU-10	2	2	2
*	V06734	HARNAIS BASSE TENSION	1	-	-
*	V06745	HARNAIS BASSE TENSION	-	1	-
*	V06746	HARNAIS BASSE TENSION	-	-	1
*	V06776	CORDON DU VENTILATEUR	1	1	1
*	V06784	CORDON DE LA HOTTE	1	1	1
*	V06800	GUIDE D'INSTALLATION	1	1	1
*	V06752	SAC DE PIÈCES (2) serre-fils, (3) connecteurs, ((5) vis n° 8 x 1/2 po, (9) vis n° 8 x 3/8 po)	1	1	1

* Non illustré.

16. GARANTIE

GARANTIE

GARANTIE LIMITÉE D'UN AN DE BROAN-NUTONE LLC

Broan-NuTone LLC garantit à l'acheteur consommateur initial de ses produits qu'ils sont exempts de tous défauts dans les matières premières ou la main-d'oeuvre, pour une période d'un an à compter de la date d'achat par le consommateur initial. IL N'Y A PAS D'AUTRES GARANTIES, EXPRIMÉES OU IMPLICITES, INCLUANT, MAIS NON LIMITÉES AUX GARANTIES IMPLICITES POUR FIN DE COMMERCIALISATION ET DE CONVENANCE DANS UN BUT PARTICULIER.

Durant cette période d'un an, Broan-Nu Tone LLC, à sa discrétion, réparera ou remplacera gratuitement, tout produit ou pièce qui s'avère défectueux et ayant été utilisé normalement et d'une manière non abusive.

Cette garantie ne couvre pas (a) l'entretien ou le service normal ou (b) tout produit ou pièce endommagé par suite de mauvais usage, négligence, accident, entretien inapproprié ou réparation (autre que par Broan-Nu Tone LLC), mauvaise installation ou installation non conforme au mode d'installation recommandé.

La durée de toute garantie implicite est limitée à une période d'un an tel que spécifiée pour la garantie exprimée. Certains états ou provinces ne permettent pas de limite de temps sur les garanties implicites. Si tel est le cas, veuillez ne pas tenir compte de la dernière limite décrite ci-dessus.

L'ENGAGEMENT DE BROAN-NUTONE LLC DE RÉPARER OU DE REMPLACER, AU CHOIX DE BROAN-NUTONE LLC, SERA LA SEULE OBLIGATION EXCLUSIVE SOUS CETTE GARANTIE. BROAN-NUTONE LLC NE SE TIENDRA PAS RESPONSABLE DES DOMMAGES DIRECTS, INDIRECTS OU SPÉCIAUX SURVENANT À CAUSE DE OU EN RAPPORT À L'UTILISATION OU LA PERFORMANCE DE SES PRODUITS. Certains états ou provinces ne permettent pas l'exclusion ou la limite relative aux dommages directs, indirects ou spéciaux. Si tel est le cas, veuillez ne pas tenir compte de l'exclusion ou de la limite ci-dessus.

Cette garantie vous donne des droits légaux spécifiques et il se peut que vous ayez d'autres droits qui varient d'un état ou d'une province à l'autre. Cette garantie annule toutes les autres garanties précédentes.

Pour le service sous garantie, vous devez (a) viser Broan-Nu Tone LLC à l'adresse ou numéro de téléphone mentionnés plus bas, (b) donner le numéros du modèle et l'identification de la pièce et (c) décrire la nature de tout défaut dans le produit ou la pièce. Au moment de la demande de service sous garantie, vous devez présenter une preuve de la date d'achat initial du dit produit.

Broan-NuTone LLC, 926 West State Street, Hartford, WI 53027 (1-800-637-1453)

NuTone Inc., 4820 Red Bank Road, Cincinnati, OH 45227 (1-800-543-8687)

Broan-NuTone Canada Inc., 1140 Tristar Drive, Mississauga, ON L5T 1H9 (1-888-882-7626)

INSTRUCCIONES DE INSTALACIÓN

BROAN® *Elite*



MODELO E662

⚠ EXCLUSIVAMENTE PARA COCINAS DOMÉSTICAS ⚠

LEA ESTAS INSTRUCCIONES Y GUÁRDELAS

INSTALADOR: ENTREGUE ESTE MANUAL AL PROPIETARIO DE LA CASA.
PROPIETARIO: INFORMACIÓN SOBRE UTILIZACIÓN Y CUIDADO EN LA
PÁGINAS 42.

Broan-NuTone LLC, 926 West State Street, Hartford, WI 53027 (1-800-637-1453)

NuTone Inc., 4820 Red Bank Road, Cincinnati, OH 45227 (1-800-543-8687)

Broan-NuTone Canada Inc., 1140 Tristar Drive, Mississauga, ON L5T 1H9 (1-888-882-7626)

REGISTRE SU PRODUCTO EN LÍNEA EN: www.broan.com/register

V06800 rev. E

ADVERTENCIA

PARA REDUCIR EL RIESGO DE INCENDIO, DESCARGA ELÉCTRICA, O LESIÓN CORPORAL, RESPETE LAS SIGUIENTE INDICACIONES:

1. Utilice esta unidad únicamente de la forma en que indica el fabricante. Si tiene cualquier pregunta, póngase en contacto con el fabricante en la dirección o el teléfono que aparecen en la garantía.
2. Antes de reparar o limpiar el aparato, apáguelo en el tablero de servicio y bloquee los medios de desconexión para impedir que la corriente se conecte accidentalmente. Cuando no se pueda bloquear los medios de desconexión, coloque un dispositivo de advertencia visible (como una tarjeta) en el tablero de servicio.
3. La instalación y la conexión eléctrica deben ser realizadas por personal competente de acuerdo con todos los códigos y las normas aplicables, incluso los relativos a la construcción ignífuga.
4. Para lograr una combustión adecuada y una extracción correcta de los gases a través de la salida del humo (chimenea) del equipo quemador de combustible - evitando así el contratiro - es necesario disponer de aire suficiente. Siga las directrices del fabricante del equipo de material térmico y las normas de seguridad, como las que publica la NFPA (asociación de protección contra los incendios), y la ASHRAE (sociedad estadounidense de técnicos de calefacción, refrigeración y aire acondicionado), así como los códigos de los organismos responsables locales.
5. Al cortar o perforar la pared o el techo, procure no dañar el cableado eléctrico ni otras instalaciones ocultas.
6. Los ventiladores entubados deben tener salida siempre al exterior.
7. No utilice este aparato con ningún otro dispositivo de control de velocidad con semiconductores.
8. Para reducir el riesgo de incendio, utilice sólo tuberías metálicas.
9. Este aparato debe conectarse a tierra.

PARA REDUCIR EL RIESGO DE QUE ARDA LA GRASA EN LA PARTE SUPERIOR DE LA COCINA:

- a) No deje nunca recipientes de cocina a fuego vivo sin vigilancia. Los desbordamientos producen humo y derrames grasiosos que pueden inflamarse. Caliente el aceite despacio, a fuego lento o mediano.
- b) Ponga en marcha siempre la campana extractora al cocinar a temperaturas elevadas o al cocinar alimentos flameados.
- c) Limpie los ventiladores con frecuencia. No deje que la grasa se acumule en el ventilador ni en el filtro.
- d) Utilice cacerolas de tamaño apropiado. Emplee siempre un recipiente adecuado para el tamaño de la placa.

ADVERTENCIA

PARA REDUCIR EL RIESGO DE LESIONES CORPORALES EN EL CASO DE QUE ARDA LA GRASA EN LA PARTE SUPERIOR DE LA COCINA, SIGA ESTAS INDICACIONES*:

1. SOFOQUE LAS LLAMAS con una tapa ajustada, una hoja o bandeja metálica para hornear galletas, y apague luego el quemador. **TENGA CUIDADO PARA EVITAR QUEMADURAS. SI LA LLAMAS NO SE APAGAN INMEDIATAMENTE, EVACUE EL LUGAR Y LLAME A LOS BOMBEROS.**
2. **NO SUJETE NUNCA UNA SARTÉN EN LLAMAS** – Ya que podría quemarse.
3. **NO USE AGUA**, ni trapos húmedos - Pódria causar una violenta explosión de vapor.
4. Utilice un extintor **SOLAMENTE** si:
 - A. Tiene un extintor de tipo ABC y sabe usarlo.
 - B. El incendio es pequeño y está restringido a la zona donde empezó.
 - C. Ya ha llamado a los bomberos.
 - D. Puede tratar de apagar el fuego si dispone siempre de una salida detrás de usted.

* Fuente: "Kitchen Fire Safety Tips" publicado por la (NFPA).

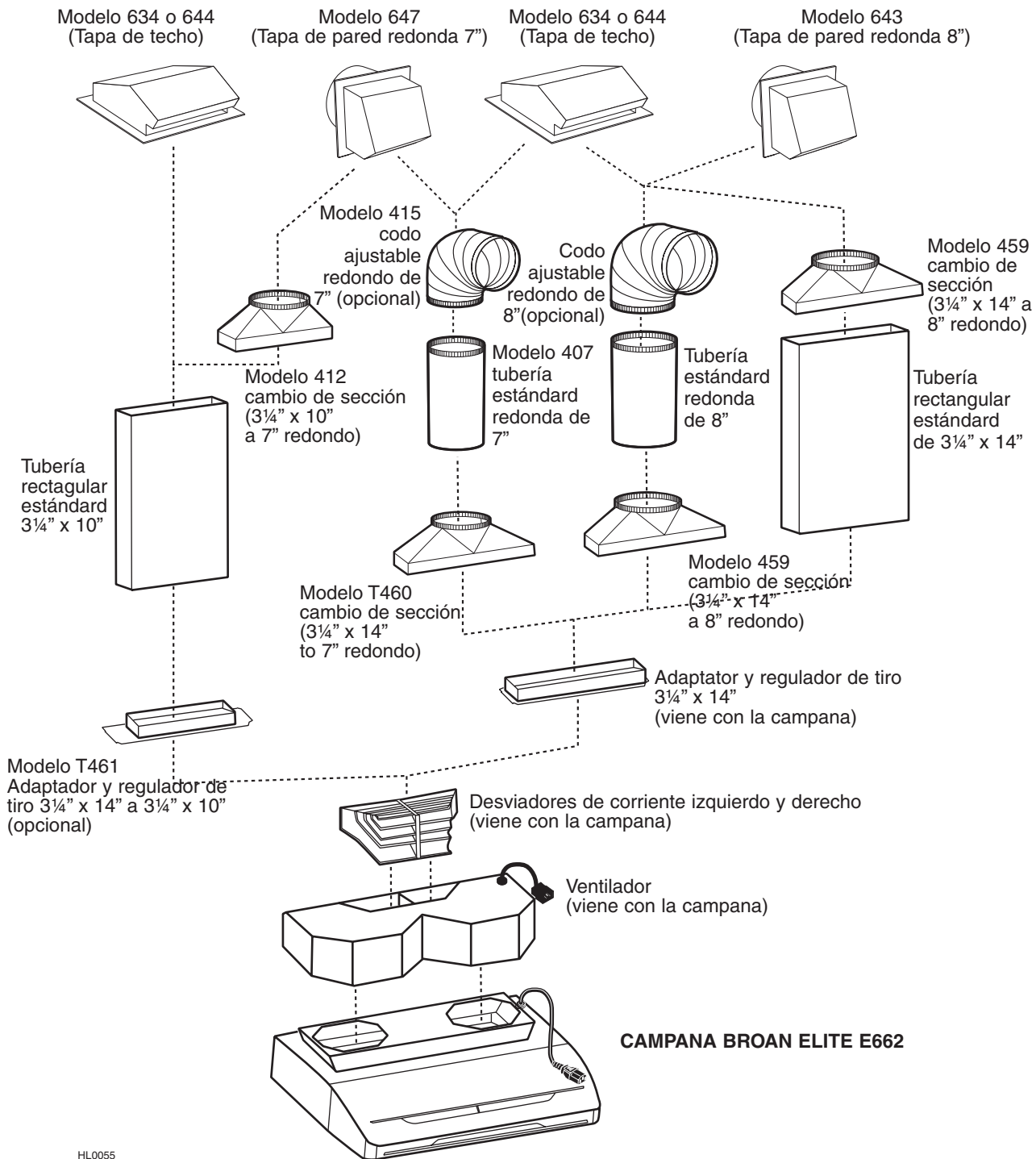
PRECAUCIÓN

1. Sólo para ventilación general. No debe utilizarse para extraer materiales o vapores peligrosos o explosivos.
2. Para evitar daños en el cojinete del motor y que las hélice haga ruido o se desequilibre, mantenga la unidad de alimentación lejos de los vaporizadores de pirca, del polvo de la construcción, etc.
3. Los motores de la campana tienen un dispositivo contra sobrecargas térmicas que apaga los motores automáticamente si son se sobre calientas. Los motores volverá a ponerse en marcha cuando se enfríe. Si los motore siguen apagándose, haga examina la campana.
4. La distancia mínima entre la campana y la superficie de la cocina no debe ser inferior a 24 pulgadas. Se aconseja encarecidamente una distancia máxima de 30 pulgadas para que la campana capte mejor las impurezas que se desprenden al cocinar.
5. Dada el peso y el tamaño de esta campana, se aconseja que la instalen dos personas.
6. Para reducir los riesgos de incendio y extraer el aire debidamente, el aire debe evacuarse fuera – No extraiga el aire en espacios situados entre las paredes en el techo o en el desván, falso techo o garaje.
7. Este producto está equipado con un termostato que puede poner en marcha el ventilador automáticamente. Para reducir el riesgo de que se produzcan daños y evitar poner en marcha la alimentación accidentalmente, apague la corriente en el tablero de servicio, bloquee este tablero o ponga una etiqueta de advertencia.
8. Dada la gran capacidad extractora de esta campana, debería asegurarse de que en la casa entra suficiente aire para sustituir el aire extraído. Abra para ello una ventana o cerca de ella.
9. Utilícese sólo con un conjunto autorizado de conexión con cordón.
10. Para mayor información y conocer los requisitos, lea la etiqueta con las especificaciones en el producto.

ÍNDICE

SISTEMA DE CAMPANA BROAN ELITE E662	33
1. INSTALACIÓN DE LA TUBERÍA	34
2. PREPARE LA INSTALACIÓN	34
3. PREPARACIÓN DEL ARMARIO	35
4. CORTE DE LOS AGUJEROS	35
5. PREPARACIÓN DE LA CAMPANA	36
6. INSTALACIÓN DE LA CAMPANA	36
7. PREPARACIÓN DEL VENTILADOR	37
8. INSTALACIÓN DEL VENTILADOR EN DEL ARMOARIO	38
9. CONEXIÓN DEL CABLEADO	39
10. REINSTALAR LOS TABLEROS LATERALES	39
11. BOMBILLAS	40
12. FUNCIONAMIENTO	41
13. UTILIZACIÓN Y CUIDADO	42
14. DIAGRAMA ELÉCTRICO	43
15. PIEZAS	44
16. GARANTÍA	45

SISTEMA DE CAMPANA BROAN ELITE E662



HL0055

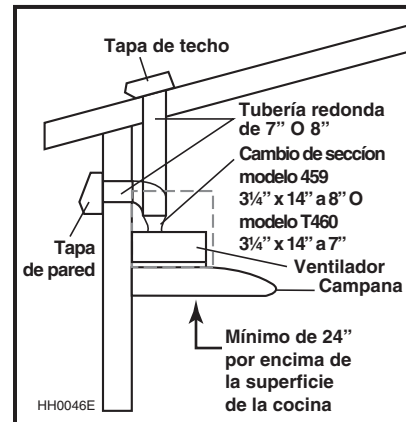
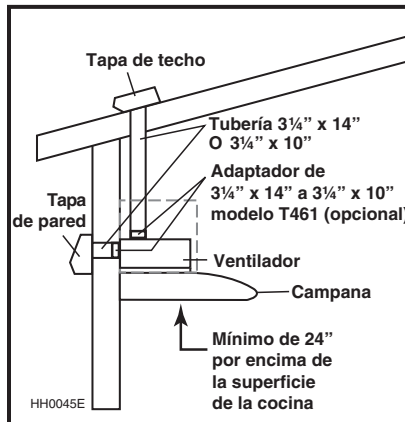
1. INSTALACIÓN DE LA TUBERÍA

Planifique el lugar y la forma en que se instalará la tubería. Instale una tubería, codos y tapas de tamaños adecuados. Utilice cinta para tubos de 2 pulgadas para obturar las juntas de los tubos.

NOTA: Al preparar una tubería vertical de extracción, ha de haber al menos una altura libre de 14" dentro del armario para que pueda instalarse el ventilador.

La distancia mínima entre la campana y la superficie de la cocina no debe ser inferior a 24 pulgadas. Se aconseja encarecidamente una distancia máxima de 30 pulgadas para que la campana capte mejor las impurezas que se desprenden al cocinar.

Las distancias superiores a 30 pulgadas son a discreción del instalador o del usuario.



2. PREPARACIÓN DE LA INSTALACIÓN

Compruebe que el aparato viene con los elementos siguientes:

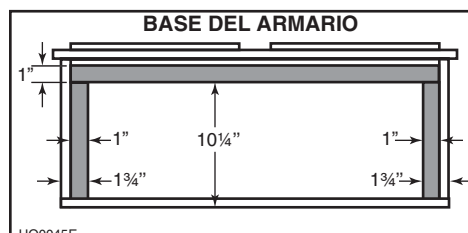
- Campana
- Accesorios:
 - Filtros (2 para las campanas de 30" y 36" de ancho; 3 para la campana de 42" de ancho)
 - Ventilador de armario con los desviadores izquierdo y derecho (assembledo al ventilador)
 - Cable eléctrico con enchufe de 3 patillas (en una tapa blanca que protegida la campana)
 - Adaptador 3/4" x 14" (en una tapa blanca que protegida la campana)
 - Bolsa con piezas (en un tapa blanca que protegida la campana), que comprende:
 - (2) abrazadera de cable, (5) tornillos n.º 8 x 1/2, conectores de hilos y (9) tornillos n.º 8 x 3/8".

Piezas vendida aparte:

- Luces halógenas (MR16, GU10, 120V, 50W)
- Cambio de sección de 3/4" x 14" a 8" redondo, modelo n.º 459 (opcional), cambio de sección de 3/4" x 14" a 7" redondo, modelo n.º T460 (opcional), adaptador 3/4" x 14" a 3/4" x 10" modelo n.º T461 (opcional), tuberías, codos, reguladores de tiro, tapas de pared o de techo. Consulte la página 33 para una lista completa de opciones de ventilación y números de modelo.

NOTAS: 1. Proteja la encimera y la parte superior de la cocina durante la instalación.

2. Si la parte inferior del armario está empotrada, instale 3 tiras de madera de 1" de ancho (no incluidas), para llenar el espacio. Consulte la imagen de al lado para instalar adecuadamente las tiras de madera.



3. PREPARACIÓN DEL ARMARIO

⚠ ADVERTENCIA

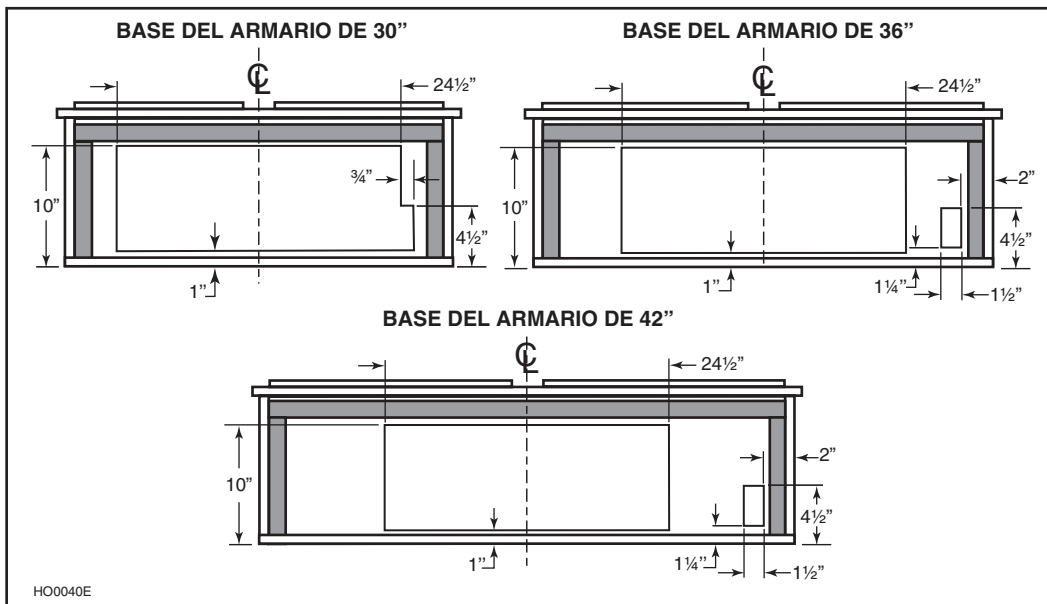
El armario deber soportar el peso total de la campana. En el caso del modelo E662, peso total es de 41 libras (19 kg).

Si ha de reforzarse el armario, sugerimos que se añadan bloques de madera para fortalecer la conexión entre la base del armario y los lados, como puede verse en la imagen de al lado.



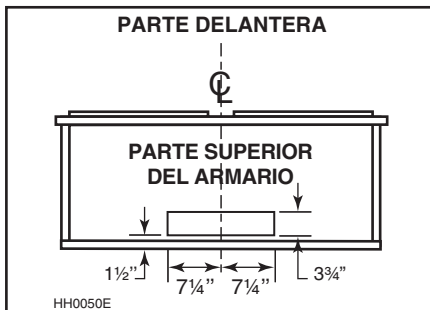
4. CORTE DE LOS AGUJEROS

Consulte las ilustracións de abajo para conocer las dimensiones de los cortes en la base del armario.

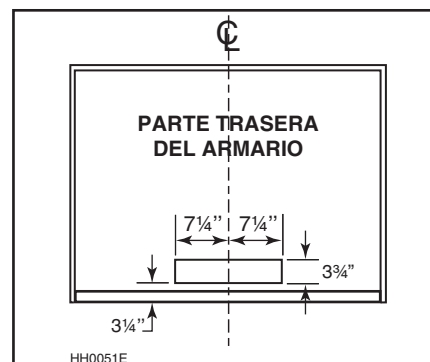


Véanse las figuras de abajo para conocer dónde ubicar los cortes para las tuberías.

EVACUACIÓN VERTICAL



EVACUACIÓN HORIZONTAL



5. PREPARACIÓN DE LA CAMPANA

- 5.1 Saque los filtros de la campana. Retire los 3 tornillos que sujetan los tableros laterales a la campana y póngalos a un lado.

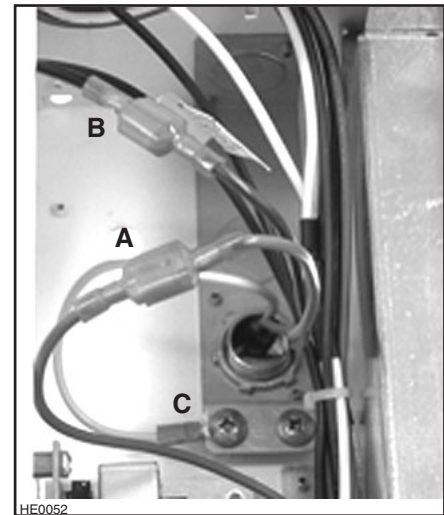


- 5.2 Perfore 2 agujeros prepunzonados para las conexiones eléctricas (2 en la parte superior o 1 en la parte superior y 1 en la parte trasera de la campana).

- 5.3 Instale 1 abrazadera en la parte superior de la campana para el cable con enchufe de 3 patillas que viene con la campana. A través de la abrazadera, introduzca el cable en la campana y apriete la abrazadera para sujetar el cable.

- 5.4 Conecte los hilos de la siguiente manera: AZUL con conector rojo con AZUL con conector rojo (A), MARRÓN con conector rojo con NEGRO con conector rojo (B), y VERDE en el tornillo VERDE de tierra (C).

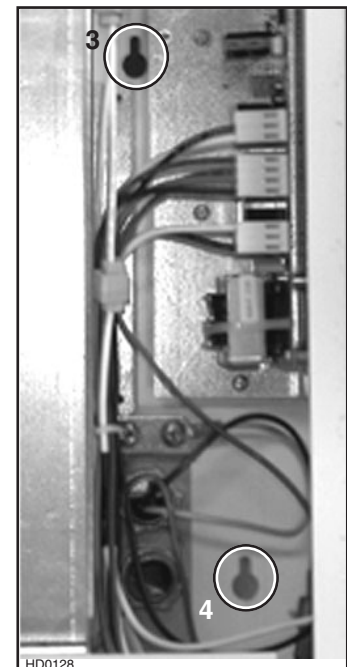
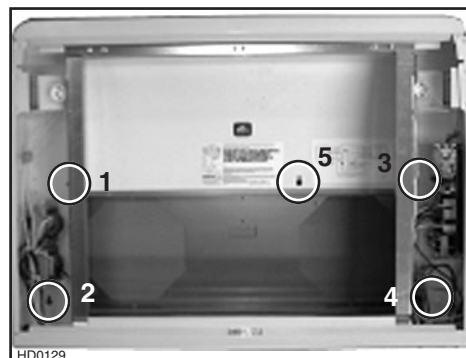
NO OLVIDE CONECTAR LA TIERRA.



6. INSTALACIÓN DE LA CAMPANA

- 6.1 Lleve el cable de alimentación hasta el lugar de la instalación. Coloque la campana en su lugar. Marque con un lápiz el lugar de los tornillos (parte más pequeña de los agujeros, véanse las fotos de abajo para los (5) agujeros). Saque la campana.

- 6.2 Instale (4) tornillos n.º 8 de 1/2" dejando un espacio de 1/8" (no instale enseguida el tornillo n.º 5)



6. INSTALACIÓN DE LA CAMPANA (CONTINUACIÓN)

6.3 Instale el segundo abrazadera. A través de la abrazadera, introduzca el cable en la campana y apriete la abrazadera para sujetar el cable. Coloque el campana debajo elarmario en su lugar correspondiente. Coloque el cable eléctrico (con enchufa) de la campana a través des agujero en el base del armario. Sujete la campana apretando los (4) tornillos completamente, luego añadir el último tornillo (tornillo n.º5) en el último agujero del centro.

7. PREPATACIÓN DEL VENTLADOR

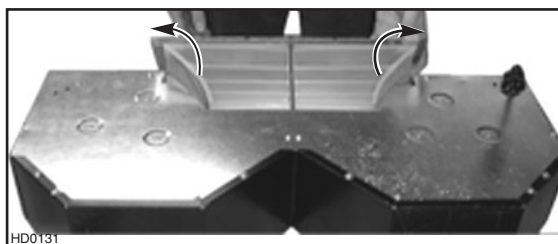
7.1 SÓLO PAR EVACUACIÓN VERTICAL

7.1.1 Pegue la placa metálica en la parte trasera del ventilador de armario con cinta para tubos.

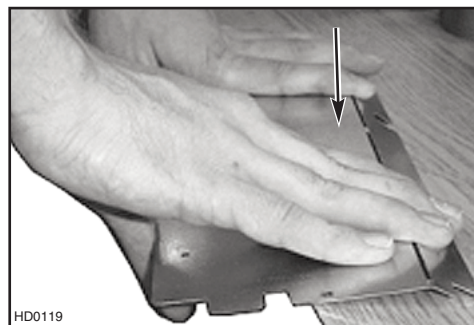


7.2 SÓLO PAR EVACUACIÓN HORIZONTAL

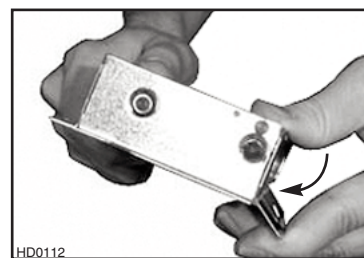
7.2.1 El ventilador de armario que viene con el modelo E662 ya ha sido configurado en la fábrica para evacuar verticalmente. Si se elige la evacuación horizontal, retire los 3 tornillos que tienen la placa metálica en la parte trasera del ventilador. Reserve los tornillos. Retire la placa metálica para tener acceso a los desviadores izquierdo y derecho. Deseche los desviadores.



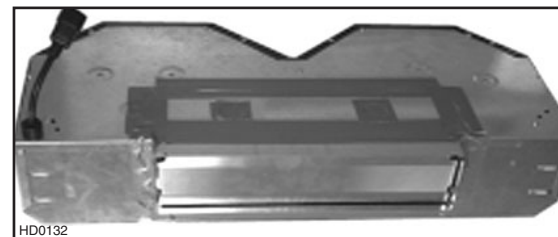
7.2.2 Presione hacia abajo en la placa metálica hasta que quede totalmente plana e instálela en la parte superior del ventilador con su 3 tornillos, más un otro tornillo n.º 8 x 1/2" (que viene de la bolsa de piezas).



7.2.3 Despliegue el reborde desplegable des adaptor. Este reborde debe estar a 90° de los otros rebordes. Véase la foto de al lado.

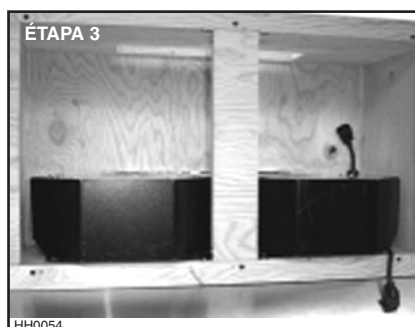
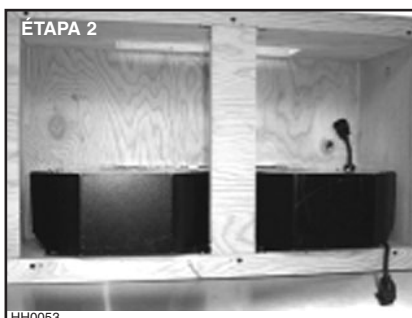
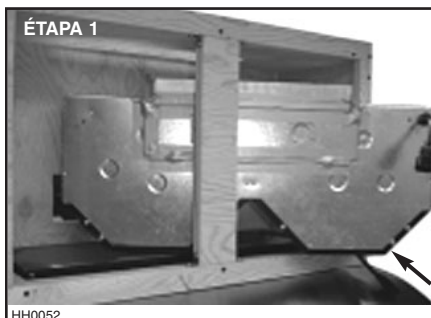


7.2.4 Utilice los (3) tornillos n.º 8 x 1/2" (que vienen con la campana para sujetar el adaptador a la parte trasera del ventilador de armario. Retire la cinta de la aleta des regulador de tiro. Pegue el adaptador y la placa metálica con cinta para tubos.



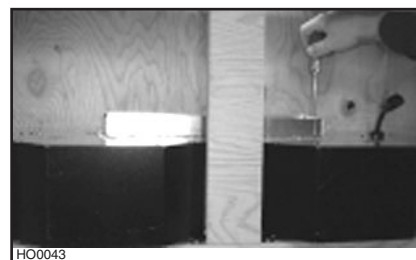
8. INSTALACIÓN DEL VENTILADOR EN EL ARMARIO

- 8.1 Instale el ventilador de armario en el armario depositándolo sobre la placa del adaptador. Si el armario tiene un marco, introduzca el ventilador como se muestra en las fotos de abajo.



8.2 SÓLO PAR EVACUACIÓN VERTICAL

- 8.2.1 Utilice los (4) tornillos n.º 8 x 1/2" que vienen con la campana para sujetar el adaptador a la parte superior del ventilador de armario. Retire la cinta de la aleta del regulador de tiro. Pegue el adaptador y la placa metálica en el ventilador de armario con cinta para tubos.

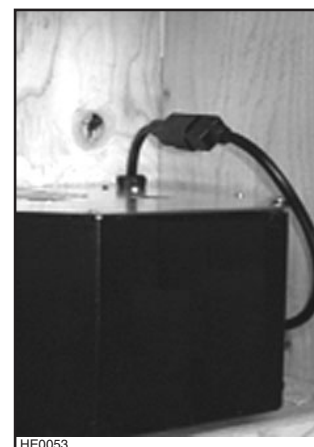


8.3 TODO TIPO DE EVACUACIÓN

- 8.3.1 Sujete desde dentro de la campana el ventilador a la placa del adaptador de la campana. Utilice (5) tornillos n.º 8 x 3/8" que vienen con la campana.



- 8.3.2 Enchufe el ventilador de armario a la campana.



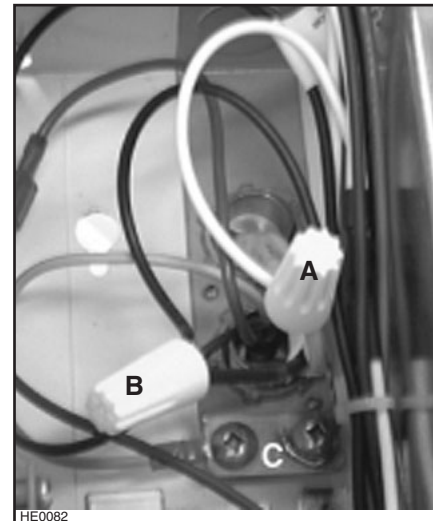
9. CONEXIÓN DEL CABLEADO

ADVERTENCIA

Riesgo de choque eléctrico. La conexión eléctrica debe hacerla personal competente con arreglo a los códigos y normas en vigor. Antes de conectar los hilos, corte la alimentación en el tablero de servicio y bloquee los medios de desconexión para impedir que la corriente se conecte accidentalmente.

Conecte el cable con los conectores de hilos provistos.

Conecte los hilos de la siguiente manera: BLANCO con BLANCOS (A), NEGRO con NEGRO (B), y VERDE o hilos DESNUDO debajo el tornillo VERDE de tierra (C). **NO OLVIDE CONECTAR LA TIERRA.**



10. REINSTALE LOS TABLEROS LATERALES

Reinstale los 2 tableros laterales, (3 tornillos por lado, de la etapa 5) como se ve en la foto de al lado.

PRECAUCIÓN

Retire la película protectora de plástico que cubre los filtros antes de instalarlos.



Instale los filtros a continuación.

11. BOMBILLAS

Esta campana debe utilizar bombillas halógenas protegidas de tipo MR16 GU10, 120 voltios, 50W máximo (que se compran aparte).

ADVERTANCIA

Para evitar el riesgo de lesiones corporales, no instale una lámpara concebida sólo para portalámparas encastrados.

NOTA: Antes de instalar las lámparas halógenas hay que quitar los anillos del tablero inferior.

11.1 Instale las bombillas colocándolas en las roscas des casquillo. Apriete suavemente hacia arriba y gire en el sentido de las agujas del reloj hasta que la bombilla quede bien sujeta.



11.2 Instale los anillos metálicos presionando hacia arriba.



ADVERTANCIA

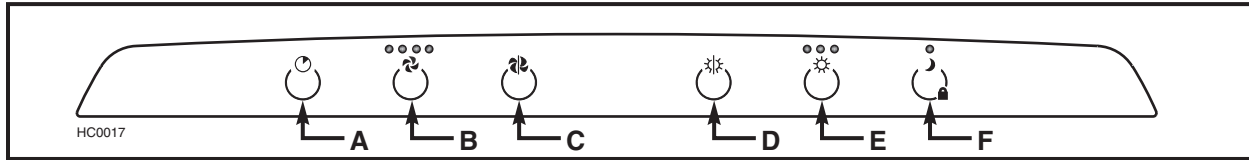
Para evitar el riesgo de lesiones corporales, esperar que la bombilla halógena esta enfriada antes de la retirar.

13.3 Para retirar la bombilla, apriete suavemente hacia arriba y gire en el sentido contrario de las agujas del reloj para soltar la bombilla de fuera de las roscas de casquillo.



12. FUNCIONAMIENTO

Ponga en marcha siempre el ventilador antes de empezar a cocinar para generar una corriente de aire en la cocina. Deje en marcha el ventilador durante unos minutos para renovar el aire una vez que haya apagado la cocina.



A) Interruptor de retardo del ventilador

B) Interruptor de Encendido / Control de velocidad del ventilador

C) Interruptor de apagado del ventilador

D) Interruptor de apagado de la luz

E) Interruptor de luz halógena

F) Interruptor de luz de noche / Bloqueo del teclado

A. INTERRUPTOR DEL RETARDO DEL VENTILADOR:

Cuando se selecciona una velocidad, roza este interruptor para activar la función de retardo. El diodo indicador de velocidad correspondiente empezará a parpadear para indicar que esta función está activada. Roza una vez por que el ventilador seguirá funcionando 5 minutos, 2 veces por 10 minutos, 3 veces por 15 minutos y 4 veces por 20 minutos. El ventilador seguirá funcionando durante los minutos programados y se detendrá automáticamente. Para cancelar la función de retardo, esperar 2 segundos y roza de nuevo el interruptor de retardo del ventilador; el ventilador funcionará en modo normal.

NOTA: La velocidad del ventilador puede aumentarse o disminuirse cuando se está en modo retardo sin tener que empezar otro ciclo de minutos.

B. INTERRUPTOR DE ENCENDIDO / CONTROL DE VELOCIDAD DEL VENTILADOR:

Roza este interruptor para poner en marcha el ventilador en la última velocidad que se seleccionó. Para cambiar la velocidad del ventilador, pulse de nuevo el interruptor hasta lograr la velocidad deseada.

NOTAS: 1. Cada vez que presione en el control de velocidad del ventilador, la velocidad aumenta 1 nivel (p. ej., velocidad 1 a velocidad 2, velocidad 2 a velocidad 3 y así sucesivamente hasta la velocidad 4. De la velocidad 4 se pasa a la velocidad 1).

2. La última velocidad seleccionada se guarda en la memoria. No ocurre así con la carta velocidad, de manera que la próxima vez que se encienda el ventilador, funcionará en la velocidad 3.

HEAT SENTRY

Esta campana está equipada con un termostato HEAT SENTRY. Se trata de un dispositivo que pone en marcha el ventilador o lo acelera al detectar un calor excesivo sobre la superficie de la cocina.

1) Si el ventilador está apagado, lo pondrá en marcha a la velocidad 3.

2) Si el ventilador está encendido, lo pondrá a la velocidad 3.

Cuando el termostato HEAT SENTRY está activado, el primero y el último diodo de velocidad del ventilador parpadearán alternativamente. Cuando la temperatura baja al nivel normal, el ventilador vuelve a su configuración original.

⚠ ADVERTANCIA

El termostato HEAT SENTRY puede poner en marcha el ventilador aunque la campana esté apagada. En este caso, resulta imposible apagar el ventilador con el interruptor del ventilador. Si tiene que apagar el ventilador, hágalo en el tablero eléctrico principal.

C. INTERRUPTOR DE APAGADO DEL VENTILADOR:

Roza este interruptor para apagar el ventilador y anular la función de retardo (si está activada).

D. INTERRUPTOR DE APAGADO DE LA LUZ:

Roza este interruptor para apagar la luz.

E. INTERRUPTOR DE LUZ HALÓGENA:

Roza este interruptor para encender las lámparas halógenas. La intensidad de la luz cambia de nivel en nivel (p. ej., roza una vez para baja intensidad, roza de nuevo para mayor intensidad y así hasta tres veces). Una vez en la mayor intensidad, al presionar se vuelve a la intensidad más baja.

NOTA: La última intensidad utilizada se guarda en la memoria de modo que la próxima vez que se encienda la luz tendrá dicha intensidad.

F. INTERRUPTOR DE LUZ DE NOCHE / BLOQUEO DEL TECLADO:

Roza este interruptor para activar la luz de noche. El diodo se encenderá para indicar que la luz de noche está encendida. Utilice la función de bloqueo del teclado cuando limpie la campana. Para activar el bloqueo del teclado, pulse este interruptor durante 3 segundos: el diodo parpadeará para indicar que el bloqueo del teclado está activado. Pulse de nuevo el interruptor durante 3 segundos para desactivar el bloqueo del teclado.

NOTAS: 1. **Cuando limpie la campana, no vaporizar nunca producto de limpieza directamente en el teclado; en vaporizar más bien en un trapo y a continuación, secar el teclado. Vaporizar un producto de limpieza directamente en el teclado activará los controles.**

2. Cuando el bloqueo del teclado está activado, el dispositivo HEAT SENTRY está desactivado.

3. Si se produce un corte temporal de la corriente cuando el bloqueo del teclado está activado, al volver la corriente el bloqueo seguirá activado.

13. UTILIZACIÓN Y CUIDADO

Filtros de grasa y tableros laterales inferiores.

Los filtros de grasa y tableros laterales inferiores deben limpiarse con frecuencia. Utilice una disolución de detergente con agua templada. Retire los filtros empujados hacia parte trasera de la campana y girándolos hacia abajo.

LIMPIEZA DEL ACERO INOXIDABLE:

Debe hacerse:

- Limpiar regularmente las superficies con un trapo limpio humedecido con una mezcla de agua templada y jabón suave o detergente para la vajilla.
- Limpiar siempre en la dirección de las líneas originales de pulido del acero.
- Enjuagar siempre con agua limpia (2 a 3 veces) después de limpiar. Seque completamente.
- También puede utilizar un limpiador doméstico especial para el acero inoxidable.

No debe hacerse:

- Utilizar un estropajo o acero inoxidable u otro tipo de rasquetas para quitar la suciedad resistente.
- Utilizar limpiadores fuertes o abrasivos.
- Dejar que la suciedad se acumule.
- Dejar que el polvo del mortero u otros residuos de la construcción manchen la campana. Si efectúa obras de construcción o renovación, cubra la campana para que no se manche la superficie de acero inoxidable.

Al escoger un detergente, evite:

- Los limpiadores que contienen **blanqueador** (lejía), ya que dañaran el acero inoxidable.
- Los productos que contengan **cloruro, fluoruro, yoduro o bromuro**; ya que deterioran las superficies rápidamente.
- Los **productos combustibles** que se emplean para la limpieza, como **acetona, alcohol, éter, benzol**, etc., ya que son altamente explosivos y nunca debería estar cerca de una cocina.

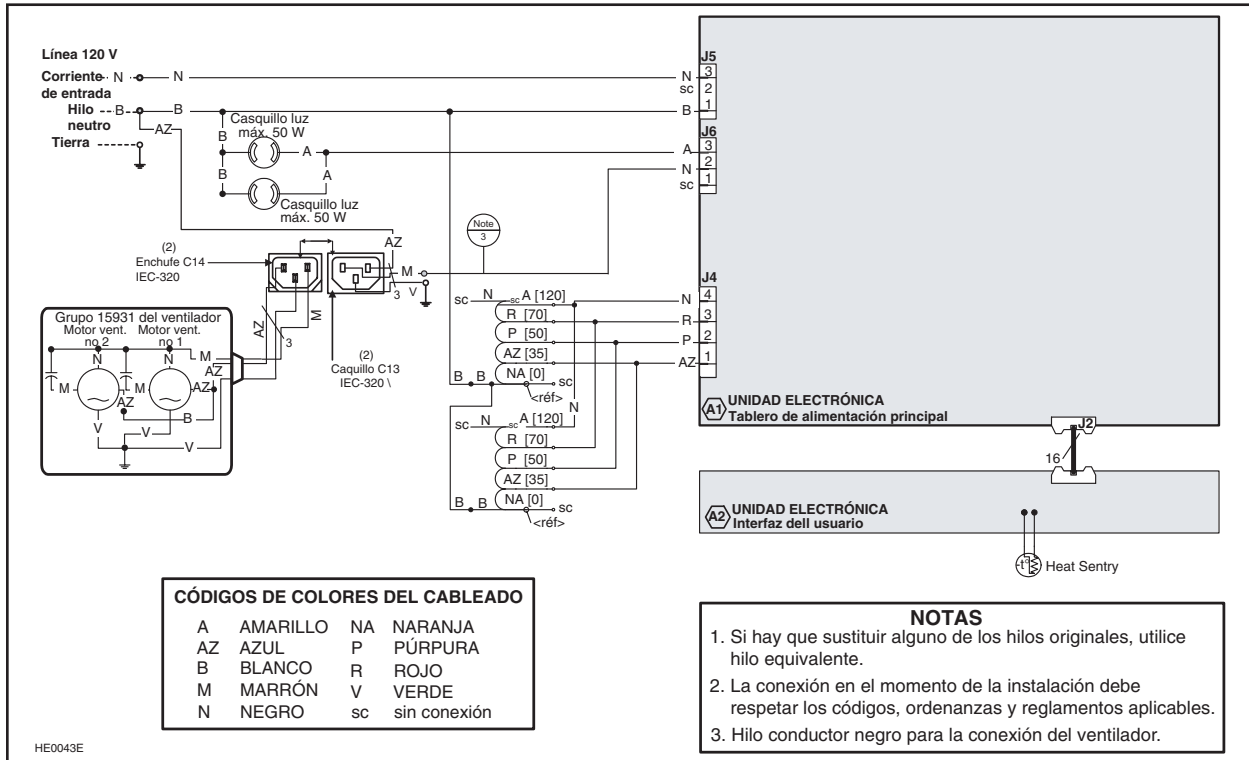
ACABADO ESMALTO:

Limpie únicamente con agua templada y un detergente suave. Si la superficie se decolora, emplee una buena cera para esmaltes, como a cera para automóviles. (NO emplee limpiadores abrasivos fuertes ni limpiadores para porcelana).

14. DIAGRAMA ELÉCTRICO

⚠ ADVERTANCIA

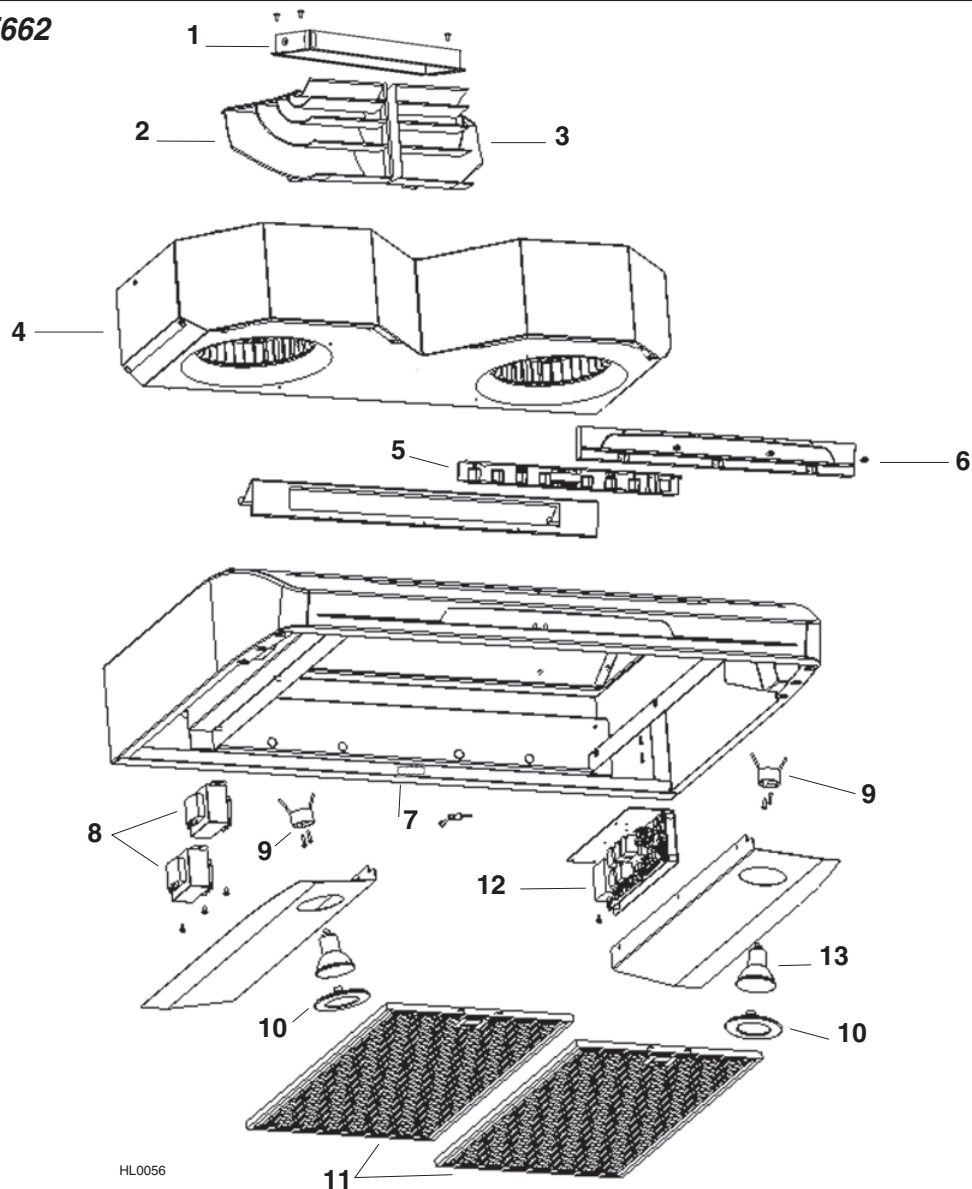
Riesgo de choque eléctrico. La conexión eléctrica debe hacerla personal competente con arreglo a los códigos y normas en vigor. Antes de conectar los hilos, corte la alimentación en el tablero de servicio y bloquee los medios de desconexión para impedir que la corriente se conecte accidentalmente.



HE0043E

15. PIEZAS

MODELO E662



HL0056

N.º	N.º DE PIEZA	DESCRIPCIÓN	ANCHURAS		
			30"	36"	42"
1	V14971	ADAPTADOR	1	1	1
2	V06242	DESVIADOR IZQUIERDO	1	1	1
3	V06243	DESVIADOR DERECHO	1	1	1
4	V15931	VENTILADOR	1	1	1
5	V06263	CONTROL ELECTRÓNICO	1	1	1
6	V06262	TECLADO	1	1	1
7	V06750	LOGO DE BROAN ELITE	1	1	1
8	V06741	EQUIPO HILOS Y TRANSFORMADOR	1	1	1
9	V05917	CASQUILLO DE LUZ	2	2	2
10	V06268	ANILLO	2	2	2
11	V06265	FILTROS 9.922" X 17.981"	2	-	3
	V06266	FILTROS 12.922" X 17.981"	-	2	-
12	V06733-2	UNIDAD DE CONTROL PRINCIPALE	1	1	1
13	V05921	LAMPARA HALÓGENA 50W. 120V. GU-10	2	2	2
*	V06734	HILOS DE BAJA VOLTAJE	1	-	-
*	V06745	HILOS DE BAJA VOLTAJE	-	1	-
*	V06746	HILOS DE BAJA VOLTAJE	-	-	1
*	V06776	CORDÓN DEL VENTILADOR	1	1	1
*	V06784	CORDÓN DE LA CAMPANA	1	1	1
*	V06800	MANUAL DE INSTALACION	1	1	1
*	V06752	BOLSA DE PIEZAS ((2) abrazadera de cable, (3) conectadores, (5) tornillos n.º 8 x 1/2", (9) tornillos n.º 8 x 3/8")	1	1	1

* Este componente no se muestra.

16. GARANTÍA

GARANTÍA

GARANTÍA BROAN-NUTONE LLC DE UN AÑO

Broan-NuTone LLC garantiza al consumidor comprador original de sus productos que dichos productos carece de defectos en materiales o en mano de obra por un período de un año a partir de la fecha de compra original . NO EXISTEN OTRAS GARANTÍAS, EXPRESAS O IMPLÍCITAS, INCLUYENDO, AUNQUE SIN LIMITARSE A ELLAS, GARANTÍAS IMPLÍCITAS DE APTITUD O IDONEIDAD PARA UN PROPOSITO PARTICULAR.

Durante el período de un año, y a su propio criterio, Broan-NuTone LLC reparará o reemplazará, sin costo todo producto o pieza que se considere defectuosa en condiciones normales de servicio y uso.

Esta garantía no cubre (a) mantenimiento y servicios normales o (b) ningún productos o piezas mal utilizado o que hayan sido objeto de negligencia, accidente, mantenimiento o reparación inadecuados (por compañías distintas a Broan-NuTone LLC), instalación defectuosa, o instalación no conforme a las instrucciones de instalación recomendadas.

La duración de cualquier garantía implícita se limita a un periodo de un año como se indica en la garantía expresa. Algunos estados o provincias no permiten limitaciones en cuanto al tiempo de expiración de una garantía implícita, por lo que la limitación antes mencionada puede que no aplique en su caso.

LA OBLIGACIÓN DE BROAN-NUTONE LLC DE REPARAR O REEMPLAZAR, CON ARREGLO A SU PROPIO CRITERIO SERÁ EL ÚNICO RECURSO LEGAL DEL COMPRADOR CONFORME A ESTA GARANTÍA. BROAN-NUTONE LLC NO SE HACE RESPONSABLE DE LOS DAÑOS ADICIONALES, CONSECUENTES O ESPECIALES QUE SURJAN O ESTÉN RELACIONADOS CON DEL USO O EL RENDIMIENTO DEL PRODUCTO. Algunos estados o provincias no permiten la exclusión o limitación de daños accidentales o consecuentes, por lo que la limitación o exclusión antes mencionada puede que no aplique en su caso.

Esta garantía le proporciona derechos legales específicos, aunque usted también puede tener otros derechos, que varían de un estado a otro, o de provincia a provincia. Esta garantía reemplaza todas las garantías anteriores.

Para tener derecho al servicio de garantía, debe usted (a) informar a Broan-NuTone LLC a una de las direcciones o telefonos que aparecen abajo, (b) Dar el número del modelo y el número de identificación de la pieza y (c) Describir el tipo de defecto en el producto o pieza. En el momento de solicitar servicio cubierto por la garantía, deberá presentar una prueba de la fecha de compra original.

Broan-NuTone LLC, 926 West State Street, Hartford, WI 53027 (1-800-637-1453)

NuTone Inc., 4820 Red Bank Road, Cincinnati, OH 45227 (1-800-543-8687)

Broan-NuTone Canada Inc., 1140 Tristar Drive, Mississauga, ON L5T 1H9 (1-888-882-7626)



Free Manuals Download Website

<http://myh66.com>

<http://usermanuals.us>

<http://www.somanuals.com>

<http://www.4manuals.cc>

<http://www.manual-lib.com>

<http://www.404manual.com>

<http://www.luxmanual.com>

<http://aubethermostatmanual.com>

Golf course search by state

<http://golfingnear.com>

Email search by domain

<http://emailbydomain.com>

Auto manuals search

<http://auto.somanuals.com>

TV manuals search

<http://tv.somanuals.com>