

**124A  
LEGACY™ LINE 14 AIR CONDITIONER  
WITH PURON® REFRIGERANT  
1-1/2 TO 5 TONS (SIZES 018 TO 060)**



## PRODUCT DATA



**LEGACY™  
LINE**

Bryant Air Conditioners with Puron® refrigerant provide a collection of features unmatched by any other family of equipment. The 124A has been designed utilizing Bryant's Puron refrigerant. The environmentally sound refrigerant allows you to make a responsible decision in the protection of the earth's ozone layer.

As an Energy Star® Partner, Bryant Heating & Cooling has determined that this product meets the Energy Star® guidelines for energy efficiency. Refer to the combination ratings in the Product Data for system combinations that meet Energy Star® guidelines.

**NOTE: Ratings contained in this document are subject to change at any time. Always refer to the AHRI directory ([www.ahridirectory.org](http://www.ahridirectory.org)) for the most up-to-date ratings information.**

### INDUSTRY LEADING FEATURES / BENEFITS

#### Efficiency

- 14 SEER / 11.5 - 12.0 EER
- Microtube Technology™ refrigeration system
- Indoor air quality accessories available

#### Sound

- Sound level as low as 72 dBA
- Compressor sound blanket

#### Comfort

- System supports Thermidstat™ or standard thermostat controls

#### Reliability

- Puron® refrigerant - environmentally sound, won't deplete the ozone layer and low lifetime service cost.
- Front-seating service valves
- Scroll compressor
- Internal pressure relief valve
- Internal thermal overload
- Low pressure switch
- High pressure switch
- Filter drier
- Balanced refrigeration system for maximum reliability

#### Durability

DuraGuard™ protection package:

- Solid, Durable sheet metal construction
- Steel louver coil guard
- Baked-on, complete outer coverage, powder paint
- Color matched ceramic coated screws

#### Applications

- Long-line - up to 250 feet (76.2 m) total equivalent length, up to 200 feet (60.96 m) condenser above evaporator, or up to 80 ft. (24.38 m) evaporator above condenser (See Longline Guide for more information.)
- Low ambient (down to -20°F/-28.9°C) with accessory kit

## MODEL NUMBER NOMENCLATURE

1	2	3	4	5	6	7	8	9	10	11	12	14
N	N	N	A	A/N	N	N	N	N	A/N	A/N	N	A
1	2	4	A	N	A	0	3	6	0	0	0	A
Product Family	Tier	SEER	Major Series	Voltage	Variations	Cooling Capacity			Open	Open	Open	Minor Series
1=AC	2= Legacy	4=14 SEER	A=Puron	N= 208-230-1 or 208/230-1	A = Standard				0=Not Defined	0= Not Defined	0= Not Defined	A = Original Series



This product has been designed and manufactured to meet Energy Star® criteria for energy efficiency when matched with appropriate coil components. However, proper refrigerant charge and proper air flow are critical to achieve rated capacity and efficiency. Installation of this product should follow all manufacturing refrigerant charging and air flow instructions. **Failure to confirm proper charge and air flow may reduce energy efficiency and shorten equipment life.**

## STANDARD FEATURES

FEATURES	Unit Size – Series						
	018-C	024-D	030-D	036-C	042-D	048-C	060-C
Puron Refrigerant	X	X	X	X	X	X	X
Maximum SEER Rating	15.5	16.0	16.0	16.0	16.0	15.0	14.5
Scroll Compressor	X	X	X	X	X	X	X
Louvered Coil Guard	X	X	X	X	X	X	X
Field Installed Filter Drier	X	X	X	X	X	X	X
Front Seating Service Valves	X	X	X	X	X	X	X
Internal Pressure Relief Valve	X	X	X	X	X	X	X
Internal Thermal Overload	X	X	X	X	X	X	X
Long Line capability	X	X	X	X	X	X	X
Low Ambient capability with Kit	X	X	X	X	X	X	X
Low Pressure (loss of charge) Switch	X	X	X	X	X	X	X
High Pressure Switch	X	X	X	X	X	X	X
Compressor Sound Blanket	X	X	X	X	X	X	X

X = Standard

124A

# PHYSICAL DATA

UNIT SIZE – SERIES	018–C	024–D	030–D	036–C	042–D	048–C	060–C
Operating Weight lb (kg)	195 (88.4)	184 (83.5)	177 (80.3)	225 (102.1)	228 (103.4)	270 (122.5)	337 (152.9)
Shipping Weight lb (kg)	223 (101.2)	223 (101.2)	218 (98.9)	259 (117.5)	267 (121.1)	303 (137.4)	372 (168.7)
Compressor Type	Scroll						
REFRIGERANT	Puron® (R-410A)						
Control	TXV (Puron® Hard Shutoff)						
Charge lb (kg)	5.4 (2.45)	5.48 (2.49)	5.8 (2.63)	6.97 (3.16)	9.5 (4.31)	11 (4.99)	13.3 (6.03)
COND FAN	Propeller Type, Direct Drive						
Air Discharge	Vertical						
Air Qty (CFM)	2235	3223	3223	3810	3810	3810	4050
Motor HP	1/12	1/12	1/12	1/5	1/5	1/5	1/4
Motor RPM	800	800	800	800	800	800	800
COND COIL							
Face Area (Sq ft.)	19.40	17.60	17.60	22.63	17.60	20.12	30.18
Fins per In.	25	25	25	25	20	20	20
Rows	1	1	1	1	2	2	2
Circuits	3	4	4	5	7	7	7
VALVE CONNECT. (In. ID)							
Vapor	5/8	5/8	3/4	3/4	7/8	7/8	7/8
Liquid	3/8						
REFRIGERANT TUBES (In. OD)							
Rated Vapor*	5/8		3/4		7/8		1-1/8
Liquid	3/8						

\*Units are rated with 25 ft (7.6 m) of lineset length. See Vapor Line Sizing and Cooling Capacity Loss table when using other sizes and lengths of lineset.

## VAPOR LINE SIZING AND COOLING CAPACITY LOSS

**LONG LINE APPLICATION:** An application is considered "Long line" when the total equivalent tubing length exceeds 80 ft. (24.38 m) or when there is more than 20 ft. (6.09 m) vertical separation between indoor and outdoor units. These applications require additional accessories and system modifications for reliable system operation. The maximum allowable total equivalent length is up to 250 ft. (76.2 m). The maximum

vertical separation is 200 ft. (60.96 m) when outdoor unit is above indoor unit, and up to 80 ft. (24.38 m) when the outdoor unit is below the indoor unit. Refer to Accessory Usage Guideline below for required accessories. See Longline Application Guideline for required piping and system modifications. Also, refer to the table below for the vapor tube diameters based on the total length to minimize the cooling capacity loss.

Unit Nominal Size (Btuh)	Maximum Liquid Line Diameters (In. OD)	Vapor Line Diameters (In. OD)	Cooling Capacity Loss (%) Total Equivalent Line Length ft. (m)								
			Standard Application		Long Line Application Requires Accessories						
			26–50 (7.9–15.2)	51–80 (15.5–24.4)	81–100 (24.7–30.5)	101–125 (30.8–38.1)	126–150 (38.4–45.7)	151–175 (46.0–53.3)	176–200 (53.6–61.0)	201–225 (61.3–68.6)	226–250 (68.9–76.2)
18000 1 Stage Puron AC	3/8	1/2	1	2	3	4	6	7	8	9	10
		5/8	0	0	1	1	1	2	2	3	3
24000 1 Stage Puron AC	3/8	5/8	0	1	1	2	3	3	4	4	5
		3/4	0	0	0	0	1	1	1	1	1
		7/8	0	0	0	0	0	0	0	0	0
30000 1 Stage Puron AC	3/8	5/8	1	2	3	3	4	5	6	7	8
		3/4	0	0	1	1	1	2	2	2	3
		7/8	0	0	0	0	1	1	1	1	1
36000 1 Stage Puron AC	3/8	5/8	1	2	4	5	6	7	9	10	11
		3/4	0	0	1	1	2	2	3	3	4
		7/8	0	0	0	0	1	1	1	1	2
42000 1 Stage Puron AC	3/8	3/4	0	1	2	2	3	4	4	5	6
		7/8	0	0	1	1	1	2	2	2	3
		1 1/8	0	0	0	0	0	0	0	0	0
48000 1 Stage Puron AC	3/8	3/4	0	1	2	3	4	5	5	6	7
		7/8	0	0	1	1	2	2	2	3	3
		1 1/8	0	0	0	0	0	0	0	1	1
60000 1 Stage Puron AC	3/8	3/4	1	2	4	5	6	7	9	10	11
		7/8	0	1	2	2	3	4	4	5	5
		1 1/8	0	0	0	1	1	1	1	1	1

Applications in this area are long line. Accessories are required as shown recommended on Long Line Application Guidelines  
 Applications in this area may have height restrictions that limit allowable total equivalent length, when outdoor unit is below indoor unit. See Long Line Application Guidelines

124A

## ACCESSORIES

ORDER NUMBER	DESCRIPTION	018-C	024-D	030-D	036-C	042-D	048-C	060-C
KAACH1201AAA	CRANKCASE HTR					X	X	X
KAACH1401AAA	CRANKCASE HTR	X	X	X	X			
KSACY0101AAA	CYCLE PROTECTOR	X	X	X	X	X	X	X
KAFT0101AAA	FREEZE THERMOSTAT	X	X	X	X	X	X	X
KSAHS1701AAA	HARD START (CAP / RELAY)	X	X	X	X	X	X	X
KSALA0301410*	LOW AMBIENT PSW	X	X	X	X	X	X	X
HC32GE229	MOTOR FAN BALL BEARING	X	X	X				
HC38GE228	MOTOR FAN BALL BEARING				X	X	X	
HC40GE228	MOTOR FAN BALL BEARING							X
KSALA0601AAA*	MOTORMASTER 230V	X	X	X	X	X	X	X
KAALS0201LLS	SOLENOID VALVE	X	X	X	X	X	X	X
KAACS0201PTC	START ASSIST PTC	X	X	X	X	X	X	X
KSASF0101AAA	SUPPORT FEET	X	X	X	X	X	X	X
KAATD0101TDR	TIME DELAY RELAY	X	X	X	X	X	X	X
KSATX0201PUR	TXV PURON HSO	X	X	X				
KSATX0301PUR	TXV PURON HSO				X	X		
KSATX0401PUR	TXV PURON HSO						X	
KSATX0501PUR	TXV PURON HSO							X
KAAWS0101AAA	WINTER START	X	X	X	X	X	X	X

x = Accessory

\* See Accessory Usage Guideline for other accessories needed for low ambient cooling applications.

## THERMOSTATS

THERMOSTAT / SUBBASE PKG.	DESCRIPTION
<b>T6-PRH-01</b>	Programmable Thermidistat
<b>T6-NRH-01</b>	Non-programmable Thermidistat
<b>T2-PAC-01</b>	Legacy Series Programmable AC Stat
<b>T2-NAC-01</b>	Legacy Series Non-programmable AC Stat
<b>TSTATBBPRH01-B</b>	Thermidistat Control – Programmable / Non-Programmable Thermostat with Humidity control
<b>TSTATBBPAC01-B</b>	Thermostat – Auto Changeover, 7-Day Programmable, °F/°C, 1-Stage Heat, 1-Stage Cool
<b>TSTATBBNAC01-C</b>	Thermostat – Auto Changeover, Non-Programmable, °F/°C, 1-Stage Heat, 1-Stage Cool
<b>TSTATBBBAC01-B</b>	Builder's Thermostat – Manual Changeover, Non-Programmable, °F/°C, 1-Stage Heat, 1-Stage Cool
<b>TSTATBSEN01-B</b>	Outdoor Air Temperature Sensor
<b>TSTATXBBP01</b>	Backplate for Builder's Thermostat
<b>TSTATXNBP01</b>	Backplate for Non-Programmable Thermostat
<b>TSTATXPBP01</b>	Backplate for Programmable Thermostat
<b>TSTATXCNV10</b>	Thermostat Conversion Kit (4 to 5 wires) – 10 Pack

# ACCESSORY USAGE GUIDELINE

ACCESSORY	REQUIRED FOR LOW-AMBI- ENT COOLING APPLICATIONS (Below 55°F/12.8°C)	REQUIRED FOR LONG LINE APPLICATIONS* (Over 80 ft./24.38 m)	REQUIRED FOR SEA COAST APPLICATIONS (Within 2 miles/3.22 km)
Ball Bearing Fan Motor	Yes†	No	No
Compressor Start Assist Capacitor and Relay	Yes	Yes	No
Crankcase Heater	Yes	Yes	No
Evaporator Freeze Thermostat	Yes	No	No
Hard Shut-Off TXV	Yes	Yes	Yes
Liquid Line Solenoid Valve	No	No	No
Motor Master® Control or Low-ambient Pressure Switch	Yes	No	No
Support Feet	Recommended	No	Recommended
Winter Start Control	Yes	No	No

\* For tubing line sets between 80 and 200 ft. (24.38 and 60.96 m) and/or 20 ft. (6.09 m) vertical differential, refer to Residential Split-System Longline Application Guideline.

† Required for Low-Ambient Controller (full modulation feature) MotorMaster® Control.

## Accessory Description and Usage (Listed Alphabetically)

### 1. Ball-Bearing Fan Motor

A fan motor with ball bearings which permits speed reduction while maintaining bearing lubrication.

Usage Guideline:

Required on all units when MotorMaster® —

### 2. Compressor Start Assist - Capacitor and Relay

Start capacitor and relay gives a "hard" boost to compressor motor at each start up.

Usage Guideline:

Required for reciprocating compressors in the following applications:

- Long line
- Low ambient cooling
- Hard shut off expansion valve on indoor coil
- Liquid line solenoid on indoor coil

Required for single-phase scroll compressors in the following applications:

- Long line
- Low ambient cooling

Suggested for all compressors in areas with a history of low voltage problems.

### 3. Compressor Start Assist — PTC Type

Solid state electrical device which gives a "soft" boost to the compressor at each start-up.

Usage Guideline:

Suggested in installations with marginal power supply.

### 4. Crankcase Heater

An electric resistance heater which mounts to the base of the compressor to keep the lubricant warm during off cycles. Improves compressor lubrication on restart and minimizes the chance of liquid slugging.

Usage Guideline:

- Required in low ambient cooling applications.
- Required in long line applications.
- Suggested in all commercial applications.

### 5. Cycle Protector

The cycle protector is designed to prevent compressor short cycling. This control provides an approximate 5-minute delay after power to the compressor has been interrupted for any reason, including power outage, protector control trip, thermostat jiggling, or normal cycling.

### 6. Evaporator Freeze Thermostat

An SPST temperature-actuated switch that stops unit operation when evaporator reaches freeze-up conditions.

Usage Guideline:

Required when low ambient kit has been added.

### 7. Low-Ambient Pressure Switch Kit

A long life pressure switch which is mounted to outdoor unit service valve. It is designed to cycle the outdoor fan motor in order to maintain head pressure within normal operating limits (approximately 100 psig/689.5 KpA to 225 psig/1551.3 KpA). The control will maintain working head pressure at low-ambient temperatures down to 0°F (-17.8°C) when properly installed.

Usage Guideline:

A Low-Ambient Pressure Switch or MotorMaster® Low-Ambient Controller must be used when cooling operation is used at outdoor temperatures below 55°F (12.8°C).

### 8. MotorMaster® Low-Ambient Controller

A fan-speed control device activated by a temperature sensor, designed to control condenser fan motor speed in response to the saturated, condensing temperature during operation in cooling mode only. For outdoor temperatures down to -20°F (-28.9°C), it maintains condensing temperature at 100°F ±10°F (37.8°C ± 6.5°C).

Usage Guideline:

A MotorMaster® Low Ambient Controller or Low-Ambient Pressure Switch must be used when cooling operation is used at outdoor temperatures below 55°F (12.8°C).

Suggested for all commercial applications.

### 9. Outdoor Air Temperature Sensor

Designed for use with Bryant Thermostats listed in this publication. This device enables the thermostat to display the outdoor temperature. This device also

is required to enable special thermostat features such as auxiliary heat lock out.

Usage Guideline:

Suggested for all Bryant thermostats listed in this publication.

## Accessory Description and Usage (Listed Alphabetically) (Continued)

### 10. Sound Hood

Wraparound sound reducing cover for the compressor. Reduces the sound level by about 2 dBA.

Usage Guideline:

Suggested when unit is installed closer than 15 ft (4.57 m) to quiet areas, bedrooms, etc.

Suggested when unit is installed between two houses less than 10 ft (3.05 m) apart.

### 11. Support Feet

Four stick-on plastic feet that raise the unit 4 in. (101.6 mm) above the mounting pad. This allows sand, dirt, and other debris to be flushed from the unit base, minimizing corrosion.

Usage Guideline:

Suggested in the following applications:

Coastal installations.

Windy areas or where debris is normally circulating.

Rooftop installations.

For improved sound ratings.

### 12. Thermostatic Expansion Valve (TXV)

A modulating flow-control valve which meters refrigerant liquid flow rate into the evaporator in response to the superheat of the refrigerant gas leaving the evaporator.

Kit includes valve, adapter tubes, and external equalizer tube. Hard shut off types are available.

**NOTE:** When using a hard shut off TXV with single phase reciprocating compressors, a Compressor Start Assist Capacitor and Relay is required.

Usage Guideline:

Required to achieve ARI ratings in certain equipment combinations. Refer to combination ratings.

Hard shut off TXV or LLS required in air conditioner long line applications.

Required for use on all zoning systems.

### 13. Time-Delay Relay

An SPST delay relay which briefly continues operation of indoor blower motor to provide additional cooling after the compressor cycles off.

**NOTE:** Most indoor unit controls include this feature. For those that do not, use the guideline below.

Usage Guideline:

For improved efficiency ratings for certain combinations of indoor and outdoor units. Refer to ARI Unitary Directory.

### 14. Winter Start Control

This control is designed to alleviate nuisance opening of the low-pressure switch by bypassing it for the first 3 minutes of operation.

# ELECTRICAL DATA

UNIT SIZE – SERIES	V/PH	OPER VOLTS*		COMPR		FAN	MCA	MIN WIRE SIZE†	MIN WIRE SIZE†	MAX LENGTH ft. (m)‡	MAX LENGTH ft. (m)‡	MAX FUSE** or CKT BRK AMPS
		MAX	MIN	LRA	RLA	FLA		60° C	75° C	60° C	75° C	
018–C	208/230/1	253	197	48.0	9.0	0.5	11.7	14	14	67 (20.4)	64 (19.5)	15
024–D				58.3	13.5	0.5	17.3	14	14	46 (14.0)	43 (13.1)	30
030–D				73.0	14.1	0.5	18.1	14	14	44 (13.4)	41 (12.5)	30
036–C				79.0	16.7	1.2	22.0	12	12	57 (17.4)	54 (16.5)	35
042–D				112.0	17.9	1.2	23.6	12	10	53 (16.2)	50 (15.2)	40
048–C				117.0	21.8	1.2	28.4	10	10	70 (21.3)	67 (20.4)	40
060–C				134.0	26.4	1.2	34.2	8	8	91 (27.7)	86 (26.2)	50

\* Permissible limits of the voltage range at which the unit will operate satisfactorily

† If wire is applied at ambient greater than 30° C, consult table 310–16 of the NEC (ANSI/NFPA 70). The ampacity of non-metallic-sheathed cable (NM), trade name ROMEX, shall be that of 60° C conditions, per the NEC (ANSI/NFPA 70) Article 336–26. If other than uncoated (no-plated), 60 or 75° C insulation, copper wire (solid wire for 10 AWG or smaller, stranded wire for larger than 10 AWG) is used, consult applicable tables of the NEC (ANSI/NFPA 70).

‡ Length shown is as measured 1 way along wire path between unit and service panel for voltage drop not to exceed 2%.

\*\* Time–Delay fuse.

FLA – Full Load Amps

LRA – Locked Rotor Amps

MCA – Minimum Circuit Amps

RLA – Rated Load Amps

NOTE: Control circuit is 24–V on all units and requires external power source. Copper wire must be used from service disconnect to unit.

All motors/compressors contain internal overload protection.

Complies with 2001 requirements of ASHRAE Standards 90.1

## A-WEIGHTED SOUND POWER

UNIT SIZE – VOLTAGE, SERIES	STANDARD RATING (dBA)	TYPICAL OCTAVE BAND SPECTRUM (dBA, without tone adjustment)†						
		125	250	500	1000	2000	4000	8000
018–C	73	56.0	60.0	65.0	69.0	63.0	60.0	52.5
024–D	74	51.0	60.0	66.5	66.5	64.0	60.0	52.5
030–D	74	53.0	62.0	68.5	69.0	65.5	61.0	54.0
036–C	72	52.0	62.0	65.5	67.5	63.0	61.0	53.5
042–D	74	60.0	65.5	68.5	68.5	65.0	60.0	52.5
048–C	73	59.5	63.5	66.5	67.5	64.0	62.0	55.5
060–C	74	55.5	64.0	67.0	69.0	65.0	60.0	54.5

NOTE: Tested in accordance with ARI Standard 270–95. (Not listed with ARI).

## CHARGING SUBCOOLING (TXV-TYPE EXPANSION DEVICE)

UNIT SIZE–VOLTAGE, SERIES	REQUIRED SUBCOOLING °F (°C)
018–C	10 (5.6)
024–D	10 (5.6)
030–D	11 (6.1)
036–C	10 (5.6)
042–D	12 (6.7)
048–C	9 (5.0)
060–C	9 (5.0)


**DIMENSIONS - ENGLISH**

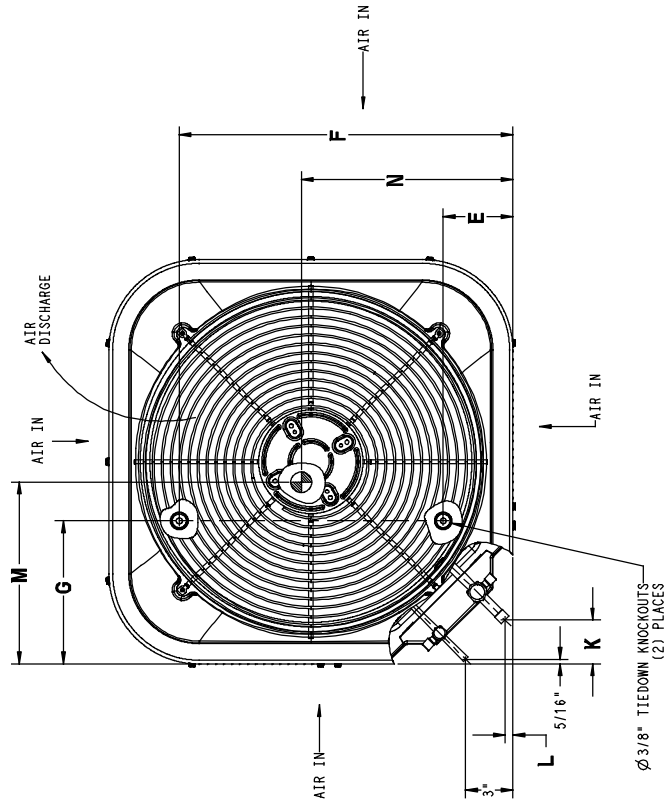
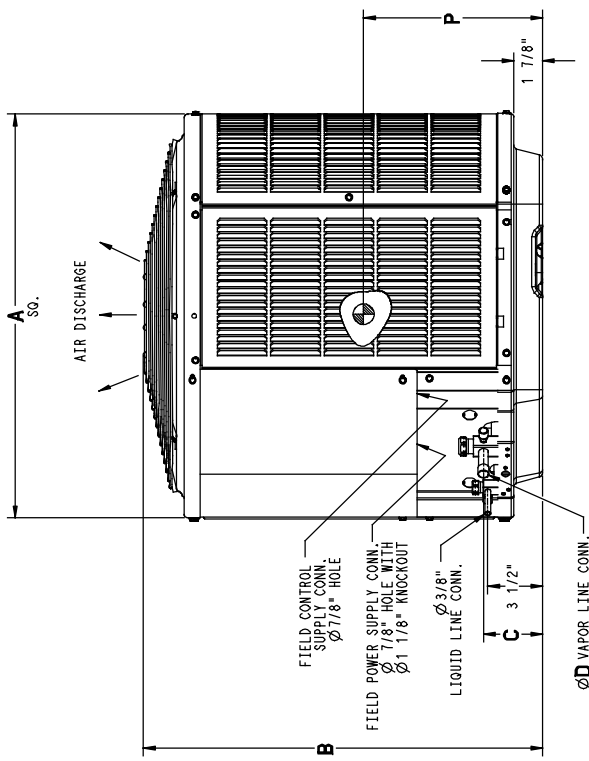
UNIT	SERIES	ELECTRICAL CHARACTERISTICS	A	B	C	D	E	F	G	K	L	M	N	P	OPERATING WEIGHT (lbs)	SHIPPING WEIGHT (lbs)	SHIPPING DIMENSIONS (L x W x H)
124A018	C	X 0 0 0	31 3/16"	35 3/4"	3 3/4"	5/8"	6 9/16"	24 11/16"	9 1/8"	2 13/16"	1/2"	16 1/4"	16"	16 5/8"	195	223	32 3/8" X 35 1/2" X 39 3/8"
124A024	D	X 0 0 0	35"	28 15/16"	3 3/4"	5/8"	6 9/16"	28 7/16"	9 1/8"	2 13/16"	1/2"	17 1/2"	15 3/4"	14 1/2"	184	223	36 1/8" X 39 5/16" X 32 9/16"
124A030	D	X 0 0 0	35"	28 15/16"	3 3/4"	3/4"	6 9/16"	28 7/16"	9 1/8"	2 13/16"	1/2"	16 1/4"	15 1/2"	14 1/2"	177	218	36 1/8" X 39 5/16" X 32 9/16"
124A036	C	X 0 0 0	35"	35 3/4"	3 3/4"	3/4"	6 9/16"	28 7/16"	9 1/8"	2 13/16"	1/2"	18 1/4"	18 1/2"	17 1/2"	225	259	36 1/8" X 39 5/16" X 39 3/8"
124A042	D	X 0 0 0	35"	28 15/16"	3 7/8"	7/8"	6 9/16"	28 7/16"	9 1/8"	2 15/16"	5/8"	15 1/4"	16 7/8"	13 1/4"	228	267	36 1/8" X 39 5/16" X 32 9/16"
124A048	C	X 0 0 0	35"	32 5/16"	3 7/8"	7/8"	6 9/16"	28 7/16"	9 1/8"	2 15/16"	5/8"	17 3/4"	18 3/4"	15 1/2"	270	303	36 1/8" X 39 5/16" X 35 15/16"
124A060	C	X 0 0 0	35"	45 15/16"	3 7/8"	7/8"	6 9/16"	28 7/16"	9 1/8"	2 15/16"	5/8"	17 7/8"	18 5/8"	20 1/4"	337	372	36 1/8" X 39 5/16" X 49 9/16"

208-230-160	460-3-60
208-230-3-60	208/230-3-60

X = YES  
O = NO

**NOTES:**

1. ALLOW 30" CLEARANCE TO SERVICE SIDE OF UNIT, 48" ABOVE UNIT 8" ON ONE SIDE, 12" ON REMAINING SIDE, AND 24" BETWEEN UNITS FOR PROPER AIRFLOW.
2. MINIMUM OUTDOOR OPERATING AMBIENT IN COOLING MODE IS 55°F. MAX. 125°F.
3. SERIES DESIGNATION IS THE 10TH POSITION OF THE UNIT MODEL NUMBER.
4. CENTER OF GRAVITY .
5. ALL DIMENSIONS ARE IN \*INCHES\* UNLESS NOTED.



UNIT SIZE	MINIMUM MOUNTING PAD DIMENSIONS
-	26" X 26"
18	31 1/2" X 31 1/2"
24,30,36,42,48,60	35" X 35"




# DIMENSIONS - SI

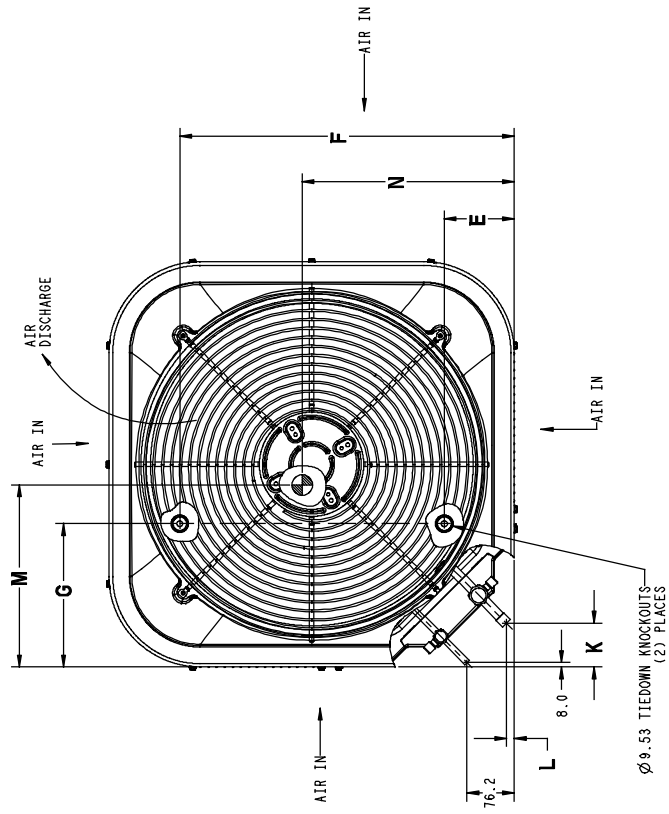
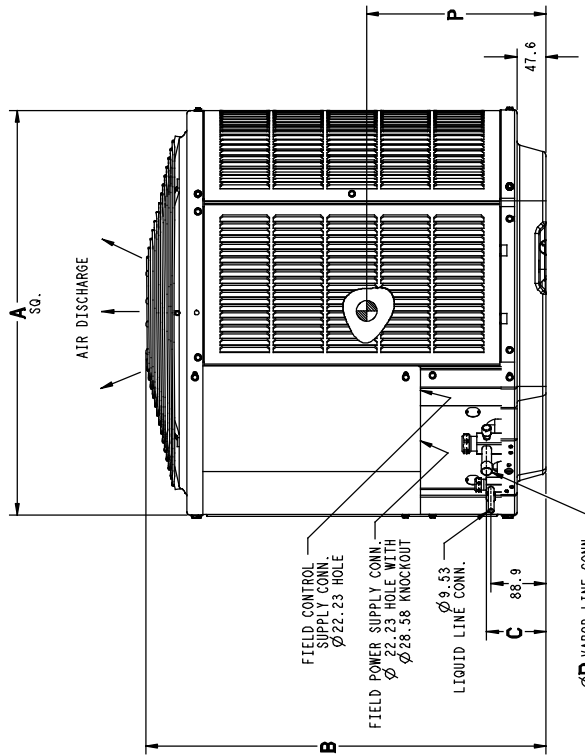
UNIT	SERIES	ELECTRICAL CHARACTERISTICS	A	B	C	D	E	F	G	K	L	M	N	P	OPERATING WEIGHT (Kgs)	SHIPPING WEIGHT (Kgs)	SHIPPING DIMENSIONS (L x W x H)
124A018	C	X 0 0 0	792.2	908.0	95.2	15.9	166.7	627.1	231.8	71.4	12.7	412.8	406.4	422.3	88.4	101.2	822.3 X 901.7 X 1000.1
124A024	D	X 0 0 0	889.0	735.0	95.2	15.9	166.7	722.3	231.8	71.4	12.7	444.5	400.0	368.3	83.5	101.2	917.6 X 998.6 X 827.1
124A030	D	X 0 0 0	889.0	735.0	95.2	19.0	166.7	722.3	231.8	71.4	12.7	412.8	393.7	368.3	80.3	98.9	917.6 X 998.6 X 827.1
124A036	C	X 0 0 0	889.0	908.0	95.2	19.0	166.7	722.3	231.8	71.4	12.7	463.6	469.9	444.5	102.1	117.5	917.6 X 998.6 X 1000.1
124A042	D	X 0 0 0	889.0	735.0	98.4	22.2	166.7	722.3	231.8	74.6	15.9	387.4	428.6	336.6	103.4	121.1	917.6 X 998.6 X 827.1
124A048	C	X 0 0 0	889.0	820.8	98.4	22.2	166.7	722.3	231.8	74.6	15.9	450.8	476.2	393.7	122.5	137.4	917.6 X 998.6 X 912.8
124A060	C	X 0 0 0	889.0	1166.8	98.4	22.2	166.7	722.3	231.8	74.6	15.9	454.0	473.1	514.4	152.9	168.7	917.6 X 998.6 X 1258.9

208-230-1-60	230-1-60	208/230-3-60	460-3-60
--------------	----------	--------------	----------

X = YES  
O = NO

### NOTES:

- ALLOW 762.0 CLEARANCE TO SERVICE SIDE OF UNIT, 1219.2 ABOVE UNIT, 152.4 ON ONE SIDE, 304.8 ON REMAINING SIDE, AND 609.6 BETWEEN UNITS FOR PROPER AIRFLOW.
- MINIMUM OUTDOOR OPERATING AMBIENT IN COOLING MODE IS 13 C, MAX. 32 C.
- SERIES DESIGNATION IS THE 10TH POSITION OF THE UNIT MODEL NUMBER.
- CENTER OF GRAVITY 
- ALL DIMENSIONS ARE IN "MM" UNLESS NOTED.

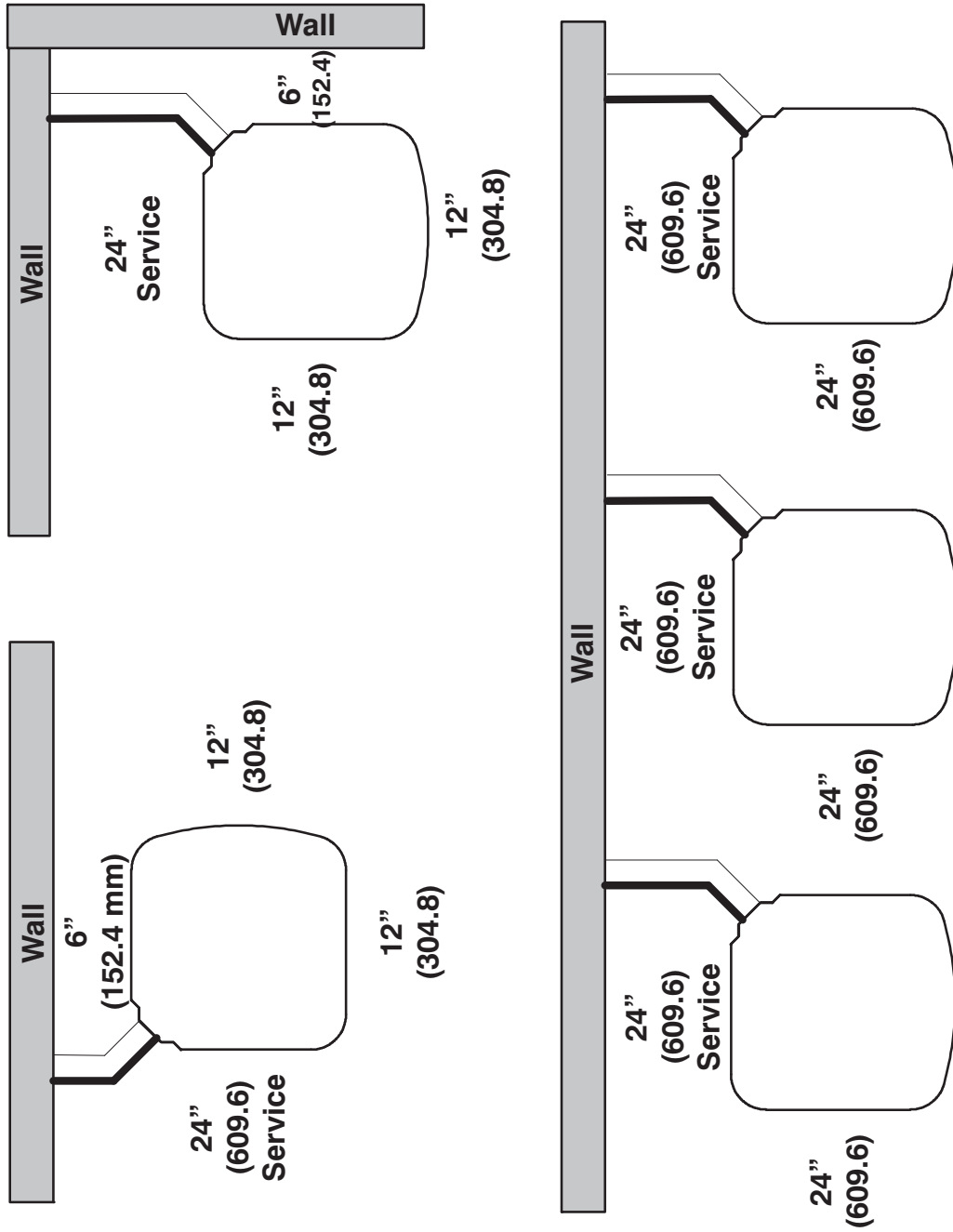


UNIT SIZE	MINIMUM MOUNTING PAD DIMENSIONS
-	660.4 X 660.4
18	800.1 X 800.1
24,30,36,42,48,60	889.0 X 889.0

124A

# CLEARANCES

Clearances (various examples)



Note: Numbers in ( ) = mm

# COMBINATION RATINGS

ARI Ref. No.	Model Number	Indoor Model	Furnace Model	Capacity	EER	SEER	Phase
3047865	124ANA018-C	*CAP**2414A**+TDR		18000	11.50	14.00	1
3047866	124ANA018-C	CAP**1814A**	313*AV024045	18000	12.75	15.25	1
3047873	124ANA018-C	CAP**1814A**	315(A,J)AV036070	17600	12.50	15.00	1
3047872	124ANA018-C	CAP**1814A**+TDR		17800	11.20	13.50	1
3047867	124ANA018-C	CAP**2414A**	313*AV024045	18200	13.00	15.50	1
3047874	124ANA018-C	CAP**2414A**	315(A,J)AV036070	17900	13.00	15.50	1
3047877	124ANA018-C	CAP**2417A**	315(A,J)AV048090	17900	13.00	15.50	1
3101972	124ANA018-C	CAP**2417A**	353AAV036040	18000	13.20	16.00	1
3101973	124ANA018-C	CAP**2417A**	353AAV036060	18000	13.20	16.00	1
3047876	124ANA018-C	CAP**2417A**	355(A,C)AV042060	17900	13.00	15.50	1
3047875	124ANA018-C	CAP**2417A**+TDR		18000	11.50	14.00	1
3047891	124ANA018-C	CNPF*2418A**+TDR		18000	11.50	14.00	1
3047870	124ANA018-C	CNPH*2417A**	313*AV024045	18200	13.00	15.50	1
3047889	124ANA018-C	CNPH*2417A**	315(A,J)AV036070	17900	13.00	15.50	1
3047890	124ANA018-C	CNPH*2417A**	315(A,J)AV048090	17900	13.00	15.50	1
3101976	124ANA018-C	CNPH*2417A**	353AAV036040	18000	13.00	15.75	1
3101977	124ANA018-C	CNPH*2417A**	353AAV036060	18000	13.00	15.75	1
3047886	124ANA018-C	CNPH*2417A**	355(A,C)AV042040	17900	13.00	15.50	1
3047887	124ANA018-C	CNPH*2417A**	355(A,C)AV042060	17900	13.00	15.50	1
3047888	124ANA018-C	CNPH*2417A**	355(A,C)AV042080	17900	13.00	15.50	1
3047885	124ANA018-C	CNPH*2417A**+TDR		18000	11.50	14.00	1
3047868	124ANA018-C	CNPV*1814A**	313*AV024045	18000	12.75	15.25	1
3047879	124ANA018-C	CNPV*1814A**	315(A,J)AV036070	17600	12.50	15.00	1
3047878	124ANA018-C	CNPV*1814A**+TDR		17800	11.20	13.50	1
3047869	124ANA018-C	CNPV*2414A**	313*AV024045	18200	13.00	15.50	1
3047881	124ANA018-C	CNPV*2414A**	315(A,J)AV036070	17900	13.00	15.50	1
3047880	124ANA018-C	CNPV*2414A**+TDR		18000	11.50	14.00	1
3047884	124ANA018-C	CNPV*2417A**	315(A,J)AV048090	17900	13.00	15.50	1
3101974	124ANA018-C	CNPV*2417A**	353AAV036040	18000	13.00	15.75	1
3101975	124ANA018-C	CNPV*2417A**	353AAV036060	18000	13.00	15.75	1
3047883	124ANA018-C	CNPV*2417A**	355(A,C)AV042060	17900	13.00	15.50	1
3047882	124ANA018-C	CNPV*2417A**+TDR		18000	11.50	14.00	1
3047871	124ANA018-C	CSPH*2412A**	313*AV024045	18200	13.00	15.50	1
3047896	124ANA018-C	CSPH*2412A**	315(A,J)AV036070	17900	13.00	15.50	1
3047897	124ANA018-C	CSPH*2412A**	315(A,J)AV048090	17900	13.00	15.50	1
3101978	124ANA018-C	CSPH*2412A**	353AAV036040	18000	13.00	15.75	1
3101979	124ANA018-C	CSPH*2412A**	353AAV036060	18000	13.00	15.75	1
3047893	124ANA018-C	CSPH*2412A**	355(A,C)AV042040	17900	13.00	15.50	1
3047894	124ANA018-C	CSPH*2412A**	355(A,C)AV042060	17900	13.00	15.50	1
3047895	124ANA018-C	CSPH*2412A**	355(A,C)AV042080	17900	13.00	15.50	1
3047892	124ANA018-C	CSPH*2412A**+TDR		18000	12.00	14.00	1
3047902	124ANA018-C	FE4ANF002+UI		18200	13.20	16.00	1
3047903	124ANA018-C	FF1ENP018		17800	11.20	13.50	1
3047904	124ANA018-C	FF1ENP024		18000	11.20	13.50	1
3047905	124ANA018-C	FV4BNF002		18200	13.20	16.00	1
3047900	124ANA018-C	FX4CNF018		18000	13.00	15.50	1
3047901	124ANA018-C	FX4CNF024		18300	13.00	15.50	1
3047898	124ANA018-C	FY4ANF018		17800	11.20	13.50	1
3047899	124ANA018-C	FY4ANF024		17900	11.20	13.50	1
3047906	124ANA024-D	*CAP**2414A**+TDR		23200	11.70	14.00	1
3047907	124ANA024-D	CAP**2414A**	313*AV024045	23200	12.75	15.25	1
3047915	124ANA024-D	CAP**2414A**	315(A,J)AV036070	23000	13.00	15.50	1
3047918	124ANA024-D	CAP**2417A**	315(A,J)AV048090	23000	13.00	15.50	1
3101980	124ANA024-D	CAP**2417A**	353AAV036040	23200	13.00	15.75	1
3101981	124ANA024-D	CAP**2417A**	353AAV036060	23200	13.00	15.75	1
3101982	124ANA024-D	CAP**2417A**	353AAV036080	23200	13.00	15.75	1
3047917	124ANA024-D	CAP**2417A**	355(A,C)AV042060	23000	13.00	15.50	1
3047916	124ANA024-D	CAP**2417A**+TDR		23200	11.70	14.00	1
3047908	124ANA024-D	CAP**3014A**	313*AV024045	23400	13.00	15.50	1
3047920	124ANA024-D	CAP**3014A**	315(A,J)AV036070	23200	13.00	15.50	1
3047919	124ANA024-D	CAP**3014A**+TDR		23400	12.00	14.00	1
3047923	124ANA024-D	CAP**3017A**	315(A,J)AV048090	23200	13.20	16.00	1
3101983	124ANA024-D	CAP**3017A**	353AAV036040	23800	13.20	16.00	1
3101984	124ANA024-D	CAP**3017A**	353AAV036060	23800	13.20	16.00	1
3101985	124ANA024-D	CAP**3017A**	353AAV036080	23800	13.20	16.00	1
3047922	124ANA024-D	CAP**3017A**	355(A,C)AV042060	23200	13.00	15.50	1
3047921	124ANA024-D	CAP**3017A**+TDR		23400	12.00	14.00	1
3047958	124ANA024-D	CNPF*2418A**+TDR		23200	11.70	14.00	1
3047911	124ANA024-D	CNPH*2417A**	313*AV024045	23000	12.75	15.25	1
3047941	124ANA024-D	CNPH*2417A**	315(A,J)AV036070	22800	12.50	15.50	1
3047942	124ANA024-D	CNPH*2417A**	315(A,J)AV048090	23000	13.00	15.50	1
3047943	124ANA024-D	CNPH*2417A**	315(A,J)AV060110	23000	12.50	15.50	1
3047944	124ANA024-D	CNPH*2417A**	315(A,J)AV066135	23000	13.00	15.50	1
3047945	124ANA024-D	CNPH*2417A**	315(A,J)AV066155	23000	13.00	15.50	1
3101992	124ANA024-D	CNPH*2417A**	353AAV036040	23200	13.00	15.75	1
3101993	124ANA024-D	CNPH*2417A**	353AAV036060	23200	13.00	15.75	1
3101994	124ANA024-D	CNPH*2417A**	353AAV036080	23200	13.00	15.75	1
3047935	124ANA024-D	CNPH*2417A**	355(A,C)AV042040	23000	12.50	15.50	1
3047936	124ANA024-D	CNPH*2417A**	355(A,C)AV042060	23000	13.00	15.50	1
3047937	124ANA024-D	CNPH*2417A**	355(A,C)AV042080	23000	12.50	15.50	1
3047938	124ANA024-D	CNPH*2417A**	355(A,C)AV060080	22800	13.00	15.50	1
3047939	124ANA024-D	CNPH*2417A**	355(A,C)AV060100	23000	13.00	15.50	1
3047940	124ANA024-D	CNPH*2417A**	355(A,C)AV060120	22800	12.50	15.00	1
3047934	124ANA024-D	CNPH*2417A**+TDR		23200	11.70	14.00	1
3047912	124ANA024-D	CNPH*3017A**	313*AV024045	23600	13.00	15.25	1
3047953	124ANA024-D	CNPH*3017A**	315(A,J)AV036070	23200	13.00	15.50	1
3047954	124ANA024-D	CNPH*3017A**	315(A,J)AV048090	23200	13.20	16.00	1
3047955	124ANA024-D	CNPH*3017A**	315(A,J)AV060110	23200	13.00	15.50	1

124A

See notes on page 19

# COMBINATION RATINGS CONTINUED

ARI Ref. No.	Model Number	Indoor Model	Furnace Model	Capacity	EER	SEER	Phase
3047956	124ANA024-D	CNPH*3017A**	315(A,J)AV066135	23400	13.00	15.50	1
3047957	124ANA024-D	CNPH*3017A**	315(A,J)AV066155	23400	13.20	16.00	1
3101995	124ANA024-D	CNPH*3017A**	353AAV036040	23800	13.20	16.00	1
3101996	124ANA024-D	CNPH*3017A**	353AAV036060	23800	13.20	16.00	1
3101997	124ANA024-D	CNPH*3017A**	353AAV036080	23800	13.20	16.00	1
3047947	124ANA024-D	CNPH*3017A**	355(A,C)AV042040	23200	13.00	15.50	1
3047948	124ANA024-D	CNPH*3017A**	355(A,C)AV042060	23200	13.00	15.50	1
3047949	124ANA024-D	CNPH*3017A**	355(A,C)AV042080	23200	13.00	15.50	1
3047950	124ANA024-D	CNPH*3017A**	355(A,C)AV060080	23000	13.00	15.50	1
3047951	124ANA024-D	CNPH*3017A**	355(A,C)AV060100	23200	13.00	15.50	1
3047952	124ANA024-D	CNPH*3017A**	355(A,C)AV060120	23200	13.00	15.50	1
3047946	124ANA024-D	CNPH*3017A**+TDR		23400	12.00	14.00	1
3047909	124ANA024-D	CNPV*2414A**	313*AV024045	23000	12.75	15.25	1
3047925	124ANA024-D	CNPV*2414A**	315(A,J)AV036070	22800	12.50	15.50	1
3047924	124ANA024-D	CNPV*2414A**+TDR		23200	11.70	14.00	1
3047928	124ANA024-D	CNPV*2417A**	315(A,J)AV048090	23000	13.00	15.50	1
3101986	124ANA024-D	CNPV*2417A**	353AAV036040	23200	13.00	15.75	1
3101987	124ANA024-D	CNPV*2417A**	353AAV036060	23200	13.00	15.75	1
3101988	124ANA024-D	CNPV*2417A**	353AAV036080	23200	13.00	15.75	1
3047927	124ANA024-D	CNPV*2417A**	355(A,C)AV042060	23000	13.00	15.50	1
3047926	124ANA024-D	CNPV*2417A**+TDR		23200	11.70	14.00	1
3047910	124ANA024-D	CNPV*3014A**	313*AV024045	23400	13.00	15.50	1
3047930	124ANA024-D	CNPV*3014A**	315(A,J)AV036070	23200	13.00	15.50	1
3047929	124ANA024-D	CNPV*3014A**+TDR		23400	12.00	14.00	1
3047933	124ANA024-D	CNPV*3017A**	315(A,J)AV048090	23200	13.20	16.00	1
3101989	124ANA024-D	CNPV*3017A**	353AAV036040	23800	13.20	16.00	1
3101990	124ANA024-D	CNPV*3017A**	353AAV036060	23800	13.20	16.00	1
3101991	124ANA024-D	CNPV*3017A**	353AAV036080	23800	13.20	16.00	1
3047932	124ANA024-D	CNPV*3017A**	355(A,C)AV042060	23200	13.00	15.50	1
3047931	124ANA024-D	CNPV*3017A**+TDR		23400	12.00	14.00	1
3047913	124ANA024-D	CSPH*2412A**	313*AV024045	23200	13.00	15.50	1
3047966	124ANA024-D	CSPH*2412A**	315(A,J)AV036070	23200	13.00	15.50	1
3047967	124ANA024-D	CSPH*2412A**	315(A,J)AV048090	23200	13.00	15.50	1
3047968	124ANA024-D	CSPH*2412A**	315(A,J)AV060110	23200	13.00	15.50	1
3047969	124ANA024-D	CSPH*2412A**	315(A,J)AV066135	23200	13.00	15.50	1
3047970	124ANA024-D	CSPH*2412A**	315(A,J)AV066155	23200	13.00	15.50	1
3101998	124ANA024-D	CSPH*2412A**	353AAV036040	23200	13.00	15.75	1
3101999	124ANA024-D	CSPH*2412A**	353AAV036060	23200	13.00	15.75	1
3102000	124ANA024-D	CSPH*2412A**	353AAV036080	23200	13.00	15.75	1
3047960	124ANA024-D	CSPH*2412A**	355(A,C)AV042040	23200	13.00	15.50	1
3047961	124ANA024-D	CSPH*2412A**	355(A,C)AV042060	23200	13.00	15.50	1
3047962	124ANA024-D	CSPH*2412A**	355(A,C)AV042080	23200	13.00	15.50	1
3047963	124ANA024-D	CSPH*2412A**	355(A,C)AV060080	23000	13.00	15.50	1
3047964	124ANA024-D	CSPH*2412A**	355(A,C)AV060100	23200	13.00	15.50	1
3047965	124ANA024-D	CSPH*2412A**	355(A,C)AV060120	23200	13.00	15.50	1
3047959	124ANA024-D	CSPH*2412A**+TDR		23400	12.00	14.00	1
3047914	124ANA024-D	CSPH*3012A**	313*AV024045	23600	13.00	15.50	1
3047978	124ANA024-D	CSPH*3012A**	315(A,J)AV036070	23200	13.00	15.50	1
3047979	124ANA024-D	CSPH*3012A**	315(A,J)AV048090	23400	13.20	16.00	1
3047980	124ANA024-D	CSPH*3012A**	315(A,J)AV060110	23400	13.00	15.50	1
3047981	124ANA024-D	CSPH*3012A**	315(A,J)AV066135	23400	13.00	15.50	1
3047982	124ANA024-D	CSPH*3012A**	315(A,J)AV066155	23400	13.00	15.50	1
3102001	124ANA024-D	CSPH*3012A**	353AAV036040	23800	13.20	16.00	1
3102002	124ANA024-D	CSPH*3012A**	353AAV036060	23800	13.20	16.00	1
3102003	124ANA024-D	CSPH*3012A**	353AAV036080	23800	13.20	16.00	1
3047972	124ANA024-D	CSPH*3012A**	355(A,C)AV042040	23400	13.00	15.50	1
3047973	124ANA024-D	CSPH*3012A**	355(A,C)AV042060	23400	13.00	15.50	1
3047974	124ANA024-D	CSPH*3012A**	355(A,C)AV042080	23200	13.00	15.50	1
3047975	124ANA024-D	CSPH*3012A**	355(A,C)AV060080	23000	13.00	15.50	1
3047976	124ANA024-D	CSPH*3012A**	355(A,C)AV060100	23400	13.00	15.50	1
3047977	124ANA024-D	CSPH*3012A**	355(A,C)AV060120	23200	13.00	15.50	1
3047971	124ANA024-D	CSPH*3012A**+TDR		23600	12.00	14.00	1
3047988	124ANA024-D	FE4AN(B,F)003+UI		23600	13.20	16.00	1
3047987	124ANA024-D	FE4ANF002+UI		23400	13.20	16.00	1
3047989	124ANA024-D	FE5ANB004+UI		24200	13.20	16.00	1
3047992	124ANA024-D	FF1ENP024		23000	11.70	13.50	1
3047993	124ANA024-D	FF1ENP030		23000	11.70	13.50	1
3047991	124ANA024-D	FV4BN(B,F)003		23600	13.20	16.00	1
3047990	124ANA024-D	FV4BNF002		23400	13.20	16.00	1
3047985	124ANA024-D	FX4CNF024		23400	12.50	15.00	1
3047986	124ANA024-D	FX4CNF030		23600	13.00	15.50	1
3047983	124ANA024-D	FY4ANF024		23000	11.70	14.00	1
3047984	124ANA024-D	FY4ANF030		23200	12.00	14.00	1
3047994	124ANA030-D	*CAP**3014A**+TDR		29000	11.70	14.00	1
3048009	124ANA030-D	CAP**3014A**	315(A,J)AV036070	28800	12.50	15.00	1
3047995	124ANA030-D	CAP**3017A**	313*AV048070	29000	12.50	15.00	1
3048012	124ANA030-D	CAP**3017A**	315(A,J)AV048090	28800	12.50	15.50	1
3102020	124ANA030-D	CAP**3017A**	353AAV036040	29200	13.00	15.50	1
3102021	124ANA030-D	CAP**3017A**	353AAV036060	29200	13.00	15.50	1
3102022	124ANA030-D	CAP**3017A**	353AAV036080	29200	13.00	15.50	1
3102023	124ANA030-D	CAP**3017A**	353AAV048080	29200	12.50	15.00	1
3048011	124ANA030-D	CAP**3017A**	355(A,C)AV042060	28800	12.50	15.00	1
3048010	124ANA030-D	CAP**3017A**+TDR		29000	11.70	14.00	1
3048014	124ANA030-D	CAP**3614A**	315(A,J)AV036070	28800	12.50	15.00	1
3048013	124ANA030-D	CAP**3614A**+TDR		28200	11.70	14.00	1
3047996	124ANA030-D	CAP**3617A**	313*AV048070	29200	12.50	15.00	1
3048017	124ANA030-D	CAP**3617A**	315(A,J)AV048090	29000	13.00	15.50	1
3102024	124ANA030-D	CAP**3617A**	353AAV036040	29200	13.00	15.50	1

See notes on page 19

# COMBINATION RATINGS CONTINUED

ARI Ref. No.	Model Number	Indoor Model	Furnace Model	Capacity	EER	SEER	Phase
3102025	124ANA030-D	CAP**3617A**	353AAV036060	29200	13.00	15.50	1
3102026	124ANA030-D	CAP**3617A**	353AAV036080	29200	13.00	15.50	1
3102027	124ANA030-D	CAP**3617A**	353AAV048080	29200	13.00	15.50	1
3048016	124ANA030-D	CAP**3617A**	355(A,C)AV042060	28800	12.50	15.00	1
3048015	124ANA030-D	CAP**3617A**+TDR		29200	11.70	14.00	1
3047997	124ANA030-D	CAP**3621A**	313*AV048090	29400	13.00	15.50	1
3048022	124ANA030-D	CAP**3621A**	315(A,J)AV060110	29000	13.00	15.50	1
3048019	124ANA030-D	CAP**3621A**	355(A,C)AV042080	28800	12.50	15.50	1
3048020	124ANA030-D	CAP**3621A**	355(A,C)AV060080	29000	12.50	15.50	1
3048021	124ANA030-D	CAP**3621A**	355(A,C)AV060100	28800	12.50	15.50	1
3048018	124ANA030-D	CAP**3621A**+TDR		29200	11.70	14.00	1
3048060	124ANA030-D	CNPF*3618A**+TDR		29000	11.70	14.00	1
3048001	124ANA030-D	CNPH*3017A**	313*AV048070	29000	12.50	15.00	1
3048002	124ANA030-D	CNPH*3017A**	313*AV048090	29000	12.50	15.25	1
3048043	124ANA030-D	CNPH*3017A**	315(A,J)AV036070	28800	12.50	15.00	1
3048044	124ANA030-D	CNPH*3017A**	315(A,J)AV048090	28800	12.50	15.50	1
3048045	124ANA030-D	CNPH*3017A**	315(A,J)AV060110	29000	12.50	15.50	1
3048046	124ANA030-D	CNPH*3017A**	315(A,J)AV066135	29000	12.50	15.00	1
3048047	124ANA030-D	CNPH*3017A**	315(A,J)AV066155	29000	13.00	15.50	1
3102004	124ANA030-D	CNPH*3017A**	353AAV036040	29200	13.00	15.50	1
3102005	124ANA030-D	CNPH*3017A**	353AAV036060	29200	13.00	15.50	1
3102006	124ANA030-D	CNPH*3017A**	353AAV036080	29200	13.00	15.50	1
3102007	124ANA030-D	CNPH*3017A**	353AAV048080	29200	12.50	15.00	1
3048037	124ANA030-D	CNPH*3017A**	355(A,C)AV042040	28800	12.50	15.00	1
3048038	124ANA030-D	CNPH*3017A**	355(A,C)AV042060	28800	12.50	15.00	1
3048039	124ANA030-D	CNPH*3017A**	355(A,C)AV042080	28800	12.50	15.00	1
3048040	124ANA030-D	CNPH*3017A**	355(A,C)AV060080	28800	12.50	15.00	1
3048041	124ANA030-D	CNPH*3017A**	355(A,C)AV060100	28600	12.50	15.00	1
3048042	124ANA030-D	CNPH*3017A**	355(A,C)AV060120	28800	12.50	15.00	1
3048036	124ANA030-D	CNPH*3017A**+TDR		29000	11.70	14.00	1
3048003	124ANA030-D	CNPH*3617A**	313*AV048070	29000	12.50	15.00	1
3048004	124ANA030-D	CNPH*3617A**	313*AV048090	29000	12.50	15.25	1
3048055	124ANA030-D	CNPH*3617A**	315(A,J)AV036070	28800	12.50	15.00	1
3048056	124ANA030-D	CNPH*3617A**	315(A,J)AV048090	28800	12.50	15.50	1
3048057	124ANA030-D	CNPH*3617A**	315(A,J)AV060110	29000	12.50	15.50	1
3048058	124ANA030-D	CNPH*3617A**	315(A,J)AV066135	29000	12.50	15.50	1
3048059	124ANA030-D	CNPH*3617A**	315(A,J)AV066155	29000	13.00	15.50	1
3102008	124ANA030-D	CNPH*3617A**	353AAV036040	29200	13.00	15.50	1
3102009	124ANA030-D	CNPH*3617A**	353AAV036060	29200	13.00	15.50	1
3102010	124ANA030-D	CNPH*3617A**	353AAV036080	29200	13.00	15.50	1
3102011	124ANA030-D	CNPH*3617A**	353AAV048080	29200	12.50	15.00	1
3048049	124ANA030-D	CNPH*3617A**	355(A,C)AV042040	28800	12.50	15.00	1
3048050	124ANA030-D	CNPH*3617A**	355(A,C)AV042060	28800	12.50	15.00	1
3048051	124ANA030-D	CNPH*3617A**	355(A,C)AV042080	28800	12.50	15.00	1
3048052	124ANA030-D	CNPH*3617A**	355(A,C)AV060080	28800	12.50	15.00	1
3048053	124ANA030-D	CNPH*3617A**	355(A,C)AV060100	28600	12.50	15.00	1
3048054	124ANA030-D	CNPH*3617A**	355(A,C)AV060120	28800	12.50	15.00	1
3048048	124ANA030-D	CNPH*3617A**+TDR		29000	11.70	14.00	1
3048024	124ANA030-D	CNPV*3014A**	315(A,J)AV036070	28800	12.50	15.00	1
3048023	124ANA030-D	CNPV*3014A**+TDR		29000	11.70	14.00	1
3047998	124ANA030-D	CNPV*3017A**	313*AV048070	29000	12.50	15.00	1
3048027	124ANA030-D	CNPV*3017A**	315(A,J)AV048090	28800	12.50	15.50	1
3102028	124ANA030-D	CNPV*3017A**	353AAV036040	29200	13.00	15.50	1
3102029	124ANA030-D	CNPV*3017A**	353AAV036060	29200	13.00	15.50	1
3102030	124ANA030-D	CNPV*3017A**	353AAV036080	29200	13.00	15.50	1
3102031	124ANA030-D	CNPV*3017A**	353AAV048080	29200	12.50	15.00	1
3048026	124ANA030-D	CNPV*3017A**	355(A,C)AV042060	28800	12.50	15.00	1
3048025	124ANA030-D	CNPV*3017A**+TDR		29000	11.70	14.00	1
3047999	124ANA030-D	CNPV*3617A**	313*AV048070	29000	12.50	15.00	1
3048030	124ANA030-D	CNPV*3617A**	315(A,J)AV048090	28800	12.50	15.50	1
3102032	124ANA030-D	CNPV*3617A**	353AAV036040	29200	13.00	15.50	1
3102033	124ANA030-D	CNPV*3617A**	353AAV036060	29200	13.00	15.50	1
3102034	124ANA030-D	CNPV*3617A**	353AAV036080	29200	13.00	15.50	1
3102035	124ANA030-D	CNPV*3617A**	353AAV048080	29200	12.50	15.00	1
3048029	124ANA030-D	CNPV*3617A**	355(A,C)AV042060	28800	12.50	15.00	1
3048028	124ANA030-D	CNPV*3617A**+TDR		29000	11.70	14.00	1
3048000	124ANA030-D	CNPV*3621A**	313*AV048090	29000	12.50	15.25	1
3048035	124ANA030-D	CNPV*3621A**	315(A,J)AV060110	29000	12.50	15.50	1
3048032	124ANA030-D	CNPV*3621A**	355(A,C)AV042080	28800	12.50	15.00	1
3048033	124ANA030-D	CNPV*3621A**	355(A,C)AV060080	28800	12.50	15.00	1
3048034	124ANA030-D	CNPV*3621A**	355(A,C)AV060100	28600	12.50	15.00	1
3048031	124ANA030-D	CNPV*3621A**+TDR		29000	11.70	14.00	1
3048005	124ANA030-D	CSPH*3012A**	313*AV048070	29000	12.50	15.00	1
3048006	124ANA030-D	CSPH*3012A**	313*AV048090	29000	12.50	15.25	1
3048068	124ANA030-D	CSPH*3012A**	315(A,J)AV036070	29000	12.50	15.00	1
3048069	124ANA030-D	CSPH*3012A**	315(A,J)AV048090	29000	12.50	15.50	1
3048070	124ANA030-D	CSPH*3012A**	315(A,J)AV060110	29000	12.50	15.00	1
3048071	124ANA030-D	CSPH*3012A**	315(A,J)AV066135	29000	12.50	15.50	1
3048072	124ANA030-D	CSPH*3012A**	315(A,J)AV066155	29000	12.50	15.50	1
3102012	124ANA030-D	CSPH*3012A**	353AAV036040	29200	13.00	15.50	1
3102013	124ANA030-D	CSPH*3012A**	353AAV036060	29200	13.00	15.50	1
3102014	124ANA030-D	CSPH*3012A**	353AAV036080	29200	13.00	15.50	1
3102015	124ANA030-D	CSPH*3012A**	353AAV048080	29200	12.50	15.00	1
3048062	124ANA030-D	CSPH*3012A**	355(A,C)AV042040	28800	12.50	15.00	1
3048063	124ANA030-D	CSPH*3012A**	355(A,C)AV042060	28800	12.50	15.00	1
3048064	124ANA030-D	CSPH*3012A**	355(A,C)AV042080	28800	12.50	15.00	1
3048065	124ANA030-D	CSPH*3012A**	355(A,C)AV060080	29000	12.50	15.00	1
3048066	124ANA030-D	CSPH*3012A**	355(A,C)AV060100	28800	12.50	15.00	1
3048067	124ANA030-D	CSPH*3012A**	355(A,C)AV060120	28800	12.50	15.00	1

124A

See notes on page 19

# COMBINATION RATINGS CONTINUED

ARI Ref. No.	Model Number	Indoor Model	Furnace Model	Capacity	EER	SEER	Phase
3048061	124ANA030-D	CSPH*3012A**+TDR		29000	11.70	14.00	1
3048007	124ANA030-D	CSPH*3612A**	313*AV048070	29400	12.50	15.25	1
3048008	124ANA030-D	CSPH*3612A**	313*AV048090	29400	13.00	15.50	1
3048080	124ANA030-D	CSPH*3612A**	315(A,J)AV036070	29000	12.50	15.50	1
3048081	124ANA030-D	CSPH*3612A**	315(A,J)AV048090	29000	13.00	15.50	1
3048082	124ANA030-D	CSPH*3612A**	315(A,J)AV060110	29000	13.00	15.50	1
3048083	124ANA030-D	CSPH*3612A**	315(A,J)AV066135	29000	13.00	15.50	1
3048084	124ANA030-D	CSPH*3612A**	315(A,J)AV066155	29000	13.00	15.50	1
3102016	124ANA030-D	CSPH*3612A**	353AAV036040	29200	13.00	15.50	1
3102017	124ANA030-D	CSPH*3612A**	353AAV036060	29200	13.00	15.50	1
3102018	124ANA030-D	CSPH*3612A**	353AAV036080	29200	13.00	15.50	1
3102019	124ANA030-D	CSPH*3612A**	353AAV048080	29200	13.00	15.50	1
3048074	124ANA030-D	CSPH*3612A**	355(A,C)AV042040	29000	12.50	15.50	1
3048075	124ANA030-D	CSPH*3612A**	355(A,C)AV042060	29000	13.00	15.50	1
3048076	124ANA030-D	CSPH*3612A**	355(A,C)AV042080	29000	12.50	15.50	1
3048077	124ANA030-D	CSPH*3612A**	355(A,C)AV060080	29000	13.00	15.50	1
3048078	124ANA030-D	CSPH*3612A**	355(A,C)AV060100	29000	13.00	15.50	1
3048079	124ANA030-D	CSPH*3612A**	355(A,C)AV060120	29000	13.00	15.50	1
3048073	124ANA030-D	CSPH*3612A**+TDR		29200	11.70	14.00	1
3048089	124ANA030-D	FE4AN(B,F)003+UI		29200	13.00	15.50	1
3048090	124ANA030-D	FE4AN(B,F)005+UI		30000	13.20	16.00	1
3048088	124ANA030-D	FE4ANF002+UI		29000	12.50	15.50	1
3048091	124ANA030-D	FE5ANB004+UI		30200	13.20	16.00	1
3048092	124ANA030-D	FF1ENP030		28600	11.70	14.00	1
3048093	124ANA030-D	FF1ENP036		29200	11.70	14.00	1
3048095	124ANA030-D	FV4BN(B,F)003		29200	13.00	15.50	1
3048096	124ANA030-D	FV4BN(B,F)005		30000	13.20	16.00	1
3048094	124ANA030-D	FV4BNF002		29000	12.50	15.50	1
3048087	124ANA030-D	FX4CN(B,F)036		29400	12.20	14.50	1
3048086	124ANA030-D	FX4CNF030		29200	12.50	15.00	1
3048085	124ANA030-D	FY4ANF030		28800	11.70	14.00	1
3048097	124ANA030-D	FY4ANF036		29000	11.70	13.50	1
3048098	124ANA036-C	*CAP**4221A**+TDR		35800	12.00	14.00	1
3048099	124ANA036-C	CAP**3614A**	313*AV024045	35000	12.00	14.00	1
3048127	124ANA036-C	CAP**3614A**	315(A,J)AV036070	34000	12.50	14.50	1
3048126	124ANA036-C	CAP**3614A**+TDR		34400	12.00	14.00	1
3048100	124ANA036-C	CAP**3617A**	313*AV048070	35200	12.20	14.50	1
3048130	124ANA036-C	CAP**3617A**	315(A,J)AV048090	35000	12.50	15.00	1
3102040	124ANA036-C	CAP**3617A**	353AAV036040	35400	12.50	15.00	1
3102041	124ANA036-C	CAP**3617A**	353AAV036060	35400	12.50	15.00	1
3102042	124ANA036-C	CAP**3617A**	353AAV036080	35400	12.50	15.00	1
3102043	124ANA036-C	CAP**3617A**	353AAV048080	35400	12.50	15.00	1
3048129	124ANA036-C	CAP**3617A**	355(A,C)AV042060	35000	12.50	15.00	1
3048128	124ANA036-C	CAP**3617A**+TDR		35400	11.50	14.00	1
3048101	124ANA036-C	CAP**3621A**	313*AV048090	35600	12.75	15.00	1
3048102	124ANA036-C	CAP**3621A**	313*AV060110	35800	13.00	15.25	1
3048135	124ANA036-C	CAP**3621A**	315(A,J)AV060110	35200	13.00	15.00	1
3102044	124ANA036-C	CAP**3621A**	353AAV060100	35400	12.50	15.00	1
3048132	124ANA036-C	CAP**3621A**	355(A,C)AV042080	35000	12.50	14.50	1
3048133	124ANA036-C	CAP**3621A**	355(A,C)AV060080	35000	12.50	15.00	1
3048134	124ANA036-C	CAP**3621A**	355(A,C)AV060100	35200	13.00	15.00	1
3048131	124ANA036-C	CAP**3621A**+TDR		35400	11.50	14.00	1
3048103	124ANA036-C	CAP**4221A**	313*AV048090	35800	13.00	15.25	1
3048104	124ANA036-C	CAP**4221A**	313*AV060110	36000	13.00	15.25	1
3048139	124ANA036-C	CAP**4221A**	315(A,J)AV060110	35400	13.00	15.00	1
3102045	124ANA036-C	CAP**4221A**	353AAV060100	35400	12.50	15.00	1
3048136	124ANA036-C	CAP**4221A**	355(A,C)AV042080	35200	12.50	14.50	1
3048137	124ANA036-C	CAP**4221A**	355(A,C)AV060080	35400	12.50	15.00	1
3048138	124ANA036-C	CAP**4221A**	355(A,C)AV060100	35400	12.50	15.00	1
3048143	124ANA036-C	CAP**4224A**	315(A,J)AV066135	35400	13.00	15.00	1
3048141	124ANA036-C	CAP**4224A**	355(A,C)AV042040	35200	12.50	15.00	1
3048142	124ANA036-C	CAP**4224A**	355(A,C)AV060120	35400	13.00	15.00	1
3048140	124ANA036-C	CAP**4224A**+TDR		35800	12.00	14.00	1
3048161	124ANA036-C	CNPF*3618A**+TDR		35400	11.50	14.00	1
3048110	124ANA036-C	CNPH*3617A**	313*AV024045	35000	12.00	14.00	1
3048111	124ANA036-C	CNPH*3617A**	313*AV048070	35000	12.20	14.50	1
3048112	124ANA036-C	CNPH*3617A**	313*AV048090	35200	12.50	15.00	1
3048113	124ANA036-C	CNPH*3617A**	313*AV060110	35400	12.50	15.00	1
3048155	124ANA036-C	CNPH*3617A**	315(A,J)AV036070	35000	12.50	14.50	1
3102056	124ANA036-C	CNPH*3617A**	353AAV036040	35200	12.50	15.00	1
3102057	124ANA036-C	CNPH*3617A**	353AAV036060	35200	12.50	15.00	1
3102058	124ANA036-C	CNPH*3617A**	353AAV036080	35200	12.50	15.00	1
3102059	124ANA036-C	CNPH*3617A**	353AAV048080	35200	12.20	14.50	1
3102060	124ANA036-C	CNPH*3617A**	353AAV060100	35000	12.50	15.00	1
3048154	124ANA036-C	CNPH*3617A**	355(A,C)AV042040	34800	12.50	14.50	1
3048153	124ANA036-C	CNPH*3617A**+TDR		35400	11.50	14.00	1
3048114	124ANA036-C	CNPH*4221A**	313*AV024045	35400	12.20	14.50	1
3048115	124ANA036-C	CNPH*4221A**	313*AV048070	35400	12.50	15.00	1
3048116	124ANA036-C	CNPH*4221A**	313*AV048090	35600	13.00	15.25	1
3048117	124ANA036-C	CNPH*4221A**	313*AV060110	35800	13.00	15.25	1
3048158	124ANA036-C	CNPH*4221A**	315(A,J)AV036070	35200	13.00	15.00	1
3048159	124ANA036-C	CNPH*4221A**	315(A,J)AV066135	35200	13.00	15.50	1
3048160	124ANA036-C	CNPH*4221A**	315(A,J)AV066155	35200	13.00	15.50	1
3102061	124ANA036-C	CNPH*4221A**	353AAV036040	35400	12.50	15.00	1
3102062	124ANA036-C	CNPH*4221A**	353AAV036060	35400	12.50	15.00	1
3102063	124ANA036-C	CNPH*4221A**	353AAV036080	35400	12.50	15.00	1
3102064	124ANA036-C	CNPH*4221A**	353AAV048080	35400	12.50	15.00	1
3102065	124ANA036-C	CNPH*4221A**	353AAV060100	35400	12.50	15.00	1

See notes on page 19

# COMBINATION RATINGS CONTINUED

ARI Ref. No.	Model Number	Indoor Model	Furnace Model	Capacity	EER	SEER	Phase
3048157	124ANA036-C	CNPH*4221A**	355(A,C)AV042040	35200	13.00	15.00	1
3048156	124ANA036-C	CNPH*4221A**+TDR		35200	12.00	14.00	1
3048105	124ANA036-C	CNPV*3617A**	313*AV048070	35000	12.20	14.50	1
3048182	124ANA036-C	CNPV*3617A**	315(A,J)AV036070	35000	12.50	14.50	1
3048146	124ANA036-C	CNPV*3617A**	315(A,J)AV048090	35000	12.50	15.00	1
3102046	124ANA036-C	CNPV*3617A**	353AAV036040	35200	12.50	15.00	1
3102047	124ANA036-C	CNPV*3617A**	353AAV036060	35200	12.50	15.00	1
3102048	124ANA036-C	CNPV*3617A**	353AAV036080	35200	12.50	15.00	1
3102049	124ANA036-C	CNPV*3617A**	353AAV048080	35200	12.20	14.50	1
3048145	124ANA036-C	CNPV*3617A**	355(A,C)AV042060	35000	12.50	14.50	1
3048144	124ANA036-C	CNPV*3617A**+TDR		35400	11.90	14.00	1
3048106	124ANA036-C	CNPV*3621A**	313*AV048090	35200	12.50	15.00	1
3048107	124ANA036-C	CNPV*3621A**	313*AV060110	35400	12.50	15.00	1
3048149	124ANA036-C	CNPV*3621A**	315(A,J)AV060110	35000	12.50	15.00	1
3102050	124ANA036-C	CNPV*3621A**	353AAV060100	35000	12.50	15.00	1
3048148	124ANA036-C	CNPV*3621A**	355(A,C)AV042080	34800	12.50	14.50	1
3048147	124ANA036-C	CNPV*3621A**+TDR		35400	11.50	14.00	1
3102075	124ANA036-C	CNPV*4217A**	313*AV048070	35600	12.20	14.50	1
3102074	124ANA036-C	CNPV*4217A**	315(A,J)AV048090	35600	12.50	15.00	1
3102051	124ANA036-C	CNPV*4217A**	353AAV036040	35400	12.50	15.00	1
3102052	124ANA036-C	CNPV*4217A**	353AAV036060	35400	12.50	15.00	1
3102053	124ANA036-C	CNPV*4217A**	353AAV036080	35400	12.50	15.00	1
3102054	124ANA036-C	CNPV*4217A**	353AAV048080	35400	12.50	15.00	1
3102073	124ANA036-C	CNPV*4217A**	355(A,C)AV042060	35800	12.50	15.00	1
3102072	124ANA036-C	CNPV*4217A**+TDR		35800	12.00	14.00	1
3048108	124ANA036-C	CNPV*4221A**	313*AV048090	35600	13.00	15.25	1
3048109	124ANA036-C	CNPV*4221A**	313*AV060110	35800	13.00	15.25	1
3048152	124ANA036-C	CNPV*4221A**	315(A,J)AV060110	35400	13.00	15.50	1
3102055	124ANA036-C	CNPV*4221A**	353AAV060100	35400	12.50	15.00	1
3048151	124ANA036-C	CNPV*4221A**	355(A,C)AV042080	35200	13.00	15.00	1
3048150	124ANA036-C	CNPV*4221A**+TDR		35200	12.00	14.00	1
3048118	124ANA036-C	CSPH*3612A**	313*AV024045	35800	12.20	14.50	1
3048119	124ANA036-C	CSPH*3612A**	313*AV048070	35800	12.50	15.00	1
3048120	124ANA036-C	CSPH*3612A**	313*AV048090	35800	13.00	15.25	1
3048121	124ANA036-C	CSPH*3612A**	313*AV060110	35800	13.00	15.25	1
3048164	124ANA036-C	CSPH*3612A**	315(A,J)AV036070	35000	12.50	15.00	1
3102066	124ANA036-C	CSPH*3612A**	353AAV036040	35400	12.50	15.00	1
3102067	124ANA036-C	CSPH*3612A**	353AAV036060	35400	12.50	15.00	1
3102068	124ANA036-C	CSPH*3612A**	353AAV036080	35400	12.50	15.00	1
3102069	124ANA036-C	CSPH*3612A**	353AAV048080	35400	12.50	15.00	1
3102070	124ANA036-C	CSPH*3612A**	353AAV060100	35400	12.50	15.00	1
3048163	124ANA036-C	CSPH*3612A**	355(A,C)AV042040	35000	12.50	15.00	1
3048162	124ANA036-C	CSPH*3612A**+TDR		35400	12.00	14.00	1
3048122	124ANA036-C	CSPH*4212A**	313*AV024045	36000	12.20	14.50	1
3048123	124ANA036-C	CSPH*4212A**	313*AV048070	36000	12.50	15.00	1
3048124	124ANA036-C	CSPH*4212A**	313*AV048090	36000	13.00	15.25	1
3048125	124ANA036-C	CSPH*4212A**	313*AV060110	36000	13.00	15.25	1
3048168	124ANA036-C	CSPH*4212A**	315(A,J)AV036070	35200	12.50	15.00	1
3102071	124ANA036-C	CSPH*4212A**	353AAV036040	35400	12.50	15.00	1
3102036	124ANA036-C	CSPH*4212A**	353AAV036060	35400	12.50	15.00	1
3102037	124ANA036-C	CSPH*4212A**	353AAV036080	35400	12.50	15.00	1
3102038	124ANA036-C	CSPH*4212A**	353AAV048080	35400	12.50	15.00	1
3102039	124ANA036-C	CSPH*4212A**	353AAV060100	35400	12.50	15.00	1
3048166	124ANA036-C	CSPH*4212A**	355(A,C)AV042040	35200	12.50	15.00	1
3048167	124ANA036-C	CSPH*4212A**	355(A,C)AV060120	35200	12.50	15.00	1
3048165	124ANA036-C	CSPH*4212A**+TDR		35200	12.00	14.00	1
3048174	124ANA036-C	FE4AN(B,F)003+UI		35400	13.00	15.50	1
3048175	124ANA036-C	FE4AN(B,F)005+UI		36800	13.00	15.50	1
3048176	124ANA036-C	FE4ANB006+UI		37000	13.50	16.00	1
3048173	124ANA036-C	FE4ANF002+UI		35200	12.50	15.00	1
3048177	124ANA036-C	FF1ENP036		35000	12.00	14.00	1
3048179	124ANA036-C	FV4BN(B,F)003		35400	13.00	15.00	1
3048180	124ANA036-C	FV4BN(B,F)005		36600	13.00	15.50	1
3048181	124ANA036-C	FV4BNB006		37000	13.50	16.00	1
3048178	124ANA036-C	FV4BNF002		35200	12.50	15.00	1
3048171	124ANA036-C	FX4CN(B,F)036		36000	12.50	15.00	1
3048172	124ANA036-C	FX4CN(B,F)042		36600	13.00	15.00	1
3048169	124ANA036-C	FY4ANF036		34800	11.50	14.00	1
3048170	124ANA036-C	FY4ANF042		36000	12.00	14.00	1
3048183	124ANA042-D	*CAP**4821A**+TDR		40000	12.00	14.00	1
3048184	124ANA042-D	CAP**4221A**	313*AV048090	39500	12.50	15.00	1
3048185	124ANA042-D	CAP**4221A**	313*AV060110	39500	12.50	15.00	1
3048216	124ANA042-D	CAP**4221A**	315(A,J)AV060110	39500	12.50	15.00	1
3102080	124ANA042-D	CAP**4221A**	353AAV060100	39500	12.50	15.00	1
3048213	124ANA042-D	CAP**4221A**	355(A,C)AV042080	39000	12.20	14.50	1
3048214	124ANA042-D	CAP**4221A**	355(A,C)AV060080	39000	12.20	14.50	1
3048215	124ANA042-D	CAP**4221A**	355(A,C)AV060100	39000	12.50	14.50	1
3048212	124ANA042-D	CAP**4221A**+TDR		39500	11.70	13.50	1
3048186	124ANA042-D	CAP**4224A**	313*AV060135	39500	12.50	15.00	1
3048220	124ANA042-D	CAP**4224A**	315(A,J)AV066135	39500	12.50	15.00	1
3048221	124ANA042-D	CAP**4224A**	315(A,J)AV066155	39500	12.50	15.00	1
3102081	124ANA042-D	CAP**4224A**	353AAV060120	40000	12.50	15.00	1
3048218	124ANA042-D	CAP**4224A**	355(A,C)AV042040	39000	12.20	14.50	1
3048219	124ANA042-D	CAP**4224A**	355(A,C)AV060120	39000	12.20	14.50	1
3048217	124ANA042-D	CAP**4224A**+TDR		39500	11.70	13.50	1
3048187	124ANA042-D	CAP**4817A**	313*AV048070	40000	12.20	14.50	1
3048224	124ANA042-D	CAP**4817A**	315(A,J)AV048090	40000	12.50	15.00	1
3102082	124ANA042-D	CAP**4817A**	353AAV048080	40000	12.20	14.50	1

See notes on page 19

# COMBINATION RATINGS CONTINUED

ARI Ref. No.	Model Number	Indoor Model	Furnace Model	Capacity	EER	SEER	Phase
3048223	124ANA042-D	CAP**4817A**	355(A,C)AV042060	40000	12.20	14.50	1
3048222	124ANA042-D	CAP**4817A**+TDR		40000	12.00	14.00	1
3048188	124ANA042-D	CAP**4821A**	313*AV048090	40000	12.75	15.00	1
3048189	124ANA042-D	CAP**4821A**	313*AV060110	40000	13.00	15.25	1
3048228	124ANA042-D	CAP**4821A**	315(A,J)AV060110	40000	12.50	15.00	1
3102083	124ANA042-D	CAP**4821A**	353AAV060100	40000	12.50	15.00	1
3048225	124ANA042-D	CAP**4821A**	355(A,C)AV042080	39500	12.20	14.50	1
3048226	124ANA042-D	CAP**4821A**	355(A,C)AV060080	39500	12.20	14.50	1
3048227	124ANA042-D	CAP**4821A**	355(A,C)AV060100	39500	12.50	14.50	1
3048190	124ANA042-D	CAP**4824A**	313*AV060135	40000	13.00	15.00	1
3048232	124ANA042-D	CAP**4824A**	315(A,J)AV066135	40000	12.50	15.00	1
3048233	124ANA042-D	CAP**4824A**	315(A,J)AV066155	40000	12.50	15.00	1
3102084	124ANA042-D	CAP**4824A**	353AAV060120	40000	12.50	15.00	1
3048230	124ANA042-D	CAP**4824A**	355(A,C)AV042040	39500	12.20	14.50	1
3048231	124ANA042-D	CAP**4824A**	355(A,C)AV060120	40000	12.50	15.00	1
3048229	124ANA042-D	CAP**4824A**+TDR		40000	12.00	14.00	1
3048273	124ANA042-D	CNPF*4818A**+TDR		40000	12.00	14.00	1
3048196	124ANA042-D	CNPH*4221A**	313*AV048070	39000	12.00	14.00	1
3048197	124ANA042-D	CNPH*4221A**	313*AV048090	39500	12.50	15.00	1
3048198	124ANA042-D	CNPH*4221A**	313*AV060110	39500	12.50	15.00	1
3048199	124ANA042-D	CNPH*4221A**	313*AV060135	39500	12.50	15.00	1
3048256	124ANA042-D	CNPH*4221A**	315(A,J)AV036070	39000	12.00	14.00	1
3048257	124ANA042-D	CNPH*4221A**	315(A,J)AV048090	39500	12.20	14.50	1
3048258	124ANA042-D	CNPH*4221A**	315(A,J)AV060110	39500	12.20	14.50	1
3048259	124ANA042-D	CNPH*4221A**	315(A,J)AV066135	39500	12.50	15.00	1
3048260	124ANA042-D	CNPH*4221A**	315(A,J)AV066155	39500	12.50	15.00	1
3102089	124ANA042-D	CNPH*4221A**	353AAV048080	39500	12.20	14.50	1
3102090	124ANA042-D	CNPH*4221A**	353AAV060100	39500	12.20	14.50	1
3102091	124ANA042-D	CNPH*4221A**	353AAV060120	39500	12.50	15.00	1
3048250	124ANA042-D	CNPH*4221A**	355(A,C)AV042040	39000	12.00	14.00	1
3048251	124ANA042-D	CNPH*4221A**	355(A,C)AV042060	39000	12.20	14.50	1
3048252	124ANA042-D	CNPH*4221A**	355(A,C)AV042080	39000	12.00	14.00	1
3048253	124ANA042-D	CNPH*4221A**	355(A,C)AV060080	39000	12.20	14.50	1
3048254	124ANA042-D	CNPH*4221A**	355(A,C)AV060100	39000	12.20	14.50	1
3048255	124ANA042-D	CNPH*4221A**	355(A,C)AV060120	39000	12.20	14.50	1
3048249	124ANA042-D	CNPH*4221A**+TDR		39500	11.70	13.50	1
3048200	124ANA042-D	CNPH*4821A**	313*AV048070	40000	12.20	14.50	1
3048201	124ANA042-D	CNPH*4821A**	313*AV048090	40000	13.00	15.25	1
3048202	124ANA042-D	CNPH*4821A**	313*AV060110	40500	13.00	15.25	1
3048203	124ANA042-D	CNPH*4821A**	313*AV060135	40500	13.00	15.25	1
3048268	124ANA042-D	CNPH*4821A**	315(A,J)AV036070	40000	12.20	14.50	1
3048269	124ANA042-D	CNPH*4821A**	315(A,J)AV048090	40000	12.50	15.00	1
3048270	124ANA042-D	CNPH*4821A**	315(A,J)AV060110	40000	12.50	15.00	1
3048271	124ANA042-D	CNPH*4821A**	315(A,J)AV066135	40000	12.50	15.00	1
3048272	124ANA042-D	CNPH*4821A**	315(A,J)AV066155	40000	13.00	15.50	1
3102092	124ANA042-D	CNPH*4821A**	353AAV048080	40000	12.20	14.50	1
3102093	124ANA042-D	CNPH*4821A**	353AAV060100	40000	12.50	15.00	1
3102094	124ANA042-D	CNPH*4821A**	353AAV060120	40000	12.50	15.00	1
3048262	124ANA042-D	CNPH*4821A**	355(A,C)AV042040	39500	12.20	14.50	1
3048263	124ANA042-D	CNPH*4821A**	355(A,C)AV042060	40000	12.50	15.00	1
3048264	124ANA042-D	CNPH*4821A**	355(A,C)AV042080	39500	12.20	14.50	1
3048265	124ANA042-D	CNPH*4821A**	355(A,C)AV060080	39500	12.20	14.50	1
3048266	124ANA042-D	CNPH*4821A**	355(A,C)AV060100	39500	12.50	15.00	1
3048267	124ANA042-D	CNPH*4821A**	355(A,C)AV060120	40000	12.50	15.00	1
3048261	124ANA042-D	CNPH*4821A**+TDR		40000	12.00	14.00	1
3102079	124ANA042-D	CNPV*4217A**	313*AV048070	39500	12.00	14.00	1
3102078	124ANA042-D	CNPV*4217A**	315(A,J)AV048090	39500	12.20	14.50	1
3102085	124ANA042-D	CNPV*4217A**	353AAV048080	39500	12.20	14.50	1
3102077	124ANA042-D	CNPV*4217A**	355(A,C)AV042060	40000	12.20	14.50	1
3102076	124ANA042-D	CNPV*4217A**+TDR		40000	12.00	14.00	1
3048191	124ANA042-D	CNPV*4221A**	313*AV048090	39500	12.50	15.00	1
3048192	124ANA042-D	CNPV*4221A**	313*AV060110	39500	12.50	15.00	1
3048238	124ANA042-D	CNPV*4221A**	315(A,J)AV060110	39500	12.20	14.50	1
3102086	124ANA042-D	CNPV*4221A**	353AAV060100	39500	12.20	14.50	1
3048235	124ANA042-D	CNPV*4221A**	355(A,C)AV042080	39000	12.00	14.00	1
3048236	124ANA042-D	CNPV*4221A**	355(A,C)AV060080	39000	12.20	14.50	1
3048237	124ANA042-D	CNPV*4221A**	355(A,C)AV060100	39000	12.20	14.50	1
3048234	124ANA042-D	CNPV*4221A**+TDR		39500	11.70	13.50	1
3048193	124ANA042-D	CNPV*4821A**	313*AV048090	40000	13.00	15.00	1
3048194	124ANA042-D	CNPV*4821A**	313*AV060110	40500	13.00	15.25	1
3048243	124ANA042-D	CNPV*4821A**	315(A,J)AV060110	40000	12.50	15.00	1
3102101	124ANA042-D	CNPV*4821A**	353AAV048080	40000	12.50	15.00	1
3102087	124ANA042-D	CNPV*4821A**	353AAV060100	40000	12.50	15.00	1
3048240	124ANA042-D	CNPV*4821A**	355(A,C)AV042080	39500	12.20	14.50	1
3048241	124ANA042-D	CNPV*4821A**	355(A,C)AV060080	39500	12.20	14.50	1
3048242	124ANA042-D	CNPV*4821A**	355(A,C)AV060100	39500	12.50	15.00	1
3048239	124ANA042-D	CNPV*4821A**+TDR		40000	12.00	14.00	1
3048195	124ANA042-D	CNPV*4824A**	313*AV060135	40500	13.00	15.25	1
3048247	124ANA042-D	CNPV*4824A**	315(A,J)AV066135	40000	12.50	15.00	1
3048248	124ANA042-D	CNPV*4824A**	315(A,J)AV066155	40000	12.50	15.00	1
3102088	124ANA042-D	CNPV*4824A**	353AAV060120	40000	12.50	15.00	1
3048245	124ANA042-D	CNPV*4824A**	355(A,C)AV042040	39500	12.20	14.50	1
3048246	124ANA042-D	CNPV*4824A**	355(A,C)AV060120	40000	12.50	15.00	1
3048244	124ANA042-D	CNPV*4824A**+TDR		40000	12.00	14.00	1
3048204	124ANA042-D	CSPH*4212A**	313*AV048070	40000	12.20	14.50	1
3048205	124ANA042-D	CSPH*4212A**	313*AV048090	40000	13.00	15.00	1
3048206	124ANA042-D	CSPH*4212A**	313*AV060110	40000	13.00	15.25	1
3048207	124ANA042-D	CSPH*4212A**	313*AV060135	40000	13.00	15.25	1
3048281	124ANA042-D	CSPH*4212A**	315(A,J)AV036070	39500	12.20	14.50	1

See notes on page 19



# COMBINATION RATINGS CONTINUED

ARI Ref. No.	Model Number	Indoor Model	Furnace Model	Capacity	EER	SEER	Phase
3048282	124ANA042-D	CSPH*4212A**	315(A,J)AV048090	39500	12.50	15.00	1
3048283	124ANA042-D	CSPH*4212A**	315(A,J)AV060110	39500	12.20	15.00	1
3048284	124ANA042-D	CSPH*4212A**	315(A,J)AV066135	39500	12.50	15.00	1
3048285	124ANA042-D	CSPH*4212A**	315(A,J)AV066155	39500	12.50	15.00	1
3102095	124ANA042-D	CSPH*4212A**	353AAV048080	40000	12.20	14.50	1
3102096	124ANA042-D	CSPH*4212A**	353AAV060100	39500	12.50	15.00	1
3102097	124ANA042-D	CSPH*4212A**	353AAV060120	40000	12.50	15.00	1
3048275	124ANA042-D	CSPH*4212A**	355(A,C)AV042040	39000	12.20	14.50	1
3048276	124ANA042-D	CSPH*4212A**	355(A,C)AV042060	39000	12.20	14.50	1
3048277	124ANA042-D	CSPH*4212A**	355(A,C)AV042080	39000	12.20	14.50	1
3048278	124ANA042-D	CSPH*4212A**	355(A,C)AV060080	39000	12.20	14.50	1
3048279	124ANA042-D	CSPH*4212A**	355(A,C)AV060100	39000	12.20	14.50	1
3048280	124ANA042-D	CSPH*4212A**	355(A,C)AV060120	39000	12.50	14.50	1
3048274	124ANA042-D	CSPH*4212A**+TDR		40000	12.00	14.00	1
3048208	124ANA042-D	CSPH*4812A**	313*AV048070	40000	12.20	14.50	1
3048209	124ANA042-D	CSPH*4812A**	313*AV048090	40500	13.00	15.00	1
3048210	124ANA042-D	CSPH*4812A**	313*AV060110	40500	13.00	15.25	1
3048211	124ANA042-D	CSPH*4812A**	313*AV060135	40500	13.00	15.00	1
3048293	124ANA042-D	CSPH*4812A**	315(A,J)AV036070	40000	12.20	14.50	1
3048294	124ANA042-D	CSPH*4812A**	315(A,J)AV048090	40000	12.50	15.00	1
3048295	124ANA042-D	CSPH*4812A**	315(A,J)AV060110	40000	12.50	15.00	1
3048296	124ANA042-D	CSPH*4812A**	315(A,J)AV066135	40000	12.50	15.00	1
3048297	124ANA042-D	CSPH*4812A**	315(A,J)AV066155	40000	13.00	15.50	1
3102098	124ANA042-D	CSPH*4812A**	353AAV048080	40000	12.20	14.50	1
3102099	124ANA042-D	CSPH*4812A**	353AAV060100	40000	12.50	15.00	1
3102100	124ANA042-D	CSPH*4812A**	353AAV060120	40000	12.50	15.00	1
3048287	124ANA042-D	CSPH*4812A**	355(A,C)AV042040	40000	12.20	14.50	1
3048288	124ANA042-D	CSPH*4812A**	355(A,C)AV042060	40000	12.20	14.50	1
3048289	124ANA042-D	CSPH*4812A**	355(A,C)AV042080	40000	12.20	14.50	1
3048290	124ANA042-D	CSPH*4812A**	355(A,C)AV060080	40000	12.20	14.50	1
3048291	124ANA042-D	CSPH*4812A**	355(A,C)AV060100	40000	12.50	15.00	1
3048292	124ANA042-D	CSPH*4812A**	355(A,C)AV060120	40000	12.50	15.00	1
3048286	124ANA042-D	CSPH*4812A**+TDR		40000	12.00	14.00	1
3048302	124ANA042-D	FE4AN(B,F)003+UI		39500	12.50	15.00	1
3048303	124ANA042-D	FE4AN(B,F)005+UI		41000	13.00	15.50	1
3048304	124ANA042-D	FE4ANB006+UI		41000	13.50	15.50	1
3048305	124ANA042-D	FE5ANB004+UI		41000	13.50	16.00	1
3048306	124ANA042-D	FV4BN(B,F)003		39500	12.50	15.00	1
3048307	124ANA042-D	FV4BN(B,F)005		41000	13.00	15.50	1
3048308	124ANA042-D	FV4BNB006		41000	13.50	15.50	1
3048300	124ANA042-D	FX4CN(B,F)042		40500	12.50	14.50	1
3048301	124ANA042-D	FX4CN(B,F)048		41500	13.00	15.00	1
3048298	124ANA042-D	FY4ANF042		40000	11.70	13.50	1
3048299	124ANA042-D	FY4ANF048		40500	11.70	13.50	1
3048309	124ANA048-C	*CAP**6024A**+TDR		48000	11.50	14.00	1
3048310	124ANA048-C	CAP**4817A**	313*AV048070	46500	11.00	13.00	1
3048338	124ANA048-C	CAP**4817A**	315(A,J)AV048090	46000	11.50	14.20	1
3102102	124ANA048-C	CAP**4817A**	353AAV048080	47000	11.70	13.50	1
3048337	124ANA048-C	CAP**4817A**+TDR		46500	11.20	13.50	1
3048311	124ANA048-C	CAP**4821A**	313*AV048090	46500	11.70	14.00	1
3048312	124ANA048-C	CAP**4821A**	313*AV060110	46500	12.00	14.50	1
3048342	124ANA048-C	CAP**4821A**	315(A,J)AV060110	46500	12.00	14.20	1
3102103	124ANA048-C	CAP**4821A**	353AAV060100	46500	12.00	14.00	1
3048340	124ANA048-C	CAP**4821A**	355(A,C)AV060080	46500	11.50	14.20	1
3048341	124ANA048-C	CAP**4821A**	355(A,C)AV060100	46500	11.50	14.20	1
3048339	124ANA048-C	CAP**4821A**+TDR		47500	11.20	13.50	1
3048313	124ANA048-C	CAP**4824A**	313*AV060135	46500	12.00	14.00	1
3048345	124ANA048-C	CAP**4824A**	315(A,J)AV066135	47000	12.00	14.50	1
3048346	124ANA048-C	CAP**4824A**	315(A,J)AV066155	47000	12.00	14.50	1
3102104	124ANA048-C	CAP**4824A**	353AAV060120	47000	12.20	14.50	1
3048344	124ANA048-C	CAP**4824A**	355(A,C)AV060120	46500	11.50	14.20	1
3048343	124ANA048-C	CAP**4824A**+TDR		47500	11.20	13.50	1
3048314	124ANA048-C	CAP**6021A**	313*AV048090	48000	12.20	14.50	1
3048315	124ANA048-C	CAP**6021A**	313*AV060110	48000	12.50	15.00	1
3048350	124ANA048-C	CAP**6021A**	315(A,J)AV060110	47000	12.00	14.50	1
3102105	124ANA048-C	CAP**6021A**	353AAV060100	47000	12.20	14.50	1
3048348	124ANA048-C	CAP**6021A**	355(A,C)AV060080	46500	12.00	14.20	1
3048349	124ANA048-C	CAP**6021A**	355(A,C)AV060100	46500	12.00	14.50	1
3048347	124ANA048-C	CAP**6021A**+TDR		47000	11.50	14.00	1
3048316	124ANA048-C	CAP**6024A**	313*AV060135	47500	12.20	14.50	1
3048352	124ANA048-C	CAP**6024A**	315(A,J)AV066135	48000	12.00	14.50	1
3048353	124ANA048-C	CAP**6024A**	315(A,J)AV066155	48000	12.50	15.00	1
3102106	124ANA048-C	CAP**6024A**	353AAV060120	47000	12.20	14.50	1
3048351	124ANA048-C	CAP**6024A**	355(A,C)AV060120	47500	12.00	14.50	1
3048372	124ANA048-C	CNPF*4818A**+TDR		45500	11.20	13.50	1
3048321	124ANA048-C	CNPH*4821A**	313*AV048070	46500	11.00	13.00	1
3048322	124ANA048-C	CNPH*4821A**	313*AV048090	47000	12.00	14.50	1
3048323	124ANA048-C	CNPH*4821A**	313*AV060110	47000	12.20	14.50	1
3048324	124ANA048-C	CNPH*4821A**	313*AV060135	47000	12.00	14.50	1
3048368	124ANA048-C	CNPH*4821A**	315(A,J)AV048090	46000	12.00	14.20	1
3102110	124ANA048-C	CNPH*4821A**	353AAV048080	47000	11.70	13.50	1
3102111	124ANA048-C	CNPH*4821A**	353AAV060100	46500	12.00	14.00	1
3102112	124ANA048-C	CNPH*4821A**	353AAV060120	47000	12.20	14.50	1
3048367	124ANA048-C	CNPH*4821A**	355(A,C)AV060080	45500	11.50	14.20	1
3048366	124ANA048-C	CNPH*4821A**+TDR		46500	11.20	13.50	1
3048325	124ANA048-C	CNPH*6024A**	313*AV048070	47500	11.20	13.50	1
3048326	124ANA048-C	CNPH*6024A**	313*AV048090	48000	12.20	14.50	1
3048327	124ANA048-C	CNPH*6024A**	313*AV060110	48000	12.50	15.00	1

124A

See notes on page 19

# COMBINATION RATINGS CONTINUED

124A

ARI Ref. No.	Model Number	Indoor Model	Furnace Model	Capacity	EER	SEER	Phase
3048328	124ANA048-C	CNPH*6024A**	313*AV060135	48000	12.20	14.75	1
3048371	124ANA048-C	CNPH*6024A**	315(A,J)AV048090	46500	12.00	14.50	1
3102113	124ANA048-C	CNPH*6024A**	353AAV048080	47000	12.00	14.00	1
3102114	124ANA048-C	CNPH*6024A**	353AAV060100	47000	12.20	14.50	1
3102115	124ANA048-C	CNPH*6024A**	353AAV060120	47000	12.20	14.50	1
3048370	124ANA048-C	CNPH*6024A**	355(A,C)AV060080	46500	12.00	14.20	1
3048369	124ANA048-C	CNPH*6024A**+TDR		46500	11.50	14.00	1
3048317	124ANA048-C	CNPV*4821A**	313*AV048090	47000	12.00	14.00	1
3048318	124ANA048-C	CNPV*4821A**	313*AV060110	47000	12.20	14.50	1
3048387	124ANA048-C	CNPV*4821A**	315(A,J)AV048090	46500	12.00	14.00	1
3048357	124ANA048-C	CNPV*4821A**	315(A,J)AV060110	46000	12.00	14.20	1
3102107	124ANA048-C	CNPV*4821A**	353AAV060100	46500	12.00	14.00	1
3048355	124ANA048-C	CNPV*4821A**	355(A,C)AV060080	45500	11.50	14.20	1
3048356	124ANA048-C	CNPV*4821A**	355(A,C)AV060100	46000	12.00	14.20	1
3048354	124ANA048-C	CNPV*4821A**+TDR		46500	11.20	13.50	1
3048319	124ANA048-C	CNPV*4824A**	313*AV060135	47000	12.00	14.50	1
3048360	124ANA048-C	CNPV*4824A**	315(A,J)AV066135	46000	12.00	14.50	1
3048361	124ANA048-C	CNPV*4824A**	315(A,J)AV066155	46000	12.00	14.50	1
3102108	124ANA048-C	CNPV*4824A**	353AAV060120	47000	12.20	14.50	1
3048359	124ANA048-C	CNPV*4824A**	355(A,C)AV060120	45500	12.00	14.50	1
3048358	124ANA048-C	CNPV*4824A**+TDR		46500	11.20	13.50	1
3048320	124ANA048-C	CNPV*6024A**	313*AV060135	48000	12.20	14.75	1
3048364	124ANA048-C	CNPV*6024A**	315(A,J)AV066135	46500	12.00	14.50	1
3048365	124ANA048-C	CNPV*6024A**	315(A,J)AV066155	46500	12.50	15.00	1
3102109	124ANA048-C	CNPV*6024A**	353AAV060120	47000	12.20	14.50	1
3048363	124ANA048-C	CNPV*6024A**	355(A,C)AV060120	46000	12.00	14.50	1
3048362	124ANA048-C	CNPV*6024A**+TDR		47000	11.50	14.00	1
3048329	124ANA048-C	CSPH*4812A**	313*AV048070	46500	11.00	13.00	1
3048330	124ANA048-C	CSPH*4812A**	313*AV048090	47000	12.00	14.00	1
3048331	124ANA048-C	CSPH*4812A**	313*AV060110	47000	12.20	14.50	1
3048332	124ANA048-C	CSPH*4812A**	313*AV060135	47000	12.00	14.00	1
3048375	124ANA048-C	CSPH*4812A**	315(A,J)AV048090	45500	12.00	14.20	1
3102116	124ANA048-C	CSPH*4812A**	353AAV048080	47000	11.70	13.50	1
3102117	124ANA048-C	CSPH*4812A**	353AAV060100	46500	12.00	14.00	1
3102118	124ANA048-C	CSPH*4812A**	353AAV060120	47000	12.20	14.50	1
3048374	124ANA048-C	CSPH*4812A**	355(A,C)AV060080	45500	11.50	14.20	1
3048373	124ANA048-C	CSPH*4812A**+TDR		46500	11.20	13.50	1
3048333	124ANA048-C	CSPH*6012A**	313*AV048070	47500	11.20	13.50	1
3048334	124ANA048-C	CSPH*6012A**	313*AV048090	48000	12.20	14.50	1
3048335	124ANA048-C	CSPH*6012A**	313*AV060110	48000	12.50	15.00	1
3048336	124ANA048-C	CSPH*6012A**	313*AV060135	48000	12.20	15.00	1
3048378	124ANA048-C	CSPH*6012A**	315(A,J)AV048090	46500	12.00	14.50	1
3102119	124ANA048-C	CSPH*6012A**	353AAV048080	47000	12.00	14.00	1
3102120	124ANA048-C	CSPH*6012A**	353AAV060100	47000	12.20	14.50	1
3102121	124ANA048-C	CSPH*6012A**	353AAV060120	47000	12.20	14.50	1
3048377	124ANA048-C	CSPH*6012A**	355(A,C)AV060080	46000	12.00	14.20	1
3048376	124ANA048-C	CSPH*6012A**+TDR		47000	11.50	14.00	1
3048383	124ANA048-C	FE4AN(B,F)005+UI		48000	12.50	15.00	1
3048384	124ANA048-C	FE4ANB006+UI		48500	12.50	15.00	1
3048385	124ANA048-C	FV4BN(B,F)005		48000	12.50	15.00	1
3048386	124ANA048-C	FV4BNB006		48500	12.50	15.00	1
3048381	124ANA048-C	FX4CN(B,F)048		48500	12.00	14.50	1
3048382	124ANA048-C	FX4CN(B,F)060		49500	12.50	14.70	1
3048380	124ANA048-C	FY4ANB060		48500	11.50	14.00	1
3048379	124ANA048-C	FY4ANF048		47500	11.20	13.50	1
3048388	124ANA060-C	*CAP**6024A**+TDR		59000	12.00	14.00	1
3048389	124ANA060-C	CAP**6021A**	313*AV048090	57500	12.20	14.50	1
3048390	124ANA060-C	CAP**6021A**	313*AV060110	57500	12.20	14.50	1
3102122	124ANA060-C	CAP**6021A**	353AAV060100	57500	12.00	14.00	1
3048400	124ANA060-C	CAP**6021A**	355(A,C)AV060080	55500	12.00	14.20	1
3048399	124ANA060-C	CAP**6021A**+TDR		58000	11.50	14.00	1
3048391	124ANA060-C	CAP**6024A**	313*AV060135	57500	12.20	14.50	1
3048401	124ANA060-C	CAP**6024A**	315(A,J)AV066135	58000	12.00	14.50	1
3048402	124ANA060-C	CAP**6024A**	315(A,J)AV066155	58000	12.00	14.50	1
3102123	124ANA060-C	CAP**6024A**	353AAV060120	57500	12.20	14.50	1
3048393	124ANA060-C	CNPH*6024A**	313*AV048090	57000	12.00	14.00	1
3048394	124ANA060-C	CNPH*6024A**	313*AV060110	57500	12.20	14.50	1
3048395	124ANA060-C	CNPH*6024A**	313*AV060135	57500	12.20	14.50	1
3048411	124ANA060-C	CNPH*6024A**	315(A,J)AV060110	57500	12.00	14.20	1
3048412	124ANA060-C	CNPH*6024A**	315(A,J)AV066135	57500	12.00	14.50	1
3048413	124ANA060-C	CNPH*6024A**	315(A,J)AV066155	58000	12.00	14.50	1
3102125	124ANA060-C	CNPH*6024A**	353AAV048080	57000	12.00	14.00	1
3102126	124ANA060-C	CNPH*6024A**	353AAV060100	57000	12.00	14.00	1
3102127	124ANA060-C	CNPH*6024A**	353AAV060120	57500	12.20	14.50	1
3048408	124ANA060-C	CNPH*6024A**	355(A,C)AV060080	55500	12.00	14.20	1
3048409	124ANA060-C	CNPH*6024A**	355(A,C)AV060100	55500	12.00	14.50	1
3048410	124ANA060-C	CNPH*6024A**	355(A,C)AV060120	55500	12.00	14.50	1
3048407	124ANA060-C	CNPH*6024A**+TDR		58000	12.00	14.00	1
3150607	124ANA060-C	CNPV*6024A**	313*AV060110	57500	12.00	14.50	1
3048392	124ANA060-C	CNPV*6024A**	313*AV060135	57500	12.20	14.50	1
3048425	124ANA060-C	CNPV*6024A**	315(A,J)AV060110	57500	12.00	14.00	1
3048405	124ANA060-C	CNPV*6024A**	315(A,J)AV066135	57500	12.00	14.50	1
3048406	124ANA060-C	CNPV*6024A**	315(A,J)AV066155	58000	12.00	14.50	1
3102124	124ANA060-C	CNPV*6024A**	353AAV060120	57500	12.20	14.50	1
3048404	124ANA060-C	CNPV*6024A**	355(A,C)AV060120	55500	12.00	14.50	1
3048403	124ANA060-C	CNPV*6024A**+TDR		58000	12.00	14.00	1
3048396	124ANA060-C	CSPH*6012A**	313*AV048090	57500	12.20	14.50	1
3048397	124ANA060-C	CSPH*6012A**	313*AV060110	58000	12.20	14.50	1

See notes on page 19

# COMBINATION RATINGS CONTINUED

ARI Ref. No.	Model Number	Indoor Model	Furnace Model	Capacity	EER	SEER	Phase
3048398	124ANA060-C	CSPH*6012A**	313*AV060135	57500	12.20	14.50	1
3048418	124ANA060-C	CSPH*6012A**	315(A,J)AV060110	57500	12.00	14.20	1
3048419	124ANA060-C	CSPH*6012A**	315(A,J)AV066135	57500	12.00	14.50	1
3048420	124ANA060-C	CSPH*6012A**	315(A,J)AV066155	58000	12.00	14.50	1
3102128	124ANA060-C	CSPH*6012A**	353AAV048080	57000	12.00	14.00	1
3102129	124ANA060-C	CSPH*6012A**	353AAV060100	57500	12.00	14.00	1
3102130	124ANA060-C	CSPH*6012A**	353AAV060120	57500	12.20	14.50	1
3048415	124ANA060-C	CSPH*6012A**	355(A,C)AV060080	56000	12.00	14.20	1
3048416	124ANA060-C	CSPH*6012A**	355(A,C)AV060100	56000	12.00	14.50	1
3048417	124ANA060-C	CSPH*6012A**	355(A,C)AV060120	56000	12.00	14.50	1
3048414	124ANA060-C	CSPH*6012A**+TDR		58000	12.00	14.00	1
3048423	124ANA060-C	FE4ANB006+UI		59000	12.50	14.50	1
3048424	124ANA060-C	FV4BNB006		59000	12.50	14.50	1
3048422	124ANA060-C	FX4CN(B,F)060		59500	12.00	14.00	1
3048421	124ANA060-C	FY4ANB060		59000	11.50	13.50	1

\* Tested combination

**EER** — Energy Efficiency Ratio

**SEER** — Seasonal Energy Efficiency Ratio

**TDR** — Time-Delay Relay. In most cases, only 1 method should be used to achieve TDR function. Using more than 1 method in a system may cause degradation in performance. Use either the accessory Time-Delay Relay KAATD0101TDR or a furnace equipped with TDR. Most Bryant furnaces are equipped with TDR.

**TXV** — Thermostatic Expansion Valve

- NOTES:**
1. Ratings are net values reflecting the effects of circulating fan motor heat. Supplemental electric heat is not included.
  2. Tested outdoor/indoor combinations have been tested in accordance with DOE test procedures for central air conditioners. Ratings for other combinations are determined under DOE computer simulation procedures.
  3. Determine actual CFM values obtainable for your system by referring to fan performance data in fan coil or furnace coil literature.
  4. Do not apply with capillary tube coils as performance and reliability are significantly affected.

**DETAILED COOLING CAPACITIES#**

EVAPORATOR AIR		CONDENSER ENTERING AIR TEMPERATURES ° F (° C)																		
		75 (23.9)			85 (29.4)			95 (35)			105 (40.6)			115 (46.1)			125 (51.7)			
CFM	EWB ° F (° C)	Capacity MBTuh		Total Sys. KW**	Capacity MBTuh		Total Sys. KW**	Capacity MBTuh		Total Sys. KW**	Capacity MBTuh		Total Sys. KW**	Capacity MBTuh		Total Sys. KW**				
		Total	Sens†		Total	Sens†		Total	Sens†		Total	Sens†		Total	Sens†					
<b>124ANA018-C Outdoor Section With CAP**2414A** Indoor Section</b>																				
525	72 (22.2)	21.57	11.21	1.17	20.52	10.80	1.32	19.45	10.39	1.49	18.33	9.97	1.67	17.18	9.55	1.88	15.93	9.09	2.11	
	67 (19.4)	19.60	13.63	1.18	18.65	13.23	1.33	17.67	12.81	1.50	16.65	12.40	1.69	15.60	11.96	1.90	14.46	11.51	2.13	
	62 (16.7)	17.82	16.04	1.19	16.96	15.63	1.34	16.08	15.22	1.51	15.18	14.79	1.70	14.29	14.29	1.91	13.44	13.44	2.13	
	57 (13.9)	17.16	17.16	1.20	16.49	16.49	1.35	15.79	15.79	1.51	15.06	15.06	1.70	14.29	14.29	1.91	13.44	13.44	2.13	
	72 (22.2)	22.01	11.78	1.19	20.92	11.37	1.34	19.79	10.95	1.51	18.62	10.52	1.70	17.42	10.09	1.91	16.12	9.62	2.14	
600	67 (19.4)	20.03	14.54	1.21	19.03	14.13	1.36	18.00	13.71	1.53	16.94	13.28	1.71	15.84	12.84	1.92	14.66	12.37	2.15	
	62 (16.7)	18.27	17.29	1.22	17.38	16.86	1.37	16.50	16.41	1.54	15.70	15.70	1.72	14.86	14.86	1.93	13.95	13.95	2.16	
	57 (13.9)	17.96	17.96	1.22	17.23	17.23	1.37	16.48	16.48	1.54	15.70	15.70	1.72	14.87	14.87	1.93	13.95	13.95	2.16	
	72 (22.2)	22.34	12.32	1.22	21.20	11.90	1.37	20.03	11.47	1.54	18.83	11.04	1.72	17.58	10.60	1.93	16.24	10.13	2.16	
	67 (19.4)	20.35	15.42	1.23	19.31	15.00	1.38	18.25	14.57	1.55	17.15	14.13	1.74	16.02	13.68	1.95	14.80	13.21	2.18	
675	62 (16.7)	18.68	18.46	1.24	17.86	17.86	1.39	17.06	17.06	1.56	16.22	16.22	1.75	15.33	15.33	1.95	14.37	14.37	2.18	
	57 (13.9)	18.63	18.63	1.24	17.86	17.86	1.39	17.06	17.06	1.56	16.22	16.22	1.75	15.33	15.33	1.95	14.37	14.37	2.18	
	<b>COOLING INDOOR MODEL</b>																			
			CAPACITY	POWER	FURNACE MODEL			CAPACITY	POWER	FURNACE MODEL			CAPACITY	POWER	FURNACE MODEL			CAPACITY	POWER	FURNACE MODEL
	*CAP**2414A**		1.00	1.00				0.98	0.90	315(A-JAV036070)			0.99	0.88	315(A-JAV036070)			1.00	0.88	353AAV036060
CAP**1814A**		0.99	1.02				0.99	0.88	315(A-JAV036070)			0.99	0.88	315(A-JAV036070)			0.99	0.88	355(A-CJAV042040)	
CAP**2417A**		1.00	1.00				0.99	0.88	315(A-JAV036070)			0.99	0.88	315(A-JAV036070)			0.99	0.88	355(A-CJAV042040)	
CNPF*2418A**		1.00	1.00				0.98	0.90	315(A-JAV036070)			0.98	0.90	315(A-JAV036070)			0.99	0.88	355(A-CJAV042060)	
CNPH*2417A**		1.00	1.00				0.99	0.88	315(A-JAV036070)			0.99	0.88	315(A-JAV036070)			0.99	0.88	355(A-CJAV042060)	
CNPV*1814A**		0.99	1.02				0.99	0.88	315(A-JAV036070)			0.99	0.88	315(A-JAV036070)			0.99	0.88	355(A-CJAV042060)	
CNPV*2414A**		1.00	1.00				0.99	0.88	315(A-JAV048090)			0.99	0.88	315(A-JAV048090)			0.99	0.88	355(A-CJAV042060)	
CNPV*2417A**		1.00	1.00				0.99	0.88	315(A-JAV048090)			0.99	0.88	315(A-JAV048090)			0.99	0.88	355(A-CJAV042080)	
CSPH*2412A**		1.00	0.96				0.99	0.88	315(A-JAV048090)			0.99	0.88	315(A-JAV048090)			0.99	0.88	355(A-CJAV042080)	
FE4ANF002		1.01	0.88				0.99	0.88	315(A-JAV048090)			0.99	0.88	315(A-JAV048090)			1.00	0.90	313*AV024045	
FF4ENP018		0.99	1.02				1.00	0.87	353AAV036040			1.00	0.88	353AAV036040			1.01	0.89	313*AV024045	
FF4ENP024		1.00	1.03				1.00	0.88	353AAV036040			1.00	0.88	353AAV036040			1.01	0.89	313*AV024045	
FV4BNF002		1.01	0.88				1.00	0.88	353AAV036040			1.00	0.88	353AAV036040			1.00	0.90	313*AV024045	
FX4CNF018		1.00	0.88				1.00	0.88	353AAV036040			1.00	0.88	353AAV036040			1.01	0.89	313*AV024045	
FX4CNF024		1.02	0.90				1.00	0.87	353AAV036060			1.00	0.87	353AAV036060			1.01	0.89	313*AV024045	
FY4ANF018		0.99	1.02				1.00	0.88	353AAV036060			1.00	0.88	353AAV036060			1.01	0.89	313*AV024045	
FY4ANF024		0.99	1.02				1.00	0.88	353AAV036060			1.00	0.88	353AAV036060			1.01	0.89	313*AV024045	

See notes on page 29

# DETAILED COOLING CAPACITIES# (CONTINUED)

EVAPORATOR AIR		CONDENSER ENTERING AIR TEMPERATURES ° F (° C)																		
CFM	EWB ° F (° C)	75 (23.9)			85 (29.4)			95 (35)			105 (40.6)			115 (46.1)			125 (51.7)			
		Capacity MBTuh		Total Sys. KW**	Capacity MBTuh		Total Sys. KW**	Capacity MBTuh		Total Sys. KW**	Capacity MBTuh		Total Sys. KW**	Capacity MBTuh		Total Sys. KW**	Capacity MBTuh		Total Sys. KW**	
		Total	Sens†	Total	Sens†	Total	Sens†	Total	Sens†	Total	Sens†	Total	Sens†	Total	Sens†	Total	Sens†	Total	Sens†	
700	72 (22.2)	27.67	13.76	1.55	26.44	13.29	12.82	25.16	12.82	23.80	12.34	2.17	20.34	11.83	2.43	20.73	11.28	2.71		
	67 (19.4)	25.12	16.76	1.55	23.98	16.91	15.84	22.80	15.84	21.54	15.35	1.95	20.19	14.83	2.43	18.72	14.27	2.72		
	62 (16.7)	22.88	19.79	1.55	21.86	19.33	18.85	20.79	18.85	19.68	18.33	2.18	18.60	18.60	2.44	17.49	17.49	2.72		
	57 (13.9)	22.21	22.21	1.55	21.39	21.39	20.53	20.53	20.53	19.60	19.60	2.18	18.60	18.60	2.44	17.49	17.49	2.72		
	72 (22.2)	28.21	14.42	1.59	26.93	13.97	13.97	25.58	13.49	24.17	13.01	2.21	20.99	12.89	2.47	18.98	15.32	2.76		
	67 (19.4)	25.62	17.85	1.59	24.43	17.99	16.92	23.20	16.42	21.90	16.42	2.21	20.50	15.89	2.47	18.98	15.32	2.76		
800	62 (16.7)	23.44	21.28	1.59	22.40	20.78	21.36	21.36	21.36	20.39	20.39	2.22	19.32	19.32	2.47	18.13	18.13	2.76		
	57 (13.9)	23.17	23.17	1.59	22.30	22.30	21.37	21.37	21.37	20.39	20.39	2.22	19.32	19.32	2.47	18.13	18.13	2.76		
	72 (22.2)	28.61	15.07	1.62	27.28	14.60	14.13	25.89	14.13	24.43	13.63	2.25	22.87	13.11	2.51	21.17	12.94	2.79		
	67 (19.4)	25.99	18.90	1.63	24.78	18.43	17.95	23.50	17.95	22.16	17.44	2.25	20.73	16.90	2.51	19.18	16.31	2.79		
	62 (16.7)	23.98	23.86	1.63	23.05	23.05	22.07	22.07	22.07	21.03	21.03	2.25	19.90	19.90	2.51	18.66	18.66	2.79		
	57 (13.9)	23.98	23.98	1.63	23.05	23.05	22.07	22.07	22.07	21.03	21.03	2.25	19.90	19.90	2.51	18.66	18.66	2.79		
		COOLING INDOOR MODEL			FURNACE MODEL			COOLING INDOOR MODEL			FURNACE MODEL			COOLING INDOOR MODEL			FURNACE MODEL			
*CAP**2414A**		1.00		1.00																
CAP**3017A**		1.00		1.00																
CAP**3014A**		1.01		0.98																
CAP**3017A**		1.01		0.98																
CNP**2418A**		1.00		1.00																
CNP**2417A**		1.00		1.00																
CNP**3017A**		1.01		0.98																
CNP**2414A**		1.00		1.00																
CNP**2417A**		1.00		1.00																
CNP**3014A**		1.01		0.98																
CNP**3017A**		1.01		0.98																
CSPH**2412A**		1.01		0.99																
CSPH**3012A**		1.02		1.00																
FE4AN/B F003		1.02		0.90																
FE4AN/F002		1.01		0.89																
FE5AN/B004		1.04		0.92																
FE4AN/F030		1.02		0.92																
FY4AN/F024		0.99		0.99																
FY4AN/F030		1.00		0.98																
CAP**2414A**		0.99		0.89																
CAP**3017A**		1.00		0.90																
CNP**2417A**		0.98		0.92																
CNP**3017A**		1.00		0.90																
CNP**2414A**		0.98		0.92																
CNP**3014A**		1.00		0.90																
CSPH**2412A**		1.00		0.90																
CSPH**3012A**		1.00		0.90																
CAP**2417A**		0.99		0.89																
CAP**3017A**		1.00		0.89																
CNP**2417A**		0.99		0.89																
CNP**3017A**		1.00		0.89																
CNP**2417A**		0.99		0.89																
CNP**3017A**		1.00		0.89																
CNP**2417A**		0.99		0.89																
CNP**3017A**		1.00		0.89																
CNP**2417A**		0.99		0.89																
CNP**3017A**		1.00		0.89																

See notes on page 29



124A

DETAILED COOLING CAPACITIES# (CONTINUED)

EVAPORATOR AIR			CONDENSER ENTERING AIR TEMPERATURES ° F (° C)														
CFM	EWB ° F (° C)	75 (23.9)		85 (29.4)		95 (35)		105 (40.6)		115 (46.1)		125 (51.7)					
		Capacity MBtuh	Total Sys. KW**	Capacity MBtuh	Total Sys. KW**	Capacity MBtuh	Total Sys. KW**	Capacity MBtuh	Total Sys. KW**	Capacity MBtuh	Total Sys. KW**	Capacity MBtuh	Total Sys. KW**				
		Total	Sens†	Total	Sens†	Total	Sens†	Total	Sens†	Total	Sens†	Total	Sens†				
<b>124ANA030-D Outdoor Section With CAP**3014A* Indoor Section</b>																	
	72 (22.2)	34.32	17.27	1.96	32.83	31.24	16.13	2.44	29.59	15.54	2.71	27.80	14.90	3.01	25.81	14.20	3.34
875	67 (19.4)	31.45	21.21	1.96	30.06	20.64	2.18	28.59	20.05	2.43	27.04	19.44	2.71	25.38	18.78	3.01	23.54
	62 (16.7)	28.82	25.13	1.95	27.56	24.55	2.18	26.24	23.94	2.43	24.86	23.29	2.70	23.47	23.47	3.00	22.07
	57 (13.9)	28.00	26.98	1.95	26.98	25.89	2.18	25.89	25.89	2.43	24.74	24.74	2.70	23.48	23.48	3.00	22.07
	72 (22.2)	34.88	18.05	2.01	33.32	17.49	2.23	31.66	16.90	2.48	29.96	16.30	2.76	28.11	15.65	3.06	26.06
	67 (19.4)	31.98	22.49	2.01	30.53	21.91	2.23	29.00	21.31	2.48	27.40	20.68	2.75	25.69	20.03	3.05	23.80
1000	62 (16.7)	29.44	26.29	2.00	28.16	26.81	2.23	26.81	26.81	2.48	25.62	25.62	2.75	24.28	24.28	3.05	22.79
	57 (13.9)	29.10	29.10	2.00	28.01	28.01	2.23	26.85	26.85	2.48	25.62	25.62	2.75	24.28	24.28	3.05	22.79
	72 (22.2)	35.27	18.78	2.06	33.67	18.21	2.28	31.96	17.61	2.53	30.22	17.01	2.81	28.32	16.36	3.11	26.21
	67 (19.4)	32.36	23.68	2.05	30.87	23.10	2.28	29.29	22.50	2.53	27.66	21.88	2.80	25.91	21.21	3.10	23.99
	62 (16.7)	30.02	28.49	2.05	28.84	28.84	2.28	27.62	27.62	2.52	26.32	26.32	2.80	24.92	24.92	3.10	23.35
57 (13.9)	29.99	29.99	2.05	28.84	28.84	2.28	27.62	27.62	2.52	26.32	26.32	2.80	24.92	24.92	3.10	23.35	
<b>COOLING INDOOR MODEL FURNACE MODEL</b>																	
*CAP**3014A**		1.00	1.00	1.00		CNPV*3617A**	0.99	0.93	315(A-JAV)048090		0.99	0.93	315(A-JAV)048090		0.91	353AAV036080	
CAP**3017A**		1.00	1.00	1.00		CSPH*3012A**	1.00	0.94	315(A-JAV)048090		1.00	0.94	315(A-JAV)048090		0.91	353AAV036080	
CAP**3614A**		0.97	0.97	1.01		CSPH*3612A**	1.00	0.90	315(A-JAV)048090		1.00	0.94	CAP**3017A**		1.01	353AAV048080	
CAP**3617A**		1.01	1.01	1.01		CAP**3621A**	1.00	0.90	315(A-JAV)060110		1.00	0.91	CAP**3617A**		1.01	353AAV048080	
CAP**3621A**		1.01	1.01	1.01		CNPV*3017A**	1.00	0.94	315(A-JAV)060110		1.00	0.94	CNPV*3017A**		1.01	353AAV048080	
CNPV*3618A**		1.00	1.00	1.00		CNPV*3621A**	1.00	0.94	315(A-JAV)060110		1.00	0.94	CNPV*3621A**		1.01	353AAV048080	
CNPV*3017A**		1.00	1.00	1.00		CSPH*3012A**	1.00	0.94	315(A-JAV)060110		1.00	0.94	CNPV*3617A**		1.01	353AAV048080	
CNPV*3617A**		1.00	1.00	1.00		CSPH*3612A**	1.00	0.90	315(A-JAV)060110		1.00	0.94	CSPH*3612A**		1.01	353AAV048080	
CNPV*3014A**		1.00	1.00	1.00		CNPV*3017A**	1.00	0.94	315(A-JAV)066135		1.00	0.91	CNPV*3012A**		1.01	353AAV048080	
CNPV*3017A**		1.00	1.00	1.00		CNPV*3617A**	1.00	0.94	315(A-JAV)066135		1.00	0.91	CNPV*3617A**		1.01	353AAV048080	
CNPV*3617A**		1.00	1.00	1.00		CSPH*3012A**	1.00	0.94	315(A-JAV)066135		1.00	0.93	CNPV*3017A**		1.01	355(A-CJAV)042040	
CNPV*3621A**		1.00	1.00	1.00		CSPH*3612A**	1.00	0.90	315(A-JAV)066135		1.00	0.93	CSPH*3612A**		1.01	355(A-CJAV)042040	
CSPH*3012A**		1.00	1.00	1.00		CNPV*3017A**	1.00	0.90	315(A-JAV)066155		1.00	0.94	CNPV*3017A**		1.01	355(A-CJAV)042040	
CSPH*3612A**		1.01	1.01	1.01		CNPV*3617A**	1.00	0.90	315(A-JAV)066155		1.00	0.93	CNPV*3617A**		1.01	355(A-CJAV)042080	
FE4AN(B,F)003		1.01	0.91	0.91		CNPV*3017A**	1.00	0.94	315(A-JAV)066155		1.00	0.93	CNPV*3017A**		1.01	355(A-CJAV)042080	
FE4AN(B,F)005		1.03	0.92	0.92		CSPH*3012A**	1.00	0.90	315(A-JAV)066155		1.00	0.93	CNPV*3017A**		1.01	355(A-CJAV)042080	
FE4ANF002		1.00	0.94	0.94		CSPH*3612A**	1.00	0.90	353AAV036040		1.00	0.93	CNPV*3617A**		1.01	355(A-CJAV)042080	
FE4ANF004		1.04	0.92	0.92		CAP**3017A**	1.01	0.91	353AAV036040		1.01	0.93	CNPV*3617A**		1.01	355(A-CJAV)042080	
FF1ENP030		0.99	0.99	0.99		CAP**3617A**	1.01	0.91	353AAV036040		1.01	0.93	CNPV*3617A**		1.01	355(A-CJAV)042080	
FF1ENP036		1.01	1.01	1.01		CNPV*3017A**	1.01	0.91	353AAV036040		1.01	0.93	CNPV*3617A**		1.01	355(A-CJAV)042080	
FV4BN(B,F)003		1.01	0.91	0.91		CNPV*3617A**	1.01	0.91	353AAV036040		1.01	0.93	CNPV*3617A**		1.01	355(A-CJAV)042080	
FV4BN(B,F)005		1.03	0.92	0.92		CNPV*3017A**	1.01	0.91	353AAV036040		1.01	0.93	CNPV*3612A**		1.00	355(A-CJAV)042080	
FV4BNF002		1.00	0.94	0.94		CNPV*3617A**	1.01	0.91	353AAV036040		1.01	0.93	CNPV*3617A**		1.01	355(A-CJAV)042080	
FV4CN(B,F)036		1.01	0.97	0.97		CSPH*3012A**	1.01	0.91	353AAV036040		1.01	0.93	CNPV*3617A**		1.01	355(A-CJAV)042080	
FV4CNF030		1.01	0.94	0.94		CSPH*3612A**	1.01	0.91	353AAV036040		1.01	0.93	CNPV*3617A**		1.01	355(A-CJAV)042080	
FV4ANF030		0.99	0.99	0.99		CAP**3017A**	1.01	0.91	353AAV036080		1.01	0.93	CNPV*3621A**		0.99	355(A-CJAV)042080	
FV4ANF036		1.00	1.00	1.00		CAP**3617A**	1.01	0.91	353AAV036080		1.01	0.93	CNPV*3612A**		1.00	355(A-CJAV)042080	
CAP**3014A**		0.99	0.93	0.93	315(A-JAV)036070	CNPV*3017A**	1.01	0.91	353AAV036080		1.01	0.93	CNPV*3612A**		1.00	355(A-CJAV)042080	
CAP**3614A**		0.99	0.93	0.93	315(A-JAV)036070	CNPV*3617A**	1.01	0.91	353AAV036080		1.01	0.93	CNPV*3617A**		1.01	355(A-CJAV)042080	
CNPV*3017A**		0.99	0.93	0.93	315(A-JAV)036070	CNPV*3017A**	1.01	0.91	353AAV036080		1.01	0.93	CNPV*3617A**		1.01	355(A-CJAV)042080	
CNPV*3617A**		0.99	0.93	0.93	315(A-JAV)036070	CNPV*3617A**	1.01	0.91	353AAV036080		1.01	0.93	CNPV*3617A**		1.01	355(A-CJAV)042080	
CNPV*3014A**		0.99	0.93	0.93	315(A-JAV)036070	CSPH*3012A**	1.01	0.91	353AAV036080		1.01	0.93	CNPV*3621A**		0.99	355(A-CJAV)042080	
CSPH*3012A**		1.00	0.94	0.94	315(A-JAV)036070	CSPH*3612A**	1.01	0.91	353AAV036080		1.01	0.93	CSPH*3612A**		1.00	355(A-CJAV)042080	
CSPH*3612A**		1.00	0.94	0.94	315(A-JAV)036070	CAP**3017A**	1.01	0.91	353AAV036080		1.01	0.93	CAP**3621A**		1.00	355(A-CJAV)042080	
CAP**3017A**		0.99	0.93	0.93	315(A-JAV)048090	CNPV*3017A**	1.01	0.91	353AAV036080		1.01	0.93	CNPV*3617A**		1.01	355(A-CJAV)042080	
CAP**3617A**		1.00	0.90	0.90	315(A-JAV)048090	CNPV*3017A**	1.01	0.91	353AAV036080		1.01	0.93	CNPV*3617A**		1.01	355(A-CJAV)042080	
CNPV*3017A**		0.99	0.93	0.93	315(A-JAV)048090	CNPV*3617A**	1.01	0.91	353AAV036080		1.01	0.93	CNPV*3617A**		1.01	355(A-CJAV)042080	
CNPV*3617A**		0.99	0.93	0.93	315(A-JAV)048090	CNPV*3617A**	1.01	0.91	353AAV036080		1.01	0.93	CNPV*3617A**		1.01	355(A-CJAV)042080	
CNPV*3017A**		0.99	0.93	0.93	315(A-JAV)048090	CNPV*3617A**	1.01	0.91	353AAV036080		1.01	0.93	CNPV*3617A**		1.01	355(A-CJAV)042080	
CNPV*3617A**		0.99	0.93	0.93	315(A-JAV)048090	CNPV*3617A**	1.01	0.91	353AAV036080		1.01	0.93	CNPV*3617A**		1.01	355(A-CJAV)042080	
CNPV*3017A**		0.99	0.93	0.93	315(A-JAV)048090	CNPV*3617A**	1.01	0.91	353AAV036080		1.01	0.93	CNPV*3617A**		1.01	355(A-CJAV)042080	
CNPV*3617A**		0.99	0.93	0.93	315(A-JAV)048090	CNPV*3617A**	1.01	0.91	353AAV036080		1.01	0.93	CNPV*3617A**		1.01	355(A-CJAV)042080	
CNPV*3017A**		0.99	0.93	0.93	315(A-JAV)048090	CNPV*3617A**	1.01	0.91	353AAV036080		1.01	0.93	CNPV*3617A**		1.01	355(A-CJAV)042080	
CNPV*3617A**		0.99	0.93	0.93	315(A-JAV)048090	CNPV*3617A**	1.01	0.91	353AAV036080		1.01	0.93	CNPV*3617A**		1.01	355(A-CJAV)042080	

# DETAILED COOLING CAPACITIES# (CONTINUED)

124ANA030—D Outdoor Section With CAP\*\*3014A\* Indoor Section

COOLING INDOOR MODEL	CAPACITY	POWER	FURNACE MODEL
CSPH*3612A**	1.00	0.94	313*AV048070
CNPH*3017A**	1.00	0.94	313*AV048070
CNPH*3617A**	1.00	0.94	313*AV048070
CNPV*3621A**	1.00	0.94	313*AV048070
CSPH*3012A**	1.00	0.94	313*AV048070
CSPH*3612A**	1.01	0.91	313*AV048090

COOLING INDOOR MODEL	CAPACITY	POWER	FURNACE MODEL
CNPH*3017A**	1.00	0.94	313*AV048070
CNPH*3617A**	1.00	0.94	313*AV048070
CNPV*3017A**	1.00	0.94	313*AV048070
CNPV*3617A**	1.00	0.94	313*AV048070
CSPH*3012A**	1.00	0.94	313*AV048070
CSPH*3612A**	1.01	0.95	313*AV048070
CAP**3621A**	1.01	0.91	313*AV048090

COOLING INDOOR MODEL	CAPACITY	POWER	FURNACE MODEL
CSPH*3612A**	1.00	0.90	355(A,C)AV060100
CNPH*3017A**	0.99	0.93	355(A,C)AV060120
CNPH*3617A**	0.99	0.93	355(A,C)AV060120
CSPH*3012A**	0.99	0.93	355(A,C)AV060120
CSPH*3612A**	1.00	0.90	355(A,C)AV060120
CAP**3017A**	1.00	0.94	313*AV048070
CAP**3617A**	1.01	0.94	313*AV048070

See notes on page 29

DETAILED COOLING CAPACITIES# (CONTINUED)

EVAPORATOR AIR		75 (23.9)					85 (29.4)					95 (95)					105 (40.6)					115 (46.1)					125 (51.7)				
CFM	EWB ° F (° C)	Capacity MBtuh		Total Sys. KW**	Sens†	Capacity MBtuh		Total Sys. KW**	Sens†	Capacity MBtuh		Total Sys. KW**	Sens†	Capacity MBtuh		Total Sys. KW**	Sens†	Capacity MBtuh		Total Sys. KW**	Sens†	Capacity MBtuh		Total Sys. KW**	Sens†						
		Total	Sens†			Total	Sens†			Total	Sens†			Total	Sens†			Total	Sens†			Total	Sens†			Total	Sens†				
	72 (22.2)	42.83	22.38	2.35	40.92	21.65	38.92	20.89	2.94	36.78	20.09	3.29	34.47	19.23	3.68	31.94	18.31	4.12													
1060	67 (19.4)	38.83	27.27	2.35	37.06	26.52	35.20	25.74	2.94	33.22	24.93	3.29	31.08	24.06	3.68	28.75	23.12	4.12													
	62 (16.7)	35.34	32.16	2.35	33.74	31.40	32.07	30.59	2.94	30.32	29.72	3.29	28.58	26.58	3.68	26.83	26.83	4.12													
	57 (13.9)	34.26	34.26	2.35	32.98	32.98	31.63	31.63	2.94	30.17	30.17	3.29	28.58	28.58	3.68	26.83	26.83	4.12													
1200	72 (22.2)	43.66	23.46	2.40	41.67	22.71	39.58	21.94	2.99	37.36	21.12	3.34	34.96	20.26	3.73	32.33	19.32	4.17													
	67 (19.4)	39.58	28.97	2.40	37.74	28.21	35.80	27.42	2.99	33.75	26.59	3.34	31.55	25.71	3.73	29.14	24.76	4.17													
	62 (16.7)	36.18	34.48	2.40	34.56	33.67	32.87	32.87	2.99	31.35	31.35	3.34	29.67	29.67	3.73	27.80	27.80	4.17													
1350	72 (22.2)	35.72	35.72	2.40	34.36	34.36	32.91	32.91	2.99	31.36	31.36	3.34	29.67	29.67	3.73	27.80	27.80	4.17													
	67 (19.4)	44.27	24.46	2.45	42.22	23.70	40.06	22.91	3.05	37.77	22.09	3.39	35.31	21.21	3.78	32.61	20.26	4.22													
	62 (16.7)	40.14	30.57	2.45	38.24	29.80	36.25	29.01	3.04	34.15	28.17	3.39	31.89	27.28	3.78	29.44	26.29	4.22													
	57 (13.9)	36.94	36.94	2.45	35.50	35.50	33.97	33.97	3.04	32.34	32.34	3.39	30.56	30.56	3.78	28.59	28.59	4.22													

124ANA036 - C Outdoor Section With CAP**4221A** Indoor Section														
COOLING INDOOR MODEL	CAPACITY	POWER	FURNACE MODEL		COOLING INDOOR MODEL	CAPACITY	POWER	FURNACE MODEL		COOLING INDOOR MODEL	CAPACITY	POWER	FURNACE MODEL	
			Total	Sens†				Total	Sens†				Total	Sens†
*CAP**4221A**	1.00	1.00			CNPV*4221A**	0.99	0.91	315(A-J)AV060110		CSPH**4212A**	0.99	0.95	353AAV060100	
CAP**3617A**	0.96	0.96			CAP**4224A**	0.99	0.91	315(A-J)AV066135		CAP**4224A**	0.99	0.94	355(A-C)AV042040	
CAP**3617A**	0.99	1.03			CNPV*4221A**	0.98	0.91	315(A-J)AV066135		CNPV*3617A**	0.97	0.93	355(A-C)AV042040	
CAP**3621A**	0.99	1.03			CNPV*4221A**	0.98	0.91	315(A-J)AV066155		CNPV*4221A**	0.98	0.91	355(A-C)AV042040	
CAP**4224A**	1.00	1.00			CAP**3617A**	0.99	0.95	353AAV036040		CSPH**3612A**	0.98	0.94	355(A-C)AV042040	
CNPV*3618A**	0.99	1.03			CNPV*3617A**	0.98	0.94	353AAV036040		CSPH**4212A**	0.98	0.94	355(A-C)AV042040	
CNPV*3617A**	0.99	0.99			CNPV*4221A**	0.99	0.95	353AAV036040		CAP**3617A**	0.94	0.94	355(A-C)AV042060	
CNPV*4221A**	0.98	0.98			CNPV*3617A**	0.98	0.94	353AAV036040		CNPV*3617A**	0.98	0.94	355(A-C)AV042060	
CNPV*3617A**	0.99	1.00			CNPV*4217A**	0.99	0.95	353AAV036040		CNPV*4217A**	1.00	0.96	355(A-C)AV042060	
CNPV*3621A**	0.99	1.03			CSPH**3612A**	0.99	0.95	353AAV036040		CAP**3621A**	0.98	0.94	355(A-C)AV042080	
CNPV*4217A**	1.00	1.00			CSPH**4212A**	0.99	0.95	353AAV036060		CAP**4221A**	0.98	0.94	355(A-C)AV042080	
CSPH**3612A**	0.98	0.98			CAP**3617A**	0.99	0.95	353AAV036060		CNPV*3621A**	0.97	0.93	355(A-C)AV042080	
CSPH**3612A**	0.99	0.99			CNPV*3617A**	0.98	0.94	353AAV036060		CNPV*4221A**	0.98	0.91	355(A-C)AV042080	
CSPH**4212A**	0.98	0.98			CNPV*4221A**	0.99	0.95	353AAV036060		CAP**3621A**	0.98	0.94	355(A-C)AV060080	
FE4AN(B)F003	0.99	0.91			CNPV*3617A**	0.98	0.94	353AAV036060		CAP**4221A**	0.99	0.95	355(A-C)AV060080	
FE4AN(B)F005	1.03	0.95			CNPV*4217A**	0.99	0.95	353AAV036060		CAP**3621A**	0.98	0.91	355(A-C)AV060100	
FE4ANB006	1.03	0.92			CSPH**3612A**	0.99	0.95	353AAV036060		CAP**4221A**	0.99	0.95	355(A-C)AV060100	
FE4ANF002	0.98	0.94			CSPH**4212A**	0.99	0.95	353AAV036060		CAP**4224A**	0.99	0.91	355(A-C)AV060120	
FF1ENP036	0.98	0.98			CAP**3617A**	0.99	0.95	353AAV036060		CSPH**4212A**	0.98	0.94	355(A-C)AV060120	
FV4BN(B)F003	0.99	0.91			CNPV*3617A**	0.98	0.94	353AAV036060		CAP**3617A**	0.98	0.98	313*AV024045	
FV4BN(B)F005	1.02	0.94			CNPV*4221A**	0.99	0.95	353AAV036060		CNPV*3617A**	0.98	0.98	313*AV024045	
FV4BNB006	1.03	0.92			CNPV*3617A**	0.98	0.94	353AAV036060		CNPV*4221A**	0.99	0.97	313*AV024045	
FV4BNF002	0.98	0.94			CNPV*4217A**	0.99	0.95	353AAV036060		CSPH**3612A**	1.00	0.99	313*AV024045	
FV4CN(B)F036	1.01	0.97			CSPH**3612A**	0.99	0.95	353AAV036060		CSPH**4212A**	1.01	0.98	313*AV024045	
FV4CN(B)F042	1.02	0.94			CSPH**4212A**	0.99	0.95	353AAV036060		CAP**3617A**	0.98	0.97	313*AV048070	
FV4ANF036	0.97	1.01			CAP**3617A**	0.99	0.95	353AAV048080		CNPV*3617A**	0.98	0.96	313*AV048070	
FV4ANF042	1.01	1.01			CNPV*3617A**	0.98	0.97	353AAV048080		CNPV*4221A**	0.99	0.95	313*AV048070	
CAP**3614A**	0.95	0.91			CNPV*4221A**	0.99	0.95	353AAV048080		CNPV*3617A**	0.98	0.96	313*AV048070	
CNPV*3617A**	0.98	0.94			CNPV*3617A**	0.98	0.97	353AAV048080		CNPV*4217A**	0.99	0.98	313*AV048070	
CNPV*4221A**	0.98	0.91			CNPV*4217A**	0.99	0.95	353AAV048080		CSPH**3612A**	1.00	0.96	313*AV048070	
CNPV*3617A**	0.98	0.94			CSPH**4212A**	0.99	0.95	353AAV048080		CSPH**4212A**	1.01	0.97	313*AV048070	
CNPV*4212A**	0.98	0.94			CSPH**4212A**	0.99	0.95	353AAV048080		CAP**3621A**	0.99	0.94	313*AV048090	
CNPV*3612A**	0.98	0.94			CAP**3621A**	0.99	0.95	353AAV060100		CAP**4221A**	1.00	0.92	313*AV048090	
CNPV*3617A**	0.98	0.94			CAP**4221A**	0.99	0.95	353AAV060100		CNPV*3617A**	0.98	0.94	313*AV048090	
CNPV*4217A**	0.99	0.95			CNPV*4221A**	0.98	0.94	353AAV060100		CNPV*4221A**	0.99	0.92	313*AV048090	
CNPV*4217A**	0.99	0.91			CNPV*3621A**	0.98	0.94	353AAV060100		CNPV*4221A**	0.99	0.92	313*AV048090	
CNPV*4217A**	0.99	0.91			CNPV*4221A**	0.98	0.95	353AAV060100		CSPH**3612A**	1.00	0.92	313*AV048090	
CNPV*4217A**	0.99	0.91			CSPH**3612A**	0.99	0.95	353AAV060100		CSPH**4212A**	1.01	0.92	313*AV048090	



# DETAILED COOLING CAPACITIES# (CONTINUED)

124AN/A036—C Outdoor Section With CAP\*\*4221A\*\* Indoor Section

COOLING INDOOR MODEL	CAPACITY	POWER	FURNACE MODEL
CAP**3621A**	1.00	0.92	313*AV060110
CAP**4221A**	1.01	0.93	313*AV060110
CNPH*3617A**	0.99	0.95	313*AV060110
CNPH*4221A**	1.00	0.92	313*AV060110
CNPV*3621A**	0.99	0.95	313*AV060110
CNPV*4221A**	1.00	0.92	313*AV060110
CSPH*3612A**	1.00	0.92	313*AV060110
CSPH*4212A**	1.01	0.93	313*AV060110

See notes on page 29

DETAILED COOLING CAPACITIES# (CONTINUED)

EVAPORATOR AIR		75 (23.9)					85 (29.4)					95 (35)					105 (40.6)					115 (46.1)					125 (51.7)				
		CFM	EWB °F (°C)	Capacity MBTuh	Total Sys. KW**	Sens†	Capacity MBTuh	Total Sys. KW**	Sens†	Capacity MBTuh	Total Sys. KW**	Sens†	Capacity MBTuh	Total Sys. KW**	Sens†	Capacity MBTuh	Total Sys. KW**	Sens†	Capacity MBTuh	Total Sys. KW**	Sens†	Capacity MBTuh	Total Sys. KW**	Sens†	Capacity MBTuh	Total Sys. KW**	Sens†				
	72 (22.2)	51.84	27.33	49.61	2.27	26.48	47.23	25.58	2.84	44.68	24.63	3.17	41.93	23.62	3.54	38.86	22.51	3.93													
1225	67 (19.4)	47.48	33.63	45.42	2.26	32.76	43.24	31.85	2.83	40.90	30.89	3.16	38.37	29.87	3.53	35.58	28.75	3.92													
	62 (16.7)	43.52	39.88	41.66	2.25	38.99	39.71	38.06	2.82	37.64	37.03	3.15	35.60	35.60	3.52	33.47	33.47	3.92													
	57 (13.9)	42.32	42.32	40.83	2.24	40.83	39.23	39.23	2.82	37.49	37.49	3.15	35.60	35.60	3.52	33.47	33.47	3.92													
	72 (22.2)	52.87	28.72	50.55	2.28	27.86	48.06	26.94	2.85	45.41	25.98	3.18	42.56	24.95	3.55	39.39	23.83	3.94													
1400	67 (19.4)	48.46	35.83	48.31	2.27	34.94	44.04	34.02	2.84	41.60	33.04	3.17	39.00	32.01	3.54	36.11	30.87	3.93													
	62 (16.7)	44.62	42.86	42.72	2.26	41.91	40.81	40.81	2.83	38.97	38.97	3.16	36.95	36.95	3.53	34.67	34.67	3.93													
	57 (13.9)	44.15	44.15	42.54	2.25	42.54	40.88	40.88	2.83	38.97	38.97	3.16	36.95	36.95	3.53	34.67	34.67	3.93													
	72 (22.2)	53.67	30.04	51.27	2.29	29.16	48.70	28.24	2.86	45.98	27.26	3.19	43.04	26.23	3.55	39.79	25.09	3.95													
1575	67 (19.4)	49.22	37.92	47.00	2.27	47.00	44.66	36.10	2.85	42.17	35.11	3.18	39.49	34.06	3.54	36.54	32.88	3.94													
	62 (16.7)	45.61	45.61	43.95	2.27	43.95	42.14	42.14	2.84	40.17	40.17	3.17	38.04	38.04	3.54	35.64	35.64	3.94													
	57 (13.9)	45.65	45.65	43.95	2.27	43.95	42.14	42.14	2.84	40.18	40.18	3.17	38.04	38.04	3.54	35.64	35.64	3.94													
COOLING INDOOR MODEL		CAPACITY	POWER	FURNACE MODEL	COOLING INDOOR MODEL		CAPACITY	POWER	FURNACE MODEL	COOLING INDOOR MODEL		CAPACITY	POWER	FURNACE MODEL	COOLING INDOOR MODEL		CAPACITY	POWER	FURNACE MODEL	COOLING INDOOR MODEL		CAPACITY	POWER	FURNACE MODEL	COOLING INDOOR MODEL		CAPACITY	POWER	FURNACE MODEL		
*CAP**4821A**	1.00	1.00			CNPV*4221A**	0.99	0.97	315(A-JAV060110		CSPH**4821A**	1.00	0.96	353AAV048080		CSPH**4821A**	1.00	0.96	353AAV048080		CSPH**4821A**	1.00	0.96	353AAV048080		CSPH**4821A**	1.00	0.96	353AAV048080			
CAP**4224A**	0.99	1.01			CSPH**4821A**	1.00	0.96	315(A-JAV060110		CNPV**4821A**	1.00	0.96	315(A-JAV060110		CAP**4224A**	0.99	0.97	315(A-JAV060110		CNPV**4821A**	1.00	0.96	315(A-JAV060110		CAP**4224A**	0.99	0.97	315(A-JAV060110			
CAP**4817A**	1.00	1.00			CSPH**4821A**	1.00	0.96	315(A-JAV060110		CNPV**4821A**	1.00	0.96	315(A-JAV060110		CNPV**4821A**	1.00	0.96	315(A-JAV060110		CNPV**4821A**	1.00	0.96	315(A-JAV060110		CNPV**4821A**	1.00	0.96	315(A-JAV060110			
CAP**4824A**	1.00	1.00			CAP**4224A**	0.99	0.95	315(A-JAV066135		CAP**4824A**	1.00	0.96	315(A-JAV066135		CAP**4224A**	0.99	0.95	315(A-JAV066135		CAP**4824A**	1.00	0.96	315(A-JAV066135		CAP**4224A**	0.99	0.95	315(A-JAV066135			
CNP**4818A**	1.00	1.00			CAP**4824A**	1.00	0.96	315(A-JAV066135		CNP**4818A**	1.00	0.96	315(A-JAV066135		CNP**4818A**	1.00	0.96	315(A-JAV066135		CNP**4818A**	1.00	0.96	315(A-JAV066135		CNP**4818A**	1.00	0.96	315(A-JAV066135			
CNP**4821A**	0.99	1.01			CNP**4821A**	1.00	0.96	315(A-JAV066135		CNP**4821A**	1.00	0.96	315(A-JAV066135		CNP**4821A**	1.00	0.96	315(A-JAV066135		CNP**4821A**	1.00	0.96	315(A-JAV066135		CNP**4821A**	1.00	0.96	315(A-JAV066135			
CNP**4821A**	1.00	1.00			CNP**4821A**	1.00	0.96	315(A-JAV066135		CNP**4821A**	1.00	0.96	315(A-JAV066135		CNP**4821A**	1.00	0.96	315(A-JAV066135		CNP**4821A**	1.00	0.96	315(A-JAV066135		CNP**4821A**	1.00	0.96	315(A-JAV066135			
CNPV*4217A**	1.00	1.00			CNPV*4217A**	1.00	0.96	315(A-JAV066135		CNPV*4217A**	1.00	0.96	315(A-JAV066135		CNPV*4217A**	1.00	0.96	315(A-JAV066135		CNPV*4217A**	1.00	0.96	315(A-JAV066135		CNPV*4217A**	1.00	0.96	315(A-JAV066135			
CNPV*4221A**	0.99	1.01			CSPH**4821A**	1.00	0.95	315(A-JAV066135		CSPH**4821A**	1.00	0.96	315(A-JAV066135		CSPH**4821A**	1.00	0.96	315(A-JAV066135		CSPH**4821A**	1.00	0.96	315(A-JAV066135		CSPH**4821A**	1.00	0.96	315(A-JAV066135			
CNPV*4821A**	1.00	1.00			CSPH**4821A**	1.00	0.96	315(A-JAV066135		CNPV*4821A**	1.00	0.96	315(A-JAV066135		CNPV*4821A**	1.00	0.96	315(A-JAV066135		CNPV*4821A**	1.00	0.96	315(A-JAV066135		CNPV*4821A**	1.00	0.96	315(A-JAV066135			
FEAAN(B,F)003	0.99	0.95			CNPV*4821A**	1.00	0.92	315(A-JAV066155		CNPV*4821A**	1.00	0.92	315(A-JAV066155		CNPV*4821A**	1.00	0.92	315(A-JAV066155		CNPV*4821A**	1.00	0.92	315(A-JAV066155		CNPV*4821A**	1.00	0.92	315(A-JAV066155			
FEAAN(B,F)005	1.03	0.95			CNPV*4824A**	1.00	0.96	315(A-JAV066155		CNPV*4824A**	1.00	0.96	315(A-JAV066155		CNPV*4824A**	1.00	0.96	315(A-JAV066155		CNPV*4824A**	1.00	0.96	315(A-JAV066155		CNPV*4824A**	1.00	0.96	315(A-JAV066155			
FEAAN(B,F)042	1.03	0.91			CSPH**4212A**	0.99	0.95	315(A-JAV066155		CSPH**4212A**	1.00	0.92	315(A-JAV066155		CSPH**4212A**	1.00	0.92	315(A-JAV066155		CSPH**4212A**	1.00	0.92	315(A-JAV066155		CSPH**4212A**	1.00	0.92	315(A-JAV066155			
FEAAN(B,F)048	1.03	0.91			CSPH**4812A**	1.00	0.92	315(A-JAV066155		CSPH**4812A**	1.00	0.92	315(A-JAV066155		CSPH**4812A**	1.00	0.92	315(A-JAV066155		CSPH**4812A**	1.00	0.92	315(A-JAV066155		CSPH**4812A**	1.00	0.92	315(A-JAV066155			
FVA4NF042	1.03	0.95			CAP**4817A**	1.00	0.98	353AAV048080		CAP**4817A**	1.00	0.98	353AAV048080		CAP**4817A**	1.00	0.98	353AAV048080		CAP**4817A**	1.00	0.98	353AAV048080		CAP**4817A**	1.00	0.98	353AAV048080			
FVA4NF048	1.01	1.04			CNPV*4221A**	1.00	0.97	353AAV048080		CNPV*4221A**	1.00	0.97	353AAV048080		CNPV*4221A**	1.00	0.97	353AAV048080		CNPV*4221A**	1.00	0.97	353AAV048080		CNPV*4221A**	1.00	0.97	353AAV048080			
CNP**4821A**	0.98	0.95			CNPV*4821A**	1.00	0.96	353AAV060100		CNPV*4821A**	1.00	0.96	353AAV060100		CNPV*4821A**	1.00	0.96	353AAV060100		CNPV*4821A**	1.00	0.96	353AAV060100		CNPV*4821A**	1.00	0.96	353AAV060100			
CNPV*4212A**	1.00	0.98			CNPV*4212A**	1.00	0.96	353AAV060100		CNPV*4212A**	1.00	0.96	353AAV060100		CNPV*4212A**	1.00	0.96	353AAV060100		CNPV*4212A**	1.00	0.96	353AAV060100		CNPV*4212A**	1.00	0.96	353AAV060100			
CSPH**4812A**	1.00	0.98			CNPV*4821A**	1.00	0.96	353AAV060100		CNPV*4821A**	1.00	0.96	353AAV060100		CNPV*4821A**	1.00	0.96	353AAV060100		CNPV*4821A**	1.00	0.96	353AAV060100		CNPV*4821A**	1.00	0.96	353AAV060100			
CAP**4817A**	1.00	0.96			CNPV*4821A**	1.00	0.96	353AAV060100		CNPV*4821A**	1.00	0.96	353AAV060100		CNPV*4821A**	1.00	0.96	353AAV060100		CNPV*4821A**	1.00	0.96	353AAV060100		CNPV*4821A**	1.00	0.96	353AAV060100			
CNPV*4821A**	1.00	0.96			CNPV*4821A**	1.00	0.96	353AAV060100		CNPV*4821A**	1.00	0.96	353AAV060100		CNPV*4821A**	1.00	0.96	353AAV060100		CNPV*4821A**	1.00	0.96	353AAV060100		CNPV*4821A**	1.00	0.96	353AAV060100			
CSPH**4212A**	0.99	0.95			CAP**4224A**	1.00	0.96	353AAV060120		CAP**4224A**	1.00	0.96	353AAV060120		CAP**4224A**	1.00	0.96	353AAV060120		CAP**4224A**	1.00	0.96	353AAV060120		CAP**4224A**	1.00	0.96	353AAV060120			
CSPH**4812A**	1.00	0.96			CAP**4824A**	1.00	0.96	353AAV060120		CAP**4824A**	1.00	0.96	353AAV060120		CAP**4824A**	1.00	0.96	353AAV060120		CAP**4824A**	1.00	0.96	353AAV060120		CAP**4824A**	1.00	0.96	353AAV060120			
CAP**4221A**	0.99	0.95			CNPV*4221A**	1.00	0.96	353AAV060120		CNPV*4221A**	1.00	0.96	353AAV060120		CNPV*4221A**	1.00	0.96	353AAV060120		CNPV*4221A**	1.00	0.96	353AAV060120		CNPV*4221A**	1.00	0.96	353AAV060120			
CAP**4821A**	1.00	0.96			CNPV*4821A**	1.00	0.96	353AAV060120		CNPV*4821A**	1.00	0.96	353AAV060120		CNPV*4821A**	1.00	0.96	353AAV060120		CNPV*4821A**	1.00	0.96	353AAV060120		CNPV*4821A**	1.00	0.96	353AAV060120			
CNPV*4217A**	0.99	0.97			CSPH**4812A**</																										

# DETAILED COOLING CAPACITIES# (CONTINUED)

124ANA042-D Outdoor Section With CAP\*\*4821A\* Indoor Section

COOLING INDOOR MODEL	CAPACITY	POWER	FURNACE MODEL	COOLING INDOOR MODEL	CAPACITY	POWER	FURNACE MODEL	COOLING INDOOR MODEL	CAPACITY	POWER	FURNACE MODEL
CAP**4824A**	1.00	0.96	355(A,C)AV060120	CAP**4221A**	0.99	0.95	313*AV048090	CNPV**4221A**	0.99	0.95	313*AV060110
CNPH**4221A**	0.98	0.96	355(A,C)AV060120	CNPV**4821A**	1.00	0.94	313*AV048090	CNPV**4821A**	1.01	0.93	313*AV060110
CNPH**4821A**	1.00	0.96	355(A,C)AV060120	CNPH**4221A**	0.99	0.95	313*AV048090	CSPH**4212A**	1.00	0.92	313*AV060110
CNPV**4824A**	1.00	0.96	355(A,C)AV060120	CNPH**4821A**	1.00	0.92	313*AV048090	CSPH**4812A**	1.01	0.93	313*AV060110
CSPH**4212A**	0.98	0.94	355(A,C)AV060120	CNPV**4221A**	0.99	0.95	313*AV048090	CAP**4224A**	0.99	0.95	313*AV060135
CSPH**4812A**	1.00	0.96	355(A,C)AV060120	CNPV**4821A**	1.00	0.92	313*AV048090	CAP**4824A**	1.00	0.92	313*AV060135
CAP**4817A**	1.00	0.98	313*AV048070	CSPH**4212A**	1.00	0.92	313*AV048090	CNPH**4221A**	0.99	0.95	313*AV060135
CNPH**4821A**	0.98	0.98	313*AV048070	CSPH**4812A**	1.01	0.93	313*AV048090	CNPV**4824A**	1.01	0.93	313*AV060135
CNPV**4217A**	0.99	0.99	313*AV048070	CAP**4221A**	0.99	0.95	313*AV060110	CNPV**4824A**	1.01	0.93	313*AV060135
CSPH**4212A**	1.00	0.98	313*AV048070	CAP**4821A**	1.00	0.92	313*AV060110	CSPH**4212A**	1.00	0.92	313*AV060135
CSPH**4812A**	1.00	0.98	313*AV048070	CNPH**4221A**	0.99	0.95	313*AV060110	CSPH**4812A**	1.01	0.93	313*AV060135
				CNPH**4821A**	1.01	0.93	313*AV060110				

See notes on page 29

DETAILED COOLING CAPACITIES# (CONTINUED)

EVAPORATOR AIR		75 (23.9)				85 (29.4)				95 (35)				105 (40.6)				115 (46.1)				125 (51.7)							
CFM	EWB ° F (° C)	Capacity MBTuh		Total Sys. KW**	Capacity MBTuh	Capacity MBTuh		Total Sys. KW**	Capacity MBTuh	Capacity MBTuh		Total Sys. KW**	Capacity MBTuh	Capacity MBTuh		Total Sys. KW**	Capacity MBTuh	Capacity MBTuh		Total Sys. KW**	Capacity MBTuh	Capacity MBTuh		Total Sys. KW**					
		Total	Sens†			Total	Total			Sens†	Total			Total	Sens†			Total	Total			Sens†	Total		Total	Sens†	Total	Total	Sens†
<b>124ANA048 - C Outdoor Section With CAP**6024A** Indoor Section</b>																													
1400	72 (22.2)	60.16	31.56	3.28	57.50	30.54	54.84	29.46	4.05	51.60	28.32	4.50	48.30	27.10	44.61	4.99	44.61	25.76	44.61	4.99	44.61	25.76	44.61	4.99	44.61	25.76	44.61	4.99	
	67 (19.4)	55.07	38.75	3.27	52.61	37.72	50.00	36.62	4.05	47.20	35.47	4.49	44.18	34.24	40.83	4.98	40.83	32.90	40.83	4.98	40.83	32.90	40.83	4.98	40.83	32.90	40.83	4.98	
	62 (16.7)	50.45	45.90	3.27	48.23	44.83	45.88	43.71	4.04	43.41	42.48	4.49	40.91	40.91	38.37	4.98	38.37	38.37	38.37	4.98	38.37	38.37	38.37	4.98	38.37	38.37	38.37	4.98	
	57 (13.9)	48.92	48.92	3.27	47.14	47.14	45.23	45.23	4.04	43.17	43.17	4.49	40.91	40.91	38.37	4.98	38.37	38.37	38.37	4.98	38.37	38.37	38.37	4.98	38.37	38.37	38.37	4.98	
1600	72 (22.2)	61.17	33.06	3.37	58.39	32.02	55.41	30.92	4.14	52.25	29.77	4.58	48.82	28.53	45.00	5.07	45.00	27.17	45.00	5.07	45.00	27.17	45.00	5.07	45.00	27.17	45.00	5.07	
	67 (19.4)	56.03	41.17	3.36	53.46	40.12	50.73	39.00	4.13	47.83	37.84	4.57	44.70	36.59	41.24	5.06	41.24	35.22	41.24	5.06	41.24	35.22	41.24	5.06	41.24	35.22	41.24	5.06	
	62 (16.7)	51.54	49.21	3.35	49.27	48.08	46.90	46.90	4.12	44.73	44.73	4.57	42.31	42.31	39.58	5.06	39.58	39.58	39.58	5.06	39.58	39.58	39.58	5.06	39.58	39.58	39.58	5.06	
	57 (13.9)	50.90	50.90	3.35	48.99	48.99	46.94	46.94	4.12	44.73	44.73	4.57	42.31	42.31	39.58	5.06	39.58	39.58	39.58	5.06	39.58	39.58	39.58	5.06	39.58	39.58	39.58	5.06	
1800	72 (22.2)	61.90	34.47	3.45	59.02	33.42	55.95	32.30	4.22	52.69	31.14	4.66	49.16	29.88	45.24	5.15	45.24	28.51	45.24	5.15	45.24	28.51	45.24	5.15	45.24	28.51	45.24	5.15	
	67 (19.4)	56.72	43.47	3.44	54.07	42.40	51.26	41.28	4.21	48.28	40.10	4.66	45.07	38.82	41.52	5.14	41.52	37.41	41.52	5.14	41.52	37.41	41.52	5.14	41.52	37.41	41.52	5.14	
	62 (16.7)	52.54	52.16	3.43	50.46	50.46	48.29	48.29	4.20	45.95	45.95	4.65	43.40	43.40	40.51	5.14	40.51	40.51	40.51	5.14	40.51	40.51	40.51	5.14	40.51	40.51	40.51	5.14	
	57 (13.9)	52.49	52.49	3.43	50.46	50.46	48.29	48.29	4.20	45.96	45.96	4.65	43.40	43.40	40.52	5.14	40.52	40.52	40.52	5.14	40.52	40.52	40.52	5.14	40.52	40.52	40.52	5.14	
<b>COOLING INDOOR MODEL</b>																													
	*CAP**6024A**	1.00																											
	CAP**4817A**	0.97	1.00																										
	CNP**4821A**	0.99	1.02																										
	CAP**4824A**	0.99	1.02																										
	CNP**6021A**	0.98	0.98																										
	CNP**4818A**	0.95	0.97																										
	CNP**4821A**	0.97	0.99																										
	CNP**6024A**	0.97	0.97																										
	CNP**4821A**	0.97	0.99																										
	CNP**4824A**	0.97	0.99																										
	CNP**6024A**	0.98	0.98																										
	CNP**6012A**	0.98	0.98																										
	FE4AN(B,F)005	1.00	1.00																										
	FE4ANB006	1.01	0.93																										
	FV4BN(B,F)005	1.00	0.92																										
	FV4BNB006	1.01	0.93																										
	FV4CN(B,F)048	1.01	0.97																										
	FV4CN(B,F)060	1.03	0.95																										
	FV4ANB060	1.01	1.01																										
	FV4ANF048	0.99	1.02																										
	CAP**4817A**	0.96	0.96																										
	CNP**4821A**	0.96	0.92																										
	CNP**6024A**	0.97	0.93																										
	CNP**4821A**	0.97	0.93																										
	CSPH**4812A**	0.95	0.91																										
	CSPH**6012A**	0.97	0.93																										
	CAP**6021A**	0.97	0.93																										
	CNP**4821A**	0.98	0.94																										
	CNP**4824A**	0.98	0.92																										
	CNP**6012A**	0.98	0.92																										
	CAP**6021A**	0.98	0.92																										
	CNP**4821A**	0.98	0.92																										
	CNP**4824A**	0.98	0.92																										
	CAP**6024A**	0.98	0.92																										
	CAP**6012A**	0.98	0.92																										
	CAP**6024A**	0.98	0.92																										
	CAP**6024A**	0.98	0.92																										
	CNP**4824A**	0.98	0.92																										
	CNP**6012A**	0.98	0.92																										
	CNP**4824A**	0.98	0.92																										
	CNP**6024A**	0.97	0.93																										
	CNP**6024A**	0.97	0.93																										

See notes on page 29

# DETAILED COOLING CAPACITIES# (CONTINUED)

EVAPORATOR AIR		CONDENSER ENTERING AIR TEMPERATURES ° F (° C)																	
CFM	EWB ° F (° C)	75 (23.9)			85 (29.4)			95 (35)			105 (40.6)			115 (46.1)			125 (51.7)		
		Capacity MBTuh		Total Sys. KW**	Capacity MBTuh		Total Sys. KW**	Capacity MBTuh		Total Sys. KW**	Capacity MBTuh		Total Sys. KW**	Capacity MBTuh		Total Sys. KW**	Capacity MBTuh		Total Sys. KW**
		Total	Sens†	Total	Sens†	Total	Sens†	Total	Sens†	Total	Sens†	Total	Sens†	Total	Sens†	Total	Sens†	Total	Sens†
	72 (22.2)	70.52	37.08	3.97	67.20	35.81	4.38	63.70	34.48	4.83	59.99	33.10	5.32	55.97	31.62	5.86	51.51	30.01	6.45
1750	67 (19.4)	64.33	45.47	3.92	61.31	44.20	4.33	58.13	42.87	4.78	54.75	41.49	5.27	51.12	40.02	5.82	47.11	38.42	6.40
	62 (16.7)	58.81	53.84	3.87	56.12	52.55	4.28	53.31	51.19	4.73	50.40	49.71	5.23	47.55	47.55	5.78	44.50	44.50	6.38
	57 (13.9)	57.17	57.17	3.86	55.01	55.01	4.27	52.72	52.72	4.73	50.25	50.25	5.23	47.55	47.55	5.78	44.50	44.50	6.38
2000	72 (22.2)	71.76	38.86	4.07	68.29	37.57	4.48	64.83	36.22	4.93	60.76	34.81	5.43	56.59	33.31	5.96	51.97	31.87	6.55
	67 (19.4)	65.49	48.34	4.02	62.33	47.04	4.43	59.00	45.69	4.88	55.50	44.28	5.37	51.73	42.78	5.92	47.58	41.13	6.50
	62 (16.7)	60.13	57.72	3.98	57.39	56.32	4.38	54.66	54.66	4.84	52.02	52.02	5.34	49.12	49.12	5.89	45.84	45.84	6.48
	57 (13.9)	59.48	59.48	3.97	57.15	57.15	4.38	54.68	54.68	4.84	52.03	52.03	5.34	49.12	49.12	5.89	45.85	45.85	6.48
2250	72 (22.2)	72.67	40.54	4.17	69.08	39.23	4.58	65.29	37.86	5.03	61.30	36.43	5.52	57.00	34.90	6.06	52.25	33.24	6.64
	67 (19.4)	66.34	51.06	4.12	63.07	49.75	4.53	59.84	48.38	4.98	56.04	46.94	5.47	52.17	45.40	6.01	47.92	43.88	6.60
	62 (16.7)	61.32	61.32	4.08	58.90	58.90	4.49	56.27	56.27	4.95	53.45	53.45	5.45	50.38	50.38	6.00	46.91	46.91	6.59
	57 (13.9)	61.37	61.37	4.08	58.90	58.90	4.49	56.27	56.27	4.95	53.46	53.46	5.45	50.38	50.38	6.00	46.92	46.92	6.59

COOLING INDOOR MODEL	CAPACITY	POWER	FURNACE MODEL		COOLING INDOOR MODEL	CAPACITY	POWER	FURNACE MODEL	
			Total	Sens†				Total	Sens†
*CAP**6024A**	1.00	1.00			CAP**6024A**	0.98	0.98	315(A,J)AV066155	
CAP**6021A**	0.98	1.03			CNPV**6024A**	0.98	0.98	315(A,J)AV066155	
CNPV**6024A**	0.98	0.98			CNPV**6024A**	0.98	0.98	315(A,J)AV066155	
CNPV**6024A**	0.98	0.98			CSPH**6012A**	0.98	0.98	315(A,J)AV066155	
CSPH**6012A**	0.98	0.98			CNPV**6024A**	0.97	0.97	353AAV048080	
FE4ANB006	1.00	0.96			CSPH**6012A**	0.97	0.97	353AAV048080	
FV4BNB006	1.00	0.96			CAP**6021A**	0.97	0.97	353AAV060100	
FV4CN(B,F)060	1.01	1.01			CNPV**6024A**	0.97	0.97	353AAV060100	
FV4ANB060	1.00	1.04			CSPH**6012A**	0.97	0.97	353AAV060100	
CNPV**6024A**	0.97	0.97			CAP**6024A**	0.97	0.96	353AAV060120	
CNPV**6024A**	0.97	0.97			CNPV**6024A**	0.97	0.96	353AAV060120	
CSPH**6012A**	0.97	0.97			CNPV**6024A**	0.97	0.96	353AAV060120	
CAP**6024A**	0.98	0.98			CSPH**6012A**	0.97	0.96	353AAV060120	
CNPV**6024A**	0.97	0.97			CAP**6021A**	0.94	0.94	355(A,C)AV060080	
CNPV**6024A**	0.97	0.97			CNPV**6024A**	0.94	0.94	355(A,C)AV060080	
CSPH**6012A**	0.97	0.97			CSPH**6012A**	0.95	0.95	355(A,C)AV060080	

COOLING INDOOR MODEL	CAPACITY	POWER	FURNACE MODEL	COOLING INDOOR MODEL	CAPACITY	POWER	FURNACE MODEL
CSPH**6012A**	0.95	0.95	355(A,C)AV060120	CSPH**6024A**	0.94	0.94	355(A,C)AV060120
CNPV**6024A**	0.94	0.94	355(A,C)AV060120	CNPV**6012A**	0.95	0.95	355(A,C)AV060120
CSPH**6012A**	0.95	0.95	355(A,C)AV060120	CAP**6021A**	0.96	0.96	313*AV048090
CNPV**6024A**	0.97	0.97	313*AV048090	CNPV**6024A**	0.97	0.97	313*AV048090
CSPH**6012A**	0.97	0.96	313*AV060110	CAP**6021A**	0.96	0.96	313*AV060110
CNPV**6024A**	0.97	0.96	313*AV060110	CNPV**6024A**	0.97	0.96	313*AV060110
CSPH**6012A**	0.97	0.97	313*AV060135	CSPH**6012A**	0.98	0.97	313*AV060135
CAP**6024A**	0.96	0.96	313*AV060135	CAP**6024A**	0.97	0.96	313*AV060135
CNPV**6024A**	0.97	0.96	313*AV060135	CNPV**6024A**	0.97	0.96	313*AV060135
CSPH**6012A**	0.97	0.96	313*AV060135	CSPH**6012A**	0.97	0.96	313*AV060135

See notes on page 29

† Total and sensible capacities are net capacities. Blower motor heat has been subtracted.  
 ‡ Sensible capacities shown are based on 80°F (27°C) entering air at the indoor coil. For sensible capacities at other than 80°F (27°C), deduct 835 Btu/h (245 kW) per 1000 CFM (480 L/S) of indoor coil air for each degree below 80°F (27°C), or add 835 Btu/h (245 kW) per 1000 CFM (480 L/S) of indoor coil air per degree above 80°F (27°C).  
 # Detailed cooling capacities are based on indoor and outdoor unit at the same elevation per ARI standard 210/240-94. If additional tubing length and/or indoor unit is located above outdoor unit, a slight variation in capacity may occur.  
 \*\* System kw is total of indoor and outdoor unit kilowatts.  
 EWB — Entering Wet Bulb  
 NOTE: When the required data fall between the published data, interpolation may be performed. Extrapolation is not an acceptable practice.



124A

# CONDENSER ONLY RATINGS\*

SST °F (°C)		CONDENSER ENTERING AIR TEMPERATURES °F (°C)							
		55 (12.78)	65 (18.33)	75 (23.89)	85 (29.44)	95 (35.0)	105 (40.56)	115 (46.11)	125 (51.67)
<b>124ANA018-C</b>									
30 (-1.11)	TCG	16.80	15.70	14.70	13.80	12.80	11.80	10.80	9.70
	SDT	66.70	76.10	85.40	94.80	104.30	113.70	123.20	132.70
	KW	0.78	0.90	1.03	1.18	1.34	1.53	1.72	1.94
35 (1.67)	TCG	18.60	17.40	16.40	15.30	14.20	13.20	12.00	10.90
	SDT	67.90	77.10	86.40	95.80	105.10	114.50	124.00	133.40
	KW	0.77	0.89	1.02	1.17	1.34	1.52	1.72	1.94
40 (4.44)	TCG	20.50	19.30	18.10	16.90	15.80	14.60	13.40	12.10
	SDT	69.10	78.30	87.50	96.80	106.10	115.40	124.80	134.10
	KW	0.76	0.88	1.01	1.16	1.33	1.51	1.72	1.94
45 (7.22)	TCG	22.60	21.30	20.00	18.70	17.40	16.10	14.80	13.40
	SDT	70.40	79.50	88.60	97.80	107.00	116.30	125.60	134.90
	KW	0.74	0.86	1.00	1.15	1.32	1.50	1.71	1.94
50 (10.0)	TCG	24.80	23.40	22.00	20.60	19.20	17.80	16.30	14.80
	SDT	71.80	80.70	89.80	98.90	108.00	117.20	126.40	135.60
	KW	0.73	0.85	0.99	1.14	1.31	1.49	1.70	1.93
55 (12.78)	TCG	27.20	25.60	24.10	22.50	21.00	19.40	17.90	16.30
	SDT	73.20	82.10	91.00	100.10	109.10	118.20	127.30	136.40
	KW	0.72	0.84	0.98	1.13	1.30	1.48	1.69	1.92
<b>124ANA024-D</b>									
30 (-1.11)	TCG	20.90	19.70	18.60	17.40	16.20	15.00	13.70	12.40
	SDT	66.60	76.10	85.60	95.10	104.70	114.20	123.80	133.40
	KW	0.99	1.14	1.30	1.48	1.68	1.90	2.14	2.40
35 (1.67)	TCG	23.00	21.80	20.60	19.30	18.00	16.70	15.30	13.80
	SDT	67.70	77.10	86.60	96.00	105.50	115.00	124.60	134.10
	KW	1.00	1.14	1.30	1.48	1.68	1.90	2.15	2.41
40 (4.44)	TCG	25.40	24.00	22.70	21.30	19.90	18.50	17.00	15.40
	SDT	68.80	78.20	87.60	97.00	106.40	115.80	125.30	134.80
	KW	1.00	1.14	1.30	1.48	1.69	1.91	2.15	2.42
45 (7.22)	TCG	27.80	26.40	24.90	23.50	22.00	20.40	18.80	17.10
	SDT	70.00	79.30	88.60	98.00	107.30	116.70	126.10	135.60
	KW	1.00	1.14	1.31	1.49	1.69	1.91	2.15	2.42
50 (10.0)	TCG	30.50	29.00	27.40	25.80	24.20	22.50	20.80	18.90
	SDT	71.30	80.50	89.80	99.00	108.30	117.60	127.00	136.30
	KW	1.00	1.15	1.31	1.49	1.69	1.91	2.16	2.43
55 (12.78)	TCG	33.40	31.70	30.00	28.30	26.50	24.70	22.90	20.90
	SDT	72.60	81.80	90.90	100.10	109.30	118.60	127.80	137.10
	KW	1.01	1.15	1.31	1.49	1.69	1.92	2.16	2.43
<b>124ANA030-D</b>									
30 (-1.11)	TCG	27.40	25.90	24.50	22.90	21.30	19.70	18.00	16.20
	SDT	68.50	77.80	87.20	96.60	106.00	115.40	124.90	134.30
	KW	1.25	1.43	1.63	1.85	2.09	2.35	2.63	2.93
35 (1.67)	TCG	30.20	28.60	27.00	25.30	23.60	21.90	20.00	18.00
	SDT	69.70	78.90	88.30	97.60	106.90	116.30	125.70	135.00
	KW	1.26	1.43	1.63	1.85	2.10	2.36	2.65	2.95
40 (4.44)	TCG	33.10	31.40	29.70	27.90	26.00	24.10	22.20	20.10
	SDT	70.90	80.10	89.40	98.60	107.90	117.20	126.50	135.80
	KW	1.26	1.44	1.64	1.86	2.10	2.37	2.66	2.97
45 (7.22)	TCG	36.20	34.40	32.50	30.60	28.60	26.50	24.40	22.10
	SDT	72.20	81.30	90.50	99.70	108.90	118.20	127.40	136.60
	KW	1.27	1.44	1.64	1.86	2.11	2.38	2.67	2.98
50 (10.0)	TCG	39.60	37.60	35.50	33.40	31.20	29.00	26.70	24.20
	SDT	73.60	82.60	91.70	100.90	110.00	119.20	128.30	137.40
	KW	1.27	1.45	1.65	1.87	2.12	2.39	2.68	3.00
55 (12.78)	TCG	43.00	40.80	38.60	36.30	33.90	31.50	29.00	26.40
	SDT	75.00	84.00	93.00	102.00	111.10	120.20	129.20	138.20
	KW	1.28	1.46	1.66	1.88	2.12	2.39	2.69	3.00
<b>124ANA036-C</b>									
30 (-1.11)	TCG	33.70	31.90	30.00	28.00	26.00	23.90	21.70	19.40
	SDT	72.00	81.70	91.30	101.00	110.70	120.50	130.40	140.60
	KW	1.50	1.71	1.94	2.20	2.48	2.79	3.11	3.46
35 (1.67)	TCG	37.10	35.20	33.10	31.10	28.90	26.70	24.30	21.80
	SDT	73.40	83.00	92.60	102.20	111.90	121.70	131.60	141.70
	KW	1.51	1.72	1.96	2.22	2.50	2.81	3.15	3.52
40 (4.44)	TCG	40.90	38.70	36.60	34.30	32.00	29.60	27.10	24.40
	SDT	74.60	84.30	93.90	103.50	113.10	122.90	132.70	142.80
	KW	1.52	1.74	1.97	2.23	2.52	2.84	3.19	3.56
45 (7.22)	TCG	44.80	42.50	40.20	37.80	35.40	32.80	30.10	27.20
	SDT	76.00	85.70	95.30	104.80	114.40	124.00	133.80	143.80
	KW	1.53	1.75	1.99	2.25	2.54	2.86	3.22	3.60
50 (10.0)	TCG	49.10	46.70	44.20	41.60	39.00	36.20	33.30	30.20
	SDT	77.30	87.00	96.70	106.10	115.60	125.20	134.90	144.80
	KW	1.54	1.76	2.00	2.27	2.56	2.88	3.24	3.63
55 (12.78)	TCG	53.70	51.10	48.40	45.60	42.80	39.80	36.70	33.40
	SDT	78.60	88.40	98.00	107.50	116.90	126.50	136.00	145.70
	KW	1.55	1.77	2.02	2.28	2.58	2.90	3.26	3.66

124A

See notes on page 31

# CONDENSER ONLY RATINGS\* CONTINUED

SST °F (°C)		CONDENSER ENTERING AIR TEMPERATURES °F (°C)							
		55 (12.78)	65 (18.33)	75 (23.89)	85 (29.44)	95 (35.0)	105 (40.56)	115 (46.11)	125 (51.67)
<b>124ANA042-D</b>									
30 (-1.11)	TCG	36.60	34.70	32.80	30.80	28.70	26.60	24.30	21.90
	SDT	67.50	76.90	86.30	95.70	105.10	114.60	124.00	133.30
	KW	1.80	2.03	2.28	2.56	2.86	3.20	3.57	3.96
35 (1.67)	TCG	40.30	38.20	36.10	34.00	31.70	29.40	26.90	24.30
	SDT	68.60	78.00	87.30	96.70	106.10	115.40	124.80	134.10
	KW	1.81	2.04	2.29	2.56	2.87	3.21	3.58	3.98
40 (4.44)	TCG	44.20	41.90	39.70	37.30	34.90	32.30	29.70	26.80
	SDT	69.90	79.10	88.40	97.70	107.00	116.40	125.60	134.80
	KW	1.83	2.05	2.30	2.57	2.88	3.22	3.60	4.00
45 (7.22)	TCG	48.30	45.90	43.40	40.90	38.20	35.50	32.60	29.40
	SDT	71.20	80.30	89.60	98.80	108.10	117.30	126.50	135.60
	KW	1.84	2.06	2.31	2.59	2.90	3.24	3.61	4.01
50 (10.0)	TCG	52.80	50.10	47.40	44.60	41.80	38.70	35.60	32.10
	SDT	72.60	81.60	90.80	100.00	109.10	118.30	127.40	136.40
	KW	1.85	2.07	2.32	2.60	2.91	3.25	3.62	4.02
55 (12.78)	TCG	57.50	54.60	51.60	48.60	45.40	42.10	38.70	34.90
	SDT	74.00	83.00	92.10	101.20	110.30	119.30	128.30	137.20
	KW	1.87	2.09	2.34	2.61	2.92	3.26	3.63	4.03
<b>124ANA048-C</b>									
30 (-1.11)	TCG	45.60	43.20	40.70	38.20	35.70	32.90	30.10	27.10
	SDT	70.10	79.20	88.50	97.70	107.00	116.30	125.50	134.70
	KW	2.12	2.41	2.74	3.11	3.51	3.95	4.42	4.93
35 (1.67)	TCG	50.10	47.50	44.90	42.20	39.30	36.40	33.30	30.00
	SDT	71.50	80.60	89.70	98.90	108.10	117.30	126.50	135.60
	KW	2.13	2.42	2.75	3.11	3.52	3.96	4.44	4.95
40 (4.44)	TCG	55.00	52.10	49.30	46.30	43.20	40.00	36.60	33.00
	SDT	73.00	82.00	91.10	100.20	109.30	118.40	127.50	136.50
	KW	2.14	2.43	2.76	3.12	3.53	3.97	4.45	4.97
45 (7.22)	TCG	60.10	57.00	53.90	50.70	47.30	43.80	40.10	36.20
	SDT	74.60	83.50	92.50	101.50	110.50	119.50	128.50	137.40
	KW	2.15	2.44	2.77	3.13	3.54	3.98	4.46	4.98
50 (10.0)	TCG	65.60	62.20	58.80	55.20	51.60	47.70	43.70	39.40
	SDT	76.20	85.10	93.90	102.90	111.80	120.70	129.60	138.30
	KW	2.16	2.45	2.78	3.14	3.55	3.99	4.47	4.99
55 (12.78)	TCG	71.30	67.70	63.90	60.00	56.00	51.80	47.40	42.70
	SDT	78.00	86.70	95.50	104.30	113.10	121.90	130.70	139.30
	KW	2.18	2.47	2.79	3.16	3.56	4.00	4.48	5.00
<b>124ANA060-C</b>									
30 (-1.11)	TCG	54.70	51.70	48.70	45.70	42.60	39.50	36.20	32.70
	SDT	72.50	81.40	90.40	99.40	108.50	117.60	126.70	135.80
	KW	2.46	2.78	3.14	3.53	3.97	4.46	4.99	5.57
35 (1.67)	TCG	60.20	57.00	53.80	50.50	47.10	43.60	40.00	36.10
	SDT	74.20	83.00	91.90	100.80	109.80	118.80	127.80	136.80
	KW	2.50	2.82	3.18	3.57	4.01	4.50	5.03	5.61
40 (4.44)	TCG	66.20	62.70	59.10	55.50	51.80	48.00	44.00	39.70
	SDT	76.00	84.70	93.40	102.30	111.20	120.10	128.90	137.80
	KW	2.55	2.86	3.22	3.62	4.06	4.54	5.07	5.65
45 (7.22)	TCG	72.60	68.70	64.90	60.90	56.80	52.60	48.20	43.40
	SDT	77.90	86.50	95.10	103.80	112.60	121.40	130.10	138.80
	KW	2.59	2.91	3.27	3.66	4.10	4.59	5.11	5.68
50 (10.0)	TCG	79.40	75.20	70.90	66.60	62.10	57.40	52.60	47.30
	SDT	79.90	88.30	96.90	105.50	114.10	122.80	131.40	139.90
	KW	2.65	2.96	3.32	3.72	4.15	4.63	5.16	5.73
55 (12.78)	TCG	86.60	82.00	77.30	72.50	67.60	62.50	57.20	51.40
	SDT	82.10	90.40	98.70	107.20	115.70	124.20	132.70	141.10
	KW	2.71	3.02	3.38	3.77	4.21	4.69	5.21	5.77

124A

\* ARI listing applies only to systems shown in Combination Ratings table.

**KW** - Outdoor Unit Kilowatts Only.

**SDT** - Saturated Temperature Leaving Compressor (°F)

**SST** - Saturated Temperature Entering Compressor (°F/°C)

**TCG** - Gross Cooling Capacity (1000 Btuh)

# GUIDE SPECIFICATIONS

## GENERAL

### System Description

Outdoor-mounted, air-cooled, split-system air conditioner unit suitable for ground or rooftop installation. Unit consists of a hermetic compressor, an air-cooled coil, propeller-type condenser fan, and a control box. Unit will discharge supply air upward as shown on contract drawings. Unit will be used in a refrigeration circuit to match up to a packaged fan coil or coil unit.

### Quality Assurance

- Unit will be rated in accordance with the latest edition of ARI Standard 210.
- Unit will be certified for capacity and efficiency, and listed in the latest ARI directory.
- Unit construction will comply with latest edition of ANSI/ASHRAE and with NEC.
- Unit will be constructed in accordance with UL standards and will carry the UL label of approval. Unit will have c-UL approval.
- Unit cabinet will be capable of withstanding Federal Test Method Standard No. 141 (Method 6061) 500-hr salt spray test.
- Air-cooled condenser coils will be leak tested and pressure tested.
- Unit constructed in ISO9001 approved facility.

### Delivery, Storage, and Handling

- Unit will be shipped as single package only and is stored and handled per unit manufacturer's recommendations.

### Warranty (for inclusion by specifying engineer)

- U.S. and Canada only.

## PRODUCTS

### Equipment

- Factory assembled, single piece, air-cooled air conditioner unit. Contained within the unit enclosure is all factory wiring, piping, controls, compressor, refrigerant charge Puron® (R-410A), and special features required prior to field start-up.

### Unit Cabinet

- Unit cabinet, including louvered coil guard, will be constructed of galvanized steel, bonderized, and coated with a powder coat paint.

### Fans

- Condenser fan will be direct-drive propeller type, discharging air upward.

## AIR-COOLED, SPLIT-SYSTEM AIR CONDITIONER

124A

1-1/2 TO 5 NOMINAL TONS

- Condenser fan motors will be totally enclosed, 1-phase type with class B insulation and permanently lubricated bearings. Shafts will be corrosion resistant.
- Fan blades will be statically and dynamically balanced.
- Condenser fan openings will be equipped with coated steel wire safety guards.

### Compressor

- Compressor will be hermetically sealed.
- Compressor will be mounted on rubber vibration isolators.
- Compressor will be covered with a sound absorbing blanket.

### Condenser Coil

- Condenser coil will be air cooled.
- Coil will be constructed of aluminum fins mechanically bonded to copper tubes which are then cleaned, dehydrated, and sealed.

### Refrigeration Components

- Refrigeration circuit components will include liquid-line shutoff valve with sweat connections, vapor-line shutoff valve with sweat connections, system charge of Puron® (R-410A) refrigerant, and compressor oil.
- Unit will be equipped with high-pressure switch, low pressure switch and filter drier for Puron refrigerant.

### Operating Characteristics

- The capacity of the unit will meet or exceed \_\_\_\_\_ Btuh at a suction temperature of \_\_\_\_\_ °F/°C. The power consumption at full load will not exceed \_\_\_\_\_ kW.
- Combination of the unit and the evaporator or fan coil unit will have a total net cooling capacity of \_\_\_\_\_ Btuh or greater at conditions of \_\_\_\_\_ CFM entering air temperature at the evaporator at \_\_\_\_\_ °F/°C wet bulb and \_\_\_\_\_ °F/°C dry bulb, and air entering the unit at \_\_\_\_\_ °F/°C.
- The system will have a SEER of \_\_\_\_\_ Btuh/watt or greater at DOE conditions.

### Electrical Requirements

- Nominal unit electrical characteristics will be \_\_\_\_\_ v, single phase, 60 hz. The unit will be capable of satisfactory operation within voltage limits of \_\_\_\_\_ v to \_\_\_\_\_ v.
- Unit electrical power will be single point connection.
- Control circuit will be 24v.

### Special Features

- Refer to section of this literature identifying accessories and descriptions for specific features and available enhancements.



## Free Manuals Download Website

<http://myh66.com>

<http://usermanuals.us>

<http://www.somanuals.com>

<http://www.4manuals.cc>

<http://www.manual-lib.com>

<http://www.404manual.com>

<http://www.luxmanual.com>

<http://aubethermostatmanual.com>

Golf course search by state

<http://golfingnear.com>

Email search by domain

<http://emailbydomain.com>

Auto manuals search

<http://auto.somanuals.com>

TV manuals search

<http://tv.somanuals.com>