

Please read and save these instructions. Read carefully before attempting to assemble, install, operate or maintain the product described. Protect yourself and others by observing all safety information. Failure to comply with instructions could result in personal injury and/or property damage! Retain instructions for future reference.



Oilless Compressors

Description

This residential oilless compressor is designed for do-it-yourselfers with a variety of home and automotive jobs. These compressors power spray guns, impact wrenches and other tools. Compressed air from this unit will contain moisture. Install a water filter or air dryer if application requires dry air.

Unpacking

After unpacking the unit, inspect carefully for any damage that may have occurred during transit. Make sure to tighten fittings, bolts, etc., before putting unit into service. In case of questions, damaged or missing parts, please call 1-800-543-6400 for customer assistance. Have the serial number, model number, and parts list (with missing parts circled) before calling.

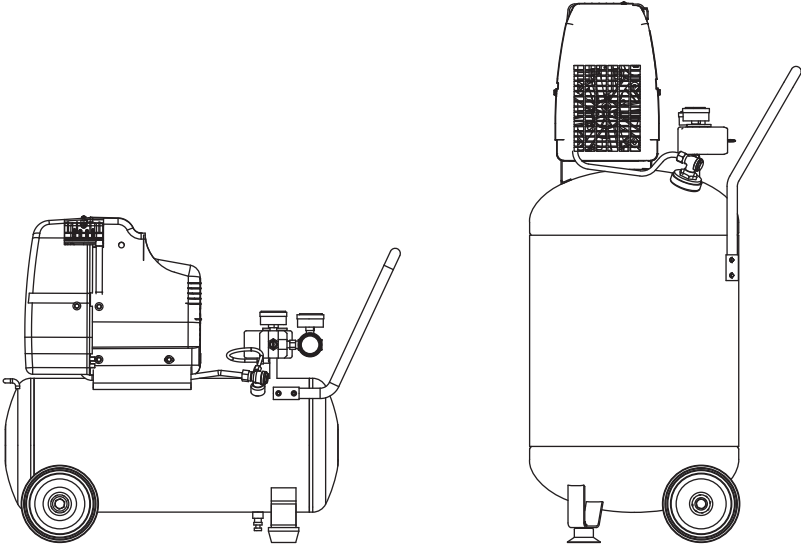


**DO NOT RETURN
THE PRODUCT TO
THE RETAILER!**

⚠ WARNING

Do not operate unit if damaged during shipping, handling or use. Damage may result in bursting and cause injury or property damage.

**READ & FOLLOW ALL INSTRUCTIONS
SAVE THESE INSTRUCTIONS
DO NOT DISCARD**



Record the Model No., Serial No. and date of purchase in the space below.

Model No. _____
Serial No. _____
Date of purchase _____

Retain these numbers for future reference.

⚠ DANGER

Breathable Air Warning

This compressor/pump is not equipped and should not be used "as is" to supply breathing quality air. For any application of air for human consumption, the air compressor/pump will need to be fitted with suitable in-line safety and alarm equipment. This additional equipment is necessary to properly filter and purify the air to meet minimal specifications for Grade D breathing as described in Compressed Gas Association Commodity Specification G 7.1 - 1966, OSHA 29 CFR 1910.134, and/or Canadian Standards Associations (CSA).

DISCLAIMER OF WARRANTIES

In the event the compressor is used for the purpose of breathing air application and proper in-line safety and alarm equipment is not simultaneously used, existing warranties shall be voided, and the manufacturer disclaims any liability whatsoever for any loss, personal injury or damage.

**REMINDER: Keep your dated proof of purchase for warranty purposes!
Attach it to this manual or file it for safekeeping.**

Safety Guidelines

This manual contains information that is very important to know and understand. This information is provided for SAFETY and to PREVENT EQUIPMENT PROBLEMS. To help recognize this information, observe the following symbols.

⚠ DANGER *Danger indicates an imminently hazardous situation which, if not avoided, WILL result in death or serious injury.*

⚠ WARNING *Warning indicates a potentially hazardous situation which, if not avoided, COULD result in death or serious injury.*

⚠ CAUTION *Caution indicates a potentially hazardous situation which, if not avoided, MAY result in minor or moderate injury.*

NOTICE *Notice indicates important information, that if not followed, may cause damage to equipment.*

NOTE: Information that requires special attention.

General Safety Information

CALIFORNIA PROPOSITION 65

⚠ WARNING *This product or its power cord may contain chemicals, including lead, known to the State of California to cause cancer and birth defects or other reproductive harm. Wash hands after handling.*

⚠ WARNING *You can create dust when you cut, sand, drill or grind materials such as wood, paint, metal, concrete, cement, or other masonry. This dust often contains chemicals known to cause cancer, birth defects, or other reproductive harm. Wear protective gear.*



GENERAL SAFETY

Since the air compressor and other components (material pump, spray guns, filters, lubricators, hoses, etc.) used, make up a high pressure pumping system, the following safety precautions must be observed at all times:

⚠ WARNING *Do not run unattended. Leaving compressor in AUTO position may allow it to turn on inadvertently. To prevent this and possible damage from power surge, turn to OFF position after each use.*

1. Read all manuals included with this product carefully. Be thoroughly familiar with the controls and the proper use of the equipment.



2. Follow all local electrical and safety codes as well as in the United States, the National Electrical Codes (NEC) and Occupational Safety and Health Act (OSHA).

3. Only persons well acquainted with these rules of safe operation should be allowed to use the compressor.

4. Keep visitors away and NEVER allow children in the work area.

5. Wear safety glasses and use hearing protection when operating the unit.



6. Do not stand on or use the unit as a handhold.

7. Before each use, inspect compressed air system and electrical components for signs of damage, deterioration, weakness or leakage. Repair or replace defective items before using.

8. Check all fasteners at frequent intervals for proper tightness.

⚠ WARNING *Motors, electrical equipment and controls can cause electrical arcs that will ignite a flammable gas or vapor. Never operate or repair in or near a flammable gas or vapor. Never store flammable liquids or gases in the vicinity of the compressor.*



⚠ CAUTION

Compressor parts may be hot even if the unit is stopped.



9. Keep fingers away from a running compressor; fast moving and hot parts will cause injury and/or burns.

10. If the equipment should start to vibrate abnormally, STOP the engine/motor and check immediately for the cause. Vibration is generally a warning of trouble.

11. To reduce fire hazard, keep engine/motor exterior free of oil, solvent, or excessive grease.



⚠ WARNING *Never remove or attempt to adjust safety valve. Keep safety valve free from paint and other accumulations.*

⚠ WARNING *Never use plastic (PVC) pipe for compressed air. Serious injury or death could result.*

⚠ DANGER *Never attempt to repair or modify a tank! Welding, drilling or any other modification will weaken the tank resulting in damage from rupture or explosion. Always replace worn, cracked or damaged tanks.*



NOTICE *Drain liquid from tank daily.*


12. Tanks rust from moisture build-up, which weakens the tank. Make sure to drain tank regularly and inspect periodically for unsafe conditions such as rust formation and corrosion.

13. Fast moving air will stir up dust and debris which may be harmful. Release air slowly when draining moisture or depressurizing the compressor system.

General Safety Information (Continued)


SPRAYING PRECAUTIONS

⚠ WARNING *Do not spray flammable materials in vicinity of open flame or near ignition sources including the compressor unit.*



14. Do not smoke when spraying paint, insecticides, or other flammable substances.

15. Use a face mask / respirator when spraying and spray in a well ventilated area to prevent health and fire hazards.



16. Do not direct paint or other sprayed material at the compressor. Locate compressor as far away from the spraying area as possible to minimize overspray accumulation on the compressor.

17. When spraying or cleaning with solvents or toxic chemicals, follow the instructions provided by the chemical manufacturer.

Assembly

HANDLE ASSEMBLY (Figures 1 and 2)

1. Place ends of handle around tank and into the mounting pipe. Align holes in handle to holes in mounting pipe.
2. Assemble four (4) screws (from parts package) through holes in mounting pipe and handle. Tighten screws.

⚠ WARNING *Never use the handle to lift the unit completely off the ground. Only use the handle to lift one end so the wheels may be used to move the unit.*

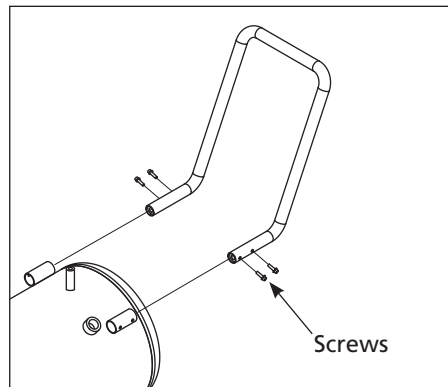


Figure 1 - Handle Assembly (horizontal unit)

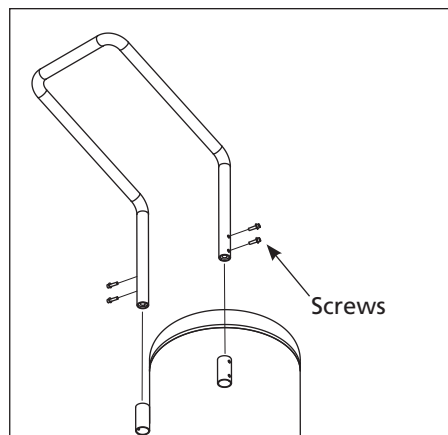


Figure 2 - Handle Assembly (vertical unit)

WHEEL ASSEMBLY (Figures 3 and 4)

Wheel assembly kit includes:

- 2 wheels*
- 2 axle bolts*
- 2 washers*
- 2 nuts*
- 2 wheel inserts*

The items marked with an asterisk (*) were shipped loose with the unit.

1. Wheel has an offset hub. Place wheel insert into center of hub. With offset hub facing axle iron, assemble axle bolt through washer and then holes in wheel and axle iron.
2. Place lock washer on axle bolt. Then tighten nut securely to threaded part of axle bolt.
3. Repeat procedure with other side.

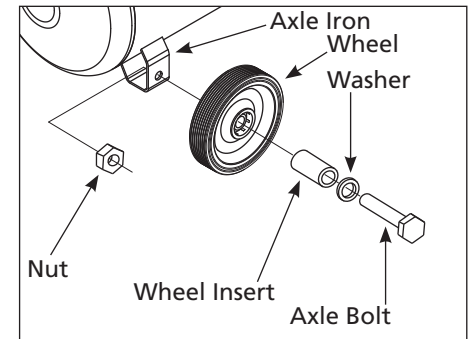


Figure 3 - Wheel Assembly (horizontal unit)

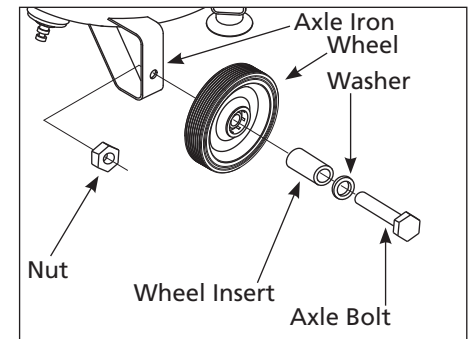


Figure 4 - Wheel Assembly (vertical unit)

Introduction

Refer to Figure 5 to locate the following items.

Pressure Switch - Auto/Off Switch - In the "AUTO" position, the compressor shuts off automatically when tank pressure reaches the maximum preset pressure. In the "OFF" position, the compressor will not operate. This switch should be in the "OFF" position when connecting or disconnecting the power cord from the electrical outlet.

Regulator - The regulator controls the amount of air pressure at the hose outlet.

ASME Safety Valve - This valve automatically releases air if the tank pressure exceeds the preset maximum.

Exhaust Tube - This tube carries compressed air from the pump to the check valve. This tube becomes very hot during use. To avoid the risk of severe burns, never touch the discharge tube.

Check Valve - One-way valve that allows air to enter the tank, but prevents air in the tank from flowing back into the compressor pump.

Handle - Designed to move the compressor.

⚠ WARNING *Never use the handle on wheeled units to lift the unit completely off the ground.*

Drain Valve - This valve is located on the bottom of the tank. Use this valve to drain moisture from the tank daily to reduce the risk of corrosion.

Pressure Gauges - These gauges will show air pressure in the compressor tank and at the compressor outlet.

Outlet Pressure Gauge - Will show air pressure at the outlet in pounds per square inch (psi). Make sure this gauge reads ZERO (by adjusting regulator knob fully counterclockwise) before changing air tools or disconnecting air hose from outlet.

Tank Pressure Gauge - Will show air pressure in tank while the compressor is running, indicating compressor is building pressure properly. This gauge will show maximum pressure of compressor when it shuts off automatically at the pressure switch.

Motor Reset - (not shown, located inside motor). Designed to keep the motor from overheating. The motor has an auto reset protector. To reset once the motor has cooled, turn the pressure switch to the OFF position, then to the AUTO position.

⚠ CAUTION *This compressor is equipped with an overload protector which will shut off motor if it becomes overloaded.*

⚠ CAUTION *If the overload protector is actuated, the motor must be allowed to cool down for approximately 30 minutes before it will reset.*

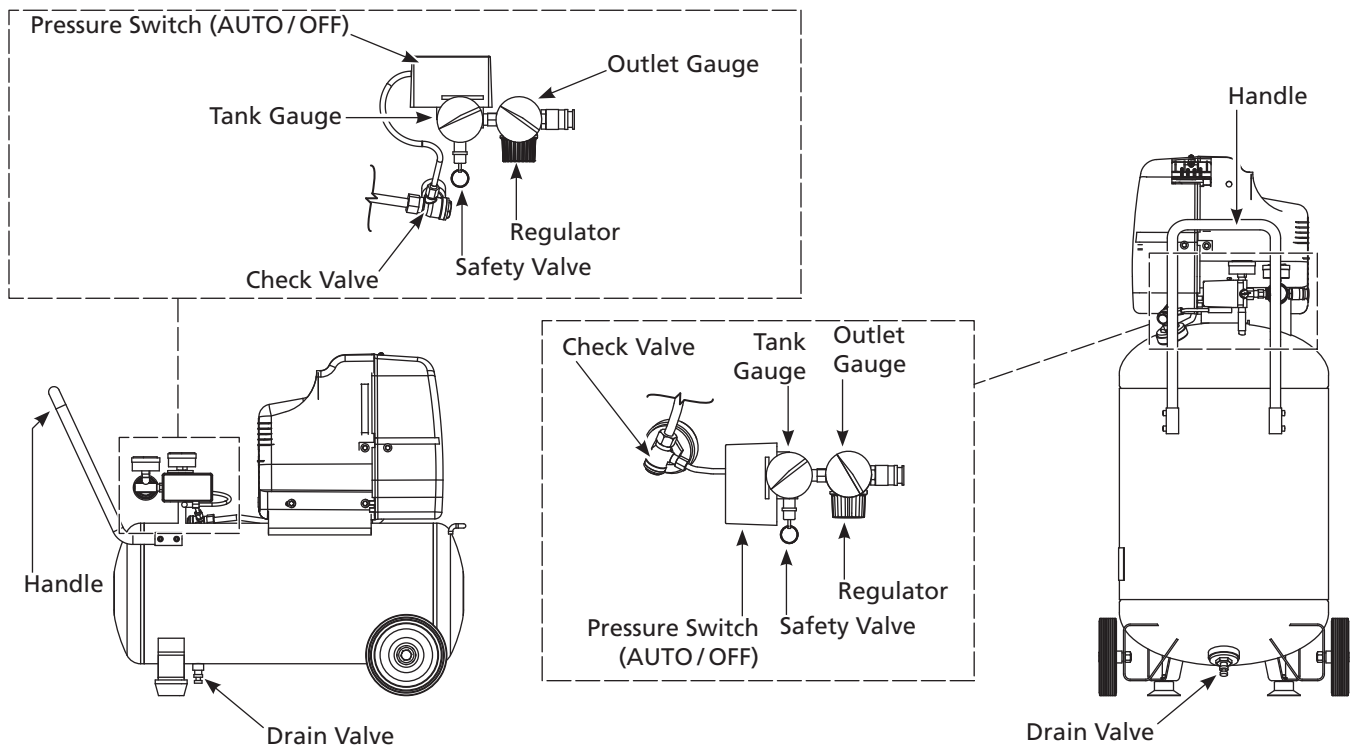


Figure 5 - Unit Identification

Installation

LOCATION

It is extremely important to install the compressor in a clean, dry, and well ventilated area. The compressor must be placed on a firm, level surface where the surrounding air temperature will not be more than 100°F.

A minimum clearance of 18 inches between the compressor and a wall is required because objects could obstruct air flow.

CAUTION Do not locate the compressor air inlet near steam, paint spray, sandblast areas or any other source of contamination. This debris will damage the motor.

ELECTRICAL INSTALLATION

WARNING All wiring and electrical connections should be performed by a qualified electrician. Installation must be in accordance with local codes and national electrical codes.



WIRING

- Local electrical wiring codes differ from area to area. Source wiring, plug and protector must be rated for at least the amperage and voltage indicated on motor nameplate, and meet all electrical codes for this minimum.
- Use a slow blow fuse or a circuit breaker.
- This product is for use on a nominal 120 volt circuit and has a grounding plug that looks like the plug illustrated in Figure 6.

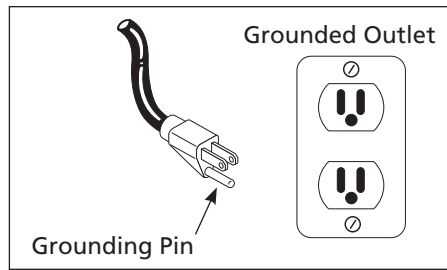


Figure 6 - Grounding Method

Make sure the product is connected to an outlet having the same configuration as the plug. This product must be grounded. In the event of an electrical short circuit, grounding reduces risk of electrical shock by providing an escape wire for electric current. This product is equipped with a cord having a grounding wire with an appropriate grounding plug. Plug must be plugged into an outlet that is properly installed and grounded in accordance with all local codes and ordinances.

CAUTION Overheating, short circuiting and fire damage will result from inadequate wiring.

Minimum Gauge of Extension Cord		
25 ft.	50 ft.	100 ft.
14	12	10

Use of an extension cord may cause excess heat to motor. This could lead to tripped breaker (at electrical panel) or tripped thermal overload (on compressor motor). If this occurs, eliminate extension cord and plug compressor directly into electrical outlet. Avoid using extension cords; use longer air hose(s) instead.

Operation

BEFORE FIRST START-UP BREAK-IN PROCEDURE

(Complete this procedure before using compressor for the first time. Once completed, it is not necessary to repeat.)

- Open drain valve located on bottom of tank.
- Turn **ON/OFF** switch to **OFF** position.
- Plug in power cord.
- Turn **ON/OFF** switch to **ON** position and run compressor for 30 minutes.
- Turn **ON/OFF** switch to **OFF** position.
- Unplug power cord.
- Close drain valve.

The compressor is now ready for use.

OPERATING PROCEDURE

- Turn switch to **OFF** position and plug in power cord.
- Turn regulator knob counterclockwise to close air flow.
- Turn switch to **AUTO** position.
- Compressor will build to maximum pressure and shut off.
- With hose attached to outlet of compressor, attach tire chuck or other tool to open end of hose.
- Adjust regulator to proper pressure for tool or tire. Operate tool per instructions.

As air is depleted from the tank by use of a tire chuck, tool, etc., the compressor will restart automatically at its preset "cut-in" pressure. When a tool is being used continuously, the compressor will cycle on and off automatically.

- Turn switch to **OFF** position, unplug power cord and drain tank of air when finished using compressor.

Maintenance

⚠ WARNING

Disconnect, tag and lock out power source, then release all pressure from the system before attempting to install, service, relocate or perform any maintenance.



Check compressor often for any visible problems and follow maintenance procedures each time compressor is used.

ASME SAFETY VALVE

⚠ WARNING

Do not remove or attempt to adjust the safety valve!

Check the safety valve by performing the following steps:

1. Plug the compressor in and run until shut off pressure is reached.
2. Wearing safety glasses, pull the ring on the safety valve to release pressure from compressor tank. Use your other hand to deflect fast-moving air from being directed toward your face.

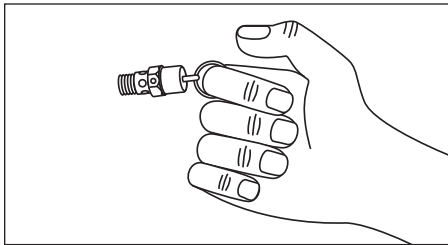


Figure 7

3. The safety valve should automatically close at approximately 40 psi - 50 psi. If the safety valve does not allow air to be released when you pull on the ring, or if it does not close automatically, it **MUST** be replaced.

⚠ WARNING

Safety valve must be replaced if it cannot be actuated or it leaks air after ring is released.

DRAIN TANK

1. Turn compressor off and release pressure from system. (To release pressure from system, pull ring on ASME safety valve. Deflect escaping air by shielding valve with one hand as you pull ring with other hand.) Pull ring until tank is empty.

⚠ CAUTION

A large amount of fast moving air will be released when the safety valve is opened with pressure in the tank. Wear ANSI approved Z87.1 safety glasses.

2. Drain moisture from tank by opening drain valve underneath tank. Tilt tank to remove all moisture.
3. Clean dust and dirt from tank, air lines and pump cover while compressor is still OFF.

INTAKE AIR FILTER MAINTENANCE

Removal, Inspection and Replacement (Figure 8).

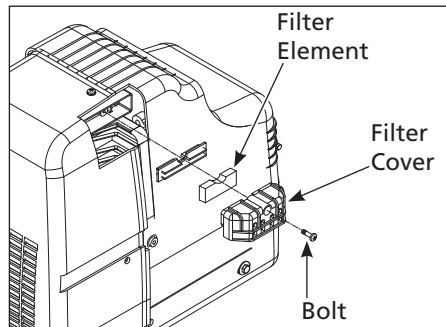


Figure 8 - Intake Filter Maintenance

The intake filter element should be removed and checked periodically. A clogged intake filter can decrease compressor performance and cause the compressor to overheat.

1. Remove bolt.
2. Remove the filter cover and filter element. Inspect each piece.
3. If the filter element is dirty or clogged, replace it.

4. Reinstall filter, cover, and bolt.

IMPORTANT: Locate unit as far from spraying area as hose will allow to prevent overspray from clogging filter.

END OF OPERATION/STORAGE

1. Turn AUTO/OFF switch to the **OFF** position.
2. Unplug power cord from wall outlet and wrap around handle to prevent damage when not in use.
3. Wearing safety glasses drain tank of air by pulling the ring on the safety valve. Use other hand to deflect fast moving air from being directed toward your face.
4. Drain tank of condensation by opening drain valve on bottom of tank. Tank pressure should be below 10 psi when draining tank.
5. Air hose should be disconnected from compressor and hung open ends down to allow any moisture to drain.
6. Compressor and hose should be stored in a cool, dry place.

TECHNICAL SERVICE

For information regarding the operation or repair of this product, please call 1-800-543-6400.

Troubleshooting Chart

Symptom	Possible Cause(s)	Corrective Action
Compressor will not run	<ol style="list-style-type: none"> 1. Switch in OFF position 2. No electrical power at wall outlet 3. Compressor has reached automatic shut-off pressure 4. Motor overheated 	<ol style="list-style-type: none"> 1. Make sure compressor is plugged in and switch is ON. 2. Check circuit breaker or fuse at electrical panel. 3. Release air from tank until compressor restarts automatically. 4. Allow compressor to cool for approximately 30 minutes so thermal overload switch will reset. Make sure compressor is run in a clean, well-ventilated area where temperature will not exceed 100°F.
Fuses blow / circuit breaker trips repeatedly	<ol style="list-style-type: none"> 1. Incorrect size fuse, circuit overloaded 2. Extension cord usage - wrong gauge wire and/or too long 3. Worn check valve 	<ol style="list-style-type: none"> 1. Check for proper fuse, use time-delay fuse. Disconnect other electrical appliances from circuit or operate compressor on its own branch circuit. 2. Remove extension cord or refer to Extension Cord Chart on page 5. 3. Replace check valve.
	<ol style="list-style-type: none"> 4. Defective unloader valve (on pressure switch) 5. Defective motor capacitor(s) 6. Defective motor 	<ol style="list-style-type: none"> 4. Replace unloader valve. 5. Replace capacitor(s). 6. Replace motor.
Tank pressure drops when compressor shuts off	<ol style="list-style-type: none"> 1. Loose connections (fittings, tubing, etc.) 2. Open tank drain valve 3. Tank leaks 	<ol style="list-style-type: none"> 1. Check all connections with soap and water solution. Tighten; or remove and apply pipe dope or pipe tape to the threads, then reassemble. 2. Close tank drain valve. 3. Check tank for leaks with soap and water solution. If leak is detected, tank must be replaced with genuine replacement part.
Compressor runs continuously and/or air output is lower than normal/low discharge pressure	<ol style="list-style-type: none"> 1. Excessive air usage 2. Clogged intake filter 3. Open tank drain valve 4. Air leaks in piping (on machine or in outside system) 5. Piston ring worn 6. Broken valve (in pump) 7. Tank leaks 8. Defective pressure switch 	<ol style="list-style-type: none"> 1. Decrease air usage; compressor not large enough for air requirement. 2. Clean or replace filter. 3. Close tank drain valve. 4. Check all connections with soap and water solution. Tighten; or remove and apply pipe dope or pipe tape to the threads, then reassemble. 5. Replace piston and cylinder. 6. Replace valve. 7. Check tank for leaks with soap and water solution. If leak is detected, tank must be replaced with genuine replacement part. 8. Replace switch.

⚠ DANGER *Do not disassemble check valve with air pressure in tank; bleed tank.*

Troubleshooting Chart (Continued)

Symptom	Possible Cause(s)	Corrective Action
Excessive moisture in discharge air	<ol style="list-style-type: none"> 1. Excessive water in tank 2. High humidity 	<ol style="list-style-type: none"> 1. Drain tank. 2. Move to area of less humidity; use air line filter.
Knocks, rattles, and/or excessive vibration	<ol style="list-style-type: none"> 1. Loose mounting bolts 2. Tank not level 3. Cylinder or piston is worn/ scored 	<ol style="list-style-type: none"> 1. Tighten bolts. 2. Use sturdy wedge / object to bring tank to level position. 3. Replace or repair as necessary.
Compressor runs continuously and safety valve opens as pressure rises	<ol style="list-style-type: none"> 1. Defective pressure switch 2. Defective safety valve 	<ol style="list-style-type: none"> 1. Replace switch. 2. Replace safety valve with genuine replacement part.
Air leaking from unloader valve on pressure switch	<ol style="list-style-type: none"> 1. Check valve stuck in an open position 2. Unloader valve stuck in open position 	<ol style="list-style-type: none"> 1. Replace check valve. 2. Replace unloader valve. <p>⚠ DANGER <i>Do not disassemble check valve with air pressure in tank; bleed tank.</i></p>

Limited Warranty

1. DURATION: From the date of purchase by the original purchaser as follows: One Year.
 2. WHO GIVES THIS WARRANTY (WARRANTOR):
Campbell Hausfeld / Scott Fetzer Company, 100 Production Drive, Harrison, Ohio, 45030, Telephone: (800) 543-6400.
 3. WHO RECEIVES THIS WARRANTY (PURCHASER): The original purchaser (other than for purposes of resale) of the Campbell Hausfeld compressor.
 4. WHAT PRODUCT IS COVERED BY THIS WARRANTY: This Campbell Hausfeld air compressor.
 5. WHAT IS COVERED UNDER THIS WARRANTY: Substantial defects due to material and workmanship with the exceptions noted below.
 6. WHAT IS NOT COVERED UNDER THIS WARRANTY:
 - A. Implied warranties, including those of merchantability and FITNESS FOR A PARTICULAR PURPOSE ARE LIMITED FROM THE DATE OF ORIGINAL PURCHASE AS STATED IN THE DURATION. If this compressor is used for commercial, industrial or rental purposes, the warranty will apply for ninety (90) days from the date of purchase. Some States do not allow limitations on how long an implied warranty lasts, so the above limitations may not apply to you.
 - B. ANY INCIDENTAL, INDIRECT, OR CONSEQUENTIAL LOSS, DAMAGE, OR EXPENSE THAT MAY RESULT FROM ANY DEFECT, FAILURE, OR MALFUNCTION OF THE CAMPBELL HAUSFELD PRODUCT. Some States do not allow the exclusion or limitations of incidental or consequential damages, so the above limitation or exclusion may not apply to you.
 - C. Any failure that results from an accident, purchaser's abuse, neglect or failure to operate products in accordance with instructions provided in the owner's manual(s) supplied with compressor.
 - D. Pre-delivery service, e.g. assembly, oil or lubricants, and adjustment.
 - E. Items or service that are normally required to maintain the product, e.g. lubricants, filters and gaskets, etc.
 - F. Gasoline engines and components are expressly excluded from coverage under this limited warranty. The Purchaser must comply with the warranty given by the engine manufacturer which is supplied with the product.
 - G. Additional items not covered under this warranty:
 1. All Compressors
 - a. Any component damaged in shipment or any failure caused by installing or operating unit under conditions not in accordance with installation and operation guidelines or damaged by contact with tools or surroundings.
 - b. Pump or valve failure caused by rain, excessive humidity, corrosive environments or other contaminants.
 - c. Cosmetic defects that do not interfere with compressor functionality.
 - d. Electric motors, check valves and pressure switches.
 - e. Drain cocks.
 - f. Damage due to incorrect voltage or improper wiring.
 - g. Other items not listed but considered general wear parts.
 - h. Pressure switches, air governors and safety valves modified from factory settings.
 2. Lubricated Compressors
 - a. Pump wear or valve damage caused by using oil not specified.
 - b. Pump wear or valve damage caused by any oil contamination or by failure to follow proper oil maintenance guidelines.
 3. Belt Drive / Direct Drive / Gas Driven Compressors
 - a. Belts.
 - b. Ring wear or valve damage from inadequate filter maintenance.
 - c. Manually adjusted load/unload and throttle control devices.
 7. ADDITIONAL WARRANTY LIMITATIONS FOR UNITS WITH THE 10 YEAR "TOUGH TANK" GUARANTEE.
 - A. WHAT IS COVERED BY THE 10 YEAR "TOUGH TANK" GUARANTEE:
 1. At the warrantor's option, replace any tank or product which is found to have a manufacturer's defect in the tank for ten (10) years from the date of purchase by the original purchaser and subject to the exclusions below.
 - B. WHAT IS NOT COVERED BY THE 10 YEAR "TOUGH TANK" GUARANTEE:
 1. The compressor and all parts other than the tank, consult the written warranty issued for your specific compressor model.
 2. Defects in the tank not related to a manufacture's defect including but not limited to:
 - a. Failures due to rust.
 - b. Failures due to corrosive environments.
 - c. Failures due to neglect or abuse.
 3. Any tank that has been altered in any way.
 4. Any tank used for anything other than its original intended purpose.
 5. Any unit that has been fitted with any non-OEM parts.
 6. Labor to replace a defective tank.
 8. RESPONSIBILITIES OF WARRANTOR UNDER THIS WARRANTY: Repair or replace, at Warrantor's option, compressor or component which is defective, has malfunctioned and/or failed to conform within the duration of the specific warranty period.
 9. RESPONSIBILITIES OF PURCHASER UNDER THIS WARRANTY:
 - A. Provide dated proof of purchase and maintenance records.
 - B. Portable compressors or components must be delivered or shipped to the nearest Campbell Hausfeld Authorized Service Center. Freight costs, if any, must be borne by the purchaser.
 - C. Use reasonable care in the operation and maintenance of the products as described in the owner's manual(s).
 10. WHEN WARRANTOR WILL PERFORM REPAIR OR REPLACEMENT UNDER THIS WARRANTY: Repair or replacement will be scheduled and serviced according to the normal work flow at the servicing location, and depending on the availability of replacement parts.
- This Limited Warranty applies in the U.S., Canada and Mexico only and gives you specific legal rights. You may also have other rights which vary from State to State or country to country.

Veillez lire et conserver ces instructions. Lire attentivement avant de commencer à assembler, installer, faire fonctionner ou entretenir l'appareil décrit. Protégez-vous et les autres en observant toutes les informations sur la sécurité. Négliger d'appliquer ces instructions peut résulter en des blessures corporelles et/ou en des dommages matériels ! Conserver ces instructions pour références ultérieures.



Compresseur Sans Huile

Description

Ce compresseur résidentiel sans huile est conçu pour les bricoleurs avec une variété de travaux résidentiels et automobiles. Ces compresseurs actionnent les pistolets vaporisateurs, les clés à chocs, et autres outils. L'air comprimé produit par ce modèle va contenir de l'humidité. Installer un filtre ou un sécheur d'air si votre application requiert de l'air sec.

Déballage

Après avoir déballé ce produit, l'inspecter attentivement pour tout signe de dommages en transit. Resserrer tout raccord, boulon, etc., avant de mettre ce produit en service. En cas de questions, dommage ou de pièces manquantes, composer le 1-800-543-8622 pour demander conseil. Avoir en main le numéro de série, numéro de modèle et liste de pièces (avec les pièces manquantes encerclées) avant d'appeler.

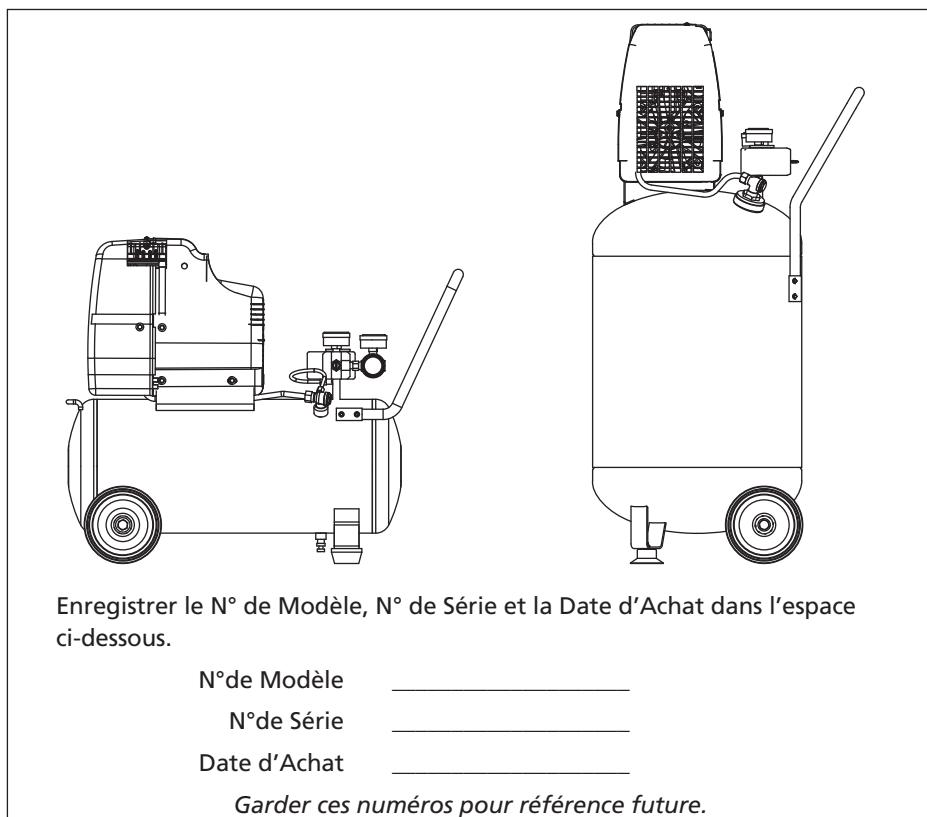


**NE PAS RENVOYER
LE PRODUIT AU
MARCHAND!**



AVERTISSEMENT *Ne pas utiliser un modèle qui a été endommagé pendant le transport, la manipulation ou l'utilisation. Le dommage peut résulter en explosion et peut causer des blessures ou dégâts matériels.*

**LIRE ET SUIVRE TOUTES LES
INSTRUCTIONS
CONSERVER CES INSTRUCTIONS
NE PAS JETER**



▲ DANGER

Avertissement D'Air Respirable

Ce compresseur/pompe n'est pas équipé pour et ne devrait pas être utilisé "comme soi" pour fournir de l'air respirable. En cas d'applications d'air pour la consommation humaine, le compresseur d'air/pompe doit être équipé avec de l'équipement de sécurité en canalisation et d'alarme. Cet équipement additionnel est nécessaire pour filtrer et purifier l'air afin d'atteindre les spécifications minimales pour la respiration Grade D décrites dans le Compressed Gas Association Commodity Specification G 7.1 - 1966, OSHA 29 CFR 1910. 134, et/ou Canadian Standards Associations (CSA).

DÉNÉGATION DES GARANTIES

Si le compresseur est utilisé pour les applications d'air respirable et l'équipement de sécurité en canalisation et d'alarme n'est pas utilisé simultanément, les garanties en existence seront annulées, et Campbell Hausfeld nie toute responsabilité pour n'importe quelle perte, blessure ou dommage.

MÉMENTO: Gardez votre preuve datée d'achat à fin de la garantie!
Joignez-la à ce manuel ou classez-la dans un dossier pour plus de sécurité.

Directives de Sécurité

Ce manuel contient de l'information très importante qui est fournie pour la SÉCURITÉ et pour ÉVITER LES PROBLÈMES D'ÉQUIPEMENT. Rechercher les symboles suivants pour cette information.

⚠ DANGER *Danger indique une situation dangereuse imminente qui MÈNERA à la mort ou à des blessures graves si elle n'est pas évitée.*

⚠ AVERTISSEMENT *Avertissement indique une situation potentiellement dangereuse qui, si elle n'est pas évitée, POURRAIT mener à la mort ou à de graves blessures.*

⚠ ATTENTION *Attention indique une situation potentiellement dangereuse qui, si elle n'est pas évitée, PEUT mener à des blessures mineures ou modérées.*

AVIS *Avis indique de l'information importante qui pourrait endommager l'équipement si elle n'est pas respectée.*

REMARQUE: L'information qui exige une attention spéciale.

Généralités sur la Sécurité

PROPOSITION 65 DE CALIFORNIE

⚠ AVERTISSEMENT *Ce produit ou son cordon peuvent contenir des produits chimiques, y compris du plomb, relevés par l'État de Californie comme cause de cancer, d'anomalies congénitales ou d'autres problèmes reproductifs. Lavez-vous les mains après toute manipulation.*

⚠ AVERTISSEMENT *Vous pouvez créer de la poussière en coupant, ponçant, perçant ou meulant les matériaux tels que le bois, la peinture, le métal, le béton, le ciment ou autre maçonnerie. Cette poussière contient souvent des produits chimiques reconnus pour causer le cancer, les déformations congénitales ou autres problèmes de la reproduction. Porter de l'équipement de protection.*



GÉNÉRALITÉS SUR LA SÉCURITÉ

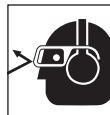
Puisque le compresseur d'air et les autres pièces détachées (pompe, pistolets, filtres, graisseurs, tuyaux, etc.) font partie d'un système de haute pression, il est nécessaire de suivre les précautions suivantes:

⚠ AVERTISSEMENT *Ne pas faire fonctionner sans supervision. Laisser le compresseur sur la position AUTO peut causer un démarrage accidentel et de possibles dommages par surtension, le mettre sur OFF après chaque utilisation.*

1. Lire attentivement tous manuels compris avec ce produit. Se familiariser avec ce produit, ses commandes et son utilisation.
2. Suivre tous les codes de sécurité et d'électricité locaux ainsi que les codes des É-U; National Electrical Codes (NEC) et Occupational Safety and Health Act (OSHA).
3. Seules les personnes bien familiarisées avec ces règlements d'utilisation doivent être autorisées à se servir du compresseur.
4. Garder les visiteurs à l'écart de/et NE JAMAIS permettre les enfants dans l'endroit de travail.



5. Utiliser des lunettes de sécurité et la protection auditive pendant l'utilisation du modèle.
6. Ne pas se tenir debout sur/ni utiliser le modèle comme une prise à main.
7. Inspecter le système d'air comprimé et pièces détachées électriques pour toute indication de dommage, détérioration, faiblesse ou fuites avant chaque utilisation. Réparer ou remplacer toutes pièces défectueuses avant l'utilisation.
8. Inspecter le degré de serrage de toutes les attaches par intervalles régulières.



⚠ AVERTISSEMENT *Les moteurs, l'équipement et les commandes électriques peuvent causer des arcs électriques qui peuvent allumer un gaz ou une vapeur inflammable. Ne jamais utiliser ou réparer le modèle près d'un gaz ou d'une vapeur inflammable. Ne jamais entreposer les liquides ou gaz inflammables près du compresseur.*



⚠ ATTENTION *Les pièces du compresseur peuvent être chaudes même si le modèle est hors circuit.*



9. Garder les doigts à l'écart du compresseur; les pièces mobiles et chaudes peuvent causer des blessures et/ou des brûlures.
10. Si l'équipement vibre anormalement, ARRÊTER le moteur et l'inspecter immédiatement. La vibration est généralement une indication d'un problème.
11. Pour réduire le risque d'incendie, garder l'extérieur du moteur libre d'huile, de solvants et de graisse excessive.



⚠ AVERTISSEMENT *Ne jamais enlever ou essayer d'ajuster la soupape de sûreté. Tenir la soupape de sûreté libre de peinture et d'autres accumulations.*

⚠ AVERTISSEMENT *Ne jamais utiliser des tuyaux en plastique (CPV) pour l'air comprimé. Ceci peut causer des blessures graves ou la mort.*

⚠ DANGER *Ne jamais essayer de réparer ni de modifier un réservoir! Le soudage, perçage ou autre modifications peuvent affaiblir le réservoir et peuvent résulter en dommage de rupture ou d'explosion. Toujours remplacer un réservoir usé, fendu ou endommagé.*



AVIS *Purger le liquide du réservoir quotidiennement.*

12. L'accumulation d'humidité cause la rouille qui peut affaiblir le réservoir. Purger le réservoir régulièrement et l'inspecter périodiquement pour la rouille et la corrosion ou autres conditions dangereuses.
13. L'air mouvante peut agiter la poussière et le débris qui peut être dangereux. Dissiper l'air lentement en purgeant l'humidité ou pendant la dépressurisation du système de compresseur.

Directives de Sécurité (Suite)

PRÉCAUTIONS DE PULVÉRISATION

⚠ AVERTISSEMENT *Ne pas pulvériser des matériaux inflammables près d'une flamme ni près d'une source d'ignition y inclus le compresseur.*



14. Ne pas fumer pendant la pulvérisation de peinture, d'insecticides ou d'autres substances inflammables.

15. Utiliser un masque / respirateur pendant la pulvérisation et pulvériser dans un endroit bien ventilé pour éviter les dangers de santé et d'incendie.



16. Ne pas pulvériser vers le compresseur. Situer le compresseur aussi loin que possible de l'endroit de pulvérisation pour minimiser l'accumulation de surpulvérisation sur le compresseur.

17. Pour pulvériser ou nettoyer avec des solvants ou produits chimiques toxiques, suivre les instructions fournies par le fabricant du produit chimique.

Assemblage

ASSEMBLAGE DE LA POIGNÉE

(Figures 1 et 2)

1. Placer les extrémités de la poignée autour du réservoir et dans le tuyau de montage. Aligner les trous de la poignée avec les trous du tuyau de montage.
2. Assembler quatre (4) vis (du paquet de pièces) à travers les trous du tuyau de montage et de la poignée. Resserrer les vis.

⚠ AVERTISSEMENT *Ne jamais utiliser la poignée pour soulever tout l'appareil du sol. Utiliser seulement la poignée pour soulever une extrémité pour que les roues puissent servir à déplacer l'appareil.*

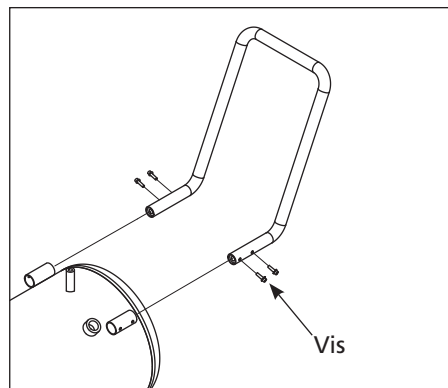


Figure 1 - Assemblage de la Poignée (modèle horizontal)

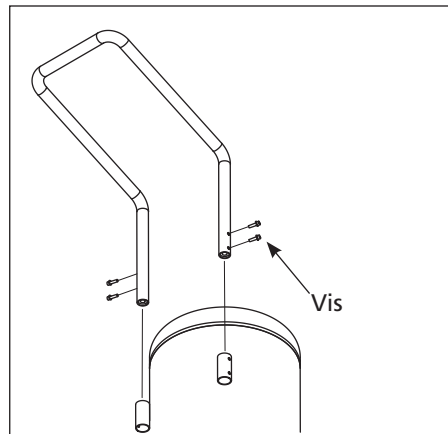


Figure 2 - Assemblage de la Poignée (modèle vertical)

ASSEMBLAGE DE ROUE

(Figures 3 et 4)

La trousse d'assemblage de la roue inclut:

- 2 roues*
- 2 boulons d'essieu*
- 2 rondelles*
- 2 écrous*
- 2 garniture de roue*

Les articles portant un astérisque (*) ont été expédiés desserrés avec l'appareil.

1. La roue a un moyeu décentré. Placer la garniture de roue au centre du moyeu. Avec le moyeu décentré face au fer d'essieu, assembler le boulon d'essieu à travers la rondelle puis les trous dans la roue et le fer d'essieu.
2. Placer la rondelle de blocage sur le boulon d'essieu. Bien resserrer l'écrou sur la partie fileté du boulon d'essieu.
3. Répéter la procédure de l'autre côté.

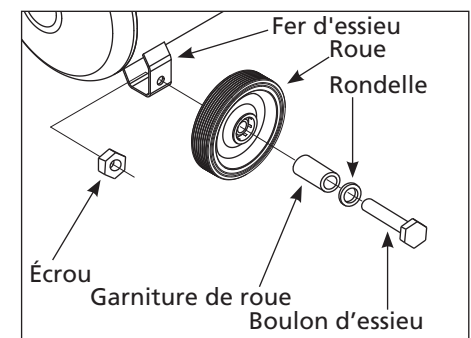


Figure 3 - Assemblage de Roue (modèle horizontal)

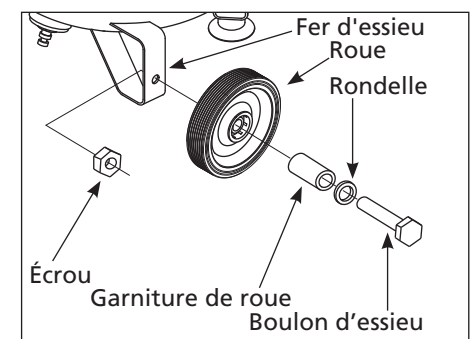


Figure 4 - Assemblage de Roue (modèle vertical)

Introduction

Se référer à la Figure 3.

Manostat - Interrupteur Auto /Off - Dans la position "AUTO", le compresseur se coupe automatiquement quand la pression du réservoir atteint la pression maximum réglée d'avance. Une fois que l'air est usé du réservoir et baisse à un niveau réglé d'avance, le manostat remet le moteur en marche (on) automatiquement. Dans la position "OFF", le compresseur ne fonctionnera pas. Cet interrupteur devrait être dans la position "OFF" pendant le branchement ou le débranchement du cordon d'alimentation de la prise de courant ou pendant le changement d'outils pneumatiques.

Régulateur - Le régulateur sert à régler la pression d'air à la sortie de tuyau.

Soupape de Sûreté ASME -

Cette soupape laisse échapper l'air automatiquement si la pression du réservoir dépasse la pression maximum réglée d'avance.

Tuyau de Décharge - Ce tuyau transporte l'air comprimé de la pompe au clapet. Ce tuyau devient très chaud pendant l'utilisation. Pour éviter le risque des brûlures sévères, ne jamais toucher le tuyau de décharge.

Clapet - Une soupape à sens unique qui permet l'arrivée d'air dans le réservoir mais ne permet pas que l'air se recule dans la pompe.

Poignée - Conçue pour le déplacement du compresseur.

⚠ AVERTISSEMENT *Ne jamais utiliser la poignée sur les modèles avec roues pour soulever le modèle.*

Robinet de Purge de Réservoir -

Cette soupape est située au fond du réservoir. Utiliser cette soupape pour purger l'humidité du réservoir quotidiennement afin de réduire le risque de corrosion.

Manomètre(s) - Ces manomètres indiquent la pression d'air dans le réservoir du compresseur et à la sortie du compresseur.

Manomètre de sortie - Ce manomètre indique la pression d'air à la sortie, mesurée en kPa (psi). S'assurer que le manomètre est à ZERO (en tournant le bouton du régulateur complètement dans le sens antihoraire) avant de changer les outils ou de débrancher le tuyau de la sortie d'air.

Manomètre du réservoir - Ce manomètre indique la pression d'air dans le réservoir pendant le fonctionnement du compresseur, ce qui confirme que le compresseur est en train d'augmenter la pression de manière appropriée. Ce manomètre indique la pression maximum du compresseur quand il s'éteint automatiquement à la pression limite.

Réinitialisation du moteur - (non illustré, se trouve à l'intérieur du moteur). Conçu pour empêcher le moteur de surchauffer. Le moteur a un protecteur de réinitialisation automatique. Pour réinitialiser après le refroidissement du moteur, tourner le pressostat à la position « OFF » (arrêt) puis à la position « AUTO ».

⚠ ATTENTION *Ce compresseur est doté d'un protecteur de surcharge qui coupera le moteur s'il surchauffe.*

⚠ ATTENTION *Si le protecteur de surchauffe est activé, il faut laisser le moteur refroidir pendant environ 30 minutes avant de le réutiliser.*

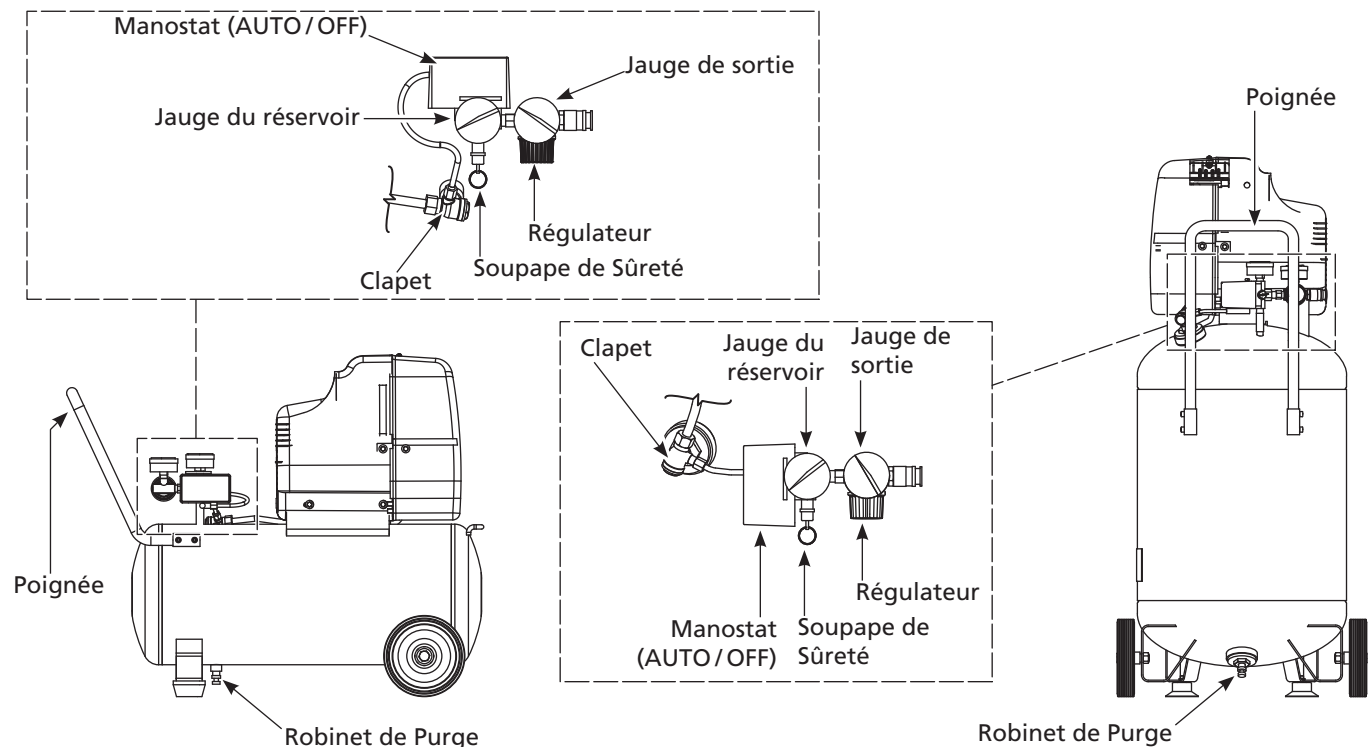


Figure 5 - Identification du Modèle

Installation

ENDROIT

Il est extrêmement important d'installer le compresseur dans un endroit propre, sec et bien ventilé. Le compresseur doit être placé sur une surface solide et à niveau dont la température ambiante ne dépasse pas 38°C (100°F).

Un espace libre minimum de 45,7 centimètres entre le compresseur et un mur est exigé pour éviter le stoppage d'air par des objets.

ATTENTION *Ne pas situer la prise d'air du compresseur près de la vapeur, un jet pulvérisé de peinture, endroits de décapage au sable ou autre sources de contamination. Le débris endommagera le moteur.*

INSTALLATION ÉLECTRIQUE

AVERTISSEMENT *Seul un électricien qualifié doit effectuer l'installation électrique et raccordements électriques. Respecter toutes les codes locaux et nationaux de l'électricité.*



CÂBLAGE

1. Les codes de câblage électrique locaux diffèrent d'un endroit à l'autre. Le câblage source, la fiche et le protecteur doivent être d'une valeur nominale d'au moins l'ampérage et la tension indiqués sur la plaque signalétique du moteur et doivent répondre à tous les codes électriques pour ce minimum.
2. Utiliser un fusible à action retardée ou un disjoncteur.
3. Ce produit est conçu pour l'utilisation d'un circuit de 120 volts et a une fiche de mise à la terre comme celle indiquée sur la Figure 6.

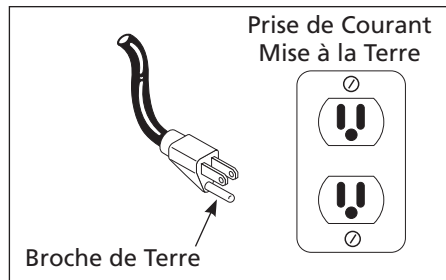


Figure 6 - Méthode de Mise à la Terre

S'assurer que l'appareil est branché à une prise de courant qui a la même configuration que la fiche. Ce produit doit être mis à la terre. Dans l'événement d'un court-circuit, la mise à la terre diminue le risque de secousse électrique en fournissant un fil d'échappement pour le courant électrique. Ce produit est équipé avec un cordon qui a un fil de terre avec une fiche de terre. La fiche doit être branchée dans une prise de courant qui a été installée et mise à la terre correctement en respectant tous les codes et règlements locaux.

ATTENTION *Un câblage inadéquat cause la surchauffe, les court-circuit et les dommages d'incendie.*

Calibre minimum de la rallonge		
7,5 m	15 m	30 m
14	12	10

Utiliser une rallonge pourrait mener à une chaleur excessive au moteur. Ceci pourrait mener au déclenchement du disjoncteur (au panneau électrique) ou au déclenchement de la surcharge thermique (sur le moteur du compresseur). Si ceci se produit, éliminer la rallonge et brancher le compresseur directement dans la prise de courant. Éviter d'utiliser des rallonges, utiliser plutôt un(des) tuyau(x) à air plus long(s).

Fonctionnement

AVANT LE PREMIER DÉMARRAGE PROCÉDURE DE RODAGE

(Cette procédure doit être terminée avant d'utiliser le compresseur pour la première fois. Ensuite, il n'est pas nécessaire de la refaire.)

1. Ouvrir le robinet de vidange au bas du réservoir.
2. Mettre l'interrupteur marche/arrêt à la position « **OFF** » (**ARRÊT**).
3. Brancher le cordon d'alimentation.
4. Mettre l'interrupteur marche/arrêt à la position « **ON** » (**MARCHE**) et faire fonctionner le compresseur pendant 30 minutes.
5. Mettre l'interrupteur marche/arrêt à la position « **OFF** » (**ARRÊT**).
6. Débrancher le cordon d'alimentation.
7. Fermer le robinet de vidange.

Le compresseur est maintenant prêt à être utilisé.

PROCÉDURE DE FONCTIONNEMENT

1. Tourner l'interrupteur à la position **OFF** et brancher le cordon d'alimentation.
2. Tourner le bouton du régulateur dans le sens antihoraire pour fermer le débit d'air.
3. Tourner l'interrupteur à la position **AUTO**.
4. Le compresseur accumulera la pression jusqu'à ce qu'il atteigne la pression maximum et s'arrêtera.
5. Avec la tuyau branché à la sortie du compresseur, brancher le mandrin d'air ou un autre outil à l'extrémité ouverte du tuyau.
6. Ajuster le régulateur à la bonne pression pour l'outil ou le pneu. Utiliser l'outil conformément aux instructions.

Au fur et à mesure que l'air du réservoir est épuisé par le mandrin ou l'outil, etc., le compresseur se met en marche automatiquement à la pression pré réglée d'enclenchement. Quand on utilise un outil continuellement, le compresseur commencera un cycle automatique de marche / arrêt.

7. Quand on a terminé d'utiliser le compresseur, tourner l'interrupteur à la position **OFF**, débrancher le cordon d'alimentation et vidanger le réservoir d'air.

Entretien

⚠ AVERTISSEMENT

Débrancher de la source de puissance et ensuite dissiper toute la pression du système avant d'essayer d'installer, de réparer, de déplacer ou de procéder à l'entretien.



Inspecter le compresseur souvent et suivre les procédés d'entretien suivants pendant chaque utilisation du compresseur.

SOUPEPE DE SÛRETÉ ASME

⚠ AVERTISSEMENT

Ne jamais enlever ni essayer d'ajuster la soupape de sûreté!

Vérifier la soupape de sûreté de la manière suivante:

1. Brancher le compresseur et le faire fonctionner jusqu'à ce qu'il atteigne la pression d'arrêt (voir procédure de fonctionnement).
2. Porter des lunettes de sécurité, tirer l'anneau sur la soupape de sûreté pour dégager la pression du réservoir du compresseur. Utiliser l'autre main pour éloigner l'air se déplaçant rapidement vers le visage.

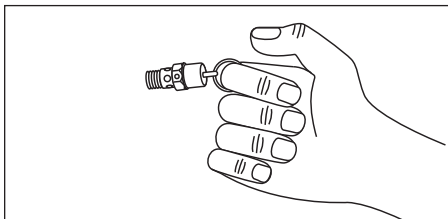


Figure 7

3. La soupape de sûreté se fermera automatiquement à environ 276 kPa - 345 kPa. Si la soupape ne laisse pas sortir l'air en tirant sur l'anneau, ou si elle ne se ferme pas automatiquement, il FAUT la remplacer.

⚠ AVERTISSEMENT

S'il y a une fuite après que la soupape soit lâchée ou si la soupape ne fonctionne pas, elle devrait être remplacée.

PURGER LE RÉSERVOIR

1. Éteindre le compresseur et dégager la pression du système. (Pour dégager la pression du système, tirer sur la soupape de sûreté ASME. Éloigner l'air qui s'échappe en protégeant la soupape d'une main tout en tirant de l'autre.) Tirer l'anneau jusqu'à ce que le réservoir soit vide.

⚠ ATTENTION

Une grande quantité d'air se déplaçant rapidement sera dégagée en ouvrant la soupape de sûreté à cause de la pression dans le réservoir. Porter des lunettes de sécurité Z87.1 approuvées par ANSI.

2. Drainer l'humidité du réservoir en ouvrant le robinet de vidange sous le réservoir. Pencher le réservoir pour en retirer toute l'humidité.
3. Nettoyer la poussière et la saleté du réservoir, des conduites d'air et le couvercle de pompe tandis que le compresseur est encore arrêté (OFF).

ENTRETIEN DU FILTRE D'AIR D'ASPIRATION

Retrait, inspection et remplacement (Figure 8).

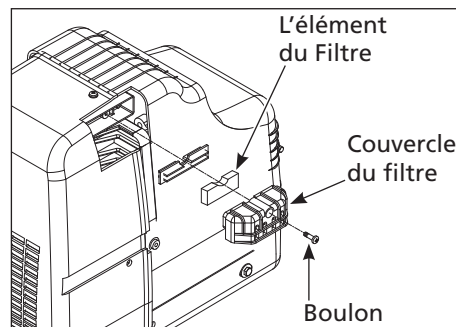


Figure 8 - Entretien du Filtre d'aspiration

Il faut retirer l'élément du filtre d'aspiration et le vérifier régulièrement. Un filtre d'aspiration bloqué peut réduire la performance du compresseur et provoquer une surchauffe du compresseur.

1. Retirer le boulon.
2. Retirer le couvercle du filtre et l'élément du filtre. Inspecter chaque pièce.

3. Si l'élément du filtre est sale ou bloqué, remplacer l'élément.
4. Réinstaller le filtre, le couvercle et le boulon.

IMPORTANT: Placer l'unité aussi loin que possible du secteur de pulvérisation pour éviter que la surpulvérisation bloque le filtre.

CONCLUSION DU TRAVAIL/ ENTREPOSAGE

1. Mettre l'interrupteur AUTO/OFF à la position « OFF » (ARRÊT).
2. Débrancher le cordon d'alimentation de la prise et l'enrouler autour du manche pour éviter de l'endommager pendant l'entreposage.
3. En portant des lunettes de sécurité, vidanger l'air du réservoir en tirant l'anneau de la soupape de sûreté. À l'aide de l'autre main, détourner l'air se déplaçant rapidement, pour protéger le visage.
4. Vidanger le réservoir de toute condensation en ouvrant le robinet de vidange au fond du réservoir. La pression du réservoir doit être sous 69 kPa quand on vidange le réservoir.
5. Le tuyau doit être débranché du compresseur et suspendu avec les bouts ouverts face en bas pour laisser couler toute humidité.
6. Le compresseur et le tuyau doivent être rangés dans un endroit frais et sec.

SERVICE TECHNIQUE

Pour des informations concernant le fonctionnement ou la réparation de ce produit, composer le 1-800-543-6400.

Guide De Dépannage

Symptôme	Cause(s) possible(s)	Mesure(s) corrective(s)
Le compresseur ne fonctionne pas	<ol style="list-style-type: none"> 1. Interrupteur en position "OFF" (arrêt) 2. Aucun courant à la prise de courant murale 3. Le compresseur a atteint la pression d'arrêt automatique 4. Moteur surchauffé 5. Connexions électriques dégagées 6. Interrupteur MARCHE/ARRÊT défectueux 7. Mauvais pressostat 8. Moteur défectueux 	<ol style="list-style-type: none"> 1. S'assurer que le compresseur est branché et que l'interrupteur est à ON (marche). 2. Vérifier le disjoncteur ou les fusibles au coffret électrique. 3. Dégager l'air du réservoir jusqu'à ce que le compresseur redémarre automatiquement. 4. Laisser le compresseur refroidir pendant 30 minutes pour que l'interrupteur de surcharge thermique se réinitialise. S'assurer que le compresseur fonctionne dans un endroit propre, bien ventilé où la température ne dépasse pas 38°C (100 ° F). 5. Vérifier toutes les connexions électriques. 6. Remplacer l'interrupteur ON/OFF. 7. Remplacer le pressostat. 8. Remplacer le montage de pompe / moteur.
Fusibles sautés/ le disjoncteur se déclenche à maintes reprises	<ol style="list-style-type: none"> 1. Taille de fusible incorrect, surcharge 2. Utilisation de rallonge - Calibre inadéquat de la rallonge et/ou rallonge trop longue 3. Soupape de retenue usée 4. Soupape de décharge défectueuse (sur le manostat) 5. Condensateur(s) de moteur défectueux 6. Moteur défectueux 	<ol style="list-style-type: none"> 1. Vérifier le type de fusible, utiliser un fusible à retardement. Débrancher les autres appareils électriques du circuit ou faire fonctionner le compresseur sur un circuit unique. 2. Retirer la rallonge ou se reporter au Tableau de Rallonges, page 15. 3. Remplacer la soupape de retenue. ⚠ DANGER <i>Ne pas démonter le clapet de non-retour avec de l'air dans le réservoir ; purger le réservoir.</i> 4. Remplacer la soupape de décharge. 5. Remplacer le condensateur(s). 6. Remplacer le moteur.
Perte de pression dans le réservoir à air quand le compresseur se coupe	<ol style="list-style-type: none"> 1. Raccordements dégagés (raccords, tuyaux, etc.) 2. Ouvrir le robinet de vidange du réservoir 3. Fuite du réservoir 	<ol style="list-style-type: none"> 1. Vérifier tous les raccordements avec de l'eau savonneuse. Resserrer; ou retirer et appliquer aux filets un produit scellant ou de ruban pour filets, puis remonter. 2. Fermer le robinet de vidange du réservoir. 3. Vérifier le réservoir pour les fuites avec une solution de savon et d'eau. S'il y a une fuite, le réservoir doit être remplacé avec une pièce de rechange d'origine.
Le compresseur fonctionne continuellement et/ou la sortie d'air est plus basse que la pression de décharge normale/ faible	<ol style="list-style-type: none"> 1. Utilisation d'air excessive 2. Filtre d'entrée obstrué 3. Ouvrir le robinet de vidange du réservoir 4. Fuites d'air dans la tuyauterie (sur le modèle ou dans le système extérieur) 5. Anneau de piston usé 6. Soupape brisée (dans la pompe) 7. Fuites du réservoir 8. Manostat défectueux 	<ol style="list-style-type: none"> 1. Réduire l'utilisation d'air; le compresseur n'est pas assez large pour la demande d'air. 2. Nettoyer ou remplacer le filtre. 3. Fermer le robinet de vidange du réservoir. 4. Vérifier tous les raccordements avec de l'eau savonneuse. Resserrer; ou retirer et appliquer aux filets un produit scellant ou de ruban pour filets, puis remonter. 5. Remplacer. 6. Remplacer la soupape. 7. Vérifier le réservoir pour les fuites avec une solution de savon et d'eau. S'il y a une fuite, le réservoir doit être remplacé avec une pièce de rechange d'origine. 8. Remplacer le manostat.

Guide De Dépannage (Suite)

Symptôme	Cause(s) possible(s)	Mesure(s) corrective(s)
Humidité excessive dans l'air de débit	<ol style="list-style-type: none"> 1. Eau excessive dans le réservoir 2. Humidité élevée 	<ol style="list-style-type: none"> 1. Purger le réservoir. 2. Déplacer à un endroit moins humide; utiliser un filtre en canalisation d'air.
Frappe, cogne et/ou vibration excessive	<ol style="list-style-type: none"> 1. Boulons de montage desserrés 2. Réservoir n'est pas à niveau 3. Le cylindre ou le piston est usé/ marqué 	<ol style="list-style-type: none"> 1. Resserrer les boulons. 2. Utiliser un objet/coin solide pour ramener le réservoir à la position à niveau. 3. Remplacer ou réparer au besoin.
Le compresseur fonctionne continuellement et la soupape de sécurité s'ouvre tandis que la pression monte	<ol style="list-style-type: none"> 1. Manostat défectueux 2. Soupape de sécurité défectueuse 	<ol style="list-style-type: none"> 1. Remplacer le manostat. 2. Remplacer la soupape de sécurité avec des pièces de rechange authentiques.
Fuite d'air du clapet de marche sur le manostat	<ol style="list-style-type: none"> 1. Le clapet de non-retour colle en position ouverte 2. Le clapet de marche colle en position ouverte 	<ol style="list-style-type: none"> 1. Remplacer le clapet de non-retour. 2. Remplacer le clapet de marche.

▲ DANGER

Ne pas démonter le clapet de non-retour avec de l'air dans le réservoir ; purger le réservoir.

Garantie Limitée

1. DURÉE: À partir de la date d'achat par l'acheteur original comme suit : Un An.
2. GARANTIE ACCORDÉE PAR (GARANT): Campbell Hausfeld/Scott Fetzer Company, 100 Production Drive, Harrison, Ohio, 45030, Téléphone: (800) 543-6400.
3. BÉNÉFICIAIRE DE CETTE GARANTIE (ACHETEUR): L'acheteur original (sauf en cas de revente) du produit Campbell Hausfeld.
4. PRODUITS COUVERTS PAR CETTE GARANTIE: Ce compresseur d'air Campbell Hausfeld.
5. COUVERTURE DE LA PRÉSENTE GARANTIE: Défauts de matière et de fabrication considérables avec les exceptions indiquées ci-dessous.
6. LA PRÉSENTE GARANTIE NE COUVRE PAS:
 - A. Les garanties implicites, y compris celles de commercialisabilité et D'ADAPTION À UNE FONCTION PARTICULIÈRE SONT LIMITÉES À PARTIR DE LA DATE D'ACHAT INITIALE TELLE QU'INDIQUÉE DANS LA SECTION DURÉE. Si ce compresseur d'air est utilisé pour une fonction commerciale ou pour la location, la durée de la garantie sera quatre-vingt-dix (90) jours à compter de la date d'achat. Certaines Provinces /Certains États ne permettent pas de limitations de durée pour les garanties implicites, donc les limitations précédentes peuvent ne pas s'appliquer dans ce cas.
 - B. TOUT DOMMAGE, PERTE OU DÉPENSE FORTUIT OU INDIRECT POUVANT RÉSULTER DE TOUT DÉFAUT, PANNE OU MAUVAIS FONCTIONNEMENT DU PRODUIT CAMPBELL HAUSFELD. Quelques Provinces (États) n'autorisent pas l'exclusion ni la limitation des dommages fortuits ou indirects. La limitation ou l'exclusion précédente peut ne donc pas s'appliquer.
 - C. Toute panne résultant d'un accident, d'une utilisation abusive, de la négligence ou d'une utilisation ne respectant pas les instructions données dans le(s) manuel(s) accompagnant le produit.
 - D. Service avant livraison; par ex. le montage, l'huile ou les lubrifiants et les réglages.
 - E. Articles ou services qui sont exigés pour l'entretien normal du produit; par ex. lubrifiants, filtres et joints d'étanchéités.
 - F. Les moteurs à essence et les pièces détachées sont expressément exclus de cette garantie limitée. L'acheteur doit observer la garantie du fabricant de moteur qui est fournie avec le produit.
 - G. Articles supplémentaires qui ne sont pas couverts sous cette garantie:
 1. Tous les Compresseurs
 - a. Toutes pièces détachées endommagées pendant l'expédition, n'importe quelle panne causée par un montage ou fonctionnement du modèle sous des conditions qui ne conforment pas aux directives de montage et de fonctionnement ou dommage causée par le contact avec les outils ou les alentours.
 - b. La panne de la pompe ou de la soupape causée par la pluie, l'humidité excessive, un environnement corrosif ou autres polluants.
 - c. Les défauts de forme qui n'ont pas d'effet sur le fonctionnement du compresseur.
 - d. Les moteurs électriques, les clapets, et les manostats.
 - e. Robinets de vidange.
 - r. Dommage dû à la tension ou installation de fils incorrecte.
 - g. Autres articles pas indiqués mais considérés pièces à fatigue générales.
 - h. Manostats, régulateurs d'air et soupapes de sûreté qui ont été modifiés d'après les réglages de l'usine.
 2. Compresseurs Graissés
 - a. Usure de la pompe ou dommage aux soupapes causé par l'utilisation d'huile non-spécifiée.
 - b. Usure de la pompe ou dommage aux soupapes causé par toute contamination d'huile ou par le manque de suivre les directives d'entretien d'huile.
 3. Commande par Courroie / Commande Directe / Compresseurs à Essence
 - a. Courroies
 - b. Usure de bagues causée par l'entretien de filtre insuffisant
 - c. Appareils manuels de chargement/déchargement et appareils de commande d'obturateur.
7. D'AUTRES LIMITATIONS DE GARANTIE POUR LES UNITES AVEC UNE GARANTIE DE 10 ANS DE « RESERVOIR SOLIDE. »
 - A. CE QUI EST COUVERT PAR LA GARANTIE DE 10 ANS DE « RESERVOIR SOLIDE » :
 1. À la discrétion du garant, remplacer tout réservoir ou produit qui s'avère avoir un défaut de fabrication dans le réservoir pendant dix (10) ans de la date d'achat par l'acheteur original et sujet aux exclusions plus bas.
 - B. CE QUI N'EST PAS COUVERT PAR LA GARANTIE DE 10 ANS DE « RESERVOIR SOLIDE » :
 1. Le compresseur et toutes les pièces autres que le réservoir, consulter la garantie écrite émise pour ce modèle de compresseur précis.
 2. Les défauts du réservoir non reliés à un défaut de fabrication incluant, mais sans s'y limiter :
 - a. Défaillances à cause de rouille.
 - b. Défaillances à cause d'environnements corrosifs.
 - c. Défaillances à cause de négligence ou abus.
 3. Tout réservoir qui a été modifié de quelque façon que ce soit.
 4. Tout réservoir utilisé pour toute chose autre que son but original prévu.
 5. Tout appareil auquel l'on a ajouté toutes pièces non-OEM.
 6. La main d'œuvre pour remplacer un réservoir défectueux.
8. RESPONSABILITÉS DU GARANT AUX TERMES DE CETTE GARANTIE: Réparation ou remplacement, au choix du Garant, d'un compresseur ou d'une pièce détachée qui se sont révélés défectueux ou qui ne se sont pas conformés pendant la durée de validité de la garantie.
9. RESPONSABILITÉS DE L'ACHETEUR AUX TERMES DE CETTE GARANTIE:
 - A. Fournir une preuve d'achat datée et un état d'entretien.
 - B. La livraison ou expédition des compresseurs portatifs ou des pièces détachées au Centre De Service Autorisé Campbell Hausfeld. Taux de frais, si applicables, sont la responsabilité de l'acheteur.
 - C. Utilisation et entretien du produit avec un soin raisonnable, ainsi que le décrivent le(s) manuel(s) d'utilisation.
10. RÉPARATION OU REMPLACEMENT EFFECTUÉ PAR LE GARANT AUX TERMES DE LA PRÉSENTE GARANTIE: La réparation ou le remplacement sera prévu et exécuté en fonction de la charge de travail dans le centre de service et dépendra de la disponibilité des pièces de rechange. Cette Garantie Limitée s'applique aux É.-U., au Canada et au Mexique seulement et vous donne des droits juridiques précis. L'acheteur peut également jouir d'autres droits qui varient d'une Province, d'un État ou d'un Pays à l'autre.

Por favor lea y guarde estas instrucciones. Léalas cuidadosamente antes de tratar de montar, instalar, operar o dar mantenimiento al producto aquí descrito. Protéjase usted mismo y a los demás observando toda la información de seguridad. ¡El no cumplir con las instrucciones puede ocasionar daños, tanto personales como a la propiedad! Guarde estas instrucciones para referencia en el futuro.



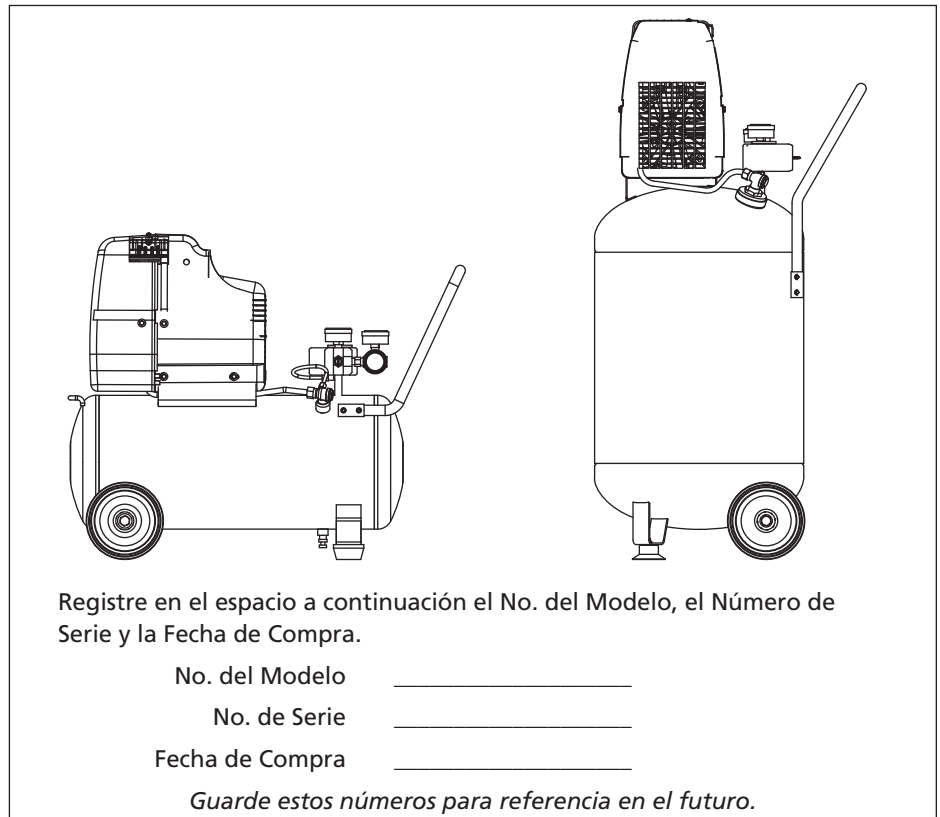
Compresores Sin Aceite

Descripción

Este compresor sin aceite ha sido diseñado para personas con habilidades manuales para llevar a cabo una variedad de proyectos relacionados con el hogar o el vehículo. Estos compresores alimentan pistolas de rociado, herramientas de impacto y otras herramientas. El aire comprimido producido por esta unidad contiene humedad. Instale un filtro para agua o un secador de aire si la aplicación requiere de aire seco.

Desempaque

Cuando desempaque la unidad, inspecciónela cuidadosamente para verificar si se han producido daños durante el transporte. Asegúrese de apretar todos los accesorios, pernos, etc. que estén sueltos antes de poner la unidad en servicio. En el caso de que haya daño o partes que faltan, haga el favor de llamar al 1-800-543-8622 para obtener ayuda. Tenga a mano el número de serie, el número del modelo y la lista de partes (con las partes que faltan marcadas con un círculo) antes de llamar.



**NE PAS RENVOYER
LE PRODUIT AU
MARCHAND!**



ADVERTENCIA No debe utilizar la unidad si se ha dañado durante el envío, manejo o uso. Los daños podrían ocasionar una explosión y ocasionarle heridas o daños a su propiedad.

**LEA Y SIGA TODAS LAS INSTRUCCIONES
GUARDE ESTAS INSTRUCCIONES
NO LAS DESECHE**

⚠ PELIGRO

Advertencia sobre el aire respirable

Este compresor/cabezal no viene listo de fábrica para suministrarle aire respirable. Antes de utilizarlos con este fin, deberá instalarle un sistema de seguridad y alarma incorporado a la línea. Este sistema adicional es necesario para filtrar y purificar el aire adecuadamente, para cumplir con las especificaciones mínimas sobre aire respirable de Grado D descritas en la Especificación de Productos G 7.1 - 1966 de la Asociación de Aire Comprimido. Igualmente, deberá cumplir los requisitos establecidos por el Artículo 29 CFR 1910. 134 de la Organización norteamericana OSHA y/o la Canadian Standards Associations (CSA).

RENUNCIA A LAS GARANTIAS

Si el compresor se utiliza para producir aire respirable SIN haberle instalado el sistema de seguridad y alarma, todas la garantías se anularán y la compañía Campbell Hausfeld. no asumirá NINGUNA responsabilidad por pérdidas, heridas personales o daños.

RECORDATORIO: ¡Guarde su comprobante de compra con fecha para fines de la garantía!
Adjúntela a este manual o archívela en lugar seguro.

Medidas de Seguridad

Este manual contiene información que es muy importante que sepa y comprenda. Esta información se la suministramos como medida de SEGURIDAD y para EVITAR PROBLEMAS CON EL EQUIPO. Debe reconocer los siguientes símbolos.

▲ PELIGRO Peligro indica una situación

inminentemente peligrosa, que si no se evita, dará como resultado la muerte o lesiones graves.

▲ ADVERTENCIA Advertencia indica una situación

potencialmente peligrosa, que si no se evita, PODRÍA ocasionar la muerte o lesiones graves.

▲ PRECAUCION Precaución indica una situación

potencialmente peligrosa, que si no se evita, PUEDE dar como resultado lesiones leves o moderadas.

AVISO

Aviso indica una información

importante, que de no seguirla, le podría ocasionar daños al equipo.

NOTA: Información que requiere atención especial.

Informaciones Generales de Seguridad

PROPOSICIÓN 65 DE CALIFORNIA

▲ ADVERTENCIA Este producto, o su cable de corriente

pueden contener químicos, incluido plomo, que es conocido por el Estado de California como causante de cáncer y defectos de nacimiento u otros daños reproductivos. Lávese las manos después de manipularlo.

▲ ADVERTENCIA Cuando corta

lija, taladra o pule materiales como por ejemplo madera, pintura, metal, hormigón, cemento, u otro tipo de mampostería se puede producir polvo. Con frecuencia este polvo contiene productos químicos que se conocen como causantes de cáncer, defectos congénitos u otros daños reproductivos. Use equipo de protección.



GENERALES SEGURIDAD

Como el compresor de aire y otros componentes usados (bomba de material, pistolas pulverizadoras, filtros, lubricadores, mangueras, etc.) integran un sistema de alta presión, en todo momento deberá seguir las siguientes medidas de seguridad:

▲ ADVERTENCIA No lo haga funcionar sin

supervisión El dejar el compresor en la posición AUTO puede causar que se encienda inadvertidamente. Para prevenir que eso ocurra y posibles daños por un aumento de tensión, apague el compresor después de cada uso.

1. Lea con cuidado todos los manuales incluidos con este producto.

Familiarícese con los controles y el uso adecuado del equipo.



2. Siga todos los códigos de seguridad laboral y electricidad establecidos en su país, por ejemplo, los de la NEC y OSHA en EUA.

3. Sólo personas bien familiarizadas con estas medidas de seguridad deben utilizar el compresor.

4. Mantenga a los visitantes alejados y NUNCA permita la presencia de niños en el área de trabajo.

5. Use anteojos de seguridad y protéjase los oídos para operar la unidad.



6. No se encarama sobre la unidad ni la use para sostenerse.

7. Antes de cada uso, revise el sistema de aire comprimido y los componentes eléctricos para ver si están dañados, deteriorados o hay fugas. Antes de usarlo cerciórese de reemplazar las piezas defectuosas.

8. Chequé con frecuencia todas la conexiones y cerciórese de que estén bien apretadas.

▲ ADVERTENCIA Los

motores, equipos eléctricos y controles, pueden ocasionar arcos eléctricos que se encenderían con gases o vapores inflamables. Nunca utilice o repare el compresor cerca de gases o vapores inflamables. Nunca almacene líquidos o gases inflamables cerca del compresor.



▲ PRECAUCION Las piezas del compresor podrían estar calientes, inclusive cuando la unidad esté apagada.



9. Mantenga los dedos alejados del compresor cuando esté funcionando; las piezas en movimiento o calientes le ocasionarían heridas y/o quemaduras.

10. Si el equipo comienza a vibrar excesivamente, APAGUE la unidad y chequéela inmediatamente para determinar el problema. Generalmente, la vibración se debe a una falla.

11. Para reducir el peligro de incendios, mantenga el exterior del compresor limpio (sin aceite, solvente o exceso de grasa).



▲ ADVERTENCIA DEBE instalarle una válvula de seguridad ASME que esté diseñada para presiones máximas de 10,34 bar en el tanque de este compresor. Esta válvula debe estar diseñada para los valores máximos de flujo y presión para proteger los componentes bajo presión contra el peligro de explosión.

▲ ADVERTENCIA Nunca use tuberías de plástico (PVC) en sistemas de aire comprimido. El compresor sin las tapas de protección. El hacerlo podría ocasionarle heridas o daños a su propiedad.

▲ PELIGRO ¡Nunca trate de reparar o modificar el tanque! Al soldarlo, taladrarlo orificios o modificarlo de cualquier otro modo éste se debilitaría y podría romperse o explotar. Siempre reemplace los tanques desgastados, rotos o dañados.



AVISO

Drene el tanque diariamente.

12. Los tanques se oxidan debido a la acumulación de humedad. Cerciórese de drenar el tanque con regularidad e inspéccionelo periódicamente para ver si no está en buenas condiciones, por ejemplo si está oxidado.

13. Si expulsa aire rápidamente podría levantar polvo o residuos dañinos. Libere el aire lentamente para drenar el tanque o liberar la presión del compresor.

Informaciones Generales de Seguridad (Continuación)

PRECAUCIONES PARA ROCIAR

⚠ ADVERTENCIA *Nunca rocíe materiales inflamables cerca de llamas al descubierto o fuentes de ignición, incluyendo el compresor.*



14. No fume mientras esté rociando pintura, insecticidas u otras sustancias inflamables.

15. Use una máscara / respirador cuando vaya a rociar y siempre rocíe en un área bien ventilada, para evitar peligros de salud e incendios.



16. Nunca rocíe la pintura y otros materiales, directamente hacia el compresor. Coloque el compresor lo más lejos posible del área de trabajo, para minimizar la acumulación de residuos en el compresor.

17. Al rociar o limpiar con solventes o químicos tóxicos, siga las instrucciones del fabricante de dichos químicos.

Ensamblaje

ENSAMBLAJE DEL MANGO

(Figuras 1 y 2)

1. Coloque los extremos del mango alrededor del tanque y dentro de la tubería de montaje. Alinee los orificios del mango con los orificios de la tubería de montaje.
2. Instale los 4 (cuatro) tornillos (del paquete de piezas) a través de los orificios de la tubería de montaje y del mango. Apriete los tornillos.

⚠ ADVERTENCIA *Nunca use el mango para levantar la unidad completamente. Use el mango solamente para levantar un extremo para que las ruedas puedan usarse para mover la unidad.*

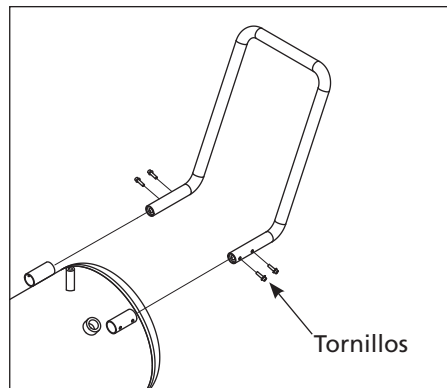


Figura 1 - Ensamblaje del Mango (modelo horizontal)

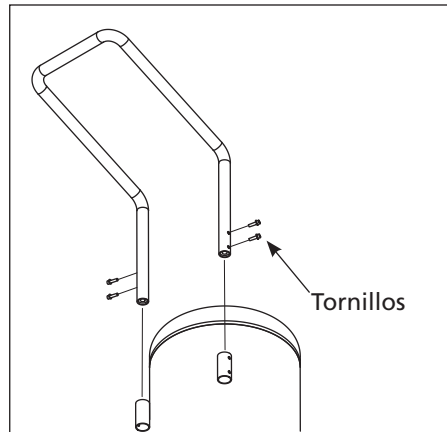


Figura 2 - Ensamblaje del Mango (modelo vertical)

ENSAMBLAJE DE LA RUEDA

(Figuras 3 y 4)

El juego del ensamble de la rueda incluye:

- 2 ruedas*
- 2 pernos de eje*
- 2 arandelas*
- 2 tuercas*
- 2 inserto de la rueda *

Los artículos marcados con asterisco (*) se despacharon sueltos con la unidad.

1. La rueda tiene un cubo descentrado. Coloque la inserción de la rueda en el centro del cubo. Con el cubo descentrado hacia el hierro del eje, instale el perno del eje a través de la arandela y de los orificios de la rueda y del hierro del eje.
2. Coloque la arandela de presión en el perno del eje. Luego apriete la tuerca de modo seguro a la parte roscada del perno del eje.
3. Repita el procedimiento con el otro lado.

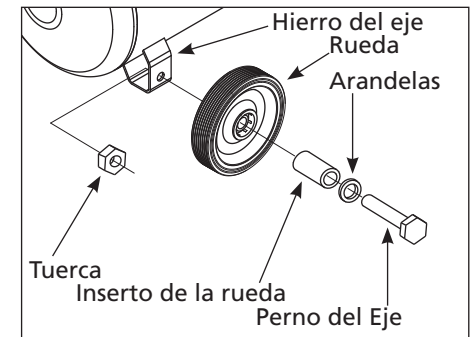


Figura 3 - Ensamblaje de la Rueda (modelo horizontal)

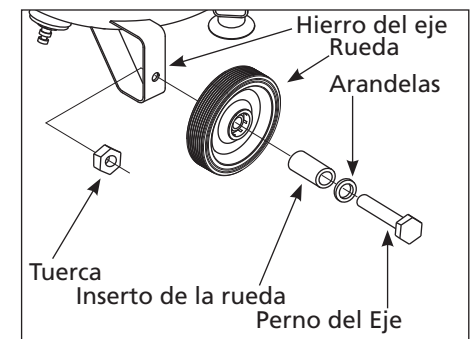


Figura 4 - Ensamblaje de la Rueda (modelo vertical)

Introducción

Vea la Figura 3.

Presostato - Sistema de encendido automático - En la posición "AUTO", el compresor se apaga automáticamente cuando la presión del tanque alcanza la presión máxima fijada. En la posición "OFF", el compresor no puede funcionar. El presostato debe colocarse en "OFF" para conectar o desconectar el cordón eléctrico del tomacorrientes o para cambiar la herramienta neumática.

Regulador - El regulador controla la cantidad de presión de aire expulsada por la manguera.

Válvula de Seguridad ASME - Esta válvula automáticamente libera el aire si la presión del tanque excede el valor máximo fijado de fábrica.

Tubería de Descarga - Este tubería transporta el aire comprimido del cabezal a la válvula de chequeo. Esta tubería se calienta excesivamente durante el uso. Para evitar quemaduras graves, nunca la toque.

Válvula de Chequeo - Esta válvula solo permite que el aire entre al tanque y evita que éste se regrese al cabezal.

Mango - Diseñado para mover el compresor.

⚠ ADVERTENCIA *Nunca use el mango de las unidades con ruedas para levantar completamente la unidad.*

Válvula de Drenaje - Esta válvula está ubicada debajo del tanque. Úsela para drenar la humedad del tanque diariamente, para evitar que el tanque se oxide.

Manómetros - Estos manómetros indican la presión de aire en el tanque del compresor y a la salida del compresor.

Manómetro de salida - Indica la presión de aire a la salida en libras por pulgada cuadrada (bar / psi). Asegúrese de que este manómetro indique CERO (girando la perilla completamente en sentido antihorario) antes de cambiar herramientas o desconectar la manguera de la salida.

Manómetro del tanque - Indica la presión de aire en el tanque mientras en compresor esté en marcha, confirmando que el compresor está aumentando la presión adecuadamente. Este manómetro indica la presión máxima del compresor cuando el interruptor de presión lo apague automáticamente.

Reinicio del motor - (no se muestra, ubicado dentro del motor). Diseñado para evitar que el motor se recaliente. El motor tiene un protector de reinicio automático. Para reiniciar una vez que se haya enfriado el motor, coloque el interruptor en la posición de apagado (OFF) y luego en la posición de automático (AUTO).

⚠ PRECAUCION *Este compresor está equipado con un protector de sobrecarga que apagará el motor si éste se sobrecarga.*

⚠ PRECAUCION *Si se activa el protector de sobrecarga, se debe dejar enfriar el motor durante aproximadamente 30 minutos antes de que se reinicie.*

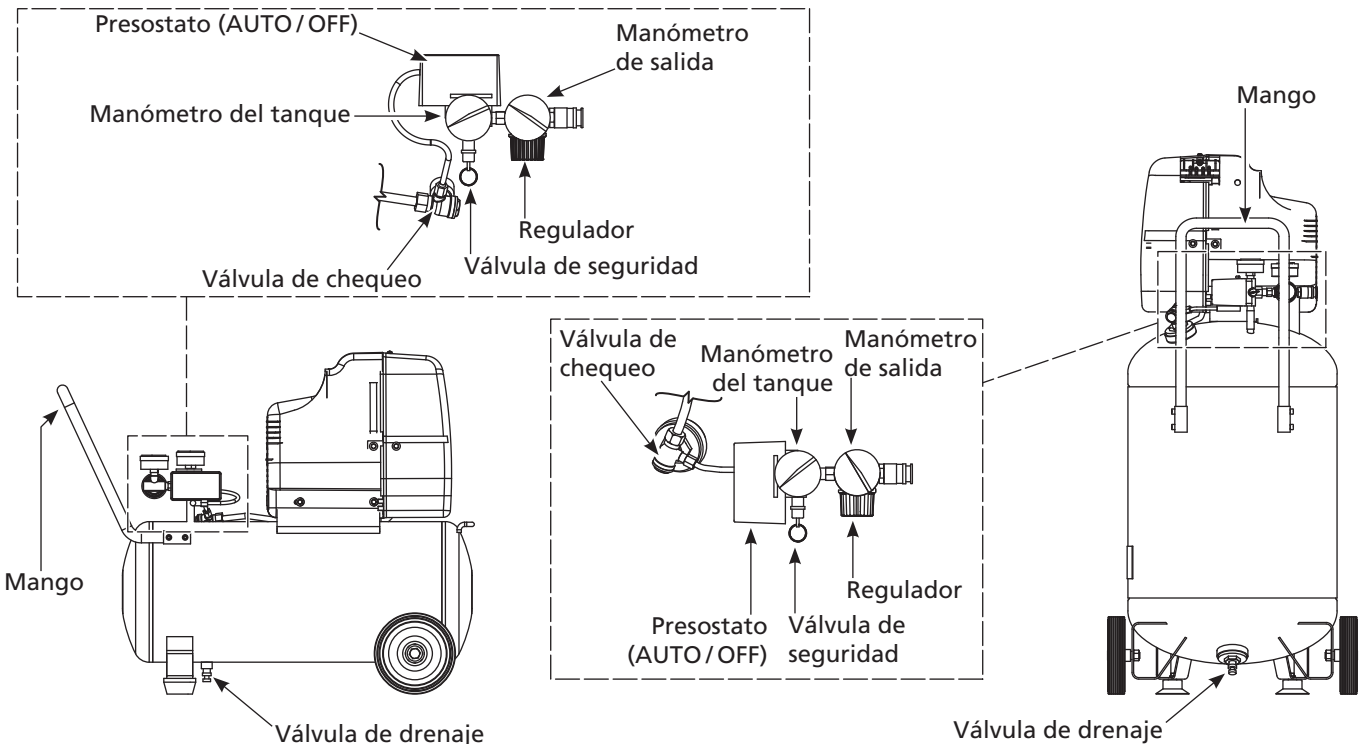


Figura 5 - Identificación de la Unidad

Instalación

COLOCACIÓN

Es extremadamente importante instalar el compresor en un área limpia, seca y bien ventilada. El compresor debe estar ubicado sobre una superficie firme y nivelada donde la temperatura del aire circundante no sobrepase los 38°C (100°F).

Se requiere un espacio mínimo de 45,7 cm (18 pulgadas) entre el compresor y la pared, ya que los objetos podrían obstruir el paso de aire.

PRECAUCION *No coloque la entrada de aire del compresor cerca de áreas con vapor, vapores de pintura, chorros de arena o cualquier otra fuente de contaminación. Los desperdicios dañarán el motor.*

INSTALACIÓN ELÉCTRICA

ADVERTENCIA *Todas las conexiones eléctricas y el alambrado deberán ser llevados a cabo por un electricista profesional. La instalación debe estar conforme con los códigos locales y los códigos nacionales sobre electricidad.*



ALAMBRADO

- Los códigos eléctricos varían de un área a otra. Sin embargo, el alambrado, enchufe y protectores se deben seleccionar según las especificaciones de amperaje y voltaje indicados en la placa del motor y cumplir con las especificaciones mínimas.
- Use fusibles de acción retardada tipo T o un cortacircuito.
- Este producto está diseñado para circuitos nominales de 120 voltios y tiene un enchufe para conexión a tierra similar al de la Figura 6.

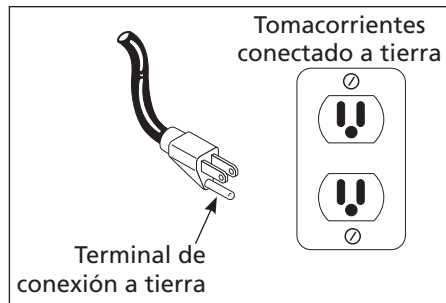


Figura 6 - Método de conexión a tierra

Cerórese de conectarlo a un tomacorrientes cuya configuración sea similar a la del enchufe. Este producto se debe conectar a tierra. En caso de que ocurra un cortocircuito, esto evitaría el riesgo de choque eléctrico al ofrecerle un cable de desvío a la corriente eléctrica. Este producto tiene un cordón con un alambre y terminal de conexión a tierra. Debe conectarlo a un tomacorrientes que esté instalado adecuadamente según los códigos y ordenanzas locales.

PRECAUCION *Si no conecta los cables adecuadamente podría haber cortocircuitos, incendios, sobrecalentamiento, etc.*

Calibre mínimo del cable de extensión		
7,5 m	15 m	30 m
14	12	10

Usar un cable de extensión puede provocar exceso de calor en el motor. Esto puede llevar a que se dispare el disyuntor (en el panel eléctrico) o a que se dispare una sobrecarga térmica (en el motor del compresor). Si sucede esto, quite el cable de extensión y enchufe el compresor directamente en el tomacorrientes. Evite usar cables de extensión, en lugar de eso use una manguera de aire más larga.

Funcionamiento

ANTES DE ARRANCARLO POR PRIMERA VEZ PROCEDIMIENTO DE ABLANDE

(Complete este procedimiento antes de usar el compresor por primera vez. Una vez completado, no es necesario repetirlo.)

- Abra la válvula de drenaje que se encuentra en la parte inferior del tanque.
- Coloque el interruptor de encendido/apagado en la posición **OFF** (apagado).
- Enchufe el cable de corriente.
- Gire el interruptor de encendido/apagado a la posición **ON** (encendido) y haga funcionar el compresor durante 30 minutos.
- Coloque el interruptor de encendido/apagado en la posición **OFF** (apagado).
- Desenchufe el cordón de corriente.
- Cierre la válvula de drenaje.

Ahora el compresor está listo para ser usado.

FUNCIONAMIENTO

- Coloque el interruptor en **OFF** y conecte el cordón al tomacorrientes.
- Gire la perilla del regulador en sentido antihorario para cerrar el flujo de aire.
- Coloque el interruptor en **AUTO**.
- El compresor aumentará la presión al valor máximo y se apagará.
- Con la manguera conectada a la salida del compresor, conecte la boquilla para la llanta u otra herramienta al extremo libre de la manguera.
- Ajuste el regulador a la presión adecuada para una herramienta o neumático. Maneje la herramienta según las instrucciones.

A medida que el aire del tanque se agota por el uso de la boquilla para la llanta, herramienta, etc., el compresor vuelve a encenderse automáticamente a la presión prefijada de activación. Cuando se use una herramienta en forma continua, el compresor cumplirá ciclos de encendido y apagado en forma automática.

- Cuando termine de usar el compresor, ponga el interruptor en **OFF**, desenchufe el cable eléctrico y drene el aire del tanque.

Mantenimiento

⚠ ADVERTENCIA

Desconecte el cordón eléctrico y amárrelo; después libere toda la presión del sistema antes de tratar de instalarlo, darle servicio o darle cualquier tipo de mantenimiento.



Este compresor se debe chequear con frecuencia para ver si tiene algún tipo de problemas y le debe dar el siguiente mantenimiento antes de cada uso.

VALVULA DE SEGURIDAD ASME

⚠ ADVERTENCIA

Nunca desconecte o trate de ajustar la válvula de seguridad ASME.

Revise la válvula de seguridad siguiendo los siguientes pasos:

1. Enchufe el compresor y hágalo funcionar hasta que se alcance la presión de corte (consulte Funcionamiento).
2. Usando gafas de protección, tire del anillo de la válvula de seguridad para liberar la presión del tanque del compresor. Use su otra mano para desviar el aire que se mueve a gran velocidad y evitar que le dé en el rostro.

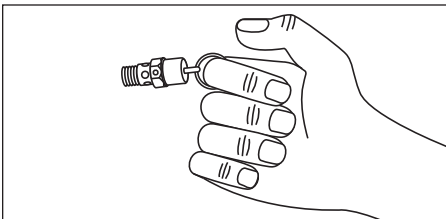


Figura 7

3. Esta válvula de seguridad debería cerrarse automáticamente a 2,76 bar - 3,45 bar. Si la válvula de seguridad no deja salir aire cuando tira del anillo o si no se cierra automáticamente, DEBE ser reemplazada.

⚠ ADVERTENCIA

Se debe reemplazar la válvula de seguridad si no se puede accionar o si tiene una fuga de aire después de liberar el anillo.

DRENE EL TANQUE

1. Apague el compresor y libere la presión del sistema. (Para liberar la presión del sistema, tire del anillo de la válvula de seguridad ASME. Desvíe el aire cubriendo la válvula con una mano mientras tira del anillo con la otra mano.) Tire del anillo hasta vaciar el tanque.

⚠ PRECAUCIÓN

Cuando se abra la válvula de seguridad con presión en el tanque, se liberará una gran cantidad de aire que se mueve a gran velocidad. Use gafas de seguridad Z87.1 aprobadas por ANSI.

2. Drene la humedad del tanque abriendo la válvula de drenaje debajo del tanque. Incline el tanque para eliminar toda la humedad.
3. Limpie el polvo y la suciedad del tanque, las líneas de aire y la cubierta de la bomba, mientras el compresor continúa apagado (OFF).

MANTENIMIENTO DEL FILTRO DE ENTRADA DE AIRE

Remoción, inspección y cambio (Figura 8).

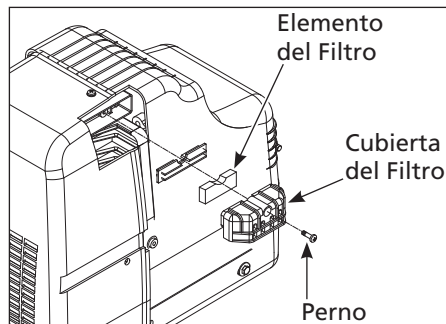


Figura 8 - Mantenimiento del Filtro de Entrada de Aire

El filtro de entrada deberá retirarse y verificarse en forma periódica. Un filtro de aire obstruido puede disminuir el rendimiento del compresor y provocar su recalentamiento.

1. Quite el perno.
2. Retire la cubierta del filtro y el elemento del filtro. Inspeccione cada pieza.

3. Si el elemento del filtro está sucio u obstruido, cámbielo.
4. Vuelva a instalar el filtro, la cubierta y el perno.

IMPORTANTE: Para prevenir que el exceso de pulverización atore el filtro, coloque la unidad tan lejos del área de pulverización como le permita la manguera.

CONCLUSIÓN DEL TRABAJO/ALMACENAJE

1. Coloque el interruptor de AUTO/OFF en la posición **OFF** (apagado).
2. Desenchufe el cordón del tomacorrientes de pared y envuélvalo alrededor del mango para prevenir daños cuando no se use.
3. Con las gafas de seguridad puestas, descargue el aire del tanque halando el anillo de la válvula de seguridad. Use su otra mano para desviar el aire que se mueve a gran velocidad y evitar que le dé en el rostro.
4. Drene el tanque de la condensación abriendo la válvula de drenaje al fondo del tanque. Cuando drene el tanque, la presión debe estar por debajo de 0,69 bar.
5. Debe desconectar la manguera del compresor y colgarla con los extremos hacia abajo para que toda la humedad se drene.
6. El compresor y la manguera deben guardarse en un lugar fresco y seco.

ASISTENCIA TÉCNICA

Para mayor información en relación al funcionamiento o reparación de este producto, comuníquese con el concesionario de Campbell Hausfeld más cercano a su domicilio.

Guía de Diagnóstico de Averías

Problema	Posible(s) Causa(s)	Acción a Tomar
El compresor no funciona	<ol style="list-style-type: none"> 1. El interruptor está en la posición OFF (apagado) 2. No hay corriente eléctrica en el tomacorriente de la pared 3. El compresor alcanzó la presión de corte automático 4. Motor recalentado 5. Conexiones eléctricas sueltas 6. Interruptor de ON/OFF defectuoso 7. Interruptor de presión defectuoso 8. Motor defectuoso 	<ol style="list-style-type: none"> 1. Asegúrese de que el compresor esté enchufado y que el interruptor esté en la posición ON (encendido). 2. Revise el disyuntor o fusible en el panel de electricidad. 3. Libere aire del tanque hasta que el compresor se reinicie automáticamente. 4. Deje que el compresor se enfríe durante aproximadamente 30 minutos para que el interruptor térmico de sobrecarga vuelva a su posición normal. Asegúrese de que el compresor esté funcionando en un área limpia y bien ventilada donde la temperatura no exceda los 38°C (100°F). 5. Verifique todas las conexiones eléctricas. 6. Reemplace el interruptor ON / OFF. 7. Cambie el interruptor de presión. 8. Reemplace el ensamblaje de la bomba / motor.
Los fusibles se queman/ cortacircuito se activa con frecuencia	<ol style="list-style-type: none"> 1. Fusible inadecuado, circuito sobrecargado 2. Uso del cable de extensión – calibre inadecuado del cable y/o demasiado largo 3. Válvula de retención desgastada 4. Válvula de descarga defectuosa (en el interruptor de presión) 5. Condensador(es) del motor defectuoso(s) 6. Motor defectuoso 	<ol style="list-style-type: none"> 1. Cerciórese de que está usando el fusible adecuado, use un fusible de acción retardada. Desconecte los otros artefactos eléctricos del circuito o conecte el compresor a otro circuito. 2. Retire el cable de extensión o consulte la Tabla para el Cable de Extensión, en la página 25. 3. Cambie la válvula de retención. 4. Cambie la válvula de descarga. 5. Reemplace el condensador(es). 6. Cambie el motor. <p>⚠ PELIGRO <i>No desensamble la válvula de retención con aire en el tanque; purgue el tanque.</i></p>
La presión del tanque baja cuando el compresor se apaga	<ol style="list-style-type: none"> 1. Conexiones flojas (conexiones, tuberías, etc.) 2. Abra la válvula de drenaje del tanque. 3. Fugas del tanque 	<ol style="list-style-type: none"> 1. Revise todas las conexiones con una solución de agua y jabón. Apriete, o retire y aplique sellador o cintas para roscas, luego vuelva a ensamblar. 2. Cierre la válvula de drenaje del tanque. 3. Revise el tanque en busca de fugas con una solución de agua y jabón. Si detecta una fuga, se deberá reemplazar el tanque con una pieza de repuesto original.
El compresor funciona en forma continua y/o la salida de aire es más baja que la presión de descarga normal/ baja.	<ol style="list-style-type: none"> 1. Consumo excesivo de aire 2. Filtro de entrada obstruido 3. Abra la válvula de drenaje del tanque. 4. Hay fugas de aire en las tuberías (del compresor o del sistema de conexión) 5. Aro del pistón desgastado 6. Válvula dañada (en la bomba) 7. Fugas del tanque 8. El presostato está dañado 	<ol style="list-style-type: none"> 1. Disminuya el consumo de aire; el compresor es muy pequeño para suministrar el aire requerido. 2. Limpie o reemplace el filtro. 3. Cierre la válvula de drenaje del tanque. 4. Revise todas las conexiones con una solución de agua y jabón. Apriete, o retire y aplique sellador o cintas para roscas, luego vuelva a ensamblar. 5. Reemplácelo. 6. Cambie la válvula. 7. Revise el tanque en busca de fugas con una solución de agua y jabón. Si detecta una fuga, se deberá reemplazar el tanque con una pieza de repuesto original. 8. Reemplace el presostato.

Guía de Diagnóstico de Averías (Continuación)

Problema	Posible(s) Causa(s)	Acción a Tomar
Exceso de humedad en el aire expulsado	<ol style="list-style-type: none"> 1. Exceso de agua en el tanque 2. Humedad alta 	<ol style="list-style-type: none"> 1. Drene el tanque. 2. Mueva el compresor a una área menos húmeda; use un filtro de aire incorporado a la línea
Golpeteos, zumbidos, y/o vibración excesiva.	<ol style="list-style-type: none"> 1. Pernos de montaje sueltos 2. El tanque no está nivelado 3. El cilindro o pistón está desgastado/marcado 	<ol style="list-style-type: none"> 1. Ajuste los pernos. 2. Utilice una cuña/objeto fuerte para poner el tanque a nivel. 3. Reemplace o repare según sea necesario.
El compresor funciona en forma continua y la válvula de seguridad se abre cuando aumenta la presión	<ol style="list-style-type: none"> 1. Presostato defectuoso 2. Válvula de seguridad defectuosa 	<ol style="list-style-type: none"> 1. Reemplace el interruptor. 2. Cambie la válvula de retención con un repuesto original.
Fuga de aire en la válvula de descarga en el interruptor de presión	<ol style="list-style-type: none"> 1. Válvula de retención atascada en la posición de abierto 2. Válvula de descarga atascada en la posición de abierto 	<ol style="list-style-type: none"> 1. Repare o cambie la válvula de retención. 2. Repare o cambie la válvula de descarga.

⚠ PELIGRO

No desensamble la válvula de retención con aire en el tanque; purgue el tanque.

Garantía Limitada

1. DURACION: A partir de la fecha de compra por el comprador original tal como se especifica a continuación: Un Año.
 2. QUIEN OTORGA ESTA GARANTIA (EL GARANTE: Campbell Hausfeld / The Scott Fetzer Company 100 Production Drive, Harrison, Ohio 45030 Teléfono: (800) 543-6400.
 3. QUIEN RECIBE ESTA GARANTIA (EL COMPRADOR): El comprador original (que no sea un revendedor) del producto Campbell Hausfeld.
 4. PRODUCTOS CUBIERTOS POR ESTA GARANTIA: este compresor de aire Campbell Hausfeld.
 5. COBERTURA DE LA GARANTIA: Los defectos substanciales de material y fabricación que ocurran dentro del período de validez de la garantía.
 6. LO QUE NO ESTA CUBIERTO POR ESTA GARANTIA:
 - A. Las garantías implícitas, incluyendo aquellas de comercialidad E IDONEIDAD PARA FINES PARTICULARES, ESTAN LIMITADOS A LO ESPECIFICADO EN EL PARRAFO DE DURACION. Si el compresor de aire es empleado para uso comercial, industrial o para renta, la garantía será aplicable por noventa (90) días a partir de la fecha de compra. En algunos estados no se permiten limitaciones a la duración de las garantías implícitas, por lo tanto, en tales casos esta limitación no es aplicable.
 - B. CUALQUIER PERDIDA DAÑO INCIDENTAL, INDIRECTO O CONSECUENTE QUE PUEDA RESULTAR DE UN DEFECTO, FALLA O MALFUNCIONAMIENTO DEL PRODUCTO CAMPBELL HAUSFELD. En algunos estados no se permite la exclusión o limitación de daños incidentales o consecuentes, por lo tanto, en tales casos esta limitación o exclusión no es aplicable
 - C. Cualquier falla que resulte de un accidente, abuso, negligencia o incumplimiento de las instrucciones de funcionamiento y uso indicadas en el (los) manual(es) que se adjunta(n) al compresor.
 - D. Servicio previo a la entrega, p. ej. ensamblado, aceite o lubricantes y ajuste.
 - E. Artículos o servicio que se requieran normalmente para mantener el producto, p. ej. lubricantes, filtros y juntas, etc.
 - F. Los motores de gasolina están específicamente excluidos de la cobertura de esta garantía limitada. El comprador debe seguir las cláusulas de la garantía otorgada por el fabricante del motor de gasolina que se suministra con el producto.
 - G. Artículos adicionales no cubiertos bajo esta garantía:
 1. Todos los Compresores
 - a. Cualquier componente dañado durante el envío o cualquier daño ocasionado por haber instalado u operado la unidad bajo condiciones contrarias a lo indicado en las instrucciones para instalar u operar la unidad o daños ocasionados por el contacto con herramientas o los alrededores.
 - b. Daños del cabezal o las válvulas ocasionados por la lluvia, humedad excesiva, agentes corrosivos u otros contaminantes.
 - c. Daños de apariencia que no afecten el funcionamiento del compresor.
 - d. Motores eléctricos, válvulas de retención e interruptores de presión.
 - e. Llaves de drenaje
 - f. Daños debidos al alambrado incorrecto o conexión a circuitos con voltaje inadecuados para la unidad.
 - g. Otros artículos no enumerados pero considerados de desgaste general.
 - h. Presostatos, controles de flujo de aire y válvulas de seguridad cuyos parametros fijados de fábrica se modifiquen.
 2. Compresores lubricados
 - a. Daños del cabezal o las válvulas debidos al uso de aceites no especificados.
 - b. Daños del cabezal o las válvulas debidos a cualquier contaminación del aceite o por no haber seguido las instrucciones de lubricación.
 3. Compresores con bandas/ de accionamiento directo/ motores de gasolina
 - a. Bandas
 - b. Daños de los anillos debido al mantenimiento inadecuado del filtro.
 - c. Ajustes manuales de los instrumentos de carga/descarga y válvula de estrangulación.
 7. LIMITACIONES ADICIONALES DE LA GARANTÍA PARA UNIDADES CON UNA GARANTÍA DE "TANQUE RESISTENTE" DE 10 AÑOS.
 - A. QUÉ ESTÁ CUBIERTO POR LA GARANTÍA DE "TANQUE RESISTENTE" DE 10 AÑOS:
 1. A discreción del garante, el reemplazo de cualquier tanque o producto que se encuentre que tiene un defecto de fabricación en el tanque durante 10 (diez) años a partir de la fecha de compra por parte del comprador original y sujeto a las exclusiones que se indican a continuación.
EL COMPRESOR Y TODAS LAS PIEZAS EXCEPTO EL TANQUE, CONSULTE LA GARANTÍA ESCRITA EMITIDA PARA SU MODELO DE COMPRESOR ESPECÍFICO.
 2. DEFECTOS EN EL TANQUE QUE NO ESTÉN RELACIONADAS A UN DEFECTO DE FABRICACIÓN INCLUIDO ENTRE OTROS:
 - a. Fallas causadas por óxido.
 - b. Fallas debidas a ambientes corrosivos.
 - c. Fallas debidas a negligencia o abuso.
 3. Cualquier tanque que haya sido alterado de alguna forma.
 4. Cualquier tanque utilizado para cualquier otra cosa que no fuera el propósito indicado original.
 5. Cualquier unidad a la que se le haya conectado cualquier pieza que no fuera una pieza del fabricante de equipo original.
 6. Mano de obra para reemplazar un tanque defectuoso.
 8. RESPONSABILIDADES DEL GARANTE BAJO ESTA GARANTIA: Reparar o reemplazar, como lo decida el Garante, el compresor o componentes que estén defectuosos, se hayan dañado o hayan dejado de funcionar adecuadamente, durante el período de validez de la garantía
 9. RESPONSABILIDADES DEL COMPRADOR BAJO ESTA GARANTIA:
 - A. Suministrar prueba fechada de compra y la historia de mantenimiento del producto.
 - B. Entregar o enviar los compresores de aire portátiles o componentes al Centro de Servicio autorizado Campbell Hausfeld más cercano. Los gastos de flete, de haberlos, deben ser pagados por el comprador.
 - C. Tener cuidado al utilizar el producto, tal como se indica(n) en el (los) manual(es) del propietario.
 10. CUANDO EFECTUARA EL GARANTE LA REPARACION O REEMPLAZO CUBIERTO BAJO ESTA GARANTIA: La reparación o reemplazo dependerá del flujo normal de trabajo del centro de servicio y de la disponibilidad de repuestos.
- Esta garantía limitada es válida sólo en los EE.UU., Canadá y México y otorga derechos legales específicos. Usted también puede tener otros derechos que varían de un Estado a otro. o de un país a otro.

Free Manuals Download Website

<http://myh66.com>

<http://usermanuals.us>

<http://www.somanuals.com>

<http://www.4manuals.cc>

<http://www.manual-lib.com>

<http://www.404manual.com>

<http://www.luxmanual.com>

<http://aubethermostatmanual.com>

Golf course search by state

<http://golfingnear.com>

Email search by domain

<http://emailbydomain.com>

Auto manuals search

<http://auto.somanuals.com>

TV manuals search

<http://tv.somanuals.com>