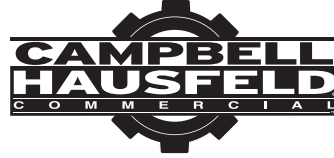
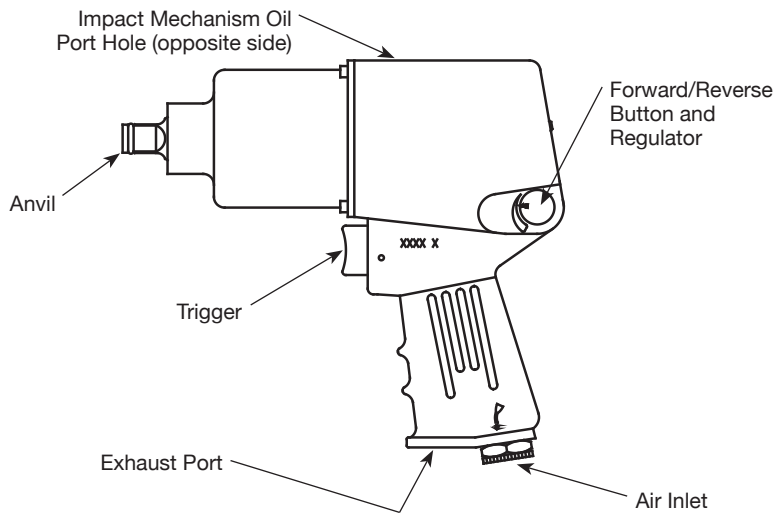


# 1/2 inch Impact Wrench



## MODELS CL250200AV AND CL255600AV



### Description

Impact wrenches are designed for removing and installing nuts and bolts. A rotating mechanism delivers a series of blows that produces torque to remove or install a fastener.

### Specifications

Average . . . . .	5.1 SCFM @ 90 PSIG
Air Consumption	(17.5% usage)
Continuous . . . . .	28.6 SCFM @ 90 PSIG
Air Consumption	(100% usage)
Max Operating Pressure . . . . .	90 PSIG
Max RPM . . . . .	7500
Max Torque . . . . .	625 ft.lb
Working Torque . . . . .	.50-350 ft.lb
Impact Mechanism Type . . . . .	Twin hammer
Bolt Capacity . . . . .	5/8 inch
Air Inlet . . . . .	1/4 inch NPT (Female)
Minimum Hose Size . . . . .	3/8 inch
Drive . . . . .	1/2 inch Sq
Weight . . . . .	.6 lbs.



**REPLACEMENT PARTS LIST**

Ref. No.	Description	Part No.	Qty.
1	Anvil oil seal	■	1
2	M6 x 18 mm Hex cap screw	--	4
3	M6 Lock washer	--	4
4	Clutch housing	SV438001AV	1
5	Bushing	--	1
6	Anvil collar	■ ▲ ◆	1
7	Anvil o-ring	■ ▲ ◆	1
8	Anvil	▲	1
8A	2 inch Extended anvil (CL255600AV)	◆	1
9	Hammer pin	▲ ◆	2
10	Hammer	▲ ◆	2
11	Hammer cage	SV886700AV	1
12	Washer	■	1
13	Housing o-ring	■	1
14	Front gasket	■	1
15	Oil port screw 1/16-28 PT x 6.1 mm	--	1
16	Motor housing	--	1
17	Front bearing	SV440800AV	1
18	Motor oil seal	■ □	1
19	Motor o-ring	■ □	1
20	Motor pin	■	1
21	Front plate	□	1
22	Rotor	--	1
23	Rotor blade	▼	6
24	Cylinder	SV438900AV	1
25	Rear end plate	□	1
26	Rear bearing	SV441100AV	1
27	Rear gasket	■	1
28	Back plate	--	1
29	Regulator knob	♣	2
30	Regulator roll pin	■ ♣	2
31	M5 lock washer	--	4
32	M5 x 25 mm Hex cap screw	--	4
33	4 mm Hex wrench	--	1
34	Regulator o-ring	■ ★	2
35	Regulator bushing	★	1

*Continued on next page*

**REPLACEMENT PARTS LIST (CONTINUED)**

Ref. No.	Description	Part No.	Qty.
36	Regulator	★	1
37	Spring	■ ★	1
38	Steel ball	■ ★	1
39	Seal	■ ○	1
40	Valve	■ ○	1
41	Spring	■ ○	1
42	Large spacer	○	1
43	Diffuser	SV440500AV	1
44	Air inlet with screen	SV889400AV	1
45	Roll pin	■ ◇	1
46	Silencer/muffler	■	1
47	M4 x 5 mm Set screw	◇	1
48	Trigger button	◇	1
49	Trigger pin	◇	1
50	Grip	--	1

**SERVICE AND REPAIR KITS**

Ref. No.	Description	Part No.
■	Tune up kit	SV250219AV
▲	Anvil-hammer kit	SV250213AV
◆	Anvil-hammer kit - 2 inch anvil	SV255613AV
□	End plate assy/kit	SV250214AV
○	Valve kit	SV250215AV
◇	Trigger kit	SV250216AV
★	Regulator assy/kit	SV250217AV
♣	Regulator knobs kit	SV250218AV
▼	Vane kit	SV250220AV
--	Not available	

## Free Manuals Download Website

<http://myh66.com>

<http://usermanuals.us>

<http://www.somanuals.com>

<http://www.4manuals.cc>

<http://www.manual-lib.com>

<http://www.404manual.com>

<http://www.luxmanual.com>

<http://aubethermostatmanual.com>

Golf course search by state

<http://golfingnear.com>

Email search by domain

<http://emailbydomain.com>

Auto manuals search

<http://auto.somanuals.com>

TV manuals search

<http://tv.somanuals.com>