

Please read and save these instructions. Read carefully before attempting to assemble, install, operate or maintain the product described. Protect yourself and others by observing all safety information. Failure to comply with instructions could result in personal injury and/or property damage! Retain instructions for future reference.



# Generators

## Description

These generators are powered by air-cooled four cycle engines and designed to run at maximum RPM and give a continuous wattage as rated.

## Unpacking

When unpacking, inspect carefully for any damage that may have occurred during transit. Make sure any loose fittings, bolts, etc., are tightened before putting unit into service.

## General Safety

1. Before starting or servicing any generator, read and understand all instructions. Failure to follow safety precautions or instructions can cause equipment damage and/or serious personal injury. Engine instructions for these units are contained in a separate manual. Retain all manuals for future reference.
2. Never use this generator for any application other than that specified by the manufacturer. Never operate this generator under conditions not approved by the manufacturer. Never attempt to modify this generator to perform in any manner not intended by the manufacturer.
3. For maintenance and repairs, use only products and parts recommended by the manufacturer.
4. Be sure that the generator is properly grounded to an external ground path prior to operation. Refer to the section entitled

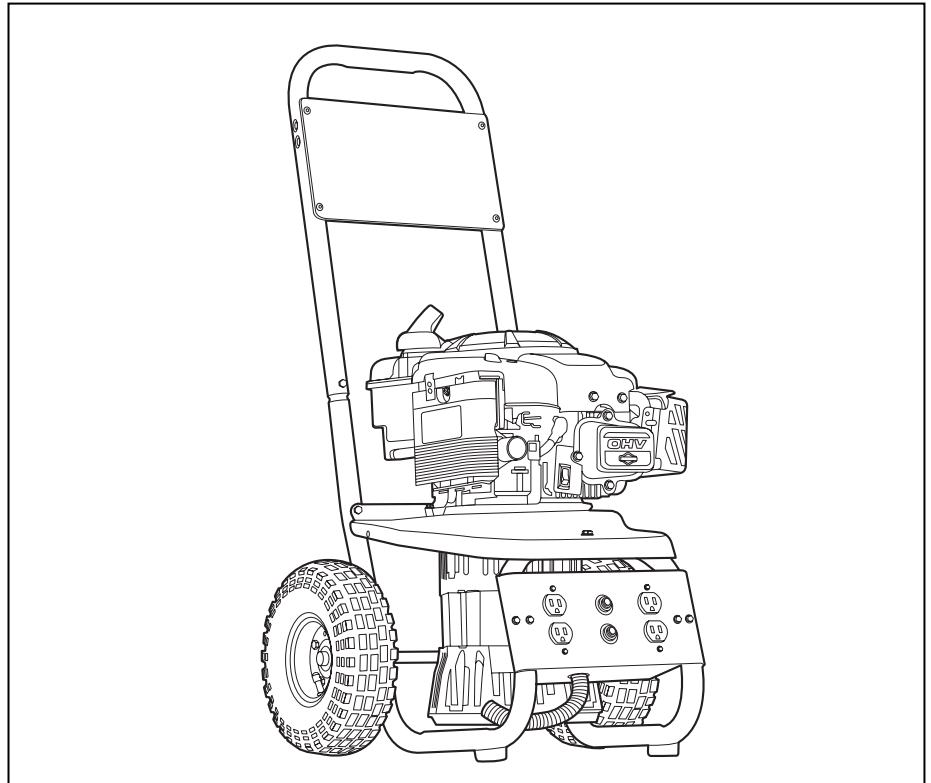


Fig. 1 - Assembled Units GN301502AC and GN30C502AC

5. Be sure that the generator is operated only by persons who have read and understand these instructions.
6. Be sure that the generator is placed on a flat level surface prior to and during operation. The generator must not slide or shift during operation.
7. Keep all persons away from the generator during operation.
8. Do not allow persons wearing loose clothing or jewelry to start or operate the generator. Loose clothing or jewelry may become entangled in moving components, causing equipment damage and/or personal injury.
9. Keep all persons away from parts that move or become hot during operation.
10. Be sure all powered devices are shut off prior to connecting them to the generator.
11. Keep the generator clean and well maintained at all times.

### **WARNING**

**Never operate this generator in an explosive atmosphere or poorly ventilated area.**



## General Safety (Continued)

12. Be sure that all tools and appliances are in good repair and are properly grounded. Use devices that have three prong power cords. If an extension cord is used, be sure that it has three prongs for proper grounding.

**⚠WARNING** *Do not operate this generator on wet surfaces or in the rain.*

13. Never operate the generator with damaged, broken or missing parts, or with any guarding components removed.

**⚠DANGER** *Shut off the generator engine and disconnect the spark plug wire before performing any service or maintenance to the unit.*

14. Use only unleaded fuel. Do not refill the fuel tank while the engine is running. Use precautions to prevent fuel spillage during refills. Be sure the fuel tank cap is securely in place before starting the engine. Allow engine to cool for at least two minutes before refueling.

**⚠CAUTION** *Never mix oil with gasoline for this engine. Oil is used for engine lubrication purposes only.*

## Assembly

NO TOOLS REQUIRED FOR ASSEMBLY

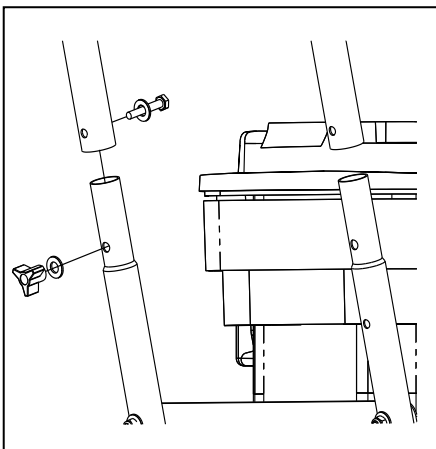


Fig. 2 - Handle Assembly

### NEVER OPERATE YOUR GENERATOR UNDER THESE CONDITIONS:

1. Rain or inclement weather
2. Excessive vibration
3. Sparking
4. Engine misfire
5. Electric output loss
6. Changing or fluctuating engine speed
7. Overheating in connected equipment
8. Damaged receptacles
9. Damaged, broken or missing parts
10. Guarding components removed

### ALWAYS OPERATE YOUR GENERATOR UNDER THESE CONDITIONS:

1. Read and understand these instructions
2. Clear of all persons
3. Properly grounded (generator)
4. Properly grounded (tools, appliances, etc.)
5. Flat level surfaces
6. Well ventilated areas

## Operation

### PRE-OPERATION

1. **Check engine oil level every time you start your generator.** Refer to the Engine Manual for SAE, API and fill quantity specifications.
2. Use of a Ground Fault Circuit Interrupter (GFCI) is strongly recommended. Ground Fault Circuit Interrupters can significantly reduce the possibility of injury if an electrical short occurs.

**⚠WARNING** *A Ground Fault Circuit Interrupter may not be effective if used on a generator that is not grounded!*

3. When installing a GFCI, be sure to follow all national and local regulations, or call a licensed or certified electrical technician.

### GROUNDING

1. Use the ground terminal and wing nut on the generator frame to connect the unit to a suitable ground source. Securely fasten the end terminal of the ground wire to the ground terminal on the generator frame. Tighten the washer and wing nut on top of the ground wire end terminal.
2. The ground wire should be made of #8 gauge wire. Do not use wire with

a higher gauge number. Higher gauge numbers indicate thinner wire, which may not provide an adequate ground path.

3. The other end of the ground wire must be securely fastened to an approved ground source.

The following are ground sources approved by the National Electric Code. Other ground sources may be acceptable. Refer to the National Electric Code and local regulations for further ground source information. If not sure of regulations or procedures, obtain assistance from a qualified (licensed or certified) electrical technician.

- a. An underground water pipe at least ten feet in length.
- b. A non-corrosive underground pipe at least eight feet in length and 3/4 inch diameter.
- c. A steel or iron underground rod at least eight feet in length and 5/8 inch diameter.
- d. A non-ferrous rod at least eight feet in length, 1/2 inch in diameter, and approved for grounding purposes.

Any rod or pipe used for grounding must be driven to eight feet deep or buried in the deepest possible trench.

## Operation (Continued)

### STARTING

1. Check oil level and fuel.
2. Remove all electrical loads from the generator.
3. Set the switch to the ON position.
4. Move the choke/run switch to the choke position.
5. Pull the starter rope with a brisk smooth motion.
6. Move the choke/run switch to the run position.
7. After each start up, allow engine to run 2-3 minutes with no load.

**CAUTION** *Engine speed is preset to provide proper output voltage. Never attempt to modify or adjust engine speed or output voltage.*

### ENGINE BREAK-IN

After initial start-up, the engine should be broken in according to the manufacturer's instructions. Refer to the engine manual for the proper break-in procedure.

### GENERATOR SHUT OFF

1. Remove all electrical load devices from the generator.
2. Allow the engine to run for 2-3 minutes with no electrical loads.
3. Set the switch to the OFF position. This will stall the engine.

### ESTIMATED POWER USAGE (WATTS)

Load Device	Watts	Load Device	Watts
Air conditioner	2000-3000	Radio	50-200
Automatic washer	150-1500	Refrigerator	190-2000
Brooder	100+	Skillet	1200
Clothes dryer	5000-10,000	Space heater	600-4800
Coffee maker	400-700	Sump pump	400-3000
Electric drill (small)	225-1000	Television	200-500
Electric drill (large)	500-1000	Toaster	900-1700
Fan	40-200	Vacuum cleaner	200-300
Freezer	300-500	Water pump	1000-3000
Hot plate	330-1100	Water heater	1000-5000
Iron	500-1500	Small hand saw	1000-2000
Light bulb	As Rated	Large hand saw	1500-2500

## EXTENSION CORDS

### MAXIMUM RECOMMENDED LENGTHS (IN FEET)

Amps	Watts 120 V	Watts 240 V	#8 Wire	#10 Wire	#12 Wire	#14 Wire	#16 Wire
2.5	300	600		1000	600	375	250
5	600	1200		500	300	200	125
7.5	900	1800		350	200	125	100
10	1200	2400		250	150	100	50
15	1800	3600		150	100	65	
20	2400	4800	175	125	75	50	
25	3000	6000	150	100	60		
30	3600	7200	125	65			
40	4800	9600	90				

4. Verify that the generator has completely stopped.
5. Allow the unit to cool before installing any covers.

### LOAD DEVICES

1. The **120 volt receptacles** are rated for 15 amps.
2. Total combined load through any combination of receptacles must not exceed the rated load limits of the generator.

**NOTE:** Power draw can be calculated by multiplying volts and amps. The resulting number is wattage.

Never exceed the posted maximum wattage for the generator or any individual receptacle. Refer to owner's

manuals and product tags to determine the wattage of electrical load devices.

Long power cords and extension cords draw additional power. Keep cords at minimum possible length.

## Installation for Stand-by Use

Precautions must be taken to prevent electrical back feeding into utility systems. This requires isolation of the electrical system. To isolate the electrical system, perform the following procedures:

1. Turn off the main electrical system switch prior to connecting the generator.
2. In accordance with national and local standards, a double throw transfer switch must be installed in the system.

**AWARNING** *Always shut off main power prior to temporary connection of the generator to a building electrical system.*

**AWARNING** *Installation of the generator as a backup electrical source must be performed by a qualified (licensed or certified) electrical technician.*

## Maintenance

### INFREQUENT USAGE

If the generator is used infrequently, starting difficulty may occur. To help prevent difficulty starting, the generator should be run for approximately 30 minutes per week.

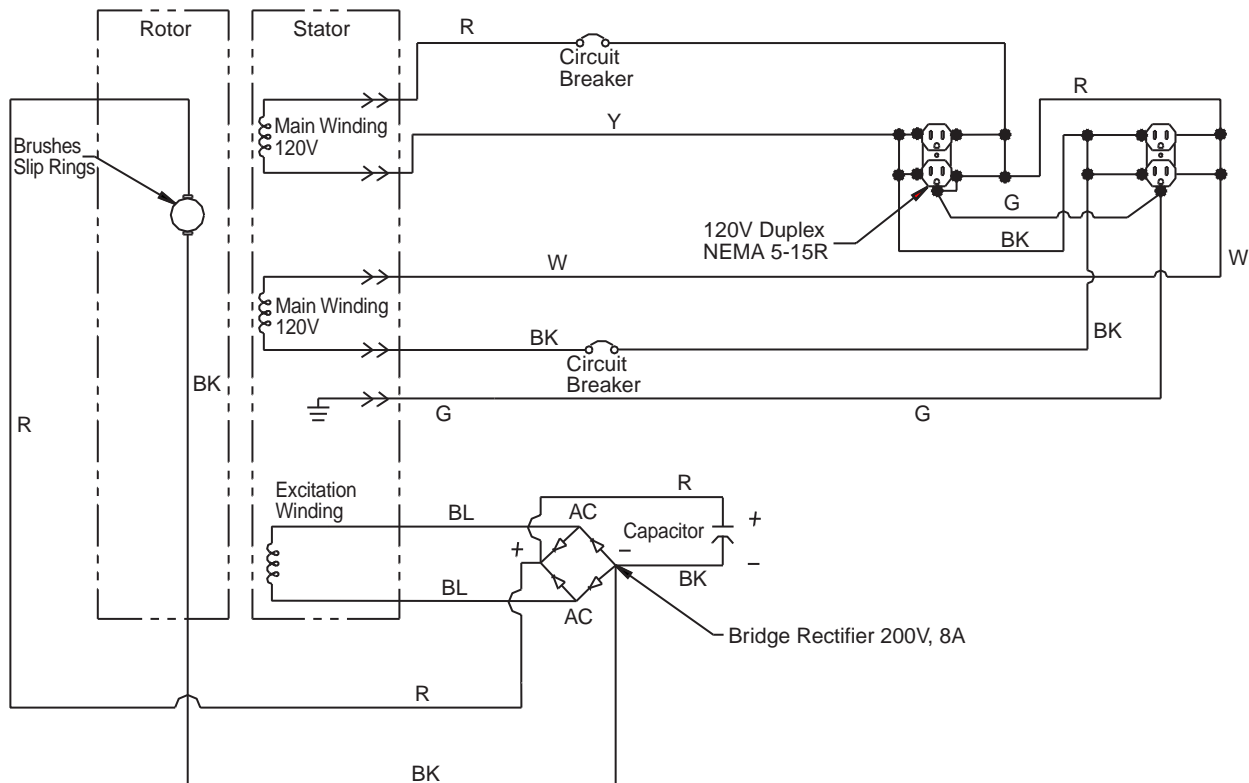
### STORAGE

If the generator is not to be used for extended periods of time, the following pre-storage procedures should be performed:

1. Make sure engine oil is filled to the proper level.
2. Drain all fuel from the tank, lines, and carburetor.
3. Remove the spark plug, and pour approximately one teaspoon of oil into the spark plug hole.
4. Pull the starter cord several times to spread the oil throughout the cylinder.
5. Slowly pull the starter cord, until resistance is felt. This indicates that

the piston is moving upward on the compression cycle, and the intake and exhaust valves are closed. (The piston pushes a small amount of air from the spark plug hole on compression).

**Refer to the engine manual that accompanies this unit for instructions regarding maintenance of engine components.**



**Fig. 3 - Wiring Diagram for GN301502AC and GN30C502AC**

**Troubleshooting Chart**

Symptom	Possible Cause(s)	Corrective Action						
Zero output from receptacles	<ol style="list-style-type: none"> <li>1. Engine speed is too slow</li> <li>2. Open, shorted, or incorrect wiring</li> <li>3. Faulty capacitor</li> <li>4. Open/shorted rotor or stator windings</li> <li>5. Open rectifier</li> </ol>	<ol style="list-style-type: none"> <li>1. Adjust engine speed *</li> <li>2. Referring to the wiring diagram, clean and reconnect all wiring *</li> <li>3. Replace capacitor *</li> <li>4. Test winding resistance, replace winding if necessary *</li> <li>5. Test rectifier, replace if necessary *</li> </ol>						
Low output voltage with no load	<table border="0"> <tr> <td style="padding-right: 20px;">6 Vac or above</td> <td> <ol style="list-style-type: none"> <li>1. Engine speed is too slow</li> <li>2. Open rectifier</li> <li>3. Faulty capacitor</li> <li>4. Open/shorted rotor or stator windings</li> </ol> </td> <td> <ol style="list-style-type: none"> <li>1. Adjust engine speed *</li> <li>2. Test rectifier, replace if necessary *</li> <li>3. Replace capacitor *</li> <li>4. Test winding resistance, replace winding if necessary *</li> </ol> </td> </tr> <tr> <td>Below 6 Vac</td> <td> <ol style="list-style-type: none"> <li>1. Generator head not magnetized</li> </ol> </td> <td> <ol style="list-style-type: none"> <li>1. Re-magnetize generator head *</li> </ol> </td> </tr> </table>	6 Vac or above	<ol style="list-style-type: none"> <li>1. Engine speed is too slow</li> <li>2. Open rectifier</li> <li>3. Faulty capacitor</li> <li>4. Open/shorted rotor or stator windings</li> </ol>	<ol style="list-style-type: none"> <li>1. Adjust engine speed *</li> <li>2. Test rectifier, replace if necessary *</li> <li>3. Replace capacitor *</li> <li>4. Test winding resistance, replace winding if necessary *</li> </ol>	Below 6 Vac	<ol style="list-style-type: none"> <li>1. Generator head not magnetized</li> </ol>	<ol style="list-style-type: none"> <li>1. Re-magnetize generator head *</li> </ol>	
6 Vac or above	<ol style="list-style-type: none"> <li>1. Engine speed is too slow</li> <li>2. Open rectifier</li> <li>3. Faulty capacitor</li> <li>4. Open/shorted rotor or stator windings</li> </ol>	<ol style="list-style-type: none"> <li>1. Adjust engine speed *</li> <li>2. Test rectifier, replace if necessary *</li> <li>3. Replace capacitor *</li> <li>4. Test winding resistance, replace winding if necessary *</li> </ol>						
Below 6 Vac	<ol style="list-style-type: none"> <li>1. Generator head not magnetized</li> </ol>	<ol style="list-style-type: none"> <li>1. Re-magnetize generator head *</li> </ol>						
High output voltage with no load	<ol style="list-style-type: none"> <li>1. Faulty capacitor</li> <li>2. Engine speed is too fast</li> </ol>	<ol style="list-style-type: none"> <li>1. Replace capacitor *</li> <li>2. Adjust engine speed *</li> </ol>						
Low output voltage under load	<ol style="list-style-type: none"> <li>1. Open rectifier</li> <li>2. Engine speed too slow at full load</li> <li>3. Excessive load applied</li> </ol>	<ol style="list-style-type: none"> <li>1. Test rectifier, replace if necessary *</li> <li>2. Adjust engine speed *</li> <li>3. Reduce the applied load</li> </ol>						
Erratic output voltage	<ol style="list-style-type: none"> <li>1. Surging engine</li> <li>2. Dirty, corroded, or loose wiring connection</li> <li>3. Unbalanced load applied</li> </ol>	<ol style="list-style-type: none"> <li>1. Refer to engine manual</li> <li>2. Referring to the wiring diagram, clean and reconnect all wiring *</li> <li>3. Remove all loads, then apply each one individually to determine which one is causing erratic function</li> </ol>						
Noisy operation	<ol style="list-style-type: none"> <li>1. Loose generator or engine bolt</li> <li>2. Short circuit in generator field or load</li> <li>3. Faulty bearing</li> </ol>	<ol style="list-style-type: none"> <li>1. Tighten all mountings</li> <li>2. Test winding resistance, replace field winding if necessary* Test load devices for shorts. Replace defective load device.</li> <li>3. Replace bearing</li> </ol>						

\* These diagnostic and repair procedures should be performed by an authorized service center.

**Limited Warranty**

1. **DURATION:** From the date of purchase by the original purchaser as follows: Standard Duty - One Year, Serious Duty - Two Years, Extreme Duty - Three Years. Units used for rental, industrial or commercial purposes are warranted for 90 days from date of purchase.
2. **WHO GIVES THIS WARRANTY (WARRANTOR):**  
Campbell Hausfeld / Scott Fetzer Company, 100 Production Drive, Harrison, Ohio, 45030, Telephone: (800) 803-1436
3. **WHO RECEIVES THIS WARRANTY (PURCHASER):** The original purchaser (other than for purposes of resale) of the Campbell Hausfeld generator.
4. **WHAT PRODUCTS ARE COVERED BY THIS WARRANTY:** Any Campbell Hausfeld portable generator supplied or manufactured by Warrantor.
5. **WHAT IS COVERED UNDER THIS WARRANTY:** Substantial defects on material and workmanship which occur within the duration of the warranty period.
6. **WHAT IS NOT COVERED UNDER THIS WARRANTY:**
  - A. Implied warranties, including those of merchantability and FITNESS FOR A PARTICULAR PURPOSE ARE LIMITED FROM THE DATE OF ORIGINAL PURCHASE AS STATED IN THE DURATION. Some states do not allow limitations on how long an implied warranty lasts, so the above limitations may not apply to you.
  - B. ANY INCIDENTAL, INDIRECT, OR CONSEQUENTIAL LOSS, DAMAGE, OR EXPENSE THAT MAY RESULT FROM ANY DEFECT, FAILURE, OR MALFUNCTION OF THE CAMPBELL HAUSFELD PRODUCT. Some states do not allow the exclusion or limitation of incidental or consequential damages, so the above limitation or exclusion may not apply to you.
  - C. Any failure that results from an accident, shipping damage, purchaser's abuse, neglect or failure to operate products in accordance with instructions provided in the owner's manual(s) supplied with product.
  - D. Pre-delivery service, i.e. assembly, oil or lubricants, and adjustment.
  - E. Items or service that are normally required to maintain the product, i.e. lubricants and filters.
  - F. Gasoline engine components are expressly excluded from coverage under this limited warranty. Such components should be returned by the purchaser to the original manufacturer or to its authorized repair stations for service.
7. **RESPONSIBILITIES OF WARRANTOR UNDER THIS WARRANTY:** Repair or replace, at Warrantor's option, generator or component(s) which have failed within duration of the warranty period.
8. **RESPONSIBILITIES OF PURCHASER UNDER THIS WARRANTY:**
  - A. Provide dated proof of purchase and maintenance records.
  - B. Deliver or ship the Campbell Hausfeld generator or component to the nearest Campbell Hausfeld Authorized Service Center. Freight costs, if any, must be borne by the purchaser.
  - C. Use reasonable care in the operation and maintenance of the generator as described in the owner's manual(s).
9. **WHEN WARRANTOR WILL PERFORM REPAIR OR REPLACEMENT UNDER THIS WARRANTY:**
  - A. Repair or replacement will be scheduled and serviced according to the normal work flow at the servicing location, and depending on the availability of replacement parts.
  - B. If the purchaser does not receive satisfactory results from the Authorized Service Center, the purchaser should contact Campbell Hausfeld (see paragraph 2).

Limited Warranty applies in the U.S. and Canada only and gives you specific legal rights. You may also have other rights which vary from State to State or country to country.



*S'il vous plaît lire et conserver ces instructions. Lire attentivement avant de monter, installer, utiliser ou de procéder à l'entretien du produit décrit. Se protéger ainsi que les autres en observant toutes les instructions de sécurité, sinon, il y a risque de blessure et/ou dégâts matériels! Conserver ces instructions comme référence.*



## Génératrices

### Description

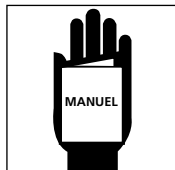
Ces génératrices sont actionnées par des moteurs à quatre temps, refroidis par l'air et sont conçues pour le fonctionnement aux tr/min maximum afin de fournir la puissance en watts classifiée.

### Déballage

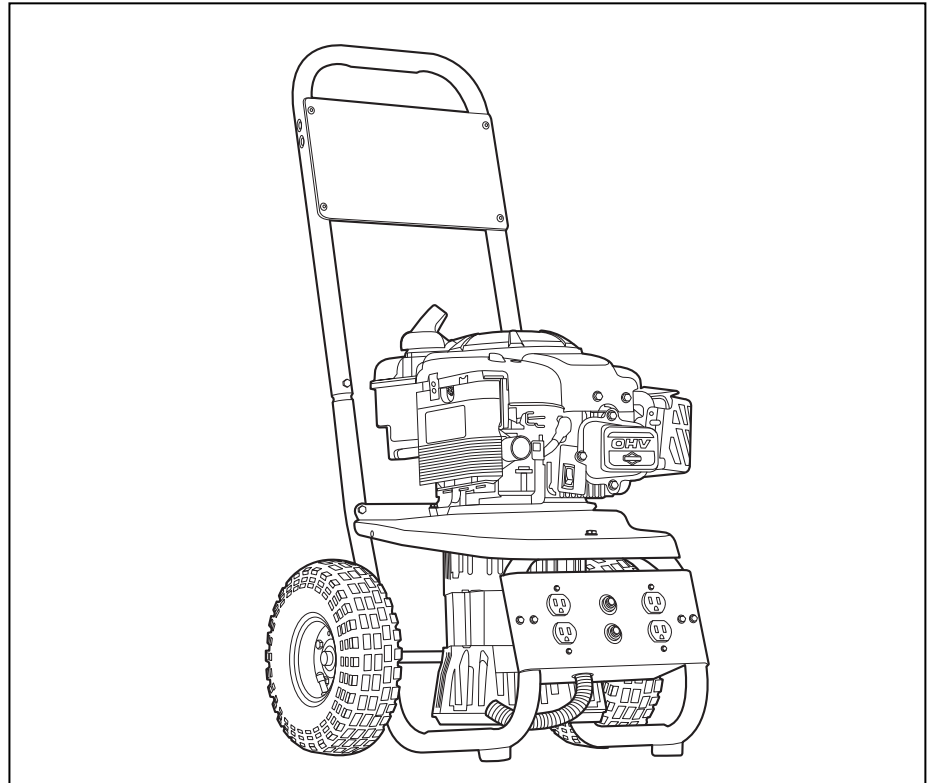
Lors du déballage, l'examiner soigneusement pour rechercher toute trace de dommage susceptible de s'être produit en cours de transport. Serrer tous raccords, boulons, etc., avant d'utiliser le modèle.

### Généralités sur la Sécurité

1. Lire attentivement toutes les instructions avant le démarrage ou l'entretien d'une génératrice. Manque de suivre les précautions de sécurité ou les instructions peut résulter en dommage de l'équipement et/ou en blessures personnelles graves. Les instructions du moteur pour ces modèles sont dans un manuel séparé. Conserver tous les manuels comme référence.



2. Ne jamais utiliser cette génératrice pour une application qui n'est pas spécifiée par le fabricant. Ne jamais faire fonctionner cette génératrice sous des conditions qui ne sont pas approuvées par le fabricant. Ne jamais essayer de modifier cette génératrice afin qu'elle fonctionne de manière qui n'est pas approuvée par le fabricant.
3. Utiliser seulement les produits et les pièces de rechanges recommandés par



**Fig. 1 - Modèles GN301502AC et GN30C502AC Montés**

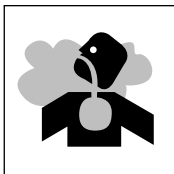
4. le fabricant pour l'entretien et la réparation.
4. S'assurer que la génératrice soit mise à la terre correctement à un trajet de mise à la terre extérieur avant de faire fonctionner le modèle. Se référer à la section "Instructions de Mise à la Terre" pour la méthode de mise à la terre correcte.
5. S'assurer que la génératrice soit utilisée par des personnes qui se sont familiarisées avec ces instructions.
6. S'assurer que la génératrice soit située sur une surface plate et nivelée avant et pendant son fonctionnement. La génératrice ne doit pas glisser ni se déplacer pendant le fonctionnement.
7. Garder toutes les personnes à l'écart de la génératrice pendant son fonctionnement.
8. Ne jamais permettre les personnes avec des vêtements ou des bijoux flottants de démarrer ni de faire fonctionner la génératrice car ces vêtements ou bijoux peuvent s'emmêler dans les pièces mouvantes, ce qui pourrait endommager l'équipement et/ou causer des blessures personnelles.
9. Garder toutes personnes à l'écart des pièces mouvantes ou qui peuvent devenir chaudes pendant l'opération.
10. S'assurer que tous les appareils actionnés soient hors circuit avant de les brancher à la génératrice.

## Généralités sur la Sécurité (Suite)

11. Toujours garder la génératrice propre et en bon état de marche.

### ⚠ AVERTISSEMENT

**Ne jamais faire fonctionner cette génératrice dans un endroit explosif ni mal-aéré.**



12. S'assurer que tous les outils et appareils soit en bon état de marche et qu'ils soient mis à la terre correctement. Utiliser les appareils avec des cordons d'alimentation à trois broches. Si un cordon prolongateur est utilisé, s'assurer qu'il ait trois broches pour assurer la mise à la terre correcte.

### ⚠ AVERTISSEMENT

**Ne pas faire fonctionner cette génératrice sur une surface trempée ni dans la pluie.**

13. Ne jamais faire fonctionner la génératrice avec des pièces endommagées, cassées ou manquantes, ni sans pièces protectrices.

### ⚠ DANGER

**Couper (off) le moteur de la génératrice et débrancher le fil de la bougie d'allumage avant de procéder au service ou à l'entretien du modèle.**

14. Utiliser un combustible sans plomb seulement. Ne pas remplir le réservoir à essence pendant que le moteur soit en marche. Éviter le déversement d'essence pendant le remplissage. S'assurer que le bouchon de réservoir à essence soit en place avant le démarrage du moteur. Permettre que le moteur se refroidisse pour au moins deux minutes avant le remplissage.

### ⚠ ATTENTION

**Ne jamais mélanger l'huile avec l'essence pour ce moteur. Utilisez l'huile pour le graissage du moteur seulement.**

### NE JAMAIS FAIRE FONCTIONNER VOTRE GÉNÉRATRICE SOUS CES CONDITIONS:

1. La pluie ou le temps inclément
2. Vibration excessive
3. Étincellement
4. L'allumage du moteur raté
5. Perte de puissance électrique
6. Changement ou variation de la vitesse du moteur
7. Surchauffage de l'équipement branché
8. Prises de courant endommagées
9. Pièces endommagées ou manquantes
10. Pièces détachées protectrices enlevées

### TOUJOURS FAIRE FONCTIONNER VOTRE GÉNÉRATRICE SOUS LES CONDITIONS SUIVANTES:

1. Lire et comprendre ces instructions
2. Endroit libre de toutes personnes
3. Mise à la terre correctement (génératrice)
4. Mise à la terre correctement (outils, appareils, etc.,)
5. Surfaces plates et égales
6. Endroit bien aéré

## Assembly

AUCUN OUTIL EXIGÉ POUR LE MONTAGE

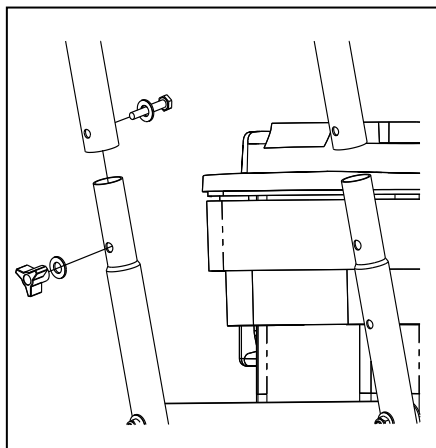


Fig. 2 - Montage de Manche

### ⚠ AVERTISSEMENT

**Il est possible qu'un interrupteur DDFT (GFCI) ne sera pas efficace si utilisé sur une génératrice qui n'est pas mise à la terre!**

3. Suivre tous les codes Locaux et Nationaux pour l'installation d'un disjoncteur DDFT (GFCI), ou contacter un électricien ou technicien diplômé ou certifié.

### MISE À LA TERRE

1. Utiliser la borne de mise à la terre et l'écrou à oreilles situé sur le bâti de la génératrice pour brancher le modèle à une source de mise à la terre convenable. Fixer avec sûreté, la borne d'extrémité du fil de terre à la borne de mise à la terre sur le bâti de la génératrice. Serrer la rondelle et l'écrou à oreilles par dessus la borne d'extrémité du fil de terre.
2. Le fil de terre doit être fabriqué de fil de calibre #8. N'utilisez pas un fil avec un numéro de calibre plus haut. Un numéro de calibre plus haut indique un fil plus mince qui ne pourrait fournir un trajet de mise à la terre suffisant.
3. L'autre bout du fil de terre doit être fixé avec sûreté à une source de mise à la terre approuvée.

Les sources de mise à la terre suivantes sont approuvées par le National Electric

## Fonctionnement

### PRÉ-FONCTIONNEMENT

1. **Vérifier le niveau d'huile avant chaque démarrage du moteur.** Se référer au Manuel de Moteur pour SAE et API et les spécifications de quantité de remplissage.
2. L'utilisation d'un disjoncteur DDFT (GFCI) est recommandée. Les disjoncteurs DDFT (GFCI) peuvent réduire le risque de blessures s'il y a un court circuit.



## Fonctionnement (Suite)

Code. Il pourrait avoir des sources additionnelles acceptables. Se référer au National Electric Code et aux règlements pour plus d'information concernant les sources de mise à la terre. Si vous ne connaissez pas les règlements ou les méthodes, recherchez de l'assistance d'un électricien qualifié ou diplômé.

- Un tuyau d'eau souterrain au moins 10 pi (3 m) de longueur.
- Un tuyau souterrain inoxydable au moins 8 pi (2,4 m) de longueur et 3/4 po (19,1 mm) de diamètre.
- Une tringle souterraine en acier ou en fer au moins 8 pi (2,4 m) de longueur et 5/8 po (15,9 mm) de diamètre.
- Une tringle non-ferreuse au moins 8 pi (2,4 m) de longueur, 1/2 po (12,7 mm) de diamètre et approuvée pour la mise à la terre.

Toutes tringle ou tuyau utilisés pour la mise à la terre doivent être enfoncés d'une profondeur de 8 pi (2,4 m) ou enterrés dans une tranchée aussi creuse que possible.

### DÉMARRAGE

- Vérifier le niveau d'huile et d'essence.
- Enlever toutes charges électriques de la génératrice.
- Mettre l'interrupteur à la position ON.

### USAGE DE PUISSANCE PRÉVU (WATTS)

Appareil de charge	Watts	Appareil de charge	Watts
Climatiseur	2000-3000	Radio	50-200
Machine à laver	150-1500	Réfrigérateur	190-2000
Cuveuse	100+	Poêle	1200
Séchoir	5000-10,000	Chauffage d'appoint	600-4800
Cafetière	400-700	Pompe de puisard	400-3000
Perceuse électrique (petite)	225-1000	Télévision	200-500
Perceuse électrique (large)	500-1000	Grille-pain	900-1700
Ventilateur	40-200	Aspirateur	200-300
Congélateur	300-500	Pompe à eau	1000-3000
Chauffe-plats	330-1100	Chauffe-eau	1000-5000
Fer à repasser	500-1500	Petite scie à main	1000-2000
Ampoule	Classifiée	Large scie à main	1500-2500

## CORDONS PROLONGATEURS

### LONGUEUR MAXIMUM RECOMMANDÉE (EN PIEDS)

Ampérage	Watts 120 V	Watts 240 V	Fil #8	Fil #10	Fil #12	Fil #14	Fil #16
2.5	300	600		1000	600	375	250
5	600	1200		500	300	200	125
7.5	900	1800		350	200	125	100
10	1200	2400		250	150	100	50
15	1800	3600		150	100	65	
20	2400	4800	175	125	75	50	
25	3000	6000	150	100	60		
30	3600	7200	125	65			
40	4800	9600	90				

- Diriger l'interrupteur choke/run à la position choke.
- Tirer sur la corde du démarreur avec un mouvement vif et uni.
- Diriger l'interrupteur choke/run à la position run.
- Permettre que le moteur fonctionne pendant 2-3 minutes sans charge après chaque démarrage.

**ATTENTION** La vitesse du moteur est réglée d'avance afin de fournir la tension de sortie correcte. Ne jamais essayer de modifier ni de régler la vitesse du moteur ou la tension de sortie.

### RODAGE DU MOTEUR

Après le démarrage initial, suivre les directives du fabricant pour le rodage du

moteur. Se référer au manuel de moteur pour la méthode de rodage correcte.

### COUPER LA GÉNÉRATRICE (OFF)

- Enlever tous les appareils électriques de la génératrice.
- Faire fonctionner le moteur pendant 2-3 minutes sans charges électriques.
- Régler l'interrupteur à la position OFF. Ceci causera le calage du moteur.
- Vérifier que la génératrice s'est arrêtée complètement.
- Permettre que le modèle se refroidisse avant l'installation d'un couvercle.

### APPAREILS DE CHARGE

- Les prises de courant de **120 volts** sont classifiées à 15A.
- La charge totale de n'importe quelle combinaison de prises de courant ne doit pas dépasser la limite de charge classifiée de la génératrice.

**REMARQUE:** L'appel de courant peut être calculé en multipliant les volts et ampères. Le résultat est la consommation en watts. Ne jamais dépasser la consommation en watts indiquée pour la génératrice ni pour une prise de courant individuelle. Se référer aux manuels d'utilisation et aux étiquettes sur le produit afin de déterminer la consommation en watts des appareils de charge électriques.

Les cordons d'alimentation et prolongateurs trop longs utilisent la puissance additionnelle. Utiliser une taille de cordon aussi courte que possible.

## Installation pour l'Usage Réserve

Il est nécessaire de prendre des précautions contre la rétroaction électrique dans les systèmes de services publics. Ceci requiert l'isolation du système électrique. Pour isoler le système électrique, suivre les méthodes suivantes:

1. Couper l'interrupteur général (off) avant de brancher la génératrice.
2. Conformément aux codes nationaux et locaux, un inverseur à deux directons doit être installé dans le système.

### ⚠️ AVERTISSEMENT

**Toujours couper (off) l'interrupteur général avant le branchement provisoire de la génératrice au système électrique d'un édifice.**

### ⚠️ AVERTISSEMENT

**L'installation de la génératrice comme source électrique de réserve doit être effectué par un électricien qualifié (diplômé ou breveté).**

## Entretien

### USAGE PEU FRÉQUENT

Pour éviter la difficulté avec le démarrage en cas d'usage peu fréquent, faire fonctionner la génératrice pour approximativement 30 minutes chaque semaine.

### STORAGE

En cas d'usage peu fréquent, suivre les procédés suivants avant l'entreposage:

1. S'assurer que le moteur soit rempli avec de l'huile au niveau correct.
2. Purger tout l'essence du réservoir, des canalisations et du carburateur.
3. Enlever la bougie d'allumage et verser approximativement une cuillère à café d'huile dans le trou de la bougie d'allumage.
4. Tirer sur le cordon de démarrage plusieurs fois afin d'étendre l'huile à travers le cylindre.
5. Tirer le cordon de démarrage lentement jusqu'au point de résistance. Ceci indique que le piston se dirige en haut pendant le cycle de compression et que les soupapes

d'admission et de sortie soient fermées. (Le piston pousse un peu d'air du trou de la bougie d'allumage pendant la compression).

**Se référer au manuel du moteur accompagnant ce modèle pour les instructions concernant l'entretien des pièces détachées du moteur.**

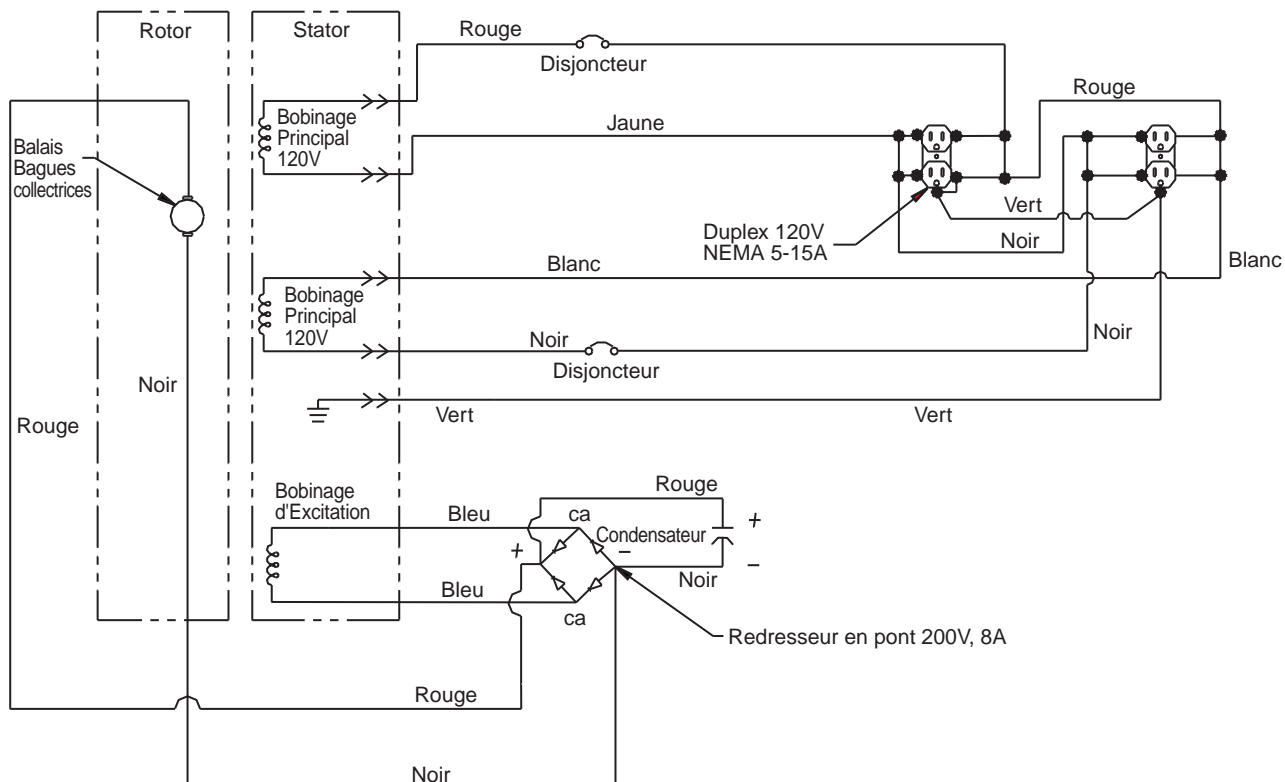


Fig. 3 - Schéma d'Installation de Fils pour GN301502AC et GN30C502AC

**Guide de Dépannage**

Symptôme	Cause(s) Possible(s)	Mesures Correctives						
Manque de puissance électrique des prises	<ol style="list-style-type: none"> <li>1. Vitesse de moteur trop lente</li> <li>2. Circuit ouvert, court-circuit ou installation de fils incorrecte</li> <li>3. Condensateur défectueux</li> <li>4. Circuit ouvert/court-circuit d'enroulement du rotor ou de stator</li> <li>5. Redresseur ouvert</li> </ol>	<ol style="list-style-type: none"> <li>1. Régler la vitesse du moteur *</li> <li>2. Se référer au schéma d'installation de fils, nettoyer et brancher de nouveau tous les fils*</li> <li>3. Remplacer le condensateur *</li> <li>4. Faire l'essai de la résistance de l'enroulement, remplacer l'enroulement si nécessaire *</li> <li>5. Faire l'essai du redresseur, remplacer si nécessaire *</li> </ol>						
Tension de sortie basse avec aucun charge	<table border="0"> <tr> <td style="vertical-align: top; padding-right: 10px;">6 Vac ou plus</td> <td> <ol style="list-style-type: none"> <li>1. Vitesse de moteur trop lente</li> <li>2. Redresseur ouvert</li> <li>3. Condensateur défectueux</li> <li>4. Circuit ouvert/court-circuit d'enroulement du rotor ou du stator</li> </ol> </td> <td> <ol style="list-style-type: none"> <li>1. Régler la vitesse du moteur *</li> <li>2. Faire l'essai du redresseur, remplacer si nécessaire *</li> <li>3. Remplacer le condensateur *</li> <li>4. Faire l'essai de la résistance de l'enroulement, remplacer l'enroulement si nécessaire *</li> </ol> </td> </tr> <tr> <td style="vertical-align: top; padding-right: 10px;">Sous 6 Vac</td> <td> <ol style="list-style-type: none"> <li>1. Tête de génératrice pas magnétisée</li> </ol> </td> <td> <ol style="list-style-type: none"> <li>1. Magnétisez de nouveau la tête de la génératrice *</li> </ol> </td> </tr> </table>	6 Vac ou plus	<ol style="list-style-type: none"> <li>1. Vitesse de moteur trop lente</li> <li>2. Redresseur ouvert</li> <li>3. Condensateur défectueux</li> <li>4. Circuit ouvert/court-circuit d'enroulement du rotor ou du stator</li> </ol>	<ol style="list-style-type: none"> <li>1. Régler la vitesse du moteur *</li> <li>2. Faire l'essai du redresseur, remplacer si nécessaire *</li> <li>3. Remplacer le condensateur *</li> <li>4. Faire l'essai de la résistance de l'enroulement, remplacer l'enroulement si nécessaire *</li> </ol>	Sous 6 Vac	<ol style="list-style-type: none"> <li>1. Tête de génératrice pas magnétisée</li> </ol>	<ol style="list-style-type: none"> <li>1. Magnétisez de nouveau la tête de la génératrice *</li> </ol>	
6 Vac ou plus	<ol style="list-style-type: none"> <li>1. Vitesse de moteur trop lente</li> <li>2. Redresseur ouvert</li> <li>3. Condensateur défectueux</li> <li>4. Circuit ouvert/court-circuit d'enroulement du rotor ou du stator</li> </ol>	<ol style="list-style-type: none"> <li>1. Régler la vitesse du moteur *</li> <li>2. Faire l'essai du redresseur, remplacer si nécessaire *</li> <li>3. Remplacer le condensateur *</li> <li>4. Faire l'essai de la résistance de l'enroulement, remplacer l'enroulement si nécessaire *</li> </ol>						
Sous 6 Vac	<ol style="list-style-type: none"> <li>1. Tête de génératrice pas magnétisée</li> </ol>	<ol style="list-style-type: none"> <li>1. Magnétisez de nouveau la tête de la génératrice *</li> </ol>						
Tension de sortie élevée avec aucun charge	<ol style="list-style-type: none"> <li>1. Condensateur défectueux</li> <li>2. Vitesse de moteur trop rapide</li> </ol>	<ol style="list-style-type: none"> <li>1. Remplacer le condensateur *</li> <li>2. Régler la vitesse du moteur *</li> </ol>						
Tension de sortie basse en charge	<ol style="list-style-type: none"> <li>1. Redresseur ouvert</li> <li>2. Vitesse de moteur trop lente en pleine charge</li> <li>3. Charge excessive</li> </ol>	<ol style="list-style-type: none"> <li>1. Remplacer le condensateur *</li> <li>2. Régler la vitesse du moteur *</li> <li>3. Diminuer la charge appliquée</li> </ol>						
Tension de sortie irrégulière	<ol style="list-style-type: none"> <li>1. Surtension du moteur</li> <li>2. Branchement de fil sale, corrodé ou desserré</li> <li>3. Charge non équilibrée</li> </ol>	<ol style="list-style-type: none"> <li>1. Se référer au manuel du moteur</li> <li>2. Nettoyer et brancher de nouveau tous les fils selon le schéma d'installation de fils *</li> <li>3. Enlever tous les appareils de charge, ensuite les appliquer un par un afin de déterminer l'appareil qui fonctionne irrégulièrement</li> </ol>						
Fonctionnement bruyant	<ol style="list-style-type: none"> <li>1. Boulon de génératrice ou de moteur desserré</li> <li>2. Court-circuit de génératrice ou de charge</li> <li>3. Palier défectueux</li> </ol>	<ol style="list-style-type: none"> <li>1. Serrer tous les montages</li> <li>2. Faire l'essai de la résistance de l'enroulement, remplacer l'enroulement si nécessaire * Faire l'essai des appareils de charge pour des court-circuits et remplacer l'appareil défectueux.</li> <li>3. Remplacer le palier</li> </ol>						

\* Ces méthodes de diagnostic et de réparation doivent être effectuées par un centre de service autorisé.

**Garantie Limitée**

1. DURÉE: À partir de la date d'achat par l'acheteur originel comme suit: Produits À Service Standard (Standard Duty) - Un An, Produits À Service Sérieux (Serious Duty) - Deux Ans, Produits À Service Extrême (Extreme Duty) - Trois Ans. Les modèles utilisés pour les applications de location, industriels ou commerciaux sont garantis pour 90 jours à partir de la date d'achat.
2. GARANTIE ACCORDÉE PAR (GARANT):  
Campbell Hausfeld / Scott Fetzer Company  
100 Production Drive  
Harrison, Ohio, 45030  
Téléphone: (800) 803-1436
3. BÉNÉFICIAIRE DE CETTE GARANTIE (ACHETEUR): L'acheteur originel (sauf en cas de revente) de la génératrice Campbell Hausfeld.
4. PRODUITS COUVERTS PAR CETTE GARANTIE: Toutes les génératrices portatives Campbell Hausfeld qui sont fournies ou fabriquées par le Garant.
5. COUVERTURE DE LA PRÉSENTE GARANTIE: Défauts de matière et de fabrication considérables qui se révèlent pendant la période de validité de la garantie.
6. LA PRÉSENTE GARANTIE NE COUVRE PAS:
  - A. Les garanties implicites, y compris celles de commercialisabilité et D'ADAPTION À UNE FONCTION PARTICULIÈRE SONT LIMITÉES À PARTIR DE LA DATE D'ACHAT INITIALE TELLE QU'INDIQUÉE DANS LA SECTION DURÉE. Quelques Provinces (États) n'autorisent pas de limitations de durée pour les garanties implicites. Les limitations précédentes peuvent donc ne pas s'appliquer.
  - B. TOUT DOMMAGE, PERTE OU DÉPENSE FORTUIT OU INDIRECT POUVANT RÉsulTER DE TOUT DÉFAUT, PANNE OU MAUVAIS FONCTIONNEMENT DU PRODUIT CAMPBELL HAUSFELD. Quelques Provinces (États) n'autorisent pas l'exclusion ni la limitation des dommages fortuits ou indirects. La limitation ou exclusion précédente peut donc ne pas s'appliquer.
  - C. Toute panne résultant d'un accident, de dommage pendant l'expédition, d'une utilisation abusive, de la négligence ou d'une utilisation ne respectant pas les instructions données dans le(s) manuel(s) accompagnant le produit.
  - D. Service avant livraison; montage, huile ou lubrifiants et réglages par exemples.
  - E. Articles ou service normalement requis pour l'entretien du produit; lubrifiants et filtres par exemple.
  - F. Les pièces détachées des moteurs à essence sont expressément exclues de cette garantie limitée. L'acheteur doit retourner les pièces détachées du moteur à essence au fabricant originel ou à son centre de service autorisé.
7. RESPONSABILITÉS DU GARANT AUX TERMES DE CETTE GARANTIE: Réparation ou remplacement, au choix du Garant, de la génératrice ou des pièces détachées qui se sont révélées défectueuses pendant la durée de la garantie.
8. RESPONSABILITÉS DE L'ACHETEUR AUX TERMES DE CETTE GARANTIE:
  - A. Fournir une preuve d'achat datée et un état d'entretien.
  - B. La livraison ou expédition de la génératrice ou pièce Campbell Hausfeld au Centre De Service Autorisé Campbell Hausfeld. Taux de frais, si applicables, sont la responsabilité de l'acheteur.
  - C. Utilisation et entretien de la génératrice avec un soin raisonnable, ainsi que le décri(vent)t le(s) manuel(s) d'utilisation.
9. RÉPARATION OU REMPLACEMENT EFFECTUÉ PAR LE GARANT AUX TERMES DE LA PRÉSENTE GARANTIE:
  - A. La réparation ou le remplacement sera prévu et exécuté en fonction de la charge de travail dans le centre de service et dépendra de la disponibilité des pièces de rechange.
  - B. Si l'acheteur n'est pas satisfait des services du Centre De Service Autorisé, l'acheteur devrait contacter Campbell Hausfeld (se référer au paragraphe 2).

Cette Garantie Limitée s'applique aux É.-U. et au Canada et vous confère des droits judiciaires précis. L'acheteur peut également jouir d'autres droits qui varient d'une Province, d'un État ou d'un Pays à l'autre.

Favor ler e guardar essas instruções. Leia com atenção antes de tentar montar, instalar, operar ou fazer a manutenção do produto descrito. Proteja a si próprio e a terceiros obedecendo todas as informações de segurança. A não observância dessas instruções pode resultar em lesões pessoais e/ou danos materiais! Guarde essas instruções para futura referência.



## Geradores

### Descrição

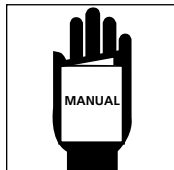
Esses geradores são acionados por motores de quatro ciclos resfriados a ar e foram projetados para funcionar na máxima RPM e para fornecer potência contínua conforme homologada.

### Desembalagem

Ao desembalar, inspecione cuidadosamente quanto a danos que possam ter ocorrido durante o transporte. Certifique-se de que todos os acessórios, parafusos soltos etc. estejam apertados antes de colocar a unidade em funcionamento.

### Segurança Geral

1. Antes de dar partida ou antes de iniciar a manutenção do gerador, leia e compreenda todas as instruções. A não observância das



- precauções e instruções de segurança pode causar danos ao equipamento e/ou lesões pessoais graves. As instruções do motor, para essas unidades, estão contidas em um manual separado. Guarde todos os manuais para futura referência.
2. Não use esse gerador para qualquer outra aplicação que não tenha sido especificada pelo fabricante e nunca opere este gerador sob condições não aprovadas pelo fabricante. Não tente modificar este gerador para que ele desempenhe de outra forma que não a pretendida pelo fabricante.
3. Para manutenção e reparos use somente produtos e peças recomendados pelo fabricante.
4. Certifique-se de que o gerador esteja adequadamente aterrado em um fio terra externo antes da operação.

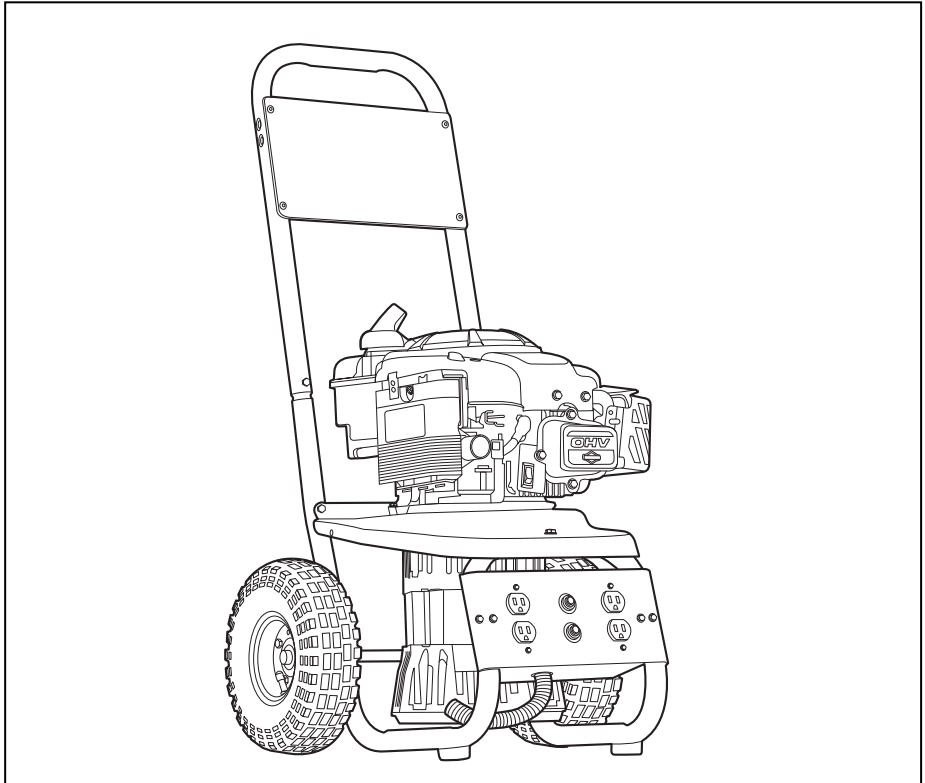


Figura 1 – Unidades montadas do GN301502AC e GN30C502AC

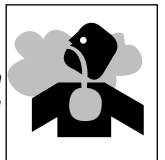
5. Consulte a seção intitulada “Instruções sobre aterramento” quanto aos procedimentos adequados para o aterramento.
6. Certifique-se de que o gerador seja operado somente por pessoas que tenham lido e compreendido estas instruções.
7. Certifique-se de que o gerador seja colocado em uma superfície plana nivelada antes e durante a operação. O gerador não pode deslizar ou se movimentar durante a operação.
8. Mantenha todas as pessoas afastadas do gerador durante a operação.
9. Não permita que pessoas usando roupas soltas ou bijuterias liguem ou operem o gerador. Objetos soltos podem ficar presos nos componentes

em movimento e causar danos ao equipamento e/ou lesões pessoais.

9. Mantenha todas as pessoas afastadas de peças em movimento ou peças que se aqueçam durante a operação.
10. Certifique-se de que todos os dispositivos energizados tenham sido desligados antes de conectá-los ao gerador.
11. Mantenha o gerador sempre limpo e em bom estado de conservação.

### AVISO

Nunca opere este gerador em uma atmosfera inflamável ou em área com pouca ventilação.



## Segurança geral (continuação)

12. Certifique-se de que todas as ferramentas e aparelhos estejam em boas condições e adequadamente aterrados. Use dispositivos com fios elétricos de três pinos. Se for usada uma extensão, certifique-se de que ela possua três pinos para o aterramento adequado.

**AVISO** Não opere este gerador em superfícies úmidas ou sob chuva.

13. Nunca opere o gerador com peças danificadas, quebradas ou faltando peças ou quando qualquer um dos componentes de proteção tiver sido removido.

**PERIGO** Desligue o motor do gerador e desconecte o cabo da vela de ignição antes de realizar qualquer reparo ou manutenção na unidade.

14. Use apenas combustível sem chumbo. Não reabasteça o tanque de combustível com o motor ligado. Tome cuidado para não derramar combustível durante o abastecimento. Certifique-se de que a tampa do tanque de combustível esteja bem apertada antes de dar partida no motor. Deixe o motor esfriar pelo menos por 2 minutos antes de abastecer.

**CUIDADO** Não misture óleo com gasolina neste motor. O óleo é usado apenas com a finalidade de lubrificação do motor.

## Montagem

A MONTAGEM NÃO REQUER FERRAMENTAS

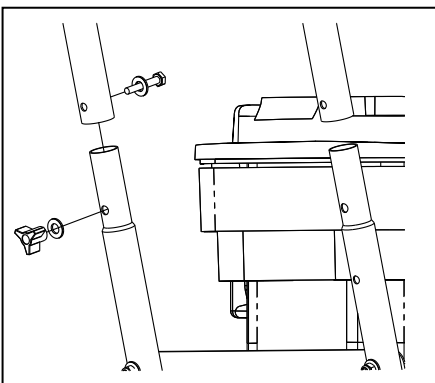


Figura 2 – Montagem da manivela

### NUNCA OPERE O GERADOR SOB AS SEGUINTESS CONDIÇÕES:

1. Chuva ou mau tempo
2. Vibração excessiva
3. Centelhas
4. Falha do motor
5. Perda de potência elétrica
6. Alteração ou oscilação na velocidade do motor
7. Aquecimento excessivo no equipamento conectado
8. Tomadas danificadas
9. Peças danificadas, quebradas ou faltando
10. Componentes de proteção removidos

### OPERE O GERADOR SEMPRE SOB AS SEGUINTESS CONDIÇÕES:

1. Leia e compreenda essas instruções
2. Afaste todas as pessoas
3. Equipamento adequadamente aterrado (gerador)
4. Equipamento adequadamente aterrado (ferramentas/aparelhos/etc.)
5. Superfícies planas niveladas
6. Áreas bem ventiladas

## Operação

### PRÉ-OPERAÇÃO

1. **Verifique o nível de óleo do motor toda vez que ligar o gerador.** Consulte o Manual do motor quanto às especificações da SAE, API e quantidade de abastecimento.
2. Recomenda-se enfaticamente o uso do Interruptor do Circuito de Falha de Aterramento Elétrico (Ground Fault Circuit Interrupter - GFCI). Os Interruptores de Circuito de Falha de Aterramento Elétrico podem reduzir significativamente a possibilidade de ferimento em caso de curto-circuito.

**AVISO** Um Interruptor de Circuito de Falha de Aterramento Elétrico pode não ser eficaz se usado em gerador que não esteja aterrado!

3. Ao instalar um GFCI, certifique-se quanto ao cumprimento de todas as regulamentações nacionais e locais ou contate um electricista licenciado ou credenciado.

### ATERRAMENTO

1. Use o terminal de terra e a porca borboleta na armação do gerador para conectar a unidade a uma fonte adequada de aterramento. Aperte bem o terminal do fio terra ao terminal de aterramento na carcaça do gerador. Aperte a arruela e a porca borboleta na parte superior do terminal do fio terra.

2. O fio terra deve ser um fio de calibre 8. Não use fio de calibre maior. Fios com calibres maiores representam fios mais finos que podem não proporcionar um caminho adequado para o aterramento.
3. A outra extremidade do fio terra deve ser firmemente presa a uma fonte aprovada.

Encontram-se descritas a seguir as fontes de aterramento aprovadas pelo National Electric Code (Código Elétrico Nacional). Podem também ser aceitáveis outras fontes de aterramento. Consulte o National Electric Code e as regulamentações locais para mais informações sobre fonte de aterramento. Em caso de dúvidas sobre regulamentações ou procedimentos, peça a ajuda de um electricista qualificado (licenciado ou credenciado).

- a. Canalização de água subterrânea de pelo menos 3 metros (10 pés) de comprimento
- b. Canalização subterrânea não corrosiva de pelo menos 2,4 metros (8 pés) de comprimento e 1,9 cm (3/4 pol.) de diâmetro.
- c. Uma barra subterrânea de aço ou de ferro de pelo menos 2,4 metros (8 pés) de comprimento e 1,6 cm (5/8 pol.) de diâmetro.
- d. Uma barra não ferrosa de pelo menos 2,4 metros de comprimento (8 pés), 1,3 cm (1/2 pol.) de diâmetro e aprovada para objetivos de aterramento.

Qualquer barra ou canalização usada para aterramento deve estar colocada a



## Operação (continuação)

2,4 metros de profundidade (8 pés) ou ser enterrada na vala mais profunda possível.

### PARTIDA

1. Verifique o nível de óleo e combustível.
2. Remova todas as cargas elétricas do gerador.
3. Coloque o botão na posição ON (ligada).
4. Coloque o interruptor do afogador/marcha para a posição do afogador.
5. Puxe o cabo de arranque com um movimento rápido e uniforme.
6. Coloque o interruptor do afogador/marcha na posição de marcha.
7. Após cada partida, deixe o motor funcionar por 2 ou 3 minutos sem carga.

### **⚠ CUIDADO** *A Velocidade do*

*motor é pré-ajustada para fornecer voltagem de saída adequada. Não tente nunca modificar ou ajustar a velocidade do motor ou a voltagem de saída.*

### AMACIAMENTO DO MOTOR

Após a partida inicial, o motor deve ser amaciado de acordo com as instruções do fabricante. Consulte o manual do motor para os procedimentos adequados de amaciamento.

### PARADA DO GERADOR

1. Retire todos os dispositivos de carga elétrica do gerador.

### CONSUMO ESTIMADO DE ENERGIA (WATTS)

Dispositivo de Carga	Watts	Dispositivo de Carga	Watts
Ar condicionado	2000-3000	Rádio	50-200
Lavadora automática	150-1500	Geladeira	190-2000
Incubadora	100+	Frigideira elétrica	1200
Secadora de roupas	5000-10,000	Aquecedor	600-4800
Cafeteira elétrica	400-700	Bomba de esgoto	400-3000
Furadeira elétrica (pequena)	225-1000	Televisão	200-500
Furadeira elétrica (grande)	500-1000	Torradeira	900-1700
Ventilador	40-200	Aspirador de pó	200-300
Freezer	300-500	Bomba d'água	1000-3000
Chapa quente	330-1100	Aquecedor por água	1000-5000
Ferro	500-1500	Serra manual pequena	1000-2000
Lâmpada	Conforme homologado	Serra manual grande	1500-2500

## EXTENSÕES

### COMPRIMENTOS MÁXIMOS RECOMENDADOS (EM PÉS)

Amps	Watts 120 V	Watts 240 V	Fio No. 8	Fio No.10	Fio No. 12	Fio No. 14	Fio No. 16
2.5	300	600		1000	600	375	250
5	600	1200		500	300	200	125
7.5	900	1800		350	200	125	100
10	1200	2400		250	150	100	50
15	1800	3600		150	100	65	
20	2400	4800	175	125	75	50	
25	3000	6000	150	100	60		
30	3600	7200	125	65			
40	4800	9600	90				

2. Deixe o motor ligado por 2 a 3 minutos sem carga elétrica.
3. Coloque o interruptor para posição OFF (desligado), isso fará com que o motor pare.
4. Verifique se o gerador parou completamente.
5. Deixe a unidade esfriar antes de cobri-la.

### DISPOSITIVO DE CARGA

1. As tomadas de 120 volts foram homologadas a 15 amps.
2. A carga total combinada através de qualquer combinação de tomadas não deve ultrapassar os limites nominais da carga do gerador.

**OBS:** Pode-se calcular o débito de potência multiplicando-se volts por ampères. O número resultante é a potência.

Nunca ultrapasse a potência máxima indicada para gerador ou qualquer outra tomada individual. Consulte os manuais do proprietário e as etiquetas do produto para determinar a potência de dispositivos de carga elétrica.

## Instalação para uso como reserva

Fios elétricos longos e fios de extensão consomem energia adicional. Mantenha os fios no menor comprimento possível.

Deve-se tomar cuidado para evitar regeneração elétrica nos sistemas utilitários. Isto requer o isolamento do sistema elétrico. Para isolar o sistema elétrico, siga os seguintes procedimentos abaixo:

1. Desligue o interruptor do sistema elétrico principal antes de conectar o gerador.
2. Em conformidade com as normas nacionais e locais, pode-se instalar um interruptor de transferência de duas vias no sistema.

### **⚠ AVISO**

*Desligue sempre a alimentação principal antes da conexão temporária de um gerador ao sistema elétrico de um prédio.*

### **⚠ AVISO**

*A instalação do gerador como fonte elétrica de reserva deve ser realizada por eletricista qualificado (licenciado ou credenciado).*

## Manutenção

### USO ESPORÁDICO

Se o gerador for usado com pouca frequência a partida pode tornar-se difícil. Para que se possa contribuir para evitar problemas na partida o gerador deve funcionar durante aproximadamente 30 minutos por semana.

### ARMAZENAGEM

Se o gerador não for usado por um longo prazo, devem ser observados os

procedimentos de pré-armazenagem abaixo:

1. Certifique-se de que o óleo do motor esteja no nível adequado.
2. Drene todo o combustível do tanque, tubulações e carburador.
3. Remova a vela de ignição e coloque aproximadamente uma colher de chá de óleo no orifício da vela de ignição.
4. Puxe diversas vezes o cabo de arranque para distribuir o óleo pelo cilindro todo.

5. Puxe lentamente o cabo de arranque até sentir resistência. Isso indica que o pistão está se movimentando para cima no ciclo de compressão e que as válvulas de admissão e descarga estão fechadas. (O pistão empurra uma pequena quantidade de ar do orifício da vela de ignição na compressão).

Consulte o manual do motor que acompanha esta unidade para instruções com relação à manutenção dos componentes do motor.

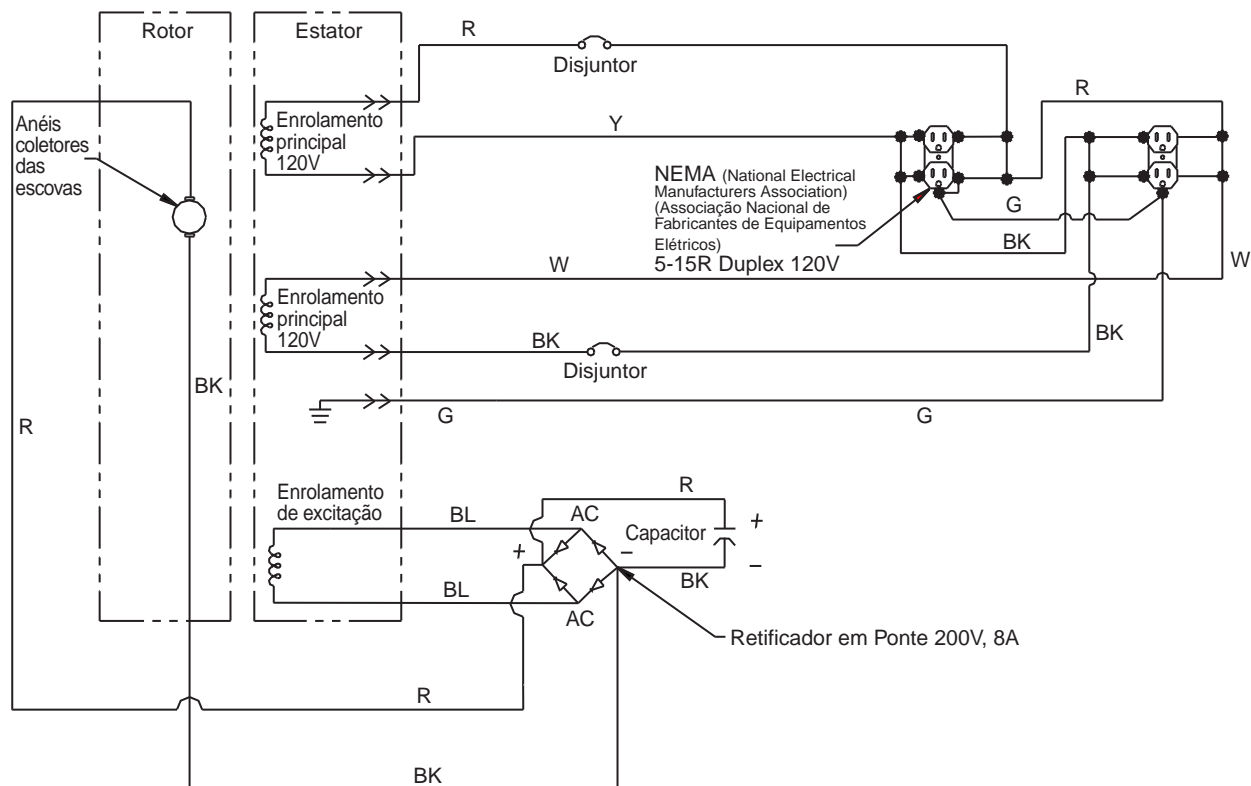


Figura 3. Diagrama da Fiação Elétrica para o GN301502AC e GN30C502AC

**Tabela para Pesquisa de Avarias**

Sintoma	Possíveis Causas	Ação Corretiva
Saída nula das tomadas	<ol style="list-style-type: none"> <li>1. Velocidade do motor muito baixa</li> <li>2. Conexão elétrica aberta, em curto ou incorreta</li> <li>3. Capacitor defeituoso</li> <li>4. Enrolamentos do rotor ou estator abertos/em curto</li> <li>5. Retificador aberto</li> </ol>	<ol style="list-style-type: none"> <li>1. Ajustar a velocidade do motor *</li> <li>2. Consulte o diagrama de fiação elétrica, limpe e reconecte toda a fiação elétrica *</li> <li>3. Substitua o capacitor *</li> <li>4. Teste a resistência do enrolamento e substitua se necessário *</li> <li>5. Teste o retificador, substitua se necessário *</li> </ol>
Baixa voltagem de saída sem carga	<p>6 Vca ou acima</p> <ol style="list-style-type: none"> <li>1. Velocidade do motor muito baixa</li> <li>2. Retificador aberto</li> <li>3. Capacitor defeituoso</li> <li>4. Enrolamentos do rotor ou estator abertos/em curto</li> </ol> <p>Abaixo de 6 Vca</p> <ol style="list-style-type: none"> <li>1. Cabeçote do gerador não magnetizado</li> </ol>	<ol style="list-style-type: none"> <li>1. Ajuste a velocidade do motor *</li> <li>2. Teste o retificador, substitua se necessário *</li> <li>3. Substitua o capacitor *</li> <li>4. Teste a resistência do enrolamento, substitua se necessário *</li> <li>1. Re-magnetize o cabeçote do gerador *</li> </ol>
Alta voltagem de saída sem carga	<ol style="list-style-type: none"> <li>1. Capacitor defeituoso</li> <li>2. Velocidade do motor muito alta</li> </ol>	<ol style="list-style-type: none"> <li>1. Substitua o capacitor *</li> <li>2. Ajuste a velocidade do motor *</li> </ol>
Baixa voltagem de saída com carga	<ol style="list-style-type: none"> <li>1. Retificador aberto</li> <li>2. Velocidade do motor muito baixa a plena carga</li> <li>3. Carga excessiva aplicada</li> </ol>	<ol style="list-style-type: none"> <li>1. Teste o retificador, substitua se necessário *</li> <li>2. Ajuste a velocidade do motor *</li> <li>3. Reduza a carga aplicada</li> </ol>
Voltagem de saída errática	<ol style="list-style-type: none"> <li>1. Motor em sobretensão</li> <li>2. Conexão elétrica suja, corroída ou solta</li> <li>3. Carga aplicada desbalanceada</li> </ol>	<ol style="list-style-type: none"> <li>1. Consulte o manual do motor</li> <li>2. Consulte o diagrama da fiação elétrica, limpe e reconecte toda a fiação elétrica *</li> <li>3. Retire todas as cargas e em seguida aplique cada uma individualmente para determinar qual delas está causando funcionamento errático</li> </ol>
Operação ruidosa	<ol style="list-style-type: none"> <li>1. Parafuso do gerador ou do motor solto</li> <li>2. Curto-circuito no campo ou carga do gerador</li> <li>3. Mancal defeituoso</li> </ol>	<ol style="list-style-type: none"> <li>1. Aperte todas as bases de montagem</li> <li>2. Teste a resistência do enrolamento, substitua o enrolamento de campo se necessário. * Teste os dispositivos de carga quanto a curtos-circuitos. Substitua os dispositivos de carga defeituosos.</li> <li>3. Substitua o mancal</li> </ol>

\* Estes procedimentos de diagnóstico e reparo devem ser realizados pela assistência técnica autorizada.

### **Garantia Limitada**

1. **DURAÇÃO:** A partir da data de compra pelo comprador original conforme a seguir: Produtos de Serviço Normal (Standard Duty) - Um Ano, Produtos de Serviço Intenso (Serious Duty) - Dois Anos, Produtos de Serviço Extremo (Extreme Duty) - Três Anos. Unidades com objetivo de uso comercial, industrial ou de aluguel são garantidas por 90 dias a partir da data de compra.
2. **QUEM CONCEDE ESTA GARANTIA (GARANTIDOR):**  
Campbell Hausfeld/Scott Fetzer Company, 100 Production Drive, Harrison, Ohio, 45030, Telefone: (800) 803-1436
3. **QUEM RECEBE ESTA GARANTIA (COMPRADOR):** O comprador original (não para objetivo de revenda) do gerador Campbell Hausfeld.
4. **QUAIS SÃO OS PRODUTOS COBERTOS POR ESTA GARANTIA:** Qualquer gerador portátil Campbell Hausfeld fornecido e fabricado pelo Garantidor.
5. **O QUE ESTÁ COBERTO NESTA GARANTIA:** Defeitos substanciais de material e mão de obra que se apresentem durante o prazo de garantia.
6. **O QUE NÃO ESTÁ COBERTO NESTA GARANTIA:**
  - A. **Garantias implícitas, incluindo as de COMERCIALIZABILIDADE E ADEQUAÇÃO PARA UM OBJETIVO ESPECÍFICO SÃO LIMITADAS A PARTIR DA DATA DA COMPRA ORIGINAL, CONFORME ESTABELECIDO NO ITEM DURAÇÃO ACIMA.** Alguns estados (nos Estados Unidos) não permitem limites referentes ao prazo de duração da garantia implícita, de forma que os limites acima podem não se aplicar ao seu caso.
  - B. **QUALQUER PERDA, DANO OU DESPESA INCIDENTAIS, INDIRETOS OU RESULTANTES, QUE POSSAM RESULTAR DE QUALQUER DEFEITO, FALHA OU MAU FUNCIONAMENTO DO PRODUTO DA CAMPBELL HAUSFELD.** Alguns estados (nos Estados Unidos) não permitem a exclusão ou limite de danos incidentais ou resultantes, de forma que o limite e exclusão acima podem não se aplicar ao seu caso.
  - C. **Qualquer falha resultante de acidente, dano de remessa, abuso por parte do comprador, negligência ou da não operação do produto de acordo com as instruções no(s) manual(ais) do proprietário que acompanha(m) este produto.**
  - D. **Serviços de pré-entrega, isto é, montagem, óleo ou lubrificantes e ajustes.**
  - E. **Itens ou serviços normalmente exigidos para manter o produto, isto é, lubrificantes e filtros.**
  - F. **Componentes do motor a gasolina estão expressamente excluídos dessa garantia limitada. Esses componentes devem ser devolvidos pelo comprador ao fabricante original ou ao seus agentes de serviços autorizados para conserto.**
7. **RESPONSABILIDADES DO GARANTIDOR DE ACORDO COM ESTA GARANTIA:** Consertar ou substituir, a critério do garantidor, o gerador ou o(s) componente(s) que apresente(m) defeito durante o prazo de garantia.
8. **RESPONSABILIDADES DO COMPRADOR DE ACORDO COM ESTA GARANTIA:**
  - A. **Apresentar comprovante da data de compra e registros de manutenção.**
  - B. **Entregar ou remeter o gerador ou componente ao Centro de Serviço Autorizado da Campbell Hausfeld mais próximo. Os custos de frete, se houver, devem ser por conta do comprador.**
  - C. **Usar cuidado adequado na operação e manutenção do gerador, conforme descrito no(s) manual(ais) do proprietário.**
9. **QUANDO O GARANTIDOR IRÁ CONSERTAR OU SUBSTITUIR DE ACORDO COM ESTA GARANTIA:**
  - A. **Consertos ou substituições serão programados e realizados de acordo com o fluxo de trabalho normal no local de conserto e dependendo da disponibilidade das peças para reposição.**
  - B. **Se o comprador não receber resultados satisfatórios do Centro de Serviço Autorizado, o comprador deve contatar a Campbell Hausfeld (veja o parágrafo 2).**

Esta Garantia Limitada se aplica apenas aos Estados Unidos e Canadá e lhe fornece direitos legais específicos. Você pode também ter outros direitos, que variam de um estado para outro (nos Estados Unidos), ou de um país para outro.

Sírvase leer y guardar estas instrucciones. Lea con cuidado antes de tratar de armar, instalar, manejar o darle servicio al producto descrito en este manual. Protéjase Ud. y a los demás observando todas las reglas de seguridad. El no seguir las instrucciones podría resultar en heridas y/o daños a su propiedad. Guarde este manual como referencia.



# Generadores

## Descripción

Estos generadores están impulsados por motores de cuatro tiempos refrigerados por aire. Han sido diseñados para funcionar al número máximo de revoluciones por minuto y para proveer continuamente la potencia en vatios especificada por su clasificación.

## Para Desempacar

Cuando desempaque el generador, revíselo con cuidado para asegurarse de que no ha sido dañado en tránsito. Asegúrese también de que cualquier tuerca, junta, etc., que puede haberse aflojado en tránsito quede bien apretada antes de poner el generador en funcionamiento.

## Medidas de Seguridad

1. Antes de prender o darle servicio a cualquier generador, lea y entienda bien todas las instrucciones. No observe las medidas de seguridad o las instrucciones puede resultar en lesiones graves o daños al equipo. Las instrucciones para los motores de estos generadores se encuentran en otro manual. Guarde todos los manuales como referencia para el futuro.
2. Nunca utilice este generador salvo para un uso especificado por el fabricante. Nunca maneje este generador bajo condiciones no aprobadas por el fabricante. Nunca trate de modificar este generador para darle usos no planeados por el fabricante.

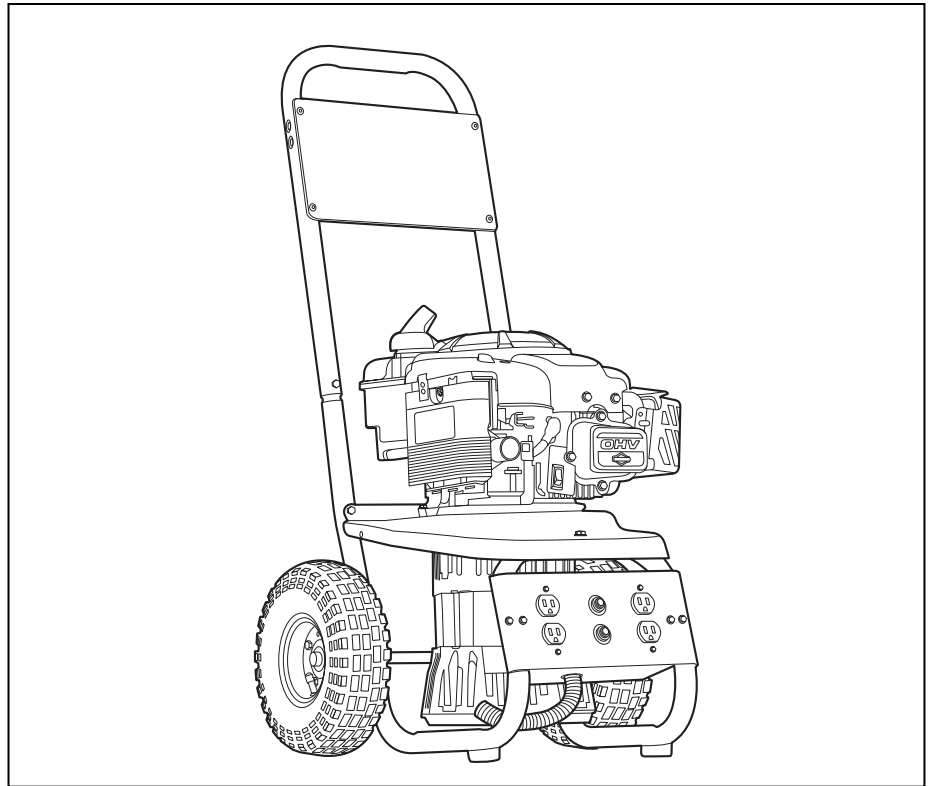
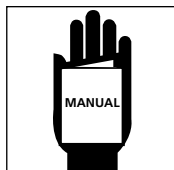


Fig. 1 - Máquinas GN301502AC y GN30C502AV montadas

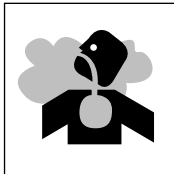
3. Para mantener y reparar este generador, use sólo los productos y partes recomendados por el fabricante.
4. Asegúrese de que el generador esté bien conectado con un cable externo de toma de tierra antes de manejarlo. Consulte la sección titulada "Conexión con Tierra" para averiguar los procedimientos correctos de esta operación.
5. Asegúrese de que el generador sea manejado solamente por personas que han leído estas instrucciones y las entienden.
6. Asegúrese de que el generador esté colocado sobre una superficie plana y horizontal antes de manejarlo y cuando esté funcionando. El generador no debe correrse ni deslizarse cuando está funcionando.
7. Cuando el generador está funcionando, mantenga alejadas a todas las personas.
8. No permita que personas con ropa o joyas sueltas preñan o manejen el generador. La ropa y joyas sueltas pueden enredarse con partes móviles, causando daños al equipo o lesiones corporales.
9. Mantenga alejadas a todas las personas de las partes del generador que se mueven o que se calientan cuando está funcionando.

## Medidas de Seguridad (Continuación)

- Asegúrese de que cualquier aparato que será impulsado por el generador esté apagado antes de conectarlo.
- Mantenga el generador limpio y en buen estado.

### ADVERTENCIA

**Nunca maneje este generador en un ambiente explosivo o mal ventilado.**



- Asegúrese de que todas las herramientas y aparatos estén en buen estado y bien conectados con tierra. Use aparatos que tengan enchufes tripolares. Si usa un cordón de extensión, asegúrese de que sea tripolar para que la conexión con tierra sea buena.

### ADVERTENCIA

**No maneje este generador sobre superficies mojadas o en tiempo de lluvia.**

- Nunca maneje el generador si le faltan partes o si tiene partes dañadas o rotas. Nunca lo maneje si algún dispositivo protector ha sido quitado.

### PELIGRO

**Apague el motor del generador y desconecte el cable de la bujía antes de darle cualquier servicio.**

- Use solamente gasolina sin plomo. No agregue gasolina al tanque cuando el motor está funcionando. Obre con cuidado para evitar un derrame cuando llene el tanque. Asegúrese de que la tapa del tanque esté bien ajustada antes de prender el motor. Deje que el motor se enfríe por dos minutos como mínimo antes de llenar el tanque.

### PRECAUCION

**Nunca utilice una mezcla de aceite con gasolina en este motor. El aceite solamente debe usarse para lubricar el motor.**

### NUNCA MANEJE SU GENERADOR BAJO ESTAS CONDICIONES:

- Tiempo inclemente o lluvioso
- Vibración excesiva
- Está echando chispas
- Falla del motor
- Disminución de la producción eléctrica
- Cambio u oscilación de la velocidad del motor
- Recalentamiento del equipo conectado
- Tomacorrientes dañados
- Partes dañadas, rotas, o que faltan
- Dispositivos protectores quitados

### SIEMPRE MANEJE SU GENERADOR BAJO ESTAS CONDICIONES:

- Ha leído y entendido bien estas instrucciones
- Alejado de todas las personas
- Con el generador bien conectado con tierra
- Con las herramientas y aparatos bien conectados con tierra
- Superficie plana y horizontal
- Ambiente bien ventilado

## Montaje

EL MONTAJE NO REQUIERE NINGUNA HERRAMIENTA

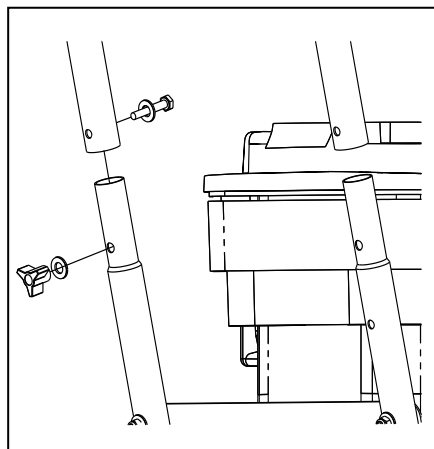


Fig. 2 - Montaje del mango

## Funcionamiento

### ANTES DE MANEJAR EL GENERADOR

- Controle el nivel de aceite cada vez que prenda el generador. Consulte el manual del motor, donde se encuentran las recomendaciones de la SAE y API sobre el nivel y clase de aceite adecuados.
- Se recomienda el uso de un Interruptor de Falla a Tierra (IFT). Los Interruptores de Falla a Tierra pueden reducir de modo significativo

el peligro de lesionarse si ocurre un cortocircuito.

### ADVERTENCIA

**Un Interruptor de Falla a Tierra puede no ser efectivo si el generador no está conectado con tierra!**

- Quando instale un Interruptor de Falla a Tierra, tenga cuidado en observar todas las reglamentaciones nacionales y locales, o llame a un electricista licenciado o habilitado.

### CONEXION CON TIERRA

- Utilice el terminal de tierra y la tuerca de aletas en el armazón del generador para conectar el generador con una toma de tierra adecuada. Sujete firmemente el terminal del cable de conexión con tierra al terminal de tierra en el armazón. Apriete la arandela y la tuerca de aletas encima del terminal del cable de conexión con tierra.
- El cable de conexión con tierra debe estar hecho con cable de calibre No. 8. No use un cable con un número de calibre mayor. Los números de cable mayores designan cables más delgados que pueden ser inadecuados como cables de conexión con tierra.
- La otra punta del cable de conexión con tierra debe estar firmemente



## Funcionamiento (Continuación)

sujetada a una toma de tierra aprobada.

El Código Nacional de Electricidad estadounidense aprueba las siguientes tomas de tierra. Otras tomas de tierra pueden ser aceptables también. Consulte el Código Nacional de Electricidad y las reglamentaciones locales para obtener más información sobre las tomas de tierra. Si tiene dudas acerca de las reglamentaciones o los procedimientos, consiga ayuda de un electricista capacitado (licenciado o habilitado).

- Un caño subterráneo de agua de 10 pies (3 m) de longitud como mínimo.
- Un caño subterráneo no corrosivo de 8 pies (2,4 m) de longitud como mínimo y 3/4" (19 mm) de pulgada de diámetro.
- Una barra subterránea de acero o hierro de 8 pies (2,4 m) de longitud como mínimo y 5/8" (16 mm) de pulgada de diámetro.
- Una barra no ferrosa de 8 pies de longitud y 1/2" (13 mm) pulgada de diámetro como mínimo, y que ha sido aprobada como toma de tierra.

Cualquier caño o barra que se use como toma de tierra debe ser barrenado hasta ocho pies de profundidad o enterrado en una zanja tan honda como posible.

### PARA PRENDER

- Controle los niveles de aceite y gasolina.

### ESTIMACIONES DE USO DE POTENCIA (VATIOS)

Aparato de carga	Vatios	Aparato de carga	Vatios
Acondicionador de aire	2000-3000	Radio	50-200
Lavadora automática	150-1500	Heladera/Nevera	190-2000
Incubadora	100+	Sarten eléctrica	1200
Secadora	5000-10,000	Estufa	600-4800
Cafetera eléctrica	400-700	Bomba de sumidero	400-3000
Taladro eléctrico (pequeño)	225-1000	Televisor	200-500
Taladro eléctrico (grande)	500-1000	Tostadora	900-1700
Ventilador	40-200	Aspiradora	200-300
Congelador	300-500	Bomba de agua	1000-3000
Calientaplatos	330-1100	Calentador de agua	1000-5000
Plancha	500-1500	Serrucho pequeño	1000-2000
Bombilla	Según su clasificación	Serrucho grande	1500-2500

### CORDONES DE EXTENSION LONGITUD MÁXIMA RECOMENDADA (EN PIES)

Amperios	Vatios 120 V	Vatios 240 V	Cable #8	Cable #10	Cable #12	Cable #14	Cable #16
2.5	300	600		1000	600	375	250
5	600	1200		500	300	200	125
7.5	900	1800		350	200	125	100
10	1200	2400		250	150	100	50
15	1800	3600		150	100	65	
20	2400	4800	175	125	75	50	
25	3000	6000	150	100	60		
30	3600	7200	125	65			
40	4800	9600	90				

- Desconecte todas las cargas del generador.
- Ponga el interruptor de encender en ENCENDIDO.
- Ponga el interruptor de obturar/marchar en obturar.
- Tire la cuerda de arranque con un movimiento rápido y fluido.
- Ponga el interruptor de obturar/marchar en marchar.
- Después de cada arranque, deje que el motor marche por 2 o 3 minutos sin ninguna carga.

### PRECAUCION

*La velocidad del motor ha sido fijada para rendir el voltaje más apropiado. Nunca trate de modificar o ajustar la velocidad o el rendimiento del motor.*

### PARA ABLANDAR EL MOTOR

Después del arranque inicial, el motor debe ser ablandado según las instrucciones del fabricante. Consulte el manual del motor para encontrar los procedimientos para ablandar el motor correctamente.

### PARA APAGAR EL GENERADOR

- Desconecte todos los aparatos eléctricos del generador.
- Deje que el motor marche por 2 o 3 minutos sin ninguna carga.
- Ponga el interruptor de encender en APAGADO. Así parará el motor.
- Verifique que el generador se haya parado completamente.
- Deje que se enfríe el generador antes de tapanlo.

### APARATOS QUE GARGA EL GENERADOR

- La clasificación de los tomacorrientes de 120 voltios es de 15 amperios.
- La carga total que resulta del uso combinado de varios tomacorrientes no debe exceder la carga máxima indicada por la clasificación del generador.

**NOTA:** La tasa de consumo de potencia puede calcularse multiplicando voltios por amperios. El resultado es igual a la potencia en vatios.

Nunca exceda la máxima potencia en vatios indicada para el generador o cualquier tomacorriente individual. Consulte los manuales y etiquetas de los productos para determinar la potencia en vatios usada por los aparatos que carga el generador.

## Funcionamiento (Continuación)

Los cordones eléctricos largos y los cordones de extensión aumentan la tasa de consumo de potencia. Use los cordones de extensión más cortos posibles.

## Instalación Para Uso de Reserva

Debe tomar precauciones para evitar que una contracorriente de electricidad desemboque en la línea de luz. Esto requiere que aisle el sistema eléctrico. Para aislar el sistema eléctrico, observe estos procedimientos:

1. Apague el interruptor principal del sistema eléctrico antes de conectar el generador.
2. Según los requisitos nacionales y locales, una llave de transferencia bipolar debe instalarse en el sistema.

### ADVERTENCIA

**Siempre apague el interruptor principal antes de cualquier conexión temporal del generador al sistema eléctrico de un edificio.**

### ADVERTENCIA

**La instalación del generador como fuente de energía de reserva debe ser hecha por un electricista capacitado (licenciado o habilitado).**

## Mantenimiento

### USO INFRECLENTE

Si el generador se usa con poca frecuencia, puede haber dificultades en prender el motor. Para ayudar a evitar estas dificultades, debe ponerse el generador en funcionamiento por 30 minutos por semana aproximadamente.

### ALMACENAMIENTO

Si el generador no será usado por períodos largos, deben observarse los procedimientos siguientes antes de guardarlo:

1. Asegúrese de que el aceite del motor esté al nivel adecuado.
2. Drene toda la gasolina del tanque, de las líneas y del carburador.
3. Desconecte la bujía y vierta aproximadamente 1 cucharadita de aceite en el agujero de la bujía.

4. Tire el cordón de arranque varias veces para distribuir el aceite por todo el cilindro.
5. Tire el cordón de arranque lentamente hasta que sienta resistencia. Esta resistencia indica que el pistón se está moviendo hacia arriba en el ciclo de compresión y que las válvulas de admisión y de escape están cerradas. (El pistón empuja una cantidad pequeña de aire del agujero de la bujía cuando se comprime).

**Consulte el manual del motor que acompaña a este generador para leer las instrucciones relativas al mantenimiento de las partes del motor.**

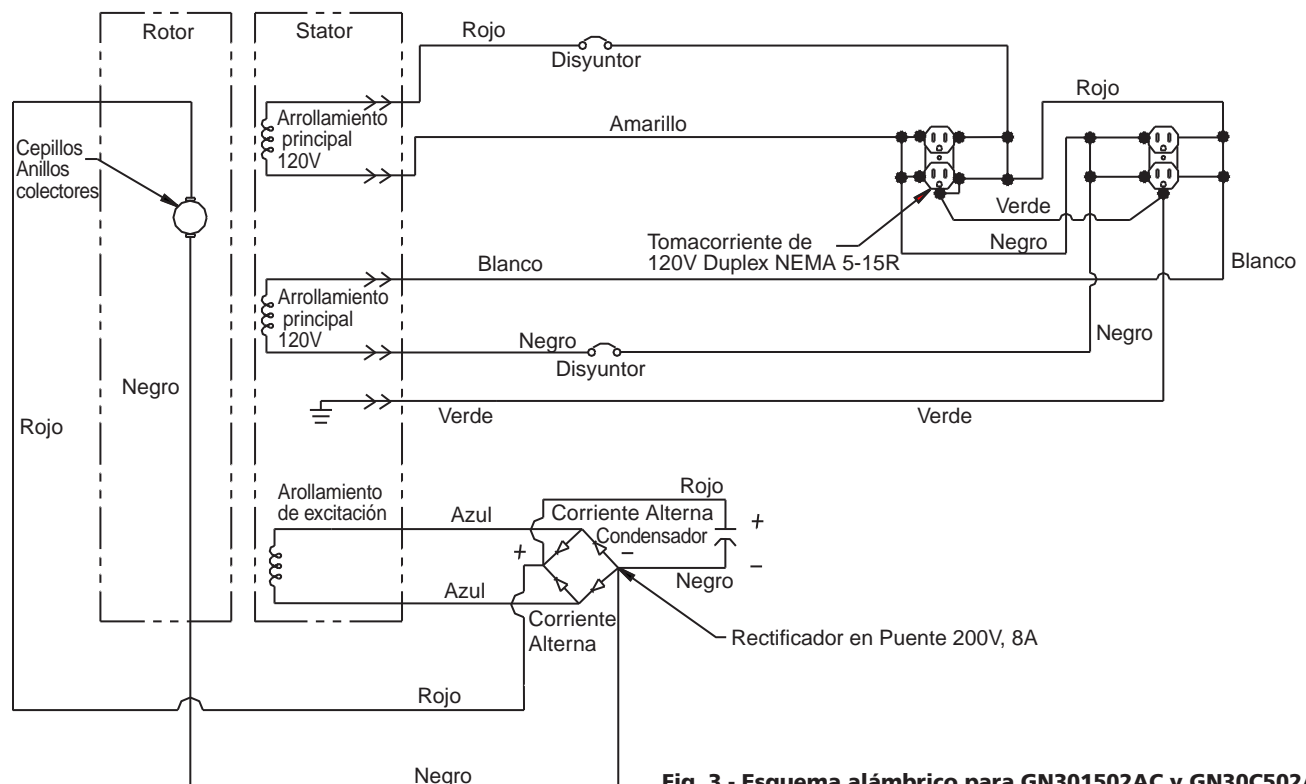


Fig. 3 - Esquema alámbrico para GN301502AC y GN30C502AC

**Guía de Diagnóstico de Averías**

Problema	Posible(s) Causa(s)	Acción a Tomar						
Cero producción de los tomacorrientes	<ol style="list-style-type: none"> <li>1. La velocidad del motor es demasiado baja</li> <li>2. Cables cortados, conectados, o en cortocircuito</li> <li>3. Falla del condensador</li> <li>4. Arrollamientos del rotor o del stator cortados o en cortocircuito</li> <li>5. Rectificador cortado</li> </ol>	<ol style="list-style-type: none"> <li>1. Ajuste la velocidad del motor *</li> <li>2. Limpie y reconecte los cables, consultando el esquema alámbrico *</li> <li>3. Reemplace el condensador *</li> <li>4. Mida la resistencia del arrollamiento, reemplácelo si es necesario*</li> <li>5. Examine el rectificador, reemplácelo si es necesario *</li> </ol>						
Baja producción de voltaje sin carga	<table border="0"> <tr> <td style="vertical-align: top; padding-right: 20px;">6 Vac o más</td> <td> <ol style="list-style-type: none"> <li>1. La velocidad del motor es demasiado baja</li> <li>2. Rectificador cortado</li> <li>3. Falla del condensador</li> <li>4. Arrollamientos del rotor o del stator cortados o en cortocircuito</li> </ol> </td> <td> <ol style="list-style-type: none"> <li>1. Ajuste la velocidad del motor *</li> <li>2. Examine el rectificador, reemplácelo si es necesario *</li> <li>3. Reemplace el condensador *</li> <li>4. Mida la resistencia del arrollamiento, reemplácelo si es necesario *</li> </ol> </td> </tr> <tr> <td style="vertical-align: top; padding-right: 20px;">Menos de 6 Vac</td> <td> <ol style="list-style-type: none"> <li>1. La cabeza de generador no está magnetizada</li> </ol> </td> <td> <ol style="list-style-type: none"> <li>1. Remagnetice cabeza de generador *</li> </ol> </td> </tr> </table>	6 Vac o más	<ol style="list-style-type: none"> <li>1. La velocidad del motor es demasiado baja</li> <li>2. Rectificador cortado</li> <li>3. Falla del condensador</li> <li>4. Arrollamientos del rotor o del stator cortados o en cortocircuito</li> </ol>	<ol style="list-style-type: none"> <li>1. Ajuste la velocidad del motor *</li> <li>2. Examine el rectificador, reemplácelo si es necesario *</li> <li>3. Reemplace el condensador *</li> <li>4. Mida la resistencia del arrollamiento, reemplácelo si es necesario *</li> </ol>	Menos de 6 Vac	<ol style="list-style-type: none"> <li>1. La cabeza de generador no está magnetizada</li> </ol>	<ol style="list-style-type: none"> <li>1. Remagnetice cabeza de generador *</li> </ol>	
6 Vac o más	<ol style="list-style-type: none"> <li>1. La velocidad del motor es demasiado baja</li> <li>2. Rectificador cortado</li> <li>3. Falla del condensador</li> <li>4. Arrollamientos del rotor o del stator cortados o en cortocircuito</li> </ol>	<ol style="list-style-type: none"> <li>1. Ajuste la velocidad del motor *</li> <li>2. Examine el rectificador, reemplácelo si es necesario *</li> <li>3. Reemplace el condensador *</li> <li>4. Mida la resistencia del arrollamiento, reemplácelo si es necesario *</li> </ol>						
Menos de 6 Vac	<ol style="list-style-type: none"> <li>1. La cabeza de generador no está magnetizada</li> </ol>	<ol style="list-style-type: none"> <li>1. Remagnetice cabeza de generador *</li> </ol>						
Alta producción de voltaje sin carga	<ol style="list-style-type: none"> <li>1. Falla del condensador</li> <li>2. La velocidad del motor es demasiado alta</li> </ol>	<ol style="list-style-type: none"> <li>1. Reemplace el condensador *</li> <li>2. Ajuste la velocidad del motor *</li> </ol>						
Baja producción de votaje con carga	<ol style="list-style-type: none"> <li>1. Rectificador cortado</li> <li>2. La velocidad del motor es demasiado baja con carga máxima</li> <li>3. Carga excesiva</li> </ol>	<ol style="list-style-type: none"> <li>1. Examine el rectificador, reemplácelo si es necesario *</li> <li>2. Ajuste la velocidad del motor *</li> <li>3. Reduzca la carga</li> </ol>						
Producción errática de voltaje	<ol style="list-style-type: none"> <li>1. Elevación súbita de tensión en el motor</li> <li>2. Conexión de cable sucia, corroída o suelta</li> <li>3. Carga desequilibrada</li> </ol>	<ol style="list-style-type: none"> <li>1. Consulte el manual del motor</li> <li>2. Limpie y reconecte los cables, consultando el esquema alámbrico *</li> <li>3. Desconecte todas las cargas, luego conecte cada una individualmente para determinar cual está produciendo el funcionamiento errático</li> </ol>						
Funcionamiento ruidoso	<ol style="list-style-type: none"> <li>1. Tuerca suelta del generador o del motor</li> <li>2. Cortocircuito en el inductor del generador o en la carga</li> <li>3. Falla de un cojinete</li> </ol>	<ol style="list-style-type: none"> <li>1. Ajuste todas las tuercas</li> <li>2. Mida las resistencia del arrollamiento, reemplace el arrollamiento inductor si es necesario* Averigüe si algún aparato de carga está en cortocircuito. Reemplace los aparatos defectuosos</li> <li>3. Reemplace el cojinete</li> </ol>						

\* Estos procedimientos de diagnóstico y de reparación deben ser hechos por un centro de servicio autorizado.

### **Garantía Limitada**

1. Duración: A partir de la fecha de compra por el comprador original como sigue: Normas (Standard Duty) - Un Año, Deber Serio (Serious Duty) - Dos Años, Deber Extremo (Extreme Duty) - Tres Años.
2. QUIEN DA ÉSTA GARANTÍA (EL GARANTIZADOR): Campbell Hausfeld / Scott Fetzer Company, 100 Production Drive, Harrison, Ohio, 45030, Teléfono: (800) 803-1436
3. QUIEN RECIBE ÉSTA GARANTÍA (EL COMPRADOR): El comprador original (con excepción para propósitos de reventa) del generador Campbell Hausfeld.
4. QUÉ PRODUCTOS CUBREN ÉSTA GARANTÍA: Cualquier generador portable Campbell Hausfeld provisto o manufacturado por El Garantizador.
5. QUÉ SE CUBRE ÉSTA GARANTÍA: Defectos substanciales en el material y mano de obra los cuales ocurren dentro del periodo de la duración de la garantía.
6. QUÉ NO CUBRE ÉSTA GARANTÍA:
  - A. Las garantías implícitas, incluyendo aquellas de comercialidad E IDONEIDAD PARA FINES PARTICULARES, ESTAN LIMITADOS A LO ESPECIFICADO EN EL PARRAFO DE DURACION. Algunos estados no permiten la limitación en cuánto tiempo dura una garantía implicada, así que las garantías antedichas pueden no aplicarse.
  - B. CUALQUIER INCIDENTE, INDIRECTO, O PÉRDIDA, CONSECUENTE DAÑOS OCOSTO ALGUNO QUE PUEDE RESULTAR DE ALGÚN DEFECTO, INCIDENTE, O MALFUNCIONAMIENTO DEL PRODUCTO CAMPBELL HAUSFELD. Algunos estados no permiten la exclusión o limitación de daños incidente o daños consecuentes, así que la limitación o exclusión arriba mencionado no se lo aplicaría.
  - C. Cualquier incidente que resulte de un accidente, daño por envío, abuso por parte del comprador, negligencia o incidente al operar productos de acuerdo con las instrucciones proporcionó en el manual(es) del propietario provisto el producto.
  - D. Servicio de Pre-salida es decir; ensamblaje, aceite o lubricantes y ajuste.
  - E. Artículos o servicio normalmente requerido para mantener el producto, lubricantes y filtros.
  - F. Motor de gasolina y componentes son expresamente excluidos de la cobertura bajo ésta garantía limitada. Tales componentes deben ser devueltos por el comprador al fabricante original o a sus estaciones autorizadas para el servicio de reparación.
7. RESPONSABILIDADES DE WARRANTOR BAJO ESTA GARANTÍA: Repare o substituya, en la opción de Warrantor, el generador o los componentes que han fallado dentro de la duración del período de la garantía.
8. RESPONSABILIDADES DEL COMPRADOR BAJO ÉSTA GARANTÍA:
  - A. Proporcione prueba fechada del expedients de compra y mantenimiento.
  - B. Entregue o envíe el generador o componente Campbell Hausfeld al Centro Autorizado de Servicio más cercano (Campbell Hausfeld). Flete los costos, si los hay, deben ser llevados por el comprador.
  - C. Utilize el uso razonable en la operación y mantenimiento del generador como se describe en el manual(es) del dueño.
9. CUANDO EL GARANTIZADOR REALIZARÁ REPAROS O REEMPLAZOS BAJO ÉSTA GARANTÍA:
  - A. El reparo o remplazo será programado y servido de acuerdo al flujo nomal de trabajo en el lugar de servicio, y dependiendo en la disponibilidad de las piasas de reemplazo.
  - B. Si El Comprador no recibe resultados satisfactorios del Centro Autorizado de Servicio El Comprador puede contactar Campbell Hausfeld (ver párrafo 2).

La garantía limitada se aplica en los EUA y el Canadá solamente y le da las derechas legales específicas. También usted podría tener otros derechos los cuales varían de estado a estado o de país a país.

## Free Manuals Download Website

<http://myh66.com>

<http://usermanuals.us>

<http://www.somanuals.com>

<http://www.4manuals.cc>

<http://www.manual-lib.com>

<http://www.404manual.com>

<http://www.luxmanual.com>

<http://aubethermostatmanual.com>

Golf course search by state

<http://golfingnear.com>

Email search by domain

<http://emailbydomain.com>

Auto manuals search

<http://auto.somanuals.com>

TV manuals search

<http://tv.somanuals.com>