

MODEL **51CV/GY**



# Owner's Guide

INTERNATIONAL SERIES™

Have a question? Need help?  
Call 1-800-CARRIER

DEALER'S NAME \_\_\_\_\_

ADDRESS \_\_\_\_\_

TELEPHONE \_\_\_\_\_ PURCHASE DATE \_\_\_\_\_

MODEL NO. \_\_\_\_\_ SERIAL NO. \_\_\_\_\_

---

# TABLE OF CONTENTS

	<u>Page No</u>
A Few Words About Your New Unit . . . . .	2
Some Suggestions . . . . .	2
Electrical Data & Specifications. . . . .	3
Glossary of Control Symbols & Operating Instructions . . . . .	4
Economic Energy Saving Tips . . . . .	6
Tools Needed for Installation . . . . .	7
Through-the-Wall Installation . . . . .	7
Window Installation . . . . .	9
Trouble Shooting Guide. . . . .	12
Unit Warranty . . . . .	14

## A FEW WORDS ABOUT YOUR NEW CARRIER UNIT . . .

Thank you for choosing Carrier! You can feel confident in your selection because the same pride in craftsmanship and engineering knowledge that goes into Carrier equipment at the Astrodome in Texas, the famous Sistine Chapel in Rome, the United States Capitol's Halls of Congress and thousands of other installations worldwide has gone into the construction of your unit.

One of the principal advantages of owning a Carrier room air conditioner with electric heat is that the unit heats AND cools, so it can be used year-round! While

cooling, your new Carrier unit also filters and dehumidifies. In cold weather, the unit gently heats and circulates air through the room. Carrier's room air conditioner with electric heat quietly gives you maximum year round comfort!

This manual will supply you with all the information you need for installing, operating and maintaining your new unit. Take a few moments to read and discover how to get the most in comfort and economic operation from your new Carrier room unit!

## SOME SUGGESTIONS . . .

**A)** To avoid installation difficulties, read instructions thoroughly before starting. This publication contains information pertinent to the installation and operation of the 51 CV/GY Room Air Conditioner with electric heat.

**B)** The 51 CV/GY is normally installed through a wall. During installation, you will remove the unit's chassis from the casing, install the casing first and then re-insert the chassis. **CAUTION: COIL FINS ON CHASSIS ARE SHARP AND CHASSIS IS HEAVY.**

**NOTE:** This unit may also be installed in a window. An additional accessory kit must be ordered separately for window mounting. Contact your independent Carrier Dealer, or call 1-800-CARRIER for information.

**C)** When possible, install unit on a shaded side of the house or building.

**D)** Make sure that wall mounting area (or window, if window-installation is chosen) is structurally sound enough to support the unit.

## BEFORE YOU START

Use the following guide to ensure you have selected the air conditioning unit that will properly cool the space you desire. This guide is developed for normal room insulation, number of windows, and sun exposure, with two people occupying the conditioned space.

Adjust the room air conditioner capacity found in the table for the following conditions.

1. Reduce capacity by 10% for heavily shaded areas.
2. Increase capacity by 10% for very sunny areas.
3. Add 600 Btuh for each additional person (more than two people)
4. Add 4,000 Btuh if area to be cooled is a kitchen.

Area To Be Cooled Square Feet (Length x Width, Ft.)	Approximate Nominal Cooling Capacity Btuh
100-150	5,000
150-250	6,000
250-300	7,000
300-350	8,000
350-400	9,000
400-450	10,000
450-550	12,000
550-700	14,000
700-1,000	18,000
1,000-1,200	21,000
1,200-1,400	23,000
1,400-1,500	24,000
1,500-2,000	30,000
2,000-2,500	34,000

# ELECTRICAL DATA . . .

**A)** All wiring must comply with local and national electrical codes. All wiring must be installed by qualified and skilled electricians. If you have any questions regarding the following instructions, contact a qualified electrician.

**B)** Check available power supply and resolve any household wiring problems **BEFORE** installing and operating this unit.

**C)** An individual branch circuit and single wall receptacle used only for this appliance, is required. See Table 1 for suggested wire sizes for individual branch circuit.

**D)** For your safety and protection, this unit is grounded through the service cord plug when plugged into a matching wall outlet. **If you have any question whether your wall outlet is grounded or not please consult a qualified electrician.**

**E)** The wall outlet you select must match the plug on the unit's service cord and must be within reach of the installed unit. **Do NOT use adaptors or extension cords. See Table 2 for further receptacle and fuse information.**






**F)** Follow fuse specifications indicated on unit's nameplate. See Table 2. Nameplate is located above unit's control panel (refer to diagram in Step 7 of Window Installation Steps). **NOTE:** Unit's model and serial numbers can be found on the nameplate. Record numbers on the front of this manual for future reference.

**TABLE 1**  
**SUGGESTED INDIVIDUAL BRANCH CIRCUIT**

NAMEPLATE AMPS	AWG WIRE SIZE*
5.0 to 12	14
12.1 to 16	12
16.1 to 24	10

AWG—American Wire Gauge  
\*Based on copper wire at 60°C temperature rating

**TABLE 2**  
**RECEPTACLES AND FUSE TYPE**

RATED VOLTS AMPS	125		250		30
	15	20	15	20	
					
FUSE SIZE	15	20*	15	20*	30
TIME DELAY FUSE (or Circuit Breaker)	Plug	Plug	Cartridge		

\*May be used for 15-amp applications if fused for 15 amp

## CAUTIONS:

Manufacturer strongly recommends using two people during installation of units.

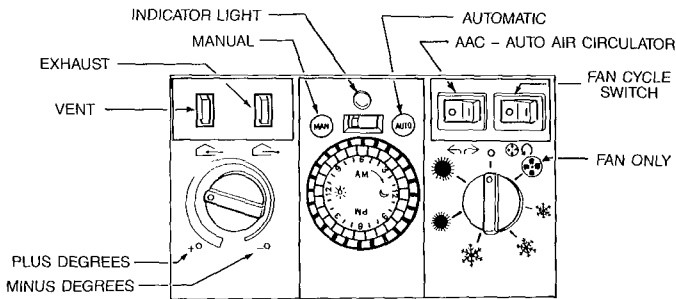
Coil fins on chassis are sharp and chassis is heavy.

**Please keep this manual handy for future reference.**

**Please note:** In the summer; condensation (water) run-off out the unit's back is normal during cooling operation under high humidity weather conditions. In the winter; the unit is designed with a drain located in the basepan to open at approximately 50°F to minimize formation of ice in the basepan during heating operation. Unit should be installed where condensation run-off will not drip on pedestrians or neighboring properties. In addition it may be necessary to re-direct drainage flow in the winter to prevent possible build-up of ice on pedestrian walkways. To re-direct drainage flow, an Accessory External Drain Kit is available. Contact your independent Carrier Dealer or call 1-800-CARRIER for information.

# GLOSSARY OF CONTROL SYMBOLS . . .

## OPERATING INSTRUCTIONS



### INDICATOR LIGHT



Amber indicator light is on when unit is in operation. Indicator light will NOT be on if unit has cycled off due to a command from the timer control. In such a case, unit will only be off for the time period set.

### OFF



OFF symbol on cooling/heating mode control dial is the unit's OFF position. When dial is turned to this symbol, unit will NOT operate, in either manual or automatic setting.

When leaving your home or office for a period of time during which you do not wish the unit to cycle on for an automatic setting, be sure cooling/heating mode dial is set to OFF position.

If you turn unit off, allow two minutes before turning unit back on.

### MANUAL START



Slide switch above timer to MAN setting to operate unit manually, turning timer off. Set thermostat and cooling/heating mode dials to desired settings.

### FAN ONLY



Set cooling/heating mode control dial to fan symbol. This will produce air at the low fan speed WITHOUT cooling/heating.

When switching to FAN ONLY, allow two minutes before switching unit back to cooling.

### LOW MEDIUM HIGH COOL

Choose the cooling setting you want simply by rotating dial to appropriate size snowflake symbol.

Use the following as a guide for choosing cooling setting:

**Low Cool:** Recommended for nighttime use.

**Medium Cool:** Recommended during mid-morning and early evening hours when outside temperature is lower.

**High Cool:** Provides maximum cooling. Recommended for quick cooling or for extremely hot days. Once room is cooled, manufacturer suggests switching to a lower cooling setting.

### LOW HEAT HIGH HEAT

Choose the heat setting you want simply by turning mode control dial to the appropriate size sun symbol.

Use the following as a guide for choosing heating setting:

**Low Heat:** Recommended for mildly chilly days and for nighttime use.

**High Heat:** Provides maximum heating. Recommended for sudden temperature drops and extended heating needs.

### THERMOSTAT



Set dial between + (warmer) and - (cooler) symbols to obtain desired comfort level. This dial has no effect on fan speed.

### AUTOMATIC OPERATION

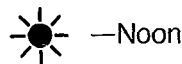


Your Carrier unit has a timer that allows pre-setting of on and off times. Set unit to turn on and cool or heat your home or office before you arrive. Set unit to automatically turn off after you leave.

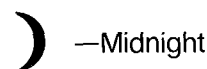
NOTE: Timer must be reset after power failures or interruptions.

### SET TIMER TO TIME OF DAY

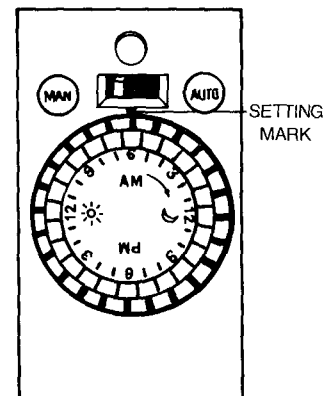
Rotate timer dial clockwise until current time of day lines up with the setting mark on flat surface behind dial.



—Noon



—Midnight



Timer pins are positioned inwards (toward center of dial) from factory to allow continuous operation.

### SETTING THE TIMER FOR AUTOMATIC ON/OFF OPERATION

To set the timer, simply slide a pin outward from the dial's center for each hour (approximately) that you wish the unit to be off.

**COOLING EXAMPLE:** You work days 8-4 and want the unit off while you are at work, and cooling your room when you arrive home at 5:00 p.m.

- 1) Slide the pins beginning at 8:00 a.m. through 3:00 p.m. on the dial, away from the center.
- 2) Switch the timer to AUTO setting.

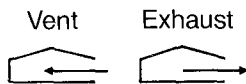
Now the unit will automatically turn off at 8:00 a.m. and start at 4:00 p.m. (an hour before you return home so that the room where your unit is installed is cool and refreshing).

**You can program the timer similarly for the heating operation.**

**NOTE:** If timer's switch is on MAN, timer setting will be overridden and the unit will run continuously. You may adjust the cooling or heating speed while unit is on AUTO, without changing your timer's setting.

The timer can be programmed to turn off and on, one or more times during 24-hour period.

### AIR EXCHANGE



Your Carrier unit is equipped with vent and exhaust air exchange systems. Use the following guide when choosing the appropriate system:

**Vent:** Draws outside air into the room.

**Exhaust:** Expels stale, smoky or odor laden air from the room to the outside.

For either system operation, push appropriate button and turn cooling/heating mode dial to FAN ONLY setting.

When air exchange is completed, return to normal cooling or heating by pushing vent or exhaust button again and rotating mode dial from FAN ONLY to desired setting.

**NOTE:** Vent and exhaust usage is not recommended during cooling or heating as these operations either vent outside air into the room, or exhaust cooled or heated air out.

**REMEMBER:** Button pushed in opens vent or exhaust system. Button pushed out closes vent or exhaust system.

### AIR DIRECTION

Your 51 CV/GY unit has an Auto Air Circulator control feature, allowing vertical air deflectors to move automatically from left to right for better air distribution around the room. For straight forward air discharge, vertical air deflectors may be adjusted manually (with auto air circulator switch in OFF position). The horizontal air deflectors are also adjusted manually.

### FAN CYCLE OFF— ON—

- I — This setting lets fan cycle on and off with compressor or electric heater. Fan stops when thermostat setting is satisfied. This mode is recommended for maximum comfort during heating operations, to eliminate circulation of unheated room air by the unit. When used in cooling, this mode results in longer off time and wider variations in temperature and humidity.
- O — This setting allows continuous fan function, circulating air even when compressor or heater has cycled off and thermostat setting has been reached. This mode is recommended for maximum comfort during cooling operation.

### Important HEAT/COOL Feature:

**Drain Valve:** Your unit has a thermostatically operated drain valve located in its basepan. Valve remains closed in warm weather, channeling condensate to outdoor coil to increase cooling efficiency. In cooler weather (50°F or lower), valve automatically opens, draining condensate and preventing possible ice build-up in basepan. It may be necessary to re-direct drainage flow in the winter to prevent possible build-up of ice on pedestrian walkways. To re-direct drainage flow, an Accessory External Drain Kit is available. Contact your independent Carrier Dealer or call 1-800-CARRIER for information.

---

# ECONOMIC ENERGY SAVING TIPS

Select thermostat setting that suits your comfort needs and leave thermostat at that chosen setting.

Keep unit's filter clean. Normally filter should be cleaned every 30 days. Filter is very efficient in removing airborne particles. More frequent cleaning may be necessary depending on outside and inside air quality. To remove filter: grasp filter tab at bottom of front grille and pull down and out. Filter may be vacuumed or washed by hand in warm water. Dry thoroughly and replace filter by sliding it upward behind front grille.

Use drapes, curtains, shades, etc. to keep direct sunlight from heating room.

Do not obstruct front of unit.

Use built-in timer to turn unit on just before you return, rather than running unit while you are out.

When outdoor temperatures are cool enough, use fan control in conjunction with vent control to bring cool outside air into room. This utilizes much less electricity. **REMEMBER:** Maximum cooling and heating efficiency is achieved when vent and exhaust systems are off.

Check to make sure vent and exhaust controls are not on while unit is cooling room. Buttons pushed out close the vent and exhaust systems.

Your Carrier unit is designed to be highly efficient in energy savings. Follow the above recommendations for even greater efficiency.

# THROUGH-THE-WALL INSTALLATION STEPS

The 51 CV/GY is normally installed through a wall. During installation, you will remove the unit's chassis from the casing, install the casing first and then re-insert the chassis. To slide out chassis, you must first loosen the chassis security screw.

**CAUTION: COIL FINS ON CHASSIS ARE SHARP AND CHASSIS IS HEAVY.**

**NOTE:** This unit may also be installed in a window. An additional accessory kit must be ordered separately for window mounting. Contact your independent Carrier Dealer, or call 1-800-CARRIER for information, and refer to page 9 for Window Installation Steps.

## Two people recommended for installation.

Use Steps 1 through 8 from Window Installation instructions (page 9) to prepare chassis and casing for wall installation.

Standard construction and masonry tools are needed for through-the-wall installation. This will include at least the following:

**Screwdrivers—Both Phillips and regular head types**

**Power drill (1/8" dia. drill bit)**

**Pencil**

**Measuring Tape**

**Scissors or a razor-edged knife**

**1** Cut opening in wall for insertion of unit's casing. Finished wall opening must be at least 1/4 inch larger than unit's casing on all sides. See casing dimensions below.

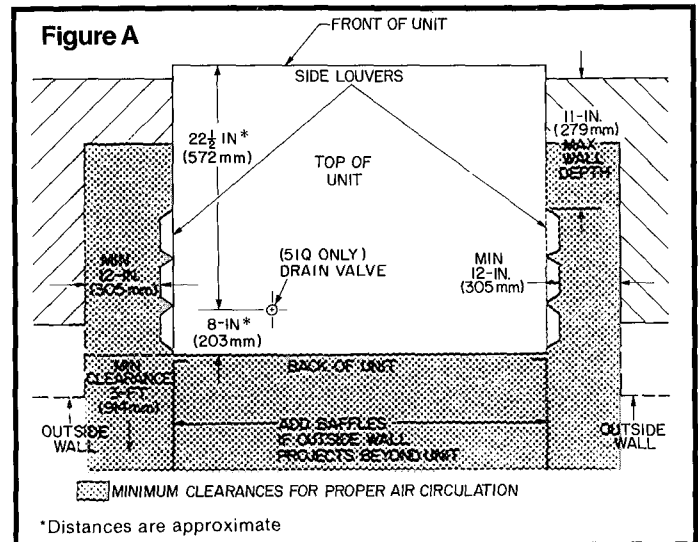
51 CV - W (24 7/16") x H (15 9/16") x D (27 5/16")  
51 GY - W (26") x H (17 9/16") x D (28 1/16")

## NOTES

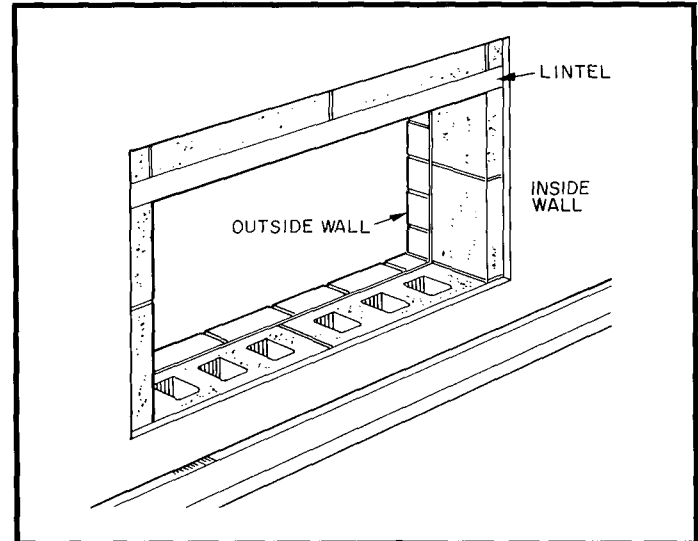
*Through-the-Wall Installation of the air conditioner unit is possible in wood framing or masonry wall, using unit's casing as a sleeve. Installation should be level as unit has a built-in pitch for draining condensation.*

*Good framing construction practices must be used to ensure a properly installed unit.*

**Note:** If wall thickness obstructs unit's side vents, make wall opening wider as shown in Figure A. Allow for condensate drainage from thermostatic drain valve located in basepan. If outside wall projects beyond back of unit, use baffles on casing's rear corners. See Figure A for minimum dimension requirements and placement of baffles.



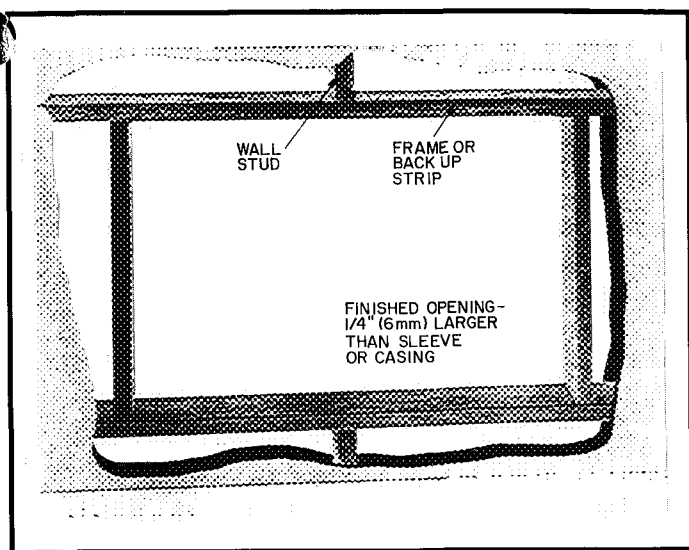
**For Masonry Framing:** Use lintel to support upper wall and mounting angles if desired. If mounting angles are used, you may choose to use a plaster coating or decorative molding to cover exposed angles.\*1



\*1 To prevent a possible air leakage path, seal the hole in the bottom of the casing near the front of the unit.



- 2** For Wood Framing: Provide a wooden framing support for fastening casing in wall opening.



- 3** With a pencil, mark location of screw holes to be drilled through each side of casing to fasten it in wall opening. **NOTE:** If existing holes in casing will suffice for attachment to framing, additional drilled holes may not be required. Be sure to seal any unused holes in this area. Make sure unit is level.\*2

- 4** If needed, drill 2 or 3 screw holes (spaced as needed, depending on construction frame used) for each side of casing.

- 5** Paint or apply silicone on edges of drilled holes to protect against corrosion.

- 6** Fasten casing in wall opening using masonry or wood screws, anchors, mounting angles or expansion shields as needed (depending on type of construction frame used).

- 7** Recheck pitch of unit for level installation.\*3

- 8** Using 2 people, lift chassis and re-insert into casing installed in wall opening. See steps 28 through 32 under Window Installation. Follow same procedures for Through-the-Wall Installation. **CAUTION:** Coil fins on chassis are sharp and chassis is heavy.

- 9** Finish exterior and interior of wall opening surrounding installed unit. Grouting, caulking or flashing may be used for sealing and weather-proofing exterior.\*4

- 10** Plug in unit and slide excess cord into cord storage opening.

\*2 Front of unit casing must project at least 1/2 inch into room to assure proper fit of grille casing on unit's front.

\*3 When casing is installed, using proper installation steps, unit is properly pitched towards the outdoors to allow for condensation run-off. An Accessory External Drain Kit is available to route excess unit condensation away from building exterior. If unit is installed where condensate drainage will drip onto pedestrians or neighboring properties, contact your independent Carrier Dealer, or call 1-800-CARRIER to order the External Drain Kit.

\*4 Be sure to weatherproof exterior area around the wall-installed unit, and finish surrounding interior walls.

# WINDOW INSTALLATION STEPS

## TOOLS YOU WILL NEED FOR INSTALLATION

Screwdrivers—Both Phillips and regular head types

Power drill (1/8" dia. drill bit)

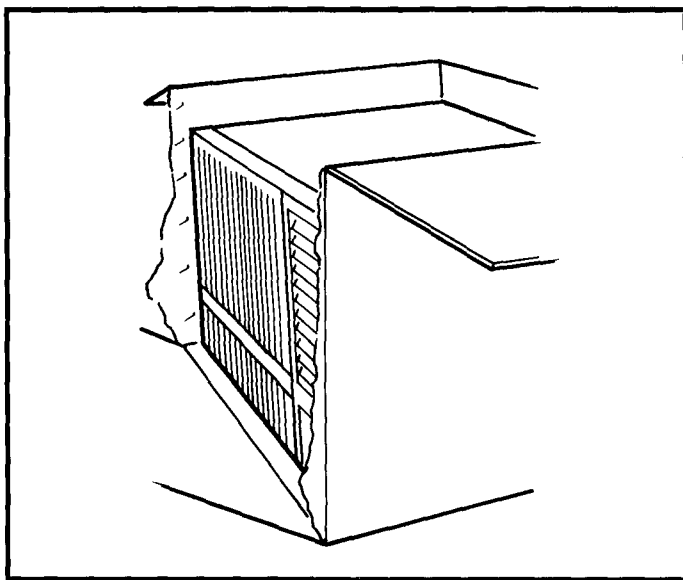
Pencil

Measuring Tape

Scissors or a razor-edged knife

**NOTE:** To install your room air conditioner in a double-hung window, contact your independent Carrier Dealer for an Accessory Window Installation Kit.

- 1** Remove air conditioner from box by breaking away sides of box (cutting box could result in damage to unit).<sup>\*1</sup>



- 2** Place unit on stable surface for remainder of steps.

### NOTES

*PRIOR to installation, plug in unit and verify operation. Refer to operating instructions. Some clicking and gurgling sounds are normal during unit operation. If you received a damaged or non-functioning unit, contact your dealer. If storm window is present, see Step 10 before starting.*

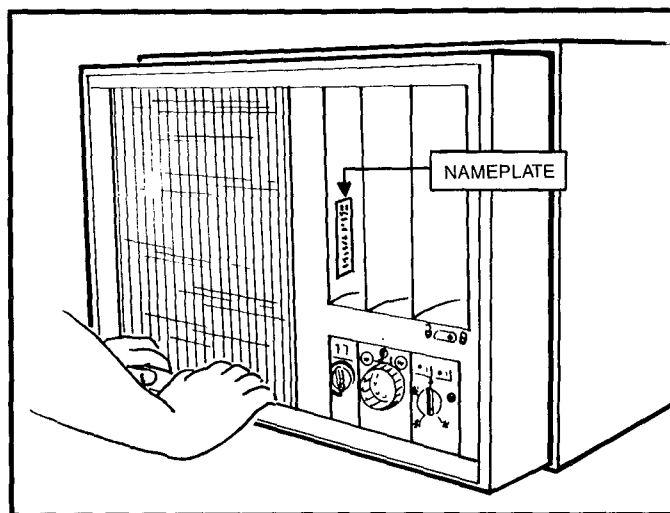
<sup>\*1</sup> Two people recommended for installation.

- 3** Remove two shipping screws at bottom of casing's rear panel.

- 4** Remove front grille with filter.

- 5** Remove securing screws and lift grille frame off chassis and away from casing.

- 6** Loosen chassis security screw, located above control panel, and slide to unlocked position.<sup>\*2</sup>



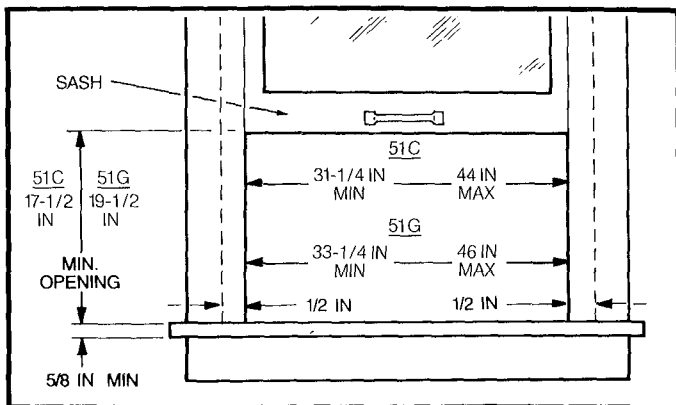
- 7** While one person holds back of casing, second person slides chassis out from casing. **NOTE:** Coil fins on chassis are sharp and chassis is heavy.

- 8** Place casing and chassis aside while preparing window for installation.

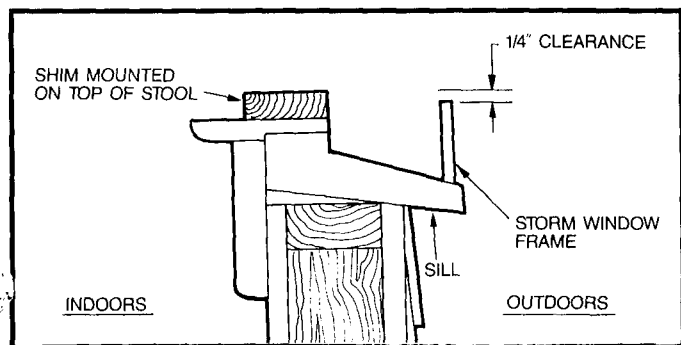
- 9** Remove bottom track from Accessory Window Installation Kit.

<sup>\*2</sup> Unit has slide-out chassis design with easy access for service or maintenance needs. A special locking screw secures the slide-out chassis to prevent unit from being forced out through the casing to the house, thus preventing an intruder from gaining entry from the outside.

- 10** Measure center of window on sash and sill. Make a small pencil mark to indicate spot. Raise sash. Position bottom track on sill lining up with center mark.\*3



For storm window installations.



If storm windows present interference, fasten a 2" wide wood strip to window's sill. Thickness of wood strip should equal height of storm window's ledge. By inserting wood strip, you will create a level surface for unit installation.

- 11** Make pencil marks through all holes in bottom track while track is positioned on window sill.
- 12** Remove track and drill three holes in window sill at marked spots.

\*3 If your window width exceeds our maximum recommendation, then your unit will require additional support.

- 13** Screw track onto sill using 3 **short** screws.
- 14** Slide wing panels from unit mounting kit into kit's upper guide, with drain holes on bottom of wing panels facing outward for condensation run-off.
- 15** Slip lower portion of connected wing panels into bottom track now on sill.
- 16** Stretch wing panels out on both sides to meet window frame.
- 17** Lower window sash onto upper guide.
- 18** With sash firmly down upon upper guide, make a pencil mark on lowered window sash through center hole on upper guide.
- 19** Drill hole at mark and insert provided **short** screw. **DO NOT** completely tighten screw.
- 20** Move accordion folds aside to reveal holes on sides of wing panels. Use previous marking technique (Step 11) and drill holes in pencil marked spots. Secure wing panels in sash tracks by inserting **long** screws in drilled holes and tightening.
- 21** Remove paper backing from narrow seal strip in unit accessory mounting kit and fasten strip to top of casing, aligning with pre-drilled holes in casing. Fasten top channel to top of casing using 4 screws, inserted upwards from inside casing.

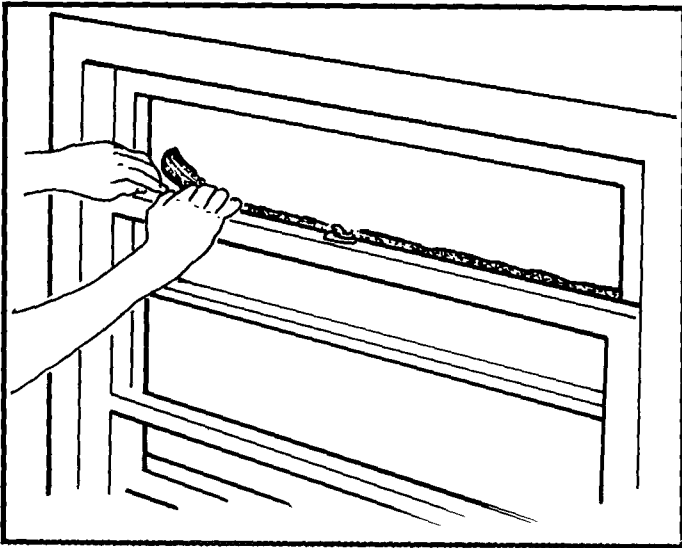
**22** Remove screw inserted through center hole of upper guide in Step 19. This allows for freedom of movement in future steps. **DO NOT RAISE SASH.**\*4

**23** Insert casing (without chassis) into framework now secured in window. Push casing outward, until bottom slides up and over bend in lower track and casing's top channel rests against upper guide of wing panel assembly.

**24** Make pencil mark through center hole in bottom of casing. Drill hole into window sill at spot. Screw casing to window sill.

**25** Align center hole in top channel of casing with center hole in upper guide and previously drilled hole in sash. Replace and fasten screw removed in Step 22. **TIGHTEN SECURELY.**

**26** Cut foam window seal from unit accessory mounting kit to fit window width. Insert foam down between top of raised lower sash and glass panes of upper sash making sure of a firm fit to provide an air seal. This also prevents insects from gaining entrance.



\*4 When casing is installed in window, using proper installation steps, unit is properly pitched towards the outdoors to allow for condensation run-off. An Accessory External Drain Kit is available to route excess unit condensation away from building exterior. Contact your independent Carrier Dealer, or call 1-800-CARRIER to order kit.

**27** Expand accordion folds to meet sides of installed casing. Screw accordion side panels to casing sides through pre-made screw openings in panels. Be sure to use all 3 screw openings to prevent air seepage.

**28** With one person on each side, lift chassis and slide into casing in window. Slide in chassis all the way.

**29** With chassis back in casing, slide security screw to locked position and tighten. Refer to Step 6.\*2

**30** Replace grille frame on front of unit and fasten securing screws removed in Step 5.

**31** Replace grille insert removed in Step 4.

**32** Plug in unit, slide excess cord into cord storage opening.\*5

\*5 Unit is designed with power cord extending from right side of control panel. If wall socket is located on left side of unit, unit can be modified for power cord to exit on left side of unit. Remove grille (Step 4). Remove grille frame (Step 5). Gently slide off control panel knobs. Remove screws holding control panel in place and remove panel. Route power cord over to left side along front-bottom edge of unit. Use pliers to snap out pre-scored plastic exit section in lower left corner of grille frame. Replace control panel and screws, control knobs, grille frame and screws, and grille. Make sure power cord fits snugly and properly exits left corner of frame.

---

---

# TROUBLE SHOOTING GUIDE

If you have problems with your room air conditioner,  
check this convenient guide before contacting your service representative.

## POSSIBLE CAUSES

## SOLUTIONS

---

### UNIT DOES NOT START

- Unit may have come unplugged.
- Fuse may have blown.
- Circuit breaker may have been tripped.
- Unit may have been left on AUTO.

- Check that unit is securely plugged into wall socket.
- Replace the fuse.\*
- Reset circuit breaker.\*
- Switch into MANUAL mode.

### UNIT IS NOT COOLING/HEATING ROOM

- Unit's air output is blocked.
- Temperature setting not high or low enough.
- Dirty air filter.
- Room very hot or cold when unit is started.

- Remove any curtains, blinds or furniture that may be blocking unit's output.
- Reset unit to a lower or higher temperature setting.
- Remove and clean filter.
- Allow sufficient amount of time for unit to heat or cool room. Use timer to start cooling early before outside temperature, cooking heat or gatherings of people make room hot and uncomfortable.
- Close exhaust or vent.

- Exhaust or vent left open.

### UNIT MAKING NOISES

- Clicking, gurgling and whooshing noises are normal during operation of the unit.

### WATER DRIPPING OUTSIDE

- Condensation run-off during very hot and humid weather is normal.\*\*

- Units with heat feature a thermostatically operated drain valve in the basepan. The valve automatically opens to drain condensate. In the case of unusual water drippage, check to make sure drain valve is not blocked.

### WATER DRIPPING INSIDE

- Unit not installed level.

- Unit must be installed level for proper run-off of condensation. Check that installation is level and make any necessary adjustments.

### ICE OR FROST FORMS ON COIL

- Low outside temperature.
- Dirty filter

- When outdoor temperature is approximately 55°F or below, frost may form when unit is in cooling mode. Switch unit to FAN operation until ice or frost melts.
- Remove and clean filter.

---

\* If circuit breaker is tripped repeatedly, or fuse is blown more than once, contact a qualified electrician.

\*\* When casing is installed using proper installation steps, unit is properly pitched toward the outdoors to allow for condensation run-off. An Accessory External Drain Kit is available to route excess unit condensation away from building exterior. If unit is installed where condensate drainage will drip onto pedestrians or neighboring property, contact your independent Carrier Dealer, or call 1-800-CARRIER to order the External Drain Kit.

---

## NOTES

# Carrier Room Air Conditioner Warranty



**FULL ONE-YEAR WARRANTY** — During the first year after original date of purchase, Carrier will, through its authorized independent servicing dealers or service stations\* and free of charge to the end user or subsequent user, repair or replace any part which is defective in material or workmanship

**LIMITED TWO- TO FIVE-YEAR WARRANTY** — During the 2nd through 5th years after date of original purchase, Carrier will, through its authorized servicing dealers and service stations\*, repair or replace any part which is defective in material or workmanship. This warranty includes a fixed labor allowance for repair or replacement of the defective part, BUT DOES NOT INCLUDE an allowance for labor or other costs incurred in diagnosing the defect, pick-up or delivery of the product, or transportation or handling related to the defective part or replacement part. ALL IMPLIED WARRANTIES HEREUNDER (INCLUDING THE IMPLIED WARRANTIES OF MERCHANTABILITY AND FITNESS FOR PURPOSE) ARE LIMITED IN DURATION TO THE PERIOD FOR WHICH THE EXPRESS WARRANTY IS GIVEN. Some states do not allow limitations on how long an implied warranty lasts, so the above limitation may not apply to you.

**LIMITATION OF EXPRESS WARRANTIES** — THE EXPRESS WARRANTIES MADE IN THIS WARRANTY CERTIFICATE ARE EXCLUSIVE AND MAY NOT BE ALTERED, ENLARGED, OR CHANGED BY ANY DISTRIBUTOR, DEALER OR OTHER PERSON WHATSOEVER.

All work under the terms of this warranty are to be performed during normal working hours. Any replacement part assumes the unused portion of this warranty. The replacement part can be a new or remanufactured part as provided at Carrier's sole option.

**CARRIER WILL NOT BE RESPONSIBLE FOR:**

- 1 Normal maintenance or service, including cleaning of condenser or evaporator coil, cleaning or replacement of air filter, replacement of blown fuses, or repair of loose connections or defects in house wiring
- 2 Use or installation of products other than as outlined in the owner's manual, including failure to connect to a grounded power supply of sufficient voltage
- 3 Damage to finish after purchase
- 4 Damage or repairs needed as a consequence of faulty installation or misapplication, abuse, unauthorized alteration, improper servicing or operation
- 5 Damage as a result of floods, winds, fires, lightning, accidents, corrosive atmosphere or other conditions beyond the control of Carrier
- 6 Any parts not supplied or designated by Carrier
- 7 Product installed outside the continental USA, Alaska, Hawaii and Canada
- 8 Shipping damage or damage as a result of transporting the unit
- 9 ANY SPECIAL, INDIRECT OR CONSEQUENTIAL PROPERTY OR COMMERCIAL DAMAGE OF ANY NATURE WHATSOEVER. Some states do not allow the exclusion of incidental or consequential damages, so the above limitation may not apply to you.

NOTE: Service and maintenance items excluded under this warranty certificate may be covered by a service agreement through the seller at time of purchase. \*Authorized independent dealers or service stations are registered with Carrier Corporation through its distributor organization.

Form No. 530-018 (Rev. 5/90)

This warranty gives you specific rights, and you may also have other rights which vary from state to state.

## IF YOUR AIR CONDITIONER DOES NOT WORK, FOLLOW THESE STEPS IN ORDER:



1 **CHECK THE THINGS YOU CAN DO YOURSELF** These include being sure the air conditioner is plugged in firmly in an appropriate receptacle, checking the fuse or circuit breaker and insuring its replacement or resetting, if necessary, and rereading the instruction book to insure that all controls are set properly. By doing this you can save money. Many unnecessary service calls result in the serviceman doing what the owner can do for him or herself.

2 **CONTACT YOUR DEALER OR THE CARRIER AUTHORIZED SERVICE CENTER** You may find his name on the product, on your invoice or in your Homeowner's Packet.

3 **CONTACT THE NEAREST CARRIER DISTRIBUTOR SERVING YOUR AREA.** (See Telephone Yellow Pages.)

4 **CONTACT CARRIER IF A SATISFACTORY SOLUTION IS NOT REACHED IN STEPS 2 AND 3.**

Carrier Air Conditioning  
Consumer Relations Department  
P O Box 4808  
Syracuse, New York 13221  
Telephone 1-800-CARRIER (227-7437)  
From Canada: 1-315-432-7885

Unit Model No \_\_\_\_\_

Unit Serial No \_\_\_\_\_

Date of Installation \_\_\_\_\_

Installed By \_\_\_\_\_

Name of Owner \_\_\_\_\_

Address of Installation \_\_\_\_\_



**WE AREN'T COMFORTABLE  
UNTIL YOU ARE**

---

*Manufacturer reserves the right to discontinue, or change at any time, specifications or designs without notice and without incurring obligations*

Book	1	4
Tab	8a	10a

PC 131

Catalog No 565-153

Printed in U S A

Form No 51CV,GY-2SI

5/90

Replaces: 51CV,GY-1SI



## Free Manuals Download Website

<http://myh66.com>

<http://usermanuals.us>

<http://www.somanuals.com>

<http://www.4manuals.cc>

<http://www.manual-lib.com>

<http://www.404manual.com>

<http://www.luxmanual.com>

<http://aubethermostatmanual.com>

Golf course search by state

<http://golfingnear.com>

Email search by domain

<http://emailbydomain.com>

Auto manuals search

<http://auto.somanuals.com>

TV manuals search

<http://tv.somanuals.com>