

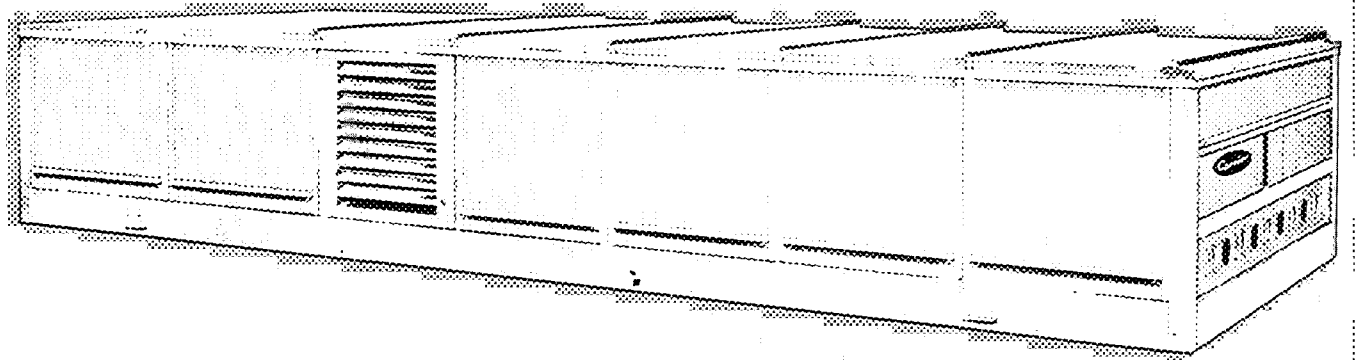
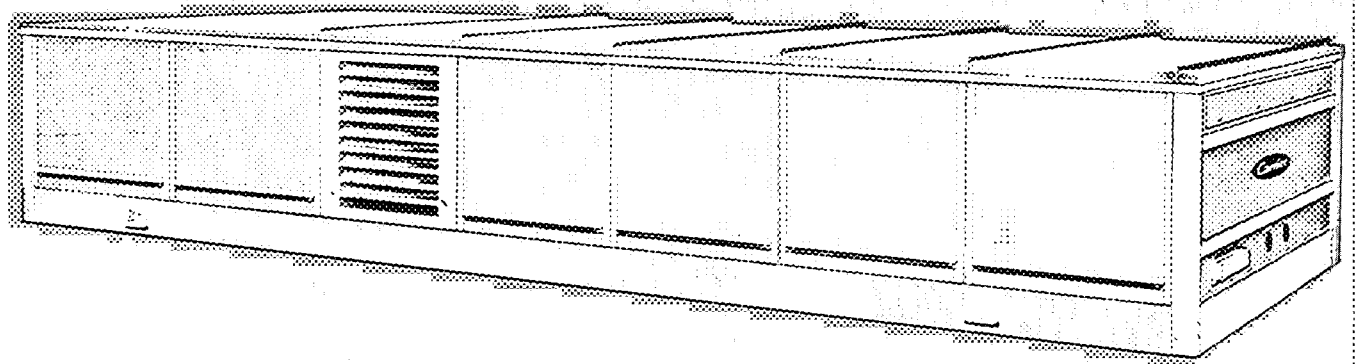
# Carrier Zone-Mizer™ Modular Multizone Heating/Cooling Units

## 48MA/50ME

Electric Cooling 180,000 to 360,000 Btuh  
Electric Heating 180,000 to 540,000 Btuh  
Hot Water/Glycol Heating 160,000 to 800,000 Btuh  
Gas Heating 480,000 to 720,000 Btuh



...an energy saving design  
that solves a damper problem, too



### Rooftop installations for

- Schools
- Office buildings
- Commercial buildings



# No hot decks. . .no cold decks. . . no zoning dampers. . .no energy waste!

It's what you **don't** get with Carrier's Zone-Mizer Modular Multizone unit that sets it apart from all the others.

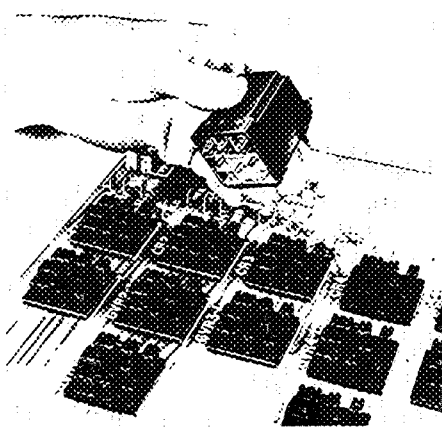
You don't get hot decks or cold decks because the Carrier design gives each zone module its own cooling coil and heating section. Each zone module operates independently. One unit can heat, cool, dehumidify, reheat, and ventilate up to 12 different zones simultaneously. All this means real energy savings. . .there's no wasteful duplication of effort as in hot deck/cold deck units. For still more energy savings, Zone-Mizer provides up to 3 steps of electric heat or gas heat with an intermittent pilot ignition in every zone.

Something else you don't get. . . zoning dampers. Since the Carrier design doesn't have hot and cold decks, it doesn't need zoning dampers. By eliminating them from the picture, you eliminate the adjustments, service, and operating problems that go along with zoning dampers.

Five sizes, offering capacities to 37 tons, provide equipment flexibility and economy. One large unit may serve where 2 units were required before; or units of different sizes may be mix/matched to deliver the heating/cooling capacity required in a specific application. And the choice of gas, electric or hot water/glycol coils allows you to select a unit that can deliver maximum operating economy and convenience by taking advantage of an already available heating plant or favorable area fuel rates.

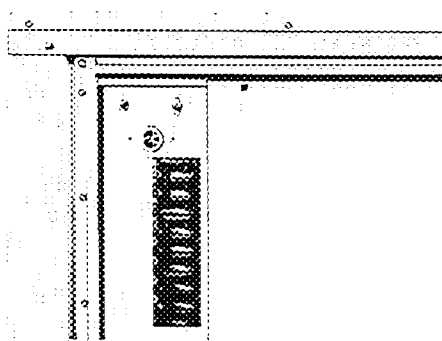
When specifying a multizone unit, choose the one that makes a point of doing something about installation problems. . .the Carrier Zone-Mizer Modular Multizone. It's a sturdy, one-piece unit — factory-wired, piped, and charged. It arrives ready to be set in place on the specially designed roof curb. Make the power and control connections and that's it. Initial adjustments are trouble free — you won't even need a factory engineer at start-up. The total package carries the UL label or is design certified by AGA.

## Zone-Mizer™ Modular Multizone standard features



1 **Etched solid copper circuit panels** have interchangeable plug-in relays to minimize parts stocking. Circuit breakers that may be used as disconnect switches, terminal boards to simplify installation of accessories, a control circuit shutoff switch and 24-volt controls are all standard.

2 **Motorized outdoor air inlet damper** — A simple rheostat adjustment on the unit (or on the optional remote control panel) sets the damper to control the amount of outdoor air admitted.



3 **Fused 115-volt convenience outlet** in the control box provides power at the unit for work lights and small power tools.

4 **Motormaster® solid-state condenser fan speed control** permits year-round operation of refrigeration system down to -20F ambient.



5 **Dependable cooling** — Each serviceable hermetic compressor system has cylinder unloaders for capacity control and electric power savings. Crankcase heaters, accumulators, filter driers and low-ambient starting controls are also standard.

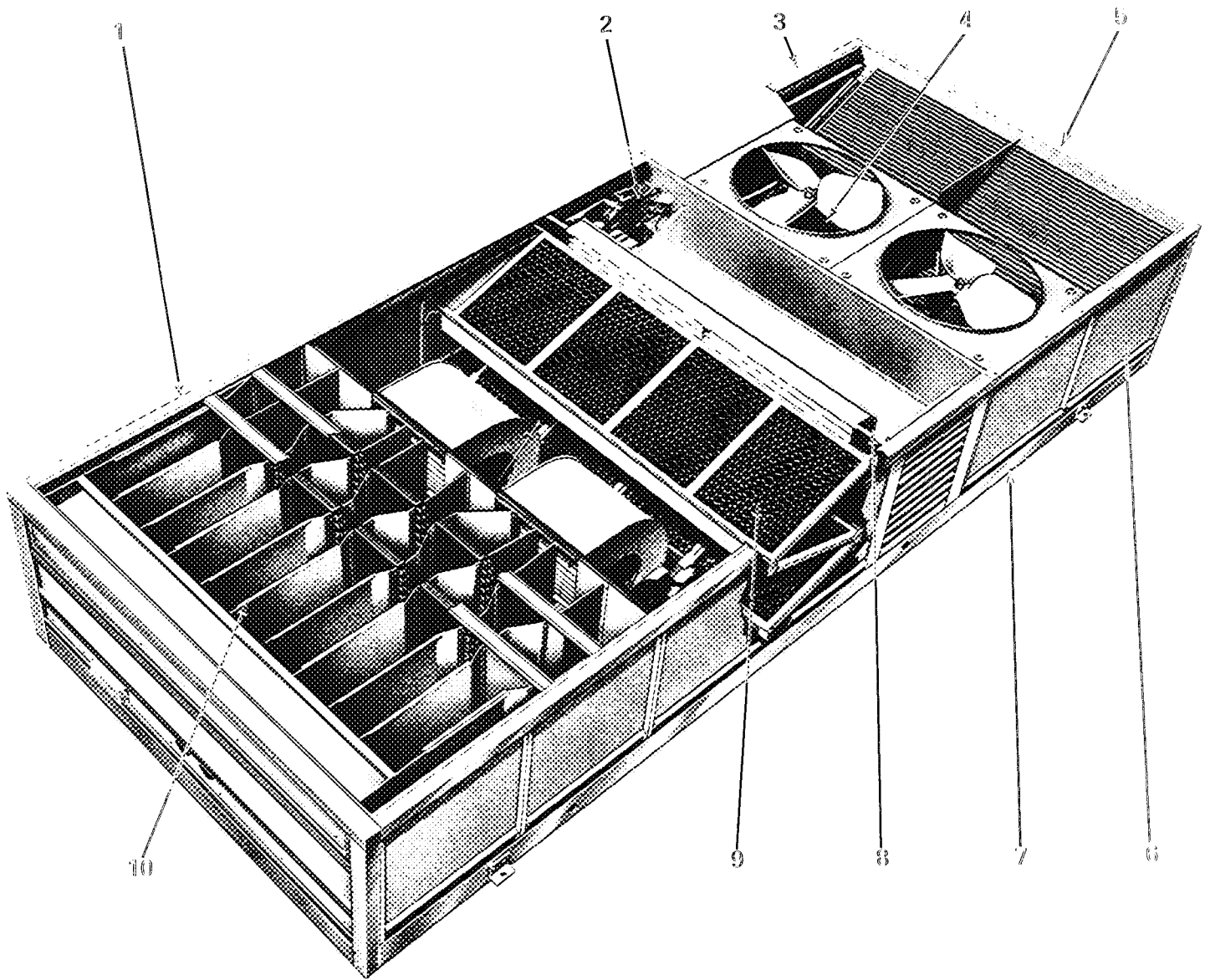
**Time Guard® electrical circuit** prevents rapid cycling of the compressor if occupant tampers with the thermostat. Compressor cannot short-cycle on a safety device, such as the low-pressure switch, should someone forget to clean the air filters.

**Capacity control** permits a wide operating range. During light loads the compressor automatically unloads to reduce operating costs and maintain steady compressor operation. When the load drops below the minimum unloader stage, the hot gas bypass control provides continuous cooling operation.

**Built-in safety controls** prevent damage to unit components. Included are high- and low-pressure switches, overtemperature limit switches and overload protection for all motors.



6 **Polyurethane foam sandwich access panels** are of Weather Armor galvaneal steel. Their thermal resistance prevents sweating at outdoor conditions up to 77 F dew point. And they are strong enough to support a 250-pound man.



1 Rugged extruded aluminum frames and protective grilles provide strength and good looks. Unit will not sag during rigging.

2 Low silhouette — The cabinet has no vents or hoods to break up the clean appearance. The curb-mounted unit seldom requires a parapet to hide it from street level view.

3 Humidry® coil — This separate cooling coil dehumidifies the outdoor air before it is mixed with the return air to prevent high indoor relative humidities in humid weather and during partial load operation.

4 Large filter area — Over 41 square feet of standard filter area is factory supplied. Filter tracks will accept one-in. or 2-in., high- or low-velocity, permanent or throwaway, standard or high-efficiency filters.

#### 10 Electric heater section (50ME)

— Each zone module has its own 2- or 3-stage electric heater assembly or hot water/glycol heating coil. Electric heaters have 24-volt relays and 115-volt contactors. Each heating element has circuit breakers and automatic thermal reset. Each leg has its own heat limiter (fusible link).

Each hot water/glycol heating coil has its own solenoid operated shutoff valve and balancing valve. All heating coils are prepiped to supply and return manifolds which also include a bleed valve.

Gas heating (48MA) — Each zone module has stainless steel burners, Porcelon™ heat exchangers and its own redundant gas valve. Natural gas units also have a regulator for each gas valve. Intermittent pilot ignition and forced draft combustion are standard on all units.

# Zone-Mizer™ Modular Multizone concept. How it works. . .

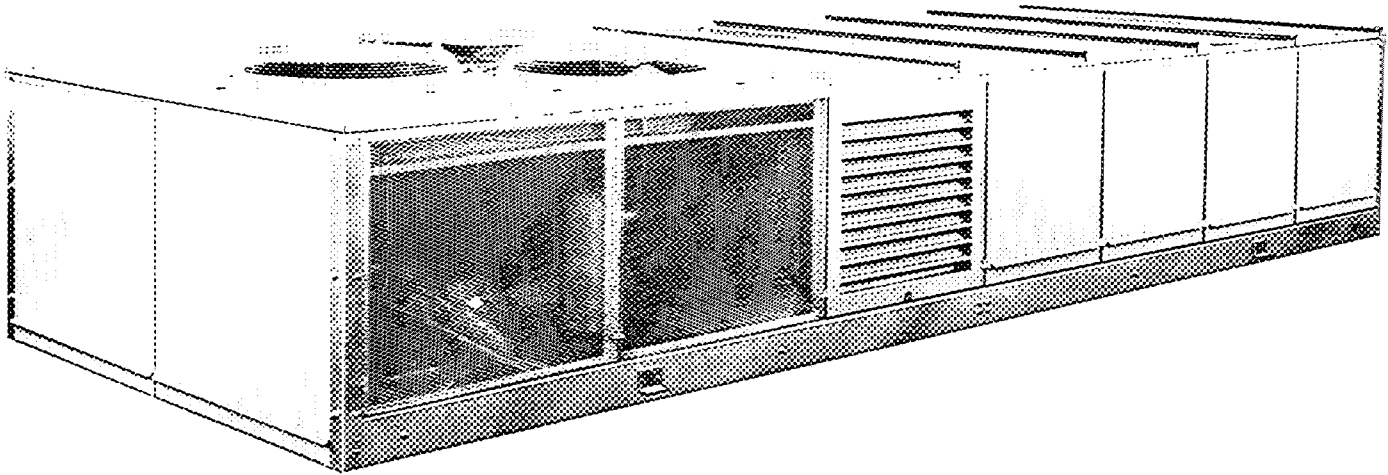
Outdoor air entering the unit thru the side louvers is filtered and then cooled and dehumidified by the Humidry® cooling coil when mechanical cooling is operating. Return air entering the unit from below is mixed with this conditioned air. The mixture is then filtered. After passing thru the indoor air fans, the air is discharged into the individual zone modules. The air passing thru each zone module is either cooled or

heated in response to a signal from the thermostat controlling that module. This treated air then continues to the individual zone duct systems, thus providing a constant air pattern and volume on each cooling coil and heating assembly

Each zone module cooling coil has its own solenoid valve to admit refrigerant when needed. When 2 or more mod-

ules are grouped for a larger zone requirement, 2-stage cooling can be provided. . . and controlled by one simple 24-volt mercury bulb thermostat

This condenser end view of unit (034 and 040) shows the 3 outdoor air fans and the side condenser air inlet grilles. The 2 end panels may be easily removed for control box and compressor accessibility.

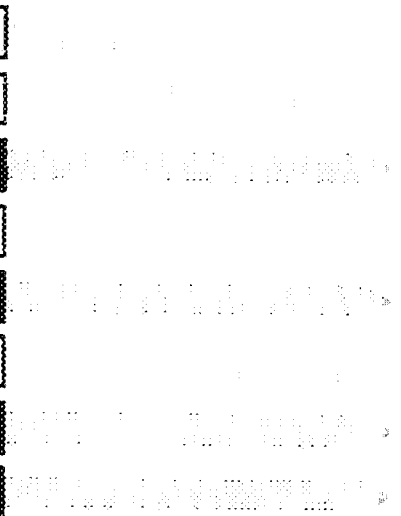


**SPLITS AIRSTREAM INTO ZONES**

**ADDS  
SEPARATE OR  
COOLING**

**ADDS  
SEPARATE  
HEATING**

**DIRECTS HEATED  
OR COOLED AIR  
TO INTERIOR ZONES**



# and why it's best.

## Low operating costs

On partial load, the Carrier compressors unload cylinders to match compressor output to cooling needed with up to 6 steps of reduction. To maintain balanced operation, the hot gas bypass system diverts hot refrigerant to the outdoor air cooling coil as needed.

There is no mixing of warm and cold airstreams in the modular design. Just that amount of energy required to heat or cool a given zone is used — and no more.

**Heating is available 3 ways.** . . . Electric heating, provided by 2- or 3-stage electric heaters in each module, gives up to 36 steps of capacity, again using the minimum amount of energy.

Hot water/glycol heat may be specified to utilize an already available heating plant.

Gas heating models utilize intermittent pilot ignition in each module designed to consume a minimum amount of energy.

**Low-temperature operating capability.** . . . You can use the economizer cycle with outdoor air for "free cooling," as with competing units. However, with Carrier's head pressure controlled refrigeration system, you can often save money by using refrigeration to cool the space instead. So-called "free cooling" is expensive if a large quantity of cool outdoor air must be heated for the zones which do not require cooling. The Carrier refrigeration system can operate at outdoor temperatures down to -20F. The Carrier modular design, therefore, is not dependent on an economizer cycle for cooling at low outdoor temperatures.

## Superior humidity control

One of the major concerns in multizone applications has been the control of humidity, especially in schools where moisture comes from large groups of people as well as from outdoor ventilation air. The basic Carrier design eliminates this problem. During mechanical cooling, all outdoor air that passes thru the Humidry® outdoor air cooling coil is dehumidified whenever any zones require cooling. The air is then further dehumidified when it passes thru the zone module cooling coil.

If further dehumidification should be required for any or all zones, reheat can be added easily. A humidistat, installed in the conditioned space to override the thermostat, energizes the cooling coil for that zone.

## Ease of service

The Zone-Mizer™ Modular Multizone uses simple, familiar, commercial, thermostatic controls for each module, eliminating the need for factory experts and complex start-up and service procedures. The printed control circuit board has clearly marked terminals for easy connection of standard 2-stage heating and one- or 2-stage cooling thermostats, which are located in each zone.

Identical relays plug into the circuit board. Modules can be easily combined to serve larger spaces by placing factory-supplied jumper wires on the premarked terminals.

The entire control system is neatly organized in one location. For excellent accessibility, all circuit breakers project outside so that any motor can be disconnected without opening the high-voltage box. This often eliminates the need for separate field-supplied disconnects.

The handsome Carrier mercury bulb type thermostats control heating and cooling modes. They are available with a locking device which requires an Allen wrench for access, or you can allow the zone occupant to set his own temperature.

Access to the Zone-Mizer Modular Multizone is thru removable side panels held in place with simple fasteners. Top panels may also be removed for complete access to unit interior.

In short, the local installing dealer or contractor can handle all service and will have available, from the nearest Carrier distributor, any parts required.

# Accessories and factory-installed options

## Hot water/glycol heating (50ME) —

Often, such as when renovating existing buildings, a heating plant is available. For these applications, Carrier's hot water/glycol heating unit may be ideally suited. Each zone module has its own high-capacity heating coil. All controls, solenoid operated shutoff valves and balancing valves are included. No internal piping or wiring required.

Heaters are designed for and intended to be operated with a glycol/water solution of 20% minimum glycol concentration for freeze-up protection. (Factory-Installed Option).

**Roof curb** supports unit and frames roof openings to provide a strong, watertight interface between unit and roof. Galvanized, 14-gage steel, 2-piece construction minimizes installation time and costs. (Accessory)

**Modulating outdoor air control** provides year-round ventilation with outdoor air. An outdoor air thermostat locks out compressors to permit "free cooling" with outdoor air. (Factory-Installed Option)

**Roll filter package** includes 65 ft of 2-in. thick filter media, automatic media advance switch and a motor. The run-out switch turns on the filter light in the remote control center to show when the media needs replacing (Factory-Installed Option)

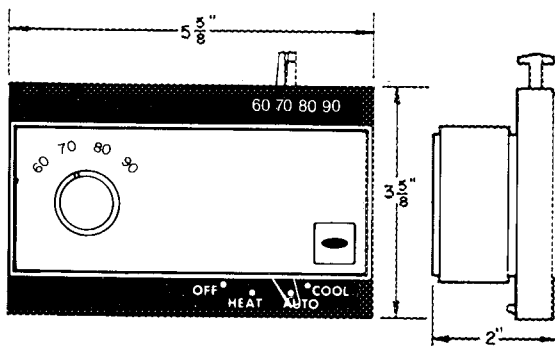
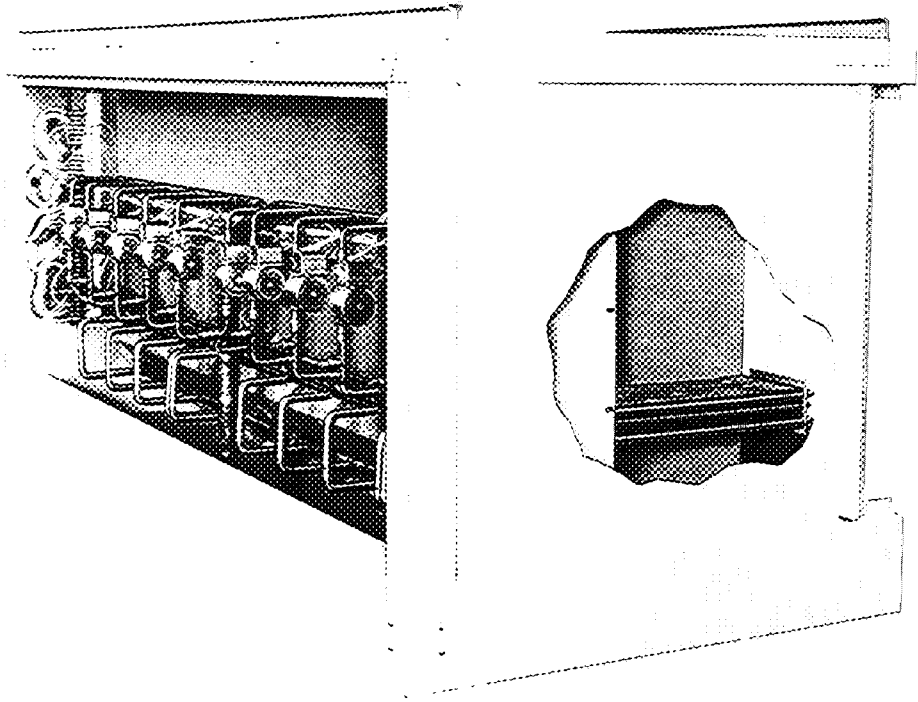
**Powered exhaust damper** has controls to operate outdoor air fans to

exhaust return air when unit is in "free cooling" mode. (Factory-Installed Option)

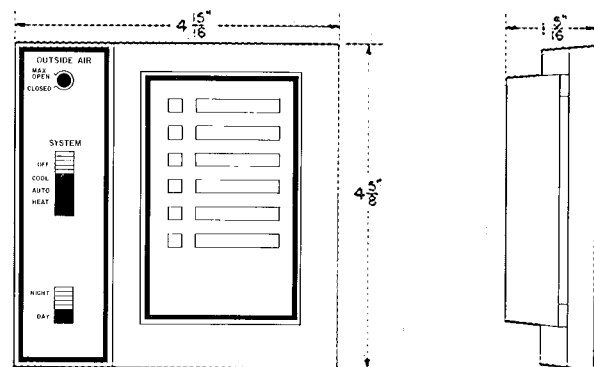
**Cooling only unit (50ME) —** Unit is available with all heating controls but without heater assemblies. Included are 24-volt control circuits and 115-volt power terminals for 2-stage control of steam heating coils field installed in the unit or in the zone ductwork.

**Electric heat (50ME) —** Each zone module is equipped with its own independent heater assembly. Two- and 3-stage heat is available to provide close air temperature control without wide temperature swings associated with rapid-cycle, full-on, full-off systems.

Three heat-to-cool ratios are available: .75:1, 1.1 and 1.5:1 to match almost any heating load requirement. (Factory-Installed Option)



**Zone thermostat (24 volts)** provides 2-stage heating and one- or 2-stage cooling for control of individual modules. Matching subbases are available with or without tamperproof switches and automatic changeover. (Accessory)



**Remote control panel (24 volts) —** This decorative central control for the entire unit has switches for HEAT, COOL, AUTOMATIC CHANGEOVER, OFF and DAY/NIGHT settings; dial to adjust outdoor air damper to rapidly ventilate conditioned spaces. A dirty filter warning light and knockouts for additional warning lights are also provided. (Accessory)

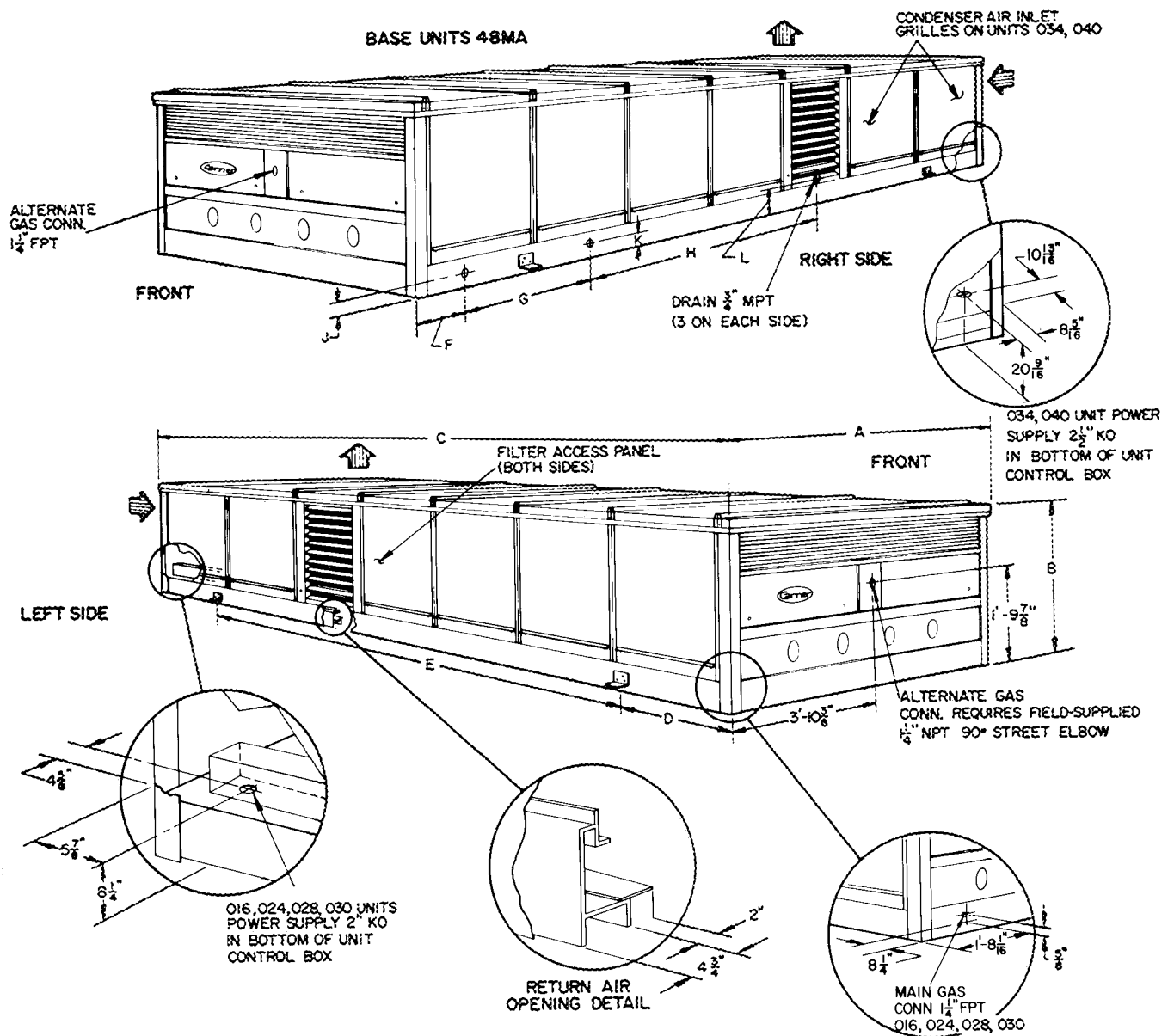
# Physical data

UNIT 48MA/50ME	016	024	028	030	034	040
Zone Modules	8	8	10	10	12	12
Nominal Cooling Capacity (tons)	15	20	25	28	30	37
<b>OPERATING WEIGHT (lb)</b>						
Base Unit 48MA	3385	3805	4075	4080	4800	5700
Base Unit 50ME (with heat)	2985	3405	3665	3670	4400	5250
Roof Curb	506	506	506	506	630	630
<b>REFRIG CHARGE (lb, R-22)</b>	28	32	43	43	57	66.1
<b>COMPRESSOR</b>						
No. 1 Type	06DE537	06DE824	06DE537	06DE537	06DE537	06EE250
Cylinders. Unloaders	6.2	6.2	6.2	6.2	6.2	4.1
No. 2 Type	—	06DA824	06DA824	06DA537	06DA537	06EA250
Cylinders (has no unloaders)	—	6	6	6	6	4
System Oil Charge (pts)	11	22	22	22	21	31
Unloader Settings (psig)			Compressor No. 1 Only			
Left Bank			71.0 ± 1.5			
Loads			57.5 ± 2.5			
Right Bank			76.0 ± 1.5			75.5 ± 1.5
Loads			62.5 ± 2.5			58.0 ± 2.5
Unloads						
Capacity Steps (%)	100,67,33	100,83,67 50,33,17	100,80,60 40,20	100,80,60 40,20	100,83,67 50,33,17	100,75, 50,25
<b>OUTDOOR AIR FANS</b>						
Motor Hp .Rpm...Frame (NEMA)			Propeller, Direct Drive			
No. 1			1 1075 56 (1-phase)			
No. 2			1 1140 56 (3-phase)			
No. 3					1 1140 56 (3-phase)	
Nominal Cfm	16,500	15,000	15,000	15,000	24,000	23,000
<b>INDOOR AIR FANS</b>						
No. ...Size (in.)	2 15 x 15	2 15 x 15	Centrifugal; Belt Drive		3 .15 x 9	3 .15 x 9
Cfm (Nom)	6000	8000	2 15 x 15	2 15 x 15	12,000	12,000
Motor Hp .Rpm	5 1725	7-1/2 1725	10,000	10,000	15 1725	15 1725
Std Opt	—	—	10 1725	10 1725	20 1725	20 1725
Fan Pulley						
Outside Diameter (in.)	10.6	10.6	8.0	8.0	8.0	8.0
Bore (in.)	1-3/16	1-3/16	1-3/16	1-3/16	1-11/16	1-11/16
Fan Belt No ..Size	1 3V630	1 3V630	2 3V560	2 3V560	2 3V630	2 3V630
w/Std Mtr					3 3V670	3 3V670
w/Opt Mtr						
Motor Pulley A			Factory Installed			
Outside Diam (in.)	5.3	6.0	5.0	5.0	5.0	5.0
Bore (in.)	1-1/8	1-3/8	1-3/8	1-3/8	6.0	6.0
Resulting Fan Rpm	880	995	1095	1095	1-5/8	1-5/8
w/Std Mtr					1095	1095
w/Opt Mtr					1320	1320
Motor Pulley B			Shipped With Unit			
Outside Diam (in.)	6.0	6.9	5.6	5.6	5.6	5.6
Bore (in.)	995	1145	—	—	6.5	6.5
Resulting Fan Rpm	—	—	1230	1230	1230	1230
w/Std Mtr					1425	1425
w/Opt Mtr						
<b>OUTDOOR AIR COOLING COIL</b>						
Face Area (sq ft)	6.8	6.8	Thermostatic Expansion Valve, Hot Gas Bypass			
Corrugated Fins/in ...Rows	13 2	13 2	6.8	6.8	10.2	10.2
			13 2	13 2	13 2	13 3
<b>EVAPORATOR COILS (zone)</b>						
No. ...Face Area (sq ft, ea)	8.2 12	8.2 12	Solenoid Valve and Capillary Tube for each			
Corrugated Fins/in ...Rows	13 3	13 3	10.2 12	10.2 12	12.2 01	12.2 01
			13 3	13 3	12 3	15 3
<b>HEATING SECTION (48MA)</b>						
Rise Range			Furnace Assembly in Each Zone Module			
Input (1000 Btuh)	432	432	25 F to 55 F at 0.75 in wg ESP			
Total	54	54	540	540	648	648
Each Module	54	54	54	54	54	54
Bonnet Cap (1000 Btuh)	324	324	405	405	486	486
Total	40.5	40.5	40.5	40.5	40.5	40.5
Full Rate						
<b>HEATING SECTION (50ME Electric)</b>						
Electric Heaters		2- or 3-Stage, Nichrome, Open-Wire Resistance Elements in Each Zone Module				
No. Elements (ea)	8 2 or 3	8 2 or 3	10 2 or 3	10 2 or 3	12 2 or 3	12 2 or 3
<b>HEATING SECTION (50ME Glycol)</b>						
Max Allowable Inlet Temp			One Heating Coil in Each Zone Module			
Max Allowable Flow, Each Coil			200 F			
Solution Mixture			6 Gpm			
Max Allowable Working Pressure			20% Glycol			
Total Internal Volume (gallons)	2.61	2.61	3.15	3.15	3.76	3.76
30 Psig						
<b>PRESSURE SWITCHES</b>						
Low-Pressure			29 ± 5 Psig			
Cutout			39 ± 5 Psig			
Cut-in			400 ± 5 Psig			
High-Pressure			300 ± 5 Psig			
Cutout						
Cut-in						
Indoor Airflow Switch (AFS 1)			6000			9000
Factory Setting (cfm)			4000-600			6000-9000
Adjustment Range (cfm)						
<b>INDOOR AIR FILTERS</b>						
Std No. .Size (in.)			12 20 x 25 x 2			
High Efficiency (optional)			Same but with 36.5% efficiency (NBS Dust Spot Test)			
No. .Size (in.)			65 ft of 2-in media			
Roll Media (optional)						
<b>OUTDOOR AIR FILTERS</b>						
No. .Size (in.)			2 20 x 25 x 1		2 32 x 35 x 1	

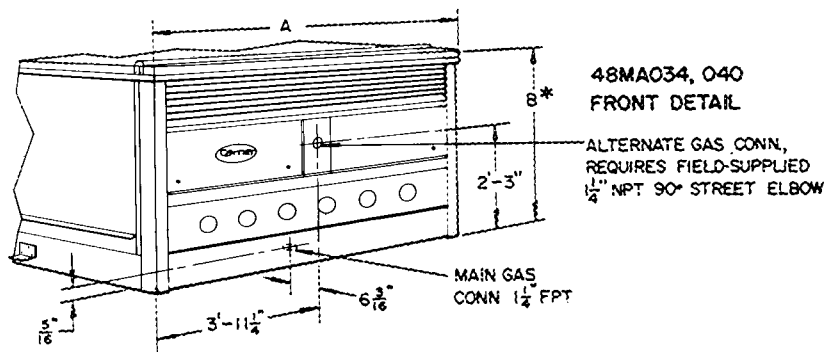




# Base unit dimensions (48MA)



- NOTES: 1 SPACE REQUIRED FOR SERVICE AND AIR FLOW ALL AROUND AND ABOVE UNIT IS 36 IN.
2. FOR ADDITIONAL INFORMATION SEE ACCESSORY ROOF CURB DIMENSION.
3. CENTER OF GRAVITY IS WITHIN 6 IN. RADIUS OF GEOMETRIC CENTER OF UNIT
4. MAXIMUM ALLOWABLE PITCH OF UNIT IS 1/2 IN. IN 10 FT IN ANY DIRECTION.

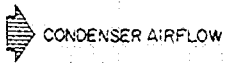
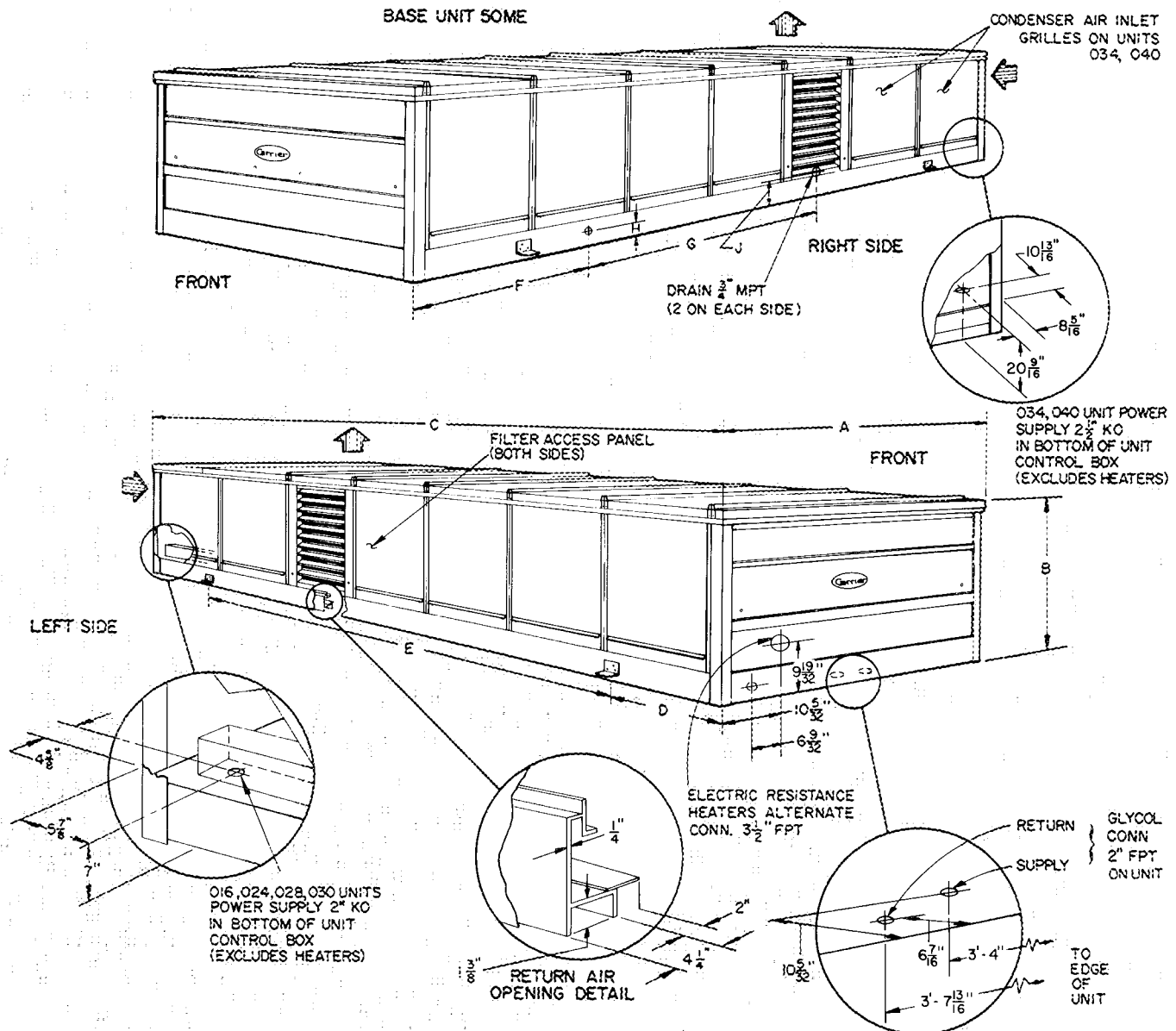


Certified dimension drawings available on request.

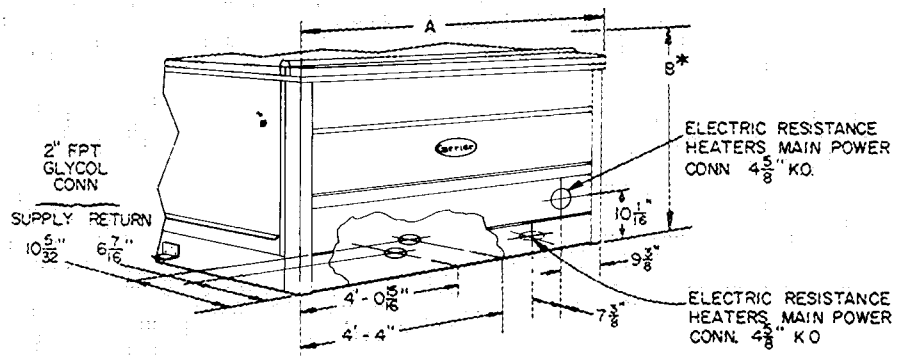
UNIT 48MA	DIMENSIONS (ft.-in.)										
	A	B	C	D	E	F	G	H	J	K	L
016, 024, 028, 030	7- 2 3/4	3-0 5/8	17-11 1/2	2-2 1/4	13-5 1/2	0- 9 1/16	2-10	7-3 3/8	0-3 1/8	0-3 1/8	0-3 1/8
034, 040	7-11	3-9 1/16*	21- 9 1/16	4-2 3/8	13-5 1/2	0-11 1/16	3- 4 1/16	8-6 3/4	0-3 1/32	0-2 1/16	0-7 1/4

\*Overall height; includes 1 3/4-in. for fan guards (48MA034 and 040)

# Base unit dimensions (50ME)



- NOTES: 1 SPACE REQUIRED FOR SERVICE AND AIR FLOW ALL AROUND AND ABOVE UNIT IS 36 IN.
- 2 FOR ADDITIONAL INFORMATION SEE ACCESSORY ROOF CURB DIMENSIONS.
- 3 CENTER OF GRAVITY IS WITHIN 6IN RADIUS OF GEOMETRIC CENTER OF UNIT
- 4 MAXIMUM ALLOWABLE PITCH OF UNIT IS  $\frac{1}{8}$  IN IN 10FT IN ANY DIRECTION.

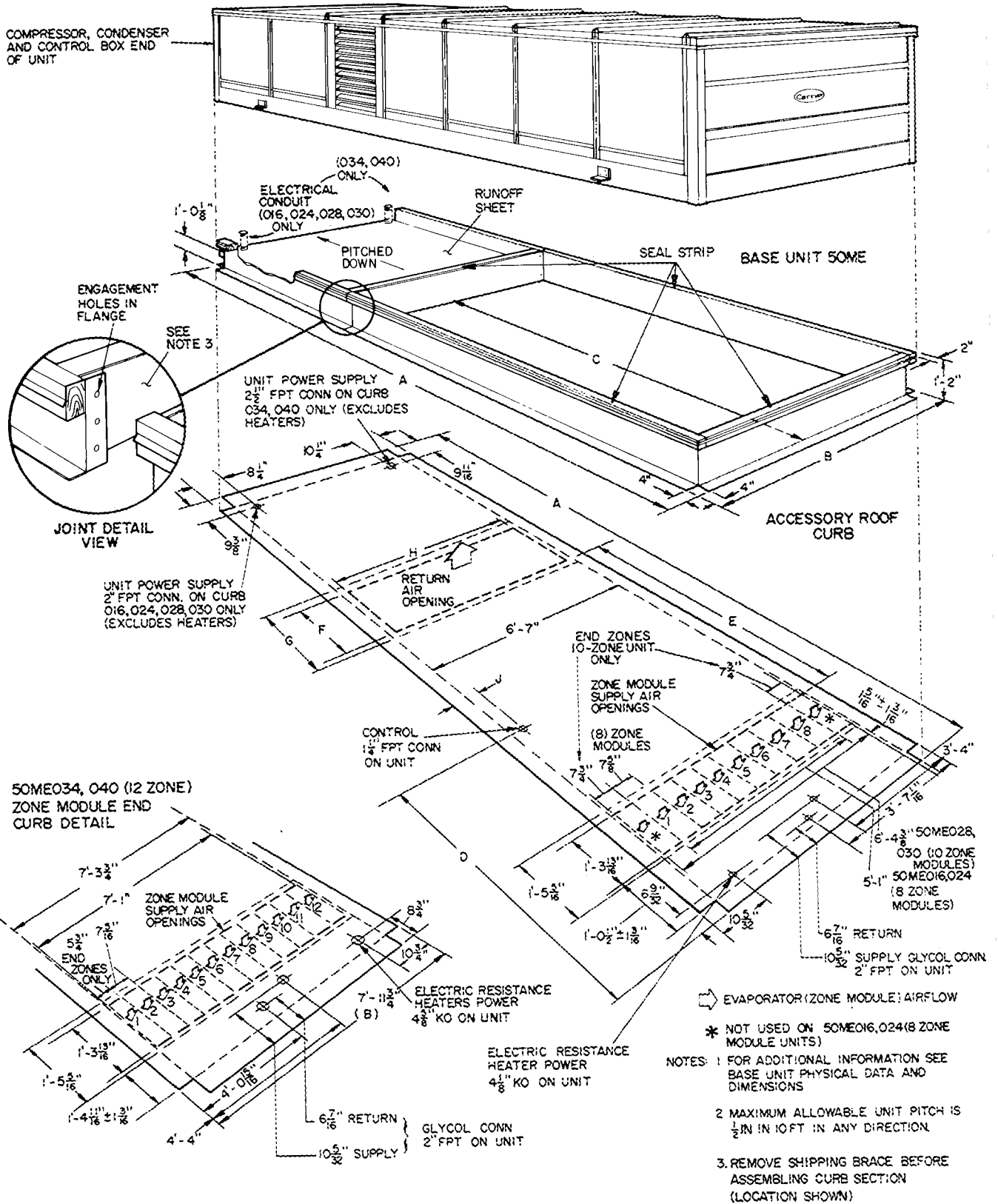


Certified dimension drawings available on request.

UNIT SOME	DIMENSIONS (ft.-in.)									
	A	B	C	D	E	F	G	H	J	
016, 024, 028, 030	7-2 $\frac{3}{4}$	3-0 $\frac{1}{16}$	17-11 $\frac{1}{16}$	2-2 $\frac{1}{16}$	13-5 $\frac{1}{16}$	3-7 $\frac{1}{16}$	7-3 $\frac{1}{16}$	0-3 $\frac{1}{16}$	0-3 $\frac{1}{16}$	
034, 040	7-11	3-9 $\frac{1}{16}$ *	21-9 $\frac{1}{16}$	4-2 $\frac{1}{16}$	13-5 $\frac{1}{16}$	4-4	8-6 $\frac{3}{4}$	0-2 $\frac{1}{16}$	0-7 $\frac{1}{4}$	

\*Overall height, includes 1 3/4 in. for fan guards (50ME034 and 040).

# → Roof curb dimensions (50ME)



Certified dimension drawings available on request

UNIT	DIMENSIONS (ft.-in.)									
	A	B	C	D	E	F	G	H	J	
48MA										
016, 024, 028, 030	18- 2 1/8	7- 3	11-9	5-6 1/4	7-2 1/8	1-10 1/16	2-2 1/16	6-0 3/8	0- 7 1/2	
034, 040	21-11 3/8	7-11 1/4	14-1 1/4	6-7 1/16	8-4 3/16	2- 9 1/16	3-1	6-8 1/2	0-10 1/16	

# Selection procedure (with example)

Refer to Carrier's Engineering Guide for Multizone Unit Systems and contents of this booklet for typical multizone design considerations. Using the Engineering Guide, calculate cooling and heating load estimates for the areas to be served by the multizone unit. Divide each area into zones based on the peak load and control requirements within the area.

The resulting loads calculated for a typical building are:

Cooling  
 Grand Total Load (GTL) ..... 272,440 Btuh  
 Sensible Load (SL) ..... 219,000 Btuh  
 Room Design ..... 75 F db/50% Rh  
 Outdoor Air (OA) Cfm ..... 1000  
 OA Ambient Temperature ..... 95 F db/75 F wb  
 Electric Power Source ..... 460/3/60

Zone No.	Room Total Load* (RTL)/Zone	Room Sensible Load (RSL)/Zone
1	19,000 Btuh	16,935 Btuh
2	25,000 Btuh	22,505 Btuh
3	25,000 Btuh	22,505 Btuh
4	70,000 Btuh	59,160 Btuh
5	22,000 Btuh	19,720 Btuh
6	25,000 Btuh	22,505 Btuh
7	40,000 Btuh	33,870 Btuh
<b>Total</b>	<b>226,000 Btuh</b>	<b>197,200 Btuh</b>

\*Loads are peak loads

## Heating (Electric Resistance Heat required)

Zone No.	Heating Load/Zone	Electric Resistance/Zone
1	34,000 Btuh	10.0 kw
2	44,000 Btuh	12.9 kw
3	44,000 Btuh	12.9 kw
4	111,000 Btuh	32.5 kw
5	42,000 Btuh	12.3 kw
6	44,000 Btuh	12.9 kw
7	81,000 Btuh	23.7 kw
<b>Total*</b>	<b>400,000 Btuh</b>	<b>117.2 kw</b>

\*Zone Peak Capacities

## Selection:

Base the multizone unit selection on cooling load requirements. Enter the 48MA/50ME rating tables in the Performance Data Section and select the unit that meets or exceeds the grand total load at the specified conditions. (Interpolation may be necessary to obtain unit rating at certain conditions; extrapolations are not advised. Contact Carrier Application Engineering for performance data at points beyond the range of published tables.) The 024 size unit does not have sufficient capacity to meet load requirements at any cfm. The 028 size exceeds load requirements; however, it is the smallest unit that meets specifications. Thus, the 48MA/50ME028 at: 9000 cfm; 1000 cfm OA; 95 F/75 OA temperature; and 75 F/50% Rh room design has a Total Capacity (TC) of 282,000 Btuh, Sensible Heat Capacity (SHC) of 219,000 Btuh and a compressor kw of 27.5. Calculate the Room Total Capacity (RTC) and the Room Sensible Heat Capacity (RSHC) by deducting the outdoor air load from the unit capacity. The outdoor air load with respect to room conditions is:

$$\begin{aligned} \text{Total Heat (OATH)} &= 4.5 (h_{\text{OA}} - h_{\text{room}}) (\text{OA cfm}) \\ &= 4.5 (38.61 - 28.29) (1000) \\ &= 46,440 \text{ Btuh} \end{aligned}$$

$$\begin{aligned} \text{Sensible Heat (OASH)} &= 1.09 (t_{\text{OA}} - t_{\text{room}}) (\text{OA cfm}) \\ &= 1.09 (95 - 75) (1000) \\ &= 21,800 \text{ Btuh} \end{aligned}$$

The unit capacity available to offset room loads is:

$$\begin{aligned} \text{Room TC} &= \text{Unit TC} - \text{Outdoor Air TC} \\ &= 282,000 - 46,440 \\ &= 235,560 \text{ Btuh} \end{aligned}$$

$$\begin{aligned} \text{Room SHC} &= \text{Unit SHC} - \text{Outdoor Air Sensible Heat} \\ &= 219,000 - 21,800 \\ &= 197,200 \text{ Btuh} \end{aligned}$$

For comparison.

Actual Load	Actual Unit Capacity
GTL = 272,440 Btuh	TC = 282,000 Btuh
SL = 219,000 Btuh	SHC = 219,000 Btuh
RTL = 226,000 Btuh	RTC = 235,560 Btuh
RSL = 197,200 Btuh	RSHC = 197,200 Btuh

The 48MA/50ME size meets or exceeds the total and zone load requirements at the specified conditions. The excess RTC decreases space average relative humidity slightly below the room design of 50%. By increasing air quantity above 9000 cfm, this excess latent capacity can be converted to additional sensible capacity if desired.

Since the modular multizone is a constant volume machine, proportion the selected supply cfm per zone to satisfy each zone's peak load condition.

Divide room sensible capacities (RSC) equally among the modules if an equal cfm is going to each. In this example, the 48MA/50ME028 has 10 modules and the nominal cfm is 900 cfm per module and equal cfm's are not going to each.

Vary the cfm to each zone (with field-supplied manual dampers in zone ducts) to match different zone requirements. Since the original rating was based on 9000 cfm supply air, all variations must total 9000 cfm. When the cfm is changed (by some percent) from the nominal in a specific module, use the room capacity multipliers in the Zone Cooling Capacity Multiplier Table to correct room TC and room SHC for that zone. Capacity versus cfm changes for the example is given in the Capacity vs Cfm Change table.

By analyzing each zone's ratio of deviation from equal sensible heat allocation, determine the proper cfm change. In the example, if building room SHC is 197,200 Btuh and 10 zones are used, each zone's normal room SHC is 19,720 Btuh. But if Zone 3 has 22,505 Btuh room SHC, then by ratio of 22,505: 19,720 or 1.14, the cfm change is +20%. Correspondingly, if Zone 1 had 16,935 Btuh room SHC, the cfm change is -20%.

In applications where the zone selection is not an increment of the number of unit modules (i.e. one zone requiring 500 cfm in a 48MA/50ME028 with 10,000 cfm), refer to Module Cfm Limits (page 36), Application Data section for details on using cfm's below 600 cfm/module.

Formulas required to use ratings are:

$$\begin{aligned} \text{Outdoor Air Total Heat (OATH)} \\ \text{OATH} &= 4.5 (\text{OA cfm}) (h_{\text{OA}} - h_{\text{room}}) \end{aligned}$$

**CAPACITY VS CFM CHANGES**

ZONE NO.	NO. OF MODULES	RSL/ZONE PEAK LOAD	% DEVIATION (RSL/NOM UNIT RSHC)	% CFM CHANGE FROM NOMINAL	CFM	UNIT TOTAL CAPACITY MULTIPLIER	X	UNIT NOMINAL RTC/ZONE	ADJUSTED UNIT RTC
1	1	16,935	16,935/19,720 = .86	-20	720	.9	x	23,556	21,200
2	1	22,505	22,505/19,720 = 1.14	+20	1080	1.1	x	23,556	25,912
3	1	22,505	22,505/19,720 = 1.14	+20	1080	1.1	x	23,556	25,912
4	3	59,160	59,160/3 x 19,720 = 1.00	0	2700	1.0	x	3 x 23,556	70,668
5	1	19,720	19,720/19,720 = 1.00	0	900	1.0	x	23,556	23,556
6	1	22,505	22,505/19,720 = 1.14	+20	1080	1.1	x	23,556	25,912
7	2	33,870	33,870/2 x 19,720 = .86	-20	1440	.9	x	2 x 23,556	42,400
	10	197,200			9000				235,560

RSHC — Room Sensible Heat Capacity

RSL — Room Sensible Load

RTC — Room Total Capacity

**ZONE COOLING CAPACITY MULTIPLIERS**

% CFM CHANGE*	ROOM TOTAL CAPACITY (RTC)	ROOM SENSIBLE HEAT CAPACITY (RSHC)
+35	1.15	1.21†
+20	1.10	1.14†
+10	1.05	1.07†
0	1.00	1.00
-10	0.95	0.93
-20	0.90	0.86
-35	0.85	0.79

\*Must not be greater than 1200 cfm nor less than 600 cfm per module.  
 †If resulting RSHC is greater than RTC, then RSHC equals RTC

Stages of heat are controlled individually in the small zones or collectively in large zones to provide flexible and continuous control for each zone.

**Determine fan requirements**

For 48MA/50ME operation, cfm range per module is 600 to 1200 cfm. Lower flow volumes are permissible if only first stage of heat is operated. Volumes above 1200 cfm may cause water blow-off during cooling.

Since the various unit zones operate at different air quantities and different external resistances, identify the zone having the highest static pressure requirement for the supply duct and supply outlet.

Usually, the longest duct run to the last outlet, with the greatest number of offsets and elbows, has the greatest static pressure requirement. Assume a duct friction analysis has been made and the cfm and static pressure are:

Zone No.	CFM	ESP (in. wg)	No. Modules	CFM/Module
1	720	6	1	720
2	1080	8	1	1080
3	1080	5	1	1080
4	2700	6	3	900
5	900	4	1	900
6	1080	4	1	1080
7	1440	5	2	720
<b>Totals</b>	<b>9000</b>		<b>10</b>	

The total unit (028 or 030) cfm is 9000. Zones 4 and 7 have 3 and 2 modules, respectively, "ganged" together to comply with the limitation of 1200 cfm per module

The cfm for Zone 2 is 1080 with an ESP of 0.8 in. wg. This module appears to possess the highest friction loss. Therefore, the main fan static pressure is established at 8 in. wg ESP.

Enter Fan Performance table at 9000 cfm, .8 in. wg ESP and read: 1020 rpm and 5.4 bhp. The 028 indoor fan motor data shows the standard 10 hp motor with a maximum bhp of 11.5. Therefore, 5.4 bhp for this selection is satisfactory. In the Physical Data table, 2 pulley selections are available with the 028: Pulley A, shipped mounted; Pulley B, shipped in the blower compartment. Pulley A has a fixed pitch and at 1095 rpm is close enough to the required cfm and should be used. Pulley B at 1230 rpm allows selection of the unit at higher cfm's and static pressures.

**Outdoor Air Sensible Heat (OASH)**

OASH = 1.09 (OA cfm) (toa - troom)

**Room Total Capacity (RTC)**

RTC = Unit TC - OASH

**Room Sensible Heat Capacity (RSHC)**

RSHC = Unit SHC - OASH

**Leaving Air Temperature (LAT)**

LAT = room temperature -  $\frac{RSHC}{1.09 \text{ cfm}}$

**Determine Heating Capacity:**

The specified requirement for electric heat dictates the selection of a 50ME028 unit with a kw option that meets or exceeds the heating load.

The Electric Resistance Heater Data table (page 30) indicates that the 028 unit has heating capacity options of 66, 88 and 132 kw. The 132 kw option is selected as it provides adequate heat for this application. The kw/zone and number of heat stages available are:

Zone No.	Load	Zone Heating Capacity	Stages of Heat
1	10.0 kw	13.2 kw	3
2	12.9 kw	13.2 kw	3
3	12.9 kw	13.2 kw	3
4	32.5 kw	39.6 kw	9
5	12.3 kw	13.2 kw	3
6	12.9 kw	31.2 kw	3
7	23.7 kw	26.4 kw	6
<b>Total</b>	<b>117.2 kw</b>	<b>132.0 kw</b>	<b>30</b>

Performance data  
Room Design 75 F/50% Rh

COOLING CAPACITIES  
48MA/50ME016

OUTDOOR AIR TEMP		TOTAL UNIT CFM																													
		4,000									5,000									6,000											
		Outdoor Air Cfm									Outdoor Air Cfm									Outdoor Air Cfm											
		0			750			1500			0			750			1500			0			750			1500					
Db	Wb	TC	SHC	Kw	TC	SHC	Kw	TC	SHC	Kw	TC	SHC	Kw	TC	SHC	Kw	TC	SHC	Kw	TC	SHC	Kw	TC	SHC	Kw	TC	SHC	Kw			
85	65	168	118	14.8	174	126	15.1	177	134	15.2	176	130	15.2	181	139	15.4	184	146	15.6	181	142	15.4	186	150	15.7	188	158	15.8	188	158	15.8
	70	168	118	14.8	178	122	15.3	184	124	15.6	176	130	15.2	184	134	15.6	190	137	15.9	181	142	15.4	189	146	15.8	194	149	16.1	194	149	16.1
90	65	164	116	15.4	169	129	15.7	172	140	15.8	171	128	15.8	176	141	16.0	179	152	16.2	176	140	16.0	181	152	16.3	183	164	16.4	183	164	16.4
	70	164	116	15.4	173	124	15.9	179	131	16.2	171	128	15.8	179	136	16.2	185	143	16.4	176	140	16.0	184	148	16.4	189	155	16.6	189	155	16.6
	73	164	116	15.4	176	121	16.0	183	125	16.4	171	128	15.8	182	133	16.3	188	137	16.6	176	140	16.0	186	145	16.5	192	149	16.8	192	149	16.8
	75	164	116	15.4	177	119	16.1	186	121	16.5	171	128	15.8	183	131	16.4	191	133	16.8	176	140	16.0	187	143	16.6	194	145	16.9	194	145	16.9
95	65	160	114	16.0	165	131	16.2	168	146	16.4	167	126	16.3	172	143	16.6	174	158	16.7	172	138	16.6	176	155	16.8	178	170	17.0	178	170	17.0
	70	160	114	16.0	169	126	16.4	174	137	16.7	167	126	16.3	175	138	16.8	180	149	17.0	172	138	16.6	179	150	17.0	183	161	17.2	183	161	17.2
	75	160	114	16.0	173	121	16.6	182	127	17.1	167	126	16.3	178	133	16.9	186	139	17.4	172	138	16.6	182	145	17.1	189	151	17.5	189	151	17.5
	80	160	114	16.0	175	118	16.8	186	121	17.4	167	126	16.3	180	130	17.1	190	133	17.6	172	138	16.6	184	142	17.2	191	152	17.6	191	152	17.6
100	70	156	112	16.5	164	128	17.0	170	143	17.3	163	124	16.9	170	141	17.3	175	155	17.6	167	136	17.2	174	152	17.5	178	167	17.8	178	167	17.8
	75	156	112	16.5	168	123	17.2	177	133	17.7	163	124	16.9	173	136	17.5	181	146	17.9	167	136	17.2	177	147	17.7	181	167	17.8	181	167	17.8
	78	156	112	16.5	171	120	17.4	181	127	18.0	163	124	16.9	175	132	17.6	181	146	17.9	167	136	17.2	179	147	17.7	181	167	17.8	181	167	17.8
105	70	152	110	17.0	160	130	17.5	165	149	17.9	158	123	17.4	165	143	17.9	170	162	18.2	162	134	17.7	169	154	18.1	173	173	18.4	173	173	18.4
	75	152	110	17.0	164	125	17.8	172	139	18.3	158	123	17.4	168	138	18.1	175	152	18.5	162	134	17.7	172	149	18.3	173	173	18.4	173	173	18.4
110	78	148	109	17.5	161	124	18.5	171	139	19.1	154	121	17.9	166	137	18.7	170	162	18.5	162	134	17.7	172	149	18.3	173	173	18.4	173	173	18.4
115	75	144	107	18.0	153	130	18.8	162	152	19.4	149	119	18.4	159	142	19.1	170	162	18.5	162	134	17.7	172	149	18.3	173	173	18.4	173	173	18.4

48MA/50ME024

OUTDOOR AIR TEMP		TOTAL UNIT CFM																													
		5,000									6,500									8,000											
		Outdoor Air Cfm									Outdoor Air Cfm									Outdoor Air Cfm											
		0			750			1500			0			750			1500			0			750			1500					
Db	Wb	TC	SHC	Kw	TC	SHC	Kw	TC	SHC	Kw	TC	SHC	Kw	TC	SHC	Kw	TC	SHC	Kw	TC	SHC	Kw	TC	SHC	Kw	TC	SHC	Kw			
85	65	204	143	18.0	212	153	18.5	216	161	18.7	215	161	18.6	222	171	19.0	226	179	19.2	222	178	19.0	229	188	19.4	233	196	19.6	233	196	19.6
	70	204	143	18.0	217	149	18.7	224	152	19.1	215	161	18.6	226	167	19.2	233	170	19.5	222	178	19.0	232	183	19.5	239	187	19.9	239	187	19.9
90	65	200	141	18.8	208	155	19.2	212	167	19.4	210	159	19.3	218	173	19.8	222	185	20.0	217	176	19.7	224	190	20.1	228	202	20.4	228	202	20.4
	70	200	141	18.8	212	151	19.5	219	158	19.9	210	159	19.3	221	169	20.0	227	176	20.3	217	176	19.7	227	185	20.3	233	193	20.6	233	193	20.6
	73	200	141	18.8	215	148	19.6	224	152	20.1	210	159	19.3	223	166	20.1	231	170	20.6	217	176	19.7	229	182	20.4	237	187	20.8	237	187	20.8
	75	200	141	18.8	216	146	19.7	227	148	20.3	210	159	19.3	225	164	20.2	234	166	20.7	217	176	19.7	231	181	20.5	239	183	21.0	239	183	21.0
95	65	196	140	19.5	203	157	19.9	208	173	20.2	206	157	20.1	213	175	20.5	217	191	20.8	212	174	20.5	219	191	20.9	223	207	21.2	223	207	21.2
	70	196	140	19.5	207	153	20.2	214	164	20.6	206	157	20.1	216	171	20.7	222	182	21.1	212	174	20.5	222	187	21.1	227	199	21.4	227	199	21.4
	75	196	140	19.5	212	148	20.5	222	154	21.1	206	157	20.1	220	166	21.0	229	172	21.5	212	174	20.5	225	182	21.3	233	189	21.8	233	189	21.8
	80	196	140	19.5	214	145	20.6	227	148	21.4	206	157	20.1	222	163	21.1	233	166	21.7	212	174	20.5	228	179	21.4	233	189	21.8	233	189	21.8
100	70	192	137	20.2	202	155	20.9	209	170	21.3	201	155	20.8	211	172	21.5	217	188	21.8	207	172	21.2	216	189	21.8	222	204	22.2	222	204	22.2
	75	192	137	20.2	207	150	21.2	216	160	21.8	201	155	20.8	214	168	21.7	223	178	22.2	207	172	21.2	220	184	22.0	227	195	22.5	227	195	22.5
	78	192	137	20.2	209	147	21.4	221	154	22.1	201	155	20.8	217	164	21.9	227	172	22.5	207	172	21.2	222	181	22.2	227	195	22.5	227	195	22.5
105	70	187	135	20.9	197	157	21.6	204	176	22.1	196	153	21.5	205	174	22.2	212	193	22.6	202	169	21.9	211	191	22.5	217	210	22.9	217	210	22.9
	75	187	135	20.9	201	152	21.9	211	166	22.6	196	153	21.5	209	169	22.4	217	184	23.0	202	169	21.9	214	186	22.8	221	201	23.3	221	201	23.3
110	78	183	133	21.6	199	150	22.8	210	166	23.6	191	151	22.2	206	168	23.3	215	184	24.0	197	167	22.6	210	185	23.6	210	201	23.3	210	201	23.3
115	75	178	131	22.3	191	155	23.3	200	178	24.0	186	149	22.9	198	173	23.8	206	195	24.4	191	165	23.3	202	189	24.1	202	189	24.1	202	189	24.1

48MA/50ME028

OUTDOOR AIR TEMP		TOTAL UNIT CFM																													
		7,000									9,000									11,000											
		Outdoor Air Cfm									Outdoor Air Cfm									Outdoor Air Cfm											
		0			1000			2000			0			1000			2000			0			1000			2000					
Db	Wb	TC	SHC	Kw	TC	SHC	Kw	TC	SHC	Kw	TC	SHC	Kw	TC	SHC	Kw	TC	SHC	Kw	TC	SHC	Kw	TC	SHC	Kw	TC	SHC	Kw			
85	65	265	190	24.0	275	203	24.6	280	213	24.8	277	213	24.6	287	226	25.2	291	236	25.4	285	234	25.1	294	248	25.6	298	258	25.8	298	258	25.8
	70	265	190	24.0	280	197	24.8	289	201	25.3	277	213	24.6	291	220																

Performance data  
Room Design 75 F/50% Rh

COOLING CAPACITIES  
48MA/50ME030

OUTDOOR AIR TEMP		TOTAL UNIT CFM																									
		8,000												10,000													
		Outdoor Air Cfm												Outdoor Air Cfm													
Db	Wb	0			1000			2000			2500			0			1000			2000			2500				
		TC	SHC	Kw	TC	SHC	Kw	TC	SHC	Kw	TC	SHC	Kw	TC	SHC	Kw	TC	SHC	Kw	TC	SHC	Kw	TC	SHC	Kw		
85	65	298	215	29.7	311	229	30.5	317	240	30.9	319	245	31.0	309	238	30.4	322	252	31.2	328	263	31.6	330	267	31.7		
	70	298	215	29.7	317	223	30.9	326	228	31.5	329	230	31.7	309	238	30.4	327	246	31.5	335	251	32.1	339	253	32.3		
90	65	292	212	30.7	304	231	31.6	309	247	31.9	312	254	32.1	303	235	31.5	315	254	32.3	320	270	32.7	322	277	32.8		
	70	292	212	30.7	309	225	31.9	318	235	32.5	322	240	32.8	303	235	31.5	320	248	32.6	328	258	33.1	331	263	33.3		
	73	292	212	30.7	313	222	32.2	324	228	32.9	328	230	33.2	303	235	31.5	323	245	32.8	332	251	33.5	336	253	33.7		
	75	292	212	30.7	315	219	32.3	328	222	33.2	333	234	33.5	303	235	31.5	325	242	33.0	336	245	33.7	340	246	34.0		
95	65	285	209	31.8	297	234	32.6	303	255	33.0	305	264	33.2	296	232	32.5	307	256	33.3	314	277	33.8	316	286	33.9		
	70	285	209	31.8	302	228	33.0	311	243	33.6	314	250	33.8	296	232	32.5	312	251	33.7	319	266	34.2	322	273	34.4		
	75	285	209	31.8	308	222	33.4	320	230	34.2	325	234	34.6	296	232	32.5	317	244	34.0	328	253	34.8	332	257	35.1		
	78	285	209	31.8	311	217	33.6	326	222	34.7	332	223	35.1	296	232	32.5	320	240	34.2	333	244	35.1	-	-	-		
100	80	285	209	31.8	314	215	33.8	330	216	34.9	337	216	35.4	296	232	32.5	322	237	34.4	336	238	35.4	-	-	-		
	70	279	207	32.8	295	230	34.0	303	250	34.6	307	260	34.9	289	229	33.5	304	253	34.7	312	273	35.2	315	282	35.5		
	75	279	207	32.8	300	224	34.4	312	237	35.3	317	244	35.6	289	229	33.5	304	246	35.0	319	260	35.8	324	267	36.1		
105	78	279	207	32.8	303	220	34.7	318	229	35.7	324	234	36.1	289	229	33.5	312	242	35.3	324	252	36.2	-	-	-		
	70	273	204	33.7	288	232	34.9	297	258	35.7	300	269	35.9	282	226	34.5	296	255	35.6	305	280	36.3	308	291	36.6		
110	75	273	204	33.7	293	226	35.4	304	245	36.3	309	254	36.6	282	226	34.5	301	249	36.0	311	268	36.8	315	276	37.1		
	78	266	201	34.6	289	224	36.6	303	244	37.7	308	254	38.1	276	223	35.4	297	247	37.2	-	-	-	-	-	-		
115	75	261	199	35.5	279	231	37.1	291	260	38.2	296	274	38.6	270	220	36.3	287	253	37.8	297	282	38.7	302	296	39.1		

OUTDOOR AIR TEMP		TOTAL UNIT CFM																									
		11,000												12,000													
		Outdoor Air Cfm												Outdoor Air Cfm													
Db	Wb	0			1000			2000			2500			0			1000			2000			2500				
		TC	SHC	Kw	TC	SHC	Kw	TC	SHC	Kw	TC	SHC	Kw	TC	SHC	Kw	TC	SHC	Kw	TC	SHC	Kw	TC	SHC	Kw		
85	65	314	248	30.7	326	263	31.5	332	273	31.8	334	278	31.9	317	259	30.9	330	273	31.7	335	284	32.0	337	289	32.1		
	70	314	248	30.7	331	257	31.8	339	262	32.3	312	264	32.5	317	259	30.9	334	268	32.0	342	272	32.5	345	274	32.7		
90	65	307	245	31.8	319	265	32.5	324	281	32.9	326	288	33.1	310	256	32.0	322	275	32.8	328	291	33.1	330	298	33.3		
	70	307	245	31.8	323	259	32.9	331	269	33.4	334	274	33.6	310	256	32.0	327	270	33.1	334	280	33.6	337	284	33.8		
	73	307	245	31.8	326	256	33.1	336	261	33.7	339	264	33.9	310	256	32.0	329	266	33.3	338	272	33.9	342	275	34.1		
	75	307	245	31.8	328	253	33.2	339	256	33.9	343	257	34.2	310	256	32.0	331	263	33.4	341	267	34.1	345	268	34.3		
95	65	300	242	32.8	311	267	33.9	317	287	34.1	319	297	34.2	303	253	33.0	314	277	33.9	321	298	34.3	323	307	34.4		
	70	300	242	32.8	315	261	33.9	323	276	34.4	325	283	34.6	303	253	33.0	319	272	34.1	326	287	34.6	328	294	34.8		
	75	300	242	32.8	321	255	34.3	330	263	35.0	334	267	35.2	303	253	33.0	323	265	34.5	333	274	35.1	-	-	-		
	80	300	242	32.8	325	249	34.6	-	-	-	-	-	-	303	253	33.0	328	258	34.8	-	-	-	-	-	-		
100	70	293	240	33.8	307	263	34.9	315	283	35.5	318	292	35.7	296	250	34.1	310	274	35.2	318	294	35.7	321	303	35.9		
	75	293	240	33.8	312	257	35.3	322	271	36.0	326	277	36.3	296	250	34.1	315	268	35.5	324	281	36.2	-	-	-		
	78	293	240	33.8	315	253	35.5	327	263	36.4	-	-	-	296	250	34.1	318	263	35.7	-	-	-	-	-	-		
105	70	286	237	34.8	300	266	35.9	309	290	36.6	311	302	36.8	289	247	35.1	303	276	36.1	311	300	36.8	314	312	37.0		
	75	286	237	34.8	304	259	36.3	313	278	37.0	-	-	-	289	247	35.1	307	270	36.5	316	289	37.2	-	-	-		
110	78	279	234	35.7	300	257	37.4	-	-	-	-	-	-	282	244	36.0	302	268	37.6	-	-	-	-	-	-		
115	75	273	231	36.6	289	264	38.0	300	293	38.9	-	-	-	276	241	36.8	292	275	38.3	-	-	-	-	-	-		

Kw - Compressor Motor Power Input  
SHC - Sensible Heat Capacity (1000 Btuh)  
TC - Total Capacity (1000 Btuh)

NOTES: 1. No values are given where unit cannot maintain the assumed room design relative humidity since the moisture content of the air leaving the unit is higher than the assumed room moisture content  
2. Ratings are gross and do not include fan motor heat deduction.

Performance data  
Room Design 75 F/50% Rh

COOLING CAPACITIES  
48MA/50ME034

OUTDOOR AIR TEMP		TOTAL UNIT CFM																							
		9,000												10,000											
		Outdoor Air Cfm												Outdoor Air Cfm											
		0			1000			2000			2500			0			1000			2000			2500		
Db	Wb	TC	SHC	Kw	TC	SHC	Kw	TC	SHC	Kw	TC	SHC	Kw	TC	SHC	Kw	TC	SHC	Kw	TC	SHC	Kw	TC	SHC	Kw
85	65	314	231	28.6	326	246	29.2	333	257	29.6	336	262	29.7	320	243	28.9	331	257	29.5	338	268	29.8	341	273	30.0
	70	314	231	28.6	332	240	29.5	342	245	30.0	347	247	30.3	320	243	28.9	337	251	29.8	348	257	30.3	352	259	30.5
90	65	307	228	29.6	318	248	30.3	325	264	30.6	327	272	30.8	313	240	29.9	324	259	30.6	330	276	30.9	338	288	31.3
	70	307	228	29.6	324	242	30.6	334	253	31.1	339	257	31.4	313	240	29.9	329	253	30.9	340	264	31.4	343	269	31.6
	73	307	228	29.6	328	239	30.8	341	245	31.5	346	248	31.7	313	240	29.9	333	250	31.0	345	257	31.7	350	260	32.0
	75	307	228	29.6	330	236	30.9	345	240	31.7	351	242	32.0	313	240	29.9	335	247	31.2	349	251	31.9	355	253	32.2
95	65	300	225	30.7	311	250	31.3	322	275	32.0	325	286	32.2	305	237	31.0	319	264	31.8	328	287	32.3	331	297	32.5
	70	300	225	30.7	316	244	31.6	326	260	32.2	330	267	32.4	305	237	31.0	321	256	31.9	331	271	32.5	335	279	32.7
	75	300	225	30.7	322	238	32.0	336	247	32.8	342	252	33.1	305	237	31.0	327	249	32.3	340	259	33.0	346	263	33.3
	80	300	225	30.7	326	234	32.2	343	239	33.2	350	241	33.6	305	237	31.0	330	245	32.5	347	250	33.4	353	253	33.7
100	65	293	222	31.8	308	246	32.7	318	267	33.3	321	277	33.5	298	233	32.1	313	257	33.0	322	279	33.6	326	289	33.8
	70	293	222	31.8	314	240	33.1	328	254	33.9	333	261	34.2	298	233	32.1	318	251	33.3	331	266	34.1	337	273	34.4
	75	293	222	31.8	318	236	33.3	334	246	34.3	341	251	34.7	298	233	32.1	322	247	33.6	338	258	34.5	344	263	34.9
	80	293	222	31.8	318	236	33.3	334	246	34.3	341	251	34.7	298	233	32.1	322	247	33.6	338	258	34.5	344	263	34.9
105	65	285	219	32.8	300	248	33.8	314	278	34.7	319	291	35.0	290	230	33.1	304	259	34.1	318	290	35.0	323	302	35.2
	75	285	219	32.8	306	242	34.1	319	262	35.0	324	271	35.3	290	230	33.1	310	253	34.4	322	273	35.0	328	283	35.5
110	78	278	215	33.8	301	240	35.4	316	261	36.4	-	-	-	283	227	34.1	305	251	35.7	319	272	36.6	-	-	-
115	75	271	212	34.7	290	246	36.1	306	280	37.3	312	295	37.8	275	224	35.1	293	257	36.4	309	292	37.6	315	307	38.0

OUTDOOR AIR TEMP		TOTAL UNIT CFM																							
		11,000												12,000											
		Outdoor Air Cfm												Outdoor Air Cfm											
		0			1000			2000			2500			0			1000			2000			2500		
Db	Wb	TC	SHC	Kw	TC	SHC	Kw	TC	SHC	Kw	TC	SHC	Kw	TC	SHC	Kw	TC	SHC	Kw	TC	SHC	Kw	TC	SHC	Kw
85	65	325	254	29.1	336	268	29.7	343	279	30.1	345	285	30.2	329	264	29.3	340	279	29.9	347	290	30.3	349	295	30.4
	70	325	254	29.1	341	262	30.0	352	268	30.5	355	270	30.7	329	264	29.3	345	273	30.2	355	279	30.7	359	281	30.9
90	65	318	251	30.2	328	270	30.8	335	287	31.1	342	299	31.5	322	261	30.4	332	281	31.0	339	297	31.3	346	310	31.7
	70	318	251	30.2	334	264	31.1	343	275	31.6	347	280	31.8	322	261	30.4	337	275	31.3	347	286	31.8	350	291	32.0
	73	318	251	30.2	337	261	31.3	349	268	31.9	354	271	32.1	322	261	30.4	341	272	31.4	352	279	32.0	357	282	32.3
	75	318	251	30.2	339	258	31.4	353	262	32.1	358	264	32.4	322	261	30.4	343	269	31.6	355	273	32.2	361	275	32.5
95	65	310	247	31.3	324	275	32.1	332	298	32.5	335	308	32.7	314	258	31.5	328	286	32.3	336	309	32.8	338	319	32.9
	70	310	247	31.3	325	267	32.2	334	282	32.7	338	290	32.9	314	258	31.5	334	271	32.7	347	280	33.4	351	285	33.6
	75	310	247	31.3	331	260	32.5	344	270	33.2	349	274	33.5	314	258	31.5	334	271	32.7	347	280	33.4	351	285	33.6
	80	310	247	31.3	334	256	32.7	350	262	33.5	-	-	-	314	258	31.5	337	267	32.9	352	272	33.7	-	-	-
100	65	302	244	32.4	317	268	33.2	326	290	33.8	334	304	34.3	306	255	32.6	320	279	33.5	329	300	34.0	337	315	34.4
	75	302	244	32.4	322	262	33.6	335	277	34.3	340	284	34.6	306	255	32.6	325	273	33.8	337	288	34.5	342	295	34.8
	80	302	244	32.4	325	258	33.8	340	269	34.7	-	-	-	306	255	32.6	328	269	34.0	-	-	-	-	-	-
105	65	294	241	33.4	308	270	34.3	322	301	35.2	326	313	35.4	298	251	33.6	311	281	34.5	325	312	35.4	329	324	35.6
	75	294	241	33.4	313	264	34.6	325	284	35.4	330	294	35.7	298	251	33.6	316	275	34.8	328	295	35.6	-	-	-
110	78	287	238	34.4	308	262	35.9	-	-	-	-	-	-	290	248	34.6	311	273	36.1	-	-	-	-	-	-
115	75	279	234	35.4	296	268	36.6	312	303	37.8	-	-	-	282	245	35.6	299	279	36.8	-	-	-	-	-	-



Performance data  
Room Design 75 F/50% Rh

COOLING CAPACITIES  
48MA/50ME040

OUTDOOR AIR TEMP		TOTAL UNIT CFM																							
		11,000												12,000											
		Outdoor Air Cfm												Outdoor Air Cfm											
Db	Wb	0			1000			2000			3000			0			1000			2000			3000		
		TC	SHC	Kw	TC	SHC	Kw	TC	SHC	Kw	TC	SHC	Kw	TC	SHC	Kw	TC	SHC	Kw	TC	SHC	Kw	TC	SHC	Kw
85	65	367	262	36.8	402	294	39.0	416	311	40.2	420	322	40.8	368	268	36.8	406	302	39.1	423	323	40.4	427	335	41.0
	70	367	262	36.8	410	290	39.5	426	300	40.8	434	305	41.6	368	268	36.8	414	300	39.7	432	312	41.0	441	318	41.9
90	65	364	263	38.3	394	297	40.4	403	316	41.6	404	330	42.3	366	270	38.4	399	307	40.6	410	328	41.8	411	343	42.5
	70	364	263	38.3	401	293	40.9	412	304	42.3	418	314	43.1	366	270	38.4	406	303	41.1	418	317	42.5	425	326	43.3
	73	364	263	38.3	408	291	41.4	419	298	42.8	427	303	43.7	366	270	38.4	413	303	41.7	426	310	43.0	434	315	43.9
	75	364	263	38.3	413	290	41.5	425	293	43.1	434	295	44.1	366	270	38.4	419	302	41.8	431	305	43.4	440	308	44.2
95	65	361	264	39.8	386	300	41.8	390	321	43.1	388	339	43.8	364	272	39.9	392	312	42.0	397	334	43.3	398	351	44.1
	70	361	264	39.8	392	295	42.3	398	309	43.8	402	323	44.6	364	272	39.9	398	307	42.6	404	322	44.0	409	335	44.8
	75	361	264	39.8	398	289	43.1	408	296	44.6	416	304	45.6	364	272	39.9	404	301	43.3	414	308	44.9	423	316	45.8
	80	361	264	39.8	405	282	43.6	418	281	45.6	433	284	46.7	364	272	39.9	411	294	43.8	423	293	45.8	438	296	46.9
100	70	355	264	41.3	397	294	43.9	381	313	45.4	384	331	46.3	359	273	41.5	384	306	44.2	387	325	45.6	390	342	46.5
	75	355	264	41.3	383	288	44.6	390	300	46.2	399	313	47.2	359	273	41.5	389	300	44.8	396	311	46.5	404	325	47.4
	78	355	264	41.3	387	284	44.9	397	291	46.7	410	302	47.8	359	273	41.5	393	296	45.1	402	303	47.0	414	313	48.0
105	70	351	263	42.8	365	294	45.5	364	316	46.9	366	338	48.0	354	271	43.0	371	306	45.7	370	327	47.1	371	349	48.3
	75	351	263	42.8	368	287	46.1	373	303	47.8	381	322	48.8	354	271	43.0	374	299	46.3	378	314	48.0	385	333	49.0
110	78	342	260	44.3	354	280	48.2	360	298	50.1	373	319	51.4	347	269	44.6	359	291	48.4	366	309	50.3	376	330	51.5
115	75	334	257	45.8	336	283	49.4	338	309	51.3	347	336	52.9	339	269	46.1	342	295	49.7	343	320	51.6	353	347	53.1

OUTDOOR AIR TEMP		TOTAL UNIT CFM																							
		13,000												14,000											
		Outdoor Air Cfm												Outdoor Air Cfm											
Db	Wb	0			1000			2000			3000			0			1000			2000			3000		
		TC	SHC	Kw	TC	SHC	Kw	TC	SHC	Kw	TC	SHC	Kw	TC	SHC	Kw	TC	SHC	Kw	TC	SHC	Kw	TC	SHC	Kw
85	65	371	273	36.9	409	310	39.2	426	333	40.5	432	345	41.1	374	279	37.1	412	318	39.4	429	342	40.6	438	356	41.3
	70	371	273	36.9	417	307	39.8	437	322	41.2	446	329	42.0	374	279	37.1	420	315	39.9	442	333	41.4	451	340	42.2
90	65	369	276	38.5	402	315	40.7	415	339	42.0	417	354	42.7	371	282	38.6	405	323	40.8	419	349	42.1	422	364	42.8
	70	369	276	38.5	409	312	41.2	423	328	42.6	430	338	43.5	371	282	38.6	412	321	41.4	429	339	42.8	435	349	43.6
	73	369	276	38.5	416	311	41.7	431	321	43.2	439	327	44.0	371	282	38.6	419	320	41.8	439	332	43.3	443	338	44.2
	75	369	276	38.5	423	312	41.8	436	316	43.4	445	319	44.3	371	282	38.6	427	322	41.9	440	328	43.5	449	330	44.5
95	65	367	279	40.0	395	320	42.1	403	345	43.4	401	362	44.2	369	286	40.1	397	328	42.2	409	356	43.5	409	373	44.4
	70	367	279	40.0	401	316	42.7	410	333	44.1	414	347	45.0	369	286	40.1	405	326	42.9	416	345	44.2	418	358	45.1
	75	367	279	40.0	408	311	43.4	418	319	45.0	427	328	46.0	369	286	40.1	412	321	43.5	422	330	45.2	431	339	46.1
	80	367	279	40.0	412	307	43.7	423	310	45.5	436	315	46.6	369	286	40.1	416	317	43.8	428	321	45.7	438	326	46.7
100	70	367	279	40.0	415	304	44.0	427	304	45.9	442	307	47.0	369	286	40.1	419	315	44.1	431	315	46.0	445	317	47.1
	75	362	280	41.6	388	317	44.3	393	336	45.7	395	353	46.7	364	287	41.7	393	327	44.5	398	347	45.9	400	364	46.9
	78	362	280	41.6	394	310	45.0	400	322	46.6	408	336	47.6	364	287	41.7	398	321	45.1	405	333	46.8	413	347	47.7
105	70	357	281	43.1	376	317	45.9	375	338	47.3	376	359	48.4	359	289	43.2	380	328	46.1	380	349	47.5	382	369	48.6
	75	357	281	43.1	379	310	46.5	383	325	48.2	390	344	49.2	359	289	43.2	384	321	46.7	388	335	48.4	395	355	49.3
110	78	349	279	44.7	364	302	48.6	371	320	50.5	380	341	51.7	352	288	44.8	368	313	48.8	377	330	50.7	385	351	51.8
115	75	342	278	46.3	347	305	49.9	350	331	51.7	359	354	53.3	345	287	46.4	352	316	50.1	357	343	51.8	365	362	53.6

Kw - Compressor Motor Power Input  
SHC - Sensible Heat Capacity (1000 Btuh)  
TC - Total Capacity (1000 Btuh)

NOTES: 1. No values are given where unit cannot maintain the assumed room design relative humidity since the moisture content of the air leaving the unit is higher than the assumed room moisture content  
2. Ratings are gross and do not include fan motor heat deduction

Performance data  
Room Design 78 F/50% Rh

COOLING CAPACITIES  
48MA/50ME016

OUTDOOR AIR TEMP		TOTAL UNIT CFM																										
		5,000								6,000								7,000										
		Outdoor Air Cfm				Outdoor Air Cfm				Outdoor Air Cfm				Outdoor Air Cfm				Outdoor Air Cfm				Outdoor Air Cfm						
Db	Wb	TC	SHC	Kw	TC	SHC	Kw	TC	SHC	Kw	TC	SHC	Kw	TC	SHC	Kw	TC	SHC	Kw	TC	SHC	Kw	TC	SHC	Kw			
85	65	183	132	15.5	186	141	15.7	188	148	15.8	188	144	15.8	192	153	16.0	193	160	16.0	192	156	16.0	195	164	16.1	197	171	16.2
	70	183	132	15.5	190	136	15.9	194	139	16.1	188	144	15.8	194	148	16.1	193	151	16.3	192	156	16.0	198	160	16.3	202	163	16.4
90	65	178	131	16.1	182	143	16.3	183	154	16.4	183	143	16.4	187	155	16.5	188	166	16.6	187	154	16.6	190	166	16.7	192	177	16.8
	70	178	131	16.1	185	138	16.5	189	145	16.7	183	143	16.4	189	150	16.7	193	157	16.9	187	154	16.6	193	162	16.9	196	169	17.0
	73	178	131	16.1	187	136	16.6	193	139	16.9	183	143	16.4	191	148	16.8	196	151	17.0	187	154	16.6	194	159	16.9	199	163	17.2
	75	178	131	16.1	188	134	16.6	195	135	17.0	183	143	16.4	193	146	16.9	198	148	17.2	187	154	16.6	196	157	17.0	201	159	17.3
95	65	174	129	16.7	177	145	16.9	179	160	17.0	178	141	17.0	182	157	17.1	183	172	17.2	182	152	17.1	185	168	17.3	186	184	17.4
	70	174	129	16.7	180	140	17.0	184	151	17.3	178	141	17.0	184	152	17.3	188	163	17.5	182	152	17.1	188	164	17.5	191	175	17.6
	75	174	129	16.7	183	136	17.2	190	141	17.6	178	141	17.0	187	148	17.4	193	154	17.8	182	152	17.1	190	159	17.6	195	165	17.9
	78	174	129	16.7	186	133	17.4	194	135	17.7	178	141	17.0	189	145	17.6	-	-	-	182	152	17.1	192	156	17.7	-	-	-
100	65	174	129	16.7	187	130	17.4	196	131	17.8	178	141	17.0	191	142	17.6	-	-	-	182	152	17.1	193	154	17.8	-	-	-
	70	169	127	17.3	175	143	17.6	179	157	17.8	174	139	17.5	179	155	17.9	183	169	18.1	177	150	17.7	182	166	18.0	185	181	18.2
	75	169	127	17.3	178	138	17.8	185	148	18.2	174	139	17.5	182	150	18.0	188	160	18.3	177	150	17.7	185	161	18.2	-	-	-
	78	169	127	17.3	181	135	17.9	188	141	18.4	174	139	17.5	184	147	18.1	-	-	-	177	150	17.7	187	158	18.3	-	-	-
105	70	165	125	17.8	170	145	18.2	174	163	18.4	169	137	18.1	174	157	18.4	177	175	18.6	172	148	18.3	177	168	18.6	180	180	18.8
	75	165	125	17.8	173	140	18.4	179	154	18.8	169	137	18.1	177	152	18.6	182	166	18.9	172	148	18.3	179	163	18.8	-	-	-
110	78	160	123	18.4	170	139	19.1	178	154	19.5	164	135	18.6	174	151	19.3	-	-	-	167	146	18.8	176	162	19.4	-	-	-
	75	156	121	18.9	164	144	19.5	169	166	19.9	159	133	19.2	167	156	19.7	-	-	-	162	144	19.4	169	168	19.9	-	-	-

48MA/50ME024

OUTDOOR AIR TEMP		TOTAL UNIT CFM																										
		6,000								7,500								9,000										
		Outdoor Air Cfm				Outdoor Air Cfm				Outdoor Air Cfm				Outdoor Air Cfm				Outdoor Air Cfm				Outdoor Air Cfm						
Db	Wb	TC	SHC	Kw	TC	SHC	Kw	TC	SHC	Kw	TC	SHC	Kw	TC	SHC	Kw	TC	SHC	Kw	TC	SHC	Kw	TC	SHC	Kw	TC	SHC	Kw
85	65	220	158	18.9	227	167	19.2	230	175	19.4	228	176	19.3	235	185	19.6	238	193	19.8	234	192	19.6	240	202	19.9	243	210	20.1
	70	220	158	18.9	231	163	19.4	236	167	19.7	228	176	19.3	238	181	19.8	243	184	20.1	234	192	19.6	243	198	20.1	248	210	20.3
90	65	216	156	19.7	222	169	20.0	225	181	20.2	223	174	20.1	229	187	20.4	233	199	20.6	229	190	20.4	234	204	20.7	238	215	20.9
	70	216	156	19.7	226	165	20.2	231	172	20.5	223	174	20.1	233	183	20.6	238	190	20.9	229	190	20.4	238	200	20.9	242	207	21.2
	73	216	156	19.7	228	163	20.4	235	167	20.8	223	174	20.1	235	180	20.7	241	185	21.1	229	190	20.4	240	197	21.0	246	202	21.3
	75	216	156	19.7	230	161	20.5	238	163	20.9	223	174	20.1	236	178	20.8	244	181	21.2	229	190	20.4	241	195	21.1	248	198	21.5
95	65	211	154	20.4	217	171	20.8	220	187	21.0	218	172	20.9	224	189	21.2	228	204	21.4	223	188	21.2	230	206	21.5	233	221	21.8
	70	211	154	20.4	220	167	21.0	226	178	21.3	218	172	20.9	227	185	21.4	232	196	21.7	223	188	21.2	232	201	21.7	236	213	22.0
	75	211	154	20.4	224	163	21.2	232	169	21.7	218	172	20.9	231	180	21.6	238	187	22.0	223	188	21.2	235	197	21.9	242	204	22.3
	78	211	154	20.4	227	160	21.4	237	163	22.0	218	172	20.9	233	177	21.8	242	181	22.3	223	188	21.2	237	194	22.0	-	-	-
100	65	206	152	21.2	215	169	21.7	220	184	22.1	213	170	21.6	220	187	22.2	227	202	22.5	218	186	21.9	226	203	22.5	231	218	22.8
	70	206	152	21.2	219	164	22.0	227	175	22.5	213	170	21.6	225	182	22.4	232	193	22.8	218	186	21.9	229	199	22.7	236	209	23.1
	75	206	152	21.2	221	161	22.2	231	169	22.8	213	170	21.6	227	179	22.5	236	187	23.1	218	186	21.9	231	196	22.8	-	-	-
	78	206	152	21.2	225	157	21.5	240	159	22.2	218	172	20.9	235	175	21.9	244	176	22.4	223	188	21.2	239	192	22.1	-	-	-
105	70	201	150	21.9	210	171	22.5	215	190	22.9	208	167	22.4	216	188	22.9	221	207	23.3	213	184	22.7	221	205	23.2	226	224	23.6
	75	201	150	21.9	213	166	22.7	221	181	23.2	208	167	22.4	219	184	23.1	226	198	23.6	213	184	22.7	223	201	23.4	229	215	23.8
	78	196	148	22.6	210	165	23.6	219	181	24.2	203	165	23.1	216	183	24.0	223	198	24.6	207	182	23.4	219	199	24.3	-	-	-
	75	191	146	23.3	202	170	24.1	210	192	24.7	197	163	23.8	207	187	24.5	214	209	25.1	202	180	24.1	211	204	24.8	-	-	-

48MA/50ME028

OUTDOOR AIR TEMP		TOTAL UNIT CFM																										
		8,000								10,000								12,000										
		Outdoor Air Cfm				Outdoor Air Cfm				Outdoor Air Cfm				Outdoor Air Cfm				Outdoor Air Cfm				Outdoor Air Cfm						
Db	Wb	TC	SHC	Kw	TC	SHC	Kw	TC	SHC	Kw	TC	SHC	Kw	TC	SHC	Kw	TC	SHC	Kw	TC	SHC	Kw	TC	SHC	Kw	TC	SHC	Kw
85	65	282	205	24.9	290	218	25.4	294	227	25.6	292	228	25.4	300	241	25.9	303	251	26.0	298	250	25.8	306	262	26.2	309	272	26.4
	70	282	205	24.9	295	212	25.6	302	216	26.0	292	228	25.4	304	235	26.1	310	239	26.4	298	250	25.8	310	257	26.4	316	261	26.7
90	65	276	203	25.9	284	220	26.3	287	235	26.5	285	225	26.4	293	243	26.8	296	258	27.0	292	247	26.8	299	265	27.2	302	280	27.3
	70	276	203	25.9	288	215	26.6	294	224	26.9	285	225	26.4	297	238	27.1	302	247	27.4	292	247	26.8	303	259	27.4	308	269	27.7
	73	276	203	25.9	291	211	26.7	299	216	27.2	285	225	26.4	299	234	27.2	301	240	27.6	292	247	26.8	3					

Performance data  
Room Design 78 F/50% Rh

COOLING CAPACITIES  
48MA/50ME030

OUTDOOR AIR TEMP		TOTAL UNIT CFM																										
		8,000												10,000														
		Outdoor Air Cfm												Outdoor Air Cfm														
		0			1000			2000			2500			0			1000			2000			2500					
Db	Wb	TC	SHC	Kw	TC	SHC	Kw	TC	SHC	Kw	TC	SHC	Kw	TC	SHC	Kw	TC	SHC	Kw	TC	SHC	Kw	TC	SHC	Kw			
85	65	310	217	30.5	321	231	31.2	325	241	31.4	327	246	31.5	321	241	31.2	333	254	31.9	337	265	32.2	338	269	32.2	347	255	32.8
	70	310	217	30.5	327	226	31.5	334	230	32.0	337	232	32.2	321	241	31.2	338	249	32.2	345	253	32.6	347	255	32.8			
90	65	304	215	31.5	314	234	32.2	318	249	32.5	320	256	32.6	315	238	32.3	325	257	33.0	329	272	33.3	331	279	33.4	339	265	33.9
	70	304	215	31.5	319	228	32.6	327	237	33.1	329	242	33.3	315	238	32.3	330	251	33.3	336	261	33.7	339	265	34.3	344	256	34.3
	73	304	215	31.5	323	224	32.8	332	230	33.5	336	232	33.7	315	238	32.3	333	248	33.5	341	253	34.1	344	256	34.3	348	250	34.5
	75	304	215	31.5	325	222	33.0	336	225	33.7	340	226	34.0	315	238	32.3	335	245	33.6	345	248	34.3	348	250	34.5			
95	65	297	212	32.6	307	236	33.3	312	256	33.7	313	266	33.8	308	235	33.4	318	259	34.1	323	279	34.4	324	288	34.5	330	275	35.0
	70	297	212	32.6	312	230	33.7	319	245	34.2	321	252	34.3	308	235	33.4	322	253	34.4	328	268	34.8	330	275	35.0			
	75	297	212	32.6	317	224	34.1	328	232	34.8	332	236	35.1	308	235	33.4	327	247	34.7	336	256	35.4	340	260	35.6	346	250	36.0
	78	297	212	32.6	321	220	34.3	334	224	35.2	339	226	35.6	308	235	33.4	330	243	34.9	341	248	35.7	346	250	36.0	350	243	36.3
100	70	291	209	33.7	304	233	34.7	311	252	35.2	314	262	35.4	301	232	34.4	314	256	35.4	321	275	35.9	323	284	36.1	337	270	36.7
	75	291	209	33.7	310	226	35.1	320	240	35.9	324	246	36.2	301	232	34.4	319	250	35.8	328	263	36.4	331	270	36.7			
	78	291	209	33.7	313	222	35.4	326	232	36.3	331	236	36.7	301	232	34.4	322	246	36.0	333	255	36.8	337	260	37.1			
105	70	284	206	34.7	297	235	35.7	305	260	36.3	308	271	36.5	294	229	35.4	306	258	36.4	314	283	37.0	316	294	37.2	337	270	37.7
	75	284	206	34.7	302	229	36.1	312	248	36.9	316	256	37.2	294	229	35.4	311	252	36.8	320	271	37.5	323	279	37.7			
110	78	278	204	35.6	298	227	37.3	310	247	38.3	315	257	38.7	287	226	36.4	306	250	38.0	316	271	38.8	320	280	39.1			
115	75	272	201	36.5	288	234	37.9	298	263	38.8	303	277	39.2	280	224	37.3	296	257	38.6	305	285	39.5	309	299	39.8			

OUTDOOR AIR TEMP		TOTAL UNIT CFM																										
		11,000												12,000														
		Outdoor Air Cfm												Outdoor Air Cfm														
		0			1000			2000			2500			0			1000			2000			2500					
Db	Wb	TC	SHC	Kw	TC	SHC	Kw	TC	SHC	Kw	TC	SHC	Kw	TC	SHC	Kw	TC	SHC	Kw	TC	SHC	Kw	TC	SHC	Kw	TC	SHC	Kw
85	65	326	252	31.4	337	265	32.1	341	276	32.4	342	280	32.5	329	262	31.7	340	276	32.4	344	287	32.6	346	291	32.7	354	277	33.2
	70	326	252	31.4	342	260	32.4	348	265	32.9	351	266	33.0	329	262	31.7	345	271	32.7	351	275	33.1	354	277	33.2			
90	65	319	249	32.6	329	267	33.2	334	283	33.5	335	290	33.6	322	260	32.8	332	279	33.5	337	294	33.8	339	301	33.9	345	287	34.3
	70	319	249	32.6	333	262	33.5	340	272	34.0	342	276	34.1	322	260	32.8	337	273	33.7	343	283	34.2	345	287	34.3	350	278	34.7
	73	319	249	32.6	336	259	33.7	345	265	34.3	348	267	34.5	322	260	32.8	339	269	33.9	397	276	34.5	350	278	34.7	354	271	34.9
	75	319	249	32.6	338	256	33.9	348	260	34.5	351	261	34.7	322	260	32.8	341	267	34.1	351	271	34.7	354	271	34.9			
95	65	312	246	33.6	322	270	34.4	327	290	34.7	328	299	34.8	315	257	33.9	325	281	34.6	330	301	34.9	332	309	35.0	337	297	35.4
	70	312	246	33.6	325	264	34.6	332	279	35.1	334	286	35.2	315	257	33.9	328	275	34.8	335	290	35.3	337	297	35.4	342	278	35.8
	75	312	246	33.6	330	258	35.0	339	267	35.6	343	271	35.8	315	257	33.9	333	269	35.2	342	278	35.8	345	282	36.0			
	78	312	246	33.6	333	254	35.2	344	259	35.9	348	261	36.2	315	257	33.9	336	265	35.4	346	270	36.1	—	—	—			
100	70	312	246	33.6	335	252	35.3	347	253	36.2	—	—	—	315	257	33.9	338	262	35.5	349	264	36.3	—	—	—			
	75	304	243	34.7	317	267	35.7	324	286	36.2	327	295	36.3	308	254	34.9	320	277	35.9	327	297	36.4	329	306	36.6	337	292	37.1
	78	304	243	34.7	322	261	36.0	331	274	36.7	334	281	36.9	308	254	34.9	325	271	36.2	333	285	36.8	336	292	37.1			
105	70	304	243	34.7	325	257	36.7	335	266	37.0	339	271	37.3	308	254	34.9	328	267	36.4	338	277	37.2	—	—	—			
	75	297	240	35.7	310	269	36.7	317	294	37.3	320	305	37.5	301	251	36.0	313	280	36.9	320	304	37.5	322	315	37.7	337	292	38.1
110	78	290	238	36.7	309	261	38.2	319	282	39.0	—	—	—	301	251	36.0	317	274	37.2	325	303	37.9	327	301	38.1			
	75	284	235	37.6	299	268	38.9	308	296	39.7	312	310	40.0	287	246	37.8	301	279	39.1	310	307	39.9	314	314	40.2			

Kw — Compressor Motor Power Input  
SHC — Sensible Heat Capacity (1000 Btuh)  
TC — Total Capacity (1000 Btuh)

NOTES: 1. No values are given where unit cannot maintain the assumed room design relative humidity since the moisture content of the air leaving the unit is higher than the assumed room moisture content.  
2. Ratings are gross and do not include fan motor heat deduction.

Performance data  
Room Design 78 F/50% Rh

COOLING CAPACITIES  
48MA/50ME034

OUTDOOR AIR TEMP		TOTAL UNIT CFM																																						
		10,000												11,000																										
		Outdoor Air Cfm												Outdoor Air Cfm																										
Db	Wb	0			1000			2000			2500			0			1000			2000			2500																	
		TC	SHC	Kw	TC	SHC	Kw	TC	SHC	Kw	TC	SHC	Kw	TC	SHC	Kw	TC	SHC	Kw	TC	SHC	Kw	TC	SHC	Kw															
85	65	333	246	29.6	343	260	30.1	349	271	30.3	350	276	30.4	338	258	29.8	348	271	30.3	353	282	30.6	355	287	30.7	338	258	29.8	348	271	30.3	353	282	30.6	355	287	30.7			
	70	333	246	29.6	349	254	30.4	357	260	30.8	361	262	31.0	338	258	29.8	353	266	30.6	362	271	31.0	365	273	31.2	338	258	29.8	353	266	30.6	362	271	31.0	365	273	31.2			
90	65	326	243	30.7	335	262	31.2	340	278	31.4	347	290	31.8	331	255	30.9	340	273	31.4	349	293	31.9	351	301	32.0	331	255	30.9	345	268	31.7	353	279	32.1	356	283	32.3			
	70	326	243	30.7	341	257	31.5	349	267	31.9	352	272	32.1	331	255	30.9	345	268	31.7	353	279	32.1	356	283	32.3	331	255	30.9	349	265	31.9	359	271	32.4	363	274	32.6			
	73	326	243	30.7	344	253	31.6	355	260	32.2	359	263	32.4	331	255	30.9	349	265	31.9	359	271	32.4	363	274	32.6	331	255	30.9	351	262	32.0	363	266	32.6	367	268	32.8			
	75	326	243	30.7	346	251	31.8	359	255	32.4	364	256	32.7	331	255	30.9	351	262	32.0	363	266	32.6	367	268	32.8	331	255	30.9	351	262	32.0	363	266	32.6	367	268	32.8			
95	65	319	240	31.8	331	267	32.5	337	289	32.9	340	299	33.0	323	252	32.1	336	278	32.7	342	301	33.1	345	311	33.2	323	252	32.1	337	270	32.8	345	286	33.2	347	293	33.4	349	298	33.4
	70	319	240	31.8	333	259	32.6	341	274	33.0	344	282	33.2	323	252	32.1	337	270	32.8	345	286	33.2	347	293	33.4	323	252	32.1	337	270	32.8	345	286	33.2	347	293	33.4			
	75	319	240	31.8	338	253	32.9	350	262	33.5	354	266	33.8	323	252	32.1	342	264	33.1	353	273	33.7	358	278	34.0	323	252	32.1	342	264	33.1	353	273	33.7	358	278	34.0			
	78	319	240	31.8	342	249	33.1	356	254	33.9	362	256	34.2	323	252	32.1	346	260	33.3	359	266	34.1	365	268	34.4	323	252	32.1	346	260	33.3	359	266	34.1	365	268	34.4			
100	65	319	240	31.8	344	246	33.2	360	249	34.1	367	250	34.5	323	252	32.1	348	258	33.4	363	260	34.3	370	261	34.6	323	252	32.1	348	258	33.4	363	260	34.3	370	261	34.6			
	70	311	237	32.9	324	261	33.7	331	282	34.1	339	296	34.6	315	248	33.2	328	272	33.9	335	293	34.4	343	307	34.8	315	248	33.2	333	266	34.2	344	281	34.9	348	288	35.1			
	75	311	237	32.9	329	255	34.0	341	269	34.7	345	276	34.9	315	248	33.2	333	266	34.2	344	281	34.9	348	288	35.1	315	248	33.2	333	266	34.2	344	281	34.9	348	288	35.1			
	78	311	237	32.9	333	251	34.2	347	261	35.0	352	266	35.4	315	248	33.2	336	262	34.4	350	273	35.2	355	278	35.5	315	248	33.2	336	262	34.4	350	273	35.2	355	278	35.5			
105	70	303	234	34.0	315	263	34.8	328	293	35.6	331	305	35.8	307	245	34.2	322	277	35.2	331	304	35.8	339	316	36.0	307	245	34.2	322	277	35.2	331	304	35.8	339	316	36.0			
	75	303	234	34.0	321	257	35.1	331	277	35.8	335	286	36.1	307	245	34.2	324	268	35.3	334	288	36.0	339	297	36.3	307	245	34.2	324	268	35.3	334	288	36.0	339	297	36.3			
110	78	295	231	35.0	315	255	36.4	328	276	37.2	333	286	37.6	299	242	35.3	319	266	36.6	330	287	37.4	-	-	-	299	242	35.3	319	266	36.6	330	287	37.4	-	-	-			
	75	287	228	36.0	304	261	37.1	318	295	38.2	323	310	38.6	291	239	36.3	307	272	37.4	321	307	38.4	325	321	38.8	291	239	36.3	307	272	37.4	321	307	38.4	325	321	38.8			

OUTDOOR AIR TEMP		TOTAL UNIT CFM																																			
		12,000												13,000																							
		Outdoor Air Cfm												Outdoor Air Cfm																							
Db	Wb	0			1000			2000			2500			0			1000			2000			2500														
		TC	SHC	Kw	TC	SHC	Kw	TC	SHC	Kw	TC	SHC	Kw	TC	SHC	Kw	TC	SHC	Kw	TC	SHC	Kw	TC	SHC	Kw												
85	65	343	269	30.1	352	282	30.5	357	293	30.8	359	298	30.9	346	280	30.2	356	293	30.7	361	304	31.0	363	309	31.1	346	280	30.2	361	288	31.0	369	293	31.4	372	295	31.5
	70	343	269	30.1	358	277	30.8	366	282	31.2	369	284	31.4	346	280	30.2	361	288	31.0	369	293	31.4	372	295	31.5	346	280	30.2	361	288	31.0	369	293	31.4	372	295	31.5
90	65	335	266	31.2	344	284	31.6	354	305	32.1	356	312	32.3	339	277	31.3	347	295	31.8	357	316	32.3	359	323	32.4	339	277	31.3	352	290	32.1	360	300	32.5	363	305	32.6
	70	335	266	31.2	349	279	31.9	357	290	32.3	360	294	32.5	339	277	31.3	355	286	32.2	365	293	32.7	369	296	32.9	339	277	31.3	355	286	32.2	365	293	32.7	369	296	32.9
	73	335	266	31.2	352	276	32.1	362	282	32.6	366	285	32.8	339	277	31.3	357	284	32.3	368	288	32.9	373	290	33.1	339	277	31.3	357	284	32.3	368	288	32.9	373	290	33.1
	75	335	266	31.2	354	273	32.2	366	278	32.8	370	279	33.0	339	277	31.3	357	284	32.3	368	288	32.9	373	290	33.1	339	277	31.3	357	284	32.3	368	288	32.9	373	290	33.1
95	65	327	263	32.3	339	289	33.0	346	312	33.3	348	322	33.5	331	273	32.5	343	300	33.2	349	323	33.5	352	333	33.7	331	273	32.5	343	300	33.2	349	323	33.5	352	333	33.7
	70	327	263	32.3	340	281	33.0	348	297	33.4	350	304	33.6	331	273	32.5	344	292	33.2	351	308	33.6	354	315	33.8	331	273	32.5	344	292	33.2	351	308	33.6	354	315	33.8
	75	327	263	32.3	345	275	33.3	356	285	33.9	361	289	34.1	331	273	32.5	349	286	33.5	359	295	34.1	363	300	34.3	331	273	32.5	349	286	33.5	359	295	34.1	363	300	34.3
	78	327	263	32.3	349	271	33.5	362	277	34.2	367	279	34.5	331	273	32.5	352	282	33.6	364	288	34.3	-	-	-	331	273	32.5	352	282	33.6	364	288	34.3	-	-	-
100	65	327	263	32.3	351	269	33.6	366	271	34.4	-	-	-	331	273	32.5	354	279	33.8	368	282	34.5	-	-	-	331	273	32.5	354	279	33.8	368	282	34.5	-	-	-
	70	319	259	33.4	332	283	34.1	343	308	34.8	346	318	35.0	322	270	33.6	334	294	34.3	346	319	35.0	349	329	35.2	322	270	33.6	334	294	34.3	346	319	35.0	349	329	35.2
	75	319	259	33.4	336	277	34.4	347	292	35.0	351	299	35.3	322	270	33.6	339	288	34.6	349	303	35.2	353	310	35.4	322	270	33.6	339	288	34.6	349	303	35.2	353	310	35.4
	78	319	259	33.4	339	273	34.6	352	284	35.4	357	289	35.7	322	270	33.6	342	284	34.8	354	295	35.5	-	-	-	322	270	33.6	342	284	34.8	354	295	35.5	-	-	-
105	70	311	256	34.5	326	288	35.4	335	315	36.0	338	328	36.2	314	267	34.7	329	299	35.6	337	326	36.2	341	338	36.4	314	267	34.7	329	299	35.6	337	326	36.2	341	338	36.4
	75	311	256	34.5	327	279	35.5	337	299	36.2	341	309	36.4	314	267	34.7	330	290	35.7	340	310	36.3	343	319	36.5	314	267	34.7	330	290	35.7	340	310	36.3	343	319	36.5
110	78	302	253	35.5	321	277	36.8	333	298	37.6	-	-	-	305	264	35.7	323	288	37.0	-	-	-	-														

Performance data  
Room Design 78 F/50% Rh

COOLING CAPACITIES  
48MA/50ME040

OUTDOOR AIR TEMP		TOTAL UNIT CFM																							
		11,000												12,000											
		Outdoor Air Cfm												Outdoor Air Cfm											
		0			1000			2000			3000			0			1000			2000			3000		
Db	Wb	TC	SHC	Kw	TC	SHC	Kw	TC	SHC	Kw	TC	SHC	Kw	TC	SHC	Kw	TC	SHC	Kw	TC	SHC	Kw	TC	SHC	Kw
85	65	372	262	37.9	410	298	39.3	425	318	40.4	431	329	41.1	375	268	37.0	414	307	39.5	431	329	40.7	438	342	41.3
	70	372	262	37.9	417	295	39.8	438	307	41.2	445	312	41.9	375	268	37.0	421	304	39.9	443	320	41.4	452	325	42.1
90	65	371	266	38.5	403	302	40.8	415	324	41.9	417	339	42.6	374	273	38.7	407	312	40.9	421	337	42.2	424	352	42.9
	70	371	266	38.5	411	299	41.3	426	314	42.7	431	323	43.4	374	273	38.7	415	310	41.5	432	327	42.9	437	336	43.6
	73	371	266	38.5	417	298	41.7	433	307	43.2	441	313	44.0	374	273	38.7	422	308	41.9	439	320	43.4	448	326	44.2
	75	371	266	38.5	423	298	41.8	439	303	43.5	448	305	44.4	374	273	38.7	429	306	42.1	445	316	43.8	455	319	44.6
95	65	370	269	40.2	396	306	42.2	405	331	43.4	402	348	44.2	374	277	40.4	400	317	42.4	411	344	43.6	411	361	44.5
	70	370	269	40.2	404	303	42.8	414	320	44.2	416	333	44.9	374	277	40.4	409	315	43.1	420	334	44.4	423	346	45.2
	75	370	269	40.2	411	298	43.4	423	307	45.1	431	315	46.0	374	277	40.4	417	310	43.7	429	320	45.3	438	328	46.2
	78	370	269	40.2	416	295	43.8	429	299	45.6	442	306	46.7	374	277	40.4	421	307	44.0	435	311	45.9	447	316	46.9
100	65	370	269	40.2	420	292	44.0	434	293	46.0	448	295	47.2	374	277	40.4	424	304	44.3	439	306	46.2	454	308	47.3
	70	364	269	41.7	393	304	44.4	398	324	45.8	398	340	46.7	368	277	41.9	398	317	44.6	404	337	46.0	404	353	47.0
	75	364	269	41.7	399	299	45.0	407	311	46.7	414	324	47.7	368	277	41.9	405	311	45.2	414	325	46.9	420	337	47.9
	78	364	269	41.7	404	295	45.4	412	303	47.2	425	312	48.3	368	277	41.9	410	308	45.6	417	315	47.5	429	325	48.5
105	70	359	268	43.2	383	306	46.0	381	328	47.4	381	347	48.5	362	278	43.4	388	319	46.2	388	341	47.7	387	360	48.7
	75	359	268	43.2	386	299	46.6	391	315	48.3	397	333	49.3	362	278	43.4	393	312	46.8	399	329	48.4	402	345	49.5
110	78	352	267	44.8	372	293	48.8	379	311	50.6	387	330	51.9	355	277	45.0	378	306	49.0	385	324	50.8	392	342	52.1
115	75	345	265	46.4	358	298	49.9	356	322	51.9	363	347	53.4	348	275	46.6	363	311	50.2	363	334	52.1	369	358	53.6

OUTDOOR AIR TEMP		TOTAL UNIT CFM																							
		13,000												14,000											
		Outdoor Air Cfm												Outdoor Air Cfm											
		0			1000			2000			3000			0			1000			2000			3000		
Db	Wb	TC	SHC	Kw	TC	SHC	Kw	TC	SHC	Kw	TC	SHC	Kw	TC	SHC	Kw	TC	SHC	Kw	TC	SHC	Kw	TC	SHC	Kw
85	65	378	276	37.2	416	314	39.5	434	337	40.8	442	352	41.4	382	283	37.4	418	321	39.6	437	346	40.9	445	363	41.5
	70	378	276	37.2	424	312	40.0	446	328	41.5	456	336	42.2	382	283	37.4	428	319	40.2	449	337	41.6	459	347	42.4
90	65	377	280	38.8	409	320	41.0	425	346	42.3	429	363	43.1	379	287	39.0	412	327	41.1	429	356	42.4	434	374	43.2
	70	377	280	38.8	418	318	41.6	436	336	43.0	442	347	43.8	379	287	39.0	421	326	41.7	439	346	43.1	448	359	43.9
	73	377	280	38.8	424	317	42.0	444	331	43.6	453	338	44.4	379	287	39.0	427	325	42.1	448	342	43.7	457	349	44.5
	75	377	280	38.8	431	317	42.2	450	328	43.9	460	331	44.7	379	287	39.0	434	326	42.4	454	339	44.0	465	344	44.8
95	65	375	284	40.4	403	325	42.5	416	355	43.8	417	373	44.7	377	291	40.5	405	334	42.6	420	365	43.9	424	385	44.8
	70	375	284	40.4	411	323	43.2	425	345	44.5	429	359	45.3	377	291	40.5	414	332	43.3	429	356	44.7	436	371	45.5
	75	375	284	40.4	420	319	43.8	434	332	45.4	442	340	46.4	377	291	40.5	423	328	43.9	439	344	45.6	447	352	46.5
	78	375	284	40.4	423	316	44.1	439	323	46.0	451	327	47.0	377	291	40.5	426	324	44.2	444	336	46.1	454	339	47.2
100	65	375	284	40.4	427	314	44.4	443	318	46.3	457	319	47.5	377	291	40.5	430	323	44.5	448	330	46.4	459	331	47.6
	70	370	285	42.0	402	326	44.8	409	348	46.2	411	365	47.1	372	292	42.1	406	336	44.9	414	360	46.4	417	377	47.3
	75	370	285	42.0	408	321	45.4	419	336	47.0	424	348	48.0	372	292	42.1	412	331	45.5	423	348	47.2	429	360	48.1
	78	370	285	42.0	413	319	45.7	423	328	47.5	432	336	48.7	372	292	42.1	417	329	45.9	429	340	47.6	435	348	48.8
105	70	364	285	43.5	392	330	46.3	393	352	47.8	394	371	48.9	367	293	43.6	397	340	46.5	398	364	48.0	399	382	49.1
	75	364	285	43.5	397	323	46.9	403	341	48.6	407	357	49.6	367	293	43.6	401	334	47.1	407	352	48.8	411	369	49.8
110	78	358	285	45.1	384	318	49.2	389	334	51.1	397	353	52.2	361	293	45.3	389	329	49.3	393	345	51.3	402	364	52.4
115	75	351	285	46.7	368	322	50.4	368	345	52.3	375	368	53.9	354	294	46.9	373	333	50.5	374	357	52.5	381	377	54.1

**Kw** — Compressor Motor Power Input  
**SHC** — Sensible Heat Capacity (1000 Btuh)  
**TC** — Total Capacity (1000 Btuh)

NOTES: 1 No values are given where unit cannot maintain the assumed room design relative humidity since the moisture content of the air leaving the unit is higher than the assumed room moisture content  
2. Ratings are gross and do not include fan motor heat deduction

Performance data  
Room Design 80 F/50% Rh

COOLING CAPACITIES  
48MA/50ME016

OUTDOOR AIR TEMP		TOTAL UNIT CFM																													
		5,000									6,000									7,000											
		0			750			1500			0			750			1500			0			750			1500					
Db	Wb	TC	SHC	Kw	TC	SHC	Kw	TC	SHC	Kw	TC	SHC	Kw	TC	SHC	Kw	TC	SHC	Kw	TC	SHC	Kw	TC	SHC	Kw	TC	SHC	Kw			
85	65	188	133	15.8	191	141	15.9	192	148	16.0	193	146	16.0	196	153	16.2	197	160	16.2	197	157	16.2	199	165	16.3	201	172	16.4	204	176	16.6
	70	188	133	15.8	194	137	16.1	197	139	16.2	193	146	16.0	199	149	16.3	202	152	16.4	197	157	16.2	202	161	16.5	205	164	16.6	208	172	16.8
90	65	183	131	16.4	186	143	16.5	187	154	16.6	188	144	16.6	191	156	16.8	192	167	16.8	192	155	16.8	194	167	16.9	195	178	17.0	200	170	17.2
	70	183	131	16.4	189	139	16.7	192	146	16.8	188	144	16.6	194	151	16.9	197	158	17.1	192	155	16.8	197	163	17.1	200	170	17.2	202	164	17.4
	73	183	131	16.4	191	136	16.8	196	140	17.0	188	144	16.6	195	149	17.0	200	152	17.2	192	155	16.8	199	160	17.2	202	164	17.4	204	161	17.5
	75	183	131	16.4	192	134	16.8	198	136	17.1	188	144	16.6	197	147	17.1	202	149	17.3	192	155	16.8	200	159	17.2	204	161	17.5	206	161	17.5
95	65	179	130	17.0	181	145	17.1	182	160	17.1	183	142	17.2	186	158	17.3	186	173	17.4	187	153	17.4	189	169	17.5	190	184	17.6	194	176	17.8
	70	179	130	17.0	184	141	17.3	187	152	17.4	183	142	17.2	188	153	17.5	191	164	17.7	187	153	17.4	191	165	17.7	194	176	17.8	198	167	18.1
	75	179	130	17.0	187	137	17.4	193	142	17.7	183	142	17.2	191	149	17.7	196	155	17.9	187	153	17.4	194	161	17.8	199	167	18.1	201	167	18.1
	80	179	130	17.0	189	134	17.6	197	136	17.9	183	142	17.2	193	146	17.8	199	149	18.1	187	153	17.4	196	158	17.9	200	167	18.1	202	167	18.1
100	70	174	128	17.5	179	143	17.8	182	158	18.0	178	140	17.8	183	156	18.1	186	170	18.2	182	151	18.0	186	167	18.3	189	182	18.4	193	173	18.7
	75	174	128	17.5	182	139	18.0	188	149	18.3	178	140	17.8	186	151	18.2	191	161	18.5	182	151	18.0	189	163	18.4	193	173	18.7	195	163	18.7
105	70	169	126	18.1	174	145	18.4	177	164	18.6	173	138	18.4	178	158	18.7	180	176	18.8	176	150	18.6	181	169	18.8	183	183	19.0	187	179	19.3
	75	169	126	18.1	177	141	18.6	182	155	18.9	173	138	18.4	181	153	18.8	185	167	19.1	176	150	18.6	183	165	19.0	187	179	19.3	189	179	19.3
110	78	165	124	18.7	174	140	19.3	180	155	19.7	168	136	18.9	177	152	19.5	180	171	19.5	171	148	19.1	179	164	19.7	181	179	19.3	181	179	19.3
115	75	160	122	19.2	167	145	19.7	172	167	20.1	164	134	19.5	170	157	19.9	175	175	20.2	167	146	19.7	173	169	20.1	181	179	19.3	181	179	19.3

48MA/50ME024

OUTDOOR AIR TEMP		TOTAL UNIT CFM																													
		6,000									7,500									9,000											
		0			750			1500			0			750			1500			0			750			1500					
Db	Wb	TC	SHC	Kw	TC	SHC	Kw	TC	SHC	Kw	TC	SHC	Kw	TC	SHC	Kw	TC	SHC	Kw	TC	SHC	Kw	TC	SHC	Kw	TC	SHC	Kw	TC	SHC	Kw
85	65	227	159	19.2	232	168	19.5	234	176	19.6	234	177	19.6	240	186	19.9	242	194	20.0	240	194	19.9	245	203	20.2	248	211	20.3	250	206	20.6
	70	227	159	19.2	236	164	19.7	241	167	20.0	234	177	19.6	243	182	20.1	248	185	20.3	240	194	19.9	249	199	20.4	253	203	20.6	256	206	20.6
90	65	222	157	20.0	227	170	20.3	229	182	20.4	229	175	20.4	235	188	20.7	237	200	20.9	235	192	20.7	240	205	21.0	243	216	21.2	247	209	21.4
	70	222	157	20.0	231	166	20.5	235	173	20.8	229	175	20.4	238	184	20.9	242	191	21.2	235	192	20.7	243	201	21.2	247	209	21.4	250	203	21.6
	73	222	157	20.0	233	164	20.6	239	168	21.0	229	175	20.4	240	181	21.0	246	186	21.4	235	192	20.7	245	199	21.3	250	203	21.6	253	199	21.7
	75	222	157	20.0	235	162	20.7	242	164	21.2	229	175	20.4	242	180	21.1	248	182	21.5	235	192	20.7	246	197	21.4	253	199	21.7	256	199	21.7
95	65	217	155	20.8	222	172	21.1	225	187	21.3	224	173	21.2	230	190	21.6	233	205	21.7	229	190	21.5	235	207	21.9	238	222	22.0	242	214	22.2
	70	217	155	20.8	225	168	21.3	230	179	21.6	224	173	21.2	232	186	21.7	236	197	22.0	229	190	21.5	237	203	22.0	241	214	22.2	244	205	22.4
	75	217	155	20.8	229	164	21.5	237	170	22.0	224	173	21.2	236	182	21.9	242	188	22.3	229	190	21.5	241	199	22.2	247	205	22.6	250	203	22.6
	80	217	155	20.8	232	161	21.7	241	164	22.2	224	173	21.2	238	179	22.1	246	182	22.5	229	190	21.5	243	196	22.3	250	199	22.8	253	199	22.8
100	70	212	153	21.6	220	170	22.1	224	185	22.3	219	171	22.0	227	188	22.5	231	203	22.8	224	188	22.3	231	205	22.8	236	220	23.1	240	211	23.3
	75	212	153	21.6	224	166	22.3	231	176	22.7	219	171	22.0	230	183	22.7	236	194	23.1	224	188	22.3	234	200	23.0	240	211	23.3	243	203	23.6
105	70	212	153	21.6	226	163	22.5	235	170	23.0	219	171	22.0	232	181	22.9	240	188	23.3	224	188	22.3	237	198	23.1	244	205	23.6	247	203	23.6
	75	207	151	22.3	215	172	22.8	219	191	23.1	214	169	22.8	221	190	23.3	226	208	23.6	218	186	23.1	226	207	23.6	230	225	23.9	243	203	23.9
110	78	202	149	23.0	215	166	23.9	223	182	24.5	208	167	23.5	220	184	24.3	227	200	24.9	213	184	23.8	224	201	24.6	227	203	23.9	243	203	23.9
115	75	197	147	23.7	207	171	24.5	214	193	25.0	203	165	24.2	212	189	24.9	219	211	25.4	207	181	24.5	216	206	25.2	222	222	25.6	243	203	23.9

48MA/50ME028

OUTDOOR AIR TEMP		TOTAL UNIT CFM																													
		8,000									10,000									12,000											
		0			1000			2000			0			1000			2000			0			1000			2000					
Db	Wb	TC	SHC	Kw	TC	SHC	Kw	TC	SHC	Kw	TC	SHC	Kw	TC	SHC	Kw	TC	SHC	Kw	TC	SHC	Kw	TC	SHC	Kw	TC	SHC	Kw	TC	SHC	Kw
85	65	290	207	25.4	297	218	25.7	299	228	25.8	300	230	25.9	306	242	26.2	309	252	26.3	306	252	26.2	313	264	26.6	315	274	26.7	317	274	26.7
	70	290	207	25.4	302	213	26.0	307	217	26.3	300	230	25.9	311	237	26.4	316	241	26.7	306	252	26.2	317	259	26.8	322	263	27.0	322	263	27.0
90	65	284	204	26.3	290	221	26.7	292	236	26.8	293	227	26.8	299	244	27.2	301	260	27.3	299	249	27.2	305	267	27.5	308	282	27.7	314	271	28.0
	70	284	204	26.3	295	216	26.9	300	225	27.2	293	227	26.8	303	239	27.4	308	248	27.7	299	249	27.2	309	261							

Performance data  
Room Design 80 F/50% Rh

COOLING CAPACITIES  
48MA/50ME030

OUTDOOR AIR TEMP		TOTAL UNIT CFM																										
		8,000												10,000														
		Outdoor Air Cfm												Outdoor Air Cfm														
		0			1000			2000			2500			0			1000			2000			2500					
Db	Wb	TC	SHC	Kw	TC	SHC	Kw	TC	SHC	Kw	TC	SHC	Kw	TC	SHC	Kw	TC	SHC	Kw	TC	SHC	Kw	TC	SHC	Kw			
85	65	319	218	31.0	329	231	31.6	332	241	31.8	332	246	31.9	330	241	31.7	340	255	32.4	343	265	32.6	344	269	32.6	344	269	32.6
	70	319	218	31.0	334	226	32.0	341	230	32.4	343	232	32.5	330	241	31.7	345	249	32.7	351	254	33.1	353	256	33.2	353	256	33.2
90	65	312	215	32.1	321	233	32.7	325	249	33.0	326	256	33.0	323	238	32.9	332	257	33.5	336	272	33.7	337	279	33.8	337	279	33.8
	70	312	215	32.1	327	228	33.1	333	238	33.5	335	242	33.6	323	238	32.9	337	252	33.8	343	261	34.2	345	266	34.3	345	266	34.3
	73	312	215	32.1	330	225	33.3	338	230	33.9	341	233	34.1	323	238	32.9	340	248	34.0	348	254	34.5	350	257	34.7	350	257	34.7
	75	312	215	32.1	332	222	33.5	342	225	34.1	346	227	34.4	323	238	32.9	342	246	34.1	351	249	34.7	354	250	34.9	354	250	34.9
95	65	306	212	33.2	315	236	33.8	318	256	34.1	319	257	34.2	316	236	34.0	325	259	34.6	329	279	34.9	330	289	35.0	330	289	35.0
	70	306	212	33.2	319	231	34.2	325	245	34.6	327	252	34.7	316	236	34.0	329	254	34.9	335	269	35.3	336	275	35.4	336	275	35.4
	75	306	212	33.2	325	225	34.6	334	233	35.2	338	237	35.5	316	236	34.0	334	248	35.2	342	257	35.8	346	261	36.0	346	261	36.0
	78	306	212	33.2	328	221	34.8	340	225	35.6	344	227	35.9	316	236	34.0	337	244	35.4	348	249	36.2	351	251	36.4	351	251	36.4
100	65	306	212	33.2	331	218	35.0	344	219	35.9	349	220	36.3	316	236	34.0	339	241	35.6	351	243	36.4	356	244	36.7	356	244	36.7
	70	299	210	34.3	311	223	35.2	318	253	35.7	320	262	35.8	309	233	35.0	321	256	35.9	327	276	36.4	329	285	36.5	329	285	36.5
	75	299	210	34.3	317	227	35.6	326	241	36.3	329	247	36.6	309	233	35.0	326	250	36.3	334	264	36.9	337	271	37.1	337	271	37.1
	78	299	210	34.3	320	223	35.9	332	233	36.7	336	237	37.0	309	233	35.0	329	246	36.5	339	256	37.3	343	261	37.6	343	261	37.6
105	70	292	207	35.3	304	235	36.2	311	260	36.8	313	272	37.0	302	230	36.1	318	258	37.0	320	283	37.5	322	295	37.7	322	295	37.7
	75	292	207	35.3	309	229	36.6	318	248	37.3	321	257	37.6	302	230	36.1	318	253	37.3	326	272	37.9	328	280	38.2	328	280	38.2
110	78	266	201	35.6	305	228	37.9	316	248	38.8	319	258	39.1	295	227	37.1	313	251	38.6	322	272	39.3	326	281	39.6	326	281	39.6
115	75	261	198	35.5	295	234	38.5	304	263	39.3	308	277	39.7	288	225	38.0	303	258	39.2	311	286	40.0	315	300	40.3	315	300	40.3

OUTDOOR AIR TEMP		TOTAL UNIT CFM																										
		11,000												12,000														
		Outdoor Air Cfm												Outdoor Air Cfm														
		0			1000			2000			2500			0			1000			2000			2500					
Db	Wb	TC	SHC	Kw	TC	SHC	Kw	TC	SHC	Kw	TC	SHC	Kw	TC	SHC	Kw	TC	SHC	Kw	TC	SHC	Kw	TC	SHC	Kw	TC	SHC	Kw
85	65	335	252	32.0	344	266	32.6	348	276	32.8	348	280	32.9	338	263	32.2	348	277	32.8	351	287	33.1	352	291	33.1	352	291	33.1
	70	335	252	32.0	349	260	32.9	355	265	33.3	357	267	33.4	338	263	32.2	352	271	33.1	358	276	33.5	360	278	33.6	360	278	33.6
90	65	327	249	33.1	336	268	33.7	340	283	34.0	342	290	34.1	331	260	33.4	340	279	34.0	344	294	34.2	345	301	34.3	345	301	34.3
	70	327	249	33.1	341	263	34.0	347	273	34.4	348	277	34.5	331	260	33.4	344	274	34.2	350	284	34.6	352	288	34.7	352	288	34.7
	73	327	249	33.1	344	259	34.2	351	265	34.7	354	268	34.9	331	260	33.4	347	270	34.4	354	276	34.9	357	279	35.1	357	279	35.1
	75	327	249	33.1	346	257	34.4	354	260	34.9	357	262	35.1	331	260	33.4	349	268	34.6	357	272	35.1	360	273	35.3	360	273	35.3
95	65	320	247	34.2	329	270	34.9	334	290	35.2	335	299	35.3	323	257	34.5	333	281	35.1	337	301	35.4	338	310	35.5	338	310	35.5
	70	320	247	34.2	333	265	35.1	338	280	35.5	340	286	35.6	323	257	34.5	336	276	35.4	341	291	35.7	343	298	35.8	343	298	35.8
	75	320	247	34.2	338	259	35.5	346	268	36.0	349	272	36.2	323	257	34.5	340	270	35.7	348	279	36.2	351	283	36.4	351	283	36.4
	78	320	247	34.2	341	255	35.7	350	260	36.4	354	262	36.6	323	257	34.5	343	266	35.9	353	271	36.5	356	273	36.8	356	273	36.8
100	65	320	247	34.2	343	253	35.8	354	255	36.6	358	255	36.9	323	257	34.5	345	264	36.0	356	266	36.8	-	-	-	-	-	-
	70	313	244	35.3	325	267	36.2	331	287	36.6	333	296	36.8	316	255	35.6	328	278	36.4	334	298	36.9	336	307	37.0	336	307	37.0
	75	313	244	35.3	329	261	36.5	337	275	37.1	340	282	37.3	316	255	35.6	332	272	36.8	340	286	37.3	342	293	37.5	342	293	37.5
	78	313	244	35.3	332	258	36.8	342	268	37.5	345	272	37.7	316	255	35.6	335	269	37.0	344	279	37.6	347	283	37.9	347	283	37.9
105	70	306	241	36.4	317	270	37.3	323	294	37.8	326	306	37.9	309	252	36.6	320	280	37.5	326	306	38.0	328	316	38.2	328	316	38.2
	75	306	241	36.4	321	264	37.6	329	283	38.2	331	291	38.4	309	252	36.6	324	275	37.8	331	294	38.4	334	302	38.6	334	302	38.6
110	78	298	238	37.3	316	262	38.8	325	282	39.5	328	292	39.8	301	249	37.6	319	273	39.0	327	294	39.7	-	-	-	-	-	-
115	75	292	236	38.3	306	269	39.5	314	297	40.2	317	311	40.5	295	247	38.5	309	280	39.7	316	308	40.5	319	319	40.7	319	319	40.7

Kw — Compressor Motor Power Input  
SHC — Sensible Heat Capacity (1000 Btuh)  
TC — Total Capacity (1000 Btuh)

NOTES: 1. No values are given where unit cannot maintain the assumed room design relative humidity since the moisture content of the air leaving the unit is higher than the assumed room moisture content.  
2. Ratings are gross and do not include fan motor heat deduction.

Performance data  
Room Design 80 F/50% Rh

COOLING CAPACITIES  
48MA/50ME034

OUTDOOR AIR TEMP		TOTAL UNIT CFM																									
		10,000												11,000													
		Outdoor Air Cfm						Outdoor Air Cfm						Outdoor Air Cfm						Outdoor Air Cfm							
Db	Wb	TC	SHC	Kw	TC	SHC	Kw	TC	SHC	Kw	TC	SHC	Kw	TC	SHC	Kw	TC	SHC	Kw	TC	SHC	Kw	TC	SHC	Kw		
85	65	343	247	30.1	352	260	30.5	356	271	30.9	358	281	30.8	349	259	30.4	357	272	30.8	361	283	31.0	363	292	31.1		
	70	343	247	30.1	357	255	30.8	365	260	31.2	370	264	31.4	349	259	30.4	362	267	31.0	369	272	31.4	374	276	31.6		
90	65	336	244	31.2	344	262	31.6	352	282	32.1	355	297	32.2	341	256	31.5	349	274	31.0	357	294	32.3	360	309	32.5		
	70	336	244	31.2	349	257	31.9	357	268	32.3	361	277	32.5	341	256	31.5	354	269	32.1	361	279	32.5	365	289	32.8		
	73	336	244	31.2	352	254	32.1	362	261	32.6	369	266	32.9	341	256	31.5	357	266	32.3	366	272	32.8	372	278	33.1		
	75	336	244	31.2	355	252	32.2	366	256	32.8	374	259	33.2	341	256	31.5	359	263	32.4	370	267	33.0	377	271	33.4		
95	65	328	241	32.3	339	267	32.9	345	289	33.3	348	309	33.4	333	253	32.6	344	279	33.2	350	301	33.5	353	321	33.7		
	70	328	241	32.3	341	259	33.0	348	275	33.4	352	290	33.7	333	253	32.6	345	271	33.3	352	287	33.7	356	301	33.9		
	75	328	241	32.3	346	254	33.3	357	263	33.9	365	272	34.4	333	253	32.6	350	265	33.6	360	275	34.1	368	283	34.6		
	80	328	241	32.3	350	250	33.5	363	255	34.3	373	260	34.8	333	253	32.6	354	261	33.8	366	267	34.4	376	272	35.0		
100	70	320	238	33.5	332	261	34.2	342	286	34.8	348	305	35.1	325	250	33.7	336	273	34.4	347	298	35.0	352	317	35.4		
	75	320	238	33.5	337	256	34.5	348	270	35.1	355	284	35.5	325	250	33.7	341	267	34.7	351	282	35.3	358	296	35.7		
	78	320	238	33.5	341	252	34.7	353	263	35.4	363	273	36.0	325	250	33.7	345	263	34.9	356	274	35.6	365	284	36.2		
105	70	312	235	34.6	326	266	35.5	335	293	36.0	340	318	36.4	317	246	34.8	330	278	35.7	338	305	36.2	344	329	36.6		
	75	312	235	34.6	328	258	35.6	338	278	36.2	345	297	36.7	317	246	34.8	332	269	35.8	341	289	36.4	348	308	36.9		
110	78	304	232	35.6	323	256	36.9	334	277	37.7	343	298	38.3	308	243	35.9	326	268	37.1	337	289	37.9	345	309	38.4		
115	75	296	229	36.6	311	262	37.7	325	296	38.7	332	325	39.3	300	240	36.9	314	273	37.9	327	308	38.9	335	335	39.5		

OUTDOOR AIR TEMP		TOTAL UNIT CFM																									
		12,000												13,000													
		Outdoor Air Cfm						Outdoor Air Cfm						Outdoor Air Cfm						Outdoor Air Cfm							
Db	Wb	TC	SHC	Kw	TC	SHC	Kw	TC	SHC	Kw	TC	SHC	Kw	TC	SHC	Kw	TC	SHC	Kw	TC	SHC	Kw	TC	SHC	Kw		
85	65	353	270	30.6	361	283	31.0	365	294	31.2	367	304	31.3	357	281	30.8	365	294	31.2	369	305	31.4	370	310	31.4		
	70	353	270	30.6	366	278	31.2	373	283	31.6	378	287	31.8	357	281	30.8	370	289	31.4	377	294	31.7	379	296	31.9		
90	65	345	267	31.7	353	285	32.1	361	305	32.5	365	320	32.7	349	278	31.9	356	296	32.3	365	316	32.7	367	324	32.8		
	70	345	267	31.7	358	280	32.3	365	291	32.7	369	300	32.9	349	278	31.9	361	291	32.5	368	302	32.9	370	306	33.0		
	73	345	267	31.7	361	277	32.5	370	283	33.0	376	289	33.3	349	278	31.9	364	287	32.7	373	295	33.1	376	298	33.3		
	75	345	267	31.7	363	274	32.6	373	279	33.2	381	282	33.5	349	278	31.9	366	285	32.8	376	290	33.3	380	291	33.5		
95	65	337	264	32.8	348	290	33.4	354	312	33.8	357	332	33.9	340	275	33.0	352	301	33.6	357	323	34.0	359	333	34.1		
	70	337	264	32.8	349	282	33.5	355	298	33.9	359	312	34.1	340	275	33.0	352	293	33.7	358	309	34.0	360	316	34.1		
	75	337	264	32.8	354	276	33.8	363	286	34.3	371	295	34.7	340	275	33.0	357	287	33.9	366	297	34.5	370	301	34.7		
	80	337	264	32.8	357	272	34.0	369	278	34.6	378	283	35.1	340	275	33.0	360	283	34.1	371	289	34.7	376	292	35.0		
100	70	329	261	34.0	340	284	34.6	350	309	35.2	356	328	35.6	332	271	34.2	343	295	34.8	353	320	35.4	356	330	35.6		
	75	329	261	34.0	345	278	34.9	354	293	35.5	361	307	35.9	332	271	34.2	347	289	35.1	356	304	35.6	360	311	35.8		
	78	329	261	34.0	348	274	35.1	359	285	35.8	368	295	36.3	332	271	34.2	350	285	35.3	361	296	35.9	365	302	35.2		
105	70	320	257	35.1	334	289	35.9	342	316	36.5	347	340	36.8	323	268	35.3	337	300	36.1	345	327	36.6	348	339	36.8		
	75	320	257	35.1	335	280	36.0	344	300	36.6	350	319	37.0	323	268	35.3	338	291	36.2	346	311	36.7	350	321	37.0		
110	78	312	254	36.1	329	278	37.3	339	300	38.0				315	265	36.4	332	289	37.5	341	311	38.2					
115	75	304	251	37.2	317	284	38.1	330	319	39.1	337	337	39.6	306	262	37.4	319	295	38.3	332	333	39.3	336	336	39.5		



Performance data  
Room Design 80 F/50% Rh

COOLING CAPACITIES  
48MA/50ME040

OUTDOOR AIR TEMP		TOTAL UNIT CFM																																					
		11,000												12,000																									
		Outdoor Air Cfm												Outdoor Air Cfm																									
		0			1000			2000			3000			0			1000			2000			3000																
Db	Wb	TC	SHC	Kw	TC	SHC	Kw	TC	SHC	Kw	TC	SHC	Kw	TC	SHC	Kw	TC	SHC	Kw	TC	SHC	Kw	TC	SHC	Kw														
85	65	378	256	37.1	417	292	39.5	434	314	40.8	440	327	41.3	381	263	37.4	421	300	39.7	438	324	41.0	445	338	41.5	381	263	37.4	427	296	40.1	451	314	41.7	462	324	42.5		
	70	378	256	37.1	424	288	40.0	446	304	41.5	456	312	42.3	381	263	37.4	427	296	39.0	415	305	41.2	431	334	42.5	436	351	43.1	380	266	39.0	422	302	41.7	442	323	43.2	450	336
90	65	377	259	38.8	411	297	41.1	425	322	42.3	429	338	43.0	380	266	39.0	415	305	41.2	431	334	42.5	436	351	43.1	380	266	39.0	422	302	42.1	449	319	43.7	460	326	44.6		
	70	377	259	38.8	419	293	41.6	436	312	43.0	444	323	43.8	380	266	39.0	429	302	42.1	449	319	43.7	460	326	44.6	380	266	39.0	433	302	42.3	459	317	44.0	469	320	45.0		
	73	377	259	38.8	425	292	42.0	445	306	43.5	454	313	44.4	380	266	39.0	429	302	42.1	449	319	43.7	460	326	44.6	380	266	39.0	433	302	42.3	459	317	44.0	469	320	45.0		
95	65	376	262	40.5	405	302	42.6	416	330	43.8	418	350	44.6	379	269	40.6	409	311	42.8	423	343	44.1	428	364	44.8	379	269	40.6	417	308	43.3	433	332	44.7	438	348	45.5		
	70	376	262	40.5	413	298	43.1	427	319	44.5	431	335	45.3	379	269	40.6	417	308	43.3	433	332	44.7	438	348	45.5	379	269	40.6	425	305	44.0	444	322	45.7	452	330	46.7		
	75	376	262	40.5	421	295	43.8	438	308	45.5	444	316	46.5	379	269	40.6	425	305	44.0	444	322	45.7	452	330	46.7	379	269	40.6	430	302	44.4	452	314	46.2	462	318	47.3		
	78	376	262	40.5	426	292	44.2	446	301	46.1	455	305	47.2	379	269	40.6	430	302	44.4	452	314	46.2	462	318	47.3	379	269	40.6	434	300	44.6	456	308	46.5	468	310	47.8		
100	65	376	262	40.5	429	290	44.4	450	295	46.3	463	297	47.6	379	269	40.6	434	300	44.6	456	308	46.5	468	310	47.8	379	269	40.6	434	300	44.6	456	308	46.5	468	310	47.8		
	70	372	263	42.1	404	301	44.7	413	325	46.2	414	343	47.1	375	270	42.3	408	312	44.9	419	338	46.4	421	356	47.4	375	270	42.3	416	309	45.6	429	327	47.4	435	339	48.3		
	75	372	263	42.1	412	297	45.4	423	313	47.1	429	326	48.1	375	270	42.3	416	309	45.6	429	327	47.4	435	339	48.3	375	270	42.3	424	307	46.2	437	319	47.8	444	328	49.0		
105	65	368	263	43.7	395	304	46.3	399	331	47.9	399	352	48.9	371	272	43.9	399	316	46.4	406	344	48.1	406	364	49.2	371	272	43.9	407	312	47.3	414	332	49.0	418	349	50.0		
	75	368	263	43.7	402	300	47.1	408	319	48.8	413	336	49.8	371	272	43.9	407	312	47.3	414	332	49.0	418	349	50.0	371	272	43.9	407	312	47.3	414	332	49.0	418	349	50.0		
110	65	361	262	45.3	394	297	49.3	399	315	51.1	406	335	52.3	365	271	45.5	399	310	49.5	404	328	51.4	410	347	52.5	365	271	45.5	399	310	49.5	404	328	51.4	410	347	52.5		
	75	354	261	46.9	377	301	50.5	376	327	52.4	377	351	53.9	358	270	47.1	384	314	50.7	384	340	52.7	384	363	54.1	358	270	47.1	384	314	50.7	384	340	52.7	384	363	54.1		

OUTDOOR AIR TEMP		TOTAL UNIT CFM																																			
		13,000												14,000																							
		Outdoor Air Cfm												Outdoor Air Cfm																							
		0			1000			2000			3000			0			1000			2000			3000														
Db	Wb	TC	SHC	Kw	TC	SHC	Kw	TC	SHC	Kw	TC	SHC	Kw	TC	SHC	Kw	TC	SHC	Kw	TC	SHC	Kw	TC	SHC	Kw	TC	SHC	Kw	TC	SHC	Kw	TC	SHC	Kw	TC	SHC	Kw
85	65	384	268	37.5	422	305	39.7	441	332	41.1	448	347	41.6	387	278	37.6	422	311	39.7	444	340	41.2	452	356	41.7	387	278	37.6	435	310	40.5	457	331	41.9	468	342	42.7
	70	384	268	37.5	431	304	40.3	454	323	41.8	465	333	42.6	387	278	37.6	435	310	40.5	457	331	41.9	468	342	42.7	387	278	37.6	435	310	40.5	457	331	41.9	468	342	42.7
90	65	382	271	39.0	417	312	41.3	434	342	42.7	440	360	43.3	383	275	39.0	418	320	41.3	437	351	42.8	444	370	43.4	383	275	39.0	429	320	42.1	448	342	43.4	458	356	44.2
	70	382	271	39.0	425	311	41.9	445	332	43.3	454	346	44.1	383	275	39.0	429	320	42.1	448	342	43.4	458	356	44.2	383	275	39.0	435	320	42.5	456	337	43.9	467	348	44.9
	73	382	271	39.0	432	310	42.3	453	328	43.8	464	337	44.7	383	275	39.0	435	320	42.5	456	337	43.9	467	348	44.9	383	275	39.0	439	316	42.5	464	336	44.2	478	344	45.2
95	65	380	274	40.6	412	318	42.9	427	352	44.3	432	374	45.0	380	278	40.5	414	327	42.9	430	362	44.4	437	385	45.1	380	278	40.5	423	326	43.7	440	352	45.0	448	370	45.8
	70	380	274	40.6	420	317	43.5	436	342	44.8	443	359	45.7	380	278	40.5	423	326	43.7	440	352	45.0	448	370	45.8	380	278	40.5	431	321	44.2	451	343	45.9	461	354	46.9
	75	380	274	40.6	428	313	44.1	448	332	45.8	457	342	46.8	380	278	40.5	437	320	44.7	458	335	46.4	470	342	47.5	380	278	40.5	440	318	44.8	465	331	47.0	476	334	48.0
	78	380	274	40.6	433	311	44.5	455	325	46.3	466	330	47.4	380	278	40.5	440	318	44.8	465	331	47.0	476	334	48.0	380	278	40.5	440	318	44.8	465	331	47.0	476	334	48.0
100	65	377	277	42.4	411	321	45.0	424	349	46.6	426	367	47.5	379	284	42.5	414	330	45.2	429	359	46.7	432	379	47.7	379	284	42.5	422	326	45.9	438	349	47.6	444	363	48.6
	70	377	277	42.4	419	317	45.7	433	338	47.5	440	351	48.5	379	284	42.5	422	326	45.9	438	349	47.6	444	363	48.6	379	284	42.5	429	325	46.4	446	342	48.1	454	352	49.2
	78	377	277	42.4	427	316	46.3	441	331	47.9	449	340	49.1	379	284	42.5	429	325	46.4	446	342	48.1	454	352	49.2	379	284	42.5	429	325	46.4	446	342	48.1	454	352	49.2
105	65	375	280	44.2	402	324	46.6	412	356	48.3	412	376	49.4	378	289	44.4	405	333	46.7	418	367	48.3	418	387	49.6	378	289	44.4	413	331	47.5	425	355	49.3	428	373	50.3
	75	375	280	44.2	410	322	47.4	419	344	49.2	423	361	50.2	378	289	44.4	413	331	47.5	425	355	49.3	428	373	50.3	378	289	44.4	413	331	47.5	425	355	49.3	428	373	50.3
110	65	368	279	45.7	403	321	49.6	408	339	51.5	415	359	52.6	371	287	45.9	408	332	49.7	413	351	51.7	419	370	52.7	371	287	45.9	408	332	49.7	413	351	51.7	419	370	52.7
	75	360	278	47.2	389	325	50.9	389	352	52.8	390	374	54.3	363	286	47.4	394	337	51.0	394	363	52.9															

# Performance data

## FAN PERFORMANCE

UNIT 48MA/ 50ME	CFM	EXTERNAL STATIC PRESSURE (in. wg)										
		0.2	0.4	0.6	0.8	1.0	1.2	1.4	1.6	1.8	2.0	2.2
		Fan Rpm										
Bhp												
016 and 024	5,000	—	—	740	810	880	945	1005	1060	1100	1160	1215
		—	—	—	—	—	3.0	3.4	3.8	4.2	4.7	5.0
	6,000	—	710	790	865	935	1000	1050	1100	1155	1215	1255
		—	—	—	3.0	3.3	3.9	4.3	4.7	5.1	5.8	6.2
	7,000	700	780	845	920	975	1045	1100	1150	1205	1270	—
		—	3.0	3.5	4.0	4.4	4.9	5.3	5.9	6.7	7.4	—
028 and 030	8,000	765	830	910	990	1040	1100	1200	1200	1260	—	—
		3.6	4.0	4.5	5.0	5.5	6.3	7.0	7.7	8.2	—	—
	9,000	830	900	990	1050	1100	1150	1200	1260	—	—	—
		4.9	5.5	6.1	7.0	7.4	8.0	8.7	9.3	—	—	—
	9,600	870	950	1020	1075	1130	1190	1240	1290	—	—	—
		6.0	6.6	7.4	7.9	8.5	9.1	9.8	10.2	—	—	—
	7,000	—	—	—	900	955	1040	1060	1110	1160	1200	1250
		—	—	—	—	—	—	5.0	5.9	6.3	6.9	7.5
	8,000	—	—	920	950	1010	1060	1115	1160	1210	1250	—
		—	—	—	—	5.0	5.5	6.0	6.6	6.9	8.2	—
	9,000	—	910	960	1020	1065	1120	1165	1210	1250	—	—
		—	—	—	5.4	6.0	6.5	7.0	8.0	9.0	10.0	—
034 and 040	10,000	910	970	1030	1075	1125	1075	1220	1270	—	—	—
		—	5.4	6.0	6.4	7.0	7.7	8.6	10.0	—	—	—
	11,000	980	1040	1090	1145	1190	1235	1280	—	—	—	—
		6.0	6.5	7.0	7.6	8.6	9.8	11.0	—	—	—	—
	12,000	1050	1105	1160	1200	1260	—	—	—	—	—	—
		7.0	7.7	8.8	10.0	11.0	—	—	—	—	—	—
	8,000	—	—	900	940	975	1010	1040	1070	1110	1155	1200
		—	—	—	—	—	—	—	—	—	—	—
	9,000	900	930	960	1000	1030	1070	1105	1145	1190	1220	1250
		—	—	—	—	—	—	—	—	9.9	10.8	11.8
	10,000	970	1000	1030	1070	1105	1145	1180	1210	1250	1280	1320
		—	—	—	—	—	9.8	10.5	11.2	12.1	13.0	14.0
11,000	1045	1080	1115	1150	1180	1220	1250	1280	1320	1350	1380	
	—	—	9.9	10.6	11.3	12.1	13.0	13.8	14.5	15.3	16.5	
12,000	1130	1160	1195	1230	1260	1295	1330	1360	1390	1420	1445	
	11.2	11.9	12.6	13.2	14.0	14.7	15.3	16.2	17.3	18.2	19.0	
13,000	1210	1250	1280	1325	1350	1380	1400	1430	1460	1480	—	
	14.0	14.5	15.2	16.0	17.0	17.8	18.5	19.2	20.1	21.0	—	
14,000	1315	1345	1370	1400	1435	1460	1485	—	—	—	—	
	17.1	18.1	18.8	19.5	20.3	21.0	21.8	—	—	—	—	

NOTES:

1 *Italics* indicate higher than standard horsepower motor is required. Units 016 and 024 are shown in the same table. *Underlined italicized values* apply to 024 only. Units 016 and 024 may use 10-hp 215T (NEMA frame size) motor. A larger motor may not be installed in units 028 and 030. Optional 20-hp motor for units 034 and 040 has 256T frame. Motor drives on units 024,

028 and 030 are interchangeable to permit fan operation above or below standard fan speeds.

2 Maximum fan motor bhp is based on conditions of minimum voltage and 80 F air across motor.

3 Fan performance has deductions for unit casing, wet coils, heaters and clean filters.

### INDOOR AIR FAN MOTOR DATA

UNIT 48MA/ 50ME	MOTOR		FAN SPEED (Rpm)			
	MAX BHP		Std Motor		Opt Motor	
	Std	Opt	Pulley A	Pulley B	Pulley A	Pulley B
016	5.75	*	880	995	—	—
024	8.60	*	995	1145	—	—
028	11.50	—	1095	1230	—	—
030	11.50	—	1095	1230	—	—
034	17.25	22.8	1095	1230	1320	1425
040	17.25	22.2	1095	1230	1320	1425

\*Field Supplied

## Performance data

### FILTER RESISTANCE (in. wg)

TYPE FILTER	UNITS 50ME016, 024 AND 028			UNITS 50ME030, 034 AND 040		
	CFM			CFM		
	6000	8000	10,000	10,000	12,000	14,000
Standard	.025	.044	.069	.069	.099	.150
Hi Efficiency	.024	.043	.069	.069	.099	.150
Roll Filter	120	220	020	110	015	280

### ELECTRIC HEATER PERFORMANCE

UNIT 50ME	HEAT-TO- COOL RATIO	TOTAL HEATER KW	STEPS OF HEAT PER MODULE	KW/STEP PER MODULE
016	75:1	53	2	3.3
&	1:1	70	2	4.4
024	1.5:1	106	3	4.4
028	75:1	66	2	3.3
&	1:1	88	2	4.4
030	1.5:1	132	3	4.4
034	75:1	79	2	3.3
&	1:1	106	2	4.4
040	1.5:1	158	3	4.4

### GAS HEATING CAPACITIES (1000 Btuh)

UNIT 48MA	INPUT		BONNET CAPACITY	
	Total	Each Zone Module	Total	Each Zone Module Full
016	432		324	
024	432		324	
028	540	54	405	40.5
030	540		405	
034	648		486	
040	648		486	

#### NOTES:

- 1 Ratings are approved for altitudes to 2000 feet. At altitudes over 2000 ft, ratings are 4% less for each 1000 ft above sea level.
- 2 At altitudes up to 2000 ft, the following formula may be used to calculate air temperature rise:

$$\Delta t = \frac{\text{bonnet capacity}}{1.09 \times \text{air quantity}}$$

- 3 At altitudes above 2000 ft, the following formula may be used:

$$\Delta t = \frac{\text{bonnet capacity}}{(24 \times \text{specific weight of air} \times 60) (\text{air quantity})}$$

- 4 Maximum allowable gas pressure is 10.5 in. wg. Minimum allowable gas pressure for full rated input is 5.0 in. wg.
- 5 Unit design is AGA certified.



# Electrical data

## ELECTRICAL DATA, 48MA

UNIT MODEL	V/PH/HZ	VOLTAGE RANGE		COMPRESSOR NO. 1			COMPRESSOR NO. 2			OUTDOOR FAN MOTOR FLA			COMBUST FAN MOTOR	INDOOR FAN MOTOR		POWER SUPPLY	
		Min	Max	RLA	LRA	CB MTA	RLA	LRA	CB MTA	No. 1	No. 2	No. 3	FLA	Hp	FLA	Min Ckt Amps	Max Fuse Amps
48MA016	200/3/60	180	229	63.6	266	89.0*	—	—	—	6.2	6.6	—		5.0	16.2	109.6	125
	230/3/60	207	264	57.2	266	80.0*	—	—	—	6.2	6.0	—		5.0	13.2	99.5	110
	460/3/60	414	528	28.6	120	40.0	—	—	—	6.2	3.0	—		5.0	6.6	49.8	60
	575/3/60	518	660	22.8	96	32.0	—	—	—	6.2	2.4	—		5.0	5.6	39.8	45
48MA024	200/3/60	180	229	44.4	170	63.0	44.4	170	62.0	6.2	6.6	—		7.5	24.0	137.5	150
	230/3/60	207	264	40.0	170	56.0	40.0	170	56.0	6.2	6.0	—		7.5	22.0	124.8	150
	460/3/60	414	528	19.9	77	27.8	19.9	77	27.8	6.2	3.0	—		7.5	11.0	62.2	70
	575/3/60	518	660	15.7	62	22.0	15.7	62	22.0	6.2	2.4	—		7.5	9.0	49.4	60
48MA028	200/3/60	180	229	63.6	266	89.0	44.4	170	62.0	6.2	6.6	—		10.0	29.0	168.1	200
	230/3/60	207	264	57.2	266	80.0	40.0	170	56.0	6.2	6.0	—		10.0	25.0	152.3	175
	460/3/60	414	528	28.6	120	40.0	19.9	77	27.8	6.2	3.0	—		10.0	12.5	76.1	90
	575/3/60	518	660	22.8	96	32.0	15.7	62	22.0	6.2	2.4	—		10.0	9.5	60.4	70
48MA030	200/3/60	180	229	63.6	266	89.0	63.6	266	89.0	6.2	6.6	—		10.0	29.0	187.3	200
	230/3/60	207	264	57.2	266	80.0	57.2	266	80.0	6.2	6.0	—		10.0	25.0	169.5	200
	460/3/60	414	528	28.6	120	41.0	28.6	120	41.0	6.2	3.0	—		10.0	12.5	84.2	100
	575/3/60	518	660	22.8	96	33.0	22.8	96	33.0	6.2	2.4	—		10.0	9.5	67.5	90
48MA034	200/3/60	180	229	63.6	266	89.0	63.6	266	89.0	6.2	6.6	6.6	1.8	15.0	46.2	210.8	225
														20.0	61.0	224.6	250
	230/3/60	207	264	57.2	266	80.0	57.2	266	80.0	6.2	6.0	6.0		15.0	46.2	188.9	200
														20.0	59.4	200.9	250
	460/3/60	414	528	28.6	120	40.0	28.6	120	40.0	6.2	3.0	3.0		15.0	21.0	94.5	100
48MA040	575/3/60	518	660	22.8	96	32.0	22.8	96	32.0	6.2	2.4	2.4		20.0	26.6	100.5	125
														15.0	15.4	75.6	90
														20.0	20.0	80.6	100
	200/3/60	180	229	80.0	332	112.0	80.0	332	112.0	6.2	6.6	6.6		15.0	46.2	247.7	300
														20.0	61.0	261.5	300
48MA040	230/3/60	207	264	77.0	300	106.0	77.0	300	106.0	6.2	6.0	6.0		15.0	46.2	233.5	300
														20.0	59.4	245.5	300
	460/3/60	414	528	37.3	150	54.0	38.5	150	54.0	6.2	3.0	3.0		15.0	21.0	116.7	150
														20.0	26.6	122.7	150
48MA040	575/3/60	518	660	31.4	120	44.0	31.4	120	44.5	6.2	2.4	2.4		15.0	15.4	95.0	125
														20.0	20.0	100.0	125

CBMTA — Circuit Breaker Must Trip Amps  
 FLA — Full Load Amps  
 LRA — Locked Rotor Amps  
 RLA — Rated Load Amps

\*Unit has 2 mechanically interlocked circuit breakers. Values are for each.

NOTES:

- 1 Combustion air fan — 115 volts
- 2 Outdoor fan motor is a 200/230-1-60 motor on all units



ELECTRICAL DATA, 50ME

UNIT MODEL	V/PH/HZ	VOLTAGE RANGE		COMPRESSOR NO. 1			COMPRESSOR NO. 2			OUTDOOR FAN MOTOR FLA			INDOOR FAN MOTOR		POWER SUPPLY	
		Min	Max	RLA	LRA	CB MTA	RLA	LRA	CB MTA	No. 1	No. 2	No. 3	Hp	FLA	Min Ckt Amps	Max Fuse Amps
50ME016	200/3/60	180	229	63.6	266	89.0*	—	—	—	6.2	6.6	—	5.0	16.2	109.8	125
	230/3/60	207	264	57.2	266	80.0*	—	—	—	6.2	6.0	—	5.0	13.2	98.9	110
	460/3/60	414	528	28.6	120	40.0	—	—	—	6.2	3.0	—	5.0	6.6	49.5	60
	575/3/60	518	660	22.8	96	32.0	—	—	—	6.2	2.4	—	5.0	5.6	39.6	45
50ME024	200/3/60	180	229	44.4	170	63.0*	44.4	170	62.0	6.2	6.6	—	7.5	24.0	138.0	150
	230/3/60	207	264	40.0	170	56.0	40.0	170	56.0	6.2	6.0	—	7.5	22.0	124.2	150
	460/3/60	414	528	19.9	77	27.8	19.9	77	27.8	6.2	3.0	—	7.5	11.0	61.9	70
	575/3/60	518	660	15.7	62	22.0	15.7	62	22.0	6.2	2.4	—	7.5	9.0	49.2	60
50ME028	200/3/60	180	229	63.6	266	89.0	44.4	170	62.0	6.2	6.6	—	10.0	29.5	168.9	200
	230/3/60	207	264	57.2	266	80.0	40.0	170	56.0	6.2	6.0	—	10.0	26.0	151.7	175
	460/3/60	414	528	28.6	120	40.0	19.9	77	27.8	6.2	3.0	—	10.0	13.0	75.8	90
	575/3/60	518	660	22.0	96	32.0	15.7	62	22.0	6.2	2.4	—	10.0	10.5	60.2	70
50ME030	200/3/60	180	229	63.6	266	89.0	63.6	266	89.0	6.2	6.6	—	10.0	29.6	188.0	200
	230/3/60	207	264	57.2	266	80.0	57.2	266	80.0	6.2	6.0	—	10.0	26.0	168.9	200
	460/3/60	414	528	28.6	120	41.0	28.6	120	41.0	6.2	3.0	—	10.0	13.0	84.5	100
	575/3/60	518	660	22.8	96	33.0	22.8	228	33.0	6.2	2.4	—	10.0	10.5	67.3	90
50ME034	200/3/60	180	229	63.6	266	89.0	63.6	266	89.0	6.2	6.6	6.6	15.0 20.0	46.2 61.0	210.8 224.6	225 250
	230/3/60	207	264	57.2	266	80.0	57.2	266	80.0	6.2	6.0	6.0	15.0 20.0	46.2 59.4	188.9 200.9	200 250
	460/3/60	414	528	28.6	120	40.0	28.6	120	40.0	6.2	3.0	3.0	15.0 20.0	21.0 26.6	94.5 100.5	100 125
	575/3/60	518	660	22.8	96	32.0	22.8	96	32.0	6.2	2.4	2.4	15.0 20.0	16.0 21.3	75.6 80.6	90 100
50ME040	200/3/60	180	229	80.0	332	112.0	80.0	332	112.0	6.2	6.6	6.6	15.0 20.0	46.2 61.0	247.7 261.5	300 300
	230/3/60	207	264	77.0	300	106.0	77.0	300	106.0	6.2	6.0	6.6	15.0 20.0	46.2 59.4	233.5 245.5	300 300
	460/3/60	414	582	39.3	150	54.0	39.3	150	54.0	6.2	3.0	3.0	15.0 20.0	21.0 26.6	116.7 122.7	150 150
	575/3/60	518	660	31.4	120	44.0	31.4	120	44.0	6.2	2.4	2.4	15.0 20.0	16.0 21.3	95.0 100.0	125 125

CB MTA — Circuit Breaker Must Trip Amps  
 FLA — Full Load Amps  
 LRA — Locked Rotor Amps  
 RLA — Rated Load Amps

\*Unit has 2 mechanically interlocked circuit breakers. Values are for each  
 NOTE Outdoor air fan motor is a 200/230-1-60 motor on all units

# Electrical data (cont)

## ELECTRIC RESISTANCE HEATER DATA

UNIT 50ME	VOLTS (3-Ph 60-Hz)	ELEC HEAT KW (Unit Total)	HEATING ELEMENTS PER ZONE MODULE	FULL LOAD AMPS PER HEATING ELEMENT	CB MTA EACH ZONE MODULE	MAX FUSE AMPS EACH CIRCUIT	MIN WIRE AMPS EACH CIRCUIT
016 and 024	200	53	2	16.5	52	200	190.5
	230	53		14.4	52	175	165.6
	460	53		7.2	45	90	82.9
	200	70	2	22.0	52	300	254.0
	230	70		19.2	52	225	220.9
	460	70		9.6	45	125	110.5
	200	106	3	22.0	52	200	190.5
	230	106		19.2	52	175	165.8
	460	106		9.6	45	175	165.8
575	106	7.7		45	150	132.5	
028 and 030	200	66	2	16.5	52	250	238.1
	230	66		14.4	52	225	207.1
	460	66		7.2	45	110	102.8
	200	88	2	22.0	52	350	317.3
	230	88		19.2	52	300	276.1
	460	88		9.6	45	150	138.0
	200	132	3	22.0	52	250	238.3
	230	132		19.2	52	225	207.1
	460	132		9.6	45	225	207.1
575	132	7.7		45	175	165.6	
034 and 040	200	79	2	16.5	52	300	285.9
	230	79		14.4	52	250	248.5
	460	79		7.2	45	125	124.3
	200	106	2	22.0	52	200	190.5
	230	106		19.2	52	175	165.1
	460	106		9.6	45	175	165.6
	200	158	3	22.0	52	300	285.9
	230	158		19.2	52	250	248.5
	460	158		9.6	45	250	248.5
575	158	7.7		45	200	198.8	

CB MTA — Circuit Breaker Must Trip Amps

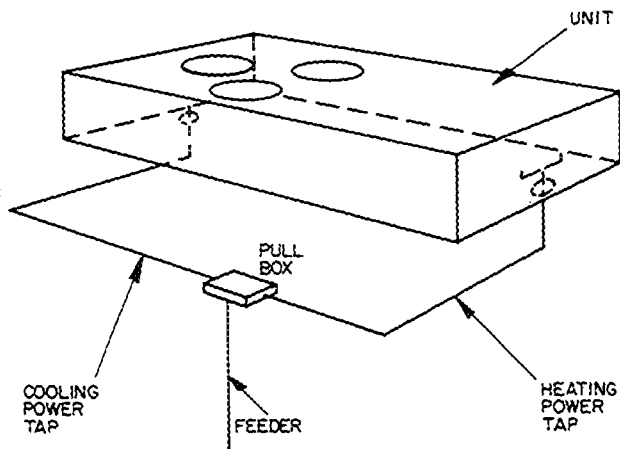
NOTE: Terminal boards provided for heater power wire connections are suitable for use with copper or aluminum wire.

POWER WIRING DATA

UNIT	VOLTS (Nom)	KW (Unit Total)	MINIMUM CKT AMP				UNIT	VOLTS (Nom)	KW (Unit Total)	MINIMUM CKT AMP					
			Cooling	Heating Circuit		Common				Cooling	Heating Circuit		Common		
				1	2						1	2			
50ME016	200	53	109.8	190.5	—	206.7	15 Hp IFM	200	79	210.8	285.9	—	353.8		
	230	53	98.9	165.6	—	181.7		230	79	188.9	248.5	—	313.2		
	460	53	49.5	82.9	—	90.9		460	79	94.5	124.3	—	156.7		
	50ME024	200	70	109.8	254.0	—	270.2	20 Hp IFM	200	79	224.6	285.9	—	367.6	
		230	70	98.9	220.9	—	234.1		230	79	200.9	248.5	—	325.2	
		460	70	49.5	110.5	—	117.1		460	79	100.5	124.3	—	162.7	
		50ME028	200	106	109.8	190.5	190.5	397.2	15 Hp IFM	200	106	210.8	190.5	190.5	427.0
			230	106	98.9	165.8	165.8	344.8		230	106	188.9	165.1	165.1	369.8
			460	106	49.5	165.8	—	172.4		460	106	94.5	165.6	—	185.4
50ME030			575	106	39.6	132.5	—	138.1	20 Hp IFM	200	106	224.6	190.5	190.5	442.0
			200	53	138.0	190.5	—	233.3		230	106	200.9	165.1	165.1	383.2
			230	53	124.2	165.6	—	207.0		460	106	100.5	165.6	—	192.2
	50ME040		460	53	61.9	82.9	—	103.4	15 Hp IFM	200	158	210.9	285.9	285.9	617.8
			200	70	138.0	254.0	—	278.0		230	158	188.9	248.5	248.5	536.6
			230	70	124.2	220.9	—	242.9		460	158	94.5	248.5	—	268.3
		50ME040	460	70	61.9	110.5	—	121.5	20 Hp IFM	575	158	75.6	198.8	—	214.8
			200	106	138.0	190.5	190.5	405.0		200	158	224.6	285.9	285.9	632.8
			230	106	124.2	165.8	165.8	353.6		230	158	200.9	248.5	248.5	550.0
50ME040			460	106	61.9	165.8	—	176.8	15 Hp IFM	460	158	100.5	248.5	—	275.1
			575	106	49.2	132.5	—	141.5		575	158	80.6	198.8	—	220.1
			200	66	168.9	238.1	—	288.0		200	79	247.7	285.9	—	390.7
	50ME040		230	66	151.7	207.1	—	255.2	20 Hp IFM	230	79	233.5	248.5	—	357.8
			460	66	75.8	102.8	—	127.2		460	79	116.7	124.3	—	178.9
			200	88	168.9	317.3	—	346.8		200	79	261.5	285.9	—	404.5
		50ME040	230	88	151.7	276.1	—	302.1	15 Hp IFM	230	79	245.5	248.5	—	369.8
			460	88	75.8	138.0	—	151.0		460	79	122.7	124.3	—	184.9
			200	132	168.9	238.3	238.3	506.1		200	106	247.7	190.5	190.5	438.2
50ME040			230	132	151.7	207.1	207.1	440.2	20 Hp IFM	230	106	233.5	165.1	165.1	398.6
			460	132	75.8	207.1	—	220.1		460	106	116.7	165.6	—	199.5
			575	132	60.2	165.6	—	176.1		200	106	261.5	190.5	190.5	452.0
	50ME040		200	66	188.0	238.1	—	307.1	15 Hp IFM	230	106	245.5	165.1	165.1	410.3
			230	66	168.9	207.1	—	272.5		460	106	122.7	165.6	—	205.5
			460	66	84.5	102.8	—	135.9		200	158	247.7	285.9	285.9	628.9
		50ME040	200	88	188.0	317.1	—	346.6	20 Hp IFM	230	158	233.7	248.5	248.5	565.0
			230	88	168.9	276.1	—	307.0		460	158	116.7	248.5	—	282.4
			460	88	84.5	138.0	—	153.5		575	158	95.0	198.8	—	227.5
50ME040			200	132	188.0	238.3	238.3	506.1	15 Hp IFM	200	158	261.5	285.9	285.9	642.7
			230	132	168.9	207.1	207.1	445.0		230	158	245.5	248.5	248.5	576.8
			460	132	84.5	207.1	—	222.6		460	158	122.7	248.5	—	288.4
	50ME040		575	132	67.3	165.6	—	177.7	20 Hp IFM	575	158	100.0	198.8	—	232.5

IFM — Indoor Air Fan Motor

General information



Where a single feeder is to be used, the cooling power tap may be sized according to the Cooling Minimum Wire Amps shown in the Power Wiring Data table provided the tap is 10 ft or less in length and enclosed in a raceway.

Similarly, the heating power tap may be sized according to the Heating Minimum Wire Amps shown in the table provided the tap is 25 ft or less in length and enclosed in a raceway.

If reheat is necessary for humidity control in all or part of the modules, use caution in sizing common feeder as heating and cooling can occur simultaneously in each reheat module.

For 200/230-volt units, line protection is internal to the unit. For 460/575-volt units, overcurrent protection must be provided in each power tap per NEC.

# Electrical data (cont)

## Operating sequence

When unit power is on and no zone thermostat is calling for cooling or heating, the indoor air fan and crankcase heaters are on. The outdoor air dampers are at the preset position, the burner pilots are lit and the forced-draft fan is on.

**Cooling** — On call for cooling from a zone, compressor no. 1 with 2 unloaders starts; a liquid line solenoid for that zone evaporator coil(s) opens and outdoor air fan motor no. 1 starts. Compressor will load or unload in response to suction pressure as required. If additional cooling is required (i.e. more zones call for cooling), compressor no. 2 (no unloaders) will be energized and cycle as required.

If the heat load is not sufficient to maintain operation of compressor no. 1 in an unloaded condition, the hot gas bypass valve will meter hot gas to the outdoor air evaporator coil to supply additional load. The Motormaster® head pressure control will vary speed of outdoor air fan motor no. 1 to regulate the airflow across the condenser coil.

As required, outdoor air fan no. 2 (and no. 3 on 034 and 040) will cycle on and off in response to head pressure via a fan cycling switch.

→ **Gas heating** — On call for heating from a zone, the gas valve is energized. The heat exchanger for that zone will be at full-rate firing. Reheat humidity control can be achieved by wiring a humidistat in parallel with the cooling thermostat. If zone temperature drops below setting of heating thermostat because humidistat is closed, heating mode will be energized to maintain zone space temperature.

**Electric heating** — On call for heating from a zone, the first-stage heating relay activates the first-stage contactor which energizes the first-stage heating element. On call for additional heating, the second stage of the thermostat activates the second-stage relay, contactor and heating element. If unit has 3-stage heat, the third (last) stage of heat can be energized only if the outdoor air temperature is below the outdoor air thermostat setting (adjustable). If the outdoor air temperature is above the outdoor air thermostat setting, the last stage of heat is locked out on **all** zone modules. The heating elements are connected so that the load on the 3-phase power supply is always nearly balanced.

**Electric heat lockout** — If any zone module is operating on mechanical cooling (compressor is operating as described previously) one heating element in each zone module is locked out and cannot be energized.

**Hot water/glycol heating** — On call for heat from a zone thermostat, the heating relay and heating coil solenoid valve for that zone are energized. If 2 or more zone modules are joined to serve a common zone, stage 2 of the heating thermostat may be used to provide staged heating capacity control.

**Reheat humidity control** can be achieved by wiring a humidistat in parallel with the cooling thermostat. If the zone temperature drops below setting of heating thermostat because humidistat is closed, heating mode will be energized to maintain zone space temperature.

**Modulating outdoor air control (economizer)** — When outdoor air temperature drops to outdoor thermostat setting (55 F adjustable), the compressors are locked out. When a zone calls for cooling, the mixed air thermostat (58 F adjustable) modulates the outdoor air dampers to permit cooling with outdoor air.

**Exhaust air dampers** — When unit is in economizer mode, the exhaust relay energizes the outdoor air fans at full speed. As the outdoor air dampers open and the return air dampers close in response to the mixed air thermostat, the exhaust air dampers open to permit power exhaust of returning indoor air.

**Roll filter** — As filter media becomes clogged, an air pressure switch activates a drive motor to automatically advance clean filter media into the return airstream. A filter light can be used to indicate that filter media roll has been expended.

**Remote control panel** — This central station control will operate the unit or override zone thermostat settings to lock out heating or cooling. Panel has a DAY/NIGHT switch and a damper position knob for in-space central control of these functions, and a FILTER light to indicate reduced airflow and need for clean filters.



# Application data

## Refrigeration system

**Psychrometrics** — The 48MA/50ME units differ psychrometrically from the conventional multizones due to the operation of the outdoor air coil. The coil in the Carrier units cools and dehumidifies the outdoor air entering the unit thus assuring that raw outdoor air is not passed along to the zones. This air treatment by the outdoor air coil (and also by the zone module evaporator coils) provides excellent low load performance and precise temperature control to the conditioned space. The only large load variation occurs on the outdoor air coil where a thermal expansion valve is used. This allows the use of simple capillary tube expansion devices on the zone coils. The zone coils cool and dehumidify a mixture of return air and outdoor air — outdoor air at the approximate dew point temperature of the return air.

The Psychrometric Chart illustrates this air treatment for a typical set of conditions. As an example: 1000 cfm of outdoor air at 95 F/75 F having 99 grains moisture content enters the outdoor air coil and is cooled and treated so that the air leaving the coil has 68 grains of moisture content. The outdoor air coil under these conditions has a capacity of 60,000 Btuh of which 39,000 Btuh is sensible. This is a coil sensible heat factor of 0.65. By examining the room conditions, it is evident that the outdoor air coil is very effective in removing the latent load. At 75 F/50%, the room content is 64 grains of moisture. The percent moisture removed with respect to room conditions is:

$$\% \text{ removed} = \frac{99 - 68}{99 - 64} \times 100 = \frac{31}{35} = 88.5\%$$

The 1000 cfm of outdoor air at 68 grains is mixed with 8000 cfm of return air at 75 F/50% room conditions (64 grains). This mixture then enters the zone modules and is cooled and dehumidified by the zone coil.

## Heating

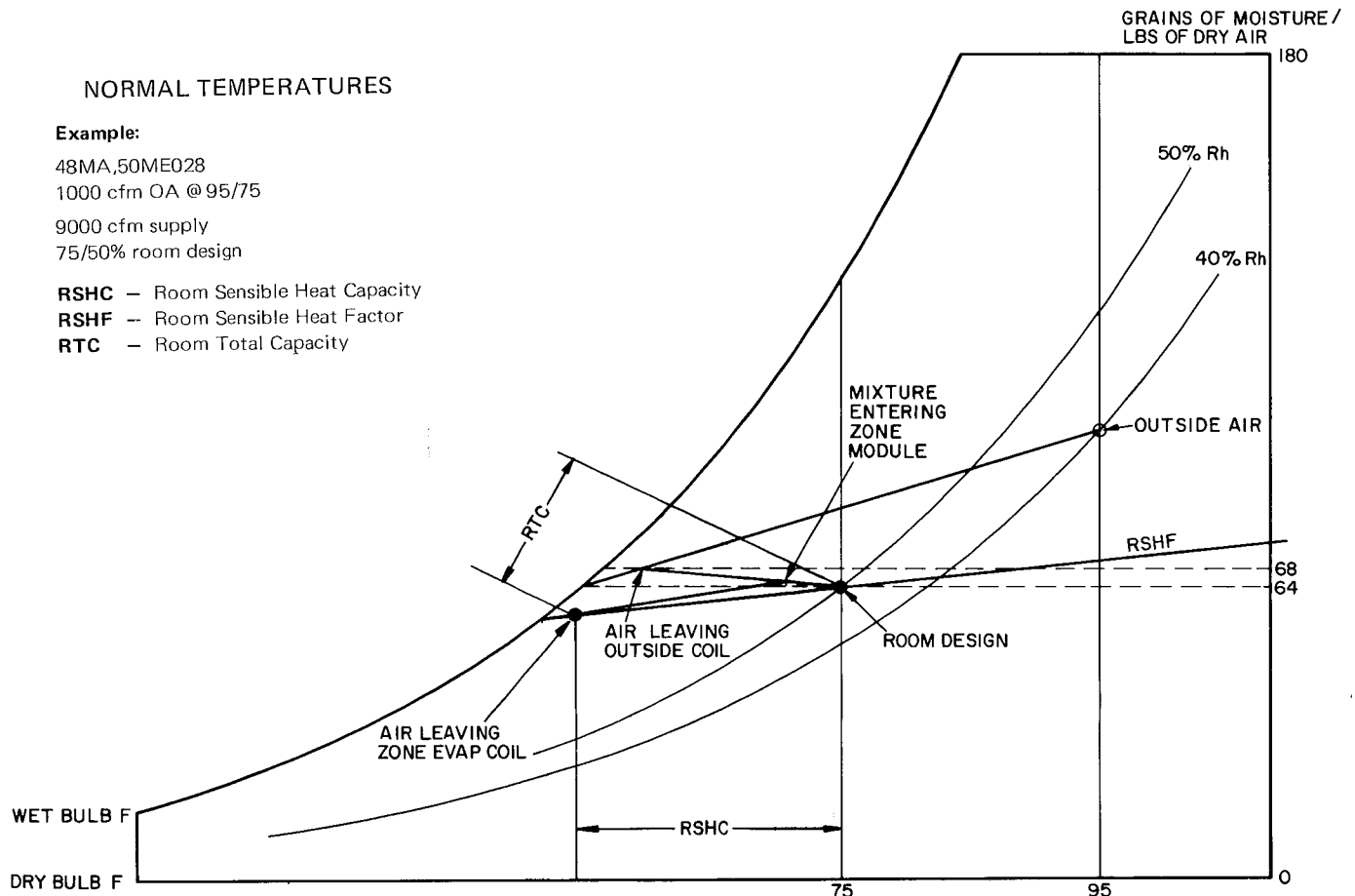
**Gas heating system** — In special applications where natural gas supply is limited, modify units to operate under derated input/output conditions. Derate the modular multi-zone by changing the zone module burner spuds as follows:

TOTAL MODULE DERATED INPUT (%) HIGH FIRE	SPUD SIZE
100	No 38
90	No 41
80	No 43

Contact Carrier Service Department before derating to the above limits.

**Hot water/glycol heating system** — Multizone hot water/glycol heating systems are ideal for renovation of existing buildings where a hot water heating plant is usually available. Each zone module has its own high-capacity

PSYCHROMETRIC CHART — EXAMPLE



# Application data (cont)

heating coil. One connection is required for supply and return hot water/glycol. Connect external piping to the unit in accordance with existing codes. Include proper relief for water flow (the maximum allowable hot water/glycol system working pressure is 30 psi) or a modulating control to compensate for decrease in water flow rate to zone coils under partial load conditions when some coils are cycled closed. System heater coils operate with a water/glycol solution of 20% minimum glycol for proper freeze-up protection. Select and rate hot water/glycol using Hot Water/Glycol Heating Capacities graphs.

Do not install hot water/glycol on a steam system. Where steam is the only heating medium available, use a steam-to-water converter or a steam-to-water interchanger.

## Field-fabricated ductwork

To simplify supply air connection, field fabricate and install a zone duct plenum. Duct plenum may be installed prior to unit positioning if desired. Zone supply air duct openings on base unit are fitted with a tab slot connection similar to those on plenum except for end partitions which are

hemmed. This hem is positioned so that the 1-in. flange at the entering end of the field-fabricated plenum will force-fit between it and adjacent unit frame member.

Use standard flexible duct connections between duct plenum and duct system. Follow applicable codes.

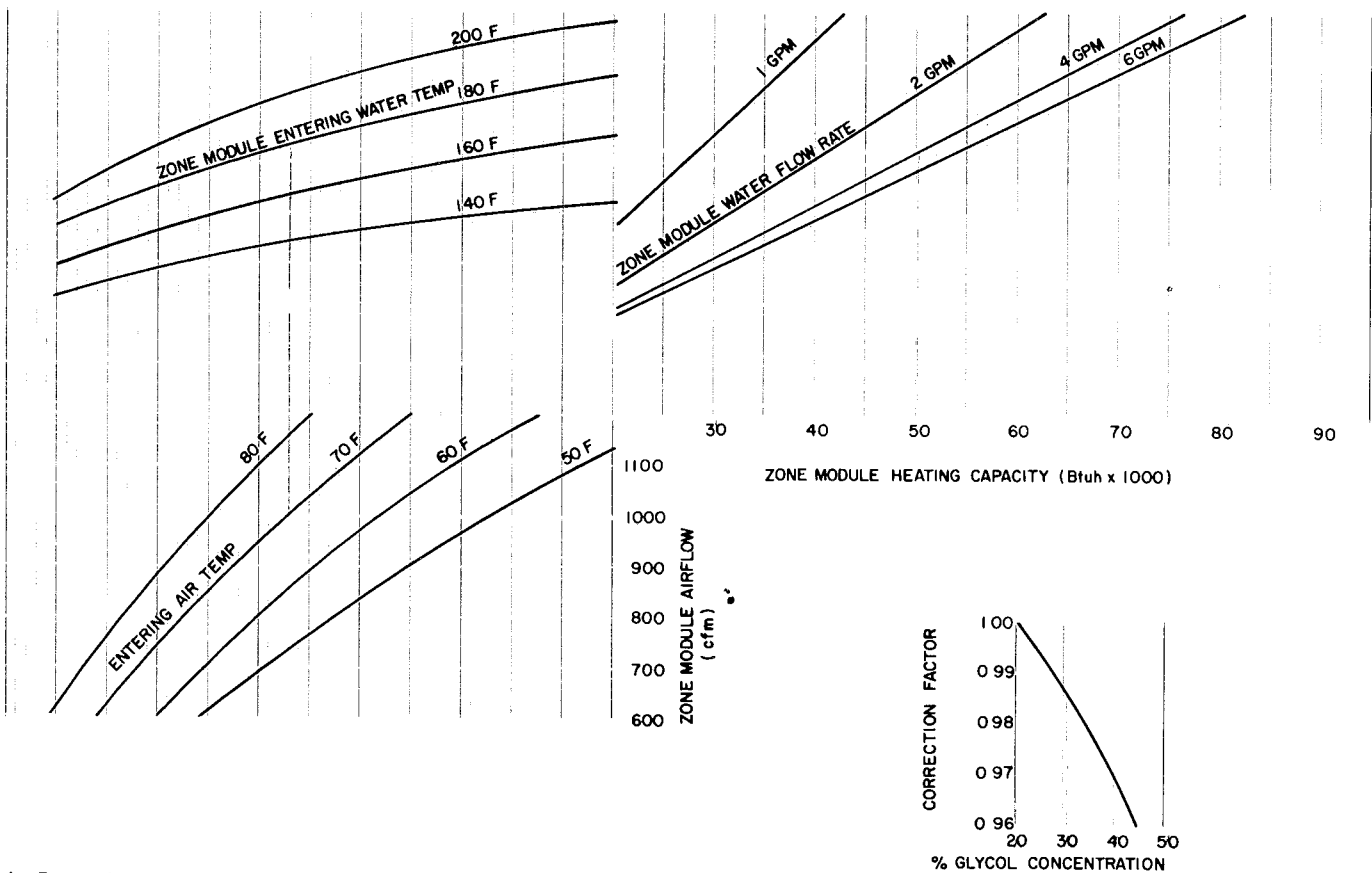
Insulate supply air ducts passing thru unconditioned spaces and cover with vapor barrier. Separate parallel duct runs of longer than 5 ft by insulation to prevent heat transfer between zone ducts.

Return air duct connection consists of 4 sheet metal flanges.

**Balancing dampers** — Provide suitable balancing dampers in each zone duct run. Normally, a 2-bladed damper is preferred to a single blade. Adjust the balancing dampers to give the desired airflow and static pressures in each module. Ready access to balancing dampers is necessary in a multizone system.

**Low cfm, long run zones** — If possible, avoid small zones with long runs. As the cfm decreases at a given duct

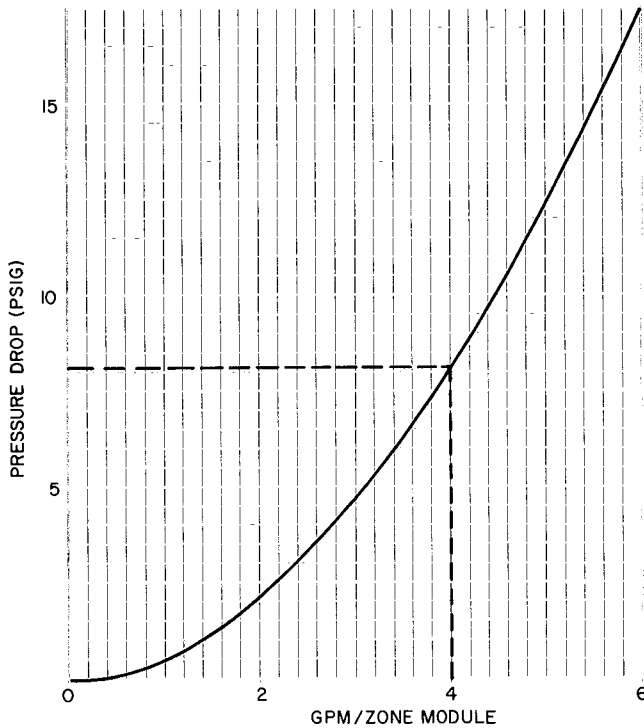
**HOT WATER/GLYCOL HEATING CAPACITIES**  
(Hot Water with 20% Ethylene Glycol Solution)



- Determine zone module air quantity as described in the Selection Procedure (1000 cfm)
- Enter curve at determined zone module air quantity. Project left to intersect with entering air temperature curve (70 F)
- From this intersection, project up to intersect with entering water temperature (180 F)
- From this intersection, project right to intersect with Water Flow Rate (4 gpm).
- From this intersection, project down to read Zone Module Heating Capacity (49,500 Btuh)

- When using solution mixtures above 20% glycol concentration, reduce the capacity using the correction factor  
i.e. If 30% glycol concentration applies to the example,  
Corrected Zone Module Heating Capacity  
= Zone Module Heating Capacity x Correction Factor  
= 49,500 x 0.985  
= 48,750 Btuh
- See Module Pressure Drop graph. The  $\Delta p$  at 4 gpm is 8.2 psig.

## MODULE PRESSURE DROP



NOTE: Greatest module pressure drop represents entire coil pressure drop.

velocity, the friction loss per 100 ft increases significantly. Also, seam and joint leakage in a small duct of long length can prevent delivery of required cfm at the outlet grille. If long runs with low cfm are inevitable, oversize the ducts to give lower velocities, lower friction rates and reduced leakage rates.

## Diversity

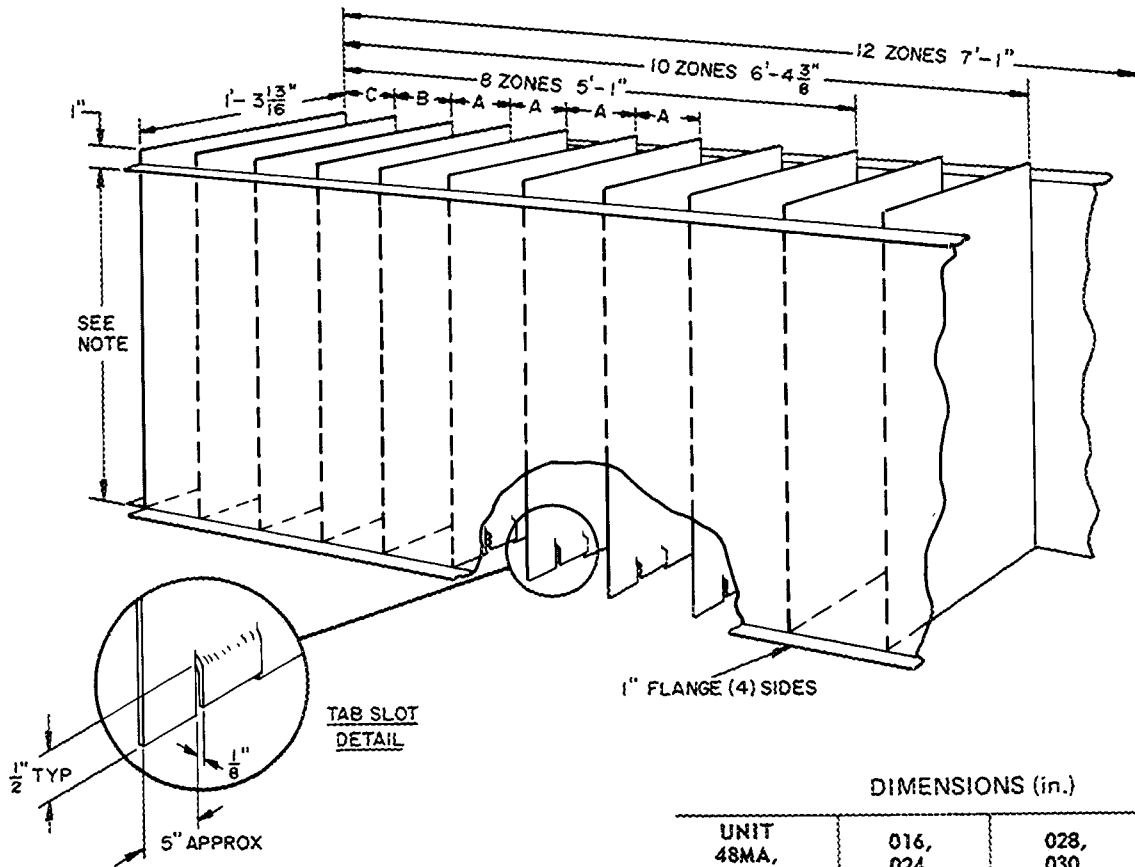
The size, shape and orientation of the building, as well as the application and location of zones, influence the degree of diversity applied to a multizone system.

Since the normal application of multizone units involves zones where loads are shifting due to solar energy, people, equipment and lights, diversity will exist.

The Carrier modular multizones will be affected by building diversity only on refrigeration system operation. When a particular zone (or zones) thermostats are satisfied, a solenoid shuts off the zone evaporator coil. This enables more refrigerant to flow to other operating zone coils, creating a larger capacity for that zone. However, the diversity will lower the selected unit total capacities.

The 48MA/50ME ratings do not reflect diversity but can be converted to diversity ratings by using the capacity

## FIELD-FABRICATED ZONE DUCT PLENUM DETAIL



DIMENSIONS (in.)

UNIT 48MA, 50ME	016, 024	028, 030	034, 040
A	7 $\frac{7}{8}$	7 $\frac{7}{8}$	7 $\frac{7}{8}$
B	7 $\frac{7}{8}$	7 $\frac{7}{8}$	7 $\frac{7}{8}$
C	7 $\frac{7}{8}$	7 $\frac{7}{8}$	5 $\frac{3}{4}$

NOTE: Dimension to suit job requirements.

# Application data (cont)

correction factors and formulas in the Capacity Correction Factor table.

**CAPACITY CORRECTION FACTOR (CCF)**

LOAD	DIVERSITY FACTOR		
	1.0	90	80
TC (Unit)	1.0	.97	.94
SHC (Unit)	1.0	.94	.89

$$\text{RTC (with diversity)} = \frac{[\text{TC (CCF)} - \text{OATH}]}{\text{Diversity Factor}}$$

$$\text{RSHC (with diversity)} = \frac{[\text{SHC (CCF)} - \text{OASH}]}{\text{Diversity Factor}}$$

This is accomplished by rating the unit assuming that no more than 9 or 10 zones would be on at one time, 90% diversity. The same logic applies to other diversity factors on an average basis, such as 85 or 95%.

A rating with a diversity factor results in a lower room SHF, therefore, a reselection at a higher total unit cfm is advisable to take full advantage of the building diversity.

## Limitations

**Module cfm limits and fan performance** — The cfm limits per zone are 1200 cfm maximum and 600 cfm minimum. The outboard zones in the 8-, 10- and 12-module units are limited to a maximum of 1000 cfm. The limitations are necessary to prevent blow-off to the heat exchangers and into the ductwork. The minimum limit prevents burner cycling on limit switches and prevents electric heater cycling. At reduced cfm's, zone evaporator coils overfeed refrigerant, but there is no liquid flood-back to the compressor as it is protected by a suction line accumulator.

For applications below 600 cfm, modify heating controls as follows:

Gas fired (300 to 599 cfm) — Derate burners as shown on page 33.

Electric Resistance (450 to 599 cfm) — Use first- and second-stage heat on 3-stage units.

Electric Resistance (300 to 449 cfm) — Use first-stage heat on 2- or 3-stage heat units.

Design the duct system so that differences between adjacent zones is kept to a minimum. This reduces internal air leakage between zones in the evaporator section.

Optimum performance is delivered in the 800 to 1000 cfm range. Extremely low cfm requirements reduce unit cooling capacity. For low zone cfm applications, size the zone for a higher cfm (to increase unit efficiency) and divert the extra air into the return air system or a larger interior space. Do not divert extra air into spaces with different perimeter wall orientations.

Fan performance data are based on 15% outdoor air. When the outdoor air dampers are closed and there is no outdoor ventilation air into the unit, unit cfm is reduced by 2% to 6%. This reduction is due to the static pressure drops existing in the separate airflows thru the unit. This reduction is significant in special applications where little or no ventilation is required and cfm requirements are critically designed.

**Maximum ventilation limits** — Under normal mechanical cooling, the amount of ventilation air that can be introduced

is a function of the outdoor air damper setting and negative static pressure at the return air intake of the unit. The Ventilation Air Charts show ventilation air versus negative static pressure at various settings of the outdoor air damper. A 5.5 setting of the ventilation control dial is the maximum opening of the dampers. The ventilation dial can be set in any position from 0 to 5.5 to obtain the desired cfm of outdoor air. The ventilation dial is located on the control panel adjacent to the heating section. NOTE: Outdoor air at other unit cfm values is proportional.

## Dehumidification applications

A space with a high latent load and a very low sensible load may require tempering capability for dehumidification. Typical spaces of this type are conference rooms or visual aids rooms where people congregate with the lights out.

Dehumidification control is achieved on the 48MA/50ME unit by wiring a humidistat in parallel with the cooling thermostat on any zone requiring dehumidification. This may be done on one module or all modules. When using dehumidification control on electric resistance heat units, use extreme care with power wiring as heating and cooling can operate simultaneously in each module.

When the zone's humidity level reaches the setpoint of the humidistat, mechanical refrigeration is activated for that zone module and the air is dehumidified and then tempered on room thermostat demand before being discharged to the zoned space.

## The 48MA/50ME economizer

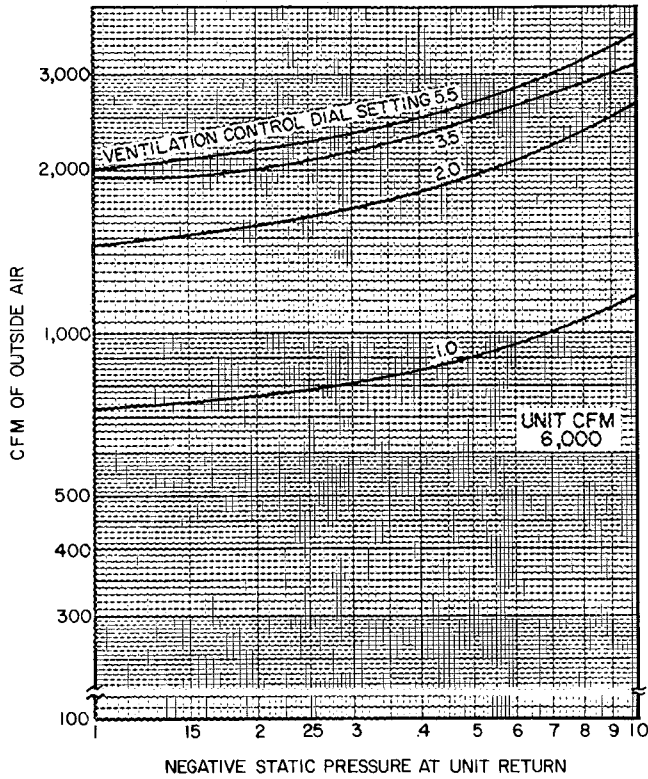
The 48MA/50ME units can be equipped with an economizer control. The control functions as follows. With ambient temperatures above the economizer changeover point, the outdoor air damper is set at the ventilation position, cooling is accomplished by the compressors when the room thermostat calls for cooling. If the zone is not calling for cooling, the mixed air is circulated thru the space. When the ambient temperature drops below the economizer changeover point, the compressors are locked out and the damper motor is under control of a mixed air thermostat to maintain a mixed air temperature low enough to provide cooling when the room thermostat demands it. NOTE: If a non-critical zone opens the unit economizer when most other zones are in the heating mode, to save energy, disconnect the wire at spade terminal number 4 of non-critical zone cooling relay. This will prevent the non-critical zone from energizing the economizer. Mechanical cooling and heating are not affected.

If a zone thermostat calls for cooling while in economizer mode, a set of cooling relay contacts close, energizing the economizer relay as shown on the Economizer Condensing Schematic.

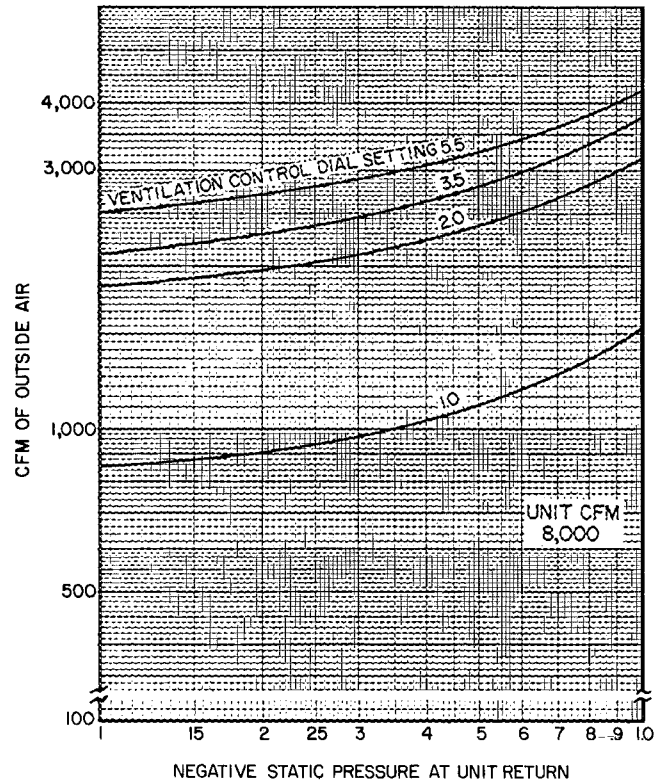
For economizer damper control, the economizer relay locks out the outside air damper adjustable potentiometer and shifts the damper control to a Mixed Air Thermostat (MAT.). The MAT. sensor, located in the fan section, adjusts the outside air damper to maintain a preset mixed air temperature as shown on the Economizer Damper Control Schematic.

The 48MA/50ME economizer operation provides economic use of outdoor air for low-cost cooling. When all

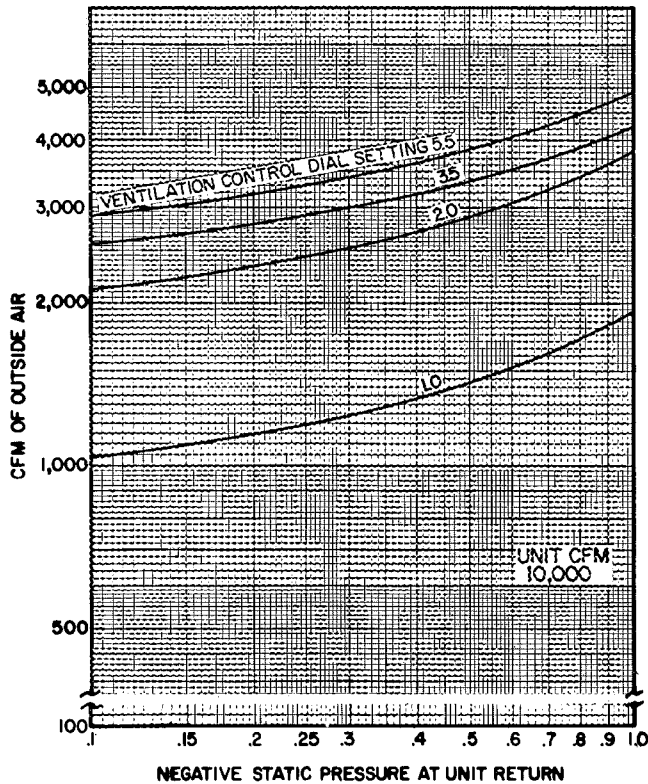
VENTILATION AIR CHART,  
48MA/50ME016



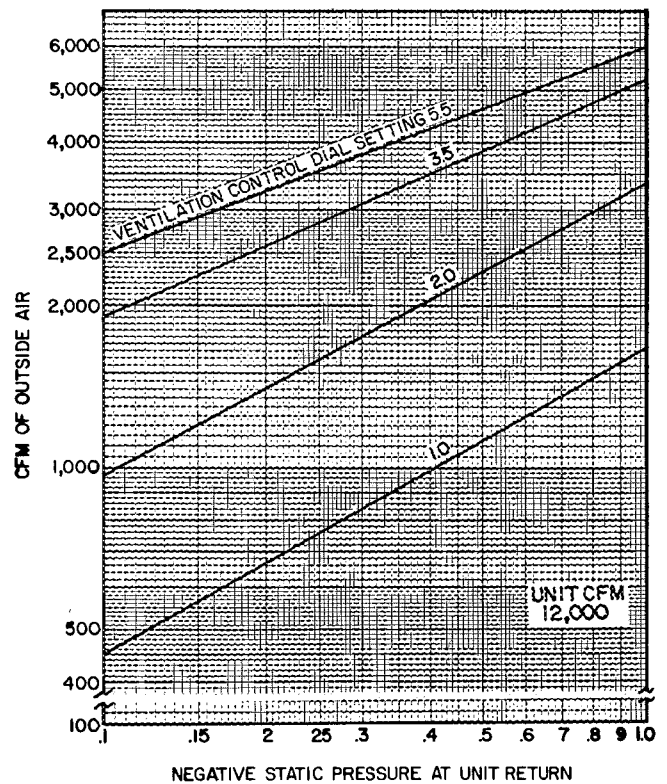
VENTILATION AIR CHART,  
48MA/50ME024



VENTILATION AIR CHART,  
48MA/50ME028,030



VENTILATION AIR CHART,  
48MA/50ME034,040



# Application data (cont)

zone cooling thermostats are satisfied, economizer controls are bypassed and the outdoor dampers are modulated to the minimum ventilation position.

Refer to Economizer Economics to determine if the addition of an economizer is justified.

## Economizer and exhaust performance

An economizer can be factory installed on the 48MA/50ME since the damper motor and outdoor air damper are standard equipment. The economizer package consists of a return air damper, linkage, plug-in relays, MAT. wiring, and mixed air thermostat.

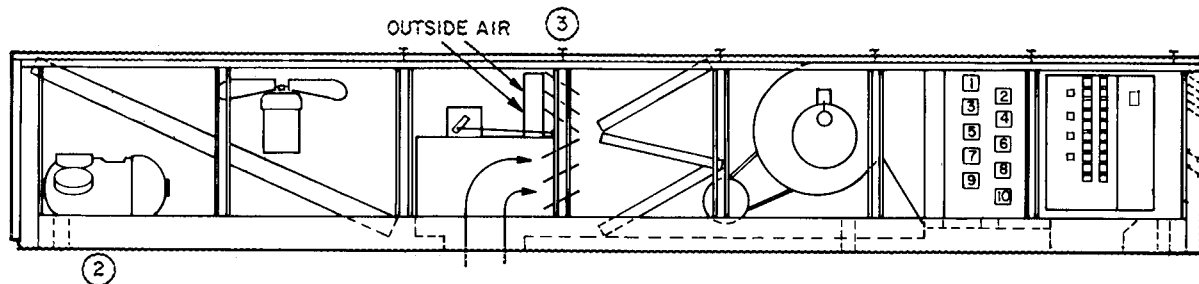
When the 48MA/50ME unit is on full economizer control, the supply cfm to the space drops off slightly since the resistance of the outdoor air intake is generally greater than that of the return air ductwork. To partially offset this, the return air dampers have a built-in bypass.

When the outdoor air dampers are fully open and the return air dampers fully closed, the total cfm drops 15%. The total cfm consists of 70% outdoor air and 30% return air thru the built-in bypass. If, for example, the unit normally operates at 10,000 cfm supply air, the minimum supply cfm

when the economizer is operational is 8500. This 8500 cfm consists of 6000 cfm outdoor air and 2500 cfm return air. As the ambient temperature drops from 48 F (recommended economizer setpoint), the proportion of outdoor air to the supply air required to maintain mixed air temperature is less, the outdoor air damper begins to close, and return air damper begins to open. As this happens, total supply cfm progressively increases from 8500 cfm to 10,000 cfm (design).

An exhaust damper is also available for use with the economizer. It is located between the return air plenum and the condenser fans. The exhaust damper consists of a plug-in relay, an exhaust damper, and a plug-in jumper. The damper provides a forced exhaust of indoor air during the economizer operation. The exhaust damper opens when the return air damper is 25% closed. With the damper installed, exhaust relay and economizer relay are energized simultaneously. The exhaust relay locks out the outdoor fan motor controls. Outdoor (condensing) fan motors operate at full speed, discharging excess return air to the atmosphere thru the open exhaust damper as shown in Exhaust Damper Operation.

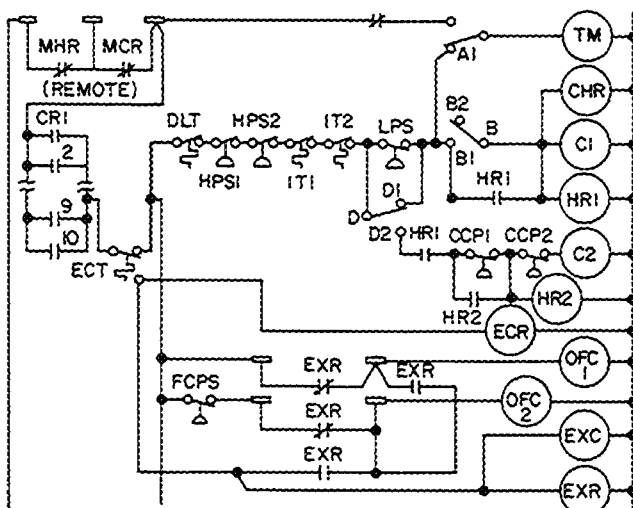
## ECONOMIZER OPERATION



### SEQUENCE:

- 1 - Ambient temperature decreases.
- 2 - Compressor is locked out by economizer control thermostat
- 3 - Outside air damper is regulated by mixed air thermostat to maintain fixed mixed air temperature.

## ECONOMIZER CONDENSING SCHEMATIC



### LEGEND

- C - Compressor Contactor
- CCP - Capacity Control Pressurestat
- CHR - Crankcase Heater Relay
- CR - Cooling Relay
- DLT - Discharge Line Thermostat
- ECR - Economizer Relay
- ECT - Economizer Thermostat
- EXC - Exhaust Motor Contactor
- EXR - Exhaust Relay
- FCPS - Fan Cycling Pressurestat
- HPS - High Pressure Switch
- HR - Holding Relay
- IT - Internal Thermostat
- LPS - Low-Pressure Switch
- MCR - Master Cooling Relay
- MHR - Master Heating Relay
- OFC - Outdoor Fan Contactor
- TM - Timer Motor

The 48MA/50ME exhaust operation is similar in performance to a relief damper except that the exhaust dampers are mechanically linked to the return air dampers and the condenser fans operate to produce a pressure differential which aids the exhaust cycle. At approximately 0 in. wg at the return air opening, the 48MA/50ME units exhaust between 150 to 200 cfm/ton. With positive return static, more air is exhausted. At -0.40 in. wg (.25 in. wg on the 016 unit) return air static, exhaust capabilities of the units drop to zero.

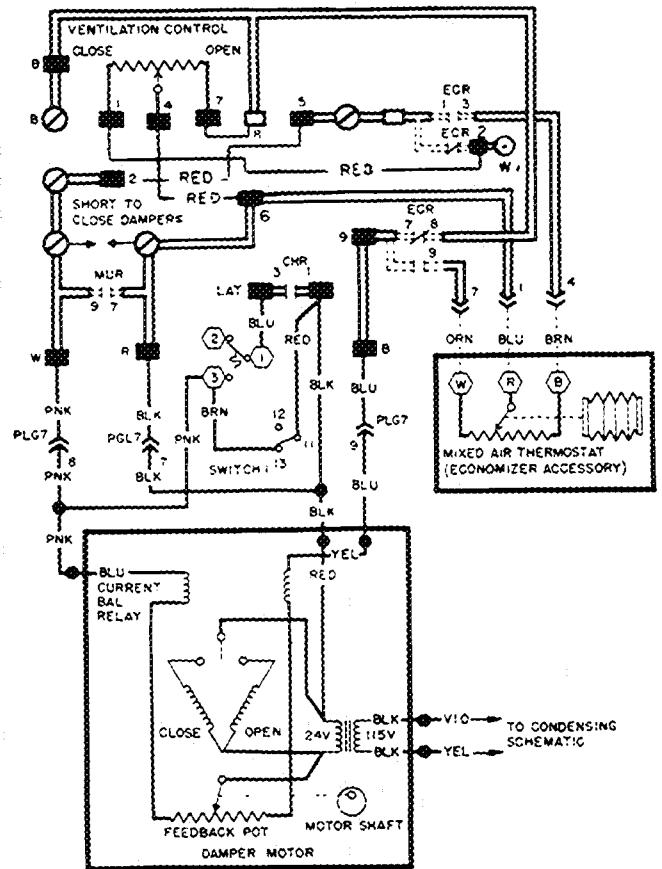
In the previous example, the 4000 cfm exhausted at 0 in. return static accounts for all but 1100 cfm outdoor air introduced by the economizer outside air section. In practice, this excess cfm is considered a nominal ventilation rate, slightly pressurizing a building to eliminate drafts and unwanted air seepage. This excess air filters out of the building thru doors and window spaces. The slight positive pressurization of the building aids the exhaust fans in removing air. If, however, the balance between the building static and exhaust system leaves the building with unacceptably high positive static pressures, a relief ventilator or roof power exhauster may be used. For extensive or complicated return air duct systems with static pressure greater than -0.2 in. wg at the return air plenum, duct mounted return air exhaust fans can be installed.

### Return air systems

If the ceiling plenum on a top floor is used as a return air plenum, the return air is heated from the time it leaves the room and enters the unit. This added plenum heat is due to roof load or heat from lighting. The roof load does not raise the return air temperature significantly and its effect is negligible when selecting a unit.

Return air light troffers, however, can add considerable heat to the return air. A 48MA/50ME unit with a return air light troffer system can impose various design problems since the purpose of the system is to reduce the supply cfm to the space by reducing the space load. With the 48MA/50ME this may result in a very low supply cfm — much lower than the unit was designed for. If the supply cfm is raised to satisfy the unit, the purpose of the return air light troffers is defeated. As a general rule, a return air

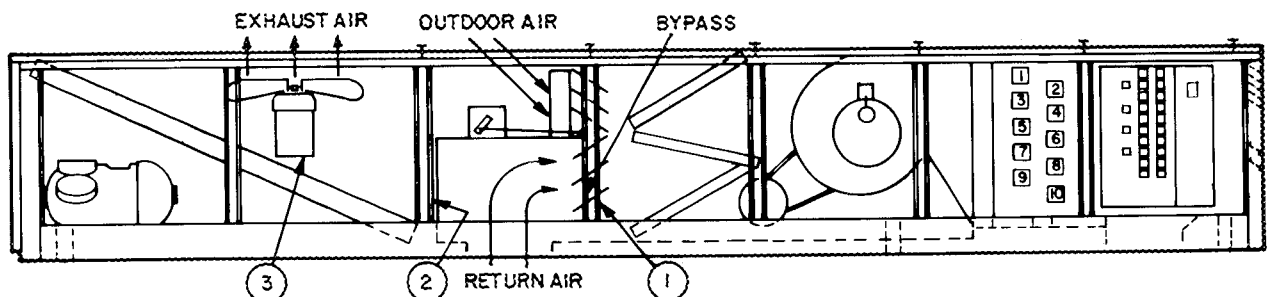
### ECONOMIZER DAMPER CONTROL SCHEMATIC



#### LEGEND

- CHR — Crankcase Heater Relay
- ECR — Economizer Relay
- LAT — Low Ambient Thermostat
- MUR — Master Unit Relay
- PLG — Plug

### EXHAUST DAMPER OPERATION



#### SEQUENCE:

- 1 — Return damper closes 25%
- 2 — The exhaust damper opens
- 3 — The OFM (condensing fans) speed controls are bypassed and fans run full speed, exhausting return air to atmosphere

# Application data (cont)

temperature rise of 5 to 10 F does not cause a problem, and special ratings can be made available.

In addition, when the supply cfm is reduced, as above, the outdoor air quantity remains constant. This results in a higher than normal percentage of outdoor air which the 48MA/50ME unit may not be capable of introducing. For return air light troffer systems, exercise care when using the light manufacturer's data concerning the amount of heat actually returned to the unit because with the higher return air temperature, a portion of the heat is transmitted back to the space thru the ceiling.

## Economizer economics

Economizer control on a multizone unit does not necessarily reduce operating cost as it would on a single zone unit. A single zone unit either heats or cools; a multizone unit can do both simultaneously. Therefore, in a multizone, the economizer operates to maintain a mixed air temperature low enough to cool a zone with a high internal load. The remaining zones requiring less cooling or heating must have heat added to offset cooling capacity available but not needed. This is true of any multizone with any type of control system.

The amount of heat required to neutralize the over-cooling capacity is dependent on.

1. The percent cooling capacity required from the unit, and
2. The mixed air temperature required to satisfy the zone with the highest internal load.

As the ambient temperature drops, the percent of outdoor air needed to maintain a mixed air temperature is less. Since the reheat or wasted heat added is a function of the difference between outdoor air introduced and ventilation rate, operating cost is reduced at lower ambients. A high ventilation rate also reduces the reheat requirement and associated cost. The following example illustrates the need for a careful analysis of job requirements before arbitrarily selecting economizer control.

Example.

A 48MA/50ME unit is operating with economizer control and supplying 10,000 cfm of 55 F mixed air. The normal ventilation rate is 2000 cfm. Assuming a realistic cooling load of 50%, 5000 cfm of the 55 F air is used for cooling. Since the ventilation rate is 2000 cfm, half is sent to the cooling zones leaving 4000 cfm of low-cost cooling. The remaining 5000 cfm of 55 F air, including 1000 cfm of ventilation air, is going to zones with either no load or a heating load and must be neutralized.

Although 4000 cfm of low-cost cooling is obtained, an extra 4000 cfm of air must be heated to some degree above that of a unit without economizer controls.

For an identical unit without economizer control, only 4000 cfm of the 5000 cfm needed for cooling requires mechanical cooling, since the 1000 cfm of ventilation air is already cooled. Of the other 5000 cfm, 4000 cfm is return air and is neutral, and 1000 cfm is ventilation air to be heated. In the final analysis, it must be determined if it is more economical to heat 4000 cfm from 55 F to 75 F, or to cool it from 75 F to 55 F. The answer depends on the efficiency of the cooling and heating source.

As an example of economizer economics, the Economizer Break-Even Point graph plots percent cooling load versus relative energy cost (electricity to gas) and is based on the following typical assumptions:

- 48MA028 — 10,000 cfm, 15% outdoor air
- 48 F outdoor changeover temperature
- 75 F room design
- 55 F supply air temperature
- Compressor C.O.P. of 3.3 (100 F condensing temperature and unloaded compressor were used to obtain this value)

The relative cost figures are in \$/Btu input for gas and \$/kwh electric cost converted to Btu

Example:

- \$.25/100,000 Btu (input) — gas cost
- \$.031/kwh — electric cost

Convert electric cost:

$$$.031/\text{kwh} \times \text{kwh}/3413 \text{ Btu} \times \frac{100,000 \text{ Btu}}{100,000 \text{ Btu}} = \$.91/100,000 \text{ Btu}$$

Cost Ratio.

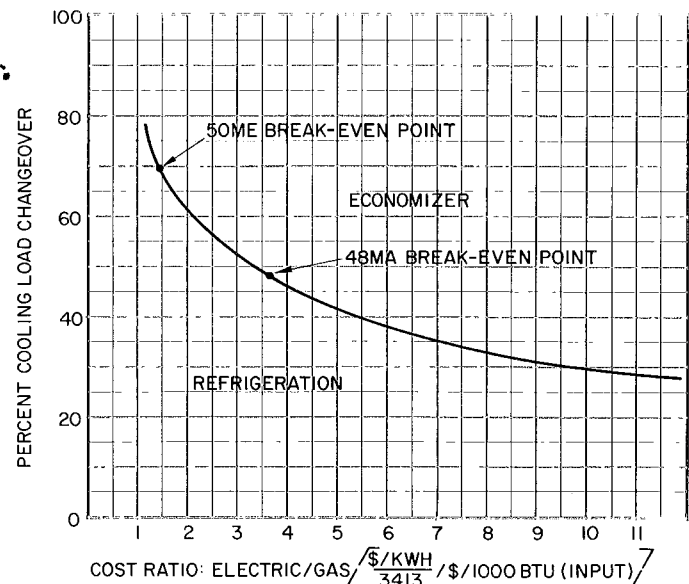
$$\frac{$.91/100,000 \text{ Btu}}{.25/100,000 \text{ Btu}} = 3.64$$

For 48MA units, the cooling load must be greater than 48% to justify use of economizer.

For 50ME electric heat units, the cooling load break-even point is 70%; the internal load must be greater than 70% to justify economizer control.

The cooling load for this comparison is the internal load (lights and people) minus the negative transmission at the changeover temperature (48 F). To determine the percent cooling load, compare this value to the unit design cooling capacity.

48MA/50ME ECONOMIZER BREAK-EVEN POINT





## Night setback

Night setback control can be added to a 48MA/50ME unit using field-supplied components. There are 3 sets of terminals on the accessory section as shown in Zone Control Board. Terminal sets are: cooling lockout (CL), night setback (NS) and "Short To Close Dampers." Red jumpers are factory wired across CL and NS; "Short To Close Dampers" are bare. If the circuit between CL terminals is broken, 115-v power to the compressor control circuit liquid line solenoids and economizer thermostat (if used) is shut off. If the circuit between NS terminals is broken, 115-v power to the zone control transformers is shut off. By replacing both jumpers with appropriate switches and connecting proper switch across "Short To Close Dampers," NS control is attained. The 3 most common methods of Night Setback are described below.

For details of actual Night Setback wiring connections, refer to 48MA/50ME wiring booklets.

### Method no. 1 — heating night setback cooling locked out, and continuous indoor fan operation —

This NS system requires a 7-day timer, a night setback relay and a thermostat (heating type) 24-v service. In this system, when timer reaches the "Night" position, CL opens, dampers close and NS opens. The fan continues to operate.

As the temperature falls, the NS thermostat located in the average temperature space energizes the NS relay which in turn energizes the zone control transformers. The individual zones then heat until the NS thermostat is satisfied. The dampers remain closed and cooling is still locked out. If a day/night switch is used, the NS thermostat is overridden and heating is controlled by the normal thermostats.

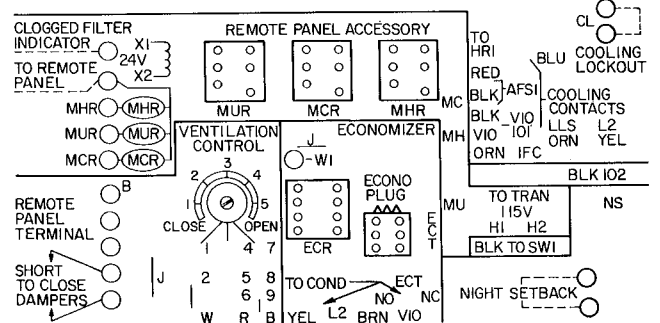
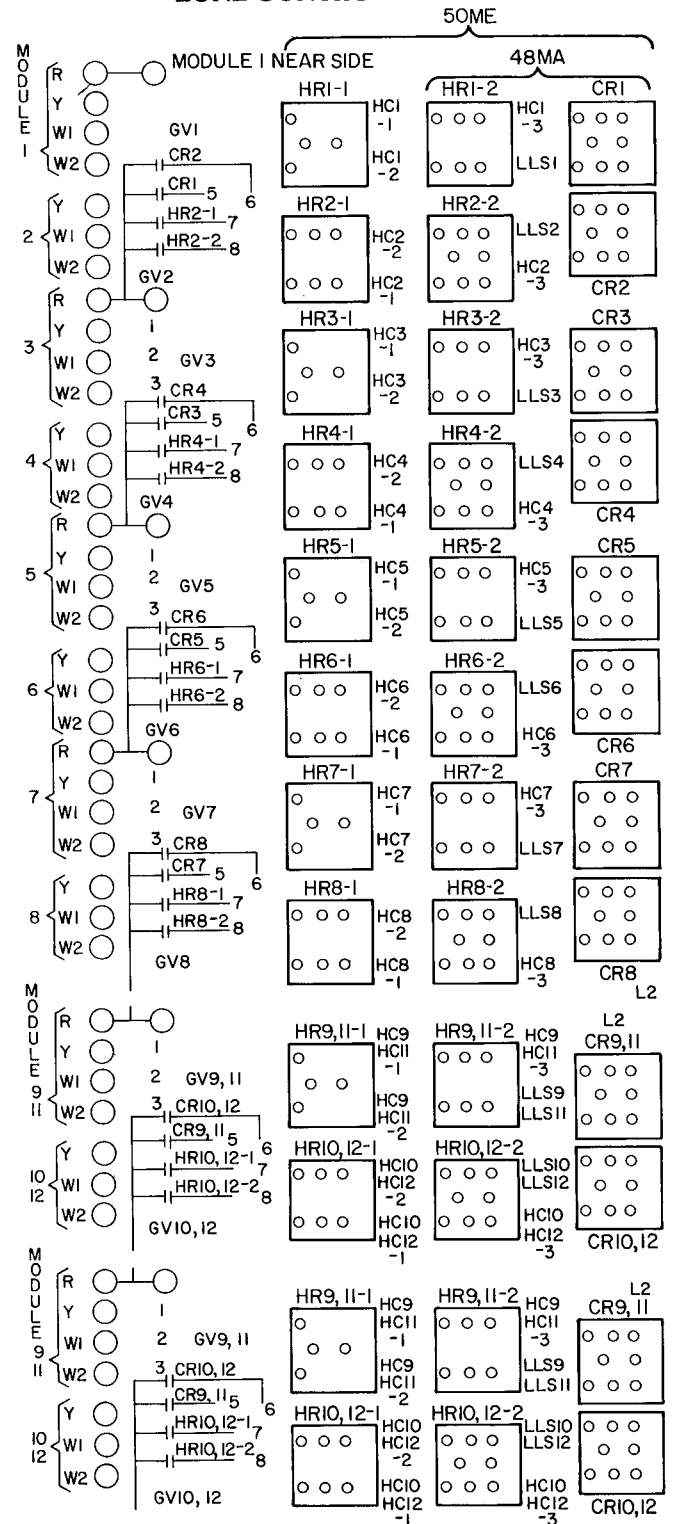
### Method no. 2 — heating night setback, cooling locked out and cycling indoor fans —

This system requires a remote control panel, a 7-day timer, a night setback relay and a thermostat (cooling type). This system requires a master unit relay (MUR) and a master cooling relay (MCR) (24-v wiring). Install the timer and the NS relay in proximity to the remote control panel. This places all wiring inside the building in one area.

In this system, the MUR is energized by the NS controls. This opens a set of normally closed contacts and shuts down the unit, including indoor fans. The outdoor air dampers are also closed by the MUR. Cooling lockout is attained by energizing the MCR. Energizing these 2 relays turns the unit off and the NS system seems to work in reverse.

A cooling thermostat is used on heating NS. When temperature rises, the thermostat, in series with the night switch, energizes the NS relay. Its contacts close and, in series with the time clock contacts, energize the MUR. As the space temperature lowers to the NS setting, the NS thermostat de-energizes the NS relay which de-energizes the MUR, turning on the unit. The day/night switch overrides the NS clock and heating occurs because the NS relay is de-energized. The factory jumpers remain across CL and NS terminals. The dampers close when the indoor fans start. To keep them closed, short across the W-R terminals on the remote control panel or the "Short To Close Dampers" terminals during the NS period.

## ZONE CONTROL BOARD



**Method no. 3 — heating and cooling night setback and indoor fan cycling** — This system requires a remote control panel, a heating and cooling thermostat with subbase, a night setback relay and a 7-day timer.

Because cooling is not locked out, the clock switches that close at night close the outdoor air dampers by connecting across R and W on the remote panel accessory. The MUR shuts down the unit (including the indoor fans). When the NS thermostats reach their settings, the NS relay is energized, opening the NC contacts and de-energizing the MUR.

However, if a "wild" zone exists, it is allowed to cool on heating NS or vice versa. This may be an advantage on some applications between zones. When the day/night is switched to "Day," the NS is overridden and the unit operates normally except the dampers remain closed at night. The 2 jumper wires have to be removed from the back of the remote panel to isolate the day/night switch.

**Morning start-up** — To conserve energy and lower total operating costs, the outdoor dampers may be closed when starting the system in the morning. During a warm-up period, when the system is operated for one or 2 hours before occupancy, heat only building return air. The extra load of cold outdoor air introduced uses extra heat energy. Ventilation is unnecessary until space is occupied, so the air introduced produces unnecessary heat waste.

This principle holds true on a cooling day, when outside air transmits heat and moisture to the evaporator coil. This extra load above the return air only load is an unnecessary expense.

To offset this, wire a heating or cooling thermostat across the "Short To Close Dampers" terminals on the zone control board. The thermostat senses return air

temperature and the outdoor air damper does not open until the building is at the required temperature.

A time clock can also be used and set as follows:

1. Occupied cycle: 8 a.m. to 6 p.m. Outdoor air damper is open and the system is controlled by individual zone thermostats.
2. Night setback cycle: 6 p.m. to 6 a.m. Individual zone thermostats are on night setback (NS) cycle. The outdoor air damper is closed, the unit is reset down and controlled by NS thermostat.
3. Warm-up (or cool-down) cycle: 6 a.m. to 8 a.m. Outside air damper is closed by time clock and the system is controlled by indoor zone thermostats.

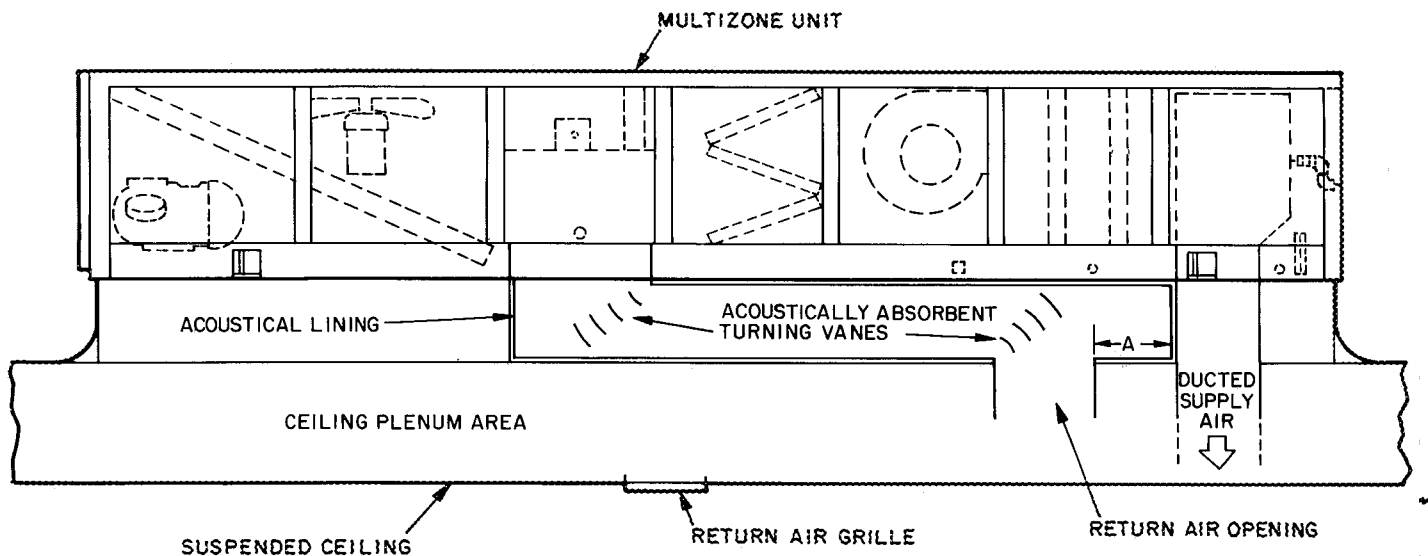
Using any method, increased economy is achieved and building requirements are satisfied.

### Sound and vibration

For maximum sound attenuation, locate roof-mounted multizone units over unoccupied space (i.e. storage areas, utility rooms, corridors) where slightly higher sound levels are not objectionable. Line supply and return duct systems with acoustic material to prevent sound transmission into occupied space. If open plenum return air systems are used, install an acoustical trap or fiberglass-lined chamber to attenuate sound. Use simple return duct elbows and tees with 5-ft minimum fiberglass-lined legs and low static pressure on open plenum return air systems. A method of forming an acoustical trap using the roof curb area under a multizone unit is shown on Acoustical Trap Installation.

Special vibration isolating bases and curbs designed for rooftop applications are available from some vibration isolator manufacturers. This equipment virtually eliminates vibration transmission on critical applications. However,

### ACOUSTICAL TRAP INSTALLATION



**NOTES:**

1. Dimension A is approximately 7 in. for optimum performance.
2. Acoustical lining is 1-in. 1-lb density, neoprene-coated fiberglass.
3. Return air grille should be located at least 15 ft from return air opening.

# Application data (cont)

exercise care when selecting this equipment for use with a multizone. The design and installation of vibration rails on a Carrier 48MA/50ME should ensure that the interfacing of the vibration isolator and the curb maintain watertight integrity.

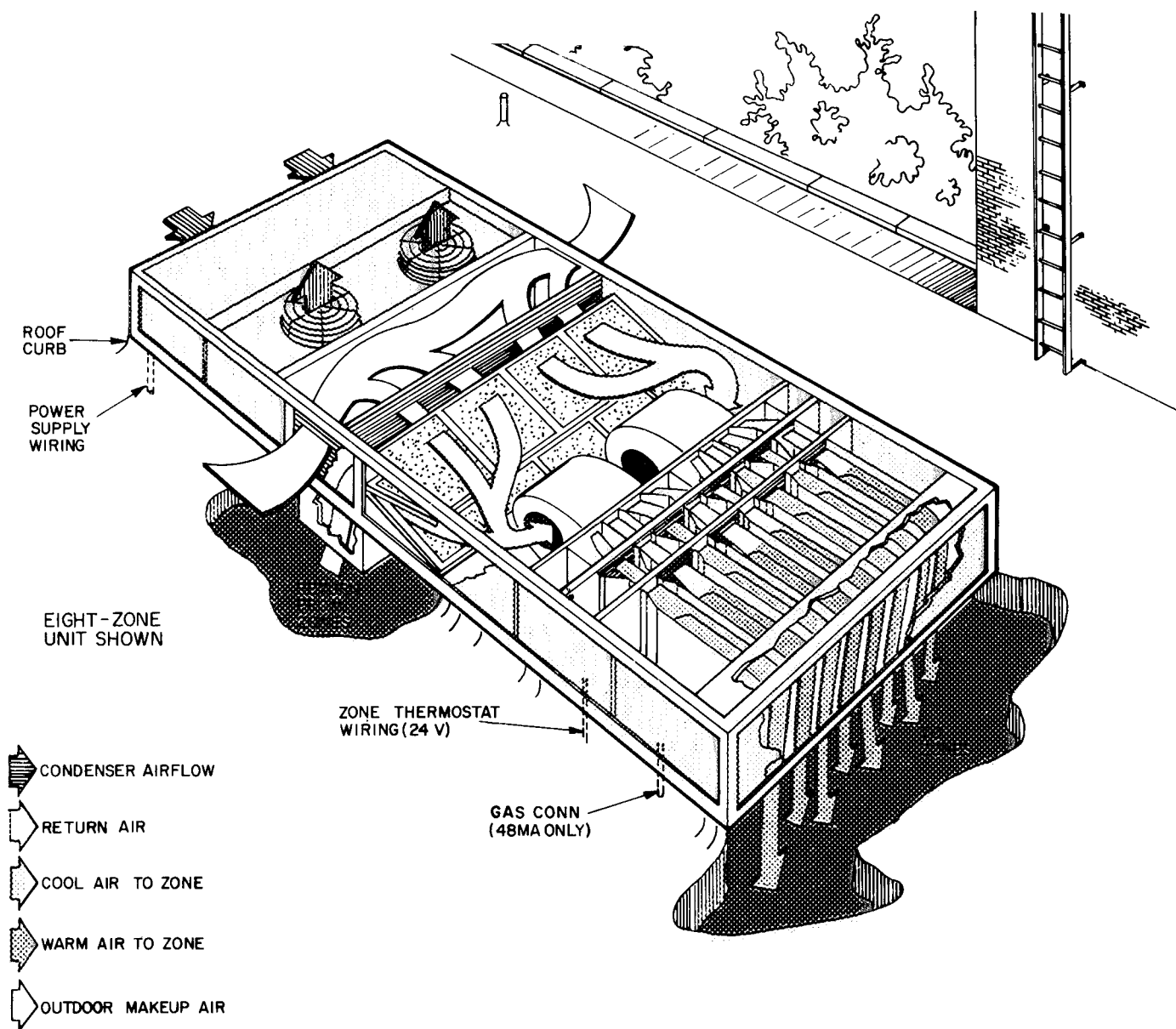
## Thermostat usage and control

**Usage** — The thermostats used with the 48MA/50ME units are either a 2-step heat/1-step cool or 2-step heat/2-step cool. A single module can have only one step of cooling and heating. When 2 or more modules are grouped together, use the 2-step heat/2-step cool thermostat.

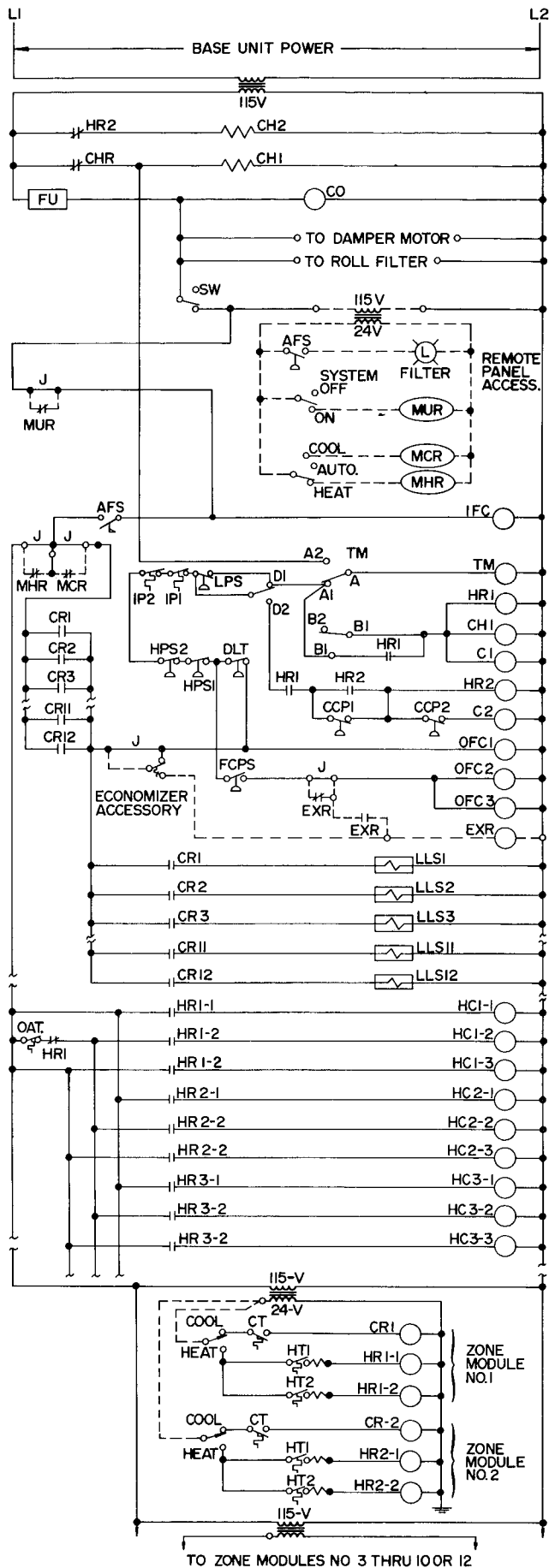
Modules are grouped together by the installation of factory-supplied jumpers on the unit zone control board.

The thermostats are automatic changeover with a 3 F dead spot between heating and cooling. There is a 1 F differential between the first and second steps of heating or cooling. Two subbases are available for use with the thermostats; one with off-heat-auto.-cool switch and one without switches for tamperproof installation. The tamperproof subbase has provisions for locking the thermostat cover and temperature selectors. Refer to 48MA/50ME wiring booklet for thermostat wiring connections.

# Typical piping and wiring



# Typical schematic (50ME shown)



## LEGEND

- AFS — Air Flow Sensor
- APS — Air Pressure Switch
- C — Compressor
- CCP — Capacity Control Pressurestat
- CH — Crankcase Heater
- CHR — Crankcase Heater Relay
- CO — Convenience Outlet
- CR — Cooling Relay
- CT — Cooling Thermostat
- DLT — Discharge Line Thermostat
- ECR — Economizer Relay
- ECT — Economizer Thermostat
- EXR — Exhaust Relay
- FCPS — Fan Cycling Pressure Switch
- Fu — Fuse
- HC — Heating Contactor
- HPS — High-Pressure Switch
- HR — Heating Relay
- HT — Heating Thermostat
- IFC — Indoor Fan Contactor
- IP — Internal Protector
- J — Jumper
- LAT — Low-Ambient Thermostat
- LLS — Liquid Line Thermostat
- LPS — Low Pressurestat
- MCR — Master Cooling Relay
- MHR — Master Heating Relay
- MUR — Master Unit Relay
- OAT — Outdoor Air Thermostat
- OFC — Outdoor Fan Contactor
- Sw — Switch
- TM — Timer Motor
- Factory Wiring
- - - - - Field or Option Wiring

# Guide specifications

## Base unit

**General** — Install \_\_\_\_ self-contained electric cooling, natural or propane gas heating or electric cooling/electric heating (hot water glycol heating) multizone unit(s) specifically designed for rooftop installation mounted on a curb supplied by unit manufacturer. There shall be \_\_\_\_ zones, each having capability to heat or cool independently of requirements of other zones. Compressor(s) shall be capable of unloading in steps of approximately 5 tons to follow variations in cooling loads. Hot gas bypass shall be used to maintain a correct minimum suction temperature at loads below minimum compressor capacity step or between capacity steps. Individual zone control shall not require mixing of heated and cooled air to maintain desired space conditions. All outdoor air for ventilation must pass thru a cooling coil and be cooled and dehumidified whenever mechanical cooling is operating. Unit design shall be tested and certified by AGA. All electrical components shall be UL listed.

**Cabinet** — The unit frame shall be constructed of 6000 series aluminum extrusions. Panels shall be constructed of galvanized steel, bonderized and finished with a baked enamel finish. All panels requiring insulation shall be constructed of 2 separate panels filled with polyurethane foam insulation. All side panels shall be fastened by quick-release compression fasteners and shall be sealed against weather and air leakage by the use of refrigerator door type gaskets. All top panels are to be easily and individually removable for complete access of all components from top as well as sides of unit and shall be fully gasketed to prevent air and water leakage and be able to support the weight of a 250-lb man walking on top of unit. Unit shall not be over (3 ft, 016,024,028,030) (4 ft, 034,040) above the curb height or weigh over (4000 lbs, 016,024; 4500 lbs, 028,030; 6000 lbs, 034,040).

All utility connection openings shall be provided within the curb enclosure. Alternate heating connection openings shall be provided in cabinet front panel to permit installation of shutoff device where required by local codes (48MA).

Alternate electric heating connection openings shall be provided in cabinet front panel (50ME)

**Cooling** — Unit shall have a total capacity of \_\_\_\_ Btuh with a sensible capacity of \_\_\_\_ Btuh while operating at inside conditions of \_\_\_\_ F db and \_\_\_\_ F wb with a total air quantity of \_\_\_\_ cfm and \_\_\_\_ cfm of outdoor air for ventilation. Compressor power shall not exceed \_\_\_\_ kw at these conditions. The refrigerant circuit shall include an accumulator, shutoff valves for compressor suction and discharge, liquid line, and hot gas line. Filter drier and crankcase heater(s) shall be furnished. Unit shall have serviceable hermetic compressor(s) (one on 016, 2 on 024, 028,030,034 and 040).

**Heating (48MA)** — Unit shall have a heating input of \_\_\_\_ Btuh. Gas furnace heat exchangers shall be manufactured of Porcelon™. Burners shall be constructed of stainless steel. Forced-draft combustion shall be standard. The following safety devices shall be part of the gas heating control circuit; main blower airflow switch, combustion air blower flow switch, combustion chamber access door switch, flame sensor, and heating limit switch(es). Each of

these devices must be closed, indicating a safe condition, before gas valve can be energized. Unit shall include a redundant gas valve with intermittent pilot ignition.

**Heating (50ME)** — Electric heat unit shall have a heating capacity of \_\_\_\_ Btuh. Each zone module shall have a 2- or 3-stage electric resistance heater assembly and include circuit breakers, automatic resetting switches for primary thermal protection and heat limiters (fusible links) for secondary thermal protection. Last stage of heat shall be controlled by an adjustable outdoor air thermostat. A lock-out circuit to keep one stage of heaters off if any module is in cooling mode shall be provided. Hot water/glycol heat unit shall have a heating capacity of \_\_\_\_ Btuh. Each zone module shall have its own heating coil. Each heating coil shall include an electric solenoid control valve and a balancing valve. Bleed valves shall be provided. All zone module heating coils shall be factory piped in parallel and shall require no internal field piping or wiring.

**Reheat humidity control** in zone(s) \_\_\_\_ shall be included by installing a humidistat in parallel with the cooling thermostat.

**Electrical controls** — Unit shall be equipped with a time-delay device to prevent short cycling of compressors and ensure staged starting of dual compressor units. Head pressure control down to -20 F with low-ambient starting capabilities shall be furnished. All internal control wiring shall be 115 volts. All external control wiring shall be 24 volts. Factory-installed circuit breakers for power and control circuits shall be suitable for use as disconnect switches. A 350-va, 115-volt convenience outlet shall be part of the main control panel. All relays shall be the plug-in type for reliability and ease of maintenance. In the event of a main blower failure, the complete unit shall be shut down electrically.

**Filters** — 41.6 sq ft of 2-in. low-velocity (optional, high-velocity) filters shall be used. (An optional roll filter with 65 ft of 2-in. media shall be used.)

**Outdoor air damper** — Unit shall be equipped with a modulating outdoor air damper controlled by an electric motor and shall be adjusted by setting a rheostat on the control panel.

**Indoor air fans** shall consist of (2) (3) 15-in. wheels capable of moving \_\_\_\_ cfm of air against an external static pressure of \_\_\_\_ in. wg utilizing \_\_\_\_ bhp. A \_\_\_\_ hp motor shall be installed.

## Accessories and options

**Roof curb** — Install a 2-piece galvanized steel roof curb. Condenser section shall incorporate a pitched panel for water drainoff and a main power electrical opening. A seal strip shall be included to seal space between unit and curb and provide vibration isolation.

**Economizer** — An economizer control shall be included which shuts off mechanical refrigeration at \_\_\_\_ F outdoor air temperature and modulates outdoor air and return air damper to maintain a mixed air temperature of \_\_\_\_ F.

# Guide specifications (cont)

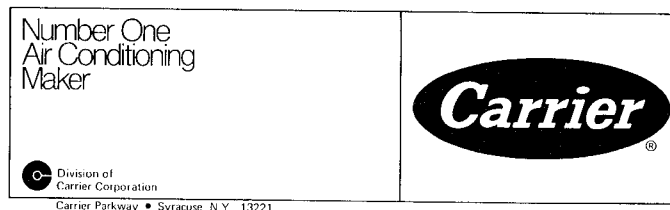
**Exhaust feature** — Provision shall be made for positive exhaust of room air when unit is operating on economizer cycle.

**Remote control panel** — Furnish a remote control panel which contains a ventilation position adjustment, SYSTEM switch, DAY/NIGHT switch, HEAT-COOL-AUTO-OFF switch and a clogged filter indicator light. Panel must have provision for 3 additional indicator lights

**High-efficiency filters** — Furnish and install filters with 36.5% efficiency (NBS Dust Spot Test).

**Roll filter** — Install a motorized roll filter with 65 ft x 2-in. of media, a runout switch and automatic advancing switch.

**Cooling only** — Unit shall have no heaters but shall have 24-volt heating controls and 115-volt power terminals suitable for operation of field-installed steam, hot water or electric heat.



Manufacturer reserves the right to discontinue, or change at any time, specifications or designs without notice and without incurring obligations.

Book	1	1
Tab	1c	1d

Form 48MA/50ME-3P Supersedes 48MA/50ME-2P

Printed in U.S.A.

1-82

PC 111

Catalog No 524-814

## Free Manuals Download Website

<http://myh66.com>

<http://usermanuals.us>

<http://www.somanuals.com>

<http://www.4manuals.cc>

<http://www.manual-lib.com>

<http://www.404manual.com>

<http://www.luxmanual.com>

<http://aubethermostatmanual.com>

Golf course search by state

<http://golfingnear.com>

Email search by domain

<http://emailbydomain.com>

Auto manuals search

<http://auto.somanuals.com>

TV manuals search

<http://tv.somanuals.com>