

Visit www.carrier.com

Installation and Start-Up Instructions

NOTE: Read the entire instruction manual before starting the installation.

This symbol → indicates a change since the last issue.

SAFETY CONSIDERATIONS

Improper installation, adjustment, alteration, service, maintenance, or use can cause explosion, fire, electrical shock, or other conditions which may cause death, personal injury, or property damage. Consult a qualified installer, service agency, or your distributor or branch for information or assistance. The qualified installer or agency must use factory-authorized kits or accessories when modifying this product. Refer to the individual instructions packaged with the kits or accessories when installing.

Follow all safety codes. Wear safety glasses, protective clothing, and work gloves. Use quenching cloth for brazing operations. Have fire extinguisher available. Read these instructions thoroughly and follow all warnings or cautions included in literature and attached to the unit. Consult local building codes and National Electrical Code (NEC) for special requirements.

Recognize safety information. This is the safety-alert symbol ⚠. When you see this symbol on the unit and in instructions or manuals, be alert to the potential for personal injury.

Understand these signal words; DANGER, WARNING, CAUTION, and NOTE. These words are used with the safety-alert symbol. DANGER identifies the most serious hazards which **will** result in severe personal injury or death. WARNING signifies hazards which **could** result in personal injury or death. CAUTION is used to identify unsafe practices which **would** result in minor personal injury or product and property damage. NOTE is used to highlight suggestions which **will** result in enhanced installation, reliability, or operation.

⚠ WARNING

Before installing, modifying, or servicing system, main electrical disconnect switch must be in the OFF position. There may be more than 1 disconnect switch. Lock out and tag switch with a suitable warning label. Electrical shock can cause personal injury or death.

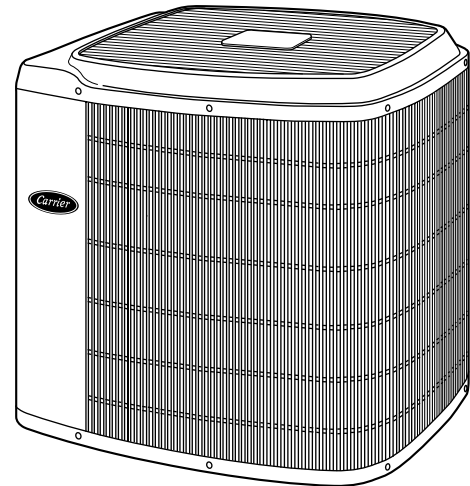
⚠ CAUTION

Puron® (R-410A) systems operate at higher pressures than standard R-22 systems. Be certain that service equipment is rated for Puron®. Some R-22 service equipment may not be acceptable. Check with your distributor.

INSTALLATION RECOMMENDATIONS

NOTE: In some cases noise in the living area has been traced to gas pulsations from improper installation of equipment.

1. Locate unit away from windows, patios, decks, etc. where unit operation sound may disturb customer.
2. Ensure that vapor and liquid tube diameters are appropriate to capacity of unit.



A98516

Fig. 1—Model 38TDB

3. Run refrigerant tubes as directly as possible by avoiding unnecessary turns and bends.
4. When passing refrigerant tubes through the wall, seal opening with RTV or other pliable silicon-based caulk. (See Fig. 2.)
5. Avoid direct tubing contact with water pipes, duct work, floor joists, wall studs, floors, and walls.
6. Do not suspend refrigerant tubing from joists and studs with a rigid wire or strap which comes in direct contact with tubing. (See Fig. 2.)
7. Ensure that tubing insulation is pliable and completely surrounds vapor tube.
8. When necessary, use hanger straps which are 1 in. wide and conform to shape of tubing insulation. (See Fig. 2.)
9. Isolate hanger straps from insulation by using metal sleeves bent to conform to shape of insulation.

Outdoor unit contains system refrigerant charge for operation with indoor unit of the same size when connected by 15 ft of field-supplied or factory accessory tubing. For proper unit operation, check refrigerant charge using charging information located on control box cover.

IMPORTANT: Maximum liquid-line size is 3/8 in. O.D. for all residential applications.

IMPORTANT: Only install the factory-supplied Puron® (R-410A) air conditioner liquid line filter drier. Obtain replacement filter driers from your local distributor.

INSTALLATION

Step 1—Check Equipment and Job Site

UNPACK UNIT

Move to final location. Remove carton, taking care not to damage unit.

Manufacturer reserves the right to discontinue, or change at any time, specifications or designs without notice and without incurring obligations.

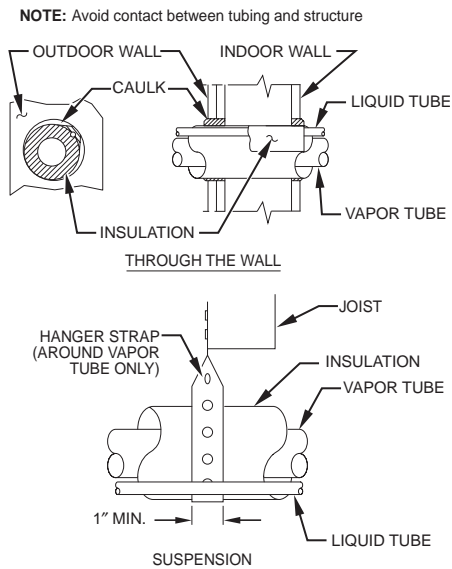


Fig. 2—Connecting Tubing Installation

INSPECT EQUIPMENT

File claim with shipping company prior to installation if shipment is damaged or incomplete.

Step 2—Install on a Solid, Level Mounting Pad

If conditions or local codes require the unit be attached to pad, tie down bolts should be used and fastened through knockouts provided in unit base pan. Refer to unit mounting pattern in Fig. 3 to determine base pan size and knockout hole location.

On rooftop applications, mount on level platform or frame. Place unit above a load bearing wall and isolate unit and tubing set from structure. Arrange supporting members to adequately support unit and minimize transmission of vibration to building. Consult local codes governing rooftop applications.

⚠ CAUTION

Do not allow POE lubricant to come into contact with roofing material. POE may deteriorate certain types of synthetic roofing.

NOTE: Unit must be level to within $\pm 2^\circ$ ($\pm 3/8$ in./ft).

Step 3—Clearance Requirements

When installing, allow sufficient space for airflow clearance, wiring, refrigerant piping, and service. Allow 30-in. clearance to service end of unit and 48 in. above unit. For proper airflow, a 6-in. clearance on 1 side of unit and 12 in. on all remaining sides must be maintained. Maintain a distance of 24 in. between units. Position so water, snow, or ice from roof or eaves cannot fall directly on unit.

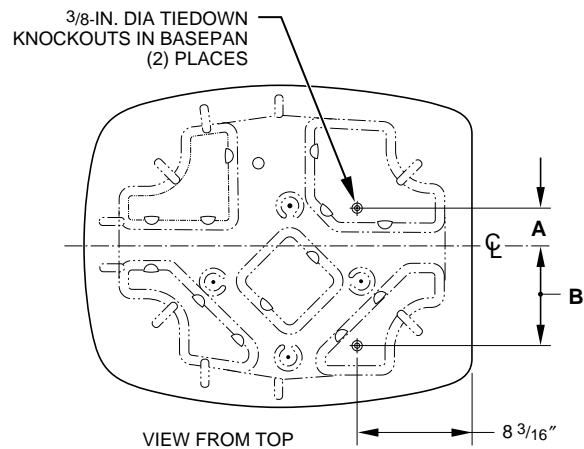
Step 4—Operating Ambient

The minimum outdoor operating ambient in cooling mode is 55°F, and the maximum outdoor operating ambient in cooling mode is 125°F.

→ Step 5—Install TXV

Puron® fan coils and furnace coils come factory equipped with a bi-flow, hard shut off TXV specifically designed for Puron® two-speed units. No TXV changeout is required. **An existing R-22 TXV must be replaced with a factory approved TXV specifically designed for Puron® two-speed units.**

NOTE: FK4, FC4, and 40FK fan coils are equipped with an R-22 TXV. If an FK4, FC4, or 40FK fan coil is used with a Puron® air



A97548

Dimensions (In.)

UNIT SIZE	MINIMUM MOUNTING PAD DIMENSIONS	TIEDOWN KNOCKOUT LOCATIONS	
		A	B
024	19 X 24	2-13/16	6-15/16
036-060	26 X 32	4	9-3/4

Fig. 3—Mounting Unit to Pad

conditioner, the R-22 TXV must be replaced with a factory-approved Puron® TXV.

⚠ CAUTION

→ If indoor unit is equipped with piston, remove indoor coil piston and replace with balance port hard shutoff TXV metering device.

→ **IMPORTANT:** The 38TDB037 unit includes a factory supplied TXV kit. All other sizes do not include factory supplied TXV kit.
TXV INSTALLATION

IMPORTANT: The TXV should be mounted as close to the indoor coil as possible and in a vertical, upright position. Avoid mounting the inlet tube vertically down. A factory supplied or approved filter drier must be installed in the liquid line.

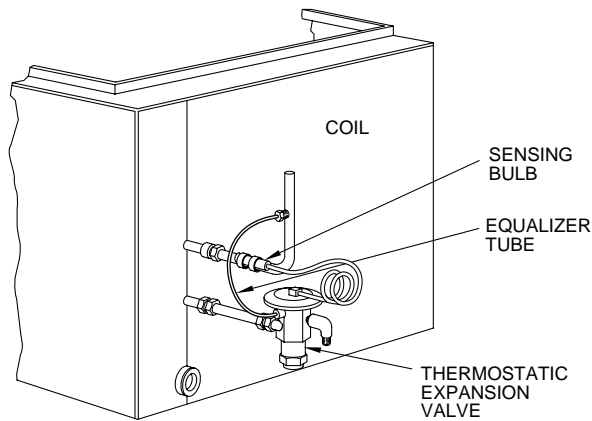
Installing TXV in Place of Piston

-
1. Remove any existing refrigerant and ensure coil has not been exposed to atmospheric pressure for more than 15 minutes.
 2. Remove indoor coil inlet tube at piston body inlet. Use back-up wrench to prevent damage.
 3. Remove piston retainer, begin careful not to damage scaling surface of O-ring.
 4. Remove and discard factory-installed piston. (Replace retainer if O-ring is damaged.)
 5. Reinstall piston retainer in piston body.
 6. Replace indoor coil inlet tube. Use back-up wrench to prevent damage.

⚠ CAUTION

To prevent damage to the unit, use a brazing shield and wrap TXV with wet cloth.

7. Sweat swivel adapter (see Fig. 5D) to inlet of indoor coil and attach to TXV (see Fig. 5A) outlet. Use backup wrench to avoid damage to tubing or valve. Sweat Inlet of TXV, marked "IN" to liquid line. Avoid excessive heat which could damage valve



→ **Fig. 4—TXV Installed**

A91277

8. Install vapor elbow (see Fig. 5B) with equalizer adapter to suction tube of line set and suction connection to indoor coil. Adapter has a 1/4-in. male connector or attaching equalizer tube.
9. Connect equalizer tube of TXV to 1/4-in. equalizer fitting on vapor line adapter.
10. Attach TXV bulb to horizontal section of suction line using bulb straps provided. (See Fig. 5C.) Insulate bulb with factory-supplied insulation tape. (See Fig. 5E.) See Fig. 6 for correct positioning of sensing bulb.
11. Proceed with remainder of unit installation.

→ **FAN COIL**

To obtain efficiency rating for 38TDB037 with FV4ANB006 fancoil TXV must be replaced with factory supplied TXV.

Replacing R-22 TXV or Non-Balance Port Puron TXV

- 1. Remove any existing refrigerant and ensure coil has not been exposed to atmospheric pressure for more than 15 minutes.
2. Remove coil access panel and fitting panel from front of cabinet.
3. Remove and save TXV support clamp using the 5/16-in. nut driver. Save the clamp.

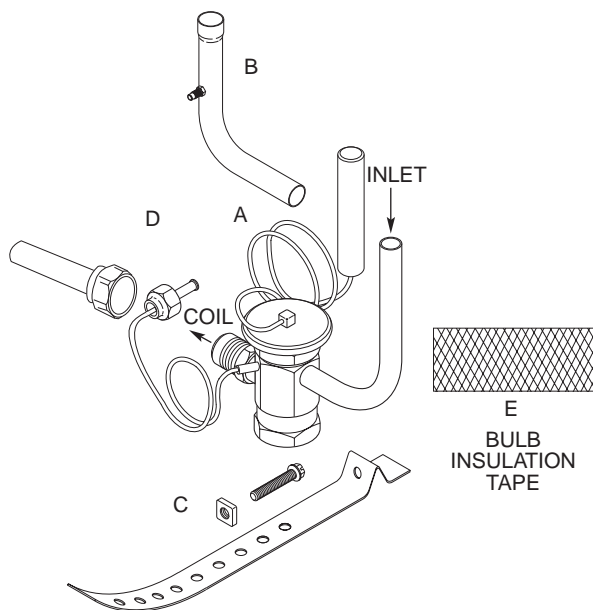
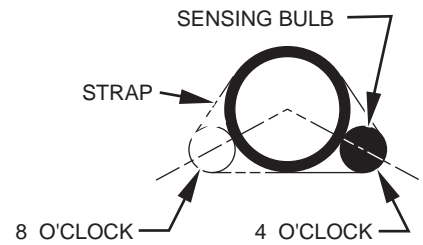


Fig. 5—TXV Kit Contents

A01418



A00399

Fig. 6—Positioning of Sensing Bulb

4. Remove TXV using a backup wrench on flare connections to prevent damage to tubing.
5. Using wire cutters, cut equalizer tube off flush with vapor tube inside cabinet.
6. Remove bulb from vapor tube inside cabinet.
7. Braze equalizer stub-tube closed. Use protective barrier as necessary to prevent damage to drain pan.
- **IMPORTANT:** Route the equalizer tube of the approved Puron® TXV through suction line connection opening in fitting door prior to replacing fitting panel around tubing.
8. Install TXV (Fig. 5A) with 3/8-in. copper tubing through small hole in service panel. Use wrench and backup wrench, to avoid damage to tubing valve.
9. Reinstall TXV support clamp (removed in item 3).
10. Attach TXV bulb to vapor tube inside cabinet, in same location as original was when removed, using supplied bulb straps. (See Fig. 5C.) See Fig. 6 for correct positioning of sensing bulb. Insulate bulb with factory-supplied insulation tape. (See Fig. 5E.)
11. Route equalizer tube through suction connection opening (large hole) in fitting panel and install fitting panel in place.
12. Sweat inlet of TXV, marked "IN" to liquid line. Avoid excessive heat which could damage valve.
13. Install vapor elbow (see Fig. 5B) with equalizer adapter to vapor line of line set and vapor connection to indoor coil. Adapter has a 1/4-in. male connector for attaching equalizer tube. (See Fig. 5B.)
14. Connect equalizer tube of TXV by 1/4-in. equalizer fitting, on vapor line adapter. Use backup wrench to prevent damage to equalizer fitting.
15. Proceed with the remainder of unit installation.

LONG-LINE APPLICATIONS

For refrigerant piping arrangements with equivalent lengths greater than 50 ft or when elevation difference between indoor and/or outdoor unit is more than 20 ft, follow all requirements of the Long-Line Guideline section in the Application Guideline and Service Manual—Air Conditioners and Heat Pumps Using Puron® Refrigerant.

Step 6—Make Piping Connections

⚠ WARNING

Relieve pressure and recover all refrigerant before system repair or final unit disposal to avoid personal injury or death. Use all service ports and open all flow-control devices, including solenoid valves.

⚠ CAUTION

Do not leave system open to atmosphere any longer than minimum required for installation. POE oil in compressor is extremely susceptible to moisture absorption. Always keep ends of tubing sealed during installation.

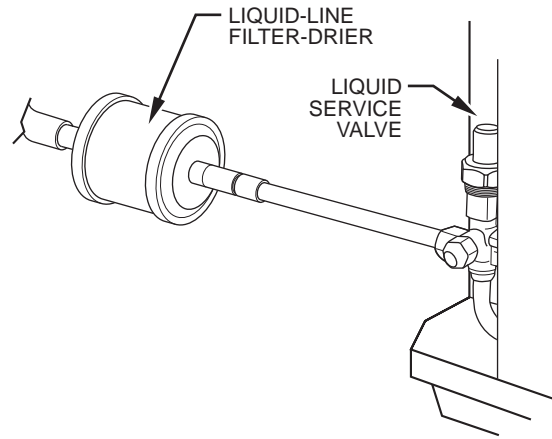
⚠ CAUTION

If ANY refrigerant tubing is buried, provide 6-in. vertical rise at service valve. Refrigerant tubing lengths up to 36 in. may be buried without further special consideration. Do not bury lines for lengths over 36 in.

⚠ CAUTION

To prevent damage to unit or service valves, observe the following:

- Use a brazing shield.
- Wrap service valves with wet cloth or use a heat sink material.



A01215

Fig. 7—Filter Drier with Sweat Adapter Tube and Liquid Tube

1. Braze 5-in. connector tube to liquid line service valve. Wrap filter drier with damp cloth.
2. Braze filter drier between connector tube and liquid tube to indoor coil. Flow arrow must point toward indoor coil.

REFRIGERANT TUBING

Connect vapor tube to fitting on outdoor unit vapor service valves. Connect liquid tube to filter drier. (See Fig. 7 and Table 1.)

SWEAT CONNECTION

Service valves are closed from factory and ready for brazing. After wrapping service valve and filter drier with a wet cloth, braze sweat connections using industry accepted methods and materials. Do not use soft solder (materials which melt below 800°F). Consult local code requirements. Refrigerant tubing and indoor coil are now ready for leak testing. This check should include all field and factory joints.

LEAK CHECKING

Leak test all joints in indoor, outdoor, and refrigerant tubing.

EVACUATE REFRIGERANT TUBING AND INDOOR COIL

⚠ CAUTION

Never use the system compressor as a vacuum pump.

Refrigerant tubes and indoor coil should be evacuated to 500 microns. Always break a vacuum with dry nitrogen.

Deep Vacuum Method

The deep vacuum method requires a vacuum pump capable of pulling a minimum vacuum of 500 microns and a vacuum gage or thermistor capable of accurately measuring this vacuum depth. The deep vacuum method is the most positive way of assuring a system is free of air and liquid water. (See Fig. 8.)

Triple Evacuation Method

The triple evacuation method should only be used when vacuum pump is capable of pumping down to 28 in. of mercury and system does not contain any liquid water. Refer to Fig. 9 and proceed as follows:

1. Pump system down to 28 in. of mercury and allow pump to continue operating for an additional 15 minutes.
2. Close service valves and shut off vacuum pump.
3. Connect a nitrogen cylinder and regulator to system and open until system pressure is 2 psig.
4. Close service valve and allow system to stand for 1 hr. During this time, dry nitrogen will be able to diffuse throughout the system, absorbing moisture.

Outdoor units may be connected to indoor section using accessory tubing package or field-supplied refrigerant grade tubing of correct size and condition. Tubing diameters listed in Table 1 are adequate for equivalent lengths up to 50 ft. For tubing requirements beyond 50 ft, substantial capacity and performance losses will occur. Follow the recommendations in the Application Guideline and Service Manual—Air Conditioners and Heat Pumps Using Puron® Refrigerant to minimize losses.

Refer to Table 1 for field tubing diameters. Refer to Table 2 for accessory requirements.

Do not bury lines over 36 in. long.

If refrigerant tubes or indoor coil are exposed to atmosphere, they must be evacuated to 500 microns to eliminate contamination and moisture in the system.

Table 1—Refrigerant Connections and Recommended Liquid and Vapor Tube Diameters (In.)

UNIT SIZE	LIQUID		VAPOR		VAPOR (LONG-LINE)	
	Connection Diameter	Tube Diameter	Connection Diameter	Tube Diameter	Connection Diameter	Tube Diameter
024	3/8	3/8	5/8	5/8	5/8	3/4
036	3/8	3/8	3/4	3/4	3/4	7/8
037, 048	3/8	3/8	7/8	7/8	7/8	7/8
060	3/8	3/8	7/8	1-1/8	7/8	1-1/8

Notes:
 1. Tube diameters are for lengths up to 50 equivalent ft.
 2. Do not apply capillary tube indoor coils to these units.

OUTDOOR UNIT CONNECTED TO FACTORY-APPROVED INDOOR UNIT

Outdoor unit contains correct system refrigerant charge for operation with indoor unit of same size when connected by 15 ft of field-supplied or factory-accessory tubing. Check refrigerant charge for maximum efficiency

⚠ CAUTION

Installation of filter drier in liquid line is required.

INSTALL LIQUID-LINE FILTER DRIER

Installation of filter drier in liquid line is required. Refer to Fig. 7 and install filter drier as follows:

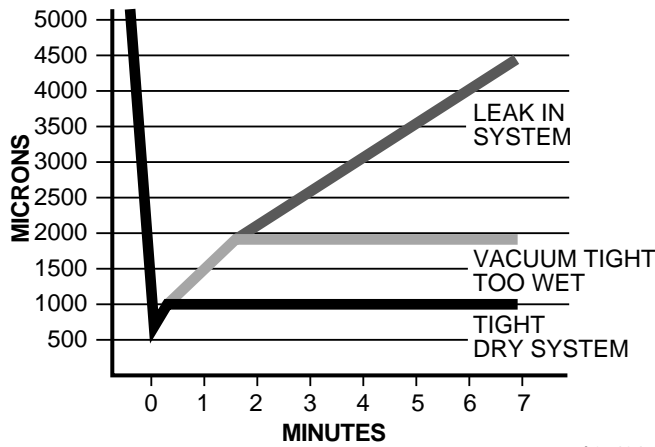


Fig. 8—Deep Vacuum Graph

A95424

- Repeat this procedure as indicated in Fig. 9. System will then contain minimal amounts of contaminants and water vapor.

FINAL TUBING CHECK

IMPORTANT: Check to be certain factory tubing on both indoor and outdoor unit has not shifted during shipment. Ensure tubes are not rubbing against each other or any sheet metal. Pay close attention to feeder tubes, making sure wire ties on feeder tubes are secure and tight.

Step 7—Make Electrical Connections

⚠ WARNING

To avoid personal injury or death, do not supply power to unit with compressor terminal box cover removed.

Be sure field wiring complies with local and national fire, safety, and electrical codes, and voltage to system is within limits shown on unit rating plate. Contact local power company for correction of improper voltage. See unit rating plate for recommended circuit protection device.

NOTE: Operation of unit on improper line voltage constitutes abuse and could affect unit reliability. See unit rating plate. Do not install unit in system where voltage may fluctuate above or below permissible limits.

NOTE: Use copper wire only between disconnect switch and unit.

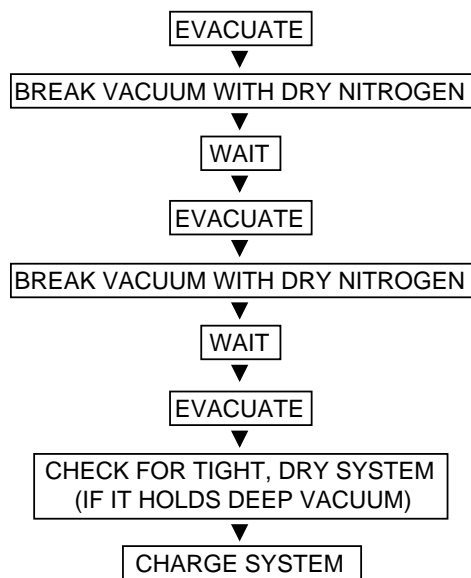
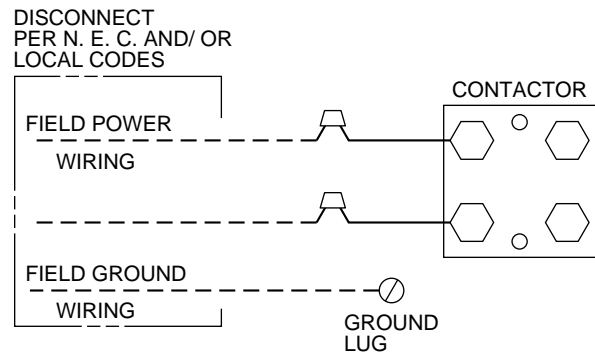


Fig. 9—Triple Evacuation Method

A95425



A91306

Fig. 10—Line Power Connections

NOTE: Install branch circuit disconnect of adequate size per NEC to handle unit starting current. Locate disconnect within sight from and readily accessible from unit, per Section 440-14 of NEC.

ROUTE GROUND AND POWER WIRES

Remove access panel to gain access to unit wiring. Extend wires from disconnect through power wiring hole provided and into unit control box. Size wires per NEC but not smaller than minimum wire size shown in Product Data Digest.

⚠ WARNING

The unit cabinet must have an uninterrupted or unbroken ground to minimize personal injury if an electrical fault should occur. The ground may consist of electrical wire or metal conduit when installed in accordance with existing electrical codes. Failure to follow this warning can result in an electric shock, fire, or death.

CONNECT GROUND AND POWER WIRES

Connect ground wire to ground connection in control box for safety. Connect power wiring to leads provided as shown in Fig. 10.

CONNECT CONTROL WIRING

Route 24v control wires through control wiring grommet and connect to leads provided in control box. (See Fig. 11.)

Use No. 18 AWG color-coded, insulated (35°C minimum) wire. If thermostat is located more than 100 ft from unit, as measured along the control voltage wires, use No. 16 AWG color-coded wire to avoid excessive voltage drop.

All wiring must be NEC Class 1 and must be separated from incoming power leads.

The outdoor unit requires a minimum of 27va, 24vac control power.

IMPORTANT: Check factory wiring and wire connections to ensure terminations are secured properly. Check wire routing to ensure wires are not in contact with tubing, sheet metal, etc.

Step 8—Install Electrical Accessories

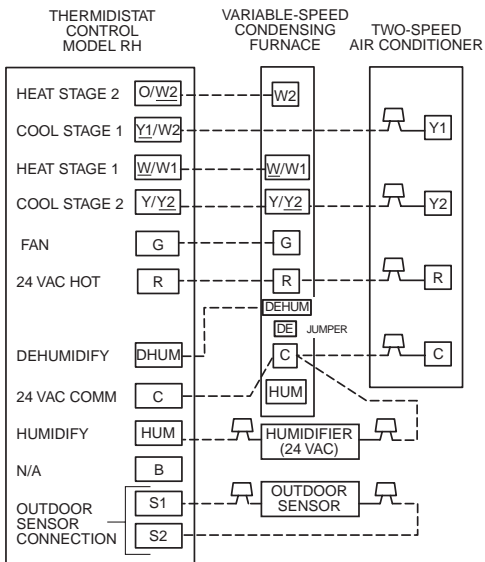
GENERAL

Refer to the individual instructions packaged with kits or accessories when installing.

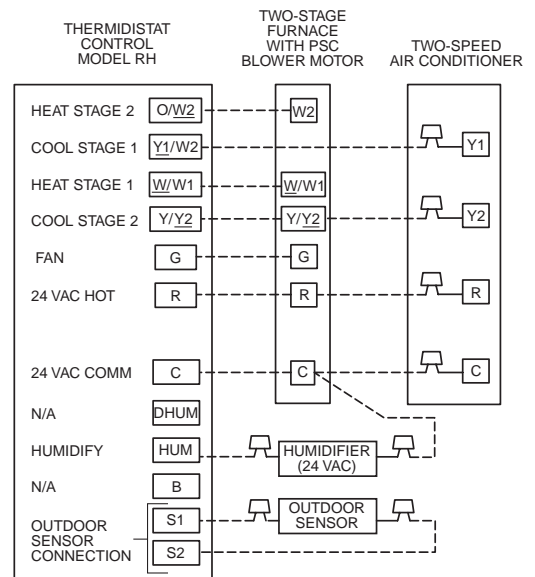
Available electrical accessories include latent capacity control. See Fig. 11 for typical accessory wiring diagrams.

LATENT CAPACITY CONTROL (LCC)

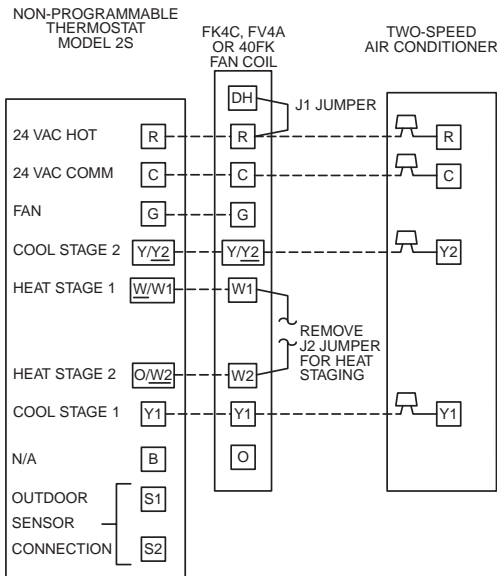
The purpose of an LCC is to provide a dehumidification mode to assure a 75 percent or less system sensible heat ratio. If indoor unit installed contains an ECM blower (such as an FK4C, FV4A, or 40FK fan coil or a 58CVA or 58MVP gas furnace), no LCC is



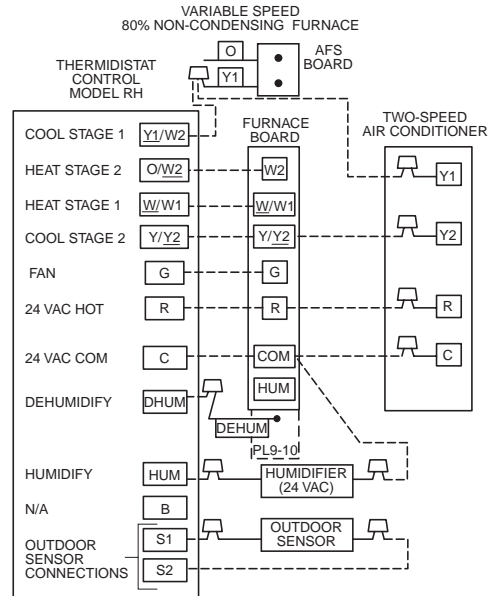
See notes 1, 2, 3, 6, 8, 10, and 12
A01495



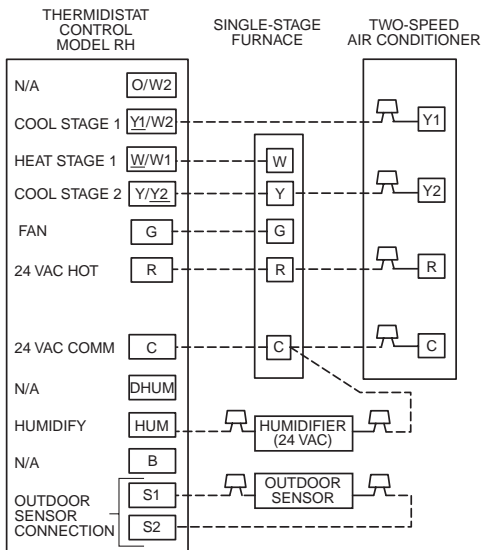
See notes 1, 2, 3, 6, 8, and 10
A01498



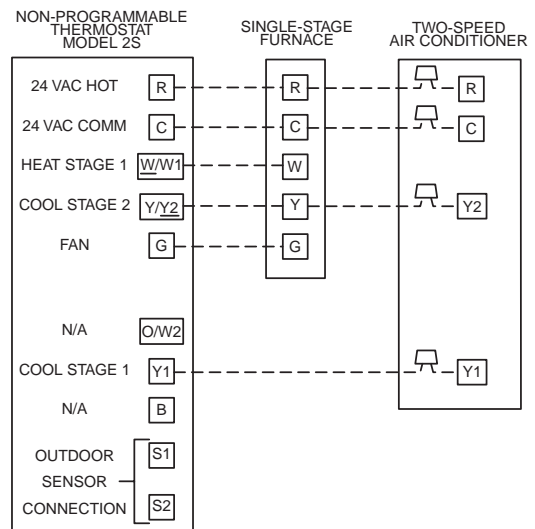
See notes 1, 2, 3, 4, and 7
A01496



See notes 1, 2, 3, 6, 8, 10, and 11
A01499

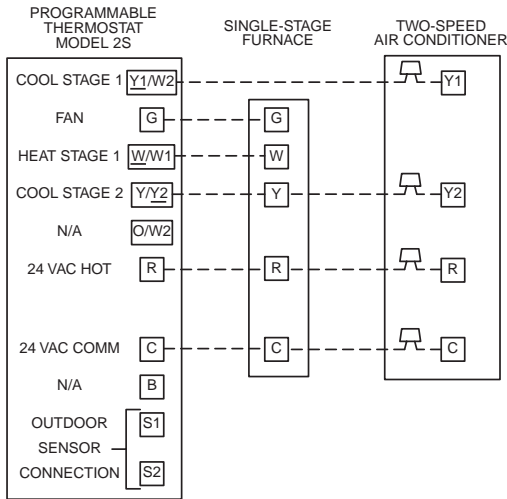


See notes 1, 2, 3, 6, and 8
A01497

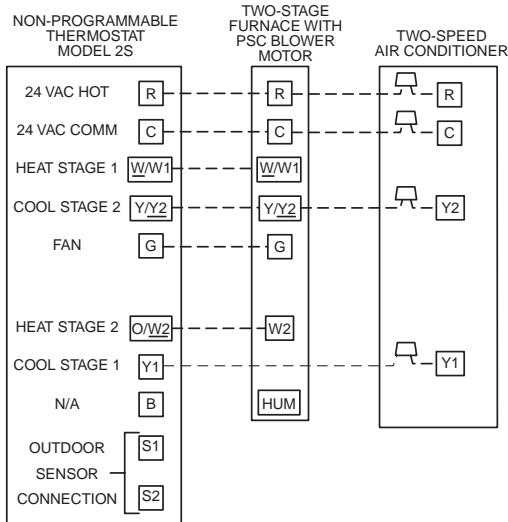


See notes 1, 2, 3, and 5
A01500

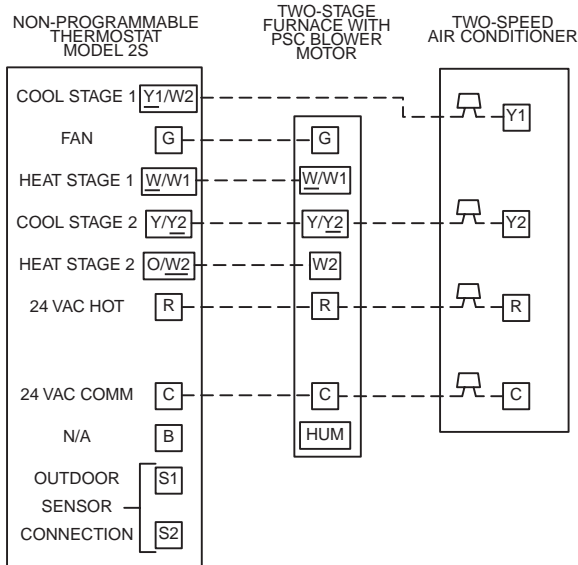
Fig. 11—Typical 24V Wiring Diagram



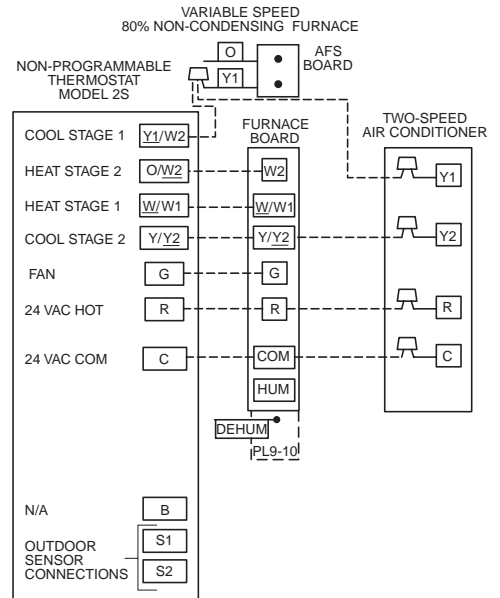
See notes 1, 2, 3, and 5
A01501



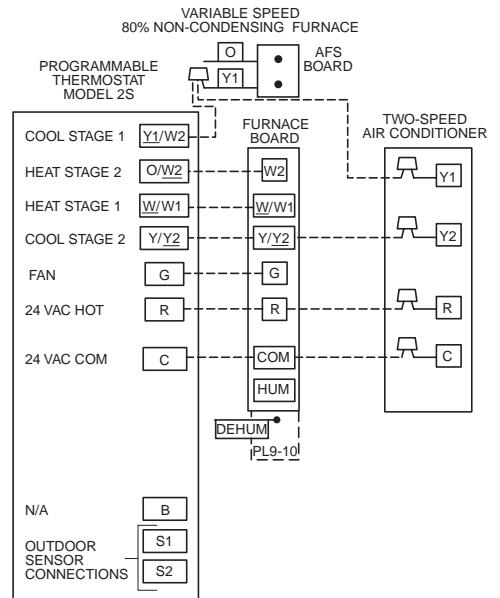
See notes 1, 2, 3, 4, and 10
A01502



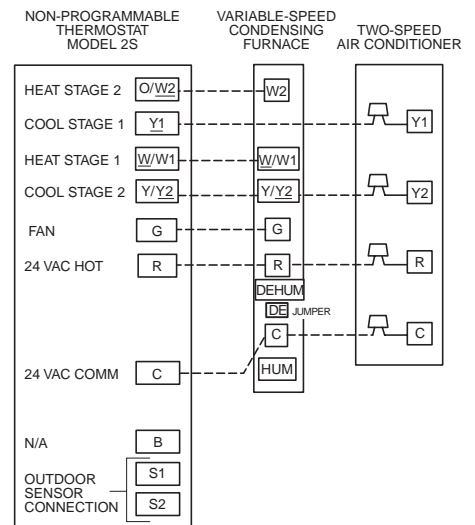
See notes 1, 2, 3, 5, and 10
A01503



See note 1, 2, 3, 4, and 10
A01504

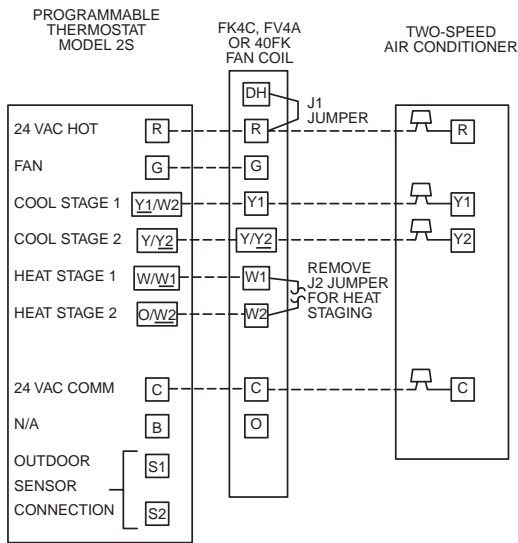


See notes 1, 2, 3, 5, and 10
A01505

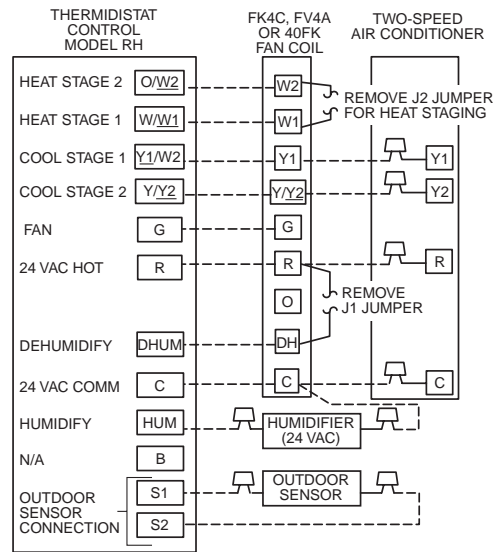


See notes 1, 2, 3, and 4
A01506

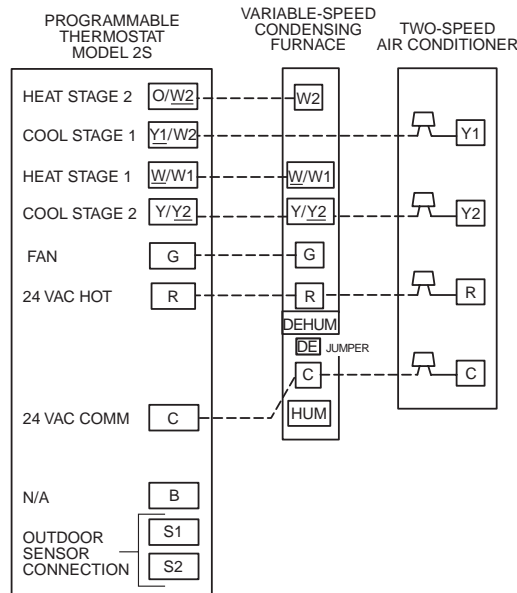
Fig. 11—Typical 24V Wiring Diagram (Cont)



See notes 1, 2, 3, 5, and 7
A01493



See notes 1, 2, 3, 6, 7, 8, and 9
A01494



See notes 1, 2, 3, and 5
A01507

Fig. 11—Typical 24V Wiring Diagram (Cont)

required. The LCC for standard PSC blower products consists of a standard humidistat which opens contacts on humidity rise and a pilot duty relay with 24v coil.

NOTE: If an LCC is desired, low-speed airflow must be maintained so that a minimum of 300 CFM/ton can be supplied during high speed LCC operation.

Step 9—Make Airflow Selections

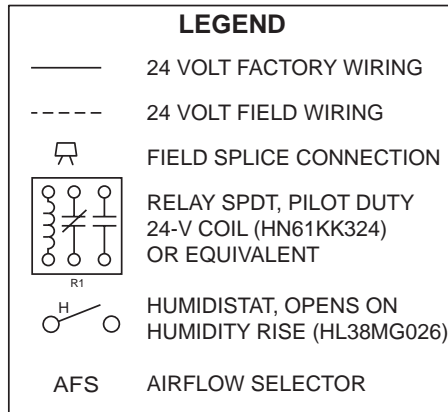
AIRFLOW SELECTION FOR 58CVA/58MVP FURNACES

The 58CVA/58MVP Non-Condensing Variable Speed Furnaces provide high- and low-speed blower operation to match the capacities of the compressor at high and low speeds. To select the recommended airflow and for adjustments to the manual switches labeled SW1, A/C and CF on the control board refer to the furnace Installation, Start-Up, and Operating Instructions. The 315AAV utilizes a control center that allows the installing technician to select the proper airflows. The A/C switch determines the airflow during high speed compressor operation. Airflow for high and low speed can be calculated at either 350 CFM per ton or 400 CFM per ton based on the positions of SW1-5.

AIRFLOW SELECTION FOR FK4C, FV4A, OR 40FK FAN COILS

The FK4C and FV4A provide high- and low-speed blower operation to match the capacities of compressor at high and low speeds. To select recommended airflow, refer to the FK4C, FV4A, or 40FK Installation Instructions. The FK4C, FV4A, and 40FK utilize an EASY SELECT control board that allows the installing technician to select proper airflows. For adjustments to control board and recommended A/C SIZE and CFM ADJUST selections. This fan coil has an adjustable blower off delay factory set at 90 sec for high- and low-speed blower operation.

For other combinations of equipment consult the Product Data Digest.



A01222

WIRING DIAGRAM NOTES:

1. WIRING MUST CONFORM TO NEC OR LOCAL CODES.
2. UNDERLINED LETTER ON THERMOSTAT TERMINAL INDICATES USAGE. FOR EXAMPLE: O/W2 MEANS O IS ENERGIZED IN COOLING MODE.
3. REFER TO INDOOR UNIT INSTALLATION INSTRUCTIONS FOR ANY ADDITIONAL FEATURES AND WIRING INFORMATION.
4. NON-PROGRAMMABLE MODEL 2S01-B, WHEN USED IN AIR CONDITIONING INSTALLATION THE R19 JUMPER **MUST** BE CUT AND REMOVED.
5. PROGRAMMABLE MODEL 2S01-B **MUST** HAVE DIP SWITCH C ON WHEN USED IN AIR CONDITIONER APPLICATIONS.
6. THERMIDISTAT DIP SWITCH NO. 1 SHOULD BE SET IN **OFF** POSITION FOR AIR CONDITIONER APPLICATIONS (FACTORY DEFAULT).
7. AS AN OPTION O/W2CAN CONTROL SECOND-STAGE HEAT.
8. THERMIDISTAT DIP SWITCH NO. 2 SHOULD BE SET IN THE ON POSITION FOR DUAL CAPACITY COMPRESSOR OPERATION.
9. TO ACTIVATE DEHUMIDIFY FUNCTION ON FK4 OR FV4, REMOVE J1 JUMPER AT FAN COIL CONTROL BOARD.
10. AS AN OPTION, LOCK FURNACE INTO LOW-FIRE OPERATION AND LET O/W2 CONTROL HIGH FIRE OPERATION. REFER TO FURNACE INSTALLATION INSTRUCTIONS FOR PROPER SETUP.
11. TO ACTIVATE DEHUMIDIFY FEATURE ON CURRENT STYLE, VARIABLE-SPEED, 80 PERCENT NON-CONDENSING, FURNACE DISCONNECT GREEN (DEHUM) WIRE FROM G ON FURNACE CONTROL BOARD AND CONNECT TO DEHUMIDIFY TERMINAL DHUM ON THERMIDISTAT.
12. THE DE JUMPERS **MUST** BE REMOVED TO ENABLE THE DEHUMIDIFICATION FEATURE ON FURNACE.

Table 2—Accessory Usage

ACCESSORY	REQUIRED FOR LONG-LINE APPLICATIONS* (50-175 FT.)	REQUIRED FOR SEACOAST APPLICATIONS (WITHIN 2 MILES)
Coastal Filter	No	Yes
Support Feet	No	Recommended
Puron® Balance-Port Hard Shut-off TXV	Yes†	Yes†

* For tubing line sets between 50 and 175 ft horizontal or 20 ft vertical differential, refer to Application Guideline and Service Manual—Air Conditioners and Heat Pumps Using Puron® Refrigerant. Crankcase heater and start assist are standard on two-speed units.

† Required for all applications.

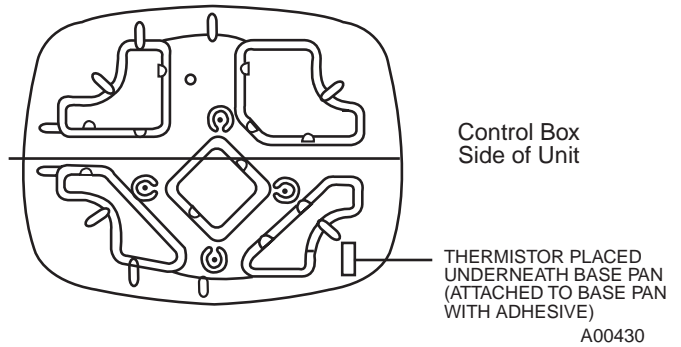


Fig. 14—View from Top of Base Pan

CAUTION

To prevent personal injury wear safety glasses, protective clothing, and gloves when handling refrigerant and observe the following:

- Back seating service valves are not equipped with Schrader valves. Fully back seat (counterclockwise) valve stem before removing gage port cap.

CAUTION

Do not vent refrigerant to atmosphere. Recover during system repair or final unit disposal.

Follow these steps to properly start up the system:

1. The outdoor unit is equipped with a crankcase heater which operates when the compressor is off. Energize crankcase heater 24 hr before starting unit. To energize heater only, set indoor thermostat to OFF position and close power disconnect to unit.
2. Fully back seat (open) liquid and vapor tube service valves.
3. Unit is shipped with valve stem(s) front seated and caps installed. Replace stem caps after system is opened to refrigerant flow (back seated). Replace caps finger tight and tighten additional 1/12 turn (20 ft-lb torque) with wrench.
4. Close electrical disconnects to energize system.
5. Set room thermostat at desired temperature. Be sure set point is below indoor ambient and is set low enough to energize desired speed.

NOTE: Carrier electronic thermostats are equipped with a 15-minute staging timer. This timer prevents the two-speed system from operating at high speed until unit has been operating in low speed for 15 minutes unless there is at least a 5°F difference between room temperature and thermostat set point. To force high speed (after a minimum of 2 minutes in low speed), adjust the set point at least 5° below room ambient.

6. Set room thermostat to COOL and fan control to AUTO or ON as desired. Wait for appropriate time delay(s). Operate unit for 15 minutes. Check refrigerant charge.

NOTE: If unit has not operated within the past 12 hr or following a unit power-up, upon the next thermostat high- or low-speed demand, unit operates for a minimum of 5 minutes in high speed.

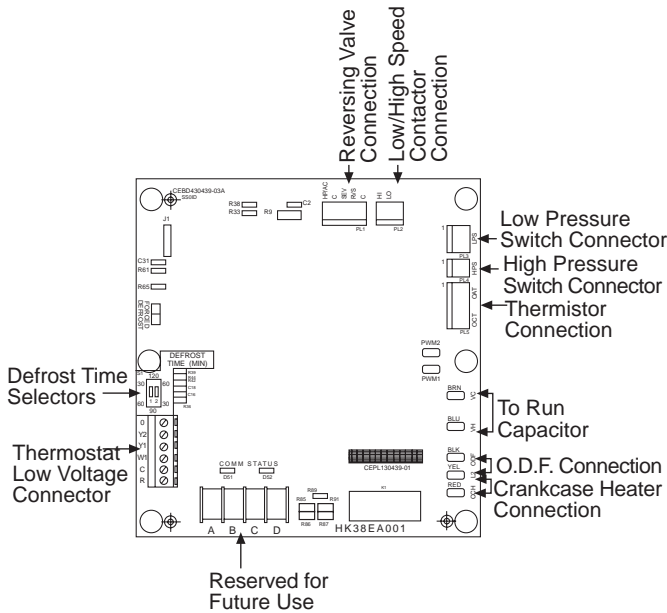


Fig. 12—Control Board

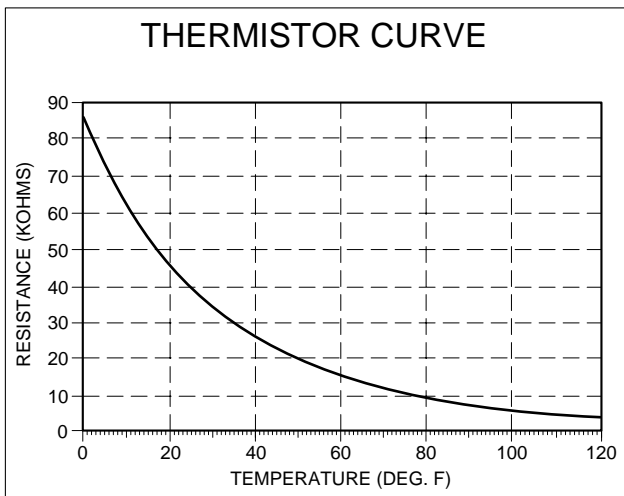


Fig. 13—Resistance Values Versus Temperature
Step 10—Start-Up

CAUTION

To prevent compressor damage or personal injury, observe the following:

- Do not overcharge system with refrigerant.
- Do not operate unit in a vacuum or at negative pressure.
- Do not disable low-pressure switch.

Step 11—Check Charge

⚠ WARNING

Service valve gage ports are not equipped with Schrader valves. To prevent personal injury, make sure gage manifold is connected to the valve gage ports before moving valves off fully back seated position. Wear safety glasses and gloves when handling refrigerant.

UNIT CHARGE

Factory charge and charging method are shown on pink charging label. With unit operating, charge Puron® units with liquid using a commercial type metering device in manifold hose. Charge refrigerant into suction line.

NOTE: Unit is to be charged in high capacity only. Charging in low capacity may cause compressor chattering and possible damage to the compressor.

NOTE: If subcooling charging conditions are not favorable, charge must be weighed in accordance with unit rating plate ± 0.6 oz/ft of 3/8-in. liquid line above or below 15 ft respectively.

EXAMPLE: To calculate additional charge required for a 25-ft line set: $25 \text{ ft} - 15 \text{ ft} = 10 \text{ ft} \times 0.6 \text{ oz/ft} = 6 \text{ oz}$ of additional charge.

COOLING ONLY PROCEDURE

1. Operate unit a minimum of 15 minutes before checking charge.
2. Measure liquid service valve pressure by attaching an accurate gage to service port.
3. Measure liquid line temperature by attaching an accurate thermistor type or electronic thermometer to liquid line near outdoor coil.
4. Refer to Table 4 for required subcooling temperature.
5. Refer to Table 3. Find the point where required subcooling temperature intersects measured liquid service valve pressure.
6. To obtain required subcooling temperature at a specific liquid line pressure, add refrigerant if liquid line temperature is higher than indicated or reclaim refrigerant if temperature is lower. Allow a tolerance of $\pm 3^\circ\text{F}$.

UNIT CHARGE

Factory charge and charging method are shown on pink charging label. **Puron® refrigerant cylinders contain a dip tube which allows liquid refrigerant to flow from cylinder in upright position.** Charge Puron units with cylinder in upright position and a commercial type metering device in manifold hose. Charge refrigerant into suction line.

NOTE: Unit is to be charged in high capacity only. Charging in low capacity may cause compressor chattering and possible damage to the compressor.

NOTE: If subcooling charging conditions are not favorable, charge must be weighed in accordance with unit rating plate ± 0.6 oz/ft of 3/8-in. liquid line above or below 15 ft respectively.

EXAMPLE: To calculate additional charge required for a 25 ft line set: $25 \text{ ft} - 15 \text{ ft} = 10 \text{ ft} \times 0.6 \text{ oz/ft} = 6 \text{ oz}$ of additional charge.

Step 12—System Functions and Sequence of Operation

The outdoor unit control system has special functions. The following is an overview of the two-speed control functions:

COOLING OPERATION

This product utilizes a 2-stage cooling indoor thermostat. With a call for first stage cooling (Y1), the outdoor fan and low capacity compressor are energized. If low capacity cannot satisfy cooling demand, high capacity is energized (Y1 and Y2 or Y2 only) by the second stage of indoor thermostat. After second stage is satisfied,

Table 3—Required Liquid-Line Temperature (°F)

LIQUID PRESSURE AT SERVICE VALVE (PSIG)	REQUIRED SUBCOOLING TEMPERATURE (°F)					
	8	12	14	16	18	18
189	58	56	54	52	50	48
195	60	58	56	54	52	50
202	62	60	58	56	54	52
208	64	62	60	58	56	54
215	66	64	62	60	58	56
222	68	66	64	62	60	58
229	70	68	66	64	62	60
236	72	70	68	66	64	62
243	74	72	70	68	66	64
251	76	74	72	70	68	66
259	78	76	74	72	70	68
266	80	78	76	74	72	70
274	82	80	78	76	74	72
283	84	82	80	78	76	74
291	86	84	82	80	78	76
299	88	86	84	82	80	78
308	90	88	86	84	82	80
317	92	90	88	86	84	82
326	94	92	90	88	86	84
335	96	94	92	90	88	86
345	98	96	94	92	90	88
354	100	98	96	94	92	90
364	102	100	98	96	94	92
374	104	102	100	98	96	94
384	106	104	102	100	98	96
395	108	106	104	102	100	98
406	110	108	106	104	102	100
416	112	110	108	106	104	102
427	114	112	110	108	106	104
439	116	114	112	110	108	106
450	118	116	114	112	110	108
462	120	118	116	114	112	110
474	122	120	118	116	114	112
486	124	122	120	118	116	114
499	126	124	122	120	118	116
511	128	126	124	122	120	118

the unit returns to low-speed operation until first stage is satisfied or until second stage is required again. When both first stage and second stage cooling are satisfied, the compressor will shut off.

NOTE: If unit has not operated within the past 12 hr, or following a unit power-up, upon the next thermostat high- or low-speed demand, unit operates for a minimum of 5 minutes on high-speed.

NOTE: When two-speed unit is operating at low speed, system vapor (suction) pressure will be higher than a standard single-speed system or high-speed operation.

NOTE: Outdoor fan motor will continue to operate for one minute after compressor shuts off, when outdoor ambient is greater than or equal to 100°F.

STATUS FUNCTION LIGHTS

A system control STATUS function light is located on the outdoor unit control board. (See Fig. 12.) The STATUS light provides indication signals for several system operations. See Table 5 for codes and definitions. Table 5 also provides the order of signal importance.

NOTE: Only one code will be displayed on the outdoor unit control board (the most recent, with the highest priority).

Table 4—High Capacity Only Subcooling

UNIT	TXV TYPE EXPANSION DEVICE HIGH CAPACITY ONLY SUBCOOLING AT SERVICE VALVE
024	14°F
036	15°F
037	11°F
048	12°F
060	16°F

Table 5—Control Function LED Code

CODE	DEFINITION	SIGNAL IMPORTANCE*
Constant flash No pause	No demand Stand by	10
1 flash w/pause	Low-speed operation	9
2 flashes w/pause	High-speed operation	8
3 flashes w/pause	Outdoor thermistor failure	7
4 flashes w/pause	Outdoor coil thermistor failure	6
3 flashes pause 4 flashes	Thermistor out of range	5
5 flashes pause 1 flash	Low pressure switch trip	4
5 flashes pause 2 flashes	High pressure switch trip	3
6 flashes w/pause	Compressor V_c/V_h trip	2
Constant light No pause No flash	Board failure	1

*Function light signal order of importance in case of multiple signal request; 1 is most important.

FACTORY DEFAULTS

Factory defaults have been provided in the event of failure of outdoor air thermistor, coil thermistor, and/or furnace interface jumper.

ONE MINUTE SPEED CHANGE TIME DELAY

When compressor changes speeds from high to low or low to high, there is a 1-minute time delay before compressor restarts. The outdoor fan motor remains running.

COMPRESSOR OPERATION

When the compressor operates in second stage operation, the motor rotates clockwise. Both the lower and upper pistons are eccentric with the rotating crankshaft and both compress refrigerant. When the compressor operates in single stage operation the motor reverses direction (rotates counterclockwise). The lower piston becomes idle and the upper piston compresses refrigerant. **The start and run windings are reversed.**

CRANKCASE HEATER OPERATION

The two-speed control board energizes the crankcase heater during unit off cycle.

OUTDOOR FAN MOTOR OPERATION

The outdoor unit control energizes outdoor fan any time compressor is operating. The outdoor fan remains energized during the 1-minute compressor speed change time delay and if a pressure

switch or compressor overload should open. Outdoor fan motor will continue to operate for one minute after the compressor shuts off when the outdoor ambient is greater than or equal to 100°F.

COMPRESSOR VOLTAGE FAILURE (6 FLASHES)

The control senses the voltage of the compressor run winding. If compressor voltage (V_c) is less than 90v when control board is calling for compressor operation, control shuts compressor off for 15 minutes with outdoor fan running. After 15 minutes (provided there is a call for Y1 or Y2), control attempts to start compressor. During this time, a code of 6 flashes appears at control board. If V_c trip occurs 3 consecutive times during a Y1 request, then low capacity operation is locked out and control responds to Y2 requests until a reset occurs. If 3 consecutive trips occur in a combination of Y1 and Y2 or all Y2 requests, then both low and high capacity operation will be locked out. The compressor voltage failure (6 flashes) can be caused by:

- compressor internal overload trip (refer to Table 6 for correct winding resistance)
- no 240 volt power supply to outdoor unit
- failed compressor contactor(s)
- failure of start relay to pick-up properly
- improper wiring

PRESSURE SWITCH PROTECTION

The outdoor unit is equipped with high- and low-pressure switches. If the control senses the opening of a high or low pressure switch, it will respond as follows:

1. De-energize the compressor low or high speed contactor,
2. Keep the outdoor fan operating for 15 minutes,
3. Display the appropriate error code on the status light. (See Table 5)
4. After a 15 minute delay, if Y1 or Y2 inputs are on and the LPS or HPS is reset, energize appropriate compressor contactor, either low or high.
5. If LPS or HPS has not closed after a 15 minute delay, the outdoor fan is turned off. If the open switch closes anytime after the 15-minute delay, then resume operation on call for Y1 and/or Y2.

MAJOR COMPONENTS

2-Speed Control

The two-speed control board controls the following functions:

- Low- and high-compressor contactor operation
- Outdoor fan motor operation
- Crankcase heater operation
- Compressor protection
- Pressure switch monitoring
- Time delays

Field Connections

The two-speed control received 24vac low-voltage control system inputs through the screw connections on the left side of the control board.

Dual Capacity Compressor

The dual capacity compressor contains motor windings that provide 2-pole (3500 RPM) operation. Refer to Table 6 for correct winding resistance.

Compressor Internal Relief

The compressor is protected by an internal pressure relief (IPR) which relieves discharge gas into compressor shell when differential between suction and discharge pressures exceeds 525 psi. The compressor is also protected by an internal overload attached to motor windings.

**Table 6—Two-Speed Compressor
(Winding Resistance at 70°F ± 20°)**

WINDING	024	036-037	048	060
Start (S-C)	2.280	1.850	1.459	0.740
Run (R-C)	0.770	0.745	0.552	0.356

Compressor Control Contactors

Low and high capacity contactor coils are 24 volts. The electronic control board controls the operation of the low speed (C-L) and the high speed (C-H) contactors.

TEMPERATURE THERMISTORS

Thermistors are electronic devices which sense temperature. As the temperature increases, the resistance decreases. Thermistors are used to sense outdoor ambient and coil temperature. Refer to Fig. 13 for resistance values versus temperature.

If the outdoor ambient or coil thermistor should fail, a fault code appears at two-speed control.

IMPORTANT: Outdoor Air Thermistor Placement

Mount outdoor air thermistor underneath unit base pan lip on control box side of the unit as shown in Fig. 14. Attach to base pan

with adhesive tape. A small piece of TXV bulb insulation tape may be used.

IMPORTANT: If outdoor air thermistor is not properly placed underneath base pan, unit may see nuisance thermistor out of frame faults.

Step 13—Final Checks

IMPORTANT: Before leaving job, be sure to do the following:

1. Ensure that all wiring and tubing is secure in unit before adding panels and covers. Securely fasten all panels and covers.
2. Tighten service valve stem caps to 1/12-turn past finger tight.
3. Leave Owner's Manual with owner. Explain system operation and periodic maintenance requirements outlined in manual.
4. Fill out Dealer Installation Checklist and place in customer file.

CARE AND MAINTENANCE

For continuing high performance and to minimize possible equipment failure, periodic maintenance must be performed on this equipment. Frequency of maintenance may vary depending upon geographic areas, such as coastal applications.

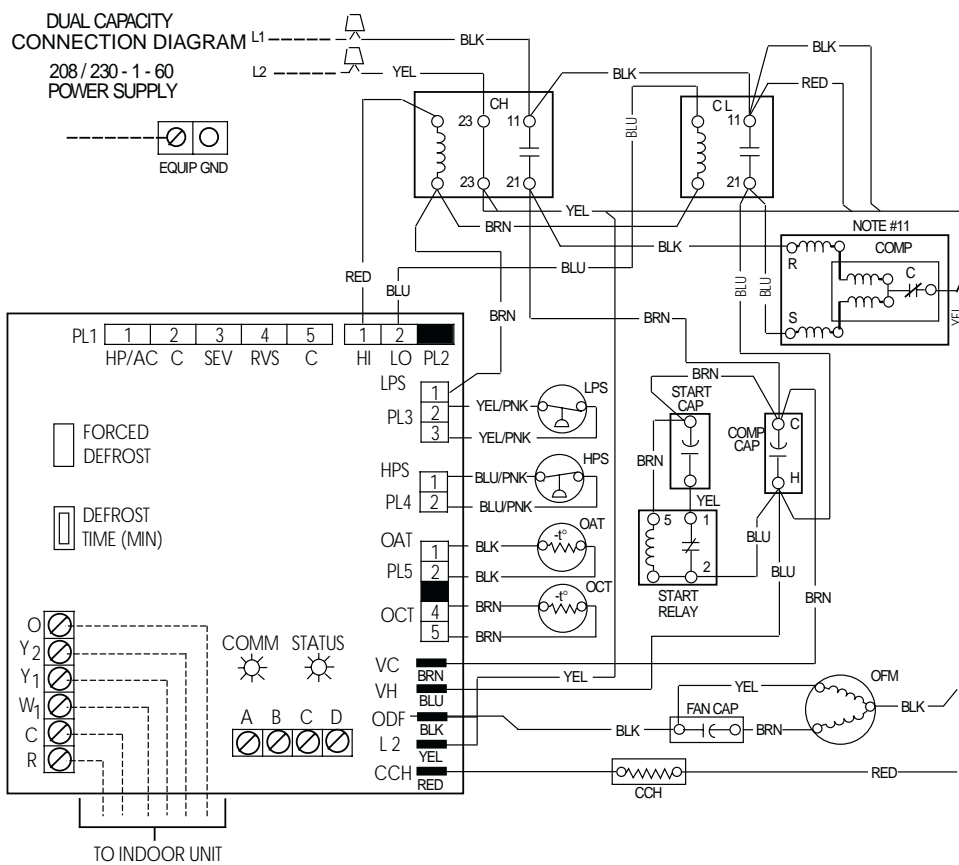
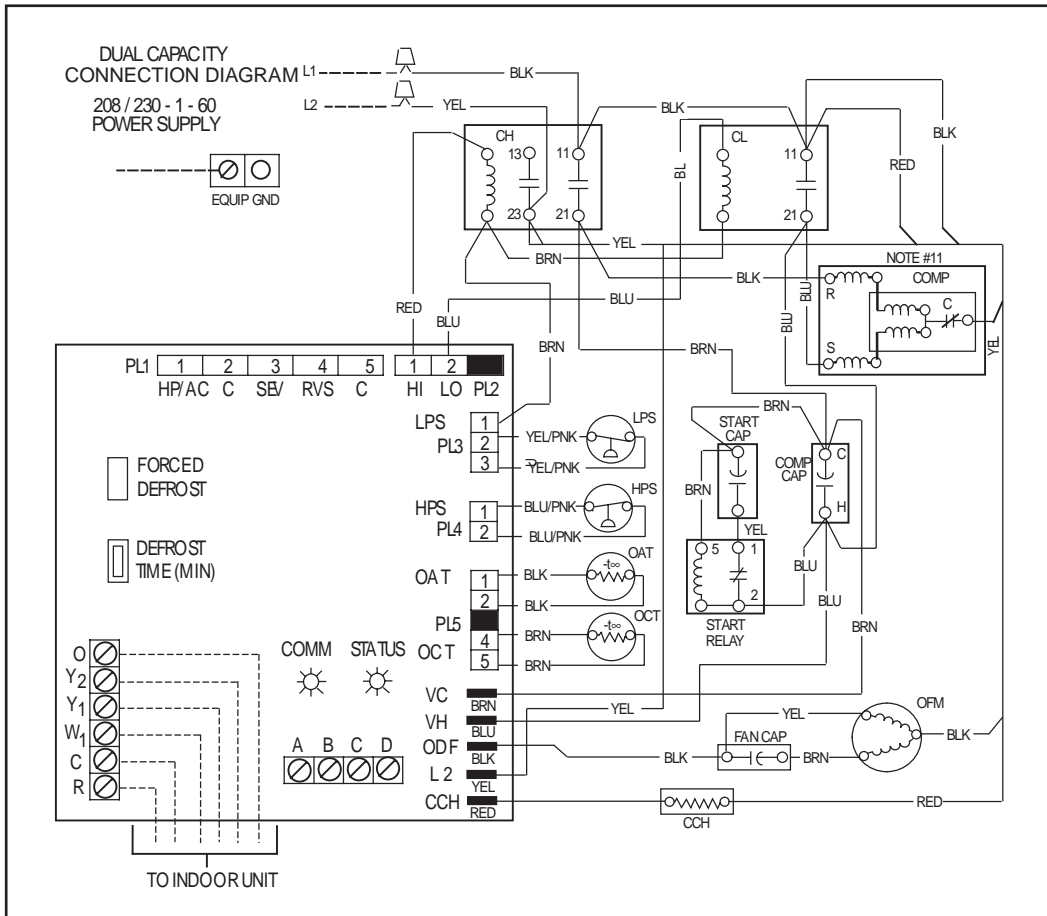


Fig. 15—Wiring Diagram—024, 036, 048

A01513



→ Fig. 17—Wiring Diagram—060

A02212

Free Manuals Download Website

<http://myh66.com>

<http://usermanuals.us>

<http://www.somanuals.com>

<http://www.4manuals.cc>

<http://www.manual-lib.com>

<http://www.404manual.com>

<http://www.luxmanual.com>

<http://aubethermostatmanual.com>

Golf course search by state

<http://golfingnear.com>

Email search by domain

<http://emailbydomain.com>

Auto manuals search

<http://auto.somanuals.com>

TV manuals search

<http://tv.somanuals.com>