

|C|D|A|



CPX19

Curved Glass Island Extractor

Manual for Installation, Use and Maintenance

The CDA Group Ltd
Harby Road
Langar
Nottinghamshire
NG13 9HY

Telephone: 01949 862012

Customer Care
Fax: 01949 862003
Website: www.cda.eu

Email: service@cda.eu

MAINS ELECTRICITY CONNECTION:

THIS APPLIANCE MUST BE CONNECTED TO THE MAINS SUPPLY BY A COMPETENT PERSON, USING FIXED WIRING VIA A DOUBLE POLE SWITCHED FUSED SPUR OUTLET AND PROTECTED BY A 3A FUSE.

We recommend that the appliance is connected by a qualified electrician, who is a member of the N.I.C.E.I.C. and who will comply with the I.E.E. and local regulations.

The wires in the mains lead of this appliance are coloured in accordance with the following code:

Blue = Neutral, Brown = Live.

As the colours of the wires in the mains lead for the appliance, may not correspond with the coloured markings identifying the terminals connecting to the fused spur, proceed as follows:

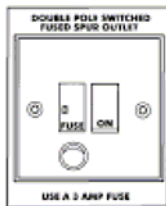


Fig. 6

1. The wire which is coloured blue must be connected to the terminal marked N (Neutral), or coloured Black.
2. The wire which is coloured brown must be connected to the terminal marked L (Live), or coloured Red.

Note: Use a 3A Fuse

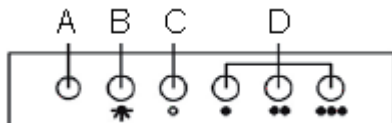
Assembly and electrical connection should be carried out by specialised personnel. When installing this product we recommend you seek the help of another individual

The manufacturer declares that this product meets all the essential requirements for low voltage electrical material set out in European directive 2006/95/EEC of 12 December 2006 and for electromagnetic compatibility as required by European directive 2004/108/EEC of 15 December 2004.

Use

For optimal performance, the extractor should be switched on prior to cooking and left running for approximately 15 minutes after the end of cooking.

Five button control panel



This panel is situated on the front of the extractor and includes:

- On indicator for the light (A)
- On/off button for the light (B)
- Off button for the motor (C)
- Speed 1, 2 and 3 switches for the motor (D)

Maintenance

IMPORTANT: Before any type of maintenance, make sure that the power to the extractor is switched off.

Cleaning

Clean the exterior of the extractor with a mild liquid detergent and avoid the use of abrasive cleaning products.

Cleaning the grease filter

Depending on use, and at least once a month the grease filter should be disassembled and cleaned with hot soapy water. The filter can also be washed in a dishwasher, and should be placed in an upright position to prevent damage from other items in the dishwasher. After rinsing and drying, replace the filter.

Please note: Cleaning the filter in the dishwasher may lead to discolouration. This is purely cosmetic and does not affect in any way the lifespan of the filter.

Changing the light

Remove the grease filter and replace the light with a light bulb no more powerful than that specified on the feature plate.

If the halogen lamps need replacing, they must be replaced by lamps with an aluminium reflector. Do not use dichroic lamps to prevent unnecessary overheating in the lamp holders.

The light is designed for use during cooking and not for general room illumination.

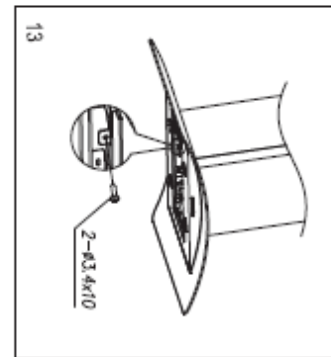
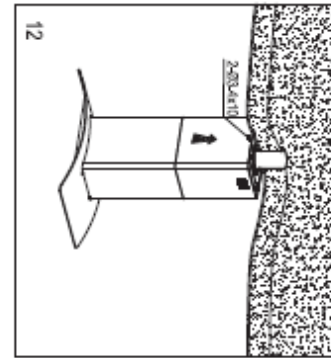
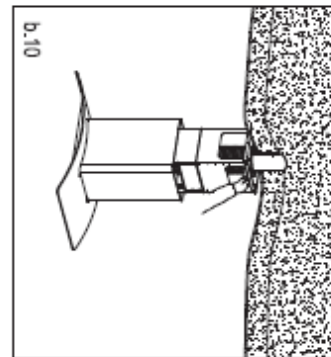
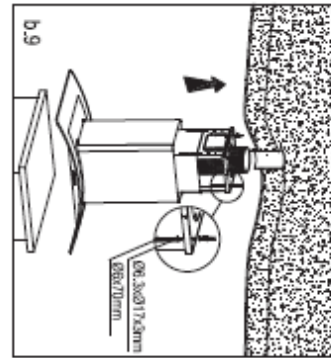
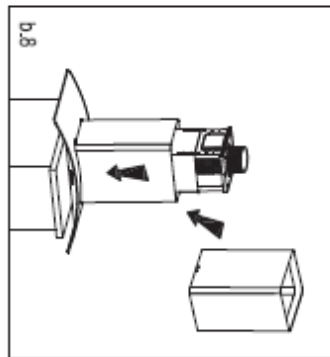
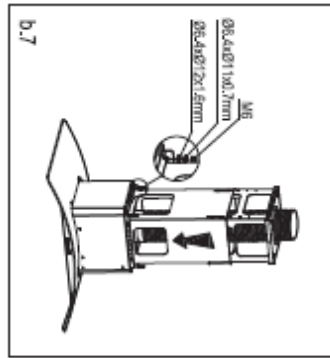
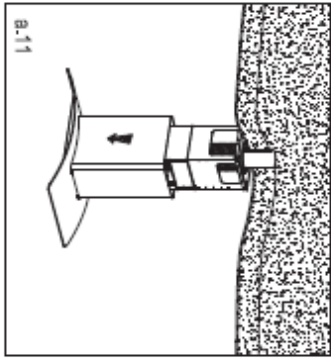
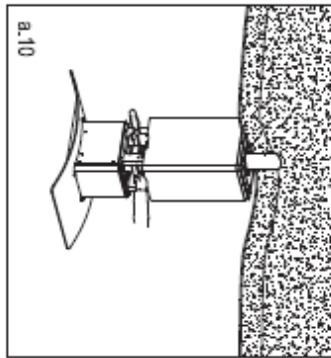
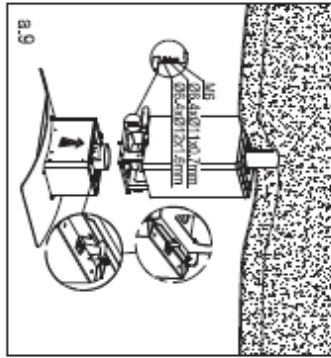
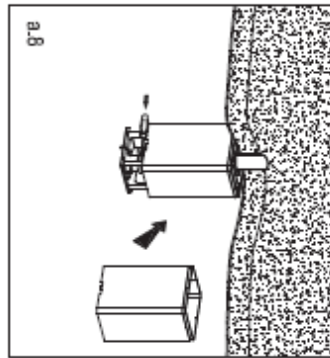
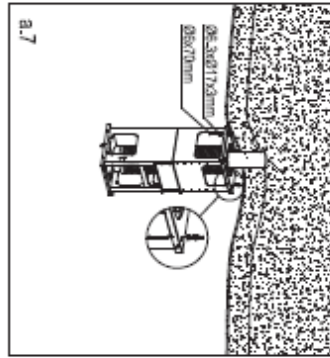
THE MANUFACTURER DECLINES ALL RESPONSIBILITY FOR EVENTUAL DAMAGES CAUSED BY FAILURE TO OBSERVE THESE INSTRUCTIONS.

The manufacturer reserves the right to effect any technological improvement or modification without prior notice.

Extended use of the light can reduce the lifespan of the bulb.

Changing the charcoal filter

If the extractor is recirculating, rather than ducting to the outside, the active charcoal filter must be replaced periodically, at least once every three months, to ensure the extractor works properly.



Free Manuals Download Website

<http://myh66.com>

<http://usermanuals.us>

<http://www.somanuals.com>

<http://www.4manuals.cc>

<http://www.manual-lib.com>

<http://www.404manual.com>

<http://www.luxmanual.com>

<http://aubethermostatmanual.com>

Golf course search by state

<http://golfingnear.com>

Email search by domain

<http://emailbydomain.com>

Auto manuals search

<http://auto.somanuals.com>

TV manuals search

<http://tv.somanuals.com>