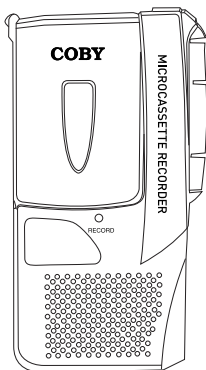


COBY®



CXR123

EN

**Voice-Activated Microcassette Recorder
Instruction ManualPage 2**

ES

**Grabar Microcinta con VAS
Manual de Instrucciones..... Página 18**

FR

**2.4" Lecteur Vidéo MP3 à Commandes Tactiles
Mode d'emploi Page 32**

Please read carefully before use • Léa el manual antes de usar •

Veuillez lire ce livret avant utilisation

Thank You

English

Thank you for purchasing the Coby CXR123 Voice-Activated Microcassette recorder. Please read this manual carefully before using the recorder. Visit the Coby website at www.cobyusa.com to find the most current version of this manual as well as other helpful guides.



To view PDF documents, download and install the free Adobe Acrobat reader from the Adobe website at www.adobe.com.

Your player features:

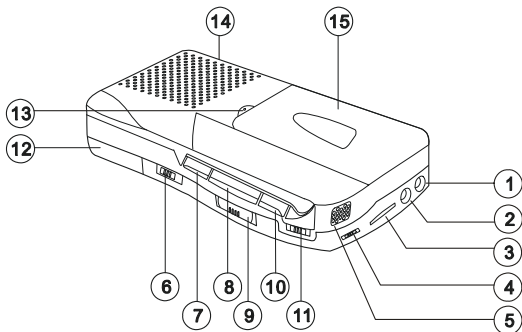
- ✦ Voice-activated recording system
- ✦ Selectable 2-speed recording and playback
- ✦ Integrated omni-directional condenser microphone with recording level control
- ✦ Integrated full-range speaker
- ✦ 3.5mm headphone jack for private listening
- ✦ 3.5mm microphone jack for optional external microphones

Table of Contents

CONTROLS AT A GLANCE	4
GETTING STARTED	6
Installing Batteries.....	6
Earphone Jack.....	6
Microphone Jack.....	6
Recording.....	7
Cue and Review	8
CONTROLS	9
Tape Speed.....	9
Pause.....	9
Fast Forward and Rewind	9
Voice Activated System (VAS)	10
Volume/VAS Sensitivity Control.....	10
Quick Review and Quick Recording.....	10
Tape Playback.....	11
Tape Erase	11
Edit a Recording	11
SUPPORT	12
SAFETY NOTICES	13
Important Safety Instructions.....	15

Controls at a Glance

English



Controls at a Glance

1.	3.5mm earphone jack
2.	3.5mm external microphone jack
3.	Volume control dial
4.	Voice-activated system switch (VAS)
5.	Built-in microphone
6.	SPEED switch
7.	STOP / EJECT button
8.	PLAY button
9.	F.FWD & REW switch (Fast-forward & Rewind)
10.	RECORD button
11.	PAUSE button
12.	Battery compartment (located on back panel) Load 2 x 1.5V "AA" batteries
13.	Recording indicator
14.	3V DC In power jack (optional)
15.	Microcassette compartment

Getting Started

English

Installing Batteries

Install two "AA" batteries (not included) into the battery compartment, matching the polarities as indicated.

To change batteries, slide open the battery compartment on the back of the unit. Insert 2 x "AA" batteries, matching the polarities as indicated. Replace the battery compartment door.



Remove the batteries if the unit will not be used for more than 30 days. Use alkaline batteries for longer life.



In case of malfunction, reset the unit to resume normal operation. Changing or reinstalling the batteries may be necessary.

Earphone Jack

When you plug your earphones (not included) into the EARPHONE jack, the built-in speaker will deactivate automatically.

Microphone Jack

When you plug your own external microphone (not included) into the MIC jack, the built-in microphone will deactivate automatically.

Getting Started

Recording

1. Press STOP/EJECT button to open the microcassette compartment.
2. Install a microcassette with the desired side facing outward (visible through window).
3. Close the microcassette compartment.
4. Set the VAS switch to OFF (for normal recording) or ON (to activate the voice activated system).
5. Press the RECORD button. The PLAY button will automatically engage. The Recording indicator will light.
6. Place the recorder close to the sound source.
7. Press the STOP/EJECT button to stop recording.



The first few sounds that activate the unit may not be recorded. For best results, say a few words before you begin dictation.

Variations in voice level will not cause the recorder to deactivate. The unit will stop recording after 2 – 6 seconds of silence.

The unit incorporates a built-in recording level control, which automatically sets the recording input level.

Getting Started

Cue and Review

English

To locate a specific portion of the tape during playback, you can fast forward or rewind the tape by sliding and holding the F.FWD-REW switch down or up. The recorded portion will produce a “chattering” sound during scanning, allowing the recorded and unrecorded portions of the tape to be easily distinguished. Release the switch to resume normal playback.

Tape Speed

- ✦ 2.4 (normal) tape speed: Compatible with most single-speed microcassettes.
- ✦ 1.2 tape speed: for longer recording, allows you to record up two hours on a 60-minute (MC-60) cassette.



Do not change the tape speed setting while recording.

Pause

- ✦ Slide the PAUSE switch up to suspend function in PLAY, RECORD, FAST FORWARD or REWIND mode.
- ✦ Slide the switch down to resume operation.

Fast Forward and Rewind

To rapidly advance or rewind the tape, press STOP/EJECT and slide the F.FWD-REW switch up or down into a locked position. Slide down to fast forward; slide up to rewind. Press STOP/EJECT to stop the tape at the desired position or once the tape has ended.

Voice Activated System (VAS)

- ✦ Set VAS switch to ON; when dictation pauses for two to six seconds, recording will stop temporarily. When dictation resumes, recording will continue.
 - ✧ Use the VOLUME/VAS SENS control to adjust the microphone sensitivity, so that it activates at the appropriate level of sound.
- ✦ Set VAS switch to OFF; recording will continue until the STOP/EJECT button is pressed.

Volume/VAS Sensitivity Control

- ✦ When the unit is in playback mode, this control adjusts the playback volume level.
- ✦ When the unit is in record mode, this control adjusts the microphone sensitivity. At maximum, a soft sound can turn on the recorder. At minimum, a louder sound is required.

Quick Review and Quick Recording

To play a recording which has just been made:

1. During recording, slide and hold the F.FWD-REW switch up to rewind the tape. The RECORD button will be released automatically.
2. When the desired position on the tape is reached, release the F.FWD-REW switch. Playback will begin.

Tape Playback

To listen to your recorded microcassette, rewind to the starting point and press STOP/EJECT. Press play and adjust the VOLUME control to the desired listening level.



A tape must be played back at the same speed used to record it.

Tape Erase

To erase a tape, simply record over the previously recorded section.

Edit a Recording

1. During playback, slide and hold the F.FWD-REW switch up to rewind the tape.
2. Release the F.FWD-REW switch just after the desired position on the tape is reached. Playback will continue.
3. When the desired position on the tape is reached, press the RECORD button to tape over an unwanted portion of a recording.

Support

English

If you have a problem with this device, please read the troubleshooting guide included with your instruction manual and check our website at www.cobyusa.com for Frequently Asked Questions (FAQs) and firmware updates. If these resources do not resolve the problem, please contact Technical Support.

Address

Coby Electronics Technical Support
56-65 Rust Street
Maspeth, NY 11378

Email

techsupport@cobyusa.com



Web

www.cobyusa.com

Phone

800-727-3592: Mon–Fri, 8:00AM–11:00PM EST
 Saturdays, 9:00AM–5:30PM EST
718-416-3197: Mon–Fri, 8:00AM–5:30PM EST

Safety Notices

	CAUTION WARNING: SHOCK HAZARD. DO NOT OPEN. AVIS: RISQUE DE CHOC ELECTRIQUE. NE PAS OUVRIR	
CAUTION: TO REDUCE THE RISK OF FIRE AND ELECTRIC SHOCK, DO NOT REMOVE THE COVER (OR BACK) OF THE UNIT. REFER SERVICING ONLY TO QUALIFIED SERVICE PERSONNEL.		



The lightning flash with arrowhead symbol within an equilateral triangle is intended to alert the user to the presence of uninsulated "dangerous voltage" within the product's enclosure that may be of sufficient magnitude to constitute a risk of electric shock.



The exclamation point within an equilateral triangle is intended to alert the user to the presence of important operation and servicing instructions in the literature accompanying the appliance.

For Customer Use:

Enter below the serial number that is located on the rear of the unit. Retain this information for future reference.

Model No. _____

Serial No. _____

WARNING: To prevent fire or shock hazard, do not expose this device to rain or moisture. Dangerous high voltage is present inside the enclosure. Do not open the cabinet.

CAUTION: To prevent electric shock, match wide blade of plug to wide slot of outlet and fully insert.

Safety Notices

English

Protect your hearing: Hearing experts advise against the constant use of personal stereos played at high volume. Constant exposure to high volumes can lead to hearing loss. If you should experience ringing in the ears or hearing loss, discontinue use and seek medical advice.

Caution

In case of malfunction, reset the unit to resume normal operation. Changing or reinstalling the batteries may be necessary.

Environmental Protection

Do not attempt to dispose of this product in your household garbage. Please bring the device to an appropriate collection center for the recycling of electronic appliances. Instructions included on the product or its packaging will provide more information on appropriate disposal methods.

For information on the location of an appropriate recycling center, please contact your local municipal authorities.

Important Safety Instructions

1. **Read Instructions:** All the safety and operating instructions should be read before the product is operated.
2. **Retain Instructions:** The safety and operating instructions should be retained for future reference.
3. **Heed Warnings:** All warnings on the product and in the operating instructions should be adhered to.
4. **Follow Instructions:** All operating and usage instructions should be followed.
5. **Cleaning:** Unplug this product from the wall outlet before cleaning. Do not use liquid cleaners or aerosol cleaners. Use a damp cloth for cleaning.
6. **Attachments:** Use only attachments recommended by the manufacturer. Use of other attachments may be hazardous.
7. **Water and Moisture:** Do not use this product near water (e.g., near a bath tub, washbowl, kitchen sink, laundry tub, in wet basements, near a swimming pool, etc).
8. **Ventilation:** Slots and openings in the cabinet are provided for ventilation to ensure reliable operation of the product and to protect it from overheating. These openings should never be blocked by placing the product on a bed, sofa, rug, or other similar surface. This product should not be placed in a built-in installation such as a bookcase or rack unless proper ventilation is provided or the manufacturer instructions have been adhered to.
9. **Power Sources:** This product should be operated only from the type of power source indicated on the rating label. If you are not sure of the type of power supply to your home, consult your product dealer or local power company. For products intended to operate from battery power or other sources, refer to the operating instructions.
10. **Overloading:** Do not overload wall outlets, extension cords, or integral convenience receptacles as this can result in a risk of fire or electric shock.
11. **Object and Liquid Entry:** Never push objects of any kind into this product through openings as they may touch dangerous voltage points or parts that could result in a fire or electric shock. Never spill liquid of any kind on the product.

Safety Notices

12. **Service:** Do not attempt to service this product yourself as opening or removing covers may expose you to dangerous voltage or other hazards. Refer all servicing to qualified service personnel.
13. **Damage Requiring Service:** Unplug this product from the wall outlet and refer servicing to qualified service personnel under the following conditions: a) when the power-supply or plug is damaged; b) if liquid has been spilled or if objects have fallen into the product; c) if the product has been exposed to rain or water; d) if the product does not operate normally by following the operating instructions. Adjust only those controls that are covered by the operating instructions as improper adjustment of other controls may result in damage and will often require extensive work by a qualified technician to restore the product to its normal operation; e) if the product has been dropped or damaged in any way; f) when the product exhibits a distinct change in performance—this indicates a need for service.
14. **Replacement Parts:** When replacement parts are required, be sure that your service technician has used replacement parts specified by the manufacturer or have the same characteristics as the original part. Unauthorized substitutions may result in fire, electric shock, or other hazards.
15. **Safety Check:** Upon completion of any service or repairs to this product, ask the service technician to perform safety checks to ensure that the product is in proper operating condition.
16. **Heat:** The product should be situated away from heat sources such as radiators, heat registers, stoves, or other products (including amplifiers) that produce heat.

Muchas Gracias

Gracias por comprar el Grabar Microcinta con Sistema de Activación Por Voz Coby CXR123. Por favor, lea este manual de instrucciones detenidamente antes de usar su nueva grabadora. La versión más actualizada de este manual y otros documentos útiles están disponibles para descargar en el sitio web de Coby: www.cobyusa.com.

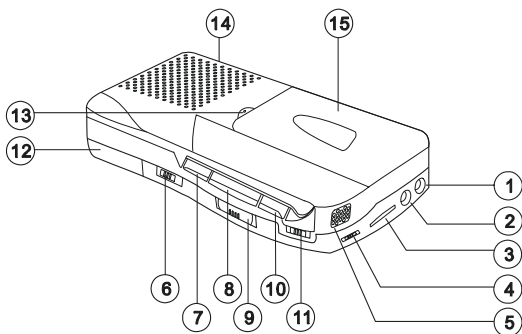


Para visualizar los documentos PDF, bajar e instalar gratuitamente el lector Adobe Acrobat la página Adobe es: www.adobe.com.

PANORAMA DE LOS CONTROLES	20
PARA EMPEZAR	22
Instalación de las Pilas.....	22
Earphone Jack.....	22
Microphone Jack.....	22
Grabación	22
Cue y Reproducción.....	24
CONTROLES	25
Velocidad Cinta.....	25
Pausa.....	25
Avanzar Rápido y Rebobinar	25
Sistema de Voz Activado (VAS).....	26
Control Volumen/VAS Sens.....	26
SOPORTE	27
AVISOS DE LA SEGURIDAD	28

Panorama de los Controles

Español



Panorama de los Controles

1.	Salida para auriculares
2.	Toma para micrófono
3.	Control de volumen
4.	Bóton de sistema de activación por voz
5.	Micrófono integrado
6.	Bóton de velocidad
7.	Bóton DETENER/EXPULSAR
8.	Bóton REPRODUCIR
9.	Bóton AVANCAR y REBOBINAR
10.	Bóton GRABAR
11.	Bóton PAUSA
12.	Compartimiento de la batería (panel posterior)
13.	Indicador grabar
14.	Toma alimentación DC
15.	Compartimiento microcinta

Para Empezar

Instalación de las Pilas

Instale dos pilas AA (no incluidas) en el compartimiento de la batería, respetando la polaridad como se indica en el interior de la cámara.



Retire las pilas si la unidad no va a ser utilizada por más de 30 días. Baterías alcalinas permitirá más tiempo de reproducción.



En caso de mal funcionamiento, restaurar la unidad para reanudar el funcionamiento normal. Cambiar o volver a instalar las baterías pueden ser necesarias.

Earphone Jack

Al conectar auriculares (no incluidos) en el conector para auriculares, el altavoz incorporado se desactiva automáticamente.

Microphone Jack

Cuando conecta su micrófono externo (no incluido) en el MIC, el micrófono incorporado se desactiva automáticamente.

Grabación

1. Pulse STOP / EJECT para abrir el compartimento de las microcintas.

Para Empezar

2. Instalar un microcinta con el hacia deseado el exterior (visible a través de la ventana).
3. Cerrar el compartimiento microcinta
4. Ajuste el interruptor en OFF EVA (para grabación normal) u ON (para activar el sistema de activación por voz.)
5. Pulse el botón de grabación. El botón PLAY automáticamente participar. El Registro de indicador se iluminará.
6. Coloque la grabadora cerca de la fuente de sonido.
7. Pulse STOP / EJECT para detener la grabación.



Los primeros sonidos que activar la unidad no puede ser registrada. Para obtener mejores resultados, decir unas palabras introductorias antes de comenzar el dictado.

Variación en el nivel de voz no detener temporalmente la unidad (de dos a seis segundos de silencio se requiere).

Incorporada en el registro de control de nivel ajusta automáticamente el nivel de entrada de grabación.

Para Empezar

Cue y Reproducción

Para localizar una porción determinada del cinta durante la reproducción, se puede avanzar rápido o rebobinar el cinta deslizando el botón F.FWD-REW abajo o hacia arriba. La parte grabada producirá un “vibraciones” de sonido, permitiendo que las porciones registrado y no registrado ser fácilmente distinguido durante la exploración. Por lo tanto, el registrado y no registrado del cinta puede ser fácilmente distinguido de exploración rápida. Suelte el conmutador para reanudar la reproducción normal.

Velocidad Cinta

- ✦ 2.4 (normal) velocidad cinta: Compatible con la mayoría de microcintas sola.
- ✦ 2.1.2 velocidad cinta: durante la grabación, le permite grabar hasta dos horas en uno de 60 minutos (MC-60) cinta.



No cambie la cinta de velocidad durante la grabación.

Pausa

- ✦ Deslice el interruptor PAUSA hasta suspender la función de modos reproducir, grabar, avanzar rápido o rebobinar.
- ✦ Deslice el interruptor hacia abajo para reanudar la operación.

Avanzar Rápido y Rebobinar

Para avanzar rápido o rebobinar la cinta, pulse STOP / EJECT y deslice el interruptor F.FWD-REW hacia arriba o hacia abajo en una posición de bloqueo. Para avanzar rápidamente, deslice hacia abajo. Para rebobinar, diapositiva. Pulse STOP / EJECT para detener la cinta en la posición deseada o una vez que la cinta ha finalizado.

Sistema de Voz Activado (VAS)

- ✦ Ajuste el interruptor VAS en ON, cuando el dictado de una pausa de dos a seis segundos, la grabación se detiene temporalmente. Cuando se reanude el dictado, la grabación continuará.
 - ✧ Utilice el VOLUMEN / VAS SENS de control para ajustar la sensibilidad del micrófono, de modo que se activa en el nivel adecuado de sonido.
- ✦ Ajuste el interruptor VAS en OFF, la grabación continuará hasta que el botón STOP/EJECT es presionado.

Control Volumen/VAS Sens

- ✦ Cuando la unidad está en modo de reproducción, este control ajusta el nivel de volumen de reproducción.
- ✦ Cuando la unidad está en modo de grabación, este control se ajusta la sensibilidad del micrófono. Como máximo, un sonido suave puede encender la grabadora. Como mínimo, un sonido fuerte se requiere.

Soporte

Si usted encuentra algún problema con esta unidad, por favor visite nuestra página en la red www.cobyusa.com para preguntas más frecuentes (FAQs) y puesta al día sobre novedades. Si esto no resolviese el problema, por favor contacte con nuestro servicio técnico.

Domicilio

COBY Electronics Technical Support
56-65 Rust Street
Maspeth, NY 11378

Email

techsupport@cobyusa.com

Red



www.cobyusa.com

Telefono

800-727-3592: 8:00AM–9:00PM EST, a diario
9:00AM–5:30PM EST, Sabados

718-416-3197: 8:00AM–5:30PM EST, a diario

Avisos de la Seguridad

	PRECAUCIONES ADVERTENCIA: PELIGRO DE ELECTROCUCIÓN. NO ABRIR.	
PRECAUCIÓN: PARA REDUCIR EL RIESGO DE INCENDIO Y CHOQUE ELÉCTRICO, NO RETIRE LA CUBIERTA (O PARTE POSTERIOR) DE LA UNIDAD. PARA REALIZAR EL MANTENIMIENTO, ACUDA ÚNICAMENTE A PERSONAL DE SERVICIO CALIFICADO.		

Español



El relámpago con el símbolo de flecha dentro de un triángulo equilátero tiene el propósito de advertir al usuario de la presencia de voltaje peligroso no aislado dentro del gabinete del producto que puede ser de suficiente magnitud como para constituir un riesgo de descarga eléctrica.



El signo de exclamación dentro de un triángulo equilátero tiene el propósito de advertir al usuario de la presencia de instrucciones de funcionamiento y reparación importantes en el material impreso que acompaña al artefacto.

Para uso de los clientes:

Ingrese a continuación el número de serie que se encuentra en la parte trasera de la unidad. Conserve esta información para referencias futuras

Nº de modelo _____

Nº de serie _____

ADVERTENCIA: Para prevenir el riesgo de descarga eléctrica, no exponga este dispositivo a la lluvia ni a la humedad. Adentro del gabinete se encuentra alto voltaje peligroso. No lo abra.

ADVERTENCIA: Para prevenir descargas eléctricas, haga coincidir la paleta ancha del enchufe con la ranura ancha e insértela completamente.

Avisos de la Seguridad

Proteja su audición: Los expertos en audición advierten contra el uso constante de estéreos personales a volumen alto. La exposición constante al volumen alto puede llevar a la pérdida de la audición. Si le zumban los oídos o sufre una pérdida de audición, suspenda el uso y busque asesoramiento médico.



Para obtener información de reciclaje o eliminación sobre este producto, comuníquese con sus autoridades locales o con la Alianza de Industrias Electrónicas: www.eiae.org.

Avisos de la Seguridad

Consignes de Sécurité Importantes

1. Lea las instrucciones: Deberá leer todas las instrucciones de seguridad y funcionamiento, antes de poner en funcionamiento este producto.
2. Conserve las instrucciones: Deberá conservar las instrucciones de seguridad y funcionamiento para referencia futura.
3. Preste atención a las advertencias: Deberá respetar todas las advertencias contenidas en el producto y en las instrucciones de funcionamiento.
4. Siga las instrucciones: Deberá seguir todas las instrucciones de uso y funcionamiento.
5. Limpieza: Desconecte este producto del tomacorriente de pared antes de la limpieza. No utilice productos de limpieza líquidos o en aerosol. Utilice un paño húmedo para la limpieza.
6. Complementos: Utilice sólo complementos recomendados por el fabricante. El uso de otros complementos puede ser peligroso.
7. Agua y humedad: No utilice este producto cerca del agua (por ejemplo: cerca de una bañera, lavatorio, lavaplatos o tina para lavar ropa, en un sótano mojado ni cerca de una piscina, etc.).
8. Ventilación: El gabinete posee ranuras y aberturas para asegurar la correcta ventilación del producto, su buen funcionamiento y para protegerlo del recalentamiento. Nunca se deben bloquear estas aberturas al colocar el producto sobre una cama, sofá, alfombra u otras superficies similares. No se debe colocar este producto en un mueble empotrado, tal como biblioteca o estante, salvo que se proporcione una ventilación correcta o se cumplan las instrucciones del fabricante del producto.
9. Fuentes de alimentación: Este producto debe utilizarse sólo con el tipo de fuente de alimentación indicada en la etiqueta de clasificación. Si no está seguro del tipo de alimentación de energía eléctrica en su hogar, consulte con el distribuidor del producto o con la compañía eléctrica local. Para los productos que funcionan a batería o con otras fuentes de alimentación, consulte las instrucciones de funcionamiento.
10. Sobrecarga: No sobrecargue los tomacorrientes de pared, alargues o tomacorrientes múltiples, ya que esto puede tener como resultado un riesgo de incendio o descarga eléctrica.

Avisos de la Seguridad

11. **Entrada de objetos y líquido:** Nunca introduzca objetos de ningún tipo dentro de este producto a través de las aberturas, ya que pueden ponerse en contacto con puntos de voltaje peligrosos o piezas que ocasionarían incendios o descargas eléctricas. No derrame nunca líquido de ningún tipo sobre el producto.
12. **Reparaciones:** No intente reparar este producto usted mismo, ya que al abrir o quitar las cubiertas se expondría a voltaje peligroso u otros peligros. Para cualquier reparación, póngase en contacto con el personal técnico calificado.
13. **Daños que requieran servicio técnico:** Desconecte este producto del enchufe de pared y contáctese con personal técnico calificado en las siguientes situaciones: a) cuando la fuente de alimentación o el enchufe estén dañados; b) si se ha derramado líquido, han caído objetos dentro del producto; c) si el producto ha sido expuesto a lluvia o al agua; d) si el producto no funciona normalmente al seguir las instrucciones de funcionamiento. Ajuste sólo aquellos controles incluidos en las instrucciones de funcionamiento, ya que el ajuste inadecuado de otros controles puede ocasionar daños y requerir con frecuencia un trabajo profundo por parte de un técnico calificado para restaurar el funcionamiento normal del producto; e) si el producto se ha caído o ha sufrido algún daño; f) cuando el producto presenta un cambio marcado en su rendimiento; esto indica que necesita mantenimiento.
14. **Repuestos:** Cuando se requieren repuestos, asegúrese de que el servicio técnico haya utilizado las piezas de reemplazo especificadas por el fabricante o que posean las mismas características que la pieza original. Las sustituciones no autorizadas pueden provocar incendio, descarga eléctrica u otros riesgos.
15. **Controles de seguridad:** Una vez completado el servicio o las reparaciones de este producto, solicite al servicio técnico que realice controles de seguridad para asegurar que se encuentra en condición de funcionamiento correcto.
16. **Calor:** El producto debe ubicarse lejos de fuentes de calor tales como radiadores, rejillas de aire caliente, calentadores u otros productos (incluyendo los amplificadores) que produzcan calor.

Merci

Thank you for purchasing the Coby CXR123 Enregistreur Microcassette avec Système de Déclenchement Vocale. S'il vous plaît lisez attentivement ce manuel d'instructions avant d'utiliser votre nouvel enregistreur. La plus récente version de ce manuel et d'autres documents utiles sont disponibles pour téléchargement sur le site Web de Coby: www.cobyusa.com.

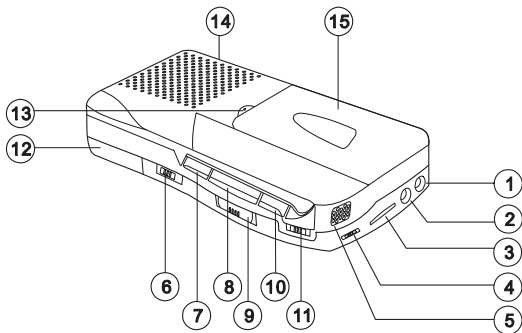


Pour visualiser les documents PDF, téléchargez et installez gratuitement le lecteur Adobe Acrobat à partir du site Web Adobe sur www.adobe.com.

Index

COMMANDES EN UN COUP D'OEIL.....	34
POUR DÉMARRER.....	36
Installation des Piles	36
Prise Casque.....	36
Prise Microphone 3.5mm.....	36
Enregistrement.....	36
Cue et Lecture	37
CONTRÔLES	38
Vitesse Cassette.....	38
Pause.....	38
Avancer/Rembobiner	38
Système de Déclenchement Vocale (VAS)	39
Contrôle Volume/VAS Sens.....	39
PANNES	40
NOTICES DE SÛRETÉ	41

Commandes en un Coup D'oeil



Commandes en un Coup D'oeil

1.	Prise casque
2.	Prise microphone
3.	Contrôle de volume
4.	Bouton de la système de déclenchement vocale
5.	Microphone intégrée
6.	Bouton vitesse
7.	Bouton ARRÊTER/ÉJECTER
8.	Bouton LECTURE
9.	Bouton AVANCER/REMBOBINER
10.	Bouton ENREGISTRER
11.	Bóton PAUSE
12.	Compartiment des piles (panneau arrière)
13.	Voyant d'enregistrement
14.	Prise d'alimentation 3V DC
15.	Compartiment des microcassettes

Pour Démarrer

Installation des Piles

Installez deux piles AA (non incluses) dans le compartiment à piles, correspondant à la polarité indiquée.



Retirez les piles si l'appareil n'est pas utilisé pendant plus de 30 jours. Utilisation de piles alcalines de fournir plus de temps d'enregistrement.



En cas de mauvais fonctionnement, de réinitialiser l'unité pour reprendre un fonctionnement normal. Changer les piles ou de la réinstallation de mai est nécessaire.

Prise Casque

Lorsque vous branchez vos écouteurs (non inclus) dans la prise casque, le haut-parleur se désactive automatiquement.

Prise Microphone 3.5mm

Lorsque vous branchez votre microphone externe (non inclus) dans la prise MIC, le microphone se désactiver automatiquement.

Enregistrement

1. Appuyez la bouton STOP/EJECT pour ouvrir la compartiment microcassette.
2. Mettez la microcassette avec la face désirée vers l'extérieur (visible par la fenêtre).

Pour Démarrer

3. Fermez la compartiment.
4. Mettez la commutateur VAS a "OFF" (pour l'enregistrement normale) ou "ON" (pour activer la systeme de déclenchement vocale).
5. Appuyez la bouton ENREGISTRER. La bouton LECTURE s'engagera automatiquement. La voyant d'enregistrement s'illuminera.
6. Mettez l'enregistreur à proximité de la source sonore.
7. Appuyez STOP / EJECT pour arrêter l'enregistrement.



Les premiers sons qui activent l'appareil pourrait ne pas être enregistré. Disez quelques mots d'introduction avant de commencer la dictation.

Les variations des niveaux vocales n'arreterent pas l'unité. (Cela exige une silence de 2 – 6 seconds.)

L'unité se définit automatiquement le niveau d'enregistrement.

Cue et Lecture

Pour chercher une section spécifique de la cassette pendant la lecture, vous pouvez avancer ou rembobiner la cassette en glissant le commutateur AVANCER/REMBOBINER. La section enregistrée est distingué par un son de bavardage pendant le balayage. Liberez le commutateur pour reprendre la lecture normale.

Vitesse Cassette

- ✦ 2.4 (normal) vitesse cassette: Compatible avec la plupart des microcassettes de seule vitesse.
- ✦ 1.2 vitesse cassette: de plus l'enregistrement, vous permet d'enregistrer jusqu'à deux heures sur une période de 60 minute (MC-60).



Ne change pas la vitesse cassette pendant l'enregistrement.

Pause

- ✦ Faites glisser le commutateur de fonction pour suspendre les modes PLAY, RECORD, FAST FORWARD ou REWIND.
- ✦ Faites glisser le commutateur vers le bas pour reprendre l'opération.

Avancer/Rembobiner

Pour avancer ou rebobiner la cassette, appuyez STOP/EJECT et glissez le commutateur AVANCER/REMB. vers le haut ou vers le bas jusqu'à ce qu'il se bloque. Pour avancer, glissez-le vers le bas. Pour rebobiner, glissez-le vers le haut. Appuyez STOP/EJECT pour arrêter la cassette à la position voulu, ou après que la cassette est terminée.

Système de Déclenchement Vocale (VAS)

- ✦ Mettre l'interrupteur VAS sur ON, quand la dictée des pauses de deux à six secondes, l'enregistrement s'arrête temporairement. Lorsque la dictée reprend, l'enregistrement se poursuit.
 - ✧ Tournez la molette de volume/VAS pour ajuster la sensibilité du microphone afin qu'il active au niveau du son.
- ✦ Mettre l'interrupteur VAS à la position OFF, l'enregistrement se poursuivra jusqu'à ce que la touche STOP est pressée.

Contrôle Volume/VAS Sens

- ✦ Lorsque l'appareil est en mode de lecture, ce contrôle ajuste le niveau de volume de lecture.
- ✦ Lorsque l'appareil est en mode d'enregistrement, ce contrôle d'ajuster la sensibilité du microphone. Au maximum, un son doux peut allumer l'enregistreur. Au minimum, un son est fort nécessaire.

Pannes

Si vous avez un problème avec cet appareil, veuillez lire le guide des pannes ci-dessous et consultez notre site Internet www.cobyusa.com pour les questions les plus fréquentes (FAQs) et les mises à jour du micrologiciel. Si ces sources ne résolvent pas votre problème, veuillez contacter le service technique.

Adresse

COBY Electronics Technical Support
56-65 Rust Street
Maspeth, NY 11378

Email

techsupport@cobyusa.com

Internet


www.cobyusa.com

Téléphone

800-727-3592: En semaine de 8h00 à 21h00 EST
Le week-end de 9h00 à 17h30 EST

718-416-3197: En semaine de 8h00 à 17h30 EST

Notices de Sûreté

	PRÉCAUTIONS	
AVERTISSEMENT : RISQUE DE DÉCHARGE ÉLECTRIQUE. NE PAS OUVRIR		
ATTENTION : AFIN DE RÉDUIRE LE RISQUE D'INCENDIE OU DE DÉCHARGE ÉLECTRIQUE, NE RETIREZ PAS LE CAPOT (OU PANNEAU ARRIÈRE) DE L'APPAREIL. SEULS LES TECHNICIENS DE SERVICE QUALIFIÉS DOIVENT EFFECTUER L'ENTRETIEN DE L'APPAREIL.		



Le symbole en forme d'éclair fléché placé dans un triangle équilatéral informe l'utilisateur de la présence de "tensions dangereuses" non isolées au sein du boîtier du produit dont l'amplitude peut constituer un risque de décharge électrique.



Le point d'exclamation placé dans un triangle équilatéral informe l'utilisateur que des instructions d'utilisation et de maintenance importantes sont fournies dans la documentation qui accompagne le produit.

Information client :

Notez ci-après le numéro de série situé sur l'appareil. Conservez ces informations pour pouvoir vous y référer ultérieurement.

Numéro du modèle _____

Numéro de série _____

AVERTISSEMENT : Afin d'éviter tout risque d'incendie ou de décharge électrique, n'exposez pas cet appareil à la pluie ou à l'humidité. Le boîtier renferme des tensions élevées dangereuses. N'ouvrez pas le boîtier de l'appareil.

ATTENTION : Afin d'éviter toute décharge électrique, alignez la broche large de la fiche en face de l'orifice large de la prise électrique et insérez-la complètement.

Notices de Sûreté

Protégez votre audition : Les spécialistes de l'audition déconseillent l'utilisation prolongée d'écouteurs stéréo à un niveau de volume élevé. L'écoute à un niveau de volume élevé constant peut provoquer des pertes auditives. Si vous souffrez de bourdonnements dans les oreilles ou de perte d'audition, arrêtez d'utiliser les écouteurs et consultez votre médecin.



Pour de plus amples informations sur le recyclage ou la mise au rebut de ce produit, veuillez contacter les autorités locales ou les représentants de l'EIA (Alliance des industries du secteur de l'électronique) : www.eiae.org.

Consignes de Sécurité Importantes

1. Lisez les instructions : Toutes les instructions de sécurité et de fonctionnement devraient être lues avant utilisation.
2. Gardez ces instructions : Vous devriez conserver ce manuel pour référence future.
3. Mises en garde : Vous devriez respecter tous les avertissements et toutes les instructions pour ce produit.
4. Suivez les instructions : Vous devriez suivre toutes les instructions d'usage.
5. Nettoyage : Débranchez ce produit avant de le nettoyer. Ne pas utiliser de nettoyants liquides ou en aérosol. Utilisez un chiffon humide pour nettoyer.
6. Attaches : N'utilisez que les attaches recommandées par le fabricant. L'utilisation d'autres attaches pourrait être dangereuse.
7. Eau et humidité : Ne pas utiliser ce produit près d'une source d'eau (par ex. près d'une baignoire, d'un évier, de la machine à laver, dans une cave humide ou près d'une piscine, etc.).
8. Ventilation : Les fentes et ouvertures du boîtier sont prévues pour la ventilation afin d'assurer le fonctionnement fiable du produit et de le protéger contre une éventuelle surchauffe. Ces ouvertures ne devraient jamais être bloquées par un lit, un canapé, un tapis ou similaire. Ce produit ne devrait jamais être posé sur une installation murale, comme une étagère, à moins que la ventilation ne soit adéquate et que les instructions du fabricant n'aient été suivies.
9. Sources de courant : Ce produit ne devrait fonctionner qu'avec le type de courant indiqué sur l'étiquette. Si vous n'êtes pas certain du type de courant, demandez à votre représentant commercial ou à votre compagnie d'électricité. Pour les produits fonctionnant avec une pile ou autres sources, veuillez consulter les instructions.
10. Surcharge : Ne pas faire de multiples branchements dans les prises, avec les rallonges électriques ou des multiprises car cela pourrait entraîner un incendie ou une électrocution.
11. Insertion d'objet ou de liquide: N'insérez jamais d'objets de quelque sorte que ce soit dans cet appareil par le biais des fentes car ils pourraient entrer en contact avec des points de voltage ou des pièces, provoquant ainsi un risque d'incendie ou de choc électrique. Ne jamais renverser de liquide sur cet appareil.

Notices de Sûreté

12. Maintenance : Ne tentez pas de réparer ce produit vous-même; ouvrir ou enlever l'enveloppe du produit pourrait vous exposer à un voltage dangereux ou à d'autres risques. Ne faire appel qu'à des professionnels qualifiés.
13. Dégâts requérant des réparations : Débranchez cet appareil et confiez-le à un professionnel qualifié dans les cas de figure suivants : a) le cordon d'alimentation est endommagé ou la prise est défectueuse ; b) du liquide s'est déversé dans l'appareil ou des objets s'y sont glissés ; c) l'appareil est entré en contact avec de la pluie ou de l'eau ; d) l'appareil ne fonctionne pas correctement bien que les consignes d'installation aient été respectées. Effectuez uniquement les réglages indiqués dans les consignes d'installation car d'autres réglages incorrects risquent de provoquer des dommages nécessitant la plupart du temps l'intervention prolongée d'un technicien qualifié pour restaurer le fonctionnement normal du produit ; e) l'appareil est tombé ou endommagé ; f) l'appareil vous semble nettement moins performant qu'auparavant, indiquant ainsi la nécessité de recourir à une réparation.
14. Pièces détachées : Si des pièces détachées sont requises, assurez-vous que le technicien utilise les mêmes pièces que le fabricant ou des pièces ayant les mêmes caractéristiques que les originales. Des substitutions non autorisées pourraient causer un incendie, une électrocution ou autres dangers.
15. Contrôle de routine : Si des réparations ont été effectuées sur ce produit, demandez au technicien de faire les contrôles de sécurité recommandés par le fabricant afin de déterminer que l'appareil est en bonne condition de fonctionnement.
16. Chaleur : Ce produit devrait être placé loin de sources de chaleur comme des radiateurs, des indicateurs de chaleur, de cuisinières ou autres produits (y compris des amplificateurs) étant source de chaleur.

Coby Electronics Corporation

1991 Marcus Ave, Suite 301
Lake Success, NY 11042

www.cobyusa.com

www.ecoby.com

Coby is a registered trademark of Coby Electronics Corporation. Printed in China.

COBY es la marca registrada de COBY Electronics Corporation. Imprimido en China.

Coby est une marque de fabrique de Coby Electronics Corporation. Imprimé en Chine.

Free Manuals Download Website

<http://myh66.com>

<http://usermanuals.us>

<http://www.somanuals.com>

<http://www.4manuals.cc>

<http://www.manual-lib.com>

<http://www.404manual.com>

<http://www.luxmanual.com>

<http://aubethermostatmanual.com>

Golf course search by state

<http://golfingnear.com>

Email search by domain

<http://emailbydomain.com>

Auto manuals search

<http://auto.somanuals.com>

TV manuals search

<http://tv.somanuals.com>