



## GOURMET COFFEE GRINDERS

### RETAIL AND SUPERMARKET MODELS

ITEM NO

PROJECT

DATE

### FEATURES AT A GLANCE

- Automatic Operation
- On/Off and Bag Interlock Switch - machine will grind only when bag is in place
- "Click-Stop" Adjustable Grind Settings - from extra coarse to espresso
- 2.5 lb. Hopper Capacity - with wide mouth opening
- Standard Black or Red Finish
- Positive Flow Gravity Feed with Stainless Steel Hopper - allows for uninterrupted bean flow
- Hopper Safety Guards
- Investment Cast/Precision Machine Cut Grinding Burrs - for long life and precise grind control
- Uniform Grind Profile - without burning or scorching
- Powerful .5 hp Motor
- Front-Mounted Safety Circuit Breaker
- Standard 120VAC operation

#### Click-Stop Grind Settings

From extra coarse to espresso.



Regular Perk



Electric Perk



Auto Drip



Fine



Espresso



GSG-3BLK



GSG-3RED

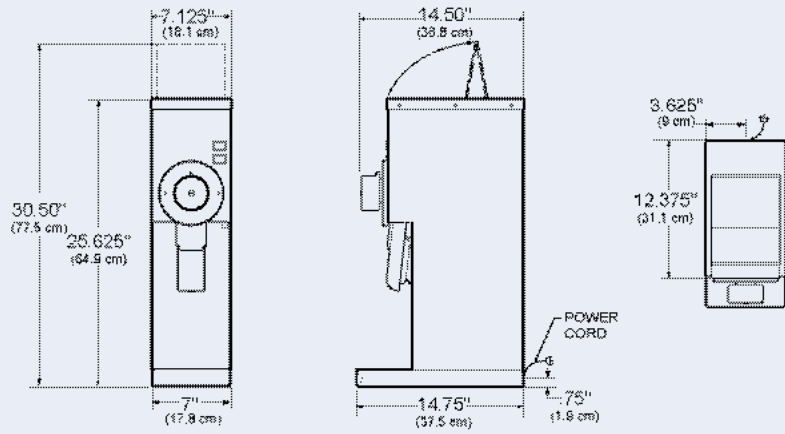
### Heavy-Duty Performance

Grind all types of gourmet coffees from extra coarse to espresso with the Curtis Gourmet Coffee Grinder. Designed for supermarkets and Specialty Coffee Retailers, these self-serve grinders quickly create beautifully ground coffee from whole roasted beans. Curtis grinders feature a large-capacity hopper for quick throughput, integral on/off

and bag-in-place switch, standard 120VAC operation and much more.

Customers simply select their preferred grind with the exclusive click-stop selector, deposit beans, and put the bag in place. In moments, the Curtis GSG quickly grinds the beans for a perfectly rich, flavorful pot of coffee.

# GSG



SPECIFICATIONS	GSG
Hopper Capacity	2.5 lbs.
Dimensions (HxWxD)	25.625 x 7.125 x 14.75
Voltage	120VAC/60Hz
Power Requirements	8A
Motor	.50 HP
Shipping Weight	52 lbs.
Cube	4.36 cu. ft.



**WILBUR CURTIS COMPANY, INC.**  
 6913 Acco Street, Montebello, CA 90640-5403  
 Telephone: 800-421-6150 · 323-837-2300  
 Fax: 323-837-2406  
[www.wilburcurtis.com](http://www.wilburcurtis.com)



## Free Manuals Download Website

<http://myh66.com>

<http://usermanuals.us>

<http://www.somanuals.com>

<http://www.4manuals.cc>

<http://www.manual-lib.com>

<http://www.404manual.com>

<http://www.luxmanual.com>

<http://aubethermostatmanual.com>

Golf course search by state

<http://golfingnear.com>

Email search by domain

<http://emailbydomain.com>

Auto manuals search

<http://auto.somanuals.com>

TV manuals search

<http://tv.somanuals.com>