

Dell™ Color Cloud Multifunction Printer | H625cdw
Dell™ Color Cloud Multifunction Printer | H825cdw
Dell™ Color Smart Multifunction Printer | S2825cdn
User's Guide

Regulatory Model: H625cdw
H825cdw
S2825cdn



Notes, Cautions, and Warnings



NOTE:

- A **NOTE** indicates important information that helps you make better use of the printer.



CAUTION:

- A **CAUTION** indicates **potential damage to hardware or loss of data if instructions are not followed.**



WARNING:

- A **WARNING** indicates a **potential for property damage, personal injury, or death.**

Information in this document is subject to change without notice.

© 2015 Dell Inc. All rights reserved.

Reproduction of these materials in any manner whatsoever without the written permission of Dell Inc. is strictly forbidden.

Trademarks used in this text:

Dell and the *DELL* logo are trademarks of Dell Inc.

Microsoft, Windows, Windows Server, and Windows Vista are either trademarks or registered trademarks of Microsoft Corporation in the United States and/or other countries.

Apple, Bonjour, iPhone, Macintosh, Mac OS, AirPrint, and the *AirPrint* logo are trademarks of Apple Inc.

Adobe, PostScript, and *Photoshop* are either registered trademarks or trademarks of Adobe Systems Incorporated in the United States and/or other countries.

RSA and *BSAFE* are either registered trademarks or trademarks of EMC Corporation in the United States and/or other countries.

Microsoft product screen shot(s) reprinted with permission from Microsoft Corporation.

Other trademarks and trade names may be used in this document to refer to either the entities claiming the marks and names or their products. Dell Inc. disclaims any proprietary interest in trademarks and trade names other than its own.

About License

XML Paper Specification (XPS): This product may incorporate intellectual property owned by Microsoft Corporation. The terms and conditions upon which Microsoft is licensing such intellectual property may be found at <http://go.microsoft.com/fwlink/?LinkId=52369>; *DES*: This product includes software developed by Eric Young (eay@mincom.oz.au); *AES*: Copyright (c) 2003, Dr Brian Gladman, Worcester, UK. All rights reserved. This product uses published AES software provided by Dr Brian Gladman under BSD licensing terms; *TIFF (libtiff)*: Copyright (c) 1988-1997 Sam Leffler and Copyright (c) 1991-1997 Silicon Graphics, Inc.; *ICC Profile (Little cms)*: Copyright (c) 1998-2004 Marti Maria.

As for RSA BSAFE



This printer includes RSA® BSAFE® Cryptographic software from EMC Corporation.

ICC Profile Header

Copyright (c) 1994-1996 SunSoft, Inc.

Rights Reserved

Permission is hereby granted, free of charge, to any person obtaining a copy of this software and associated documentation files (the "Software"), to deal in the Software without restriction, including without limitation the rights to use, copy, modify, merge, publish distribute, sublicense, and/or sell copies of the Software, and to permit persons to whom the Software is furnished to do so, subject to the following conditions:

The above copyright notice and this permission notice shall be included in all copies or substantial portions of the Software.

THE SOFTWARE IS PROVIDED "AS IS", WITHOUT WARRANTY OF ANY KIND, EXPRESS OR IMPLIED, INCLUDING BUT NOT LIMITED TO THE WARRANTIES OF MERCHANTABILITY, FITNESS FOR A PARTICULAR PURPOSE AND NON-INFRINGEMENT. IN NO EVENT SHALL SUNSOFT, INC. OR ITS PARENT COMPANY BE LIABLE FOR ANY CLAIM, DAMAGES OR OTHER LIABILITY, WHETHER IN AN ACTION OF CONTRACT, TORT OR OTHERWISE, ARISING FROM, OUT OF OR IN CONNECTION WITH THE SOFTWARE OR THE USE OR OTHER DEALINGS IN THE SOFTWARE.

Except as contained in this notice, the name of SunSoft, Inc. shall not be used in advertising or otherwise to promote the sale, use or other dealings in this Software without written authorization from SunSoft Inc.

JPEG Library

Independent JPEG Group's free JPEG software

This package contains C software to implement JPEG image encoding, decoding, and transcoding. JPEG is a standardized compression method for full-color and gray-scale images. The distributed programs provide conversion between JPEG "JFIF" format and image files in PBMPLUS PPM/PGM, GIF, BMP, and Targa file formats. The core compression and decompression library can easily be reused in other programs, such as image viewers. The package is highly portable C code; we have tested it on many machines ranging from PCs to Crays.

We are releasing this software for both noncommercial and commercial use. Companies are welcome to use it as the basis for JPEG-related products. We do not ask a royalty, although we do ask for an acknowledgement in product literature (see the README file in the distribution for details). We hope to make this software industrial-quality --- although, as with anything that's free, we offer no warranty and accept no liability.

For more information, contact jpeg-info@jpegclub.org.

Contents of this directory

jpegsrc.vN.tar.gz contains source code, documentation, and test files for release N in Unix format.

jpegrN.zip contains source code, documentation, and test files for release N in Windows format.

jpegaltui.vN.tar.gz contains source code for an alternate user interface for cjpeg/djpeg in Unix format.

jpegaltuiN.zip contains source code for an alternate user interface for cjpeg/djpeg in Windows format.

wallace.ps.gz is a PostScript file of Greg Wallace's introductory article about JPEG. This is an update of the article that appeared in the April 1991 Communications of the ACM.

jpeg.documents.gz tells where to obtain the JPEG standard and documents about JPEG-related file formats.

jfif.ps.gz is a PostScript file of the JFIF (JPEG File Interchange Format) format specification.

jfif.txt.gz is a plain text transcription of the JFIF specification; it's missing a figure, so use the PostScript version if you can.

TIFFTechNote2.txt.gz is a draft of the proposed revisions to TIFF 6.0's JPEG support.

pm.errata.gz is the errata list for the first printing of the textbook "JPEG Still Image Data Compression Standard" by Pennebaker and Mitchell.

jdosaobj.zip contains pre-assembled object files for JMEMDOS.ASM. If you want to compile the IJG code for MS-DOS, but don't have an assembler, these files may be helpful.

Math Library

Copyright (C) 1993 by Sun Microsystems, Inc. All rights reserved.

Developed at SunPro, a Sun Microsystems, Inc. business.

Permission to use, copy, modify, and distribute this software is freely granted, provided that this notice is preserved.

=====

copysignf.c: * Copyright (C) 1993 by Sun Microsystems, Inc. All rights reserved.

math_private.h: * Copyright (C) 1993 by Sun Microsystems, Inc. All rights reserved.

powf.c: * Copyright (C) 1993 by Sun Microsystems, Inc. All rights reserved.

scalbnf.c: * Copyright (C) 1993 by Sun Microsystems, Inc. All rights reserved.

libtiff

Copyright (C) 1988-1997 Sam Leffler

Copyright (C) 1991-1997 Silicon Graphics, Inc.

Permission to use, copy, modify, distribute, and sell this software and its documentation for any purpose is hereby granted without fee, provided that (i) the above copyright notices and this permission notice appear in all copies of the software and related documentation, and (ii) the names of Sam Leffler and Silicon Graphics may not be used in any advertising or publicity relating to the software without the specific, prior written permission of Sam Leffler and Silicon Graphics.

THE SOFTWARE IS PROVIDED "AS-IS" AND WITHOUT WARRANTY OF ANY KIND, EXPRESS, IMPLIED OR OTHERWISE, INCLUDING WITHOUT LIMITATION, ANY WARRANTY OF MERCHANTABILITY OR FITNESS FOR A PARTICULAR PURPOSE.

IN NO EVENT SHALL SAM LEFFLER OR SILICON GRAPHICS BE LIABLE FOR ANY SPECIAL, INCIDENTAL, INDIRECT OR CONSEQUENTIAL DAMAGES OF ANY KIND, OR ANY DAMAGES WHATSOEVER RESULTING FROM LOSS OF USE, DATA OR PROFITS, WHETHER OR NOT ADVISED OF THE POSSIBILITY OF DAMAGE, AND ON ANY THEORY OF LIABILITY, ARISING OUT OF OR IN CONNECTION WITH THE USE OR PERFORMANCE OF THIS SOFTWARE.

Zlib

zlib.h -- interface of the 'zlib' general purpose compression library version 1.2.8, April 28th, 2013

Copyright (C) 1995-2013 Jean-loup Gailly and Mark Adler

This software is provided 'as-is', without any express or implied warranty. In no event will the authors be held liable for any damages arising from the use of this software.

Permission is granted to anyone to use this software for any purpose, including commercial applications, and to alter it and redistribute it freely, subject to the following restrictions:

1. The origin of this software must not be misrepresented; you must not claim that you wrote the original software. If you use this software in a product, an acknowledgment in the product documentation would be appreciated but is not required.
2. Altered source versions must be plainly marked as such, and must not be misrepresented as being the original software.
3. This notice may not be removed or altered from any source distribution.

Jean-loup Gailly
jloup@gzip.org

Mark Adler
madler@alumni.caltech.edu

UNITED STATES GOVERNMENT RESTRICTED RIGHTS

This software and documentation are provided with RESTRICTED RIGHTS. Use, duplication or disclosure by the Government is subject to restrictions as set forth in subparagraph (c)(1)(ii) of the Rights in Technical Data and Computer Software clause at DFARS 252.227-7013 and in applicable FAR provisions: Dell Inc., One Dell Way, Round Rock, Texas, 78682, USA.

October 2015 Rev. A00

Contents

Notes, Cautions, and Warnings	2
1 Before Beginning	13
About This Guide	14
Conventions	14
Finding Information	15
Product Features	16
Printer Overview	19
Front and Rear View	19
Duplex Automatic Document Feeder (DADF)	21
Operator Panel	21
Optional Accessory	23
Graphic Symbols on the Printer and Their Meanings	24
2 Setting Up the Printer	25
Overview of the Printer Setup	26
Preparing to Set Up the Printer	27
Space Requirements	27
Securing the Printer	27
Connecting Your Printer to a Telephone Line	28
Connecting the Printer to the Wall Jack	28
Connecting the Printer to a Modem	29
Connecting a Telephone or Answering Machine	29
Turning On/Off the Printer	31
Turning On the Printer	31
Turning Off the Printer	32
Setting Initial Settings on the Operator Panel	32
Connecting Your Printer to a Computer	38
Overview	38
Connecting to a Wireless Network	39
Connecting to a Wired (Ethernet) Network	44
Connecting to a Computer With USB	45
Installing the Software for Windows® Computers	46
Installing the Software for Macintosh Computers	53

Connecting Your Printer to Mobile Devices	56
Wi-Fi Direct	56
Dell Document Hub	59
AirPrint	59
Google Cloud Print	60
Mopria Print Service	64
Installing Printer Drivers on Linux Computers (CUPS)	65
Operation on Red Hat Enterprise Linux 6 Desktop	65
Operation on SUSE Linux Enterprise Desktop 11	67
Operation on Ubuntu 12.04 LTS	70
Setting the IP Address	73
Assigning an IP Address	73
Verifying the IP Settings	75
3 Using Your Printer	76
Using the Operator Panel	77
About the Home Screen	77
Basic Operations on the Touch Panel	78
Moving, Adding or Deleting Tiles	79
Using the Keyboard Displayed on the Touch Panel	80
Changing the Language	81
Panel Lock	81
Setting the Power Saver Timer	82
About the Concurrent Jobs Feature	82
Understanding the System Menus	83
Report / List	83
Wi-Fi WPS	85
Paired Device	85
Admin Settings	85
Default Settings	114
Tray Management	115
Language Settings	117
Resetting Defaults	117
Understanding the Job Menus	119
Print	119
Copy	120
ID Copy	123
Multiple-Up Copy	123
Scan to Email	124
Scan to Network Folder	124

Scan to USB	124
Scan to Computer	124
Fax	127
Print PDF/TIFF	128
Print JPEG	128
Dell Document Hub	130
SharePoint	133
Add App	134
Dell™ Printer Configuration Web Tool	135
Preparing to Use Dell Printer Configuration Web Tool	135
Starting Dell Printer Configuration Web Tool	136
Page Display Format	136
Changing the Settings of the Menu Items	138
Print Media Guidelines	188
Supported Print Media	188
Supported Paper Weight	191
Unacceptable Print Media	191
Recommended Print Media	191
Print Media Storage Guidelines	193
Loading Print Media	194
Before Loading	194
Loading Print Media in Tray1 and the Optional 550-Sheet Feeder	194
Loading Print Media in the Multipurpose Feeder (MPF)	199
Loading Letterhead, Pre-Printed, and Pre-Punched Paper	204
Linking Trays	204
Loading Documents	205
Before Loading Documents in the DADF	205
Loading a Document in the Duplex Automatic Document Feeder (DADF)	206
Loading a Document on the Document Glass	206
4 Printing, Copying, Scanning, Faxing, and Dell Document Hub	208
Printing	209
Sending a Job to Print	209
Canceling a Print Job	209
Duplex Printing	210
Using Stored Print	212
Printing From USB Flash Drive	215
Printer Settings	216

Copying	218
Making Copies From the Document Glass	218
Making Copies From the DADF	218
Using the ID Copy	219
Changing the Default Copy Settings	219
Scanning	221
Scanning Overview	221
Scanning to a Computer With a USB Connection	222
Scanning to a Computer With a Network Connection	222
Scanning From a Computer Using Web Services on Devices (WSD)	225
Scanning Using the TWAIN Driver	225
Scanning Using the Windows® Image Acquisition (WIA) Driver	226
Scanning Using Wi-Fi Direct	227
Scanning to a Computer or Server With SMB/FTP	228
Scanning to a USB Flash Drive	238
Sending a Scanned Data via E-Mail	239
Managing the Scanner	244
Changing the Default Scan Setting	246
Faxing	247
Initial Settings	247
Changing the Fax Settings	248
Sending a Fax	248
Sending a Delayed Fax	250
Sending a Fax Directly From a Computer	251
Automatic Dialing	255
Phone Book	258
Receiving a Fax	259
Reports Related to Fax	262
Changing the Default Fax Setting	262
Dell Document Hub	263
Registering the User and Signing In to Dell Document Hub	263
Searching for and Printing Files	265
Browsing and Printing Files	266
Scanning	267
Scanning the Document Using Optical Character Recognition (OCR)	269
Sending the Scanned Data to Yourself via E-Mail	270
Sending a Scanned Data of a Business Card to Yourself via E-Mail	271
Printing and Scanning Directly From SharePoint®	272
Registering the SharePoint® Server	272
Signing In to the SharePoint® Server	273

Browsing and Printing Files	273
Scanning	274
5 Know Your Printer	276
Understanding the Software of Your Printer	277
Overview	277
Using the Status Monitor Widget for Macintosh	280
Using the Status Monitor Console for Linux	284
Software Update	290
User Authentication	291
Creating and Editing the User Accounts	291
Logging In to the User Account	293
Multiple Desktop - Tile Customization	295
Adding a New Tile	295
Using the Address Book and Phone Book	297
Types of Address Books	297
Adding and Editing Entries to the Address Books	297
Using Operator Panel of the Printer	298
Using Address Book Editor	298
Using Dell Printer Configuration Web Tool	299
Using the Server Address Book and Server Phone Book	299
Using Digital Certificates	304
Managing Certificates	304
Setting the Features	308
Understanding Printer Messages	313
Status Codes	313
Error Messages	320
Specifications	323
Operating System Compatibility	323
Power Supply	323
Dimensions	324
Weight	324
Memory	324
Page Description Language (PDL)/Emulation, Operating System, and Interface	324
Environment	325
Cables	325
Print Specifications	326
Copy Specifications	326
Scanner Specifications	327

Fax Specifications	327
Wireless Connection Specifications	328
6 Maintaining Your Printer	329
Maintaining Your Printer	330
Checking the Status of Supplies	330
Conserving Supplies	330
Ordering Supplies	331
Storing Print Media	331
Storing Consumables	332
Replacing the Toner Cartridges	332
Replacing the Drum Cartridges	334
Replacing the Waste Toner Box	340
Cleaning Inside the Printer	342
Cleaning the Scanner	347
Cleaning the DADF Feed Rollers	349
Moving the Printer	349
Removing Options	351
7 Troubleshooting	353
Troubleshooting	354
Clearing Jams	354
Basic Printer Problems	366
Display Problems	366
Printing Problems	366
Print Quality Problems	367
Jam/Alignment Problems	381
Noise	385
Copy Problems	386
Fax Problems	386
Scanning Problems	388
Digital Certificate Problems	390
Wireless Problems	391
Problems With Installed Optional 550-sheet feeder	391
Wi-Fi Direct Problems	392
Scanner Driver/Printer Utility Problems	392
Other Problems	392
Contacting Service	393
Appendix	394
Appendix	395
Dell™ Technical Support Policy	395

Warranty and Return Policy	395
Contacting Dell	395
New Zealand PTC200 Warnings	396
USA/Canada Wi-Fi Warnings	397

Before Beginning

About This Guide	14
Finding Information	15
Product Features	16
Printer Overview	19
Graphic Symbols on the Printer and Their Meanings	24

About This Guide

Click the bookmarks to the left for information on the features, optional accessory, and operation of your Dell H625cdw, Dell H825cdw, or Dell S2825cdn. For details about other documentation included with your printer, see "Finding Information."

 **NOTE:**


- In this manual, Dell H625cdw, Dell H825cdw, or Dell S2825cdn is referred to as the "printer."
- In this manual, the procedures for the computer are explained using Microsoft® Windows® 7 unless stated otherwise.
- The images and screenshots used in this manual are those of Dell H825cdw unless otherwise mentioned.

Conventions

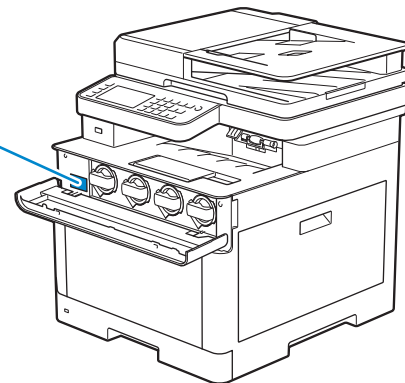
The following describe the meaning of the symbols and fonts used in this manual:

Item	Description
Texts in Bold	<ul style="list-style-type: none">• Names of hardware button on the operator panel.• Menus, commands, windows, or dialog boxes displayed on the computer screen.
Texts in Courier New font	<ul style="list-style-type: none">• Menus and messages displayed on the touch panel.• Screen name on the touch panel.• Characters entered from the computer.• Directory paths.
< >	<ul style="list-style-type: none">• Key on the keyboard of the computer.
→	<ul style="list-style-type: none">• Indicates a process flow.
" "	<ul style="list-style-type: none">• Cross references in this manual.• Characters entered from the operator panel.• Messages displayed on the computer screen.

Finding Information

What are you looking for?	Find it here
Drivers and manuals for my printer	<i>Software and Documentation</i> disc: The <i>Software and Documentation</i> disc contains manuals, drivers, and software for the printer. You can use the <i>Software and Documentation</i> disc to install drivers and software, and refer to manuals. Readme files may be included on your <i>Software and Documentation</i> disc to provide last-minute updates about technical changes to the printer or advanced technical reference material for experienced users or technicians.
How to set up my printer	<i>Setup Guide</i>
How to use my printer	
Safety information	<i>Important Information</i>
Warranty information	 WARNING: <ul style="list-style-type: none">• Read and follow all safety instructions in the <i>Important Information</i> prior to setting up and operating the printer.
Express Service Code and Service Tag	The Express Service Code and Service Tag are located inside the front cover of the printer.

Service Tag
ABCD123
Express Service Code
01234567890



Latest drivers for my printer	Visit www.dell.com/support .
Documentation for my printer	
Answers to technical service and support questions	Visit www.dell.com/support . Select your region, and fill in the requested details to access help tools and information. www.dell.com/support provides several online tools, including: <ul style="list-style-type: none">• Solutions — Troubleshooting hints and tips, articles from technicians, and online courses• Upgrades — Upgrade information for components, such as the print drivers• Customer Care — Contact information, order status, warranty, and repair information• Downloads — Drivers• Manuals— Printer documentation and product specifications

Product Features

This chapter describes the product features and indicates their links.

Dell Document Hub app



Easily access and share documents, images and digital content with the Dell Document Hub app. This innovative cloud collaboration solution connects your printer and devices to popular cloud services, providing a flexible and secure way to collaborate from virtually anywhere. Using your computer or mobile device, you can search file across multiple cloud services simultaneously to print documents or you can scan documents directly to the cloud using the app. Visit Windows Store, Google Play™ store, and App Store to download the apps.

If you use an NFC-enabled Android mobile device, you can also do the following:

- Tap your device on the printer to download the app (only when the app is not installed on your device)
- Tap your device on the printer to launch the app, to start printing, or to start scanning.

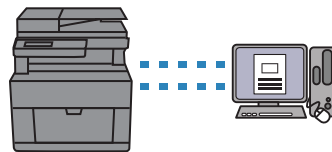
For more information about using Dell Document Hub, see the FAQs in Dell.com/documenthub.

Dell Printer Hub (Dell H625cdw and Dell H825cdw)



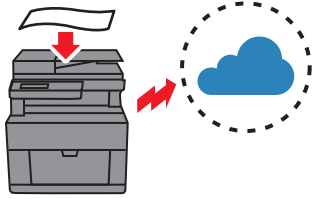
Dell Printer Hub is a program that monitors and informs you of the printer status and allows you to customize the printer settings. The program also notifies you of the firmware/software updates. For convenient use, you can access Dell Document Hub from Dell Printer Hub. Dell Printer Hub is included on your *Software and Documentation* disc and is installed with the manuals, drivers, and software for the printer. For more information, open the program and click ? on the top right of the main window to see the FAQs.

Dell Printer Management Tool (Dell S2825cdn)



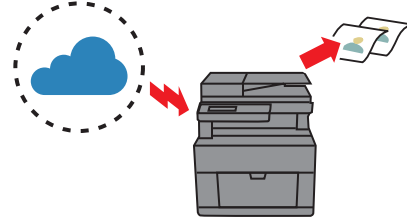
Dell Printer Management Tool is a program that monitors and informs you of the printer status and allows you to customize the printer settings. The program also notifies you of the firmware/software updates. Dell Printer Management Tool is included on your *Software and Documentation* disc and is installed with the manuals, drivers, and software for the printer. For more information, open the program and click on the top right of the main window to see the FAQs.

Converting and storing with Dell Document Hub (Dell H625cdw and Dell H825cdw)



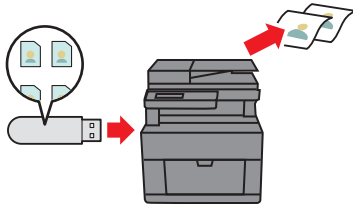
You can scan hard copy documents and store them directly in your preferred cloud storage service with Dell Document Hub. You can also convert hard copy documents into editable digital content before sending them to the cloud storage. See "Scanning the Document Using Optical Character Recognition (OCR)."

Printing with Dell Document Hub (Dell H625cdw and Dell H825cdw)



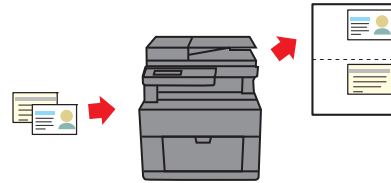
You can easily locate and print documents stored in cloud storage with Dell Document Hub. You can also search for files across multiple clouds storage services simultaneously. See "Searching for and Printing Files."

USB Direct Print



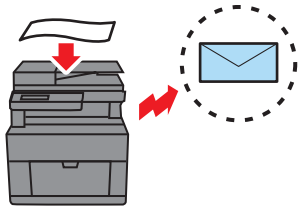
You can print files directly from a USB flash drive without requiring you to start your computer and a program with the USB Direct Print feature. See "Printing From USB Flash Drive."

ID Copy



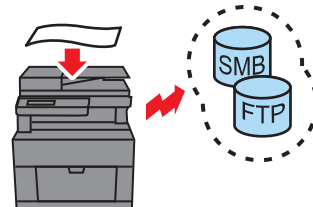
You can copy both sides of an ID card on one side of a single sheet of paper in its original size by a simple operation with the ID Copy feature. See "Using the ID Copy."

Scan to Email



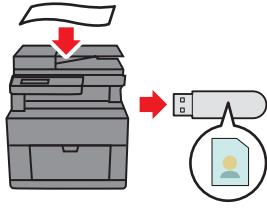
You can send scanned data by e-mail as an attachment with the Scan to Email feature. After scanning, select destination e-mail addresses from the address book on the printer or server or enter the address from the touch panel of the printer. See "Sending a Scanned Data via E-Mail."

Scan to Network Folder



You can transfer scanned data to a PC or a server via Server Message Block (SMB) or FTP without software. Although prior registration of the destination FTP server or PC on the address book is required, it helps save your time. See "Scanning to a Computer or Server With SMB/FTP."

Scan to USB



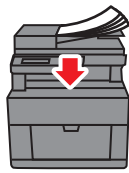
You don't need a PC to save scanned data to a USB flash drive with the *Scan to USB* feature. Specify the USB flash drive inserted into the printer's port as a data saving location when you scan data. See "Scanning to a USB Flash Drive."

Scanning from the document glass



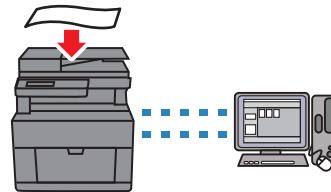
You can scan the pages of a book or a brochure from the document glass. See "Making Copies From the Document Glass."

Scanning from the Duplex Automatic Document Feeder (DADF)



You can scan pieces of unbound paper using the DADF. See "Making Copies From the DADF."

Managing the documents with PaperPort (Dell S2825cdn)

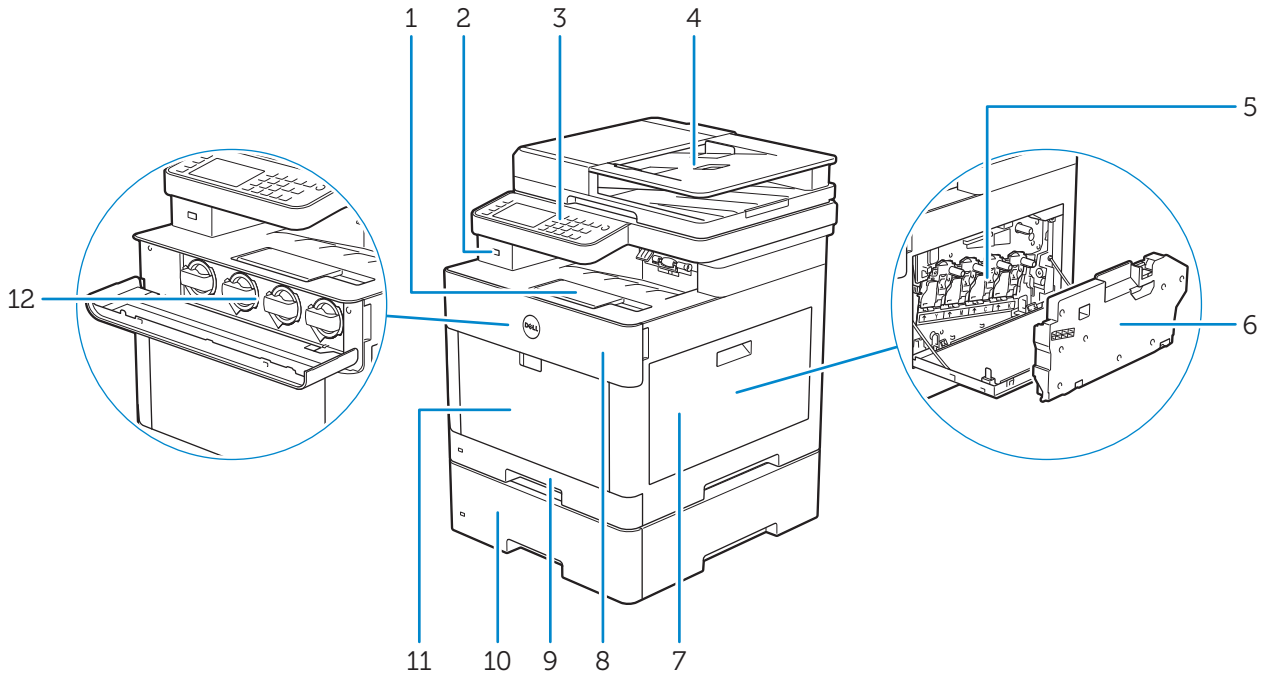


You can organize, search, and share your scanned document using the bundled PaperPort software.

Printer Overview

Front and Rear View

Front View

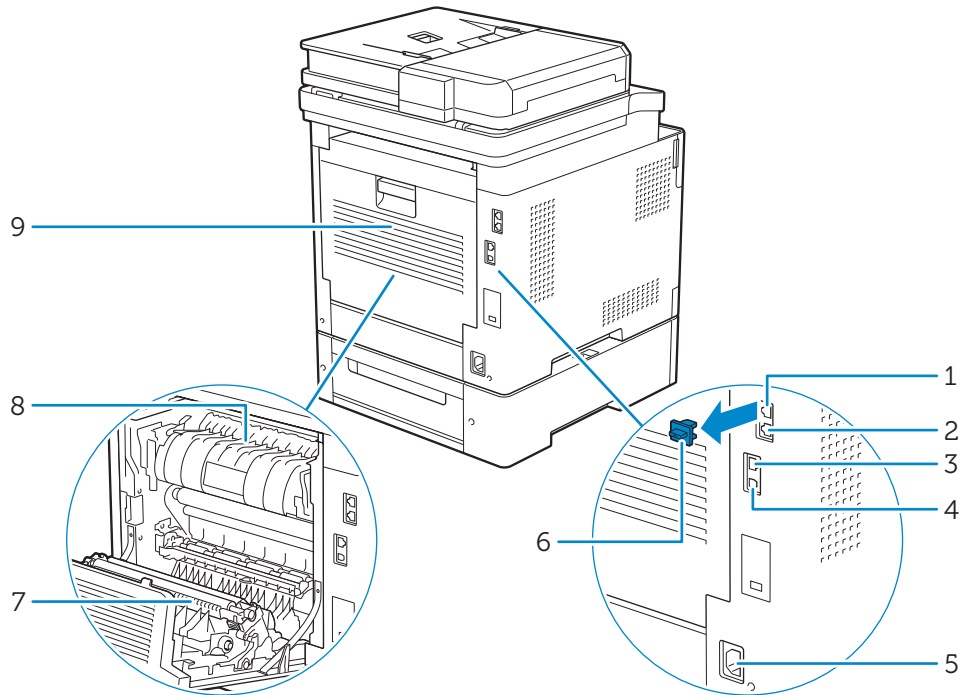


1	Output Tray Extension	7	Right Side Cover
2	Front USB Port	8	Front Cover
3	Operator Panel	9	Tray1
4	Duplex Automatic Document Feeder (DADF)	10	Optional 550-Sheet Feeder (Tray2)
5	Drum Cartridges	11	Multipurpose Feeder (MPF)
6	Waste Toner Box	12	Toner Cartridges

NOTE:

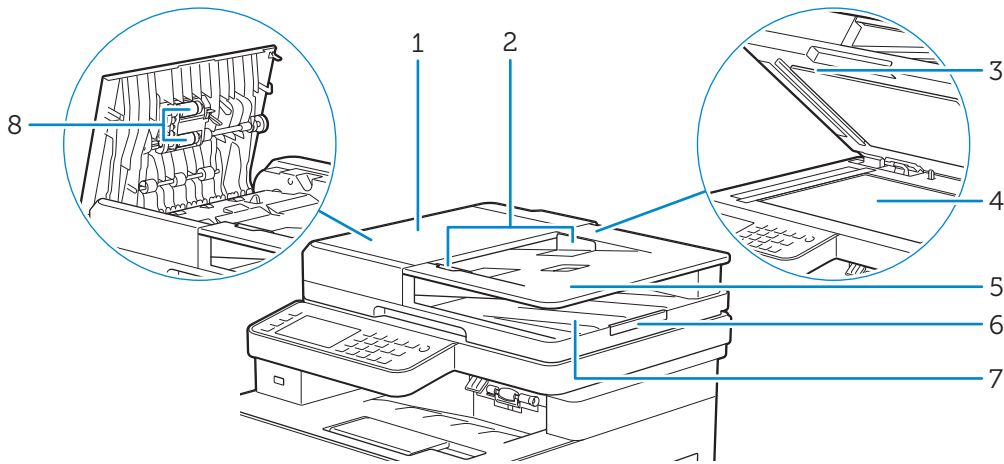
- Do not remove or insert the toner cartridges when the printer is in operation.

Rear View



1	Phone Connector	6	"Blue" Plug
2	Wall Jack Connector	7	Duplex Unit
3	Ethernet Port	8	Fusing Unit
4	USB Port	9	Rear Cover
5	Power Connector		

Duplex Automatic Document Feeder (DADF)



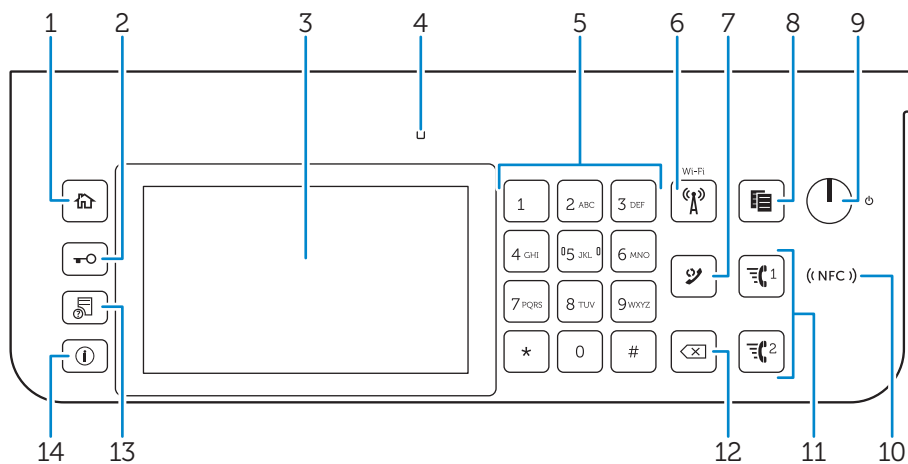
1	DADF Cover	5	Document Feeder Tray
2	Document Guides	6	Document Stopper
3	DADF Chute Cover	7	Document Output Tray
4	Document Glass	8	DADF Feed Rollers

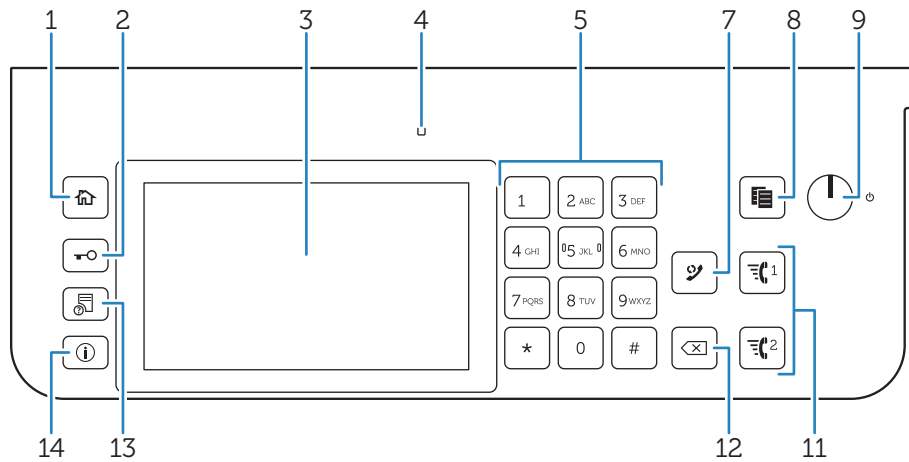
NOTE:

- Pull out the document stopper to prevent the document from falling off the printer.



Operator Panel

Dell H625cdw/Dell H825cdw





1	(Home) button	Moves to the Home screen.
2	(Log In/Out) button	Logs out if pressed while the user is logged in.
3	Touch Panel	Specifies the settings by directly tapping the screen. Displays various settings, instructions, and error messages.
4	Ready/Error LED	Shows a green light when the printer is ready and a blinking green light when data is being received. Shows an amber light when an error occurs and a blinking amber light when an unrecoverable print error occurs.
5	Number Pad	Enters numbers and characters.
6	(Wi-Fi) button*	Shows a white light when the Wi-Fi® is activated and blinks in certain conditions. See "Status of Wi-Fi Button LED."
7	(Redial/Pause) button	Re-dials a telephone number. Inserts a pause into a telephone number. When the (Redial/Pause) button is pressed, "-" appears on the touch panel.
8	(Copy) button	Starts copying the document. Effective only from the Home screen while you are logged in to the printer.
9	(Power) button	Turns on/off the printer or switches the printer between two modes: standby and power saver. <ul style="list-style-type: none"> Pressing and releasing the button turns on the printer. To turn off the printer, press and hold the button until the Power Management screen appears on the touch panel, and then tap Power Off. Each press of the button switches the standby and power saver modes alternately. When the printer enters the power saver mode, the button blinks slowly. <p>CAUTION:</p> <ul style="list-style-type: none"> Pressing and holding the button for six or more seconds can turn off the printer immediately. However, note that this may result in the loss of data in memory.
10	(NFC) (NFC) reader*	Starts communication between the printer and an NFC card or a mobile device with the NFC function when the card or the device is tapped to or waved over the reader. <p>NOTE:</p> <ul style="list-style-type: none"> NFC detection may vary with device type.
11	(Speed Dial 1/Speed Dial 2) button	Dials the number registered as "001" or "002" respectively of the FAX Speed Dial. Effective only when the Home screen is displayed.
12	(Delete) button	Deletes numbers and characters.





13	 (Job Status) button	Moves to the Job Status screen. From this screen, you can check or cancel active jobs.
14	 (Information) button	Moves to the Information screen. You can access various information and settings menu, check consumable levels and network status, and print various types of reports and lists.

* This is available on Dell H625cdw and Dell H825cdw.

 **NOTE:**

- Moving to a different menu or returning to a previous screen cancels the current entry or setting. Make sure to select OK to save the current entry or setting.

Status of Wi-Fi Button LED

(Wi-Fi) LED	Printer Status
 Off	Wi-Fi has been turned off. Connecting to the network via Ethernet cable Entering the power saver mode
 On	Wireless link established
 Blinking	Searching/Connecting with wireless LAN access point or router
 Blinking slowly	Wi-Fi is turned on but not connected to an access point or router.

Optional Accessory

The optional 550-sheet feeder is available for the printer.

To install the optional 550-sheet feeder, refer to the installation instruction that comes with the optional 550-sheet feeder.

Graphic Symbols on the Printer and Their Meanings



Do not use stapled or clip on paper.



Do not use folded, creased, or curled paper.



Do not use ink-jet printing paper.



Do not use OHP sheets.



Do not use paper printed or used on one side.



Caution



Do not throw a toner cartridge into an open flame.



Do not throw a drum cartridge into an open flame.



Do not expose to light.



Do not touch.



Caution (Hot surface)



Do not disassemble the product.



Do not throw a waste toner box into an open flame.



Locking



Unlocking

Setting Up the Printer

Overview of the Printer Setup	26
Preparing to Set Up the Printer	27
Connecting Your Printer to a Telephone Line	28
Turning On/Off the Printer	31
Connecting Your Printer to a Computer	38
Connecting Your Printer to Mobile Devices	56
Installing Printer Drivers on Linux Computers (CUPS)	65
Setting the IP Address	73

Overview of the Printer Setup

The following are the procedures necessary to set up the printer.

Hardware preparations/Initial settings

- ↓ "Preparing to Set Up the Printer"
- "Turning On/Off the Printer"
- "Setting Initial Settings on the Operator Panel"

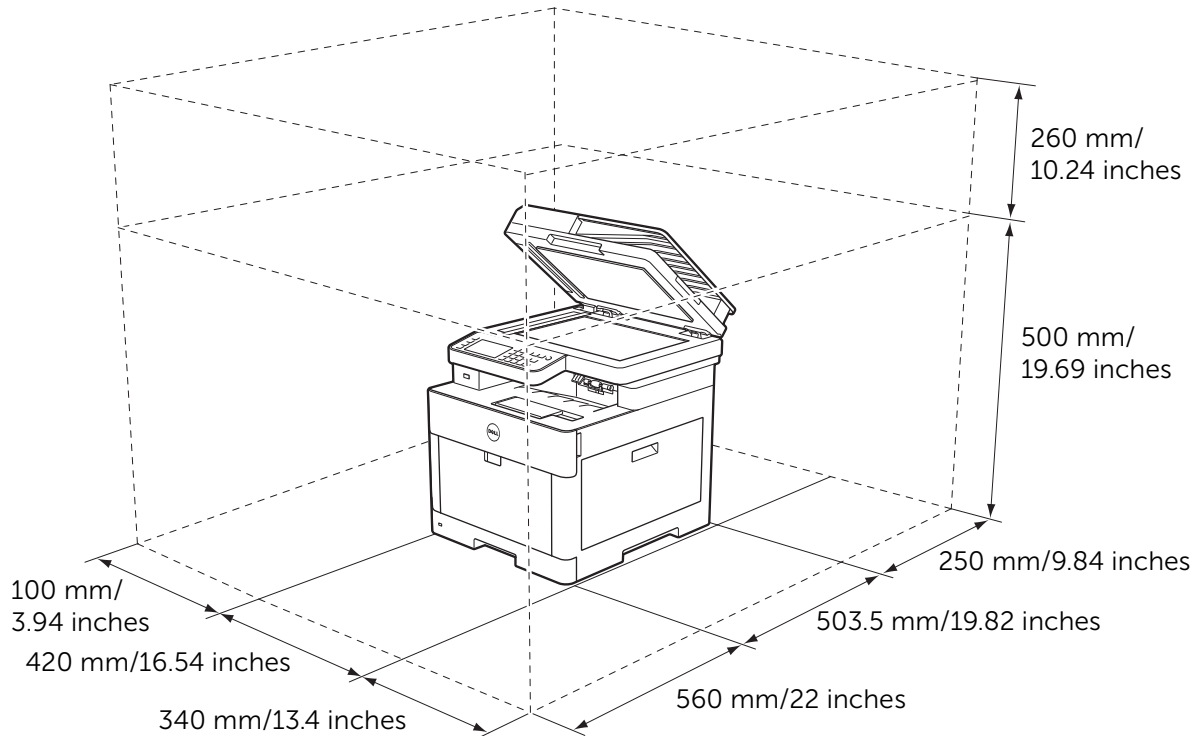
Connections/Printer setup

- "Connecting Your Printer to a Telephone Line"
- "Connecting Your Printer to a Computer"
- "Connecting Your Printer to Mobile Devices"

Preparing to Set Up the Printer

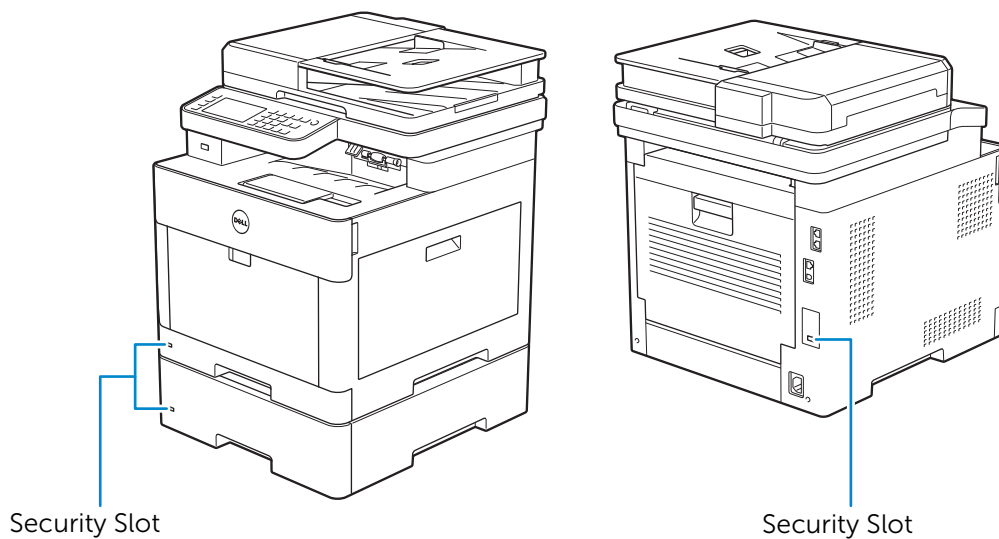
Space Requirements

Provide enough room to open the printer trays, covers, and optional accessory, and for proper ventilation.



Securing the Printer

To protect the printer from theft, you can use a Kensington lock. Attach the Kensington lock to the security slot of the printer.



Refer to the operating instructions supplied with the Kensington lock.

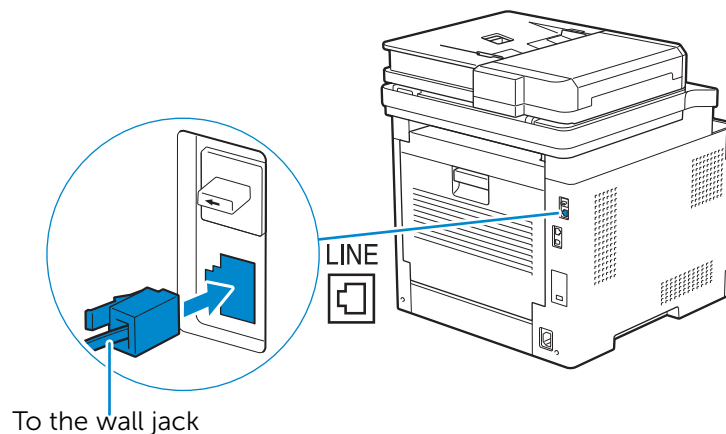
Connecting Your Printer to a Telephone Line

⚠ CAUTION:

- Do not connect the printer directly to a Digital Subscriber Line (DSL). This may damage the printer. To use a DSL, you are required to use an appropriate DSL filter. Contact your service provider for the DSL filter.
- To reduce the risk of shock or fire, use only a No. 26 AWG or larger telephone cable.

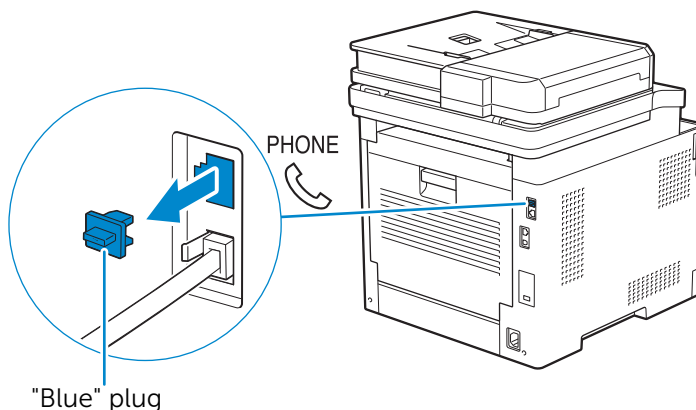
Connecting the Printer to the Wall Jack

To connect the printer to a telephone line, connect a telephone cable into the wall jack connector on the rear of the printer. Connect the other end of the cord into an active wall jack.

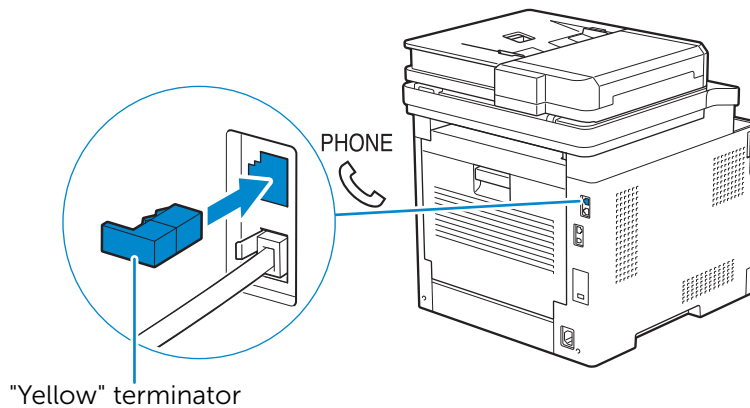


If the phone communication is serial in your country (such as Germany, Sweden, Denmark, Austria, Belgium, Italy, France, and Switzerland), and a "Yellow" terminator is supplied, perform the following procedure:

- 1 Remove the "Blue" plug from the phone connector.



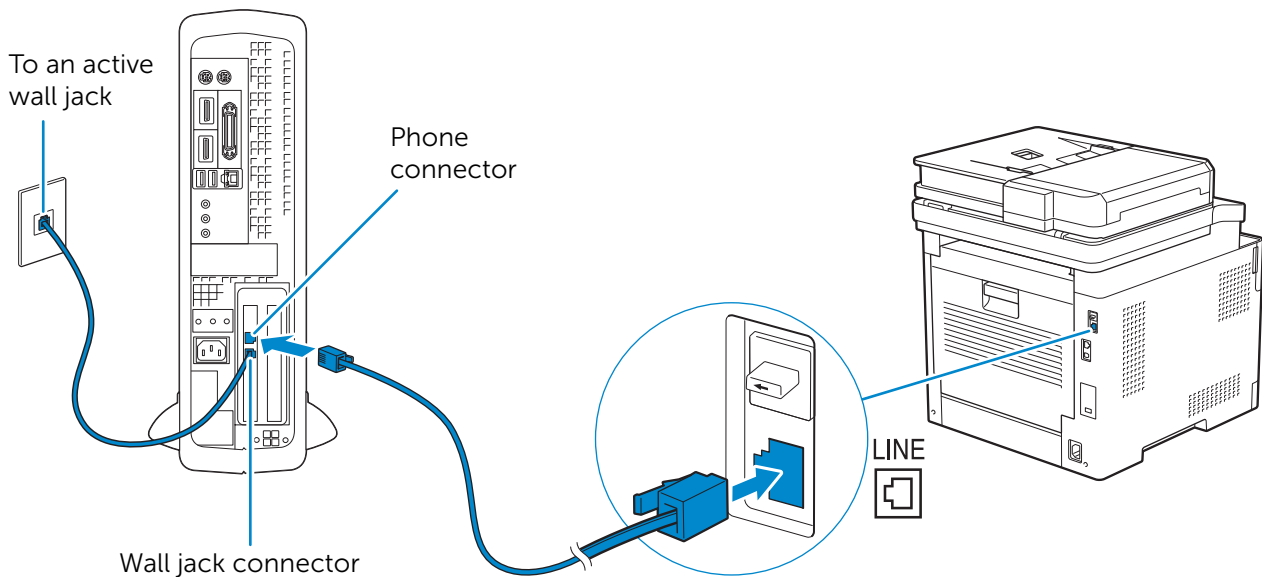
2 Insert the "Yellow" terminator into the phone connector.



Connecting the Printer to a Modem

You can connect the printer to a computer with a modem on the same telephone line as the printer.

Make sure that the modem is connected to an active wall jack connector, and then connect a telephone cable into the phone connector on the modem. Connect the other end of the cord into the wall jack connector on the rear of the printer.



NOTE:

- When using the fax function of the printer, turn off the fax-receive feature of the computer modem.
- Do not use the computer modem if the printer is sending or receiving a fax.
- To fax via the computer modem, follow the instructions provided with your computer modem and fax program.

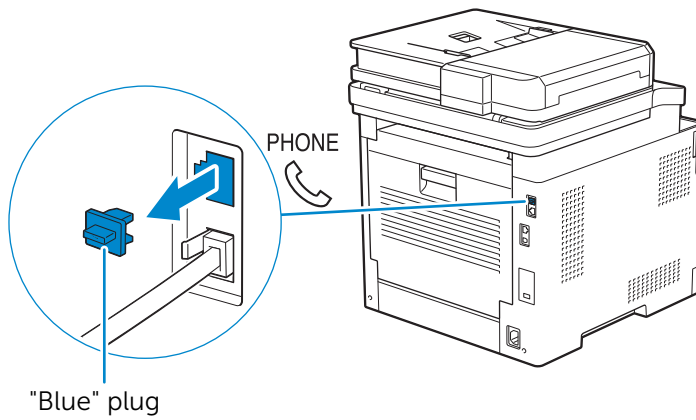
Connecting a Telephone or Answering Machine

If you share a telephone line with voice calls and fax, you can connect a telephone or an answering machine to the printer to take the voice calls.

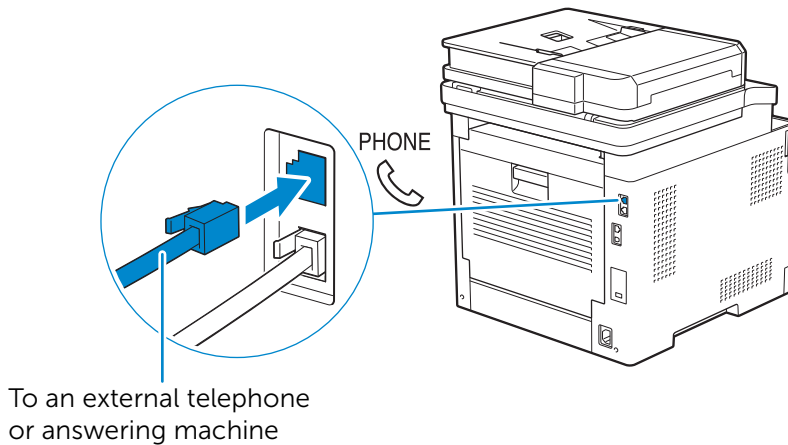
1 Make sure that a telephone line is connected to the printer.

See "Connecting the Printer to the Wall Jack."

- 2 Remove the "Blue" plug from the phone connector.



- 3 Connect a telephone or answering machine line cord into the phone connector on the rear of the printer. Connect the other end of the cord into an external telephone or answering machine.



Turning On/Off the Printer

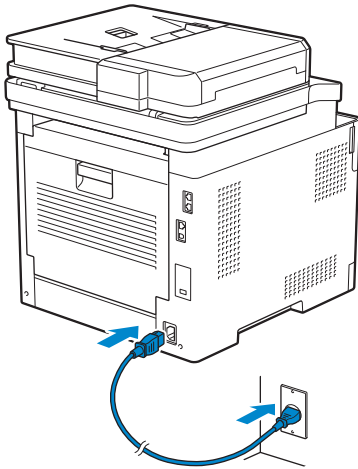
NOTE:


- The images used in this chapter are those of Dell H625cdw and Dell H825cdw unless otherwise mentioned.

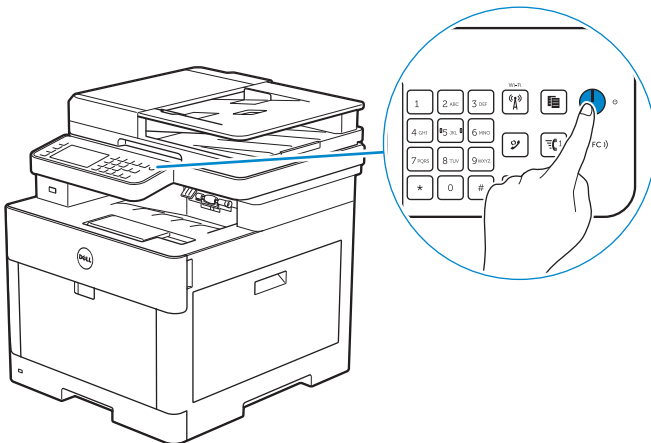
Turning On the Printer

WARNING:

- Do not use extension cords or power strips.
 - The printer should not be connected to an uninterruptible power supply (UPS) system.
- 1 Connect the power cord to the power connector on the rear of the printer, and then to an electrical outlet.




- 2 Press the  (**Power**) button on the operator panel.



Turning Off the Printer

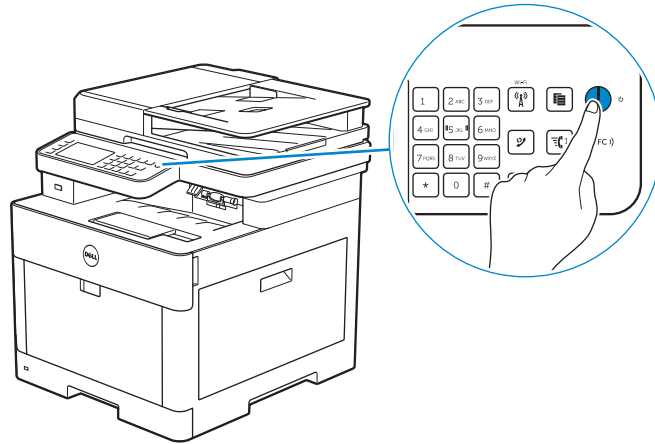
NOTE:

- The data in the memory is cleared when the printer is turned off.

Press and hold the  (**Power**) button until the `Power Management` screen appears on the touch panel, and then tap `Power Off`.

CAUTION:

- **Pressing and holding the button for six or more seconds can turn off the printer immediately. However, note that this may result in the loss of data in memory.**







Setting Initial Settings on the Operator Panel

You need to set the printer language, country, clock date, time, and fax settings when the printer is turned on for the first time.

When you turn the printer on, the wizard screen to perform the initial setup appears on the touch panel. Perform the following procedure to set the initial settings.

NOTE:

- If you do not start configuring the initial settings, the printer restarts in 3 minutes, and the `Home` screen appears on the touch panel. After that, you can set the following initial setup by enabling the `Power On Wizard` on the touch panel from:
The  (**Information**) button → `Tools` tab → `Admin Settings` → `System Settings` → `General` → `Power On Wizard`.
You can also set the same setting using `Dell Printer Configuration Web Tool`.
See "Dell™ Printer Configuration Web Tool."

- 1 Turn on the printer.
- 2 Tap  until desired language appears, and then tap the desired language.
- 3 Tap `Next` → `Time Zone`.
- 4 Tap  until the desired geographic region appears, and then tap the desired geographic region.
- 5 Tap  until the desired time zone appears, and then tap the desired time zone.

Geographic Region	Time Zone
Africa	(UTC) Accra, Bamako, Dakar, Nouakchott
	(UTC) Casablanca
	(UTC +01:00) Algiers, Douala, Libreville, Luanda
	(UTC +01:00) Tunis
	(UTC +01:00) Windhoek
	(UTC +02:00) Cairo
	(UTC +02:00) Harare, Johannesburg, Kinshasa, Tripoli
	(UTC +03:00) Addis Ababa, Khartoum, Mogadishu, Nairobi
Americas	(UTC -10:00) Adak
	(UTC -09:00) Alaska
	(UTC -08:00) Pacific Time (US & Canada)
	(UTC -08:00) Tijuana
	(UTC -07:00) Arizona, Dawson Creek, Sonora
	(UTC -07:00) Chihuahua, Mazatlan
	(UTC -07:00) Mountain Time (US & Canada)
	(UTC -06:00) Cancun, Mexico City, Monterrey
	(UTC -06:00) Central America
	(UTC -06:00) Central Time (US & Canada)
	(UTC -06:00) Saskatchewan
	(UTC -05:00) Atikokan, Resolute
	(UTC -05:00) Bogota, Lima, Panama, Quito
	(UTC -05:00) Cayman Islands, Jamaica, Port-au-Prince
	(UTC -05:00) Eastern Time (US & Canada)
	(UTC -05:00) Grand Turk
	(UTC -05:00) Havana
	(UTC -04:30) Caracas
	(UTC -04:00) Asuncion
	(UTC -04:00) Atlantic Time (Canada)
	(UTC -04:00) Blanc-Sablon
	(UTC -04:00) Caribbean Islands
	(UTC -04:00) Cuiaba
	(UTC -04:00) Georgetown, La Paz, Manaus
	(UTC -04:00) Thule
	(UTC -03:30) St. John's
	(UTC -03:00) Brasilia, Cayenne, Paramaribo
(UTC -03:00) Buenos Aires	
(UTC -03:00) Greenland	
(UTC -03:00) Miquelon	
(UTC -03:00) Montevideo	
(UTC -02:00) Noronha	

Geographic Region	Time Zone
Antarctica	(UTC -04:00) Palmer Archipelago, Santiago
	(UTC -03:00) Rothera
	(UTC +03:00) Syowa
	(UTC +06:00) Mawson, Vostok
	(UTC +07:00) Davis
	(UTC +08:00) Casey
	(UTC +10:00) Dumont d'Urville
	(UTC +12:00) McMurdo
Asia	(UTC +02:00) Amman
	(UTC +02:00) Beirut
	(UTC +02:00) Damascus
	(UTC +02:00) Jerusalem
	(UTC +02:00) Nicosia
	(UTC +02:00) Palestine
	(UTC +03:00) Aden, Baghdad, Qatar, Riyadh
	(UTC +03:30) Tehran
	(UTC +04:00) Baku
	(UTC +04:00) Dubai, Muscat, Tbilisi
	(UTC +04:00) Yerevan
	(UTC +04:30) Kabul
	(UTC +05:00) Aqtau, Aqtobe, Ashgabat, Samarkand
	(UTC +05:00) Ekaterinburg
	(UTC +05:00) Karachi
	(UTC +05:30) Colombo, Kolkata
	(UTC +05:45) Kathmandu
	(UTC +06:00) Almaty, Bishkek, Dhaka, Thimphu
	(UTC +06:00) Novosibirsk, Omsk
	(UTC +06:30) Yangon (Rangoon)
	(UTC +07:00) Bangkok, Ho Chi Minh, Hovd, Jakarta
	(UTC +07:00) Krasnoyarsk
	(UTC +08:00) Chongqing, Hong Kong, Shanghai
	(UTC +08:00) Irkutsk
	(UTC +08:00) Kuala Lumpur, Makassar, Manila, Singapore
	(UTC +08:00) Taipei
	(UTC +08:00) Ulaan Baatar
	(UTC +09:00) Dili, Jayapura
	(UTC +09:00) Pyongyang
	(UTC +09:00) Seoul
(UTC +09:00) Tokyo	
(UTC +09:00) Yakutsk	
(UTC +10:00) Sakhalin, Vladivostok	
(UTC +11:00) Magadan	
(UTC +12:00) Anadyr, Kamchatka	

Geographic Region	Time Zone
Atlantic Ocean	(UTC -04:00) Bermuda
	(UTC -04:00) Stanley
	(UTC -02:00) South Georgia Island
	(UTC -01:00) Azores, Scoresbysund
	(UTC -01:00) Cape Verde
	(UTC) Reykjavik
Australia	(UTC +08:00) Perth
	(UTC +08:45) Eucla
	(UTC +09:30) Adelaide
	(UTC +09:30) Darwin
	(UTC +10:00) Brisbane, Lindeman
	(UTC +10:00) Hobart, Melbourne, Sydney
	(UTC +10:30) Lord Howe Island
Europe	(UTC) Dublin, Edinburgh, Lisbon, London
	(UTC +01:00) Amsterdam, Berlin, Rome, Stockholm, Vienna
	(UTC +01:00) Belgrade, Bratislava, Budapest, Prague
	(UTC +01:00) Brussels, Copenhagen, Madrid, Paris
	(UTC +01:00) Sarajevo, Skopje, Warsaw, Zagreb
	(UTC +02:00) Athens, Bucharest, Istanbul
	(UTC +02:00) Helsinki, Kiev, Riga, Sofia
	(UTC +02:00) Kaliningrad, Minsk
	(UTC +03:00) Moscow
	(UTC +04:00) Samara
Indian Ocean	(UTC +03:00) Antananarivo, Comoro Islands, Mayotte
	(UTC +04:00) Mahe, Reunion
	(UTC +04:00) Mauritius
	(UTC +05:00) Kerguelen, Maldives
	(UTC +06:00) Chagos
	(UTC +06:30) Cocos Islands
	(UTC +07:00) Christmas Island

Geographic Region	Time Zone
Pacific Ocean	(UTC -11:00) Midway Island, Niue, Samoa
	(UTC -10:00) Cook Islands, Hawaii, Tahiti
	(UTC -09:30) Marquesas Islands
	(UTC -09:00) Gambier Islands
	(UTC -08:00) Pitcairn Islands
	(UTC -06:00) Easter Island
	(UTC -06:00) Galapagos Islands
	(UTC +09:00) Palau
	(UTC +10:00) Guam, Port Moresby, Saipan
	(UTC +11:00) Efate, Guadalcanal, Kosrae
	(UTC +11:30) Norfolk Island
	(UTC +12:00) Auckland
	(UTC +12:00) Fiji, Marshall Islands
	(UTC +12:45) Chatham
	(UTC +13:00) Tongatapu
(UTC +14:00) Kiritimati	

- 6 Tap OK → Date.
- 7 Select a date format from the menu displayed by selecting **Format**.
- 8 After tapping the box under **Year**, tap – or +, or use the number pad to enter the desired value.
Repeat this step to enter the desired value for **Month** and **Day**.
- 9 Tap OK → Time.
- 10 Select the time format from 12 **Hour** or 24 **Hour**. If you select 12 **Hour**, select **AM** or **PM**.
- 11 After tapping the box under **Hour**, use the number pad to enter the desired value.
Repeat this step to enter the desired value for **Minute**.
- 12 Tap OK → Next.
- 13 Perform either of the following:
To set fax settings, select **Yes**, **Setup Fax** and perform the following procedure:
 - a Enter the fax number of the printer using the number pad.
 - b Tap **Country**.
 - c Tap ▼ until the desired country appears, and then tap the desired country.
The default paper size is automatically set when you select a country.

Australia	A4
Austria	A4
Belgium	A4
Canada	Letter
Colombia	Letter
Denmark	A4
France	A4

Germany	A4
Ireland	A4
Italy	A4
Luxembourg	A4
Malaysia	A4
Mexico	Letter
Netherlands	A4
New Zealand	A4
Norway	A4
Singapore	A4
South Africa	A4
Spain	A4
Sweden	A4
Switzerland	A4
Thailand	A4
United Kingdom	A4
United States	Letter
Unknown	Letter

d Tap **Next**.

To end the settings, select **No, I'll Do It Later**.

- 14** When the message **Congratulations, setup is complete.** appears, tap **OK**.
The printer restarts.

Connecting Your Printer to a Computer

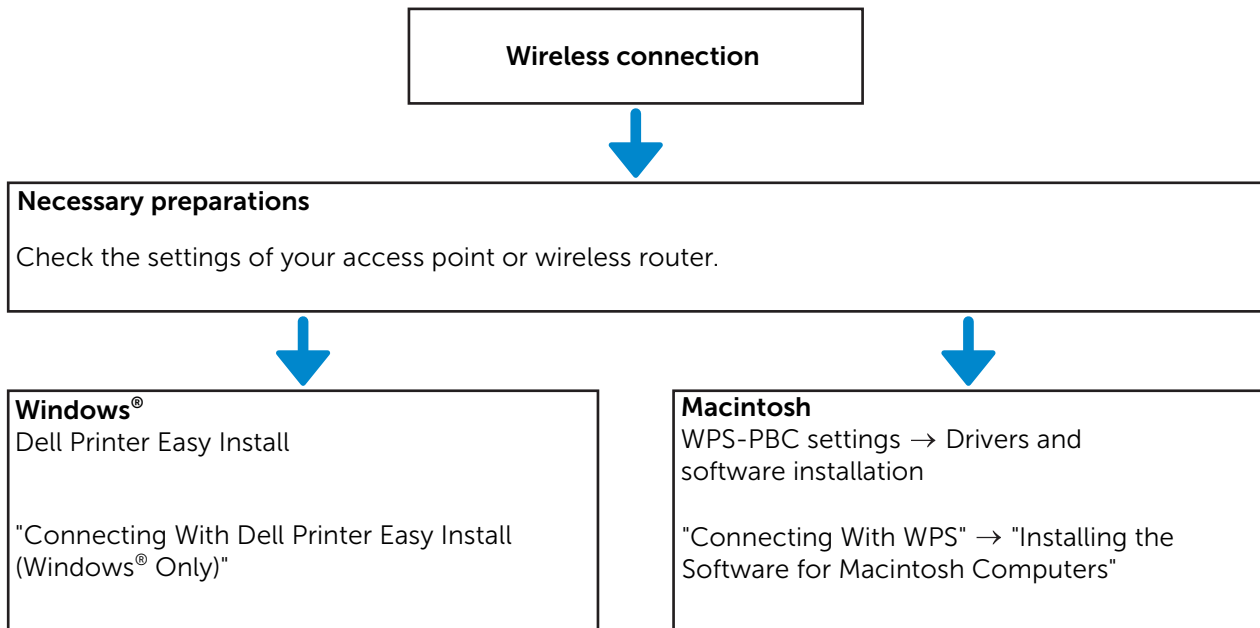
You can connect the printer directly to your computer with USB, or connect the printer to a wireless or wired network.

 **NOTE:**

- Wireless network is available on Dell H625cdw and Dell H825cdw.

Overview

The following are the simple procedures recommended to connect the printer.



For wireless connection procedures other than the above, see "Connecting to a Wireless Network."

Wired connection (Ethernet or USB)



Necessary preparations

Connect an Ethernet cable or a USB cable into the port on the rear of the printer.

"Connecting to a Wired (Ethernet) Network"

"Connecting to a Computer With USB"



Windows®

Dell Printer Easy Install

"Connecting With Dell Printer Easy Install
(Windows® Only)"



Macintosh

Drivers and software installation

"Installing the Software for Macintosh
Computers"

Connecting to a Wireless Network

Connecting With Dell Printer Easy Install (Windows® Only)

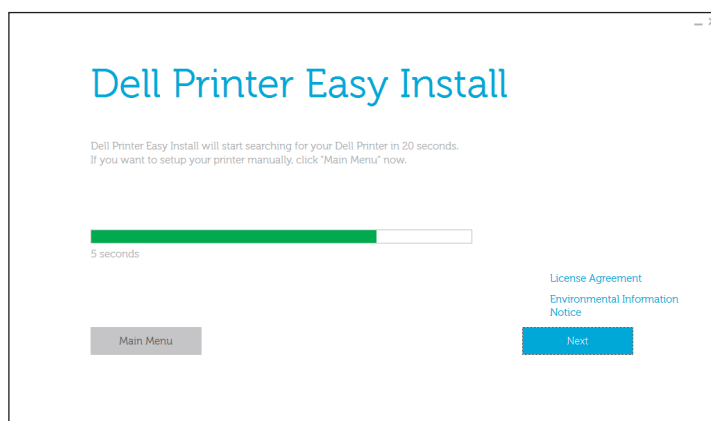
- 1 Insert the *Software and Documentation* disc in your computer.

Alternatively, go to www.dell.com/support, enter the Service Tag of your printer, download the latest software and driver, and then open the file that you downloaded.

NOTE:

- Make sure that there is no cable connected between the printer and your computer.

- 2 On the Dell Printer Easy Install window, click **Next**. Dell Printer Easy Install begins to search for your printer.



- 3 Wait for Dell Printer Easy Install wizard to find your printer.

- 4 After the printer is found, click **Install**. Follow the on-screen instructions to complete the setup.

Connecting With WPS

WPS-PBC and WPS-PIN are simple methods to setup wireless connection.


For WPS-PBC, press the button provided on your access point or wireless router, and then perform WPS-PBC setting on the operator panel. This setting is available only when the access point supports WPS.

For WPS-PIN, enter PIN assignments to your printer and computer. This setting, performed on an access point, is available only when the access points of your wireless router support WPS.

NOTE:


- This is available on Dell H625cdw and Dell H825cdw.
- Make sure to connect the printer to a wireless network and disconnect the Ethernet cable.
- Before starting WPS-PBC, check where the WPS button (button name may vary) is located on the wireless LAN access point. For details about WPS operation on the wireless LAN access point, refer to the manual supplied with the wireless LAN access point.
- For WPS operation on the wireless LAN access point, refer to the manual supplied with the wireless LAN access point.

WPS-PBC (Using the Wi-Fi Protected Setup™ (WPS) Button)

- 1 Press and hold the  (**Wi-Fi**) button for more than 2 seconds.

If `Panel Lock Control` is set to `Enable`, enter the password. See "Panel Lock."

NOTE:

- If you press the  (**Wi-Fi**) button for less than 2 seconds, the `Wi-Fi | WPS` screen appears.
- Make sure that the message `Push WPS Button on router.` is displayed, and then start the WPS-PBC on the wireless LAN access point (Registrar) within 2 minutes.

- 2 Turn off the printer, and then turn it on again.

Wireless LAN connection setting is complete.

After the setting is complete, install the software. See "Installing the Software for Windows® Computers" or "Installing the Software for Macintosh Computers."


WPS-PBC (Using the Touch Panel)


When using the  (**Wi-Fi**) button:

- 1 Press the  (**Wi-Fi**) button.

If `Panel Lock Control` is set to `Enable`, enter the password. See "Panel Lock."

- 2 Tap `WPS (Connect via PBC)`.
- 3 Turn off the printer, and then turn it on again.

When using the  (**Information**) button:

- 1 Press the  (**Information**) button.
- 2 Tap the `Tools` tab → `Admin Settings` → `Network` → `Wi-Fi` → `WPS Setup` → `Push Button Configuration` → `Start Configuration`.
- 3 Turn off the printer, and then turn it on again.

Wireless LAN connection setting is complete.

After the setting is complete, install the software. See "Installing the Software for Windows® Computers" or "Installing the Software for Macintosh Computers."

WPS-PIN

- 1 Press the  (**Wi-Fi**) button.

If Panel Lock Control is set to Enable, enter the password. See "Panel Lock."

- 2 Tap WPS (Connect via PIN).

- 3 Turn off the printer, and then turn it on again.

Wireless LAN connection setting is complete.

After the setting is complete, install the software. See "Installing the Software for Windows® Computers" or "Installing the Software for Macintosh Computers."

NOTE:

- Write down the eight-digit PIN code displayed on the touch panel. To print the PIN code, tap Print PIN Code.
- Make sure that the message Operate Wireless Router. is displayed, and then enter the PIN code into the wireless LAN access point (Registrar).

Manually Connecting to a Wireless Network

Connect to the wireless network using the SSID of your access point or wireless router. For details about the SSID of your access point or wireless router, contact your network administrator.

Auto SSID Setup

- 1 Press the  (**Information**) button.

- 2 Tap the Tools tab → Admin Settings → Network → Wi-Fi.

If Panel Lock Control is set to Enable, enter the password. See "Panel Lock."

- 3 Tap Wi-Fi Setup Wizard.

The printer searches for access points on the wireless network.

- 4 Tap  until the desired access point appears, and then select the access point.

If the desired access point does not appear, proceed to "Manual SSID Setup."

NOTE:

- Some SSIDs are hidden and may not be displayed. If the SSID is not detected, turn on SSID broadcast from the router.

- 5 Tap Next.

- 6 Enter the WEP key or passphrase.

If the encryption type of the selected access point is WEP in step 4:

a Tap the WEP Key text box, and then enter the WEP key.

b Tap OK.

If the encryption type of the selected access point is WPA™, WPA2™, or Mixed in step 4:

a Tap the Passphrase text box, and then enter the passphrase.

b Tap OK.

 **NOTE:**

- A passphrase is an encryption key and may be described on access points or routers. For details, refer to the manual supplied with the access point or router.

7 Turn off the printer, and then turn it on again.

Wireless LAN connection setting is complete.

After the setting is complete, install the software. See "Installing the Software for Windows® Computers" or "Installing the Software for Macintosh Computers."

Manual SSID Setup

1 Press the  (**Information**) button.

2 Tap the Tools tab → Admin Settings → Network → Wi-Fi → Wi-Fi Setup Wizard.

If Panel Lock Control is set to Enable, enter the password. See "Panel Lock."

3 Select the Manual SSID Setup check box, and then tap Next.

4 Enter the SSID, and then tap Next.

5 Select the network mode from Infrastructure and Ad-hoc according to your environment, and then tap Next.

If you select Infrastructure, proceed to step 6.

If you select Ad-hoc, proceed to step 7.

 **NOTE:**

- When **Wi-Fi Direct** is set to **Enable**, you cannot select Ad-hoc.


6 Select the encryption type from No Security, Mixed mode PSK, WPA2-PSK-AES, or WEP.

If you do not set security for your wireless network:

a Tap  until No Security appears, and then tap No Security.

b Tap OK.

If you use Mixed mode PSK or WPA2-PSK-AES encryption:

a Tap  until Mixed mode PSK or WPA2-PSK-AES appears, and then tap the desired encryption type.

b Tap the Passphrase text box, and then enter the passphrase.

c Tap OK.

If you use WEP encryption:

a Tap  until WEP appears, and then tap WEP.

b Tap the WEP Key text box, and then enter the WEP key.

c Tap Transmit Key, and then select the desired transmit key from Auto or WEP Key 1 to WEP Key 4.

d Tap OK.

Proceed to step 8.

 **NOTE:**

- A passphrase is an encryption key and may be described on access points or routers. For details, refer to the manual supplied with the access point or router.

7 Select the encryption type from `No Security` or `WEP`.

If you do not set security for your wireless network:

a Tap  until `No Security` appears, and then tap `No Security`.

b Tap `OK`.

To use `WEP` encryption:

a Tap  until `WEP` appears, and then tap `WEP`.

b Tap the `WEP Key` text box, and then enter the `WEP` key.

c Tap `Transmit Key`, and then select the desired transmit key from `WEP Key 1` to `WEP Key 4`.

d Tap `OK`.

8 Turn off the printer, and then turn it on again.

Wireless LAN connection setting is complete.

After the setting is complete, install the software. See "Installing the Software for Windows® Computers" or "Installing the Software for Macintosh Computers."

Changing the Wireless Settings

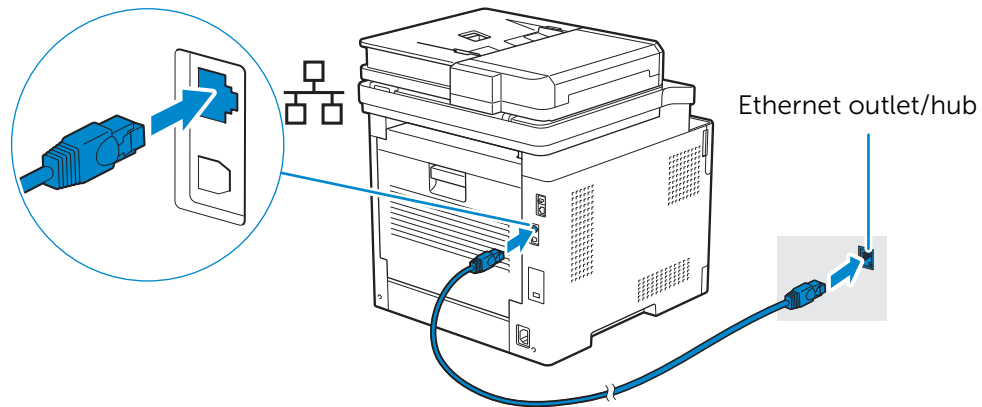
To change the wireless settings of the printer from your computer, start Dell Printer Configuration Web Tool. See "Dell™ Printer Configuration Web Tool."

You can also set the same settings using the *Software and Documentation* disc.

Connecting to a Wired (Ethernet) Network

Connecting the Ethernet Cable

To connect the printer to an Ethernet network, connect an Ethernet cable into the Ethernet port on the rear of the printer, and then connect the other end of the cable into an Ethernet outlet or a hub.



NOTE:

- To connect to a wireless network, make sure to disconnect the Ethernet cable. The printer will be connected to the same wireless network that the computer used is currently connected.

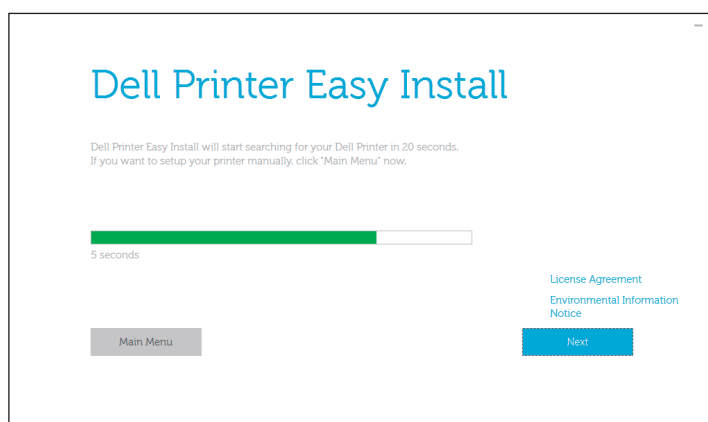
Connecting With Dell Printer Easy Install (Windows® Only)

- 1 Insert the *Software and Documentation* disc in your computer.

Alternatively, go to www.dell.com/support, enter the Service Tag of your printer, download the latest software and driver, and then open the file that you downloaded.

NOTE:

- Make sure that the printer is connected to your computer using an Ethernet cable.
- 2 On the Dell Printer Easy Install window, click **Next**. Dell Printer Easy Install begins to search for your printer.



- 3 Wait for Dell Printer Easy Install wizard to find your printer.

- 4 After the printer is found, select the printer, and then click **Next**. Follow the on-screen instructions to complete the setup.

Configuring With Other Methods

For details, see "Installing the Software for Windows® Computers" or "Installing the Software for Macintosh Computers."

Connecting to a Computer With USB

Connecting the USB Cable

To connect the printer directly to the computer, connect the smaller USB connector into the USB port on the rear of the printer, and then connect the other end of the cable into a USB port of the computer.

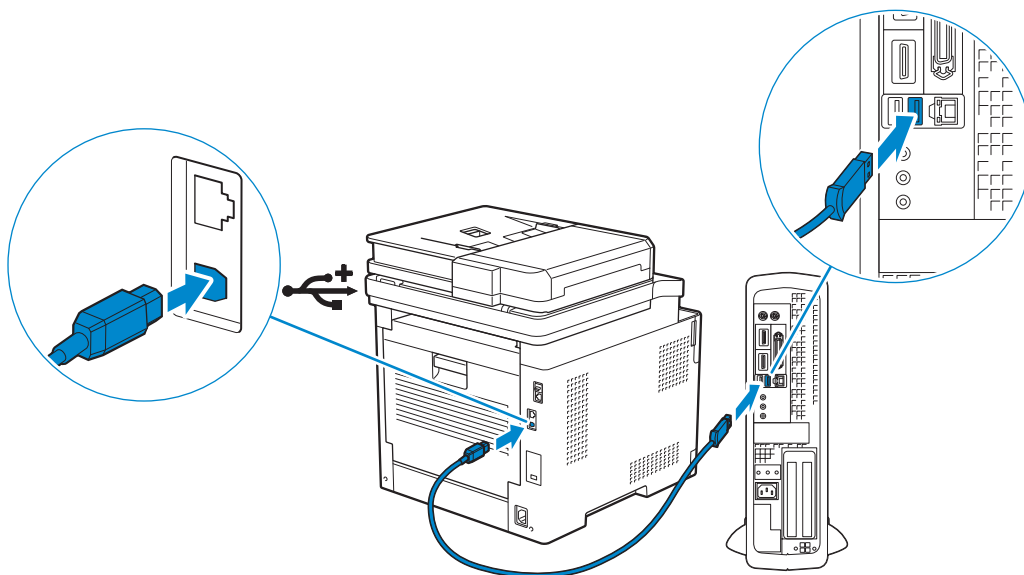
⚠ CAUTION:

- Do not connect the printer to a USB hub.



NOTE:

- Make sure to match the USB symbol on the cable plug with the USB symbol on the printer.



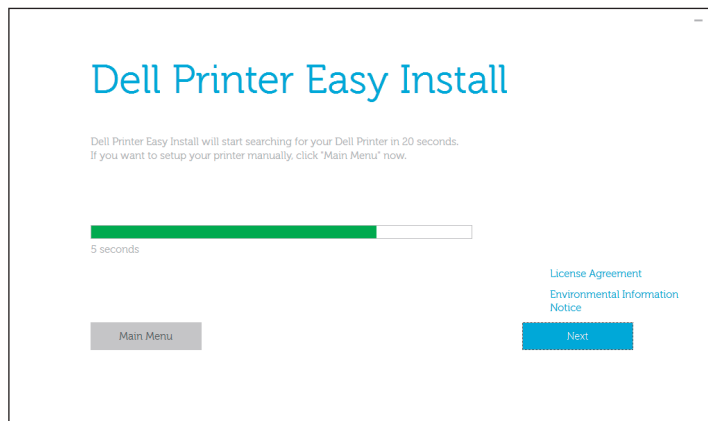
Connecting With Dell Printer Easy Install (Windows® Only)

- 1 Insert the *Software and Documentation* disc in your computer.
Alternatively, go to www.dell.com/support, enter the Service Tag of your printer, download the latest software and driver, and then open the file that you downloaded.

✎ NOTE:

- Make sure that the printer is connected to your computer using a USB cable.

- 2 On the Dell Printer Easy Install window, click **Next**. Dell Printer Easy Install begins to search for your printer.



- 3 Wait for Dell Printer Easy Install wizard to find and install your printer.

Configuring With Other Methods

For details, see "Installing the Software for Windows® Computers" or "Installing the Software for Macintosh Computers."

Installing the Software for Windows® Computers

Installing the Software and Print Drivers with Dell Printer Easy Install

- 1 Insert the *Software and Documentation* disc into your computer.

 **NOTE:**

- If the *Software and Documentation* disc does not start, perform the following.

- a For Windows® 7:

Click **Start** → **All Programs** → **Accessories** → **Run**.

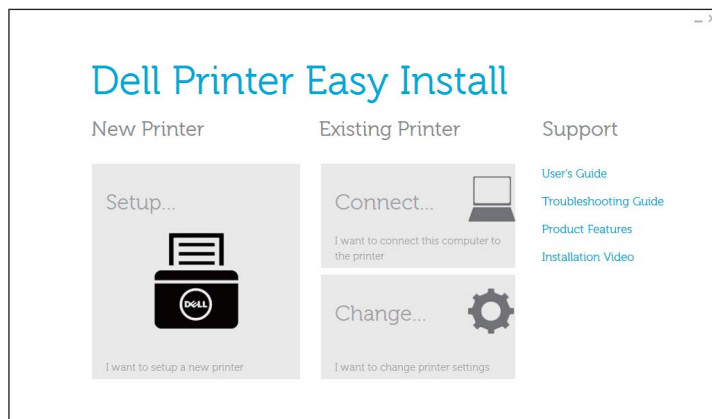
For Windows® 10:

Right-click the Start button, and then click **Run**.

- b Enter `D:\setup.exe` (*D* is the drive letter of the optical drive), and then click **OK**.

- 2 Click **Main Menu**.

- 3 On the **Dell Printer Easy Install** window, click **Setup**.



- 4 Select a connection method to the printer.
- 5 Follow the on-screen instructions until the **Ready to Print!** screen appears.
- 6 Click **Finish**.

 **NOTE:**

- You can verify the installation by clicking **Print Test Page**.

Installing the Software and Print Drivers When the Printer is Connected to the Network or Computer

If the printer connection via USB/Ethernet/Wireless is already configured, perform the following to install the print driver and software. You can install the driver for a printer with USB connection or network connection.

 **NOTE:**

- To install the print driver with network connection, you need the IP address that is assigned to the printer. To check the IP address of the printer, perform one of the procedures in "Verifying the IP Settings."
- Wireless network is available on Dell H625cdw and Dell H825cdw.

Installing the Printer Control Language (PCL), PostScript (PS), and Fax Driver with USB Cable Connection

 **NOTE:**

- If you are connecting the printer to a network, see "Installing the Printer Control Language (PCL), PostScript (PS), and Fax Driver with Network Connection."

- 1 Insert the *Software and Documentation* disc into your computer.

 **NOTE:**

- If the *Software and Documentation* disc does not start, perform the following.

- a For Windows® 7:

Click **Start** → **All Programs** → **Accessories** → **Run**.

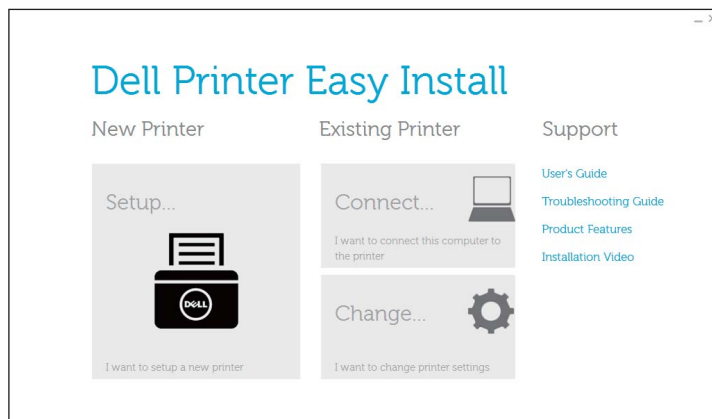
For Windows® 10:

Right-click the Start button, and then click **Run**.

- b Enter `D:\setup.exe` (*D* is the drive letter of the optical drive), and then click **OK**.

- 2 Click **Main Menu**.

3 On the **Dell Printer Easy Install** window, click **Connect**.



4 Select **USB Cable Connection**, and then click **Next**.

5 Follow the on-screen instructions until the **Ready to Print!** screen appears.

6 Click **Finish**.

 **NOTE:**

- You can verify the installation by clicking **Print Test Page**.

Installing the XML Paper Specification (XPS) Print Driver with USB Cable Connection

 **NOTE:**

- XML Paper Specification (XPS) driver is supported on Windows Vista® or later.
- If you are using Windows Vista® or Windows Server® 2008, you need to install Service Pack 2 or later, and then the Windows® Platform Update (KB971644). The update (KB971644) is available for download from Windows® Update.

The following procedure uses Windows® 7 and Windows® 10 as examples.

For Windows® 7:

1 Extract the following zip file to your desired location.

`D:\Drivers\XPS\Win_7Vista\XPS-V3_H825cdw_S2825cdn_H625cdw.zip` (*D* is the drive letter of the optical drive)

2 Click **Start** → **Devices and Printers** → **Add a printer**.

If the **User Account Control** dialog box appears, click **Yes**.

 **NOTE:**

- If you are logged on as an administrator on the computer, click **Yes**; otherwise, contact your administrator to continue the desired action.

3 Click **Add a local printer**.

4 Select the port connected to this product, and then click **Next**.

5 Click **Have Disk** → **Browse**.

6 Select the inf file in the folder extracted in step 1, and then click **OK**.

7 Select the printer name, and then click **Next**.

If you want to change the printer name, enter the printer name in the **Printer name** box, and then click **Next**.

- 8 Select either **Do not share this printer** or **Share this printer so that others on your network can find and use it**, and then click **Next**.
- 9 When the driver installation is completed, click **Print a test page** to verify installation. If you want to use this printer as the default printer, select the **Set as the default printer** check box, and then click **Next**.
- 10 Click **Finish**.

For Windows® 10:

- 1 Extract the zip file you downloaded to your desired location.
D:\Drivers\XPS\Win_8\XPS-V4_H825cdw_S2825cdn_H625cdw.zip (*D* is the drive letter of the optical drive)
- 2 Right-click the Start button, and then click **Control Panel**.
- 3 Click **Hardware and Sound** → **Devices and Printers** → **Add a printer**.
- 4 Click **The printer that I want isn't listed**.
- 5 Click **Add a local printer or network printer with manual settings** → **Next** → **Next** → **Have Disk** → **Browse**.
- 6 Select the inf file in the folder extracted in step 1, and then click **OK**.
- 7 Select the printer name, and then click **Next**.
If you want to change the printer name, enter the printer name in the **Printer name** box, and then click **Next**.
- 8 When the driver installation is completed, click **Print a test page** to verify installation. If you want to use this printer as the default printer, select the **Set as the default printer** check box.
- 9 Click **Finish**.

Installing the Printer Control Language (PCL), PostScript (PS), and Fax Driver with Network Connection

NOTE:

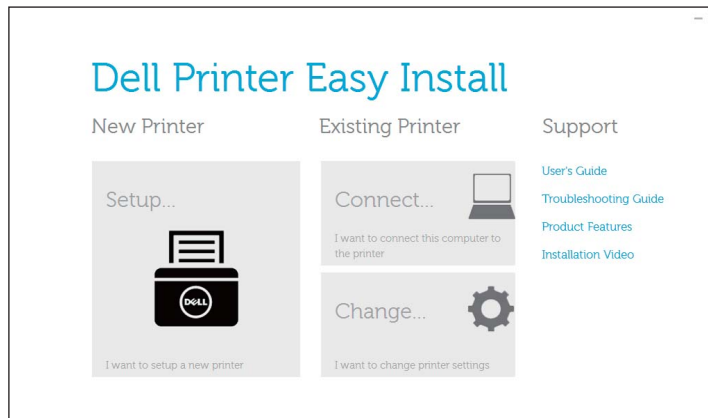
- To use the printer in a Linux environment, you need to install a Linux driver. See "Installing Printer Drivers on Linux Computers (CUPS)."

- 1 Insert the *Software and Documentation* disc into your computer.

NOTE:

- If the *Software and Documentation* disc does not start, perform the following.
- a For Windows® 7:
Click **Start** → **All Programs** → **Accessories** → **Run**.
For Windows® 10:
Right-click the Start button, and then click **Run**.
 - b Enter *D:\setup.exe* (*D* is the drive letter of the optical drive), and then click **OK**.

- 2 Click **Main Menu**.
- 3 On the **Dell Printer Easy Install** window, click **Connect**.



- 4 Select **Wireless or Ethernet Connection**, and then click **Next**.



NOTE:

- Wireless network is available on Dell H625cdw and Dell H825cdw.

- 5 Follow the on-screen instructions until the **Ready to Print!** screen appears.

- 6 Click **Finish**.



NOTE:

- You can verify the installation by clicking **Print Test Page**.

Installing the XML Paper Specification (XPS) Print Driver with Network Connection

For Windows® 7:

- 1 Extract the following zip file to your desired location.

D:\Drivers\XPS\Win_7Vista\XPS-V3_H825cdw_S2825cdn_H625cdw.zip (*D* is the drive letter of the optical drive)

- 2 Click **Start** → **Devices and Printers** → **Add a printer**.
- 3 Click **Add a network, wireless or Bluetooth printer**.



NOTE:

- Wireless network is available on Dell H625cdw and Dell H825cdw.

- 4 Select a printer, and then click **Next**.

Or

Click **The printer that I want isn't listed**.

If you select the printer, proceed to step 7.

If you click **The printer that I want isn't listed**, proceed to step 5.

- 5 Select **Add a printer using a TCP/IP address or host name**, and then click **Next**.

6 Select **TCP/IP Device** from **Device type**, enter the IP address for **Hostname or IP address**, and then click **Next**.

 **NOTE:**

- If the **User Account Control** dialog box appears and if you are the administrator of the computer, click **Yes**. Otherwise, contact your administrator to continue the desired action.

7 Click **Have Disk** → **Browse**.

8 Select the inf file in the folder extracted in step 1, and then click **OK**.

9 Select the printer name, and then click **Next**.

If you want to change the printer name, enter the printer name in the **Printer name** box, and then click **Next**.

10 Select either **Do not share this printer** or **Share this printer so that others on your network can find and use it**, and then click **Next**.

11 When the driver installation is completed, click **Print a test page** to verify installation.

If you want to use this printer as the default printer, select the **Set as the default printer** check box, and then click **Next**.

12 Click **Finish**.

For Windows® 10:

1 Extract the zip file you downloaded to your desired location.

D:\Drivers\XPS\Win_8\XPS-V4_H825cdw_S2825cdn_H625cdw.zip (*D* is the drive letter of the optical drive)

2 Right-click the Start button, and then click **Control Panel**.

3 Click **Hardware and Sound** → **Devices and Printers** → **Add a printer**.

4 Click **The printer that I want isn't listed**.

5 Click **Add a local printer or network printer with manual settings** → **Next** → **Next** → **Have Disk** → **Browse**.

6 Select the inf file in the folder extracted in step 1, and then click **OK**.

7 Select the printer name, and then click **Next**.

If you want to change the printer name, enter the printer name in the **Printer name** box, and then click **Next**.

8 When the driver installation is completed, click **Print a test page** to verify installation.

If you want to use this printer as the default printer, select the **Set as the default printer** check box.

9 Click **Finish**.

Setting Up for Web Services on Devices (WSD)

Adding Roles of Printer Services (Windows Server® Operating Systems Only)

When you use Windows Server® operating system, you need to add the roles of print services to the operating system.

For Windows Server® 2008 R2:

- 1 Click **Start** → **Administrative Tools** → **Server Manager**.
- 2 Select **Add Roles** from the **Action** menu.
- 3 Select the **Print and Document Services** check box on the **Server Roles** window in the **Add Roles Wizard**, and then click **Next** → **Next**.
- 4 Select the **Print Server** check box, and then click **Next** → **Install**.

Installing a Print Driver Using the Add Printer Wizard

The following procedure uses Windows® 7/Windows® 10 as an example.

- 1 For Windows® 7:

Click **Start** → **Devices and Printers**.

For Windows® 10:

Right-click the Start button, and then click **Control Panel** → **Hardware and Sound** → **Devices and Printers** → **Add a printer**.

For Windows® 10:

Proceed to step 3.

- 2 Select **Add a network, wireless or Bluetooth printer**.

 **NOTE:**

- Wireless network is available on Dell H625cdw and Dell H825cdw.

- 3 In the list of available printers, select the one you want to use, and then click **Next**.

 **NOTE:**

- In the list of available printers, the Web Services on Devices (WSD) printer is displayed in the form of **http://IP address/ws/**.
- If no Web Services on Devices (WSD) printer is displayed in the list, enter the printer's IP address to create a Web Services on Devices (WSD) printer. To enter the printer's IP address, perform the following procedure.
For Windows Server® 2008 R2, to create a Web Services on Devices (WSD) printer, you must be a member of Administrators group.
 - 1 Click **The printer that I want isn't listed**.
 - 2 Select **Add a printer using a TCP/IP address or hostname**, and then click **Next**.
 - 3 Select **Web Services Device** from **Device type**.
 - 4 Enter the printer's IP address in the **Hostname or IP address** text box, and then click **Next**.
- Before installing the driver using the Add Printer wizard on Windows Server® 2008 R2 or Windows® 7, perform one of the following:
 - Establish the Internet connection so that Windows® Update can scan your computer.
 - Add the print driver to your computer.

- 4 If prompted, install the print driver on your computer. If you are prompted for an administrator password or confirmation, enter the password or provide confirmation.
- 5 Complete the additional steps in the wizard, and then click **Finish**.
- 6 Print a test page to verify print installation.
 - a For Windows® 7:
Click **Start** → **Devices and Printers**.
For Windows® 10:
Right-click the Start button, and then click **Control Panel** → **Hardware and Sound** → **Devices and Printers**.
 - b Right-click the icon of the printer you just created, and then click **Printer properties**.
 - c On the **General** tab, click **Print Test Page**.
When a test page is printed successfully, installation is complete.

Installing the Software for Macintosh Computers

Installing the Software and Print Drivers

- 1 Insert the *Software and Documentation* disc on the Macintosh computer, and then click the CD icon.
- 2 Double-click your printer icon, and then click **Continue**.
- 3 When the popup dialog box prompts you to confirm the program included in the installation package, click **Continue**.
- 4 Click **Continue** on the **Important Information** screen.
- 5 Select a language for the **Software License Agreement** screen.
- 6 After reading **Software License Agreement**, click **Continue**.
- 7 If you agree to the terms of **Software License Agreement**, click **Agree** to continue the installation process.
- 8 Specify the installation location, and then click **Continue**.
- 9 Click **Install**.
If you want to select a custom installation, click **Customize** and select items that you want to install.
- 10 Enter the administrator's name and password, and then click **Install Software** → **Continue Installation**.
- 11 Click **Log Out** or **Close**.

Adding a Printer Using USB Connection

- 1 Turn on the printer.
- 2 Connect the USB cable to the printer and the Macintosh computer.

Adding a Printer Using IP Printing

The following procedure uses OS X 10.10 as an example.

1 Turn on the printer.

2 Make sure that Macintosh computer and the printer are connected.

If you use wired connection, connect the printer to the network via an Ethernet cable.

If you use wireless connection, make sure that the wireless connection is configured properly on your Macintosh computer and the printer.

 **NOTE:**

- Wireless network is available on Dell H625cdw and Dell H825cdw.

3 Open the **System Preferences**, and then click **Printers & Scanners**.

4 Click the Plus (+) sign, and then click **IP**.

5 Select **Line Printer Daemon - LPD** for **Protocol**.

6 Enter the IP address for the printer in the **Address** area.

7 Select **Dell Color MFP H625cdw**, **Dell Color MFP H825cdw**, or **Dell Color MFP S2825cdn** for **Use**.

 **NOTE:**

- When printing is set up using IP printing feature, the queue name is displayed as blank. You do not need to specify it.

8 Click **Add**.

9 Specify the options that have been installed on the printer, and then click **Continue**.

10 Make sure that the printer is displayed in the **Printers & Scanners** dialog box.

Adding a Printer Using Bonjour

The following procedure uses OS X 10.10 as an example.

1 Turn on the printer.

2 Make sure that Macintosh computer and the printer are connected.

If you use wired connection, connect the printer to the network via an Ethernet cable.

If you use wireless connection, make sure that the wireless connection is configured properly on your Macintosh computer and the printer.

 **NOTE:**

- Wireless network is available on Dell H625cdw and Dell H825cdw.

3 Open the **System Preferences**, and then click **Printers & Scanners**.

4 Click the Plus (+) sign, and then click **Default**.

5 Select the printer connected via Bonjour from the **Name** list.

6 **Name** and **Use** are automatically entered.



NOTE:

- If **AirPrint** is selected for **Use**, select **Dell Color MFP H625cdw**, **Dell Color MFP H825cdw**, or **Dell Color MFP S2825cdn** manually.

7 Click **Add**.

8 Specify the options that have been installed on the printer, and then click **Continue**.

9 Make sure that the printer is displayed in the **Printers & Scanners** dialog box.

Configuring With Optional Accessories

On the driver, specify the optional accessories that have been installed on the printer to enable features associated with those accessories.

- 1** Open the **System Preferences**, and then click **Printers & Scanners**.
- 2** Select the printer in the **Printers** list, and then click **Options & Supplies**.
- 3** Select **Options**, and select the options that have been installed on the printer, and then click **OK**.

Connecting Your Printer to Mobile Devices

You can connect the printer directly to your mobile devices, such as computers, smart phones, and tablets, and then you can print or scan documents, photos, web pages, or e-mail quickly and easily.

Wi-Fi Direct

Wi-Fi Direct allows your mobile devices to connect to the printer directly via a Wi-Fi network. With Wi-Fi Direct, you can print documents, photos, or e-mail on your mobile devices directly without an access point or a wireless router.

NOTE:

- Wi-Fi Direct is available on Dell H625cdw and Dell H825cdw.
- The maximum number of mobile devices that can be connected via the Wi-Fi Direct network is 3.
- You cannot connect your mobile device to the Internet via the printer's Wi-Fi Direct network.
- Depending on the mobile device, the channel used to connect the mobile device to the printer via Wi-Fi Direct may differ from the channel used by the printer to connect to a network via Wi-Fi infrastructure mode. In such a case, simultaneous connection with Wi-Fi Direct and Wi-Fi infrastructure mode may not work properly.
- The printer connected with Wi-Fi Direct supports the following protocols; LPD, Port9100, WSD*, Bonjour (mDNS), SNMPv1/v2c, Dell Printer Configuration Web Tool.
* WSD stands for Web Services on Devices.

Setting Up Wi-Fi Direct

To use Wi-Fi Direct, you need to first set up the Wi-Fi Direct settings from the operator panel of the printer. To connect the mobile device to the printer via Wi-Fi Direct, select the SSID of the printer from the list of wireless networks on the mobile device and enter the passphrase necessary for connection.

Setting Up the Printer

NOTE:

- You can set the same setting using Dell Printer Configuration Web Tool. See "Dell™ Printer Configuration Web Tool."
- Wi-Fi Direct cannot be used in an IPv6 or Ad-hoc environment.

1 Press the (Wi-Fi) button.

If Panel Lock Control is set to Enable, enter the password. See "Panel Lock."

2 Tap Wi-Fi Direct.

3 In the Wi-Fi Direct menu, tap Wi-Fi Direct → Enable → OK.

If a popup message about the mobile devices is displayed, tap Close.

4 Tap Group Role → Group Owner → OK → Paired Device.

5 Make sure that no device is connected with the Wi-Fi Direct connection.

NOTE:

- When other mobile device is connected, the device name and Connected are displayed on Paired Device, and you cannot use the Wi-Fi Direct connection. Disconnect the other mobile device from the Wi-Fi Direct network. See "Disconnecting Wi-Fi Direct Network."

6 Turn off the printer, and then turn it on again.

- 7 Repeat steps 1 and 2 after the printer is restarted, and then tap **Group Owner**.
- 8 Tap **SSID** and **Passphrase** to check what the SSID and passphrase are.



NOTE:

- To check the printer's SSID and passphrase, you can also print the list by tapping **Print Passphrase** under the **Passphrase** menu.

Connecting the Mobile Device

The following procedure uses Windows® 7, Windows® 10, OS X 10.10, iOS, and Android as examples.

Connect the mobile device to the Wi-Fi Direct network.

For Windows® 7:

- 1 Click the network icon on the taskbar.
- 2 Click the printer's SSID → **Connect**.
- 3 Enter the passphrase, and then click **OK**.
- 4 Click **Cancel**, and then exit the **Set Network Location** window.

For Windows® 10:

- 1 Click the Start button, and then click **Settings**.
- 2 Click the Wi-Fi icon.
- 3 Click the printer's SSID → **Connect**.
- 4 Enter the passphrase, and then click **Next**.

For OS X 10.10:

- 1 Click the network icon on the Menu Bar.
- 2 Click the printer's SSID.
- 3 Enter the passphrase, and then click **Join**.

For iOS:

- 1 Tap **Settings** → **Wi-Fi**.
- 2 Tap the printer's SSID.
- 3 Enter the passphrase, and then tap **Join**.

For Android:

The procedure varies depending on your mobile device you are using. Refer to the manual supplied with your mobile device.

Printing via Wi-Fi Direct

Installing the Print Driver

Before printing, you are required to install the print driver accordingly.

For Windows® 7/Windows® 10:

You need to install the print driver on the mobile device. See "Installing the Software for Windows® Computers."

For OS X 10.10:

You need to install the print driver on the mobile device. See "Installing the Software for Macintosh Computers."

For iOS:


You need to install the printing program from App Store, and then the printer is ready for use. For details, see "Dell Document Hub."

For Android:

You need to install the printing program from Google Play™, and then the printer is ready for use. For details, see "Dell Document Hub."

The printing procedure varies depending on your mobile device you are using. Refer to the manual supplied with your mobile device to print as you normally do from the mobile device.

Disconnecting Wi-Fi Direct Network


- 1 Press the  (Wi-Fi) button.
- 2 Tap `Wi-Fi Direct` → `Paired Device`.

NOTE:



- The `Paired Device` menu is displayed only when the printer is connected via Wi-Fi Direct.

- 3 Tap the mobile device name to disconnect, or select `Disconnect All`.
- 4 Tap `Disconnect now` or `Disconnect and Reset Passphrase` → `Yes`.

You can also disconnect the mobile device from the following steps:



- 1 Press the  (**Information**) button.
- 2 Tap the `Tools` tab → `Admin Settings` → `Network` → `Wi-Fi Direct` → `Paired Device`.
If `Panel Lock Control` is set to `Enable`, enter the password. See "Panel Lock."
- 3 Tap `Disconnect All`.
- 4 Tap `Disconnect now` or `Disconnect and Reset Passphrase` → `Yes`.

Resetting the Passphrase

- 1 Press the  (Wi-Fi) button.
If `Panel Lock Control` is set to `Enable`, enter the password. See "Panel Lock."
- 2 Tap `Wi-Fi Direct`.
- 3 Tap  until `Passphrase` appears, and then tap `Passphrase`.
- 4 Tap `Reset Passphrase` → `Yes`.

The Wi-Fi Direct is disconnected and the passphrase is reset.

Resetting the PIN

- 1 Press the  (Wi-Fi) button.
If Panel Lock Control is set to Enable, enter the password. See "Panel Lock."
- 2 Tap Wi-Fi Direct.
- 3 Tap  until WPS Setup appears, and then tap WPS Setup.
- 4 Tap PIN Code → Reset Code → OK.

Dell Document Hub

The Dell Document Hub app allows you to scan to and print from a variety of common cloud storage services. Easy to use and navigate, this free app enables direct printing of photos, documents, web content and more, to supported Dell printers on a Wi-Fi, Wi-Fi Direct, or Ethernet network. You can also view the printer status and configuration of print and scan settings. For details, click **Learn more** at www.dell.com/dochub.

Android

Download the Dell Document Hub app for free from Google Play.
Scan the QR Code[®] for quick access to the relevant application store.



iOS

Download the Dell Document Hub app for free from App Store.
Scan the QR Code for quick access to the relevant application store.



AirPrint



AirPrint allows you to print through a network with the device running iOS or OS X. Be sure to install the latest version of iOS for iOS device. For OS X, be sure to update OS X and the apps you have purchased from the App Store using the Software Update.

Setting Up AirPrint on Your Printer


NOTE:

- The AirPrint setting is activated by default.

- 1 Make sure that the printer is connected to the network.
- 2 Start Dell Printer Configuration Web Tool.
See "Starting Dell Printer Configuration Web Tool."
- 3 Click **Print Server Settings** → the **Print Server Settings** tab → **AirPrint**.
- 4 Select the **Enable AirPrint** check box.
- 5 Click **Apply New Settings**, and then restart the printer.

Printing via AirPrint

The following procedure uses the iPhone running iOS 8.1 as an example.

- 1 Open your e-mail, photo, web page, or document that you want to print.
- 2 Tap the action icon .
- 3 Tap **Print**.
- 4 Select the printer and set printer options.
- 5 Tap **Print**.

Google Cloud Print

By registering the printer to your Google™ account, Google Cloud Print service allows you to print from various devices connected to the Internet. You can print documents, photos or e-mails using the Google Chrome™ browser or applications such as Google Drive™ on your mobile device. For details about Google Cloud Print, visit the Google web site.

Preparing to Use the Printer With Google Cloud Print

To use Google Cloud Print, you need to prepare the following in advance:

- Connect the printer to a network that has access to the Internet.



 **NOTE:**

- Google Cloud Print supports only IPv4 connection.
- If the printer is connected to a network via a proxy server, you need to specify the settings in **Proxy Server** from Dell Printer Configuration Web Tool. See "Proxy Server."

- Acquire a Google account and a Gmail™ address.
- Enable Google Cloud Print on the operator panel.

 **NOTE:**

- You can set the same setting using Dell Printer Configuration Web Tool. See "Dell™ Printer Configuration Web Tool."

- 1 Press the  (**Information**) button.
- 2 Tap the **Tools** tab → **Admin Settings** → **Network** → **Protocols**.
If **Panel Lock Control** is set to **Enable**, enter the password. See "Panel Lock."
- 3 Tap  until **Google Cloud Print** appears, and then tap **Google Cloud Print**.
- 4 Tap **Enable** → **OK**.
- 5 Turn off the printer, and then turn it on again to apply the settings.

Selecting the Version of the Google Cloud Print Service

Select the version of the Google Cloud Print service from either version 1.1 or version 2.0.

Google Cloud Print version 1.1 sends the print data to the printer via Internet. For this version, the printer needs to be connected to the Internet.



Google Cloud Print version 2.0 sends the print data to the printer either via Internet or via local network. This version is recommended for the environment where the Internet connection cannot be used.



NOTE:

- Available options for printing may vary according to your device or the version of the Google Cloud Print service.
- You cannot simultaneously use both version 1.1 and version 2.0 of the Google Cloud Print service on a printer.

Registering the Printer to Your Google Account

For Google Cloud Print Version 1.1

- 1 Start Dell Printer Configuration Web Tool.
See "Starting Dell Printer Configuration Web Tool."
- 2 Click **Print Server Settings** → the **Print Server Settings** tab → **Google Cloud Print** → **Register This Device to Google Cloud Print**.
A sheet with a URL for the Google Cloud Print printer registration web site is printed.
- 3 From the web browser of your computer, visit the Google web site and sign in with your Google account.

You can visit the Google Cloud Print registration web site by entering the URL on the printout into your web browser or by scanning the QR code with your mobile device.

4 On the Google Cloud Print registration web site, click **Finish printer registration**.

5 Click **Manage your printers**.

The printer is listed in the **Printers** list and ready for use with the Google Cloud Print service.

For Google Cloud Print Version 2.0

1 Open the Google Chrome browser. When you are using the Google Chromebook, start and log in to the Chromebook.

2 Click  in the top right corner, and then select **Settings**.

3 Click **Show advanced settings** in the bottom of the page.

4 Click **Google Cloud Print** → **Manage**.

 **NOTE:**

- If a message is displayed under **New Devices** to sign in to Chrome, click **sign in** and sign in to Chrome.

5 Click **Register** for the printer you want to register.

 **NOTE:**

- If **Bonjour (mDNS)** is disabled, the newly added printer is not displayed in **New devices**. In this case, start Dell Printer Configuration Web Tool. Click **Print Server Settings** → the **Print Server Settings** tab → **Port Settings**. Select the **Bonjour (mDNS)** check box.

6 When the window to confirm the registration appears, click **Register**.

7 Follow the on-screen instruction on the printer.

8 When the printer name appears in the **My devices** list, the registration is completed.

 **NOTE:**

- It may take about 5 minutes or more until the printer name appears in the **My devices** list.

Sharing the Printer With the Google Cloud Print Service

You can share the printer registered for the Google Cloud Print service with other users.

1 Open the Google Chrome browser.

When you are using the Google Chromebook, start and log in to the Chromebook.

2 Click  in the top right corner, and then select **Settings**.

3 Click **Show advanced settings** in the bottom of the page.

4 Click **Google Cloud Print** → **Manage**.

 **NOTE:**

- If a message is displayed to sign in to Chrome, click **sign in** and sign in to Chrome.

5 Click **Manage** for the printer you want to share.

6 Click **Google Cloud Print** → **Share**.

- 7 In the window to specify the printer sharing, enter the Google accounts of the users that you want to invite to share the printer, and click **Share**.

 **NOTE:**

- When the invited users log in to the Google Cloud Print web page, a message appears to show that the printer owner made the sharing settings. Accept the sharing invitation.

Canceling the Registration to Google Cloud Print

- 1 Start Dell Printer Configuration Web Tool.
See "Starting Dell Printer Configuration Web Tool."
- 2 Click **Print Server Settings** → **Cancel Registration**.
- 3 Make sure that **Register This Device to Google Cloud Print** appears.

Printing via Google Cloud Print

The printing procedure varies depending on the application or the device you are using. You can see the application list that supports Google Cloud Print service on the Google web site.




Printing From an Application on a Mobile Device

The following procedure uses the Google Drive application on an Android mobile device as an example.

- 1 Install the Google Drive application on your mobile device.

 **NOTE:**

- You can download the application from Google Play.



- 2 Start the Google Drive application on your mobile device.
- 3 Tap  next to the file name of the file you want to print.
- 4 Tap **Print**.
If **Print** is not displayed, tap , and then tap **Print**.
- 5 Select a google cloud printer form the list.
- 6 Specify printer options, and then tap .

Printing From Google Chrome

 **NOTE:**

- You are required to register the Google Cloud Print Version 2.0.


The following procedure uses the Google Chrome browser on a Windows® PC as an example.

- 1 Open the Google Chrome browser.
- 2 Open the web page or e-mail that you want to print.
- 3 Click  or  (varies depending on the version of the Google Chrome browser) in the top right corner, and then click **Print**.
- 4 In the **Destination** area, click **Change**.
- 5 In the **Google Cloud Print** area, select the printer.

- 6 Click **Print**.

Printing From Google Chromebook

NOTE:

- You are required to register the Google Cloud Print Version 2.0.
- 1 Open the web page or e-mail that you want to print.
 - 2 Click  in the top right corner and then click **Print**.
 - 3 Confirm that your printer is specified in the **Destination area**. If not, click **Change** and select your printer.
 - 4 Click **Print**.

Mopria Print Service

Mopria Print Service allows any Android phone or tablet (Android version 4.4 or later) to connect and print to Mopria-certified printers without additional set up.

Firstly, download and install the Mopria Print Service app from Google Play store to your Android mobile device:

<https://play.google.com/store/apps/>

In order to print, connect your mobile device to the same network as the printer or use the Wi-Fi Direct functionality to connect your mobile device to the printer.

NOTE:

- Mopria Print Service might be preloaded in your mobile device. If your mobile device does not have the Mopria Print Service, you can easily download it from the Google Play store. To learn more about Mopria Print Service, visit <http://www.mopria.org/>.
- Make sure that **Mopria** is set to **Enable** in advance using Dell Printer Configuration Web Tool. See "Setting Up Mopria Print Service on Your Printer."

Setting Up Mopria Print Service on Your Printer

- 1 Make sure that the printer is connected to the network.
- 2 Start Dell Printer Configuration Web Tool.
See "Starting Dell Printer Configuration Web Tool."
- 3 Click **Print Server Settings** → the **Print Server Settings** tab → **Mopria**.
- 4 Click **Enable**.
The printer is ready for Mopria Print Service.

Printing via Mopria Print Service

- 1 Open your e-mail, photo, web page, or document that you want to print.
- 2 Tap the menu, and then select **Print**.
- 3 Tap **All printers** in the menu.
- 4 Select the printer, and then set printer options.
- 5 Tap **Print**.

Installing Printer Drivers on Linux Computers (CUPS)

This section provides information for installing or setting up the print driver with Common UNIX Printing System (CUPS) on Red Hat® Enterprise Linux® 6 Desktop, SUSE® Linux Enterprise Desktop 11, or Ubuntu 12.04 LTS.

The following procedure uses Dell H825cdw as an example.

Operation on Red Hat Enterprise Linux 6 Desktop

Setup Overview

Red Hat Enterprise Linux 6 Desktop:

- 1 Install the print driver.
- 2 Set up the print queue.
- 3 Set up the default queue.
- 4 Specify the printing options.

Installing the Print Driver

- 1 Select **Applications** → **System Tools** → **Terminal**.
- 2 Enter the following command in the terminal window.

```
su
[administrator password]
rpm -ivh [file path]
/Dell-MFP-S2825cdn-H825cdw-x.x-x.rpm
```

Setting Up the Print Queue

To perform printing, you must set up the print queue on your workstation.

- 1 Open the URL **http://localhost:631** using a web browser.
- 2 Click **Administration** → **Add Printer**.
- 3 Enter root as the user name, enter the administrator password, and then click **OK**.
For network connections:
 - a Select **LPD/LPR Host or Printer** from the **Other Network Printers** menu, and then click **Continue**.
 - b Enter the IP address of the printer in **Connection**, and then click **Continue**.
Format: *lpd:// xxx.xxx.xxx.xxx* (the IP address of the printer)For USB connections:
 - a Select **Dell Color MFP H825cdw** from the **Local Printers** menu, and then click **Continue**.

- 4 Enter the name of the printer in the **Name** box in the **Add Printer** window, and then click **Continue**.
You can optionally specify the location and description of the printer for further information.
- 5 Select **Dell Color MFP H825cdw vxxxx.PS (en)** from the **Model** menu, and then click **Add Printer**.

Printing From the Program

When you have finished setting up the queue, you can print from the programs. To print from the program, specify the queue in the print dialog box.

However, on programs such as Mozilla, it may only be possible to print from the default queue.

In these cases, set the queue that you want to print to as the default queue before you start printing. See "Setting Up the Default Queue."

Setting Up the Default Queue

- 1 Select **Applications** → **System Tools** → **Terminal**.
- 2 Enter the following command in the terminal window.

```
su  
[administrator password]  
lpadmin -d [queue name]
```

Specifying the Printing Options

You can specify the printing options such as color mode.

- 1 Open the URL **http://localhost:631** using a web browser.
- 2 Click **Administration** → **Manage Printers**.
- 3 Click the queue name for which you want to specify the printing options.
- 4 Select **Set Default Options** from the **Administration** menu.
- 5 Click the desired setting item to specify the required settings, and then click **Set Default Options**.

Uninstalling the Print Driver

- 1 Select **Applications** → **System Tools** → **Terminal**.
- 2 Enter the following command in the terminal window to delete the print queue.

```
su
[administrator password]
/usr/sbin/lpadmin -x [queue name]
```

- 3 Repeat the command above for all queues for the same model.
- 4 Enter the following command in the terminal window.

```
su
[administrator password]
rpm -e Dell-MFP-S2825cdn-H825cdw
```

Operation on SUSE Linux Enterprise Desktop 11

Setup Overview

SUSE Linux Enterprise Desktop 11:

- 1 Install the print driver.
- 2 Set up the print queue.
- 3 Set up the default queue.
- 4 Specify the printing options.

Installing the Print Driver

- 1 Select **Computer** → **More Applications...**, and then select **GNOME Terminal** on the Application Browser.
- 2 Enter the following command in the terminal window.

```
su
[administrator password]
rpm -ivh [file path] /
Dell-MFP-S2825cdn-H825cdw-x.x-x.rpm
```

Setting Up the Print Queue

To perform printing, you must set up the print queue on your workstation.

- 1 Select **Computer** → **More Applications...**, and then select **YaST** on the Application Browser.
- 2 Enter the administrator password, and then click **Continue**.
- 3 Select **Hardware** → **Printer**.

For network connections:

- a Click **Add**.
- b Click **Connection Wizard**.
- c Select **Line Printer Daemon (LPD) Protocol** from **Access Network Printer or Printserver Box via**.
- d Enter the IP address of the printer in **IP Address or Host Name**.
- e Select **Dell** in the **Select the printer manufacturer**: drop-down list box.
- f Click **OK**.
- g Select your printer from the **Assign Driver** list.

 **NOTE:**

- You can specify the printer name in **Set Name**.

- h Check the settings, and then click **OK**.

For USB connections:

- a Click **Add**.
- b Select your printer from the **Assign Driver** list.

 **NOTE:**

- You can specify the printer name in **Set Name**.

- c Check the settings, and then click **OK**.

Printing From the Program

When you have finished setting up the queue, you can print from the programs. To print from the program, specify the queue in the print dialog box.

However, sometimes you can print only from the default queue depending on the program such as Mozilla. In these cases, before you start printing, set queue you want to print to as the default queue. See "Setting Up the Default Queue."

Setting Up the Default Queue

You can set the default queue when you add the printer.

- 1 Select **Computer** → **More Applications...**, and then select **YaST** on the Application Browser.
- 2 Enter the administrator password, and then click **Continue**.
- 3 Select **Hardware** → **Printer**.
- 4 Click **Edit**.
- 5 Check that the printer you want to set is selected in the **Connection** list.

- 6 Select the **Default Printer** check box.
- 7 Check the settings, and then click **OK**.

Specifying the Printing Options

You can specify the printing options such as color mode.

- 1 Open a web browser.
- 2 Enter **http://localhost:631/admin** in **Location**, and then press <Enter> on the keyboard.
- 3 Click **Manage Printers**.
- 4 Click **Set Printer Options** of the printer for which you want to specify the printing options.
- 5 Specify the required settings, and then click **Set Printer Options**.
- 6 Enter root as the user name, enter the administrator password, and then click **OK**.

NOTE:

- Set the password for authority as the printer administrator before setting the printer queue. If you have not set it, proceed to "Setting the Password for Authority as the Printer Administrator."

- 7 Execute printing from the program.

Setting the Password for Authority as the Printer Administrator

You must set the password for authority as the printer administrator to do operations as the printer administrator.

- 1 Select **Computer** → **More Applications...** and select **GNOME Terminal** on the Application Browser.
- 2 Enter the following command in the terminal window.

```
su
[administrator password]
lppasswd -g sys -a root
```

- 3 Enter the password for authority as the printer administrator.
- 4 Re-enter the password.

Uninstalling the Print Driver

- 1 Select **Computer** → **More Applications...** and select **GNOME Terminal** on the Application Browser.
- 2 Enter the following command in the terminal window to delete the print queue.

```
su
[administrator password]
/usr/sbin/lpadmin -x [queue name]
```

- 3 Repeat the command above for all queues for the printer.
- 4 Enter the following command in the terminal window.

```
su
[administrator password]
rpm -e Dell-MFP-S2825cdn-H825cdw
```

Operation on Ubuntu 12.04 LTS

Setup Overview

- 1 Install the print driver.
- 2 Set up the print queue.
- 3 Set up the default queue.
- 4 Specify the printing options.

Installing the Print Driver

- 1 Click **Dash Home**, and then enter the terminal in the **Search** text box.
- 2 Click **Applications** → **Terminal**.
- 3 Enter the following command in the terminal window.

For the 32-bit architecture:

```
sudo lpadmin -d (Enter the queue name)
(Type the administrator password)
```

For the 64-bit architecture:

```
sudo dpkg -i (Type the file path)/
dell-mfp-s2825cdn-h825cdw_x_x-x_amd64.deb
(Type the administrator password)
```

Setting Up the Print Queue

To execute printing, you must set up the print queue on your workstation.

- 1 Open the URL **http://localhost:631** using a web browser.
- 2 Click **Administration** → **Add Printer**.
- 3 Enter the user name and the administrator password, and then click **OK**.

4 Select either of the following according to the type of your printer connection.

For network connections:

- a Select **LPD/LPR Host or Printer** from the **Other Network Printers** menu, and then click **Continue**.
- b Enter the IP address of the printer in **Connection**, and then click **Continue**.
Format: `lpd://xxx.xxx.xxx.xxx` (the IP address of the printer)

For USB connections:

- a Select **Dell Color MFP H825cdw** from the **Local Printers** menu, and then click **Continue**.
- 5 Select the **Add Printer** window, and then enter the name of the printer in the **Name** box.
- 6 Click **Continue**.
You can optionally specify the location and description of the printer for further information.
If you want to share the printer, select the **Share This Printer** check box.
- 7 Select **Dell** from the **Make** menu, and then click **Continue**.
- 8 Select **Dell Color MFP H825cdw vxxxx.PS** from the **Model** menu, and then click **Add Printer**.

Printing From Applications

When you have finished setting up the print queue, you can print jobs from the applications.

Start the print job from the application, and then specify the queue in the print dialog box.

However, on programs such as Mozilla, it may only be possible to print from the default queue.

In these cases, set the queue that you want to print to as the default queue before you start printing.

For information on specifying the default queue, see "Setting Up the Default Queue."

Setting Up the Default Queue

- 1 Click **Dash Home**, and then enter terminal in the **Search** text box.
- 2 Click **Terminal** in the **Applications** category of the search results.
- 3 Enter the following command in the terminal window.

```
sudo lpadmin -d (Enter the queue name)
(Type the administrator password)
```

Specifying the Printing Options

You can specify the printing options such as 2-sided printing.

- 1 Open the URL **`http://localhost:631`** using a web browser.

- 2 Click **Administration** → **Manage Printers**.
- 3 Click the queue name for which you want to specify the printing options.
- 4 Select **Set Default Options** from the **Administration** menu.
- 5 Click the desired setting item, and then specify the required settings.
- 6 Click **Set Default Options**.

Uninstalling the Print Driver

- 1 Click **Dash Home**, and then enter terminal in the **Search** text box.
- 2 Click **Terminal** in the **Applications** category of the search results.
- 3 Enter the following command in the terminal window to delete the print queue.

```
sudo /usr/sbin/lpadmin -x (Type the print queue name)
(Type the administrator password)
```

- 4 Repeat the command above for all queues for the same model.
- 5 Enter the following command in the terminal window.

```
sudo dpkg -r Dell-MFP-S2825cdn-H825cdw
(Type the administrator password)
```


Setting the IP Address

Assigning an IP Address

You can select the IP mode from Dual Stack, IPv4, and IPv6. If your network supports both IPv4 and IPv6, select Dual Stack.

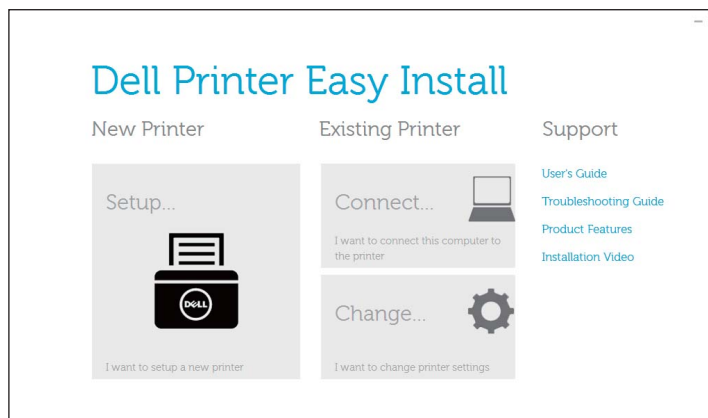
Select the IP mode of your environment, and then set IP address, subnet mask (for IPv4 only), and gateway address.

NOTE:

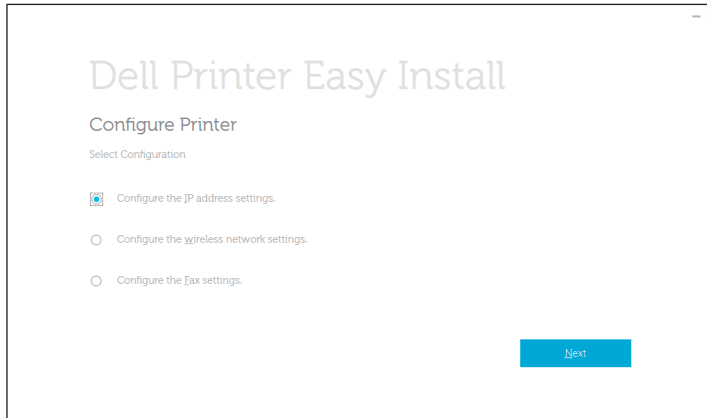
- Assigning an IP address that is already in use can cause network performance issues.
- IP addresses should be assigned by advanced users or system administrators.
- When you assign an IP address manually in IPv6 mode, use Dell Printer Configuration Web Tool. To display Dell Printer Configuration Web Tool, use the link-local address. To check the link-local address, print a system settings report and check the **Link-Local Address** under **Network (Wired)** or **Network (Wireless)**. See "Report / List."
- Wireless network is available on Dell H625cdw and Dell H825cdw.

When Using Dell Printer Easy Install (Windows® Only)

- 1 Insert the *Software and Documentation* disc into your computer.
- 2 Click **Main Menu**.
- 3 Click **Change**.



4 Click **Configure the IP address settings** → **Next**.



5 Follow the on-screen instructions until the **Configure Printer** screen appears.

6 Click **Advanced**.

7 Specify the IP address settings according to your network environment.

8 Click **Next**, and then follow the on-screen instructions.

When Using the Operator Panel

1 Press the **i** (**Information**) button.

2 Tap the **Tools** tab → **Admin Settings** → **Network**.

If **Panel Lock Control** is set to **Enable**, enter the password. See "Panel Lock."

3 Perform either of the following:

If the printer is connected to a network with the Ethernet cable:

Tap **Ethernet**.

For Dell H625cdw and Dell H825cdw:

If the printer is connected to a wireless network:

Tap **Wi-Fi**.

4 Tap **IP Mode** → **IPv4 Mode** → **OK**.

5 Tap **▼** until **TCP/IP** appears, and then tap **TCP/IP** → **Get IP Address**.

6 Select how the IP address is assigned.

- To set the IP address automatically, select **AutoIP**, **DHCP**, **BOOTP**, **RARP**, or **Panel**, and then click **OK**. Proceed to step 7.

- To set the IP address manually, select **Panel**, and then click **OK**. Perform the following:


a Tap **IP Address**.

The cursor is located at the first octet of the IP address.

b Use the number pad to enter the first octet of the IP address, and then tap **▶**.

The cursor moves to the next octet.


 **NOTE:**

- You can only enter one octet at a time and must tap  after entering each octet.
- Enter the rest of the octets, and then tap **OK**.
 - Tap **Subnet Mask**.
 - Use the number pad to enter the subnet mask, and then tap **OK**.
 - Tap **Gateway Address**.
 - Use the number pad to enter the gateway address, and then tap **OK**.
- Turn off the printer, and then turn it on again.

Verifying the IP Settings

You can check the settings by using the operator panel, or printing the system settings report.

Verifying the Settings Using Operator Panel

- Press the  (**Information**) button.
- Tap **About This MFP** → the **Network** tab.
- Verify the IP address displayed in **IP (v4) Address**.

Verifying the Settings Using System Settings Report

- Print the system settings report.
See "Report / List."
- Verify that the correct IP address, subnet mask, and gateway address are listed in the system settings report under **Network (Wired)** or **Network (Wireless)**.

If the IP address shows 0 . 0 . 0 . 0, an IP address has not been assigned. See "Assigning an IP Address."

 **NOTE:**

- Wireless network is available on Dell H625cdw and Dell H825cdw.

Using Your Printer

Using the Operator Panel	77
Understanding the System Menus	83
Understanding the Job Menus	119
Dell™ Printer Configuration Web Tool	135
Print Media Guidelines	188
Loading Print Media	194
Loading Documents	205

Using the Operator Panel

The operator panel consists of a touch panel, a Ready/Error LED, control buttons, a **Power** button, and a number pad. Use the touch panel and number pad to browse the operator panel menus and enter texts and numbers.

For details about names of parts, see "Operator Panel."

NOTE:

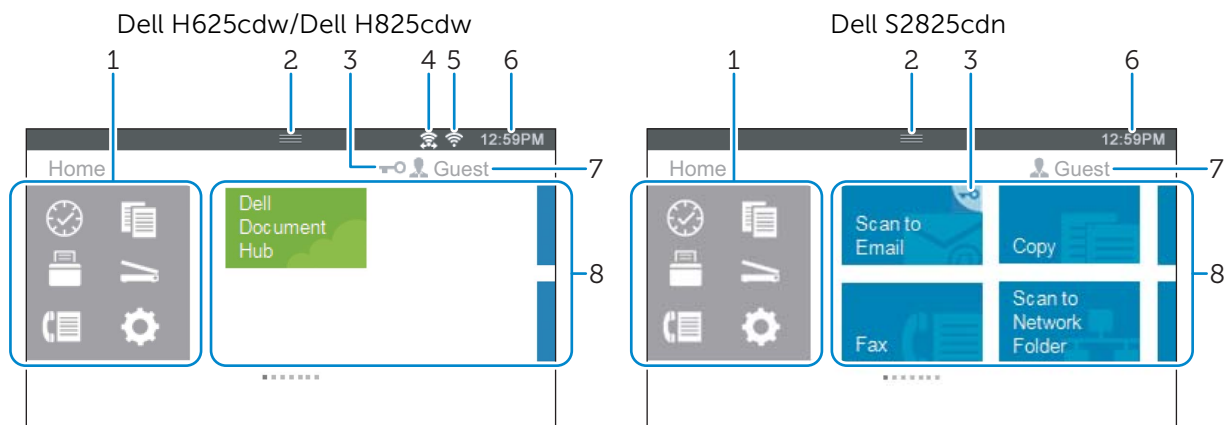
- The screenshots used in this section are those of Dell H625cdw and Dell H825cdw unless otherwise mentioned.

About the Home Screen


This section describes the fields and buttons on the Home screen which is displayed by pressing the **Home** button while the user is logged in to the printer.

NOTE:


- To display the Home screen, register at the portal screen beforehand and log in to the printer, or log in as a Guest without registration. See "User Authentication."
- Dell Document Hub is available on Dell H625cdw and Dell H825cdw only.
- Wi-Fi Direct Connection Status Icon and Wireless LAN Connection Status Icon are displayed on Dell H625cdw and Dell H825cdw only.




1 Dock Menu

 (Recent) Button


Displays the tiles of the functions you recently used. Up to 8 tiles can be stored.

 (Copy) Button


Displays the tiles of the copy functions.

 (Print) Button


Displays the tiles of the print functions.

 (Scan) Button



Displays the tiles of the scan functions.

 (Fax) Button

Displays the tile of the fax functions.

 (Tools) Button

Displays the Information screen.

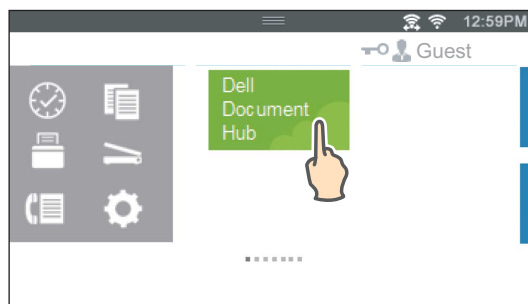
2	Notification Bar	<p>Displays the status of the printer when  (Handle) is dragged down. To close the screen, drag  (Handle) up.</p> <p>You can adjust the screen brightness, check the toner information, monitor the jobs currently in progress, or check warnings in this area.</p> <ul style="list-style-type: none"> • To adjust the screen brightness, drag the slider in <i>Screen Brightness</i>. • To see the <i>Toner Information</i>, tap <i>Supplies</i>. The information of the toner is displayed with one toner at a time. To see the information of other toners, swipe the screen.
3	Lock Icon	<p>Displays when some functions are limited to access by the <i>Functions Control</i> settings. While the Lock icon is displayed on the upper-right of the tile, you are required to enter the password to enable the function. After the function is enabled, the Lock icon is displayed on the left to the account name, and you can access the password-locked functions without re-entering the password.</p> <p>For details about <i>Functions Control</i>, see "Functions Control."</p>
4	Wi-Fi Direct Connection Status Icon	Displays the <i>Wi-Fi Direct</i> connection status. This icon is displayed only when <i>Wi-Fi Direct</i> is enabled.
5	Wireless LAN Connection Status Icon	Displays the intensity of wireless signal when the printer is connected to a wireless network.
6	Time/Network Information	Displays the current time or the network information such as IPv4 address or host name.
7	Account Name	Displays the name of the user currently logged in to the printer.
8	Tiles	<p>Displays the tiles of the functions you can select from.</p> <p>When the tile color is pale and disabled, you cannot select the function.</p>

Basic Operations on the Touch Panel

You can operate the touch panel as with a smartphone or a tablet.

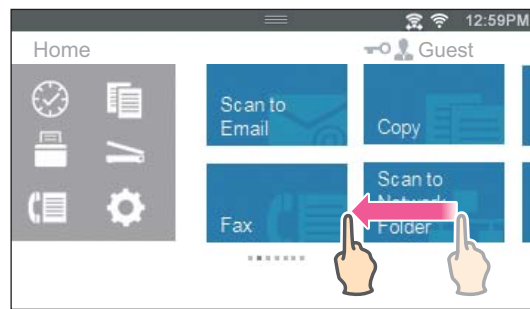
Selecting the Item on the Screen

Tap the item.

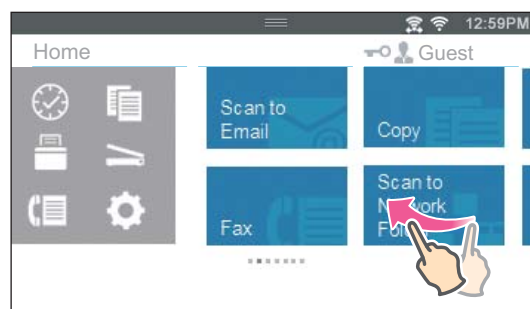


Scrolling the Screen or the Listed Items

Swipe the screen by dragging your finger on the screen.



To scroll faster, flick the screen.



NOTE:

- If you cannot swipe or flick on some screens, interact with the screen by tapping on the tiles or buttons.

Moving, Adding or Deleting Tiles

NOTE:

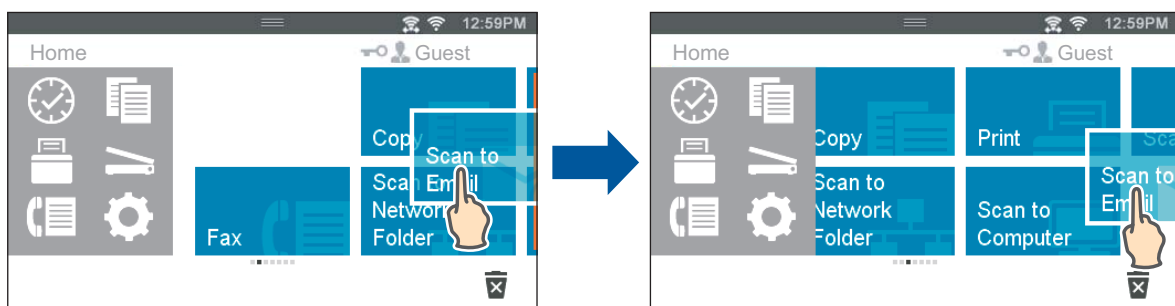
- This is available when you select the local authentication. See "User Authentication."

To Move Tiles

Tap and hold the tile you want to move, and then drag it to the desired place.

The short orange bar appears between the tiles to show the nearest drop point when you are dragging the tile.

You can move the tile between pages as well.



NOTE:

- You cannot move the tiles in the Recent group screen of the Dock menu.



To Add Tiles

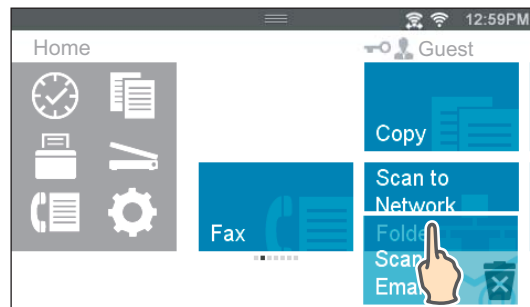
Swipe the screen to display the last page of the Home screen or group screen, and then tap Add App.

When the Apps List screen appears, tap the tile you want to add to the Home screen.

To Delete Tiles


Tap and hold the tile you want to delete.

When  appears, drag the tile to .



Tap OK to delete the tile.

NOTE:







- To delete all tiles in the Recent group screen of the Dock Menu, tap  in the Recent group screen, and then tap OK.

Using the Keyboard Displayed on the Touch Panel

During operations, a keyboard for entering text sometimes appears. The following describes how to enter text.



You can enter the following characters:



Item	Description
Entering alphabets	To enter uppercase letters, tap  . To return to the lowercase letters, tap  again. To lock to the uppercase letters, double-tap  .
Entering numbers and symbols	Tap  .
Entering a space	Tap  .
Deleting characters	Tap  to delete one character at a time.

To Change the Keyboard Layout

- 1 Press the  (Information) button.

- 2 Tap the **Tools** tab → **Language Settings** → **Keyboard Layout**.
- 3 Tap the desired keyboard layout, and then tap **OK**.

Changing the Language

- 1 Press the  (**Information**) button.
- 2 Tap the **Tools** tab → **Language Settings** → **Panel Language**.
- 3 Tap  until the desired language appears, and then tap the desired language.
- 4 Tap **OK**.



Panel Lock

The **Panel Lock** feature allows some system settings to be kept in a locked state with the password so that unauthorized personnel cannot access to the menu to change the settings.


NOTE:

- Disabling the operator panel menus does not prevent access to the stored print and **Tray Settings** menus.

Enabling the Panel Lock


- 1 Press the  (**Information**) button.
- 2 Tap the **Tools** tab → **Admin Settings**.
- 3 Tap  until **Secure Settings** appears, and then tap **Secure Settings**.
- 4 Tap **Panel Lock** → **Panel Lock Control** → **Enable** → **OK**.
- 5 Enter the new password, and then tap **OK**.
- 6 Re-enter the password, and then tap **OK**.

CAUTION:

- **Make sure not to forget the password. If you forget the password, the following procedure allows you to reset the password. However, the settings for the address book and phone book will be reset as well.**
 - 1 Turn off the printer.
 - 2 While holding the  (**Information**) button, turn on the printer.



Changing the Panel Lock Password

NOTE:

- You can change the password only when **Panel Lock** is set to **Enable**.
- 1 Press the  (**Information**) button.
 - 2 Tap the **Tools** tab → **Admin Settings**.
 - 3 Enter the password.
 - 4 Tap until **Secure Settings** appears, and then tap **Secure Settings**.
 - 5 Tap **Panel Lock** → **Change Password**.
 - 6 Enter the current password, and then tap **OK**.


- 7 Enter the new password, and then tap OK.
- 8 Re-enter the password, and then tap OK.

Disabling the Panel Lock

- 1 Press the  (**Information**) button.
- 2 Tap the **Tools** tab → **Admin Settings**.
- 3 Enter the password.
- 4 Tap  until **Secure Settings** appears, and then tap **Secure Settings**.
- 5 Tap **Panel Lock** → **Panel Lock Control** → **Disable** → OK.
- 6 Enter the current password, and then tap OK.




Setting the Power Saver Timer

The printer enters the power saver mode when the printer is not used for a certain period of time. You can set the **Power Saver Timer** for the printer on the operator panel.

- 1 Press the  (**Information**) button.
- 2 Tap the **Tools** tab → **Admin Settings** → **System Settings** → **General** → **Power Saver Timer**.
If **Panel Lock Control** is set to **Enable**, enter the password. See "Panel Lock."
- 3 Tap **Sleep** or **Deep Sleep**.
- 4 Tap **-** or **+**, or use the number pad to enter the desired value.
You can specify from 1 to 50 minutes for **Sleep** or 1 to 10 minutes for **Deep Sleep**.
- 5 Tap OK.

About the Concurrent Jobs Feature

This feature enables you to start a concurrent job while a fax job is running. This is done by temporarily displaying the **Home** screen and switching to a different function that can be run concurrently such as copy or scan.

- 1 While the printer is sending or receiving a fax, press the  (**Home**) button.
- 2 Tap  → **Copy**.
Or
Tap  → **Scan**.
- 3 Change the copy or scan settings.
For details about the settings, see "Copying" or "Scanning."
- 4 Tap OK.

Understanding the System Menus

The system menus are configured by `Information`, `Supplies`, and `Tools` tabs, accessible by pressing the ⓘ (**Information**) button on the operator panel.

You can limit the access to the some menus by setting the password.

This prevents other users from using the operator panel to inadvertently change the settings. See "Panel Lock."

Report / List

Use the `Report / List` menu to print various types of reports and lists.

To display the `Report / List` menu, press the ⓘ (**Information**) button, and then tap the `Information` tab.

■ `Report / List` >

System Settings

Prints a list of the current user default values, the installed options, the amount of installed print memory, and the status of printer supplies.

■ `Report / List` >

Panel Settings

Prints a detailed list of all the settings of the printer menus.

■ `Report / List` >

PCL Fonts List

Prints a sample of the available Printer Control Language (PCL) fonts.

■ `Report / List` >

PCL Macros List

Prints the information on the downloaded PCL macro.

■ `Report / List` >

PS Fonts List

Prints a sample of the available PostScript (PS) fonts.

■ `Report / List` >

PDF Fonts List

Prints a sample of the available PDF fonts.

■ `Report / List` >

Job History

Prints a detailed list of the print, copy, fax, or scan jobs that have been processed. This list contains the last 20 jobs.

■ [Report / List >](#)

Error History

Prints a detailed list of paper jams and fatal errors.

■ [Report / List >](#)

Print Meter

Prints the reports for the total number of pages printed.

■ [Report / List >](#)

Color Test Page

Prints a page for testing colors.

■ [Report / List >](#)

Protocol Monitor

Prints a detailed list of monitored protocols.

■ [Report / List >](#)

Speed Dial

Prints the list of all members stored as speed dial numbers.

■ [Report / List >](#)

Address Book

Prints the list of all addresses stored as address book information.

■ [Report / List >](#)

Server Address

Prints the list of all members stored as server address information.

■ [Report / List >](#)

Fax Activity

Prints the report of faxes you recently received or sent.

■ [Report / List >](#)

Fax Pending

Prints the list of status of pending faxes.

■ [Report / List >](#)



Stored Documents

Prints a list of all files stored for Secure Print, Private Mailbox, Public Mailbox, and Proof Print in the RAM disk.

NOTE:

- Stored Documents feature is available only when RAM Disk in General under System Settings is enabled.

Printing a Report / List


- 1 Press the  (**Information**) button.
- 2 Tap **Report / List**.
- 3 Tap  until the desired report or list appears, and then select that report or list.
- 4 Tap **Print**.

Wi-Fi | WPS

NOTE:

- Wi-Fi Direct is available on Dell H625cdw and Dell H825cdw.

Use the **Wi-Fi | WPS** menu to confirm or specify wireless network settings or connections.

To display the **Wi-Fi | WPS** menu, press the  (**Information**) button, and then tap the **Information** tab.

■ **Wi-Fi | WPS >**

Wi-Fi

Use the **Wi-Fi** menu to confirm or specify wireless network settings. For details, see "Wi-Fi."

■ **Wi-Fi | WPS >**

Wi-Fi Direct

Use the **Wi-Fi Direct** menu to confirm or specify Wi-Fi Direct network settings. For details, see "Wi-Fi Direct."

■ **Wi-Fi | WPS >**

WPS (Connect via PBC)

Use **WPS (Connect via PBC)** menu to start configurations of the Wi-Fi Direct network with WPS-PBC. For details, see "WPS Setup."

■ **Wi-Fi | WPS >**

WPS (Connect via PIN)

Use **WPS (Connect via PIN)** menu to start configurations of the Wi-Fi Direct network with WPS-PIN. For details, see "WPS Setup."

Paired Device

NOTE:

- Wi-Fi Direct is available on Dell H625cdw and Dell H825cdw.

Use the **Paired Device** menu to confirm the device name in the **Paired Device** list, if there is any device connected to the printer via Wi-Fi Direct.

You can disconnect the paired device. For details, see "Disconnecting Wi-Fi Direct Network."

Admin Settings

Each feature of the printer is set to the factory default settings.

Use the **Admin Settings** menu to customize the settings in accordance with the setting environment, or your preferences.

To display the **Admin Settings** menu, press the **i** (**Information**) button, and then tap the **Tools** tab.

■ **Admin Settings >**

Phone Book

Use the **Phone Book** menu to configure the speed dial and group dial settings.

■ **Admin Settings > Phone Book >**

Individuals

Stores up to 200 frequently dialed numbers in speed dial locations.

■ **Admin Settings > Phone Book >**

Groups

Creates a group of fax destinations and register it under a two-digit dial code. Up to six group dial codes can be registered.

■ **Admin Settings >**

PCL

Use the **PCL** menu to change printer settings that only affect jobs using the Printer Control Language (PCL) emulation printer language.

■ **Admin Settings > PCL >**

Paper Tray

Specifies the default paper tray.

■ **Admin Settings > PCL >**

Paper Size

Specifies the default paper size.

NOTE:

- Selecting a custom size for the paper size prompts you to enter a custom length and width.

■ **Admin Settings > PCL >**

Orientation

Specifies how text and graphics are oriented on the page.

Portrait	Prints text and graphics parallel to the short edge of the paper.
Landscape	Prints text and graphics parallel to the long edge of the paper.

■ **Admin Settings > PCL >**

2 Sided Print

Specifies whether to print on one side or both sides of a sheet of print media. For a two-sided printing, you can specify the printout to be bound by the long edge or short edge.

■ Admin Settings > PCL >

Font

Specifies the default font from the fonts registered in the printer.

■ Admin Settings > PCL >

Symbol Set

Specifies a symbol set for a specified font.

■ Admin Settings > PCL >

Font Size

Specifies the font size for scalable typographic fonts. Font size refers to the height of the characters in the font. One point equals approximately 1/72 of an inch (approximately 0.35 mm).

NOTE:

- The `Font Size` menu is only displayed for typographic fonts.

■ Admin Settings > PCL >

Font Pitch

Specifies the font pitch for scalable mono spaced fonts. Font pitch refers to the number of fixed-space characters in a horizontal inch of type. For non-scalable mono spaced fonts, the pitch is displayed, but cannot be changed.

NOTE:

- The `Font Pitch` menu is only displayed for fixed or mono spaced fonts.

■ Admin Settings > PCL >

Form Line

Sets the number of lines in a page. The printer sets the amount of space between two vertical lines based on the `Form Line` and `Orientation` menu items. You can select the correct `Form Line` and `Orientation` before changing `Form Line`.

■ Admin Settings > PCL >

Quantity

Sets the default print quantity. Set the number of copies required for a specific job from the print driver. Values selected from the print driver always override values selected from the operator panel.

■ Admin Settings > PCL >

Image Enhance

Specifies whether to enable the Image Enhance feature, which makes the boundary line between black and white smoother to decrease jagged edges and enhance the visual appearance.

■ Admin Settings > PCL >

Hex Dump

Specifies whether to enable the Hex Dump feature, which helps to isolate the source of a print job problem. With Hex Dump selected, all data sent to the printer is printed in hexadecimal and character representation. Control codes are not executed.

■ Admin Settings > PCL >

Draft Mode

Specifies whether to enable the Draft Mode feature, which saves toner by printing in the Draft Mode. The print quality is reduced when printing in the Draft Mode.

■ Admin Settings > PCL >

Line Termination

Adds the line termination commands.

Off	The line termination command is not added. CR=CR, LF=LF, FF=FF
Add-LF	The LF command is added. CR=CR-LF, LF=LF, FF=FF
Add-CR	The CR command is added. CR=CR, LF=CR-LF, FF=CR-FF
CR-XX	The CR and LF commands are added. CR=CR-LF, LF=CR-LF, FF=CR-FF

■ Admin Settings > PCL >

Default Color

Specifies the color mode. This setting is used for a print job that does not specify a Print Mode.

■ Admin Settings > PCL >

Ignore Form Feed

Specifies whether to enable the Ignore Form Feed feature, which ignores blank pages that only contain form feed control codes.

■ Admin Settings >

PS

Use the PS (PostScript) menu to change printer settings that only affect jobs using the PostScript 3 Compatible emulation printer language.

■ Admin Settings > PS >

PS Error Report

Specifies whether to enable the PS Error Report feature, which specifies the contents of the errors concerning PostScript 3 Compatible page description language are printed.

The change becomes effective after the printer is turned off and then on again.

NOTE:

- Instructions from the PS driver override the settings specified on the operator panel.

■ Admin Settings > PS >

PS Job Time-out

Specifies whether to enable the PS feature, which specifies the execution time for one PostScript 3 Compatible job. The change becomes effective after the printer is turned off and then on again.

■ Admin Settings > PS >

Paper Select Mode

Specifies the way to select the tray for PostScript 3 Compatible mode. The change becomes effective after the printer is turned off and then on again.

Auto	The tray is selected as the same setting as in the PCL mode.
Select From Tray	The tray is selected in a method compatible with regular PostScript 3 Compatible printers.

■ Admin Settings > PS >

Default Color

Specifies the color mode to `Color` or `Black`. This setting is used for a print job which does not specify a Print Mode.

■ Admin Settings >

PDF

Use the `PDF` menu to change printer settings that only affect the PDF jobs.

■ Admin Settings > PDF >

Quantity

Specifies the number of copies to print.

■ Admin Settings > PDF >

2 Sided Print

Specifies whether to print on one side or both sides of a sheet of print media. For a two-sided printing, you can specify the printout to be bound by the long edge or short edge.

■ Admin Settings > PDF >

Print Mode

Specifies the Print Mode.

Normal	For documents with normal sized characters.
High Quality	For documents with small characters or thin lines, or documents printed using a dot-matrix printer.
High Speed	Prints with the higher speed than the Normal mode, but the quality is less.

■ Admin Settings > PDF >

PDF Password

Specifies the password to print a PDF file secured with a password to open the PDF file.

■ Admin Settings > PDF >

Collation

Specifies whether to sort the PDF job.

■ Admin Settings > PDF >

Output Size

Specifies the output paper size for the PDF file.

■ Admin Settings > PDF >

Layout

Specifies the output layout.

Auto %	Prints the document in the layout specified by the printer.
100% (No Zoom)	Prints in the same size as the document.
Booklet	Prints on both sides of a sheet of paper bound by the edge.
2 Pages Up	Prints two pages on one side of a sheet of paper.
4 Pages Up	Prints four pages on one side of a sheet of paper.

■ Admin Settings > PDF >

Default Color

Specifies the default output color.

■ Admin Settings > PDF >

Detect Job Separator

Specifies whether to detect the end of the job in printing PDF files successively.

■ Admin Settings >

Network

Use the **Network** menu to change the printer settings affecting jobs sent to the printer through the wired or wireless network.

■ Admin Settings > Network >

Wi-Fi

NOTE:

- When the Ethernet cable is disconnected, the **Wi-Fi | WPS** menu is available.
- Wireless network is available on Dell H625cdw and Dell H825cdw.

Checks or specifies wireless network settings.

■ Admin Settings > Network > Wi-Fi >

Wi-Fi

NOTE:

- Wireless network is available on Dell H625cdw and Dell H825cdw.

Specifies whether to enable the Wi-Fi feature.

■ Admin Settings > Network > Wi-Fi >

Wi-Fi Status

NOTE:

- Wi-Fi Status setting is available only when the printer is connected using the wireless network.
- Wireless network is available on Dell H625cdw and Dell H825cdw.

Status	Displays the wireless communication status.
SSID	Displays the name that identifies the wireless network.

Encryption Type	Displays the encryption type.
------------------------	-------------------------------

■ Admin Settings > Network > **Wi-Fi**>

Wi-Fi Setup Wizard

NOTE:

- Wi-Fi Setup Wizard is available only when the printer is connected using the wireless network.
- Wireless network is available on Dell H625cdw and Dell H825cdw.

Configures the wireless network interface.

■ Admin Settings > Network > Wi-Fi > **Wi-Fi Setup Wizard** >

Select access point

Selects the access point from the list.

WEP Key	When you select an access point using WEP as the encryption type, enter the WEP key.
PassPhrase	When you select an access point using WPA, WPA2, or Mixed as the encryption type, enter the passphrase.

■ Admin Settings > Network > Wi-Fi > **Wi-Fi Setup Wizard** >

Manual SSID Setup

Configures the wireless settings using the operator panel manually.

■ Admin Settings > Network > Wi-Fi > Wi-Fi Setup Wizard > **Manual SSID Setup** >

SSID

Specifies a name to identify the wireless network. Up to 32 alphanumeric characters can be entered.

■ Admin Settings > Network > Wi-Fi > Wi-Fi Setup Wizard > Manual SSID Setup > **SSID** >

Infrastructure

Selects when you configure the wireless setting through the access point such as a wireless.

No Security	Specifies No Security to configure the wireless setting without specifying an encryption type from WEP and WPA-PSK-AES.
Mixed mode PSK	Selects to configure the wireless setting with the encryption type of Mixed mode PSK. Mixed mode PSK automatically selects the encryption type from either WPA-PSK-AES or WPA2-PSK-AES.
Passphrase	Specifies the passphrase of alphanumeric characters from 8 to 63 bytes long, and the hexadecimal characters of 64 bytes long.
WPA2-PSK-AES	Selects to configure the wireless setting with the encryption type of WPA2-PSK-AES.
Passphrase	Specifies the passphrase of alphanumeric characters from 8 to 63 bytes long, and the hexadecimal characters of 64 bytes long. (hex: 0-9, a-f, A-F, 16 to 64 characters)
WEP	Specifies the WEP key to use through the wireless network. For 64bit keys, up to 10 hexadecimal characters can be entered. For 128bit keys, up to 26 hexadecimal characters can be entered.
Transmit Key	Specifies the transmit key from Auto and WEP Key 1 - 4 .

■ Admin Settings > Network > Wi-Fi > Wi-Fi Setup Wizard > Manual SSID Setup > **SSID** >

Ad-hoc

Selects to configure the wireless setting without the access point such as a wireless router.

No Security	Configures the wireless setting without specifying the encryption type from WEP.
WEP	Specifies the WEP key to use through the wireless network. For 64bit keys, up to 10 hexadecimal characters can be entered. For 128bit keys, up to 26 hexadecimal characters can be entered.
Transmit Key	Specifies the transmit key from WEP Key 1 - 4 .

■ Admin Settings > Network > **Wi-Fi** >

WPS Setup



NOTE:

- WPS Setup is available only when the printer is connected using the wireless network.
- WPS Setup is available on Dell H625cdw and Dell H825cdw.

Configures the wireless network using WPS.

Push Button Configuration	Configures the wireless setting with Wi-Fi Protected Setup-Push Button Configuration (WPS-PBC) .
PIN Code	Configures the wireless setting using the PIN code assigned by the printer. You can also print the PIN code. Check it when entering PIN assigned to the printer into your computer.

■ Admin Settings > Network > **Wi-Fi** >

IP Mode

Configures the IP mode.

Dual Stack	Uses both IPv4 and IPv6 to set the IP address.
IPv4 Mode	Uses IPv4 to set the IP address.
IPv6 Mode	Uses IPv6 to set the IP address.

■ Admin Settings > Network > **Wi-Fi** >

TCP/IP

Configures TCP/IP settings.

Get IP Address	AutoIP	Sets the IP address automatically. A random value in the range of 169.254.1.0 to 169.254.254.255 that is not currently in use on the network is set as the IP address. The subnet mask is set as 255.255.0.0.
	BOOTP	Sets the IP address using BOOTP.
	RARP	Sets the IP address using RARP.
	DHCP	Sets the IP address using DHCP.
	Panel	Use this option when you want to set the IP address manually on the operator panel.
IP Address		When an IP address is being set manually, the IP is allocated to the printer using the format nnn.nnn.nnn.nnn. Each octet that makes up nnn.nnn.nnn.nnn is a value in the range of 0 to 254. 127 and any value in the range of 224 to 254 cannot be specified for the first octet of a gateway address.

Subnet Mask	When an IP address is being set manually, the subnet mask is specified using the format nnn.nnn.nnn.nnn. Each octet that makes up nnn.nnn.nnn.nnn is a value in the range of 0 to 255. 255.255.255 cannot be specified as the subnet mask.
Gateway Address	When an IP address is being set manually, the gateway address is specified using the format nnn.nnn.nnn.nnn. Each octet that makes up nnn.nnn.nnn.nnn is a value in the range of 0 to 254. 127 and any value in the range of 224 to 254 cannot be specified for the first octet of a gateway address.

Admin Settings > Network > **Wi-Fi** >

IPsec

NOTE:

- IPsec is displayed only when **IPsec** is enabled on Dell Printer Configuration Web Tool.

Disables IPsec.

Admin Settings > Network > **Wi-Fi** >

Reset Wi-Fi

NOTE:

- Reset Wi-Fi setting is available only when the printer is connected to the wireless network.
- Wireless network is available on Dell H625cdw and Dell H825cdw.

Initializes wireless network settings. After executing this setting and restarting the printer, all wireless network settings are reset to their default values.

Admin Settings > **Network** >

Wi-Fi Direct

NOTE:

- When the Ethernet cable is connected, or **Wi-Fi** is set to **Off**, **Wi-Fi Direct** is disabled.
- Wi-Fi Direct is available on Dell H625cdw and Dell H825cdw.

Configures the Wi-Fi Direct network settings.

Wi-Fi Direct	Enables or disables the Wi-Fi Direct network.	
Group Role	Auto	Automatically resolves the group role for Wi-Fi Direct.
	Group Owner	Sets the printer as the Group Owner when using Wi-Fi Direct. Setting the printer to become the group owner makes it possible for mobile devices to discover the printer. The SSID of the printer is displayed in the list of wireless networks on your mobile device.
Device Name	Specifies the printer name that identifies the Wi-Fi Direct network with up to 32 alphanumeric characters. Check it when selecting the printer name on your mobile device.	

Paired Device		Displays the status of the Wi-Fi Direct connections between the printer and up to 3 Wi-Fi mobile devices.
	Disconnect All	Disconnect now Disconnects all the Wi-Fi Direct connections right now.
		Disconnect and Reset Passphrase Disconnects the Wi-Fi Direct connections and resets the passphrase.
SSID		Displays the name that identifies the Wi-Fi Direct network. You can also specify the name with up to 32 alphanumeric characters. "DIRECT-XX" cannot be changed. Check it when selecting the Wi-Fi Direct network name on your mobile device.
Passphrase		Displays the passphrase. Check it when entering the passphrase into your mobile device.
	Print Passphrase	Prints the passphrase. Check it when entering the passphrase into your mobile device.
	Reset Passphrase	Resets the passphrase.
WPS Setup		Configures the Wi-Fi Direct network using WPS.
	Push Button Configuration	Configures the Wi-Fi Direct network with Wi-Fi Protected Setup-Push Button Configuration (WPS-PBC).
	PIN Code	Configures the Wi-Fi Direct network using PIN code assigned by the printer.
		Print PIN Code Prints the PIN code. Check it when entering PIN assigned to the printer into your mobile device.
		Reset Code Resets the PIN code.

■ Admin Settings > Network >

Ethernet

NOTE:

- When using a wired network, the Wi-Fi | WPS menu is not available.

Checks or specifies wired network settings.

■ Admin Settings > Network > Ethernet >

IP Mode

Configures the IP mode.

Dual Stack	Uses both IPv4 and IPv6 to set the IP address.
IPv4 Mode	Uses IPv4 to set the IP address.
IPv6 Mode	Uses IPv6 to set the IP address.

■ Admin Settings > Network > Ethernet >

TCP/IP

Configures TCP/IP settings.

Get IP Address	AutoIP	Sets the IP address automatically. A random value in the range of 169.254.1.0 to 169.254.254.255 that is not currently in use on the network is set as the IP address. The subnet mask is set as 255.255.0.0.
	BOOTP	Sets the IP address using BOOTP.
	RARP	Sets the IP address using RARP.
	DHCP	Sets the IP address using DHCP.
	Panel	Use this option when you want to set the IP address manually on the operator panel.
IP Address	When an IP address is being set manually, the IP is allocated to the printer using the format nnn.nnn.nnn.nnn. Each octet that makes up nnn.nnn.nnn.nnn is a value in the range of 0 to 254. 127 and any value in the range of 224 to 254 cannot be specified for the first octet of a gateway address.	
Subnet Mask	When an IP address is being set manually, the subnet mask is specified using the format nnn.nnn.nnn.nnn. Each octet that makes up nnn.nnn.nnn.nnn is a value in the range of 0 to 255. 255.255.255.255 cannot be specified as the subnet mask.	
Gateway Address	When an IP address is being set manually, the gateway address is specified using the format nnn.nnn.nnn.nnn. Each octet that makes up nnn.nnn.nnn.nnn is a value in the range of 0 to 254. 127 and any value in the range of 224 to 254 cannot be specified for the first octet of a gateway address.	

■ Admin Settings > Network > **Ethernet** >

IPsec

NOTE:

- IPsec is displayed only when IPsec is enabled on Dell Printer Configuration Web Tool.

Disables IPsec.

■ Admin Settings > Network > **Ethernet** >

Connection Speed

NOTE:

- The Connection Speed setting is available only when the printer is connected to the wired network.

Specifies the communication speed and the duplex settings of Ethernet. The change becomes effective after the printer is turned off and then on again.

Auto
10BASE-T Half
10BASE-T Full
100BASE-TX Half
100BASE-TX Full
1000BASE-T Full

Protocols

Enables or disables each protocol. The change becomes effective after the printer is turned off and then on again.

LPD
Port9100
FTP
IPP
SMB TCP/IP
WSD Print ^{*1}
WSD Scan
Network TWAIN
SNMP UDP ^{*2}
E-mail Alert
Dell Printer Configuration Web Tool
Bonjour(mDNS)
Telnet
Update Address Book
HTTP-SSL/TLS
Google Cloud Print
Print from Widget Apps
Scan to Widget Apps

*1 Stands for Web Services on Devices

*2 Stands for Simple Network Management Protocol

Advanced Settings

Specifies advanced network settings.

IP Filter

Specifies whether to enable the IP filter feature, which only allows communication with devices whose IP addresses are registered in the printer.

 **NOTE:**

- This feature does not apply to communication via Wi-Fi Direct.

IPv4 - Filter	Enables or disables IPv4 - Filter.
IPv6 - Filter	Enables or disables IPv6 - Filter.

IEEE 802.1x

 **NOTE:**

- IEEE 802.1x is displayed only when the printer is connected using Ethernet cable and it is available only when the IEEE 802.1x authentication is enabled.

Disables IEEE 802.1x authentication. The change becomes effective after the printer is turned off and then on again.

■ Admin Settings > Network > **Advanced Settings >**

PS Data Format

Specifies PostScript 3 Compatible communication protocol for a parallel interface, you can configure the `PS Data Format` settings for the wired network. The change becomes effective after the printer is turned off and then on again.

Auto	Used when auto-detecting the PostScript 3 Compatible communication protocol.
Standard	Used when the communication protocol is in ASCII interface.
BCP	Used when the communication protocol is in binary format.
TBCP	Used when the communication protocol supports both ASCII and binary data to switch between them according to the specified control code.
Binary	Used when no special processing is required for data.

■ Admin Settings > **Network >**

Reset LAN

Initializes wired network data stored in non-volatile memory (NVM). After executing this setting and restarting the printer, all wired network settings are reset to their default values.

■ Admin Settings > **Network >**

Delete All Certificates

Deletes all certificates of the printer. After executing this setting and restarting the printer, all certificates are deleted.

■ Admin Settings >

Fax Settings

Use the `Fax Settings` menu to configure the basic fax settings.

■ Admin Settings > **Fax Settings >**

Fax Line Settings

Configures basic settings for the fax line.

■ Admin Settings > Fax Settings > **Fax Line Settings >**

Fax Number

Sets the fax number of the printer to be printed on the header of a fax message.

NOTE:

- Make sure to specify `Fax Number` before using `Junk Fax Setup`.

■ Admin Settings > Fax Settings > **Fax Line Settings >**

Country

Selects the country where the printer is used.

■ Admin Settings > Fax Settings > **Fax Line Settings >**

Fax Header Name

Sets the sender name to be printed on the header on faxes.

■ Admin Settings > Fax Settings > **Fax Line Settings > Line Type**

Specifies the default line type to PSTN or PBX.

■ Admin Settings > Fax Settings > **Fax Line Settings > Line Monitor**

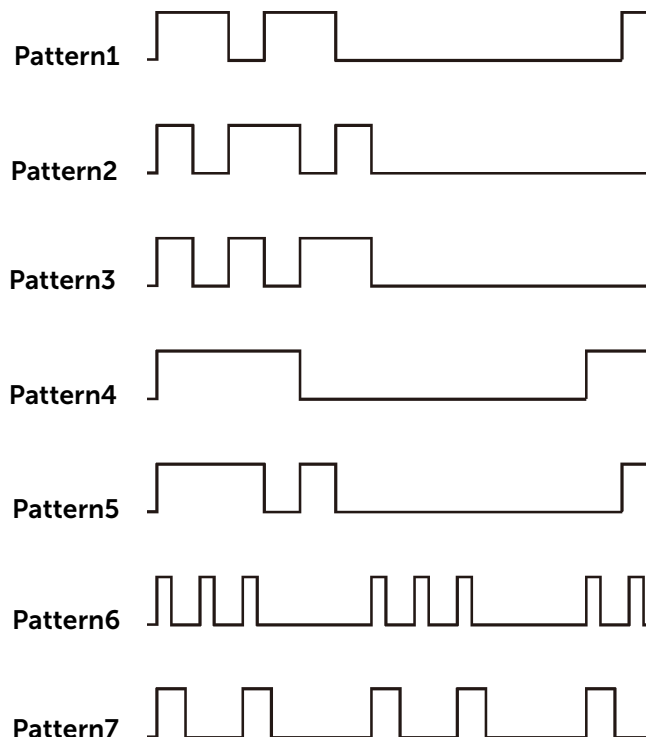
Specifies whether to enable the Line Monitor setting. Set the volume of the line monitor, which audibly monitors a transmission through the internal speaker until a connection is made.

■ Admin Settings > Fax Settings > **Fax Line Settings > DRPD Pattern**

Provides a separate number for faxing with a distinctive ring pattern.

Pattern1–7

Distinctive Ring Pattern Detection (DRPD) is a service provided by some telephone companies. DRPD Patterns are specified by your telephone company. The following shows the patterns provided with the printer.



Ask your telephone company which pattern you need to select to use this service. For example, Pattern7 is the New Zealand FaxAbility distinctive ringing pattern: rings for 400 ms, stops for 800 ms, rings for 400 ms and stops for 1400 ms. This pattern is repeated over and over again. This printer only responds to Distinctive Alert cadence(s) DA4 in New Zealand.

■ Admin Settings > **Fax Settings > Incoming Defaults**

Configures settings for incoming fax.

■ Admin Settings > Fax Settings > **Incoming Defaults >**

Receive Mode

Selects the default fax receiving mode.

Telephone	Automatic fax reception is turned off. You can receive a fax by picking up the handset of the external telephone and then pressing the remote receive code, or by tapping Manual Receive in On Hook and then tapping Receive .
Fax	Automatically receives faxes.
Telephone / Fax	When the printer receives an incoming fax, the external telephone rings for the time specified in Auto Receive Tel/Fax , and then the printer starts receiving the fax. If an incoming call is not a fax, the printer beeps from the internal speaker indicating that the call is a telephone call.
Ans Machine/Fax	This mode is intended for use with an answering machine. When the answering machine receives the call, the printer monitors the call for fax tones. When the printer detects fax tones, the printer automatically receives the fax. When the answering machine is off, the printer goes into the Fax mode after the ring tone sounds for a predefined time. If the phone communication in your country is serial, this mode is not supported.
DRPD	Before using the Distinctive Ring Pattern Detection (DRPD) option, a distinctive ring service must be installed on your telephone line by the telephone company. After the telephone company has provided a separate number for faxing with a distinctive ring pattern, configure the fax setup to monitor for that specific ring pattern.

■ Admin Settings > Fax Settings > **Incoming Defaults >**

Ring Tone Volume

Specifies whether to enable the Ring Tone Volume setting. Set the volume of the ring tone, which indicates that an incoming call is a telephone call through the internal speaker when **Receive Mode** is set to **Telephone / Fax**.

■ Admin Settings > Fax Settings > **Incoming Defaults >**

Auto Receive Setup

Configures settings for automatic fax reception.

Auto Receive Fax	Sets the interval at which the printer goes into the fax receive mode after receiving an incoming call.
Auto Receive Tel/Fax	Sets the interval at which the printer goes into the fax receive mode after the external telephone receives an incoming call.
Auto Receive Ans/Fax	Sets the interval at which the printer goes into the fax receive mode after the external answering machine receives an incoming call.

■ Admin Settings > Fax Settings > **Incoming Defaults >**

Junk Fax Setup

Specifies whether to enable the Junk Fax Setup feature, which rejects unwanted faxes by accepting faxes only from the fax numbers registered in the phone book.

■ Admin Settings > Fax Settings > **Incoming Defaults >**

Secure Receive

 **NOTE:**

- The Secure Receive feature is available only when **Panel Lock Control** is set to **Enable**.

Specifies whether to require a password to print received faxes, and to set or change the password.

Secure Receive Set	Sets to require a password to print received faxes.
Change Password*	Sets or changes the four-digit password required to print received faxes.

* This item is available only when **Secure Receive Set** is set to **Enable**.

■ Admin Settings > Fax Settings > Incoming Defaults >

Received Fax Forward

Sets whether to forward incoming faxes to a specified destination.

Off	
Forward	Forwards incoming faxes to a specified destination. Prints incoming faxes if an error occurs during the transfer.
Forwarding Number	Specifies the fax number of the destination to which incoming faxes are forwarded.
Print and Forward	Prints incoming faxes and also forwards them to a specified destination.
Forwarding Number	Specifies the fax number of the destination to which incoming faxes are forwarded.
Forward to Email^{*1,2,3}	Forwards incoming faxes to specified e-mail addresses. Prints incoming faxes if an error occurs during the transfer.
Print and Forward to E-mail^{*2,3}	Prints incoming faxes and also forwards them to a specified e-mail address.
Forward to Server	Forwards incoming faxes to a specified server address. Prints incoming faxes if an error occurs during the transfer.
Print and Forward to Server	Prints incoming faxes and also forwards them to a specified server address.

^{*1} Depending on the e-mail server settings, the printer may not get an error which occurs during the transfer.

^{*2} This item is available only when the **E-Mail Server** information is registered. See "E-Mail Server."

^{*3} This item is available only when **Forwarding E-mail Address** is registered. See "Fax Settings."

■ Admin Settings > Fax Settings > Incoming Defaults >

2 Sided Print

Specifies whether to enable the 2 Sided Print feature, which sets the duplex printing for fax.

NOTE:

- Duplex print may not be done depending on the size of the received faxes or settings of the trays, etc.

■ Admin Settings > Fax Settings > Incoming Defaults >

Remote Receive

Specifies whether to enable the Remote Receive feature, which receives a fax by pressing a remote receive code on the external telephone after picking up the handset of the telephone. You can specify the tone in two digits to start **Remote Receive**.

■ Admin Settings > Fax Settings > **Incoming Defaults >**

Discard Size

Specifies whether to enable the Discard Size feature, which sets the printer to discard images or any text at the bottom of a fax page when the entire page does not fit the output paper. You can also set to automatically reduce a fax page to fit it onto the appropriate paper size.

■ Admin Settings > **Fax Settings >**

Transmission Defaults

Configures settings for transmitting fax.

■ Admin Settings > Fax Settings > **Transmission Defaults >**

Auto Redial Setup

Configures settings for automatic redial.

Redial Attempts	Sets the number of redial attempts to make when the destination fax number is busy. If you enter 0, the printer does not redial.
Interval of Redial	Sets the interval between redial attempts.
Resend Delay	Sets the interval between re-send attempts.

■ Admin Settings > Fax Settings > **Transmission Defaults >**

Tone / Pulse

Selects the dialing type.

Tone	Uses tone dialing.
Pulse(10PPS)	Sets dial pulse, 10 pulse per second as the dial type.
Pulse(20PPS)	Sets dial pulse, 20 pulse per second as the dial type.

■ Admin Settings > Fax Settings > **Transmission Defaults >**

Prefix Dial

Specifies whether to enable the Prefix Dial feature, which sets a prefix dial number. You can set a prefix dial number of up to five digits. This number dials before any auto dial number is started. It is useful for accessing the Private Automatic Branch Exchange (PABX).

■ Admin Settings > Fax Settings > **Transmission Defaults >**

Fax Cover Page

Specifies whether to enable the Fax Cover Page feature, which sets to attach a cover page to faxes.

■ Admin Settings > Fax Settings > **Transmission Defaults >**

Fax Header

Specifies whether to enable the Fax Header feature, which prints the sender information on the header of the faxes.

NOTE:

- If `United States` is selected for the setting of `Country`, this option does not appear on the menu. The setting is fixed to `On` and cannot be changed. See "Specifying the Fax Initial Settings Using the Operator Panel."

■ Admin Settings > Fax Settings > **Transmission Defaults >**
ECM

Specifies whether to enable the ECM (Error Correction Mode) feature. To use the ECM, the remote machines must also support the ECM.

■ Admin Settings > Fax Settings > **Transmission Defaults >**
Modem Speed

Adjusts the fax modem speed when a fax transmission or reception error occurs.

■ Admin Settings > Fax Settings > **Transmission Defaults >**
Display Manual Fax Recipients

Specifies whether to enable the Display Manual Fax Recipients feature, which displays the fax number of the recipient on the `Sending Fax` screen when manually sending a fax.

■ Admin Settings > **Fax Settings >**
Fax Reports

Configures settings for fax reports.

■ Admin Settings > Fax Settings > **Fax Reports >**
Fax Activity

Sets whether to automatically print a fax activity report after every 50 incoming and outgoing fax communications.

Auto Print

No Auto Print

■ Admin Settings > Fax Settings > **Fax Reports >**
Fax Transmit

Sets whether to print a transmission result after a fax transmission.

Print Always Prints a transmission report after every fax transmission.

Print On Error Prints a transmission report only when an error occurs.

Print Disable Does not print a transmission report after a fax transmission.

■ Admin Settings > Fax Settings > **Fax Reports >**
Fax Broadcast

Sets whether to print a transmission result after a fax transmission to multiple destinations.

Print Always Prints a transmission report after every fax transmission.

Print On Error Prints a transmission report only when an error occurs.

Print Disable Does not print a transmission report after a fax transmission to multiple destinations.

■ Admin Settings > Fax Settings > **Fax Reports >**
Fax Protocol

Sets whether to print the protocol monitor report, which helps you identify the cause of a communication problem.

Print Always Prints a protocol monitor report after every fax transmission.

Print On Error	Prints the protocol monitor report only when an error occurs.
Print Disable	Does not print the protocol monitor report.

■ Admin Settings >

System Settings

Use **System Settings** to configure the power saving mode, warning tones, time-out duration, display language, and job log auto print settings.

■ Admin Settings > System Settings >

General

Configures general settings for the printer.

■ Admin Settings > System Settings > General >

Power Saver Timer

Specifies the time for transition to power saver mode.

Sleep	Specifies the time taken by the printer to enter the Sleep mode after it finishes a job.
Deep Sleep	Specifies the time taken by the printer to enter the Deep Sleep mode after it has entered Sleep mode.
Power Off Timer	Specifies whether to enable the Power Off Timer and the time taken by the printer to enter the Power Off Timer mode after it has entered the Deep Sleep mode.

 **NOTE:**

- Your printer enters Deep Sleep mode 11 minutes after it finishes a job (the factory default).

When you specify 1 minute for **Sleep**, the printer enters power saver mode 1 minute after it finishes a job. This uses much less energy, but requires more warm-up time for the printer. Specify 1 minute if the printer shares an electrical circuit with room lighting and you notice lights flickering.

Select a high value if the printer is in constant use. In most circumstances, this keeps the printer ready to operate with minimum warm-up time.

Select a medium value if you want a balance between energy consumption and a shorter warm-up period.

The printer returns to the standby mode from the power saver mode when it receives data from the computer or remote fax machine. You can also change the status of the printer to the standby mode by pressing any button on the operator panel.

■ Admin Settings > System Settings > General >

Date & Time

Specifies the date and time formats.

Time Zone	Sets the time zone.
Date	Sets the date depending on the Format settings.
Format	Sets the date format.
Time	Sets the time.
Format	Sets the time format.

■ Admin Settings > System Settings > **General** >
mm / inch

Specifies the default measurement unit displayed after the numeric value on the touch panel.

 **NOTE:**

- The default for mm / inch varies depending on other settings, such as Country and the size of the document.

■ Admin Settings > System Settings > **General** >
Screen Brightness

Adjusts the screen brightness of the touch panel.

■ Admin Settings > System Settings > **General** >
Audio Tone

Specifies whether to enable the Audio Tone feature, which emits a tone during operation or when a warning message appears.

Control Panel	Selects the volume for a tone when the operator panel input is correct.
Invalid Key	Selects the volume for a tone when the operator panel input is incorrect.
Machine Ready	Selects the volume for a tone when the printer is ready to process a job.
Copy Completed	Selects the volume for a tone when a copy job is complete.
Job Completed	Selects the volume for a tone when a job other than a copy job is complete.
Fault Tone	Selects the volume for a tone when a job ends abnormally.
Alert Tone	Selects the volume for a tone when a problem occurs.
Out of Paper	Selects the volume for a tone when the printer runs out of paper.
Low Toner Alert	Selects the volume for a tone when a toner is low.
Auto Clear Alert	Selects the volume for a tone 5 seconds before the printer performs auto clear.
NFC Authentication*	Selects the volume for a tone when an NFC card is placed on the NFC reader for authentication.
All Tones	Selects the volume for all the alert tones.

* This is available on Dell H625cdw and Dell H825cdw.

■ Admin Settings > System Settings > **General** >
Low Toner Alert Message

Specifies whether to enable the Low Toner Alert Message feature, which shows the alert message when the toner is low.

■ Admin Settings > System Settings > **General** >
OffHook Wake Up

Specifies whether to enable the OffHook Wake Up feature, which wakes up from the Sleep or Deep Sleep mode when you pick up the handset of the external telephone.

■ Admin Settings > System Settings > **General** >

Auto Log Print

Specifies whether to enable the Auto Log Print feature, which automatically prints a job history report after every 20 jobs.

Print logs can also be printed using the `Report / List` menu.

■ Admin Settings > System Settings > **General** >

RAM Disk

Specifies whether to enable the RAM Disk feature, which allocates memory to the RAM disk file system for the Secure Print, Private Mailbox, Public Mailbox, and Proof Print features. The change becomes effective after the printer is turned off and then on again.

NOTE:

- Turn off the printer, and then turn it on again to apply the settings for the `RAM Disk` menu.

■ Admin Settings > System Settings > **General** >

Fax Server Phone Book

Specifies whether to enable the Fax Server Phone Book feature, which searches the phone numbers from the phone book for the LDAP server.

NOTE:

- You can search the phone numbers only from the local phone book when `Fax Server Phone Book` is set to `Off`.

■ Admin Settings > System Settings > **General** >

E-mail Server Address Book

Specifies whether to enable the E-mail Server Address Book feature, which searches the e-mail addresses from the address book for the LDAP server.

NOTE:

- You can search the e-mail addresses only from the local address book when `E-mail Server Address Book` is set to `Off`.

■ Admin Settings > System Settings > **General** >

Power On Wizard

Performs initial setup for the printer.

■ Admin Settings > System Settings > **General** >

Max E-mail Size

Specifies the maximum size of e-mail that can be sent.

■ Admin Settings > **System Settings** >

Timers

Configures timer settings.

■ Admin Settings > System Settings > **Timers** >

Auto Reset

Automatically resets the settings for Copy, Scan, Fax, E-mail, or Print to the default settings and return to the standby mode after you do not specify any settings for the specified time.

■ Admin Settings > System Settings > **Timers** >

Fault Time-out

Specifies whether to enable the Fault Time-out feature, which specifies the amount of time the printer waits before canceling a job that stops abnormally. The print job is canceled if the time-out time is exceeded.

■ Admin Settings > **System Settings** >

Output Settings

Configures settings concerning output from the printer.

■ Admin Settings > System Settings > **Output Settings** >

Default Paper Size

Specifies the default paper size.

■ Admin Settings > System Settings > **Output Settings** >

Print ID

Specifies whether to enable the Print ID feature, which specifies a location where the user ID is printed.

NOTE:

- When printing on DL size paper, a part of the user ID may not be printed correctly.

■ Admin Settings > System Settings > **Output Settings** >

Print Text

Specifies whether to enable the Print Text feature. This feature outputs Page Description Language (PDL) data, which is not supported by the printer, as text when the printer receives it. Text data is printed on A4 or Letter size paper.

■ Admin Settings > System Settings > **Output Settings** >

Banner Sheet

Specifies the position of banner sheet, and also specify the tray in which the banner sheet is loaded.

Insert Position	Off	Does not print the banner sheet.
	Front	Inserted before the first page of every copy.
	Back	Inserted after the last page of every copy.
	Front & Back	Inserted before the first page of every copy and after the last page of every copy.
Specify Tray	The banner sheet is loaded in the Multipurpose Feeder (MPF)/tray1/optional 550-sheet feeder.	

■ Admin Settings > System Settings > **Output Settings** >

Substitute Tray

Specifies whether to use paper of a different size when the paper that is loaded in the specified tray does not match the paper size settings for the current job.

Off	No tray size substitute accepted.
Larger Size	Substitutes paper of next largest size. When there is no larger paper size, the printer substitutes paper of nearest size.
Nearest Size	Substitutes paper of nearest size.
Use MPF	Substitutes paper from the Multipurpose Feeder (MPF).

■ Admin Settings > System Settings > **Output Settings** >

Letterhead 2 Sided

Specifies whether to enable the Letterhead 2 Sided feature, which prints on both sides when using letterhead.

■ Admin Settings > System Settings > **Output Settings** >

A4<>Letter Switch

Specifies whether to enable the A4<>Letter Switch feature. This feature prints A4 size jobs on Letter size paper if A4 size paper is not available or to print Letter size jobs on A4 size paper if Letter size paper is not available.

■ Admin Settings > System Settings > **Output Settings** >

A5<>Statement Switch

Specifies whether to enable the A5<>Statement Switch feature. This feature prints A5 size jobs on Statement size paper if A5 size paper is not available or to print Statement size jobs on A5 size paper if Statement size paper is not available.

■ Admin Settings > System Settings > **Output Settings** >

Report 2 Sided Print

Specifies whether to print reports on one side or both sides of a sheet of print media.

■ Admin Settings > System Settings > **Output Settings** >

Use Another Tray

Specifies whether to enable the Use Another Tray feature, which changes to another paper tray when paper runs out in the specified paper tray.

NOTE:

- The size of image to print is not adjusted automatically. If you select another paper tray with paper size smaller than the paper size specified in the job, the parts that are larger than the print media are not printed.

■ Admin Settings > System Settings > **Output Settings** >

Resume Printing After Jam Recovery

Specifies whether to enable the Resume Printing After Jam Recovery feature. This feature deletes print job after recovering from paper jam.

■ Admin Settings > **System Settings** >

Set Available Time

Sets the available time for the copy, scan, fax, and print functions.

Copy/Scan/Fax/Print	Set Available Time	Specifies whether to set the time when function is available.
	Start Time	
	End Time	
	Recurrence	Sets the day of the week to repeat the setting.

NOTE:

- Set Available Time can be configured when Print, Copy, Scan, or Fax is set to On.

■ Admin Settings > System Settings >

Secure Job Expiration

 **NOTE:**

- Secure Job Expiration feature is available only when RAM Disk is set to On.

Specifies the date and time to delete the files stored as Secure Print in the RAM disk.

Expiration Mode	Sets whether to enable or disable the Secure Job Expiration feature.
Expiration Time	Sets the time to delete the files stored as Secure Print in the RAM disk.
Recurrence	Sets the recurrence to delete the files stored as Secure Print in the RAM disk.
Weekly Setting	Sets the day of the week to delete the files stored as Secure Print in the RAM disk.
Monthly Setting	Sets the day of the month to delete the files stored as Secure Print in the RAM disk.

■ Admin Settings > System Settings >

ColorTrack Mode

Specifies whether to enable the ColorTrack Mode feature, which limits access to color printing.

■ Admin Settings > System Settings >

Non Registered User

Specifies whether to enable the Non Registered User feature, which permits the printing of data without authentication information.

■ Admin Settings > System Settings >

Auto Color To Mono Print

 **NOTE:**

- The Auto Color To Mono Print feature is available when Dell ColorTrack is disabled.

Specifies whether to enable the Auto Color To Mono Print feature, which prints all print jobs in black and white even when color print is specified.

■ Admin Settings > System Settings >

ColorTrack Error Report

Specifies whether to enable the ColorTrack Error Report feature, which prints error-related information if printing with ColorTrack results in an error.

■ Admin Settings > System Settings >

NFC - Tap to Print

Specifies whether to add the printer to a mobile device such as a tablet or a smartphone by tapping the device to the (NFC) (NFC) reader.

 **NOTE:**

- This is available on Dell H625cdw and Dell H825cdw.

■ Admin Settings > System Settings >

Calibration

Specifies and calibrates the copy or/and print function(s). This feature corrects consistency of printing colors over time, environment and print media.

■ Admin Settings >

Maintenance

Use the Maintenance menu to initialize the non-volatile (NV) memory, configure the plain paper quality adjustment settings, and configure the security settings.

■ Admin Settings > Maintenance >

Paper Density

Specifies paper density settings.

■ Admin Settings > Maintenance >

Adjust Transfer Belt Unit

Adjusts the transfer bias when the faint image of the previous page, a part of the page currently printing, etc. appear on the output.

K Offset	If faint black colored ghosts appear, try to decrease the value.
YMC Offset	If faint ghosts in color (yellow, magenta, or cyan) appear, try to decrease the value.

■ Admin Settings > Maintenance >

Adjust 2nd BTR

 **NOTE:**

- The print quality changes depending on the setting values you select for this item.

Specifies the transfer roller voltage adjustment for each paper type. If you see mottles on the print output, try to increase the voltage. If you see white spots on the print output, try to decrease the voltage. For details about the setting values, see "Adjust 2nd BTR."

■ Admin Settings > Maintenance >

Adjust Fusing Unit

 **NOTE:**

- The print quality changes depending on the setting values you select for this item.

Adjusts the temperature setting of the fusing unit for each paper type. When the printouts are curled, try to lower the temperature. When the toner does not fuse on the paper properly, try to increase the temperature. For details about the setting values, see "Adjust Fusing Unit."

■ Admin Settings > Maintenance >

Color Reg Adjust

Auto Correct	Automatically performs color registration correction.
---------------------	-------------------------------------------------------

■ Admin Settings > Maintenance >

Clean Developer and Transfer Unit

Stirs the developer in the drum cartridge and cleans the transfer unit.

■ Admin Settings > Maintenance >

Toner Refresh

Cleans the toner in the drum cartridge.

 **NOTE:**

- The Toner Refresh feature uses the toner, and shorten the life of the toner cartridge and the drum cartridge.

■ Admin Settings > Maintenance >

Reset Defaults

Initializes the non-volatile (NV) memory. After executing this setting and restarting the printer, all the menu parameters are reset to their default values.

User Fax Section	Initializes the fax number entries in the address book.
User Scan Section	Initializes the e-mail and server address entries in the address book.
User Account Section	Initializes the user registration information.
User App Section	Initializes the widget application information.
System Section	Initializes the system parameters.

■ Admin Settings > Maintenance >

Initialize Print Meter

Initializes the print meter of the printer. When the print meter is initialized, the meter count is reset to zero.

■ Admin Settings > Maintenance >

Clear Stored Jobs

 **NOTE:**

- The Clear Stored Jobs feature is available only when RAM Disk is set to On.

Clears all files stored as Secure Print, Private Mailbox, Public Mailbox, Proof Print, and stored print in the RAM disk.

All	Deletes all files stored as Secure Print, Private Mailbox, Public Mailbox, and Proof Print in the RAM disk.
Secure Document	Deletes all files stored as Secure Print in the RAM disk.
Stored Document	Deletes all files stored as stored print in the RAM disk.

■ Admin Settings > Maintenance >

Non-Dell Toner

Specifies whether to enable the Non-Dell Toner feature, which uses toner cartridge of another manufacturer.

 **CAUTION:**

- Using a non-Dell™ toner cartridge may severely damage the printer. The warranty does not cover damages caused by using non-Dell toner cartridges.

■ Admin Settings > Maintenance >

Adjust Altitude

Specifies the altitude of the location where the printer is installed.

The discharge phenomenon for charging the photo conductor varies with barometric pressure. Adjustments are performed by specifying the altitude of the location where the printer is being used.

 **NOTE:**

- An incorrect altitude adjustment setting leads to poor printing quality, incorrect indication of remaining toner, etc.

■ Admin Settings > Maintenance >

Clear Job History

Clears the job history of all finished jobs.

■ Admin Settings > Maintenance >

Fax Line Test

 **NOTE:**

- The Fax Line Test feature is not available when the fax function is disabled.

Tests if the voltage supply from the fax line is sufficient.

■ Admin Settings >

Secure Settings

Use the `Secure Settings` menu to set a password to limit access to the menus. This prevents items from being changed accidentally.

■ Admin Settings > Secure Settings >

Panel Lock

Specifies whether to enable the Panel Lock feature, which sets a limited access to `Admin Settings` with a password, and to set or change the password.

Panel Lock Control	Sets password protection for <code>Admin Settings</code> .
Change Password*	Sets or changes the four-digit password required to access <code>Admin Settings</code> .

* This item is available only when `Panel Lock Control` is set to `Enable`.

■ Admin Settings > Secure Settings >

Functions Control

 **NOTE:**

- The Functions Control setting is available only when `Panel Lock Control` is set to `Enable`.

Specifies whether to enable or disable each of the printer functions, or to restrict the use of a function with a password. For `Copy` and `USB Direct Print`, you can restrict just the color printing and color copying features with a password.

Copy	Enables or disables the copy function. You can also restrict the function with a password by setting to <code>On (Password)</code> or <code>On (Color Password)</code> .
Scan to E-mail	Enables or disables the Scan to E-mail feature. You can also restrict the feature with a password using <code>On (Password)</code> .

Fax	Enables or disables the fax function. You can also restrict the function with a password using On (Password).
Fax Driver	Enables or disables the fax driver function.
Scan to Network Folder	Enables or disables the Scan to Network Folder feature. You can also restrict the feature with a password using On (Password).
Scan to Computer	Enables or disables the Scan to Computer feature. You can also restrict the feature with a password using On (Password).
PC Scan	Enables or disables the PC Scan feature. You can also restrict the feature with a password using On (Password).
Scan to USB	Enables or disables the Scan to USB feature. You can also restrict the feature with a password using On (Password).
USB Direct Print	Enables or disables the USB Direct Print feature. You can also restrict the feature with a password using On (Password) or On (Color Password).
ID Copy	Enables or disables the ID Copy feature.
USB Service Show When Inserted	Enables or disables this setting to show the USB Drive Detected screen when a USB memory is inserted in to the printer.
Automatic Doc Detected Menu	Enables or disables this feature for the printer to detect document loaded in the DADF and show DADF related menus on the touch panel.
Change Password*	Changes the four-digit password that is set under the Functions Control menu.

* This item is available only when On (Password) or On (Color Password) is enabled.

■ Admin Settings > Secure Settings >

Desktop Authentication

Specifies the Desktop Authentication method.

NOTE:

- Desktop Authentication is displayed on Dell S2825cdn only.

Local Authentication	Use the local authentication method.
-----------------------------	--------------------------------------

Remote Authentication	Use the authentication by external server.
------------------------------	--------------------------------------------

■ Admin Settings > Secure Settings >

Edit E-mail From Fields

Specifies whether to enable the Edit E-mail From Fields feature, which enables editing of the transmission source when you use Scan to Email.

■ Admin Settings > Secure Settings >

Reconfirm Recipient

Specifies whether to reconfirm the recipient before sending a fax or scan.

 **NOTE:**

- If the `Reconfirm Recipient` menu is set to `Reconfirm Recipient`, recipients can only be selected from the phone book or the address book. You cannot directly enter an address or fax number.

No Confirmation	Does not display a screen to reconfirm the recipient before the job is actually sent.
Reconfirm Recipient	Displays a screen to reconfirm the recipient before the job is actually sent.

■ Admin Settings > Secure Settings >

Domain Filtering

Specifies whether to enable the Domain Filtering feature, which sends e-mails to specified domains.

 **NOTE:**

- Set the domains from **SMTP Domain Filtering** on Dell Printer Configuration Web Tool.

■ Admin Settings > Secure Settings >

Software Download

Specifies whether to enable the Software Download feature, which enables download of firmware updates.

■ Admin Settings > Secure Settings >

Display of Network Information

Shows or hides network information in the message field of the Home screen.

Show IPv4 Address

Show Host Name

Hide Network Information

■ Admin Settings > Secure Settings >

Login Error

 **NOTE:**

- Login Error feature is available only when `Panel Lock Control` is set to `Enable`.

Specifies whether to enable the Login Error feature, which specifies the number of error entry attempts allowed when you log in as an administrator in `Admin Settings` and the `Report / List` menu.

■ Admin Settings > Secure Settings >

NFC Authentication

Specifies whether to enable the NFC Authentication setting, which enables the authentication using the NFC authentication card.

 **NOTE:**

- This is available on Dell H625cdw and Dell H825cdw.

■ Admin Settings >

USB Settings

Use the `USB Settings` menu to change printer settings affecting a USB port.

■ Admin Settings > USB Settings >

USB Port

NOTE:

- USB Port setting is available only for the USB port on the rear of the printer.

Specifies whether to enable the USB Port setting, which enables the USB Port. The change becomes effective after the printer is turned off and then on again.

■ Admin Settings > USB Settings >

PS Data Format

Specifies PostScript 3 Compatible communication protocol for a parallel interface. You can configure the PS Data Format settings for the wired network. The change becomes effective after the printer is turned off and then on again.

Auto	Used when auto-detecting the PostScript 3 Compatible communication protocol.
Standard	Used when the communication protocol is in ASCII interface.
BCP	Used when the communication protocol is in binary format.
TBCP	Used when the communication protocol supports both ASCII and binary data to switch between them according to the specified control code.
Binary	Used when no special processing is required for data.


■ Admin Settings > USB Settings >

Job Time-out

Specifies whether to enable the Job Time-out feature, which specifies the amount of time the printer waits for data to arrive from the computer. The print job is canceled if the time-out time is exceeded.

Default Settings

Use `Default Settings` menu to modify the `Copy`, `Scan`, or `Fax` menu defaults.

To display the `Default Settings` menu, press the  (**Information**) button, and then tap the `Tools` tab.

■ Default Settings >

Copy Defaults

Modifies the `Copy` menu defaults. `Copy Defaults` allows you to configure the following items in addition to the items under the `Copy` menu. See "Copy."

■ Default Settings > Copy Defaults >

Auto Exposure Level

Sets the default background suppression level to Normal/High/Highest.

■ Default Settings > Copy Defaults >

Color Balance

Sets the color balance level of low/medium/high density for each color.

■ Default Settings >

Fax Defaults

Modifies the Fax menu defaults. Fax Defaults allows you to configure the items under the Fax menu. See "Fax."

■ Default Settings >

Scan Defaults

Modifies the Scan menu defaults. Scan Defaults allows you to configure the following items in addition to the items under the Scan menu. See "Scan Settings."

■ Default Settings > Scan Defaults >

Auto Exposure Level

Sets the default background suppression level.

■ Default Settings > Scan Defaults >

TIFF File Format

Specifies the default TIFF file format to TIFF V6 or TTN2.

■ Default Settings > Scan Defaults >

Image Compression

Sets the image compression level.

■ Default Settings >

Direct Print Defaults/USB Direct Print Defaults


Modifies the defaults for the Direct Print Defaults/USB Direct Print Defaults menu. See "Print PDF/TIFF."

NOTE:

- For Dell H625cdw and Dell H825cdw, Direct Print Defaults is displayed. For Dell S2825cdn, USB Direct Print Defaults is displayed.

Tray Management

Use the Tray Management menu to define the print media loaded in tray1 and the optional 550-sheet feeder.

To display the Tray Management menu, press the  (Information) button, and then tap the Tools tab.

■ Tray Management >

Tray Settings

Configures tray settings.

MPF

Specifies the paper loaded in the Multipurpose Feeder (MPF).

Display Tray Prompt		Select the checkbox to display a popup message that prompts to set paper type and paper size when paper is loaded in the MPF. The factory default is on (selected).
MPF Mode	Use Panel Settings	Uses the paper size and type specified on the operator panel.
	Use Printer Driver Settings	Uses the paper size and type specified on the print driver.
	Manual	When the print job is started, the printer pauses the job and shows the screen to prompt the user to load the paper of the specified size and type. To continue the job, check that the specified paper is loaded, and then tap <i>Continue</i> in the screen on the touch panel.
Size		Specifies the paper size.
Type		Specifies the paper type.

Tray1

Specifies the paper loaded in tray1.

Display Tray Prompt		Select the checkbox to display a popup message that prompts to set the paper type and paper size when paper is loaded in tray1. The factory default is on (selected).
Size		Specifies the paper size.
Type		Specifies the paper type.



NOTE:

- For details about supported paper sizes, see "Supported Print Media."

Tray2



NOTE:

- The Tray2 setting is available only when the optional 550-sheet feeder is installed.

Specifies the paper loaded in the optional 550-sheet feeder.

Display Tray Prompt		Select the checkbox to display a popup message that prompts to set the paper type and paper size when paper is loaded in the optional 550-sheet feeder. The factory default is on (selected).
Size		Sets whether to specify the paper size automatically or manually.
Type		Specifies the paper type.

Tray Priority

Sets the priority order of the paper trays for automatic tray selection. If paper trays loaded with the same paper size and type exists, the paper tray is selected according to this priority order.

Language Settings

Use the Language Settings menu to configure Panel Language, or Keyboard Layout.

To display the Language Settings menu, press the **i** (Information) button, and then tap the Tools tab.

■ Language Settings >

Panel Language

Determines the language of the text on the touch panel.

■ Language Settings >

Keyboard Layout

Selects the keyboard layout on the touch panel.

Resetting Defaults

After executing this setting and restarting the printer, the phone book, address book, or menu parameters are reset to their default values.

The following menu parameters are exceptions and are not reset.

- Network settings
- Panel Lock settings and password
- Functions Control settings for Copy, Scan to E-mail, Fax, Scan to Network Folder, Scan to Computer, PC Scan, Scan to USB, USB Direct Print and saved passwords
- Secure Receive settings and saved password
- Login Error settings
- Set Available Time settings
- Secure Job Expiration settings
- USB Port settings
- ColorTrack Mode settings
- ColorTrack Error Report settings
- Non Registered User settings
- NFC Authentication settings
- Tap to print settings

To reset the settings, perform the following procedure:

- 1 Press the **i** (Information) button.
- 2 Tap the Tools tab → Admin Settings → Maintenance.
If Panel Lock Control is set to Enable, enter the password. See "Panel Lock."
- 3 Tap **▼** until Reset Defaults appears, and then tap Reset Defaults.
- 4 Tap the desired setting, and then tap Initialize.

User Fax Section	Resets the phone book data.
User Scan Section	Resets the address book data.
User Account Section	Resets the user registration information.

User App Section	Resets the widget application information.
System Section	Resets the system parameters.

5 Tap Yes, Reset.

Understanding the Job Menus

Print

Use the **Print** menus to configure various settings for the Secure Print, Private Mailbox, Public Mailbox, and Proof Print features.

To display the **Print** job menu, press the  (**Home**) button, tap , and then select the **Print** tile.

■ **Print >**

Secure Print

 **NOTE:**

- Secure Print feature is available only when **RAM Disk** is set to **On**.

Specifies whether and how to print the job stored as the Secure Print.

Select User ID	Enter the password you specified on the print driver.
Select a Job	Selects a job to print.
Select All	Selects all the documents stored for this User ID.
Print and Delete	Prints the selected job, and then deletes the document from print memory.
Delete	Deletes the specified document from print memory.

■ **Print >**

Private Mailbox

 **NOTE:**

- Private Mailbox feature is available only when **RAM Disk** is set to **On**.

Specifies whether and how to print the job stored as the Private Mailbox.

Select User ID	Enter the password you specified on the print driver.
Select a Job	Selects a job to print.
Select All	Selects all the documents stored for this User ID.
Quantity	Specifies the quantity of printout.
Use Driver Settings	Sets the quantity of prints specified on the print driver.
Print	Prints the selected job.
Print and Delete	Deletes the document after it is printed.
Delete	Deletes the specified document from print memory.

■ **Print >**

Public Mailbox

 **NOTE:**

- Public Mailbox feature is available only when **RAM Disk** is set to **On**.

Specifies whether and how to print the job stored as the Public Mailbox.

Select User ID		Enter the password you specified on the print driver.
Select a Job		Selects a job to print.
Select All		Selects all the documents stored for this User ID.
Quantity		Specifies the quantity of printout.
	Use Driver Settings	Sets the quantity of prints specified on the print driver.
Print		Prints the selected job.
	Print and Delete	Deletes the document after it is printed.
Delete		Deletes the specified document from print memory.

■ Print >

Proof Print

NOTE:

- Proof Print feature is available only when RAM Disk is set to On.

Specifies whether and how to print the job stored as the Proof Print.

Select User ID		Enter the password you specified on the print driver.
Select a Job		Selects a job to print.
Select All		Selects all the documents stored for this User ID.
Quantity		Specifies the quantity of printout.
	Use Driver Settings	Sets the quantity of prints specified on the print driver.
Print		Prints the selected job.
	Print and Delete	Deletes the document after it is printed.
Delete		Deletes the specified document from print memory.

■ Print >

Secure Fax Receive

Prints confidential faxes. The printer can hold the job in memory until you arrive at the printer and type the password on the operator panel.

■ Print >

Tile Settings

Tap  to create and edit custom tile for the Print menus.

For details, see "Creating Your Custom Tile" and "Editing Your Custom Tile."

Copy

Use the Copy menus to configure various settings for the copy function.

To display the Copy job menu, press the  (**Home**) button, tap , and then select the Copy tile.

■ Copy >

Quantity

Specifies the number of copies from 1 to 99.

■ Copy >

Darken/Lighten

Makes the copy darker or lighter.

■ Copy >

Output Color

Selects color or black and white copying.

■ Copy >

Select Tray

Specifies the input tray.

MPF	The paper is fed from the Multipurpose Feeder (MPF). When Use Printer Driver Settings is set in MPF Configuration Of Tray Settings, Any is displayed for Size and Type. If you start the copy job with Any as the paper size and type, A4 or Letter is selected as the paper size and Plain is selected as the paper type. If you want to specify the size and type of paper in the MPF, select MPF and specify the paper size and type.
Paper Size	Specifies the paper size.
Paper Type	Specifies the paper type.
Tray1	
Tray2*	

* This item is available only when the optional 550-sheet feeder is installed.

■ Copy >

2 Sided Copying

Specifies whether to make duplex copy and select the binding position.

1 → 1 Sided	Copies one-sided documents into one-sided printouts.
1 → 2 Sided	Copies one-sided documents into two-sided printouts. You can specify whether the printout is bound by the long edge or short edge.
2 → 1 Sided	Copies two-sided documents into one-sided printouts. Before starting the copy, you need to specify whether the document is bound by the long edge or short edge.
2 → 2 Sided	Copies two-sided documents into two-sided printouts. Before starting the copy, you need to specify whether the document is bound by the long edge or short edge.

■ Copy >

Sharpness

Adjusts the sharpness to make the copy sharper or softer.

■ Copy >

Reduce/Enlarge

Reduces or enlarges the size of a copied image. You can also enter a custom ratio.

■ Copy >

Original Size

Specifies the default document size.



NOTE:

- When `Auto` is selected, the printer assumes that the document size is the size of the print media loaded in tray1 or the MPF.

■ Copy >

Original Type

Improves the image quality by selecting the type of the document.

■ Copy >

Collation

Specifies whether to sort the copy job. For example, if you make two copies of three-page document, one complete set of three-page document is printed one by one. You can also automatically sort a copy job only when you use the Duplex Automatic Document Feeder (DADF).

■ Copy >

2-Up

Prints every two pages of documents to fit onto one sheet of paper.

Off

Auto

Automatically reduces to fit onto one sheet of paper.

Manual

Specify the reduce/enlarge ratio in `Reduce/Enlarge`.

■ Copy >

Color Saturation

Adjusts the amount of colors to make the colors darker or lighter.

■ Copy >

Margin

Specifies the top, bottom, right, left, and middle margins of the copy.


■ Copy >

Auto Exposure

Specifies whether to enable the Auto Exposure feature, which suppresses the background of the original to enhance text on the copy.

■ Copy >

Save Settings

Tap  to save a variety of copy features. And also use to create and edit custom tiles for copying.

For details, see "Creating Your Custom Tile" and "Editing Your Custom Tile."

ID Copy

Use the ID Copy menus to configure various settings for ID Copy features.

To display the ID Copy job menu, press the  (**Home**) button, tap , and then select the ID Copy tile.

Quantity	See "Copy."
Darken/Lighten	
Output Color	
Select Tray	
Sharpness	
Color Saturation	
Auto Exposure	
Reduce/Enlarge	

■ ID Copy >



Save Settings

Tap  to save various settings for ID Copy features. And also use to create and edit custom tiles for ID Copy.

For details, see "Creating Your Custom Tile" and "Editing Your Custom Tile."

Multiple-Up Copy

Use the Multiple-Up Copy menus to configure various settings for Multiple-Up Copy features.


To display the Multiple-Up Copy job menu, press the  (**Home**) button, tap , and then select the Multiple-Up Copy tile.

Quantity	See "Copy."
Darken/Lighten	
Output Color	
Select Tray	
2 Sided Copying	
Sharpness	
Original Size	
Original Type	
Collation	
2-Up	
Color Saturation	
Margin	
Auto Exposure	
Reduce/Enlarge*	

* The setting is fixed to *Auto*.

■ Multiple-Up Copy >



Save Settings

Tap  to save various settings for Multiple-Up Copy features. And also use to create and edit custom tiles for Multiple-Up Copy.

For details, see "Creating Your Custom Tile" and "Editing Your Custom Tile."

Scan to Email



Use the *Scan to Email* menus to use the e-mail to send the scanned data. See "Scan Settings."

To display the *Scan to Email* job menu, press the  (**Home**) button, tap , and then select the *Scan to Email* tile.

Enter Recipient's Address		Enter the e-mail address of the recipient using the keyboard.
Address Book	Individuals	Selects an e-mail address from the local address book.
	Groups	Selects an e-mail group from the local address book.
	Network Address Book	Searches an e-mail address from the server address book.
Sender	Keyboard	Enter the e-mail address of the sender using the keyboard.
	Address Book	Selects an e-mail address of the sender from the local address book.
	Network Address Book	Searches an e-mail address of the sender from the server address book.

Scan to Network Folder

Use the *Scan to Network Folder* menus to store the scanned data on a network server or a computer. See "Scan Settings."

To display the *Scan to Network* job menu, press the  (**Home**) button, tap , and then select the *Scan to Network* tile.

Address Book	Selects an FTP address or Server Message Block (SMB) protocol address from the local address book.
---------------------	----------------------------------------------------------------------------------------------------

Scan to USB



Use the *Scan to USB* menus to save the scanned data to a USB flash drive attached to the printer. See "Scan Settings."

To display the *Scan to USB* job menu, press the  (**Home**) button, tap , and then select the *Scan to USB* tile.

Folder Name	Selects which folder the scanned data is saved to.
--------------------	----------------------------------------------------

Scan to Computer

Use the *Scan to Computer* menus to save scanned data on a computer.

To display the Scan to Computer job menu, press the  (**Home**) button, tap , and then select the Scan to Computer tile.

 **NOTE:**

- This feature is available when the operating system of the client computer is Windows Vista® SP2 or later, Windows® 7, Windows® 8, Windows® 8.1, or Windows® 10.

Computer (via USB)	Saves scanned data on a computer connected via USB cable.
Computer Name	Selects which computer the scanned data is saved to. Up to 20 computers can be listed.
Scan	Sends the scanned data to the computer according to the chosen event. The program associated with depends on the setting on the computer.
Scan for Print	
Scan for E-mail	
Scan for Fax	
Scan for OCR	

■ Scan to Computer >

Tile Settings

Tap  to create and edit custom tiles for Scan to Computer

For details, see "Creating Your Custom Tile" and "Editing Your Custom Tile."

■ Scan to Email / Scan to Network Folder / Scan to USB / Scan to Computer >

Scan Settings

 **NOTE:**

- The scan settings are common for Scan to Email, Scan to Network Folder, Scan to USB, and Scan to Computer features.

■ Scan to Email / Scan to Network Folder / Scan to USB / Scan to Computer > Scan Settings >

Output Color

Selects color or black and white scanning.

Color

Black & White

Works well for documents with texts.

Gray Scale

Works well for documents with texts and photos.

■ Scan to Email / Scan to Network Folder / Scan to USB / Scan to Computer > Scan Settings >

Resolution

Specifies the resolution of the scanned data.

■ Scan to Email / Scan to Network Folder / Scan to USB / Scan to Computer > Scan Settings >

File Format

Specifies the file format to save the scanned data.

■ Scan to Email / Scan to Network Folder / Scan to USB / Scan to Computer > Scan Settings >

2 Sided Scanning

Specifies whether to scan one side or both sides of a document. For a two-sided document, specify whether the document is bound by the long edge or short edge.

■ Scan to Email / Scan to Network Folder / Scan to USB / Scan to Computer > **Scan Settings** >

Darken/Lighten

Adjusts the density to make the scanned data darker or lighter.

■ Scan to Email / Scan to Network Folder / Scan to USB / Scan to Computer > **Scan Settings** >

Contrast

Adjusts the contrast of scanned data. Higher contrast makes the colors darker and lower contrast makes the colors lighter than the original.

■ Scan to Email / Scan to Network Folder / Scan to USB / Scan to Computer > **Scan Settings** >

Sharpness

Adjusts the sharpness to make the scanned data sharper or softer.

■ Scan to Email / Scan to Network Folder / Scan to USB / Scan to Computer > **Scan Settings** >

Auto Exposure

Specifies whether to enable the Auto Exposure feature, which suppresses the background of the original to enhance text on the scanned data.

■ Scan to Email / Scan to Network Folder / Scan to USB / Scan to Computer > **Scan Settings** >

Original Size

Specifies the default paper size.

■ Scan to Email / Scan to Network Folder / Scan to USB / Scan to Computer > **Scan Settings** >

Margin

Specifies the top, bottom, right, left, and middle margins of the scanned data.

■ Scan to Email / Scan to Network Folder / Scan to USB / Scan to Computer > **Scan Settings** >

Create Folder

NOTE:

- Create Folder feature is available only for Scan to USB or Scan to Network Folder.

Specifies whether to enable the Create Folder feature, which creates a folder when saving scanned data.


■ Scan to Email / Scan to Network Folder / Scan to USB / Scan to Computer > **Scan Settings** >

File Naming Mode

Specifies the detailed setting of **File Naming Mode**.

Auto	Sets the default file name.
Add Prefix	Adds texts in front of the file name.
Prefix/Suffix String	Specifies the texts that are added when <code>Add Prefix</code> is selected.
Add Suffix	Adds texts after the file name.
Prefix/Suffix String	Specifies the texts that are added when <code>Add Suffix</code> is selected.

Save Settings

Tap  to save various settings for the scan function when using Scan to Email, Scan to USB, Scan to Network Folder, or Scan to Computer. And also use to create and edit custom tiles for scanning.

For details, see "Creating Your Custom Tile" and "Editing Your Custom Tile."

Fax

Use the **Fax** menus to configure various settings for the fax function.

To display the **Fax** job menu, press the  (**Home**) button, tap , and then select the **Fax** tile.

NOTE:

- The fax function cannot be used unless you set up a country code under **Country**. If **Country** is not set up, a message to set the country code appears on the touch panel.

Enter Number		Enter the fax number using the keyboard.
Speed Dial		Enter the speed dial number stored in the printer.
Phone Book	Individuals	Selects a fax number from the local address book.
	Groups	Selects a group dial number from the local address book.
	Network Phone Book	Searches a fax number from the server address book.
On Hook	Send	Sends faxes manually.
	Receive	Receives faxes manually.
	Polling	Manually retrieves information from a remote machine.

■ Fax >

Fax Settings

Use the fax settings to configure various settings for the fax function.

■ Fax > Fax Settings >

Darken/Lighten

Adjusts the density to make the fax darker or lighter.

■ Fax > Fax Settings >

2 Sided Scanning

Specifies whether to scan one side or both sides of a document. For a two-sided document, specify whether the document is bound by the long edge or short edge.

■ Fax > Fax Settings >

Polling Receive

Specifies whether to enable the Polling Receive feature, which retrieves faxes from the remote fax machine when you want to receive it.

■ Fax > Fax Settings >

Resolution

Specifies the scan resolution to improve the output quality.

Standard	Suitable for documents with normal sized characters.
-----------------	------------------------------------------------------

Fine	Suitable for documents containing small characters or thin lines or documents printed using a dot-matrix printer.
Super Fine	Suitable for documents containing extremely fine detail. The <i>Super Fine</i> mode is enabled only if the remote machine also supports the <i>Super Fine</i> mode. See the following note.
Photo	Suitable for documents containing photographic images.

 **NOTE:**

- Data scanned in the *Super Fine* mode is transmitted at the highest resolution supported by the remote machine.

■ Fax > Fax Settings >

Fax Cover Page

Specifies whether to enable the Fax Cover Page feature, which attaches a cover page to faxes.

■ Fax > Fax Settings >

Delayed Send


Specifies whether to enable the Delayed Send feature, which sends a fax at a later time.

 **NOTE:**

- A maximum of 19 delayed fax jobs can be stored.

■ Fax > Fax Settings >

Save Settings

Tap  to save various settings for the fax function. And also use to create and edit custom tiles for faxing.

For details, see "Creating Your Custom Tile" and "Editing Your Custom Tile."

 **NOTE:**



- Up to 30 addresses can be stored on the printer.

Print PDF/TIFF

 **NOTE:**

- Print PDF/TIFF feature is available only when a USB flash drive is inserted in the front USB port.

Use the *Print PDF/TIFF* menus to specify the document stored in the root, file, or folder in a USB flash drive. See "Print Settings."



To display the *Print PDF/TIFF* job menu, press the  (**Home**) button, tap , and then select the *Print PDF/TIFF* tile.

Print JPEG

 **NOTE:**

- Print JPEG feature is available only when a USB flash drive is inserted in the front USB port.

Use the *Print JPEG* menus to specify the photos stored in the root, file, or folder in a USB flash drive. See "Print Settings."

To display the *Print JPEG* job menu, press the  (**Home**) button, tap , and then select the *Print JPEG* tile.

■ Print PDF/TIFF / Print JPEG >

Print Settings

Use the print settings to configure various settings for the print function when using Print PDF/TIFF, Print JPEG.

■ Print PDF/TIFF / Print JPEG > Print Settings >

Quantity

Specifies the number of copies from 1 to 99.

■ Print PDF/TIFF / Print JPEG > Print Settings >

Output Color

Selects color or black and white printing.

■ Print PDF/TIFF / Print JPEG > Print Settings >

Select Tray

Specifies the input tray.

MPF	The paper is fed from the Multipurpose Feeder (MPF). When Use Printer Driver Settings is set in MPF Configuration of Tray Settings, Any is displayed for Size and Type. If you start the print job with Any as the paper size and type, A4 or Letter is selected as the paper size and Plain is selected as the paper type. If you want to specify the size and type of paper in the MPF, select MPF and specify the paper size and type.
Size	Specifies the paper size.
Tray1	
Tray2*	

* This item is available only when the optional 550-sheet feeder is installed.

■ Print PDF/TIFF / Print JPEG > Print Settings >

2 Sided Printing

Specifies whether to print on one side or both sides of a sheet of print media. For a two-sided printing, you can specify the printout to be bound by the long edge or short edge.

■ Print PDF/TIFF / Print JPEG > Print Settings >

Layout

Specifies the output layout. Select whether to print one, two, or four pages on one side of a sheet of print media. If you select **Off (No Scaling)**, the parts that do not fit are not printed (print size is not adjusted automatically).

■ Print PDF/TIFF / Print JPEG > Print Settings >

Image Types

Sets the print image quality.

Auto	Prints PDF/TIFF files in the Text mode and JPEG files in the Photos (Standard Quality) mode.
Photos (Standard Quality)	Prints the photographic images at the standard quality.

Photos (High Quality)	Prints the photographic images at the high quality.
Text	Prints the text document at the standard quality.

■ Print PDF/TIFF / Print JPEG > **Print Settings** >

Collation

Specifies whether to sort the job.

■ Print PDF/TIFF > **Print Settings** >

PDF Password

Enter the password when you print a PDF file secured with password to open the PDF file.

■ Print PDF/TIFF / Print JPEG >


Save Settings

Tap  to save a variety of USB Direct Print features. And also use to create and edit custom tiles for USB Direct Print.

For details, see "Creating Your Custom Tile" and "Editing Your Custom Tile."

Dell Document Hub

Use the Dell Document Hub menus to configure various settings for Dell Document Hub.

To display the Dell Document Hub job menu, press the  (**Home**) button, and then tap the Dell Document Hub tile.




NOTE:

- Dell Document Hub is available on Dell H625cdw and Dell H825cdw.

■ **Dell Document Hub** >

Search for Files





Searches the files saved in the cloud services, and print them from the printer.

Text Box	Enter the keywords, such as the words including the file name.
	Sorts the searching results by selecting the sorting order.
	Sets the settings of the Print Settings.
	Displays the selected files. The first three pages of each file are displayed in the small previews.

■ **Dell Document Hub** >

Browse for Files

Browses and prints the files saved in the selected cloud services.

Text Box	Enter the keywords, such as the words including the file name.
	Searches for the files in the current location or the selected cloud services.
	Sets the settings of the Print Settings.
	Displays the selected files. The first three pages of each file are displayed in the small previews.
	Sorts the searching results by selecting the sorting order.



Saves the settings of the Print Settings as Favorite.

Dell Document Hub >

Scan

Scans the document and saves the scanned data in the cloud service.

File Name	Enter the file name you want to use.
File Format	Selects the file format from the list to save the scanned data.
Tag	Enter the tag you want to use.
	Searches for the location to save the scanned data. You can search for the location across the cloud services.
	Sets the settings of the Scan Settings.
	Sorts the searching results by selecting the sorting order.
	Saves the settings of the Scan Settings as Favorite.

Dell Document Hub > Scan >

PDF Password

Enter the password when you print a PDF file secured with password to open the PDF file.

Dell Document Hub > Scan >

File Name Option

Specifies the way to name the scanned data.

Off	
Add Prefix	Adds texts in front of the file name.
Prefix/Suffix String	Specifies the texts that are added when <code>Add Prefix</code> is selected.
Add Suffix	Adds texts after the file name.
Prefix/Suffix String	Specifies the texts that are added when <code>Add Suffix</code> is selected.

For details about other settings, see "Scan Settings."

Dell Document Hub >

Smart OCR Scan

Scans the document using Optical Character Recognition (OCR) and saves it in the cloud service.

File Name	Enter the file name you want to use.
File Format	Selects the file format from the list to save the scanned data.
Tag	Enter the tag you want to use.
	Searches for the location to save the scanned data. You can search for the location across the cloud services.
	Sets the settings of the Scan Settings.
	Saves the settings of the Scan Settings as Favorite.

■ Dell Document Hub > **Smart OCR Scan** >

File Format

Specifies the file format to save the scanned data.

■ Dell Document Hub > **Smart OCR Scan** >

OCR Language

Specifies the language for the OCR.

■ Dell Document Hub > **Smart OCR Scan** >

PDF Password

Enter the password when you print a PDF file secured with password to open the PDF file.

■ Dell Document Hub > **Smart OCR Scan** >

Remove Blank Page

Specifies whether to enable the Remove Blank Page feature, which removes the blank pages.

■ Dell Document Hub > **Smart OCR Scan** >

Image Enhancement

Sets whether to enable the Image Enhancement feature.

■ Dell Document Hub > **Smart OCR Scan** >

File Name Option

Specifies the way to name the scanned data.



Off		
Add Prefix		Adds texts in front of the file name.
	Prefix/Suffix String	Specifies the texts that are added when <code>Add Prefix</code> is selected.
Add Suffix		Adds texts after the file name.
	Prefix/Suffix String	Specifies the texts that are added when <code>Add Suffix</code> is selected.

For details about other settings, see "Scan Settings."

■ Dell Document Hub >

E-mail Me

Scans the document and send to you as an attached file of an e-mail.

File Format	Selects the file format from the list to save the scanned data.
Subject	Enter the subject you want to use.
	Sets the settings of the Scan Settings.
	Saves the settings of the Scan Settings as Favorite.

■ Dell Document Hub > **E-mail Me** >

File Format

Specifies the file format to save the scanned data.

■ Dell Document Hub > E-mail Me >

OCR Language

Specifies the language for the OCR.

■ Dell Document Hub > E-mail Me >

PDF Password

Enter the password when you print a PDF file secured with password to open the PDF file.

■ Dell Document Hub > E-mail Me >



Remove Blank Page

Specifies whether to enable the Remove Blank Page feature, which removes the blank pages. For details about other settings, see "Scan Settings."

■ Dell Document Hub >

Business Card Reader

Scans the business card and send vCard format data to you as an attached file of an e-mail.

Subject	Enter the subject you want to use.
	Sets the settings of the Scan Settings.
	Saves the settings of the Scan Settings as Favorite.

■ Dell Document Hub > Business Card Reader >

File Format

Specifies the file format to save the scanned data.

■ Dell Document Hub > Business Card Reader >

OCR Language

Specifies the language for the OCR.

SharePoint

Use the SharePoint menus to configure various settings for SharePoint®.

To display the SharePoint job menu, press  (**Home**) button, and then tap the SharePoint tile.



NOTE:

- SharePoint is available on Dell S2825cdn.

■ SharePoint >



Print

Browses and prints the files saved in the selected SharePoint® server.

	Searches for the files in the current folder or the server.
Text Box	Enter the keywords, such as the words included in the file name.
	Sets the settings of the Print Settings.

Scan

Scans the document and saves the scanned data in the selected SharePoint® server.

File Name	Enter the file name you want to use.
File Format	Selects the file format from the list to save the scanned data.
	Searches for the folder in the selected SharePoint® server.
	Sets the settings of the Scan Settings.

File Name Option

Specifies the way to name the scanned data.

Off	
Add Prefix	Adds texts in front of the file name.
Prefix/Suffix String	Specifies the texts that are added when Add Prefix is selected.
Add Suffix	Adds texts after the file name.
Prefix/Suffix String	Specifies the texts that are added when Add Suffix is selected.

For details about other settings, see "Scan Settings."

 **NOTE:**

- You cannot assign the password to the PDF file when saving the scanned data to the SharePoint® server.

Add App

Use the Add App menus to add a variety of tiles on the Home screen.

Dell™ Printer Configuration Web Tool

Use Dell Printer Configuration Web Tool to monitor the status of your network printer without leaving your desk. You can view and/or change the printer settings, monitor toner level, and acknowledge the timing of ordering replacement consumables.

If you are a network administrator, you can copy the printer settings to one or all printers on the network using your web browser.

NOTE:

- This web tool is available only when the printer is connected to a network.

Preparing to Use Dell Printer Configuration Web Tool

Make sure that you activate JavaScript in your browser before using Dell Printer Configuration Web Tool.

Perform the following procedure to configure both the environment settings of your web browser and the operator panel before using Dell Printer Configuration Web Tool.

NOTE:

- The Dell Printer Configuration Web Tool pages may be displayed with unreadable characters if the pages were configured by the language different from the language of your web browser.

Setting Up Internet Explorer®

Setting Up the Display Language

- 1 Select **Internet Options** from **Tools** on the menu bar.
- 2 Select **Languages** in the **General** tab.
- 3 Specify the display language in order of preference in the **Language** list.

Setting the IP Address of the Printer to Non-Proxy

- 1 Select **Internet Options** from **Tools** on the menu bar.
- 2 Click **LAN Settings** under **Local Area Network (LAN) Settings** in the **Connections** tab.
- 3 Perform either of the following:
 - Clear the **Use a proxy server for your LAN** check box under **Proxy server**.
 - Click **Advanced**, and then specify the IP address of the printer in the **Do not use proxy server for addresses beginning with** text box under **Exceptions**.

Confirming the Menu on the Operator Panel

You can start Dell Printer Configuration Web Tool only when `Dell Printer Configuration Web Tool` is set to `Enable` on the operator panel. Check the operator panel setting if you cannot start Dell Printer Configuration Web Tool. See "Protocols."

Starting Dell Printer Configuration Web Tool

To start Dell Printer Configuration Web Tool, enter the IP address of the printer in your web browser.

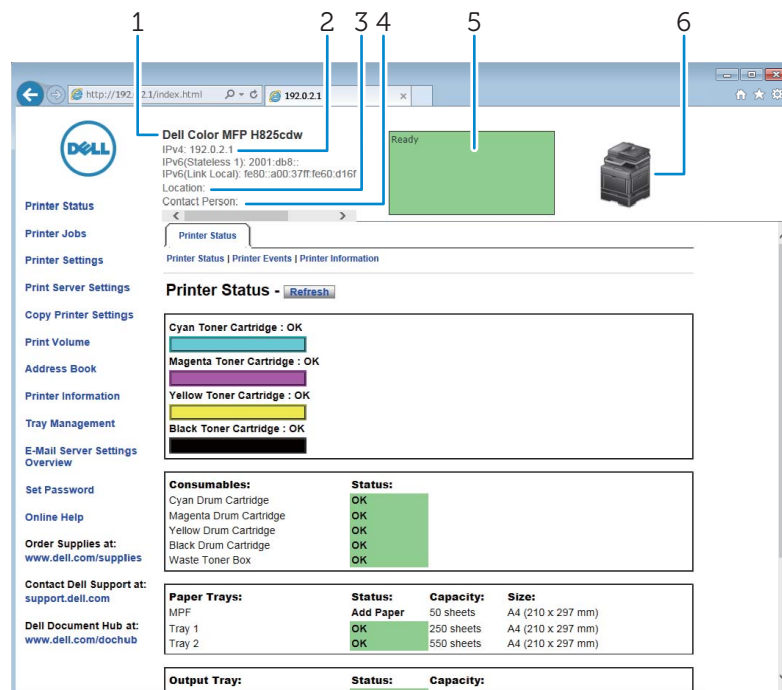


If you do not know the IP address of the printer, verify the IP address by using the operator panel, printing the system settings report, or using the ping command. See "Verifying the IP Settings."

Page Display Format

Top Frame

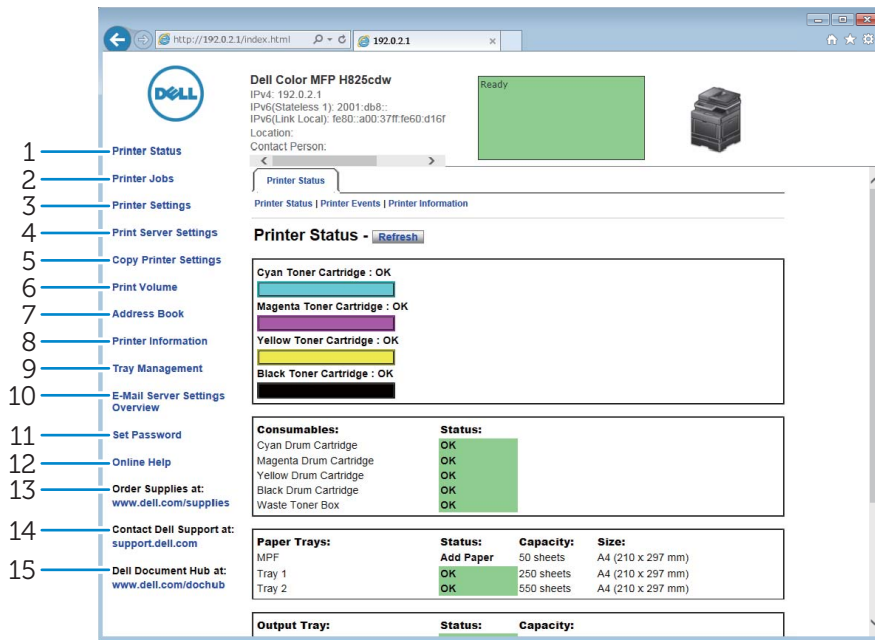
The top frame is located at the top of all pages. When Dell Printer Configuration Web Tool is activated, the current status and specifications of the printer are displayed in the top frame on every page.




1	Model Name	Displays the model name of the printer.
2	IPv4 IPv6	Displays the IP address of the printer.
3	Location	Displays location of the printer. The location can be changed in the Basic Information section on the Print Server Settings page.
4	Contact Person	Displays the name of the printer administrator. The name can be changed in the Basic Information section on the Print Server Settings page.
5	Event Panel	Displays the indicator for the condition of the printer.
6	Printer image	Shows the bitmap image of the printer. The Printer Status menu appears in the right frame when you click on the image.

Left Frame

The left frame is located on the left side of all the pages. The menu titles displayed in the left frame are linked to corresponding menus and pages. You can proceed to the corresponding page by clicking their characters.



1	Printer Status	Provides immediate feedback on the printer supply status. When a toner cartridge is running low, click the order supplies link on the first screen to order a new toner cartridge.
2	Printer Jobs	Contains information on the details of the status regarding each protocol or job.
3	Printer Settings	Displays the printer settings of the operator panel to configure the settings from Dell Printer Configuration Web Tool.
4	Print Server Settings	Configures the type of printer interface and the necessary conditions for communications.
5	Copy Printer Settings	Copies the printer settings to one or more printers on the network having the same model number. NOTE: <ul style="list-style-type: none"> You must log in as an administrator to use this setting.
6	Print Volume	Displays the printing history such as paper usage and restrictions of color mode usage.
7	Address Book	Displays or edits the e-mail address, server address, and fax number entries in the address book, or registers new entries. NOTE: <ul style="list-style-type: none"> You must log in as an administrator to use this setting.
8	Printer Information	Provides information on service calls, inventory reports, or the status of current memory and engine code levels.
9	Tray Management	Provides information about the paper type and size for each tray.
10	E-Mail Server Settings Overview	Opens the E-Mail Server menu in the Print Server Settings menu to configure E-Mail Server settings for Scan to Email, e-mail alert and forwarding fax to email features.

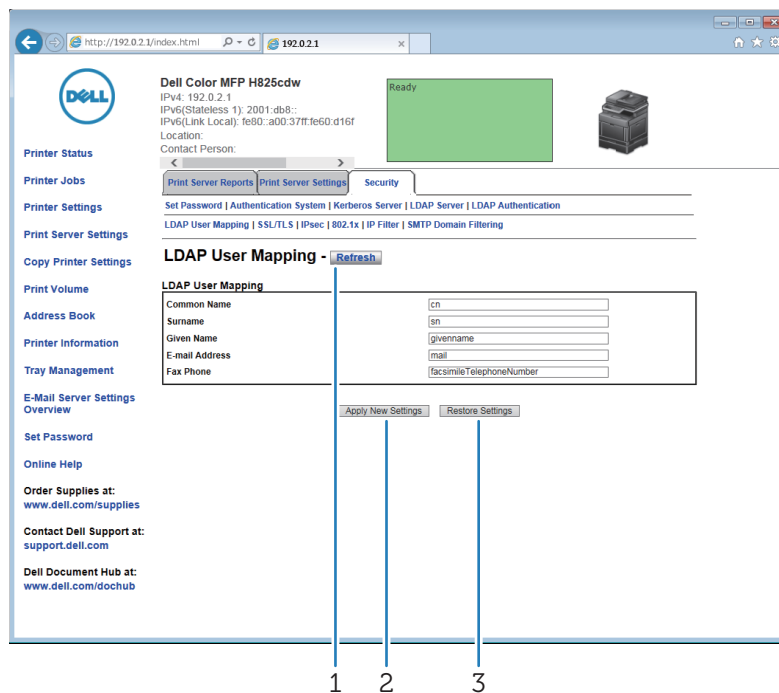
11	Set Password	Locks Dell Printer Configuration Web Tool with a password so that the printer settings are not changed inadvertently.
		 NOTE: <ul style="list-style-type: none"> You must log in as an administrator to use this setting.
12	Online Help	Links to the Dell Support website.
13	Order Supplies at:	Links to the Dell website for ordering supplies.
14	Contact Dell Support at:	Links to the Dell Support website.
15	Dell Document Hub at:*	Links to the Dell Document Hub website.

* This is available on Dell H625cdw and Dell H825cdw.

Right Frame

The right frame is located on the right side of all the pages. The contents of the right frame correspond to the menu that you select in the left frame. See "Details of the Menu Items."

Buttons in the Right Frame



1	Refresh Button	Receives the current printer configuration and updates the latest information in the right frame.
2	Apply New Settings Button	Submits new settings made on Dell Printer Configuration Web Tool to the printer. The new settings replace the old settings of the printer.
3	Restore Settings Button	Restores the old settings that existed before any changes were made. New settings are not submitted to the printer.

Changing the Settings of the Menu Items

Some menus allow you to change the printer settings through Dell Printer Configuration Web Tool. When you access these menus, the authentication window appears on the

screen. Enter a user name and password for the printer administrator by following the prompts displayed in the dialog box.

The default user name is admin, and the default password is left blank (NULL). You can change only the password in the **Set Password** page in the **Security** menu. The user name cannot be changed. See "Set Password."

Details of the Menu Items

Left Frame	Tab	Menu Item	
"Printer Status"	"Printer Status"	"Printer Status"	
		"Printer Events"	
		"Printer Information"	
"Printer Jobs"	"Printer Jobs"	"Job List"	
		"Completed Jobs"	
"Printer Settings"	"Printer Settings Report"	"Menu Settings"	
		"Reports"	
	"Printer Settings"	"Printer Settings"	"System Settings"
			"Network Settings"
			"USB Settings"
			"PCL Settings"
			"PS Settings"
			"PDF Settings"
			"Secure Settings"
			"Copy Defaults"
			"Copy Color Balance"
			"Copy Settings"
			"Fax Defaults"
			"Fax Settings"
			"Scan Defaults"
			"Direct Print Defaults / USB Direct Print Defaults" ^{*6}
			"MIFARE Customized Card"
"Printer Maintenance"	"Printer Maintenance"	"Paper Density"	
		"Adjust Transfer Belt Unit"	
		"Adjust 2nd BTR"	
		"Adjust Fusing Unit"	
		"Color Registration Adjustments"	
		"Clean Developer"	
		"Reset Defaults"	
		"Initialize Print Meter"	
		"Clear Stored Jobs" ^{*1}	
		"Non-Dell Toner"	
		"Adjust Altitude"	
"Clock Settings"			
"Web Link Customization"			
"Print Server Settings"	"Print Server Reports"	"Print Server Setup Page"	

Left Frame	Tab	Menu Item
		"E-Mail Server Setup Page"
	"Print Server Settings"	"Basic Information" "Port Settings" "TCP/IP" "SMB" "E-Mail Server" "Bonjour (mDNS)" "SNMP" "Scan to Network Folder" "SNTF" "AirPrint" "Mopria" "Google Cloud Print" "Dell Document Hub" ^{**5} "Proxy Server" "Wi-Fi" ^{**2} "Wi-Fi Direct" ^{**4} "Reset Print Server"
	"Security"	"Set Password" "Authentication System" "Kerberos Server" "LDAP Server" "LDAP Authentication" "LDAP User Mapping" "SSL/TLS" "IPsec" "802.1x" ^{**3} "IP Filter" "SMTP Domain Filtering"
"Copy Printer Settings"	"Copy Printer Settings"	"Copy Printer Settings" "Copy Printer Settings Report"
"Print Volume"	"Print Volume"	"Print Volume" "Dell ColorTrack"
"Address Book"	"E-Mail Address"	"E-Mail Address" "E-Mail Group" "Default Setup"
	"Server Address"	"Server Address"
	"Phone Book"	"FAX Speed Dial" "FAX Group"
"Tray Management"	"Tray Management"	

^{*1} This item is available only when **RAM Disk** is enabled.

^{*2} This item is available only when the printer is connected using the wireless network. Wireless network is available on Dell H625cdw and Dell H825cdw.

^{*3} This item is available only when the printer is connected using an Ethernet cable.

*4 Wi-Fi Direct is available on Dell H625cdw and Dell H825cdw.

*5 Dell Document Hub is available on Dell H625cdw and Dell H825cdw.

*6 For Dell H625cdw and Dell H825cdw, **Direct Print Defaults** is displayed. For Dell S2825cdn, **USB Direct Print Defaults** is displayed.

Printer Status

Use the **Printer Status** menu to check the status of consumables, hardware, and specifications of the printer.

Printer Status

The **Printer Status** tab includes the **Printer Status**, **Printer Events** and **Printer Information** pages.

Printer Status

Displays the status of the consumables, trays, and covers.

Cyan Toner Cartridge	Indicates whether the toner, drum cartridge and/or waste toner box is OK for use, or the toner, drum cartridge and/or waste toner box needs to be replaced soon or now.		
Magenta Toner Cartridge			
Yellow Toner Cartridge			
Black Toner Cartridge			
Consumables			
Cyan Drum Cartridge			
Magenta Drum Cartridge			
Yellow Drum Cartridge			
Black Drum Cartridge			
Waste Toner Box			
Paper Trays	Status	OK	Indicates that there is some paper in the tray but the quantity is unknown.
		Add Paper	Indicates that there is no paper in the tray.
	Capacity		Displays the maximum capacity of the paper tray.
		Size	Displays the size of paper in the tray.
Output Tray	Status		Indicates that the tray is available when OK is displayed.
	Capacity		Displays the maximum capacity of the paper tray.
Cover	Status		Indicates whether the cover is closed or open.
Printer Type			Color Laser is displayed normally.
Printing Speed			

Printer Events

When faults occur, the details of all alerts or indications of faults are displayed in the **Printer Events** page.

Printer Information

Displays the printer details such as the hardware version and Service Tag Number. This page can also be displayed by clicking **Printer Information** in the left frame.

Printer Jobs

The **Printer Jobs** menu contains information on the **Job List** and **Completed Jobs** pages. These pages show the details of the status regarding each protocol or job.

Printer Jobs

The **Printer Jobs** tab includes the **Job List** and **Completed Jobs** pages.

Job List

Displays the jobs that are being processed. Click the **Refresh** button to update the screen.

ID	Displays the job ID.
Job Name	Displays the file name of the job being processed.
Owner	Displays the name of the job owner.
Host Name	Displays the name of the host computer.
Job Status	Displays the status of the job being processed.
Job Type	Displays the type of the job being processed.
Host I/F	Displays the status of the host interface.
Job Submitted Time	Displays the date when the job was submitted.

Completed Jobs

Displays the completed jobs. Up to the last 20 jobs are displayed. Click the **Refresh** button to update the screen.

Clear Job History	Deletes job history.
ID	Displays the job ID.
Job Name	Displays the file name of the completed job.
Owner	Displays the name of the job owner.
Host Name	Displays the name of the host computer.
Output Result	Displays the status of the completed job.
Job Type	Displays the type of the completed job.
Impression Number	Displays the total number of pages for the job.
No. of Sheets	Displays the total number of sheets for the job.
Host I/F	Displays the status of the host interface.
Job Submitted Time	Displays the date when the job was submitted.

Printer Settings

Use the **Printer Settings** menu to display the **Printer Settings Report**, **Printer Settings**, and **Printer Maintenance** tabs and to configure the printer settings.

Printer Settings Report

The **Printer Settings Report** tab includes the **Menu Settings** and **Reports** pages.

Menu Settings

Displays the current settings of the printer menus.

Reports

Prints various types of reports and lists. Click **Start** to print each report.

System Settings
Panel Settings
PCL Fonts List
PCL Macros List
PS Fonts List
PDF Fonts List
Job History
Error History
Print Meter
Color Test Page
Protocol Monitor
Speed Dial
Address Book
Server Address
Fax Activity
Fax Pending
Stored Documents*

* This item is available only when **RAM Disk** is enabled.

Printer Settings

The **Printer Settings** tab includes **System Settings, Network Settings, USB Settings, PCL Settings, PS Settings, PDF Settings, Secure Settings, Copy Defaults, Copy Color Balance, Copy Settings, Fax Defaults, Fax Settings, Scan Defaults, Direct Print Defaults/USB Direct Print Defaults,** and **MIFARE Customized Card** pages.

System Settings

Configures the basic printer settings.

General	Power Saver Time - Sleep	Sets the time taken by the printer to enter Sleep mode after it finishes a job.
	Power Saver Time - Deep Sleep	Sets the time taken by the printer to enter Deep Sleep mode after it has entered Sleep mode.
	Power Saver Time - Power Off Timer^{*1}	Sets the time taken by the printer to enter Power Off mode after it has entered Deep Sleep mode.
	mm / inch	Sets the measurement unit to be used on the touch panel as either mm or inches.
	Screen Brightness	Sets the brightness level of the touch panel.
	Control Panel Tone	Sets the volume of the tone that is emitted when the operator panel input is correct, or disables the tone.
	Invalid Key Tone	Sets the volume of the tone that is emitted when the operator panel input is incorrect, or disables the tone.
	Machine Ready Tone	Sets the volume of the tone that is emitted when the printer becomes ready, or disables the tone.
	Copy Completed Tone	Sets the volume of the tone that is emitted when a copy job is complete, or disables the tone.
	Job Completed Tone	Sets the volume of the tone that is emitted when a job other than a copy job is complete, or disables the tone.
	Fault Tone	Sets the volume of the tone that is emitted when a job ends abnormally, or disables the tone.
	Alert Tone	Sets the volume of the tone that is emitted when a problem occurs, or disables the tone.
	Out of Paper Tone	Sets the volume of the tone that is emitted when the printer runs out of paper, or disables the tone.
	Low Toner Alert Tone	Sets the volume of the tone that is emitted when the toner is low, or disables the tone.
	Auto Clear Alert Tone	Sets the volume of the tone that is emitted 5 seconds before the printer performs auto clear, or disables the tone.
	NFC Authentication Tone^{*1}	Sets the volume of the tone that is emitted when an NFC card is placed on the NFC reader for authentication, or disables the tone.
	All Tones	Sets the volume of all the alert tones, or disables all the tones.
	Low Toner Alert Message	Alerts you if the toner is low.
	OffHook Wake Up	Sets whether to wake up from Sleep or Deep Sleep mode when you pick up the handset of the external telephone.
	Auto Log Print	Sets if a job history needs to be printed after every 20 jobs.
	RAM Disk	Sets whether to allocate RAM for the file system for the Secure Print, Proof Print, Private Mailbox, and Public Mailbox features.
	Panel Language	Used to set the language on the touch panel.
	Max E-mail Size	Sets the maximum size of e-mail that can be sent.
Timers	Auto Reset	Sets the amount of time before the printer automatically resets its settings to the defaults when no additional settings are made.
	Fault Time-out	Sets the amount of time the printer waits before canceling a job that stops abnormally.

Output Settings	Default Paper Size	Sets the default print paper size.
	Print ID	Sets where to print the user ID on the output paper.
	Print Text	Sets whether the printer outputs Page Description Language (PDL) data which is not supported by the printer as text when the printer receives it.
	Banner Sheet Insert Position	Sets where to insert a banner sheet in the output.
	Banner Sheet Specify Tray	Sets from which tray a banner sheet is fed.
	Substitute Tray	Sets whether to use another size paper when the paper that is loaded in the specified tray does not match the paper size settings for the current job.
	Letterhead 2 Sided	Sets whether to print on both sides of letterhead.
	A4<>Letter Switch	Sets whether to print A4 size jobs on Letter size paper if A4 is not available in the paper trays and vice versa.
	A5<>Statement Switch	Sets whether to print A5 size jobs on Statement size paper if A5 is not available in the paper trays and vice versa.
	Report 2 Sided Print	Sets whether to print reports on both sides a sheet of paper.
	Use Another Tray	Sets whether to show a message to select another tray when the specified paper is not available in the paper tray.
	Resume Printing After Jam Recovery^{*2}	Sets whether to delete print job after recovering from paper jam.
Tap To Print	Sets whether to add the printer to a mobile device such as a tablet or a smartphone by tapping the device to the (NFC) (NFC) reader.	

*1 This is available on certain regions.

*2 This setting does not affect fax job.

Network Settings

Specifies the PostScript 3 Compatible communication protocol for the printer.

Network Settings	PS Data Format	Sets PostScript 3 Compatible communication protocol for each interface.
-------------------------	-----------------------	-------------------------------------------------------------------------

USB Settings

Specifies USB settings of the printer.

USB Settings	USB Port	Sets whether to enable the USB interface on the printer.
	PS Data Format	Sets PostScript 3 Compatible communication protocol for each interface.
	Job Time-out	Sets the amount of time the printer waits for data to arrive from the computer.

PCL Settings

Specifies the Printer Control Language (PCL) settings.

PCL Settings	Paper Tray	Sets the paper input tray.
	Paper Size	Sets the paper size.
	Custom Paper Size - Y	Sets the length of custom size paper.
	Custom Paper Size - X	Sets the width of custom size paper.
	Orientation	Sets how text and graphics are oriented on the page.
	2 Sided Print	Sets duplex setting as the default for all print jobs.
	Font	Sets the font from the list of registered fonts.
	Symbol Set	Sets a symbol set for the specified font.
	Font Size	Sets the font size for scalable typographic fonts.
	Font Pitch	Sets the font pitch for scalable mono spaced fonts.
	Form Line	Sets the number of lines in a page.
	Quantity	Sets the number of copies to print.
	Image Enhance	Sets whether to enable the Image Enhancement feature.
	Hex Dump	Sets whether to help isolate the source of a print job problem. With Hex Dump selected, all data sent to the printer is printed in hexadecimal and character representation. Control codes are not executed.
	Draft Mode	Sets whether to print in the draft mode.
	Line Termination	Sets how to handle line terminations.
	Default Color	Sets the print color mode as Color or Black . This setting is used for print jobs without a specified color print mode.
Ignore Form Feed	Sets whether to ignore blank pages that only contain form feed control codes.	

PS Settings

Specifies printer settings that only affect jobs using the PostScript 3 Compatible emulation printer language.

PS Settings	PS Error Report	Sets whether the contents of the errors concerning PostScript 3 Compatible page description language are printed.
	PS Job Time-out	Sets the execution time for one PostScript 3 Compatible job.
	Paper Select Mode	Sets the way to select the tray for the PostScript 3 Compatible mode.
	Default Color	Sets the default color mode for the PostScript 3 Compatible mode.

PDF Settings

Specifies the PDF settings.

PDF Settings	Quantity	
	2 Sided Print	Sets whether to print on both sides of a sheet of paper.
	Print Mode	
	PDF Password	Sets a password.
	Re-enter PDF Password	Confirms the set password.
	Collation	Sets whether to sort the output.
	Output Size	
	Layout	
	Default Color	
	Detect Job Separator	Sets whether to detect the end of the job in printing PDF files successively from the USB memory.

Secure Settings

Panel Lock

Sets a limited access to *Admin Settings* with a password, and to set or change the password.

Panel Lock	Panel Lock Control*	Sets whether to enable/disable password protection for the <i>Admin Settings</i> .
	New Password	Sets a password that is required to access the <i>Admin Settings</i> .
	Re-enter Password	Confirms the set password.

* Some setting items in the Secure Settings are displayed only when this setting item is enabled.

NOTE:

- You can set the password for Dell Printer Configuration Web Tool from **Set Password** in **Print Server Settings**.

Functions Control

Specifies whether to lock the copy, scan, fax, and print functions with a password, and to set or change the password.

Functions Control	Copy	Sets whether to lock the copy function with a password.
	Scan to E-mail	Sets whether to lock the Scan to Email feature with a password.
	Fax	Sets whether to lock the fax function with a password.
	Fax Driver	Sets whether to enable or disable the fax driver function.
	Scan to Network Folder	Sets whether to lock the Scan to Network Folder feature with a password.
	Scan to Computer	Sets whether to lock the Scan to Computer feature with a password.
	PC Scan	Sets whether to lock the PC Scan feature with a password.
	Scan to USB	Sets whether to lock the Scan to USB feature with a password.
	USB Direct Print	Sets whether to lock the USB Direct Print feature with a password.
	ID Copy	Sets whether to enable or disable the ID Copy feature.
	USB Service - Show When Inserted	Sets whether to show the USB Drive Detected screen when a USB flash drive is inserted into the printer.
	Automatic Document Detected Menu	Sets whether to enable or disable to detect document loaded in the DADF and show DADF related menus on the touch panel.
	New Password	Sets a password that is required to access the copy, scan, fax, and print functions.
	Re-enter Password	Confirms the set password.

 **NOTE:**

- You can set the password for Dell Printer Configuration Web Tool from **Set Password** in **Print Server Settings**.

Secure Receive

Allows you to password protect all the incoming faxes. When the Secure Receive feature is enabled, the printer stores incoming faxes and prints them when the correct password is entered on the touch panel.

Secure Receive	Secure Receive Set	Sets whether to enable/disable password protection for all incoming faxes.
	New Password	Sets a password for incoming faxes.
	Re-enter Password	Confirms the set password.

 **NOTE:**

- You can set the password for Dell Printer Configuration Web Tool from **Set Password** in **Print Server Settings**.

Desktop Login

Select the user authentication method from either local authentication or remote authentication. To use the remote authentication method, the LDAP server or the Kerberos server is required to authenticate the user.

 **NOTE:**

- This is available on Dell S2825cdn.

Desktop Login	Desktop Authentication	Sets the authentication method.
	Authentication System	Click to display the Authentication System page and to specify the authentication system settings.
	User Login History	Select the check box to enable the User Login History feature.

Edit E-mail From Fields

Sets whether to enable editing of the transmission source when you use the Scan to Email feature.

Reconfirm Recipients

Sets whether to reconfirm before sending fax or scan jobs.

Software Download

Sets whether to enable download of firmware updates.

Display of Network Information

Sets whether to show network information in the message field of the Home screen.

Login Error

Specifies how many times an administrator can attempt to log in to **Panel Lock**, **Functions Control**, and **Secure Receive**.

NFC Authentication

Sets whether to enable the authentication using the NFC authentication card.



NOTE:

- This is available on Dell H625cdw and Dell H825cdw.

Set Available Time - Copy/Scan/Fax/Print

Specifies the time to enable the secure setting for the copy, scan, fax, and print functions.

Set Available Time	Set Available Time
	Start Time
	End Time
	Recurrence

Secure Job Expiration



NOTE:

- Secure Job Expiration feature is available only when **RAM Disk** is enabled.

Specifies the date and time to delete the files stored as Secure Print in the RAM disk.

Secure Job Expiration	Expiration Mode	Allows you to set the date to delete the files stored as Secure Print in the RAM disk.
	Expiration Time	Sets the time to delete the files stored as Secure Print in the RAM disk.
	Recurrence	Sets the period to repeat the setting.
	Weekly Settings	Sets the day of the week to repeat the setting.
	Monthly Settings	Sets the day of the month to repeat the setting.

Copy Defaults

Creates your own default copy settings.

Copy Defaults	Output Color	Sets whether to print in color or in black and white.
	Select Tray	Sets the default input tray.
	Collation	Sets whether to sort a copy job.
	Reduce/Enlarge	Sets the default reduction/enlargement ratio.
	Custom Reduce/Enlarge	Sets the custom reduction/enlargement ratio.
	Original Size	Sets the document paper size.
	Original Type	Sets the document paper type.
	Darken/Lighten	Sets the default copy density.
	Sharpness	Sets the default sharpness level.
	Color Saturation	Adjusts the saturation of colors to make the colors lighter or darker.
	Auto Exposure	Sets whether to suppress the background to enhance text on the copy.
	Auto Exposure Level	Sets the background suppression level.

Copy Color Balance

Specifies the copy color balance.

Copy Settings

Configures the copy settings.

Copy Settings	2 Sided Copying		Sets whether to print on both sides of a sheet of paper.
	Binding of Original		Sets the binding position for the two-sided copying.
	2-Up	Off	Does not perform multiple-up printing.
		Auto	Automatically reduces to fit onto one sheet of paper.
		Manual	Specify the reduce/enlarge ratio in Reduce/Enlarge .
	Margin Top/Bottom		Sets the value of the top and bottom margins.
	Margin Left/Right		Sets the value of the left and right margins.
	Margin Middle		Sets the value of the middle margin.

Fax Defaults

Creates your own default fax settings.

Fax Defaults	Resolution	Standard	Suitable for documents with normal sized characters.
		Fine	Suitable for documents containing small characters or thin lines or documents printed using a dot-matrix printer.
		Super Fine	Suitable for documents containing extremely fine detail. The super fine mode is enabled only if the remote machine also supports the Super Fine resolution.
		Photo	Suitable for documents containing photographic images.
	2 Sided Scanning		Sets whether to scan both sides of a document.
	Binding of Original		Sets the binding position for the two-sided scanning.
	Darken/Lighten		Sets the default density to fax your documents lighter or darker.
	Delayed Send		Sets the fax transmission start time when sending a fax at a specified time.

Fax Settings

Configures the fax settings.

NOTE:

- You cannot set up the items on the **Fax Settings** page unless you set up the country code under **Country**.
- Duplex print may not be done depending on the size of the received faxes or settings of the trays, etc.

Fax Line Settings	Fax Number	Allows you to enter the fax number of the printer to be printed on the header of faxes.
	Country	Sets the country where the printer is used.
	Fax Header Name	Allows you to enter a name to be printed on the header of faxes.
	Line Type	Sets the default line type; Public Switched Telephone Network (PSTN) or Private Branch Exchange (PBX).
	Line Monitor	Sets the volume of the line monitor, which audibly monitors a transmission through the internal speaker until a connection is made.
	DRPD Pattern	Sets the Distinctive Ring Pattern Detection (DRPD) setting from Pattern1 to Pattern7 . DRPD is a service provided by some telephone companies.

Incoming Defaults	Receive Mode	Telephone	Automatic fax reception is turned off. You can receive a fax by picking up the handset of the external telephone and then pressing a remote receive code, or by tapping Receive in On Hook and then tapping Receive . For details, see "Receiving a Fax Manually."
		Fax	Automatically receives faxes.
		Telephone/Fax	When the printer receives an incoming fax, the external telephone rings for the time specified in Auto Receive Tel/Fax , and then the printer receives a fax. If an incoming call is not a fax, the printer beeps from the internal speaker indicating that the call is a telephone call.
		Ans Machine/Fax	The printer can share a telephone line with an answering machine. In this mode, the printer monitors the fax signal and pick up the line if there are fax tones. If the telephone communication in your country is serial, this mode is not supported.
		DRPD	Before using the Distinctive Ring Pattern Detection (DRPD) option, a distinctive ring service must be installed on your telephone line by the telephone company. After the telephone company has provided a separate number for faxing with a distinctive ring pattern, configure the fax setup to monitor for that specific ring pattern.
		Ring Tone Volume	Sets the volume of the ring tone, which indicates that an incoming call is a telephone call through the internal speaker when Receive Mode is set to Telephone/Fax .
		Auto Receive Fax	Sets the interval at which the printer goes into the fax receive mode after answering an incoming call.
		Auto Receive Tel/Fax	Sets the interval at which the printer goes into the fax receive mode after the external telephone receives an incoming call.
		Auto Receive Answer/Fax	Sets the interval at which the printer goes into the fax receive mode after the external answering machine receives an incoming call.
		Junk Fax Setup	Sets whether to reject unwanted faxes by accepting only the faxes from the numbers registered in the phone book.
	2 Sided Printing	Sets whether to print on both sides of a sheet of paper.	
	Remote Receive	Sets whether to receive a fax by pressing a remote receive code on the external telephone.	
	Remote Receive Tone	Sets a 2-digit remote receive code when Remote Receive is On .	
	Discard Size	Sets whether to delete text or images at the bottom of a fax page when the entire page does not fit onto the output paper. Selecting Auto Reduction automatically reduces the fax page to fit it onto the output paper, and does not discard any images or text at the bottom of the page.	

Received Fax Forward	Received Fax Forward	Sets your printer to forward incoming faxes to another fax number, to e-mail addresses, or to a server.
	Forward	Forwards incoming faxes to a specified destination. Prints incoming faxes if an error occurs during the transfer.
	Forwarding Number	Allows you to enter the fax number of the destination to which incoming faxes are forwarded.
	Forward to E-mail	Forwards incoming faxes to specified e-mail addresses. Prints incoming faxes if an error occurs during the transfer.
	Forwarding E-mail Address 1	Allows you to enter the e-mail address to which incoming faxes are to be forwarded.
	Forwarding E-mail Address 2	
	Forwarding E-mail Address 3	
	Forwarding E-mail Address 4	
	Forwarding E-mail Address 5	
	Forward to Server	Forwards incoming faxes to a specified server address. Prints incoming faxes if an error occurs during the transfer.
	Server Type	Sets the server type.
	Server Address	Sets the server address registered under the server ID.
	Server Port Number	Sets the server port number.
	Login Name	Sets the login name.
	Login Password	Sets the login password.
	Re-enter Password	Enter the password again to check it.
	Share Name	Sets the shared name.
	Server Path	Sets the server path.

Transmission Defaults	Redial Attempts	Sets the number of redial attempts to make if the destination fax number is busy. If you enter 0, the printer does not redial.
	Interval of Redial	Sets the interval between redial attempts.
	Resend Delay	Sets the interval between re-send attempts.
	Tone/Pulse	Sets whether to use tone or pulse dialing.
	Prefix Dial	Sets whether to set a prefix dial number.
	Prefix Dial Number	Sets a prefix dial number of up to five digits. This number dials before any auto dial number is started. It is useful for accessing the Private Automatic Branch Exchange (PABX).
	Fax Cover Page	Sets whether to attach a cover page to faxes.
	Fax Header	Sets whether to print the information of the sender on the header of faxes.
	ECM	Sets whether to enable the Error Correction Mode (ECM). To use the ECM, the remote machines must also support the ECM.
	Modem Speed	Allows you to adjust the fax modem speed when a fax transmission or reception error occurs.
Display Manual Fax Recipients	Sets whether to show the fax number of the recipient on the <i>Sending Fax</i> screen when manually sending a fax.	
Fax Reports	Fax Activity	Sets whether to automatically print a fax activity report after every 50 incoming and outgoing fax communications.
	Fax Transmit	Sets whether to print a transmission report after every fax transmission or only when an error occurs.
	Fax Broadcast	Sets whether to print a transmission report after every fax transmission to multiple destinations or only when an error occurs.
	Fax Protocol	Sets whether to print the protocol monitor report after every fax transmission or only when an error occurs.

Scan Defaults

Creates your own default scan settings.

Scan Defaults	File Format	Sets the file format in which scanned data is to be saved.
	Output Color	Sets whether to scan in color or in black and white.
	Resolution	Sets the default scan resolution.
	Original Size	Sets the document paper size.
	2 Sided Scanning	Sets whether to scan both sides of a document.
	Binding of Original	Sets the binding position for the two-sided scanning.
	Darken/Lighten	Sets the default scan density.
	Sharpness	Sets the default sharpness level.
	Contrast	Sets the default contrast level.
	Auto Exposure	Sets whether to suppress the background to enhance text on the scanned data.
	Auto Exposure Level	Sets the default background suppression level.
	Margin Top/Bottom	Sets the value of the top and bottom margins.
	Margin Left/Right	Sets the value of the left and right margins.
	Margin Middle	Sets the value of the middle margin.
	TIFF File Format	Sets the TIFF file format to TIFF V6 or TTN2.
	Image Compression	Sets the image compression level.
	File Naming Mode	Sets the detailed settings of File Naming Mode to Auto , Add Prefix or Add Suffix .
	Prefix/Suffix String	Sets the texts that are added when Add Prefix or Add Suffix are selected.
	Create Folder	Sets whether to create a folder when saving scanned data.

Direct Print Defaults / USB Direct Print Defaults



NOTE:

- For Dell H625cdw and Dell H825cdw, **Direct Print Defaults** is displayed. For Dell S2825cdn, **USB Direct Print Defaults** is displayed.

Creates your own **Direct Print Defaults / USB Direct Print Defaults** setting.

Direct Print Defaults / USB Direct Print Defaults	Output Color	Sets whether to print in color or in black and white.
	Select Tray	Sets the default input tray.
	2 Sided Printing	Sets whether to print on both sides of a sheet of paper.
	Layout	Sets Displays the default paper layout when Layout is selected.
	Image Types	Sets the print image quality when printing documents.
	Collation	Sets whether to sort the output.
	PDF Password	Sets a password.
	Re-enter PDF Password	Confirms the set password.

MIFARE Customized Card

Registers SSFC formatted NFC ID cards.

User ID Block 1	Allows you to register the MIFARE Customized Card.
User ID Block 2	
User ID Block 3	

 **NOTE:**

- This is available on Dell H625cdw and Dell H825cdw.

Printer Maintenance

The **Printer Maintenance** tab includes the **Paper Density**, **Adjust Transfer Belt Unit**, **Adjust 2nd BTR**, **Adjust Fusing Unit**, **Color Registration Adjustments**, **Clean Developer**, **Reset Defaults**, **Initialize Print Meter**, **Clear Stored Jobs**, **Non-Dell Toner**, **Adjust Altitude**, **Clock Settings**, and **Web Link Customization** pages.

Paper Density

Specifies the paper density for the plain paper and labels.

Adjust Transfer Belt Unit

Adjusts the transfer bias when the faint image of the previous page, a part of the page currently printing, etc. appear on the output.

Adjust Transfer Belt Unit	K Offset	If faint black colored ghosts appear, try to decrease the value.
	YMC Offset	If faint ghosts in color (yellow, magenta, or cyan) appear, try to decrease the value.

Adjust 2nd BTR

Specifies the optimum voltage settings for printing for the 2nd Belt Transfer Roller (2nd BTR). To lower the voltage, set negative values. To increase, set positive values. If you see mottles on the print output, try to increase the voltage. If you see white spots on the print output, try to decrease the voltage.

 **NOTE:**

- The print quality changes depending on the setting values you select for this item.

Adjust 2nd BTR	Plain (60-90g/m²)	Sets the reference voltage setting for the transfer roller for each paper type.
	Plain Thick (91-105g/m²)	
	Covers (106-176g/m²)	
	Covers Thick (177-220g/m²)	
	Coated (106-176g/m²)	
	Coated Thick (177-220g/m²)	
	Label	
	Envelope	
	Recycled	

Adjust Fusing Unit

Specifies the optimum temperature settings for printing for the fusing unit. To lower the temperature, set negative values. To increase, set positive values. When the printouts are

curled, try to lower the temperature. When the toner does not fuse on the paper properly, try to increase the temperature.

 **NOTE:**

- The print quality changes depending on the setting values you select for this item.

Adjust Fusing Unit	Plain (60-90g/m²)	Sets the temperature settings for the fusing unit for each paper type.
	Plain Thick (91-105g/m²)	
	Covers (106-176g/m²)	
	Covers Thick (177-220g/m²)	
	Coated (106-176g/m²)	
	Coated Thick (177-220g/m²)	
	Label	
	Envelope	
	Recycled	

Color Registration Adjustments

Specifies whether to automatically perform color registration adjustment.

Clean Developer

Stirs the developer in the drum cartridge and cleans the transfer unit.

Clean Developer	Clean Developer and Transfer Unit	Click Start to stir the developer in the drum cartridge and clean the transfer unit.
	Yellow Toner Refresh	Click Start to expel the toner in the drum cartridge, and supply the fresh toner from the toner cartridge.
	Magenta Toner Refresh	
	Cyan Toner Refresh	
	Black Toner Refresh	

Reset Defaults

Initializes the non-volatile (NV) memory. After executing this setting and restarting the printer, all the menu parameters are reset to their default values.

Reset Defaults	Reset Defaults User Fax Section and restart printer.	Click Start to reset the fax number entries in the address book.
	Reset Defaults User Scan Section and restart printer.	Click Start to reset the e-mail and server address entries in the address book.
	Reset Defaults User Account Section and restart printer.*	Click Start to reset the user account entries.
	Reset Defaults User App Section and restart printer.*	Click Start to reset the user application entries.
	Reset Defaults System Section and restart printer.	Click Start to reset the system parameters.
	Power On Wizard	Click Start to perform the initial setup for the printer.

* This is available on Dell H625cdw and Dell H825cdw.

Initialize Print Meter

Initializes the print meter of the printer. When the print meter is initialized, the meter count is reset to 0.

Clear Stored Jobs

 **NOTE:**

- Clear Stored Jobs feature is available only when **RAM Disk** is enabled.

Clears all files stored in the RAM disk.

Clear Stored Jobs	All	Click Start to clear all files stored as Secure Print, Proof Print, Private Mailbox, and Public Mailbox in the RAM disk.
	Secure Document	Click Start to clear all files stored as Secure Print in the RAM disk.
	Stored Document	Click Start to clear all files stored as stored print in the RAM disk.

Non-Dell Toner

Uses toner cartridge of another manufacturer.

 **CAUTION:**

- Using a non-Dell toner cartridge may severely damage the printer. The warranty does not cover damages caused by using non-Dell toner cartridges.

Adjust Altitude

Specifies the altitude of the location where the printer is installed.

The discharge phenomenon for charging the photo conductor varies with barometric pressure. Adjustments are performed by specifying the altitude of the location where the printer is being used.

Clock Settings

Specifies the clock settings.

Machine Clock	Date Format
	Time Format
	Time Zone
	Set Date
	Set Time

Web Link Customization

Specifies a link used for ordering consumables, which can be accessed from **Order Supplies at:** in the left frame.

Web Link Customization	Select Reorder URL	Sets a URL to be linked to Order Supplies at:
	Regular	Displays the regular URL (http://accessories.us.dell.com/sna) that can be linked to Order Supplies at: .
	Premier	Displays the premier URL (http://premier.dell.com) that can be linked to Order Supplies at: .

Print Server Settings

Use the **Print Server Settings** menu to set the type of printer interface and the necessary conditions for communication.

Print Server Reports

The **Print Server Reports** tab includes the **Print Server Setup Page** and the **E-Mail Server Setup Page**.

Print Server Setup Page

Displays the current settings of the print server and network.

E-Mail Server Setup Page

Displays the current settings of the e-mail server, e-mail alert, and e-mail report.

Print Server Settings

The **Print Server Settings** tab includes the **Basic Information, Port Settings, TCP/IP, SMB, E-Mail Server, Bonjour (mDNS), SNMP, Scan to Network Folder, SNTP, AirPrint, Mopria, Google Cloud Print, Dell Document Hub, Proxy Server, Wi-Fi, Wi-Fi Direct,** and **Reset Print Server** pages.

Basic Information

Configures basic information of the printer.

System Settings	Printer Name	
	Location	Sets the location of the printer.
	Contact Person	Sets the contact name, number, and other information of the printer administrator and service center.
	Administrator E-Mail Address	Sets the contact address of the printer administrator and service center.
	Asset Tag Number	

Dell Printer Configuration Web Tool Settings	Auto Refresh	Automatically refreshes the contents of the status display pages.
	Auto Refresh Interval	Sets the time interval for refreshing the contents of the status display pages automatically.

 **NOTE:**

- The **Auto Refresh** feature is effective for the contents of the top frame, **Printer Status** page, **Job List** page, and **Completed Jobs** page.

Port Settings

Enables or disables printing ports and management protocol features.

Ethernet*	Ethernet Settings	Auto	Detects the Ethernet transmission rate and the duplex mode.
		10Base-T Half-Duplex	Specifies as the default value.
		10Base-T Full-Duplex	
		100Base-TX Half-Duplex	
		100Base-TX Full-Duplex	
		1000Base-T Full-Duplex	
		Current Ethernet Settings	
		MAC Address	
		Energy Efficient Ethernet	Select the check box to enable the Energy Efficient Ethernet feature.
	Port Status	LPD	Sets whether to enable each item.
Port9100			
IPP			
WSD Print			
WSD Scan			
Network TWAIN			
FTP			
SMB			
Bonjour (mDNS)			
E-Mail Alert			
Telnet			
SNMP			
Update Address Book			
SNTP			
Google Cloud Print			
Print from Widget Apps			
Scan to Widget Apps			

* This item is available only when the printer is connected using an Ethernet cable.

 **NOTE:**

- The settings in the **Port Settings** page become valid only when the printer is restarted. When you change or configure the settings, click the **Apply New Settings** button to apply the new settings.

TCP/IP

Configures the IP address, subnet mask, and gateway address of the printer.

TCP/IP Settings	IP Mode	
	Host Name	
	IPv4	<p>IP Address Mode Sets the method for acquiring the IP address.</p> <p>Manual IP Address When an IP address is being set manually, the IP is allocated to the printer using the format <i>nnn.nnn.nnn.nnn</i>. Each octet that makes up <i>nnn.nnn.nnn.nnn</i> is a value in the range of 0 to 254. 127 and any value in the range of 224 to 254 cannot be specified for the first octet of a gateway address.</p> <p>Manual Subnet Mask When an IP address is being set manually, the subnet mask is specified using the format <i>nnn.nnn.nnn.nnn</i>. Each octet that makes up <i>nnn.nnn.nnn.nnn</i> is a value in the range of 0 to 255. 255.255.255.255 cannot be specified as the subnet mask.</p> <p>Manual Gateway Address When an IP address is being set manually, the gateway address is specified using the format <i>nnn.nnn.nnn.nnn</i>. Each octet that makes up <i>nnn.nnn.nnn.nnn</i> is a value in the range of 0 to 254. 127 and any value in the range of 224 to 254 cannot be specified for the first octet of a gateway address.</p>
	IPv6	<p>Enable Stateless Address Select the check box to enable the stateless address.</p> <p>Use Manual Address Select the check box to set the IP address manually.</p> <p>Get IP Address from DHCP Allows you to enable or disable the automatic setting of the IP address via DHCP.</p> <p>Manual Address Sets the IP address. To specify an IPv6 address, enter the address followed by a slash (/) and then "64." For details, contact your system administrator.</p> <p>Manual Gateway Address Sets the gateway address.</p>

DNS	DNS Domain Name		
	IPv4	Get DNS Server Address from DHCP	Allows you to enable or disable the automatic setting of the DNS server address via DHCP.
		Manual DNS Server Address	Manually sets the DNS server address in xxx.xxx.xxx.xxx format when Get DNS Server Address from DHCP is not selected.
	IPv6	Get DNS Server Address from DHCPv6-lite	Select the check box to get the DNS server address automatically from the DHCPv6-lite server.
		Manual DNS Server Address	Sets the DNS server address.
	DNS Dynamic Update (IPv4)		Select the check box to enable dynamic updates to DNS.
	DNS Dynamic Update (IPv6)		Select the check box to enable dynamic updates to DNS.
	Auto Generate Search List		Select the check box to automatically generate the search list.
	Search Domain Name		Sets the search domain name. Up to 255 alphanumeric characters, periods, and hyphens can be used. If you need to specify more than one domain name, separate them using a comma or semicolon.
	Time-out		Sets the time-out period.
Priority to IPv6 DNS Name Resolution		Select the check box to enable the DNS Name Resolution feature.	
WINS	WINS Mode		Allows you to enable or disable the automatic setting of the primary and secondary WINS server addresses via DHCP.
	WINS Primary Server		Manually sets the primary WINS server address in xxx.xxx.xxx.xxx format when WINS Mode is not selected.
	WINS Secondary Server		Manually sets the secondary WINS server address in xxx.xxx.xxx.xxx format when WINS Mode is not selected.
LPD	Connection Time-Out	Sets the connection time-out period.	
Port9100	Port Number	Sets the port number from 9000 to 9999.	
	Connection Time-Out	Sets the connection time-out period.	
IPP	Printer URI	Displays the printer URI.	
	Connection Time-Out	Sets the connection time-out period.	
	Port Number	Displays the port number for receiving requests from the client.	
	Maximum Sessions	Displays the maximum number of connections received simultaneously by the client.	

WSD	Port Number	Sets the port number to 80 or from 8000 to 9999.
	Receive Time-Out	Sets the receive time-out period.
	Notification Time-Out	Sets the notification time-out period.
	Maximum Number of TTL	Sets the maximum number of TTL from 1 to 10.
	Maximum Number of Notification	Sets the maximum number of notifications from 10 to 20.
Network TWAIN	Connection Time-Out	Sets the connection time-out period.
FTP	Password	Sets the password for FTP.
	Re-enter Password	Enter the password again to check it.
	Connection Time-Out	Sets the connection time-out period.
HTTP	Port Number	Sets the port number to 80 or from 8000 to 9999.
	Simultaneous Connections	Displays the maximum number of simultaneous connections.
	CSRF Protection	Select the check box to enable the CSRF Protection.
	Connection Time-Out	Sets the connection time-out period.
Telnet	Password	Sets the password for Telnet.
	Re-enter Password	Confirms the set password.
	Connection Time-Out	Sets the connection time-out period.
Update Address Book	Connection Time-Out	Sets the connection time-out period.

SMB

Specifies the setting of the Server Message Block (SMB) protocol.

SMB	Host Name	Sets the host name of the server computer.
	Workgroup	Sets the workgroup.
	Maximum Sessions	Sets the maximum number of sessions.
	Unicode Support	Sets whether to notify the host name and workgroup name in Unicode characters during SMB transmission.
	Auto Master Mode	Sets whether to enable the Auto Master Mode.
	Encrypt Password	Sets whether to encrypt the password.
	Job Time-Out	Sets the job time-out period.
	Connection Time-Out	Sets the connection time-out period.

E-Mail Server

Configures detailed settings of E-Mail Server, E-Mail Alert and E-Mail Report. This page can also be displayed by clicking **E-Mail Server Settings Overview** in the left frame.

E-Mail Server Settings	Primary SMTP Gateway	Sets the primary SMTP gateway.	
	SMTP Port Number	Sets the SMTP port number. This must be 25, 465, 587 or between 5000 and 65535.	
	E-Mail Send Authentication	Sets the authentication method for outgoing e-mail.	
	SMTP Login User	Sets the SMTP login user. Up to 63 alphanumeric characters, periods, hyphens, underscores, and at symbols (@) can be used. If specifying more than one address, separate them using commas.	
	SMTP Login Password	Sets the SMTP account password using up to 31 alphanumeric characters.	
	Re-enter SMTP Login Password	Confirms the set SMTP account password.	
	POP3 Server Address*	Sets the POP3 server address of <i>pop.gmail.com</i> or as a DNS host name using up to 63 characters.	
	POP3 Port Number*	Sets the POP3 server port number. This must be 110 or between 5000 and 65535.	
	POP User Name*	Sets the POP3 account user name. Up to 63 alphanumeric characters, periods, hyphens, underscores, and at symbols (@) can be used. If specifying more than one address, separate them using commas.	
	POP User Password*	Sets the POP3 account password using up to 31 alphanumeric characters.	
	Re-enter POP User Password*	Confirms the set password.	
	Reply Address	Designates the reply e-mail address sent with each E-mail Alert.	
	SMTP Server Connection	Displays the status of the SMTP server connection.	
E-Mail Alert Settings	E-Mail List 1	Sets acceptable e-mail addresses for the E-Mail Alert feature using up to 255 alphanumeric characters.	
	Select Alerts for List 1	Supplies Alerts	Select the check box to receive an E-Mail Alert for consumables.
		Paper Handling Alerts	Select the check box to receive an E-Mail Alert for paper handling.
		Service Call	Select the check box to receive an E-Mail Alert for Service Calls.
	E-Mail List 2	Sets acceptable e-mail addresses for the E-Mail Alert feature using up to 255 alphanumeric characters.	
	Select Alerts for List 2	Supplies Alerts	Select the check box to receive an E-Mail Alert for consumables.
		Paper Handling Alerts	Select the check box to receive an E-Mail Alert for paper handling.
Service Call		Select the check box to receive an E-Mail Alert for Service Calls.	

E-Mail Report Settings	History Report	Sets whether to receive the job history report by e-mail after every 20 print, copy, scan, and fax jobs.
	Statistics Report	Sets whether to receive the statistic report by e-mail on the use of print, copy, scan, and fax.
	Volume Report	Sets whether to receive the print volume report by e-mail.
	Transmission Time	Sets what time the reports are sent.
	Recurrence	Sets at what recurrence the reports are sent.
	Weekly Settings (for Weekly only)	Sets the day of the week the reports are sent.
	Monthly Settings (for Monthly only)	Sets the day of the month the reports are sent.
	Destination E-Mail Address 1	Allows you to enter the e-mail address to which the reports are sent to.
	Destination E-Mail Address 2	Allows you to enter the e-mail address to which the reports are sent to.

* This item is available only when **POP before SMTP (Plain)** or **POP before SMTP (APOP)** for **E-Mail Send Authentication** is selected.

Bonjour (mDNS)

Configures the detailed settings of Bonjour.

LAN1*	Host Name	Sets the host name up to 63 alphanumeric characters and "-" (hyphen). The original setting remains valid if no input is made.
	Printer Name	Sets the printer name up to 63 alphanumeric characters and symbol sets. The original setting remains valid if no input is made.
	Wide-Area Bonjour	Select the check box to enable the Wide-Area Bonjour protocol.
LAN2*	Host Name	Sets the printer name up to 63 alphanumeric characters and symbol sets. The original setting remains valid if no input is made.
	Printer Name	Sets the printer name up to 63 alphanumeric characters and symbol sets. The original setting remains valid if no input is made.

* This is available on Dell H625cdw and Dell H825cdw.

SNMP

Configures the detailed settings of SNMP.

SNMP Configuration	Enable SNMP v1/v2c Protocol	Select the check box to enable the SNMP v1/v2c protocol.
	Edit SNMP v1/v2c Properties	Click to display the SNMP v1/v2c page and to edit the setting of SNMP v1/v2c protocol from the page.
	Enable SNMP v3 Protocol	Select the check box to enable the SNMP v3 protocol.
	Edit SNMP v3 Properties	Click to display the SNMP v3 page and to edit the setting of SNMP v3 protocol from the page. You can click this item only when SSL/TSL communication is enabled.
Community Name	Community Name (Read only)^{*1}	Sets the community name to access (read only) data using up to 31 alphanumeric characters. The original setting remains valid if no input is made. Characters entered for community name in the previous settings are not displayed on the screen. The default Read Community is public.
	Re-enter Community Name (Read only)^{*1}	Enter the community name to access (read only) data again to check it.
	Community Name (Read/Write)^{*1}	Sets the community name to access (read and write) data using up to 31 alphanumeric characters. The original setting remains valid if no input is made. Characters entered for community name in the previous settings are not displayed on the screen. The default Read/Write Community is private.
	Re-enter Community Name (Read/Write)^{*1}	Enter the community name to access (read and write) data again to check it.
	Community Name (Trap)^{*1}	Sets the community name used for trap up to 31 alphanumeric characters. The original setting remains valid if no input is made. Characters entered for Community Name (Trap) in the previous settings are not displayed on the screen. The default Trap Community is " " (NULL).
	Re-enter Community Name (Trap)^{*1}	Enter the community name used for trap again to check it.
Trap Notification 1-4	Trap Address Type	Select the check boxes to notify trap occurrence. In this case, specify the IP address and IP socket in the following format:
	Trap Address	IPv4
	Port Number	Specify the IP address and IP socket in the <i>nnn.nnn.nnn.nnn:mmmmm</i> format. Each section of <i>nnn</i> is a variable value between 0 and 255. Note that values 127 and 224-254 are not valid for the first three-digits only. IP socket <i>mmmmm</i> is a variable value between 0 and 65,535.
	Notify Network^{*2}	IPv6 Specify the IP address and IP socket in the <i>xxxx:xxx:xxx:xxx:xxx:xxx:xxx:xxx:mmmmm</i> format. Each section of <i>XXXX</i> is a hexadecimal variable value between 0 and ffff. IP socket <i>mmmmm</i> is a variable value between 0 and 65,535.
	Authenticate Error Trap	Select the check box to notify Authenticate Error Trap.

^{*1} The default value can be changed by using Dell Printer Configuration Web Tool.

*2 This item is available only when **Wi-Fi Direct** is set to **Enable**.
 The Wi-Fi Direct feature is available on Dell H625cdw and Dell H825cdw.

SNMP v3

Edits the detailed settings of SNMP v3 protocol.

To enter this page, click **Edit SNMP v3 Properties** in the **SNMP** page.

Administrator Account	Account Enabled	Select the check box to enable the administrator account.
	User Name	Enter the user name of the administrator account.
	Authentication Password	Sets the authentication password of the administrator account using 8 to 32 alphanumeric characters.
	Re-enter Authentication Password	Confirms the set password.
	Privacy Password	Sets the privacy password of the administrator account using 8 to 32 alphanumeric characters.
	Re-enter Privacy Password	Confirms the set password.
Print Drivers / Remote Client Account	Account Enabled	Select the check box to enable the print drivers and remote client account.
	Reset to default Password	Click to reset the password for the print drivers and remote client account to default.

Scan to Network Folder

Specifies the client when scanning data.

FTP Client	Connection Time-Out	Sets the connection time-out period.
	FTP Passive	Sets whether to enable the FTP Passive mode.
SMB Client	Connection Time-Out	Sets the connection time-out period.
	SMB Protocol	Sets the SMB protocol.

SNTP

Configures the SNTP server settings in order to perform time synchronization through SNTP.

SNTP	IP Address / Host Name	Sets the IP address or the host name of the SNTP server.
	Connection Time-Out	Sets the connection time-out period.
	Time Synchronization Interval	Sets the interval for performing time synchronization using SNTP.
	Last Connection Time	Displays the last date and time when the printer was connected to the SNTP server.
	Connection Status	Displays the status of the connections between the SNTP server and the printer.

AirPrint

Configures the detailed setting of AirPrint.

AirPrint	Enable AirPrint	Select the check box to enable the printer for AirPrint.
-----------------	------------------------	----------------------------------------------------------

Bonjour	Name	Enter the name that is to be displayed as an AirPrint printer.
	Location	Enter the location of the printer.
	Geo-Location	Enter the physical location of the printer.
IPP Authentication	Basic Authentication	Select the check box to enable the basic authentication scheme.
	User Name	Enter the user name.
	Password	Enter the user password.
	Re-enter Password	Re-enter the user password for confirmation.
SSL/TLS	SSL/TLS	Click Settings to display the SSL/TLS page.
Supply Levels	Cyan Toner Cartridge	Displays the toner level.
	Magenta Toner Cartridge	
	Yellow Toner Cartridge	
	Black Toner Cartridge	

Mopria

Enable to use Mopria Print Service.

NOTE:

- The **Enable** button is disabled, when both Bonjour (mDNS) and IPP are enabled.

Google Cloud Print

Registers the printer to Google Cloud Print.

Google Cloud Print*	(Registration state)	Displays the Google Cloud Print registration state.
	Register This Device to Google Cloud Print	Click to register the printer to Google Cloud Print.

* Google Cloud Print can only be used when the printer is using IPv4.

Dell Document Hub

Configures the connections to the Dell Document Hub Server.

NOTE:

- Dell Document Hub is available on Dell H625cdw and Dell H825cdw.

Dell Document Hub	Connection Time-Out	Sets the time duration until the connection becomes time-out.
	Polling Interval	Sets the interval time for polling.

Proxy Server

Configures the Proxy Server settings.

Proxy Server	Use Proxy Server	Sets whether to enable the use of a proxy server.
	Address to Bypass Proxy Server	Sets the address to bypass proxy server.
	Server Name	Sets the name of the proxy server.
	Port Number	Sets the port number from 1 to 65535.
	Authentication	Sets whether to enable authentication.
	Login Name	Sets the login name for the proxy server.
	Password	Sets the login password for the proxy server.
	Re-enter Password	Confirms the set password.

Wi-Fi

Configures the detailed setting for the wireless network.

To use the wireless network, make sure to disconnect the Ethernet cable.

NOTE:

- Wi-Fi feature is available only when the printer is connected using the wireless network.
- Wireless network is available on Dell H625cdw and Dell H825cdw.
- Once Wi-Fi is activated, wired LAN protocol is disabled.

Wi-Fi Settings	Wi-Fi	Sets whether to enable the Wi-Fi connection.
	SSID	Sets the name that identifies the wireless network. Up to 32 alphanumeric characters can be entered.
	Network Type	Sets the network type from either Ad-Hoc or Infrastructure .
	MAC Address	Displays the MAC address of the printer.
	Link Channel	Displays the channel number of the wireless connection for the printer.
	Link Quality	Displays the quality of the wireless network connection for the printer.

Security Settings	Encryption	Select the encryption type from the list.
	No Security	Sets No Security to configure the wireless setting without specifying an encryption type from WEP, WPA-PSK, and WPA-Enterprise.
	WEP	Sets the WEP to use through the wireless network.
	WPA-PSK AES/WPA2-PSK AES^{*1, 2}	Sets the WPA-PSK AES/WPA2-PSK AES to use through the wireless network.
	WPA-Enterprise- AES/WPA2- Enterprise- AES^{*2, 3}	Sets the WPA-Enterprise AES/WPA2-Enterprise AES to use through the wireless network.
	Mixed Mode PSK^{*1, 2}	Sets the Mixed Mode PSK to use through the wireless network. Mixed Mode PSK automatically selects the encryption type from either WPA-PSK AES or WPA2-PSK AES.
	Mixed Mode Enterprise^{*2, 3}	Sets the Mixed Mode Enterprise to use through the wireless network. Mixed Mode Enterprise automatically selects the encryption type from either WPA-Enterprise AES or WPA2-Enterprise AES.

WEP	Encryption	Select the WEP key code from either Hex or Ascii .
	WEP Key 1	Sets the WEP key set used through the wireless network only when WEP 128bit or WEP 64bit is selected for Encryption .
	Re-enter WEP Key 1	Enter the WEP key 1 again to check it.
	WEP Key 2	Sets the WEP key set used through the wireless network only when WEP 128bit or WEP 64bit is selected for Encryption .
	Re-enter WEP Key 2	Enter the WEP key 2 again to check it.
	WEP Key 3	Sets the WEP key set used through the wireless network only when WEP 128bit or WEP 64bit is selected for Encryption .
	Re-enter WEP Key 3	Enter the WEP key 3 again to check it.
	WEP Key 4	Sets the WEP key set used through the wireless network only when WEP 128bit or WEP 64bit is selected for Encryption .
	Re-enter WEP Key 4	Enter the WEP key 4 again to check it.
	Transmit Key^{*5}	Sets the transmit key type from the list.
WPA-PSK	Passphrase/Key	Sets the passphrase.
	Re-enter Passphrase/Key	Enter the passphrase again to check it.
WPA-Enterprise^{*4}	EAP-Identity	Sets the EAP-Identity for the authentication.
	Authentication Method	Shows the authentication method.
	Login Name	Sets the login name for the authentication.
	Password	Sets the password.
	Re-enter Password	Enter the password again to check it.

^{*1} For encryption, AES method is used.

^{*2} This item is available only when **Infrastructure** is selected for **Network Type**.

^{*3} For authentication and encryption by digital certificate, AES method is used.

^{*4} To activate the setting, import a certificate which supports wireless LAN (server/client) on the **SSL/TLS** pages, and enable the relevant certificate in advance.

^{*5} When **Auto** is selected for **Transmit Key**, the key set specified for **WEP Key 1** is used.

Wi-Fi Direct

Configures the detailed setting of the Wi-Fi Direct connection.

NOTE:

- Wi-Fi Direct is available on Dell H625cdw and Dell H825cdw.

Wi-Fi Direct	Wi-Fi Direct	Sets whether to enable the Wi-Fi Direct connection.
	Group Role	Sets the group role of the printer.
	Device Name	Specifies the printer name that identifies the Wi-Fi Direct network with up to 32 alphanumeric characters. Check it when selecting the printer name on your mobile device.
	WPS Setup	Configures the Wi-Fi Direct network using Wi-Fi Protected Setup (WPS).
	Group Owner	Sets the printer as the Group Owner when using Wi-Fi Direct. Setting the printer to become the group owner makes it possible for mobile devices to discover the printer. The SSID of the printer is displayed in the list of wireless networks on your mobile device.
	SSID (Character string following "DIRECT-**")	Specifies a name to identify the Wi-Fi Direct network. Up to 32 alphanumeric characters can be entered. "DIRECT-" cannot be changed.
	Passphrase	Displays the passphrase. Check it when entering the passphrase into your mobile device.
	IP Address	Displays the IP address of the Wi-Fi Direct adapter.
	Subnet Mask	Displays the subnet mask.
	Status	Displays the status.
	Paired Device	Displays the mobile name currently connected.
	Current Role	Displays the current group role of the printer.
	Current SSID	Displays the current SSID. Check it selecting the Wi-Fi Direct network name on your mobile device.

Reset Print Server

Initializes NVRAM (non-volatile RAM) for the network feature and restarts the printer. You can also initialize NVRAM of the printer from **Reset Defaults** in the **Printer Settings** menu.

Initialize NIC NVRAM Memory and restart printer.	Click Start to initialize NVRAM, revert network settings to the factory default settings, and restart the network capability.
Restart Printer	Click Start to restart the printer.

Security

The **Security** tab includes **Set Password, Authentication System, Kerberos Server, LDAP Server, LDAP Authentication, LDAP User Mapping, SSL/TLS, IPsec, 802.1x, IP Filter,** and **SMTP Domain Filtering** pages.

Set Password

Specifies the password that is required to access the setup parameters of the printer from Dell Printer Configuration Web Tool. This page can also be displayed by clicking **Set Password** in the left frame.

NOTE:

- To restore the password to the default (NULL), initialize the non-volatile memory (NVM).
- You can set the password for access to Admin Settings.

Set Password	Administrator Password	Sets the password using up to 128 alphanumeric characters.
	Re-enter Administrator Password	Confirms the set password.
	Access denial by the authentication failure of the Administrator	Sets the amount of time the administrator should wait for the access to the printer setup from Dell Printer Configuration Web Tool. The access is denied if the time-out time is exceeded. If you set 0, this mode is disabled.

Authentication System

Specifies the server authentication type, the server response time-out, or the search time-out.

Authentication Type	Authentication System Settings	Select the authentication system from the list.
Authentication Type (for ColorTrack PRO)*	Authentication System Settings	Select the authentication system from the list. When the server you are accessing uses the Kerberos authentication, select Kerberos (Windows) as the authentication method and specify the server settings in "Kerberos Server."
Optional Information	Server Response Time-Out	Sets the amount of time the printer should wait for response from the server.
	Search Time-Out	Sets the amount of time the printer should wait for searching for the server.

* This is available on Dell S2825cdn.

Kerberos Server

Specifies the settings for the Kerberos server.

Kerberos Server	Kerberos server 1- 5 IP Address / Host Name & Port	Sets the IP address or host name, and the port address.
	Domain Name	Specifies each information.
Kerberos Server (for ColorTrack PRO)*	IP Address / Host Name & Port	Sets the IP address or host name, and the port address.
	Domain Name	Enter the domain name.

* This is available on Dell S2825cdn.

LDAP Server

Specifies the settings of the LDAP server.

Server Information	IP Address / Host Name & Port	Sets IP address or the host name, and the port address.
	LDAP Server	Displays the current software information of the LDAP server.

Optional Information	Search Directory Root	Enter the starting point to search for a destination. Example: cn=users, dc=example, dc=com
	Login Credentials to Access LDAP Server	Select the credential used to access the LDAP server. To use anonymous login, select None and make sure that the LDAP server accepts anonymous login.
	Login Name	Enter the login name.
	Password	Enter the login password using 1 to 127 alphanumeric characters. If the password is left blank (NULL), you cannot log in to a server.
	Re-enter Password	Enter the login password again to check it.
	Search Time-Out	Select Wait LDAP Server Limit to follow the time specified by the LDAP server. Select Wait to specify the time.
	Search Name Order	Sets the search order.
	Server Address Book	Select the check box to enable the server address book.
Server Information (for ColorTrack PRO)*	Server Phone Book	Select the check box to enable the server phone book.
	IP Address / Host Name & Port	Sets IP address or the host name, and the port address. The port address must be 389, 636, 3268, 3269, or between 5000 and 65535. When LDAPS communication is required, set the port number to 636, and when you use the global catalog, set the port number to 3269.
	LDAP Server	Displays the current software information of the LDAP server.
Optional Information (for ColorTrack PRO)*	Search Directory Root	Enter the search directory root.
	Login Name	Enter the login name.
	Password	Enter the login password using 1 to 127 alphanumeric characters.
	Re-enter Password	Enter the login password again to confirm it.
	Search Time-Out	Select Wait LDAP Server Limit to follow the time specified by the LDAP server. Select Wait to specify the time.

* This is available on Dell S2825cdn.

 **NOTE:**

- **Server Address Book** must be set to **On** before you can use the server address book for the Scan to Email feature.
- **Server Phone Book** must be set to **On** before you can use the server phone book for the fax function.

LDAP Authentication

Specifies the LDAP server authentication method.

LDAP Authentication	Authentication Method	Shows the authentication method.
	Use Added Text String	Select whether to use the added text string from the list.
	Text String Added to User Name	Enter the added text string.

LDAP Authentication (for ColorTrack PRO)*		Specifies the LDAP server authentication method.
	Authentication Method	Shows the authentication method.
	Use Added Text String	Select whether to use the added text string from the list.
	Text String Added to User Name	Enter the added text string.

* This is available on Dell S2825cdn.

LDAP User Mapping

Specifies the settings of the LDAP user mapping.

LDAP User Mapping	Common Name	Sets the attribute type of the common name set for the LDAP server.
	Surname	Sets the attribute type of the surname set for the LDAP server.
	Given Name	Sets the attribute type of the given name set for the LDAP server.
	E-mail Address	Sets the attribute type of the e-mail address set for the LDAP server.
	Fax Phone	Sets the attribute type of the fax phone number set for the LDAP server.

SSL/TLS

Specifies the settings for the SSL/TLS encryption communication to the printer, and set/delete the certificate used for IPsec, LDAPS, or Wi-Fi.

NOTE:

- Wireless network is available on Dell H625cdw and Dell H825cdw.

SSL/TLS	HTTP - SSL/TLS Communication*¹	Select the check box to enable the HTTP-SSL/TLS Communication.
	HTTP - SSL/TLS Communication Port Number	Sets the port number, which is not identical with that of HTTP for SSL/TLS. This must be 443 or between 8000 and 9999.
	LDAP - SSL/TLS Communication	Select the check box to enable the LDAP, and access is established using SSL/TLS communication.
	SMTP - SSL/TLS Communication	Sets the type of SSL/TLS used to communicate with the SMTP server.
	MD5	Select the check box to enable the MD5.

Machine Digital Certificate	Generate Self-Signed Certificate^{*2}	Click to display the Generate Self-Signed Certificate page and to create a security certification from the page. The Generate Self-Signed Certificate button is available only when the self-signed certificate is not generated.
	Public Key Method	Select the public key method of the self-signed certificate.
	Size of Public Key	Select the size of public key.
	Issuer	Sets the issuer of self-signed certificate.
	Validity	Enter the valid days from 1 to 9999 days.
	Generate Signed Certificate	Click to generate the self-signed certificate.
	Certificate Signing Request (CSR)	Click to display the Certificate Signing Request (CSR) page and to create a certificate signing request from the page.
	Digital Signature Algorithm	Select the digital signature algorithm.
	Public Key Size	Select the public key size.
	2 Letter Country Code (Required)	Enter the 2-letter country code.
	State / Province Name	Enter the state or province name up to 16 bytes.
	Locality Name	Enter the locality name up to 32 bytes.
	Organization Name (Required)	Enter the organization name up to 32 bytes.
	Organization Unit (Required)	Enter the organization unit up to 32 bytes.
	Common Name	Enter the common name.
	E-mail Address	Enter the e-mail address.

Machine Digital Certificate	Upload Signed Certificate^{*2}	Click to display the Upload Signed Certificate page and to upload the certificate file to the device from the page.
	Password	Enter the password to upload the certificate file.
	Re-enter Password	Enter the password again for confirmation.
	File Name	Click Browse to browse the file name to upload to the device.
	Import	Click Import to upload the certificate file to the device.
Certificate Management^{*2}		Click to display the Certificate Management page and to manage a security certification from the page.
	Category	Select the device to certificate.
	Certificate Purpose	Select the connection to certificate.
	Certificate Order	Select the order to certificate.
	Display the List	Click to display the Certificate List page.
Delete All Certificates	Delete	Click to delete all the certificates.
	Cancel	
Certificate List^{*2}	Category	Displays the device to certificate selected at the Certificate Management page.
	Certificate Purpose	Displays the connection to certificate selected at the Certificate Management page.
	Issued To	Displays the list of certificate order.
	Validity	Displays whether certificate is valid or not.
	Certificate Details	Click to display the Certificate Details page. The SSL/TLS page is displayed when no item in the Issued To column is selected.

Machine Digital Certificate	Certificate Details^{*2}	Category	Displays the device to certificate selected at the Certificate Management page or SSL/TLS page.
		Issued To	Displays the device to certificate.
		Issuer	Displays the issuer to certificate.
		Serial Number	Displays the serial number of the device.
		Public Key Method	Displays the public key method.
		Size of Public Key	Displays the size of public key.
		Valid From	Displays the time the certificate is valid.
		Valid Until	Displays the time the certificate is invalid.
		Status	Displays whether certificate is valid or not.
		Certificate Purpose	Displays the purpose of certificate.
		Certificate Selection Status	Displays the type of device certificate you selected.
		E-mail Address	Displayed only when an e-mail address is specified in the certificate.
		Use this certificate	Click to apply this certificate to the device.
		Delete	Click to delete this certificate.
		Export This Certificate	Click to export the certificate to the other device.
Certificate Signing Request (CSR) Details	2 Letter Country Code (Required)	Displays the details of the Certificate Signing Request (CSR).	
	State / Province Name		
	Locality Name		
	Organization Name (Required)		
	Organization Unit (Required)		
	Common Name		
	E-mail Address		

*1 This item is available only when the self-signed certificate has been generated.

*2 This item is effective only when connected via SSL/TLS (https). Only the administrator is allowed to display the pages.

IPsec

Specifies the Security Architecture settings for Internet Protocol (IPsec) for encrypted communication to the printer.

IPsec Settings	Protocol	Select the check box to enable the protocol.
	IKE	Pre-Shared Key is displayed for IKE.
	Pre-Shared Key	Sets a shared key. Up to 255 alphanumeric characters, periods, and hyphens can be used.
	Re-enter Pre-Shared Key	Enter the shared key again to check it.
	IKE SA Lifetime	Sets the lifetime for IKE SA from 5 to 28,800 minutes.
	IPsec SA Lifetime	Sets the lifetime for IPsec SA from 5 to 2,880 minutes.
	DH Group	Sets the DH group.
	PFS	Select the check box to enable the PFS setting.
	Remote peers IPv4 address	Sets the IP address to connect to.
	Remote peers IPv6 address	Sets the IP address to connect to.
	Non IPsec communication policy	Allows communication with a device which does not support IPsec.



NOTE:

- If IPsec is enabled with incorrect settings, you must disable it using the **IPsec** menu on the operator panel.

802.1x

Specifies the settings for IEEE 802.1x authentication for encrypted communication to the printer.

Configure 802.1x	Enable IEEE 802.1x	Select the check box to enable IEEE 802.1x authentication.
	Authentication Method	EAP-MD5 EAP-MS-CHAPv2 PEAP/MS-CHAPv2
	Login Name: (Device Name)	Sets the login name (device name) for IEEE 802.1x authentication using up to 128 alphanumeric characters.
	Password	Sets the login password for IEEE 802.1x authentication using up to 128 alphanumeric characters.
	Re-enter Password	Confirms the set login password.



NOTE:

- This is available on Dell H625cdw and Dell H825cdw.

IP Filter

Specifies whether to enable the IP filter feature, which only allows communication with devices whose IP addresses are registered in the printer.



NOTE:

- This feature does not apply to communication via Wi-Fi Direct.

IPv4 Filter	Enables or disables IPv4 Filter.
IP Filter Rule List	Add, edit, or delete IP filter rule. Up to 20 rules can be registered.
IPv6 Filter	Enables or disables IPv6 Filter.
IP Filter Rule List	Add, edit, or delete IP filter rule. Up to 20 rules can be registered.

IP Filter Setup Procedure

To activate the IP Filter feature, you need to register the IP address and subnet mask of a device that you want to allow to communicate with the printer. The following procedure uses the address information below as an example to describe how to specify the IP Filter settings.

- IP address: 192.0.2.1
 - Subnet mask: 255.255.255.0
- 1 Select the **Enable** check box under **IPv4 Filter**.
 - 2 Click **Apply New Settings** → **Restart Printer**.
 - 3 After the printer is restarted, access the **IP Filter** screen again.
 - 4 Click **Add** under **IP Filter Rule List** of **IPv4 Filter**.
 - 5 Enter "192.0.2.1" in the **Source IP Address** text box and "24" in the **Source IP Mask** text box.
The subnet mask needs to be specified in prefix format.
 - 6 Click **Apply New Settings** → **Restart Printer**.

SMTP Domain Filtering

Specifies whether to limit e-mail destination domains.

NOTE:

- This feature does not restrict sending e-mails through the E-Mail Alert feature.

SMTP Domain Filtering	Domain Filtering	Select the check box to enable Domain Filtering.
	Allow Domain List	Allows you to register up to five domains allowed for sending e-mails.

Copy Printer Settings

Copy Printer Settings


The **Copy Printer Settings** tab includes the **Copy Printer Settings** and **Copy Printer Settings Report** pages.

Copy Printer Settings

To copy the printer settings to one or more printers on the network having the same model number.


NOTE:

- This feature allows you to copy printer settings to up to 10 destination printers simultaneously. If the destination printer has different configuration fields, only the common fields will be copied.
- You cannot copy the address book when the destination printer has a job and is operated on the Fax/Scan/Address Book menu of the operator panel.

- 1 Select the desired settings you want to copy from **Printer Settings, ColorTrack (Internal Settings)**, or/and **Address Book**.
- 2 Enter the IP address and password of the destination printer in the **IP Address** text box and **Password** text box.
- 3 Click **Copy the settings to the Host in the above list**.
 -  **NOTE:**
 - The copying of printer settings will time-out within 60 seconds if no input is received.
- 4 Check the **Copy the settings to the Host in the above list and reboot the printer** menu of Dell Printer Configuration Web Tool in the destination printer to verify if the settings were successfully copied.

Copy Printer Settings Report

Displays whether the printer setting is successfully copied to the destination printers.

-  **NOTE:**
 - The history is cleared by turning off the printer.

Print Volume

Print Volume

The **Print Volume** tab includes the **Print Volume** and **Dell ColorTrack** pages.

Print Volume

Displays the number of printed pages. This page can also be displayed by clicking **Print Volume** in the left frame.

Printer Page Count	Displays the total number of pages printed since the printer was shipped from the factory.
Paper Used	Displays the number of pages printed for each paper size.

Dell ColorTrack

Specifies which users have access to color printing and to limit print volume per user.

Dell ColorTrack	ColorTrack Mode	Off	Enables to print the data with no authentication information.
		Internal Mode	Sets the authentication mode as Internal Mode using user information registered on the printer.
		External Mode^{*1}	Sets the authentication mode as External Mode using user information registered on an external server. To authenticate on the external authentication server with External Mode , it is not necessary to register user information on the printer.
		Non Registered User	Sets whether to permit the printing of data with no authentication information. To permit the printing for non-account user, select the check box.
		Auto Color To Mono Print	Sets whether to print all print jobs in black and white even when color print is specified.
	ColorTrack Error Report		Sets whether to automatically print error-related information if printing using ColorTrack results in an error.
Edit Print User Registration	User Registration^{*2}		<p>Click Edit User Registration to display the Edit Print User Registration page.</p> <p>To register a user, click Create to open the Print User Settings page.</p> <p>To delete a user, click Delete to open the Delete User page.</p> <p>Clicking Back returns the screen to the status prior to deleting the user.</p> <p>To check or change the registered user, click Confirm / Change to open the Print User Settings page.</p>
Print User Settings	User Registration No.		Displays the user registration number. The Delete User button is displayed when the user is already registered.
	User Name		Sets the user name.
	Password		Sets the user password using 4 to 12 alphanumeric characters.
	Re-enter password		Enter the password again to check it.
	Color Mode Limitation		Sets whether to limit color printing.
	Upper Limit for Color Print		Sets the maximum number of pages allowed for color printing.
	Cumulative Color Page Count		Displays the cumulative number of pages printed for color printing.
	Upper Limit for Monochrome Print		Sets the maximum number of pages allowed for monochrome printing.
	Cumulative Monochrome Page Count		Displays the cumulative number of pages printed for monochrome printing.

*1 This is available on Dell S2825cdn.

*2 This item is displayed only when **ColorTrack Mode** is **On**.

Address Book

E-Mail Address

The **E-Mail Address** tab includes the **E-Mail Address**, **E-Mail Group** and **Default Setup** pages.

E-Mail Address

Displays the e-mail address entries registered on the **E-Mail Address** page.

E-Mail Address	Address List to:	Selecting each button displays a list of entries for the group of user IDs indicated on the button.
	ID	Displays the user ID.
	Name	Displays the user name. (Not in Use) is displayed when there is no registration.
	Address	Displays the e-mail address of the user.
	Delete	Deletes the entry for the selected user ID.
	Confirm / Change	Displays a dialog box where you can edit the entry of the selected user ID.
	Create	Displays a dialog box where you can create a new entry under the selected user ID.

E-Mail Address (Confirm/Change, Create)

Displays or edits the e-mail address entries on the **E-Mail Address** page, or create a new entry. The following items are in the dialog box that appears when you click **Confirm / Change** or **Create** on the **E-Mail Address** top page.

E-Mail Address	ID	Displays the selected user ID.
	Name	Allows you to view or edit the name of the user registered under the user ID, or enter a name for the new entry.
	Address	Allows you to view or edit the e-mail address of the user, or enter an e-mail address for the new entry.
	Delete*	

* This item is available only when you click **Confirm / Change**.

E-Mail Address (Delete)

Deletes the e-mail address entries registered on the **E-Mail Address** page. The following items are in the dialog box that appears when you click **Delete** on the **E-Mail Address** top page.

E-Mail Group

Displays the e-mail address entries registered on the **E-Mail Group** page.

E-Mail Group	GroupID	Displays the group ID.
	Name	Displays the assigned group name. (Not in Use) is displayed when there is no registration.
	Delete	Deletes the entry for the selected group ID.
	Confirm / Change	Displays a dialog box where you can edit the entry for the selected group ID.
	Create	Displays a dialog box where you can create a new entry under the selected group ID.

E-Mail Group (Confirm/Change, Create)

Displays or edits the e-mail address group entries on the **E-Mail Group** page, or create a new entry. The following items are in the dialog box that appears when you click **Confirm / Change** or **Create** on the **E-Mail Group** top page.

E-Mail Group	E-Mail Group	ID	Displays the selected group ID.
		Name	Allows you to view or edit the name assigned for the group ID, or enter a new group name.
		Delete*	
	E-Mail Address	Address List to:	Selecting each button displays a list of entries for the group of IDs indicated on the button.
		ID	Displays the user ID. Select the check box on the left to create the group.
		Name	Displays the user name. (Not in Use) is displayed when there is no registration.
		Address	Allows you to view or edit the e-mail address of an entry registered under the selected user ID, or enter an e-mail address for the new entry.

* This item is available only when you click **Confirm / Change**.

E-Mail Group (Delete)

Deletes the e-mail group entries registered on the **E-Mail Group** page. The following items are in the dialog box that appears when you click **Delete** on the **E-Mail Group** top page.

Default Setup

Sets the default e-mail subject and message.

Default Setup	Default Subject	Allows you to enter the default e-mail subject.
	Body Text	Allows you to enter the default e-mail message.

Server Address

The **Server Address** tab includes the **Server Address** page.

Server Address

Displays the server address entries registered on the **Server Address** page.

Server Address	Address List to:	Selecting each button displays a list of entries for the group of IDs indicated on the button.
	ID	Displays the server ID.
	Name	Displays the file directory name. (Not in Use) is displayed when there is no registration.
	Server Address	Displays the address of the file directory.
	Delete	Deletes the entry for the selected server ID.
	Confirm / Change	Displays a dialog box where you can edit the entry for the selected server ID.
	Create	Displays a dialog box where you can create a new entry under the selected server ID.

Server Address (Confirm/Change, Create)

Displays or edits the server address entries on the **Server Address** page, or create a new entry. The following items are in the dialog box that appears when you click **Confirm / Change** or **Create** on the **Server Address** top page.

Server Address	ID	Displays the selected server ID.
	Name	Allows you to view or change the server name assigned to the server ID, or enter a new server name.
	Server Type	Allows you to view the server type if you click Confirm / Change . Allows you to edit the server type if you click Create .
	FTP^{*1}	Select this to store scanned data on a server via the FTP protocol.
	SMB^{*1}	Select this to store scanned data on a computer via the Server Message Block (SMB) protocol.
	Server Address	Allows you to view or edit the server address registered under the server ID, or enter a new server address.
	Share Name^{*2}	Allows you to view or edit the assigned shared name, or enter a new shared name, when Server Type is set to SMB .
	Server Path	Allows you to view or edit the assigned server path, or enter a new path.
	Server Port Number	Allows you to view or edit the assigned server port number, or enter a new port number. If you leave the text box blank, the default port number (FTP: 21, SMB: 139) is used.
	Login Name	Allows you to view or edit the login name that is required to access the selected protocol, or enter a new login name.
	Login Password	Allows you to view or edit the password that is required to access the selected protocol, or enter a new password.
	Re-enter Password	Confirms the set password.
	Delete^{*3}	

^{*1} You can edit this item only when you click **Create**.

^{*2} This item is available only when **Server Type** is set to **SMB**.

*3 This item is available only when you click **Confirm / Change**.

Server Address (Delete)

Deletes the server address entries registered on the **Server Address** page. The following items are in the dialog box that appears when you click **Delete** on the **Server Address** top page.

Phone Book

The **Phone Book** tab includes the **FAX Speed Dial** and **FAX Group** pages.

FAX Speed Dial

Displays the fax number entries registered on the **FAX Speed Dial** page.

FAX Speed Dial	Speed Dial List to:	Selecting each button displays a list of entries for the group of speed dial codes indicated on the button.
	Speed Dial	Displays the speed dial ID.
	Name	Displays the assigned name for a speed dial ID.
	Phone Number	Displays the speed dial code. (Not in Use) is displayed when there is no registration.
	Delete	Deletes the entry for the selected speed dial code.
	Confirm / Change	Displays a dialog box where you can edit the entry for the selected speed dial code.
	Create	Displays a dialog box where you can create a new entry under the selected speed dial code.

FAX Speed Dial (Confirm/Change, Create)

Displays or edits the speed dial entries on the **FAX Speed Dial** page, or create a new entry. The following items are in the dialog box that appears when you click **Confirm / Change** or **Create** on the **FAX Speed Dial** top page.

FAX Speed Dial	Speed Dial	Displays the selected speed dial code.
	Name	Allows you to view or edit the name of an entry registered under the speed dial code, or enter a name for the new entry.
	Phone Number	Allows you to view or edit the fax number of an entry registered under the speed dial code, or enter a fax number for the new entry.
	Delete*	Deletes the entry for the speed dial code. This button is available only on the dialog box for editing an existing entry.

* This item is available only when you click **Confirm / Change**.

FAX Speed Dial (Delete)

Deletes the speed dial entries registered on the **FAX Speed Dial** page. The following items are in the dialog box that appears when you click **Delete** on the **FAX Speed Dial** top page.

FAX Group

Displays the fax group entries registered on the **FAX Group** page.

FAX Group	ID	Displays a fax group ID.
	Name	Displays the assigned group name. (Not in Use) is displayed when there is no registration.
	Delete	Deletes the entry for the selected group ID.
	Confirm / Change	Displays a dialog box where you can edit the entry for the selected group ID.
	Create	Displays a dialog box where you can create a new entry under the selected group ID.

FAX Group (Confirm/Change, Create)

Displays or edits the fax number group entries on the **FAX Group** page, or create a new entry. The following items are in the dialog box that appears when you click **Confirm / Change** or **Create** on the **FAX Group** top page.

FAX Group	FAX Group	ID	Displays the selected group ID.
		Name	Allows you to view or edit the name assigned for the group ID, or enter a new group name.
FAX Speed Dial		Delete*	Deletes the current entry.
		Speed Dial List to:	Selecting each button displays a list of entries for the group of speed dial codes indicated on the button.
		Speed Dial	Displays the speed dial code. Select the check box on the left to add the speed dial code in the group.
		Name	Displays the name registered for the speed dial code. (Not in Use) is displayed when there is no registration.
		Phone Number	Allows you to view or edit the fax number of an entry registered under the selected speed dial code, or enter a fax number for the new entry.

* This item is available only when you click **Confirm / Change**.

FAX Group (Delete)

Deletes the fax number group entries registered on the **FAX Group** page. The following items are in the dialog box that appears when you click **Delete** on the **FAX Group** top page.

Tray Management

Use the **Tray Management** menu to set the paper size and type of paper loaded in tray1 and the optional 550-sheet feeder.

Tray Management

Tray Settings	MPF Mode	Sets whether to use the print driver settings for the size and type of paper loaded in the Multipurpose Feeder (MPF).
	MPF Paper Size^{*1}	Sets the size of paper loaded in the MPF.
	MPF Paper Type^{*1}	Sets the type of paper loaded in the MPF.
	MPF Custom Paper Size - Y^{*1}	Sets the length of custom size paper loaded in the MPF.
	MPF Custom Paper Size - X^{*1}	Sets the width of custom size paper loaded in the MPF.
	MPF Display Tray Prompt^{*1}	Sets whether to display a popup message that prompts the user to set the paper size and type when the paper is loaded in the MPF.
	Tray 1 Paper Size	Sets the size of paper loaded in tray1.
	Tray 1 Paper Type	Sets the type of paper loaded in tray1.
	Tray 1 Custom Paper Size - Y	Sets the length of custom size paper loaded in tray1.
	Tray 1 Custom Paper Size - X	Sets the width of custom size paper loaded in tray1.
	Tray 1 Display Prompt	Sets whether to display a popup message that prompts the user to set the paper size and type when the paper is loaded in tray1.
	Tray 2 Paper Size^{*2}	Sets the size of paper loaded in the optional 550-sheet feeder.
	Tray 2 Paper Type^{*2}	Sets the type of paper loaded in the optional 550-sheet feeder.
	Tray 2 Custom Paper Size - Y^{*2}	Sets the length of custom size paper loaded in the optional 550-sheet feeder.
Tray 2 Custom Paper Size - X^{*2}	Sets the width of custom size paper loaded in the optional 550-sheet feeder.	
Tray 2 Display Prompt^{*2}	Sets whether to display a popup message that prompts the user to set the paper size and type when the paper is loaded in the optional 550-sheet feeder.	
Tray Priority	1st Priority	Sets the paper source to be used as the first priority.
	2nd Priority	Sets the paper source to be used as the second priority.
	3rd Priority^{*2}	Sets the paper source to be used as the third priority.

^{*1} This item is available only when Use Panel Settings in MPF Mode is selected.

^{*2} This item is available only when the optional 550-sheet feeder is installed.

Print Media Guidelines

This section describes selecting and caring for print media. The printer provides high-quality printing on a variety of print media. Selecting the appropriate print media for the printer helps to avoid printing troubles.

 **NOTE:**

- Use only laser print media. Do not use ink jet print media in the printer.

To help avoiding jam, see "Before Loading."

Supported Print Media

Multipurpose Feeder (MPF)

Paper Size	
	A4 (210 × 297 mm)
	B5 (182 × 257 mm)
	A5 (148 × 210 mm)
	B6 (128 × 182 mm)
	A6 (105 × 148 mm)
	Letter (8.5 × 11 inches)
	Folio (8.5 × 13 inches)
	Legal (8.5 × 14 inches)
	Executive (7.25 × 10.5 inches)
	Statement (5.5 × 8.5 inches)
	Envelope #10 (104.8 × 241.3 mm)
	Monarch (98.4 × 190.5 mm)
	DL (110 × 220 mm)
	C5 (162 × 229 mm)
	Custom*1:
	Width: 76.2 – 215.9 mm (3 – 8.5 inches)
	Length: 127 – 355.6 mm (5 – 14 inches)

Paper Type	Plain (Light) Plain (Normal) Plain (Thick) Covers (Thin) ^{*2} Covers (Thick) ^{*2} Rough Surface ^{*2} Coated (Normal) ^{*2} Coated (Thick) ^{*2} Label (Light) ^{*2} Label (Normal) ^{*2} Envelope ^{*2} Recycled Letterhead ^{*2} Preprinted ^{*2} Prepunched ^{*2} Color
Loading Capacity	50 sheets of the standard paper

^{*1} XML Paper Specification (XPS) driver does not support custom size paper.

^{*2} Paper type that does not support printing on the back side of printed paper.

Tray1

Paper Size	A4 (210 × 297 mm) B5 (182 × 257 mm) A5 (148 × 210 mm) B6 (128 × 182 mm) A6 (105 × 148 mm) Letter (8.5 × 11 inches) Folio (8.5 × 13 inches) Legal (8.5 × 14 inches) Executive (7.25 × 10.5 inches) Statement (5.5 × 8.5 inches) Envelope #10 (104.8 × 241.3 mm) Monarch (98.4 × 190.5 mm) DL (110 × 220 mm) C5 (162 × 229 mm) Custom ^{*1} : Width: 76.2 – 215.9 mm (3 – 8.5 inches) Length: 148 – 355.6 mm (5.8 – 14 inches)
-------------------	--------------------------------------------------------------------------------------------------------------------------------------------------------------------------------------------------------------------------------------------------------------------------------------------------------------------------------------------------------------------------------------------------------------------------------------------------------------------------------------

Paper Type	Plain (Light) Plain (Normal) Plain (Thick) Covers (Thin)* ² Covers (Thick)* ² Coated (Normal)* ² Coated (Thick)* ² Labels (Light)* ² Labels (Normal)* ² Envelope* ² Recycled Letterhead* ² Preprinted* ² Prepunched* ² Color
Loading Capacity	250 sheets of the standard paper

*¹ XML Paper Specification (XPS) driver does not support custom size paper.

*² Paper type that does not support printing on the back side of printed paper.

Optional 550-Sheet Feeder

Paper Size	A4 (210 × 297 mm) B5 (182 × 257 mm) A5 (148 × 210 mm) Letter (8.5 × 11 inches) Folio (8.5 × 13 inches) Legal (8.5 × 14 inches) Executive (7.25 × 10.5 inches) Custom* ¹ : Width: 76.2 – 215.9 mm (3 – 8.5 inches) Length: 190.5 – 355.6 mm (7.5 – 14 inches)
Paper Type	Plain (Light) Plain (Normal) Plain (Thick) Covers (Thin)* ² Covers (Thick)* ² Coated (Normal)* ² Labels (Light)* ² Labels (Normal)* ² Recycled Letterhead* ² Preprinted* ² Prepunched* ² Color
Loading Capacity	550 sheets of the standard paper

*1 XML Paper Specification (XPS) driver does not support custom size paper.

*2 Paper type that does not support printing on the back side of printed paper.

 **NOTE:**

- For Plain and Label paper, you can preset the paper density by selecting the Paper Density (Light or Normal) under Maintenance from the operator panel, Tool Box, or Dell Printer Configuration Web Tool.
Once you set the Paper Density settings, the printer uses the settings for Plain and Label paper.

Supported Paper Weight

Paper type	Weight (g/m ²)
Plain	60 – 90
Plain Thick	91 – 105
Recycled	60 – 90
Labels	–
Covers	106 – 176
Covers Thick	177 – 220
Envelope	–
Coated	106 – 176
Coated Thick	177 – 220
Letterhead	60 – 90
Preprinted	60 – 90
Prepunched	60 – 90
Color	60 – 90

Unacceptable Print Media

- Chemically treated paper used to make copies without carbon paper, also known as carbonless paper, carbonless copy paper (CCP), or no carbon required (NCR) paper
- Pre-printed paper with chemicals that may contaminate the printer
- Pre-printed paper that can be affected by the temperature in the fusing unit
- Pre-printed paper that requires a registration (the precise print location on the page) greater than ± 0.09 inch, such as Optical Character Recognition (OCR) forms. In some cases, you can adjust registration with your software program to successfully print on these forms.
- Erasable bond, synthetic paper, and thermal paper
- Rough-edged, rough or heavily textured surface paper, or curled paper
- Recycled paper containing more than 25 percent post-consumer waste that does not meet DIN 19309
- Multiple-part forms or documents
- Talc or acid paper that may deteriorate print quality (blank spaces or blotches may appear in the text)

Recommended Print Media

Proper print media selection helps prevent jams and ensures trouble-free printing.

- For the best print quality and feed reliability, use 75 g/m² (20 lb) xerographic paper.

- For the best print quality in black and white, use 90 g/m² (24 lb) xerographic, grain long paper.
- Print media designed for general business use also provides acceptable print quality.
- Laser printing process heats print media to high temperatures. Only use paper able to withstand high temperatures without discoloring, bleeding, or releasing hazardous emissions. Check with the manufacturer or vendor to determine whether the paper you have chosen is acceptable for laser printers.

Recommended Pre-Printed Media and Letterheads

- Use grain long paper for best results.
- Use only forms and letterheads printed using an offset lithographic or engraved printing process.
- Use print media that absorb ink, but does not bleed.
- Avoid print media with rough or heavily textured surfaces.
- Use print media printed with heat-resistant inks designed for use in xerographic copying machines. The ink must withstand temperatures of 225°C (437°F) without melting or releasing hazardous emissions.
- Use print media printed with inks that are not affected by the resin in the toner or the silicone in the fusing unit. Inks that are oxidation-set or oil-based should meet these requirements; latex inks might not. If you are in doubt, contact your paper supplier.

Recommended Pre-Punched Print Media

- Use only pre-punched paper made at the paper manufacturer.
- Do not drill print media which are already packaged in a ream. Using them may result in paper jams.
- Pre-punched print media can include more paper dust than standard print media. The printer may require more frequent cleaning, and feed reliability may not be as good as standard print media.
- Weight guidelines for pre-punched print media are the same as non-punched print media.

Recommended Envelopes

Depending on the envelopes, it is possible to expect variable levels of wrinkling.

- Use only high-quality envelopes that are designed for use in laser printers.
- Use envelopes made from 75 g/m² (20 lb bond) paper. You can use up to 105 g/m² (28 lb bond) weight for the envelope feeder as long as the cotton content is 25 percent or less. Envelopes with 100 percent cotton content must not exceed 90 g/m² (24 lb bond) weight.
- Use envelopes that can withstand temperatures of 205°C (401°F) without sealing, excessive curling, wrinkling, or releasing hazardous emissions. If you are in doubt, contact your envelope supplier.
- Check for high humidity. High humidity (higher than 60 percent) and high printing temperature may seal the envelopes.
- Do not use envelopes that:
 - Have excessive curl or twist

- Are stuck together or damaged in any way
- Contain windows, coated linings, self-stick adhesives, holes, perforations, cutouts, or embossing
- Use metal clasps, string ties, or metal folding bars
- Have an interlocking design
- Have postage stamps attached
- Have any exposed adhesive when the flap is in the sealed or closed position
- Have nicked edges or bent corners
- Have rough, cockle, or laid finishes

Recommended Labels

- Label adhesives, face sheet, and topcoats must be able to withstand temperatures of 205°C (401°F) and pressure of 25 pounds per square inch (psi) without sealing, excessive curling, wrinkling, or releasing hazardous emissions.
- Use labels without sealing, excessive curling, wrinkling, or releasing hazardous emissions.
- Do not use label sheets with a slick backing material.
- Do not use labels that have exposed adhesive.
- Do not use label sheets that have adhesive to the edge of the sheet. It is recommended that zone coating of the adhesive is done at least 1 mm (0.04 inch) away from edges. Otherwise, a jam may occur in the printer, and adhesive material may contaminate the printer and cartridges.



WARNING:

- **Contaminating the printer and cartridges with adhesive could void your printer and cartridge warranties.**

Print Media Storage Guidelines

For proper print media storage, the following guidelines help you to avoid print media feeding problems and uneven print quality.

- Store print media in an environment where the temperature is approximately 21°C (70°F) and the relative humidity is 40 percent.
- Store print media on a flat surface so that the edges do not buckle or curl.
- Print media should be stored on pallets, cartons, shelves, or in cabinets, rather than directly on the floor.
- Do not place anything on top of the print media packages.

Loading Print Media

Loading print media properly helps prevent jams and ensures trouble-free printing. Before loading any print media, identify the recommended print side of the print media. This information is usually indicated on the print media package.

Before Loading

The following instructions describe how to avoid paper jams:

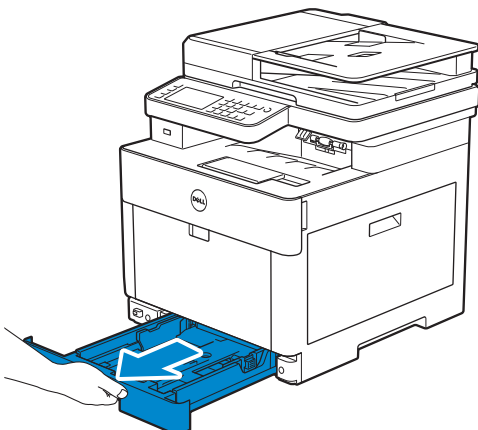
- Use only laser print media. Do not use ink jet paper in the printer.
- Use only recommended print media. See "Print Media Guidelines."
- Keep print media stored in an acceptable environment. See "Print Media Storage Guidelines."
- Do not overload the print media sources. Make sure that the print media stack height does not exceed the maximum height indicated by the load-line labels in the tray.
- Do not load wrinkled, creased, damp, or curled print media.
- Flex, fan, and straighten the print media before loading.
- Do not use print media that you have cut or trimmed.
- Do not mix different print media sizes, weights, or types in the same print media source.
- Make sure that the recommended print side is facing up when you load the print media.
- Do not remove the feeding tray during printing.
- Make sure that all cables that connect to the printer are attached correctly.
- Overtightening the guides may cause jams.
- If jams caused by misfeeding paper occur frequently, wipe the retard rollers in the tray or Multipurpose Feeder (MPF) with a cloth moistened with water.
- Do not perform a printing operation with the MPF removed.

Loading Print Media in Tray1 and the Optional 550-Sheet Feeder

NOTE:

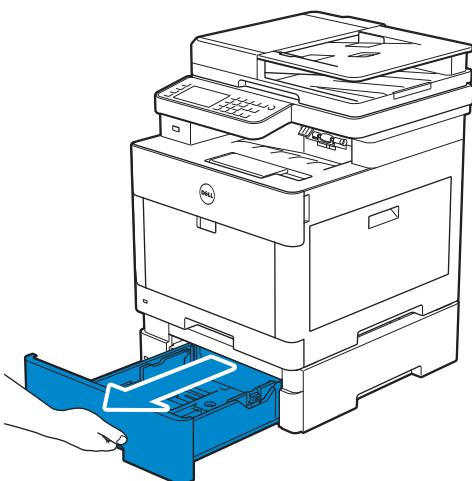
- To avoid paper jams, do not remove the tray while printing is in progress.

- 1** Pull the tray out of the printer.

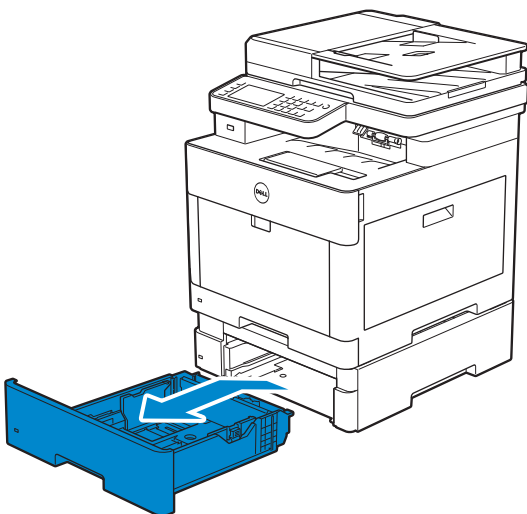


For the optional 550-sheet feeder:

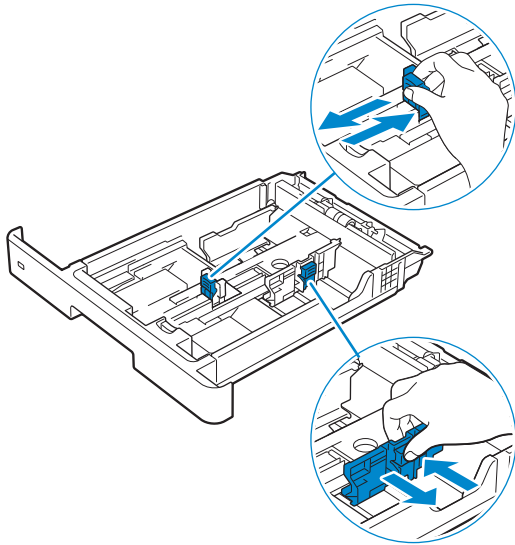
- a** Pull the tray of the optional 550-sheet feeder halfway out of the printer.



- b** Hold the tray with both hands, slightly tip the front of the tray upwards, and then pull it out completely.

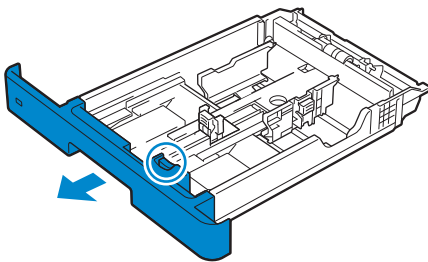


2 Adjust the paper guides according to the paper size that you want to load.

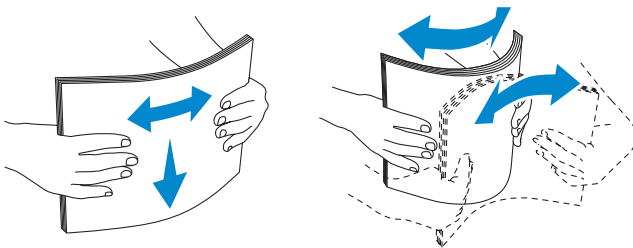


 **NOTE:**

- When you load Legal-size paper, extend the tray while pushing the lever located on the front part of the tray.



3 Before loading the print media, flex and fan the sheets. Straighten the edges of the stack on a level surface.



4 Load the print media into the tray with the recommended print side facing up.

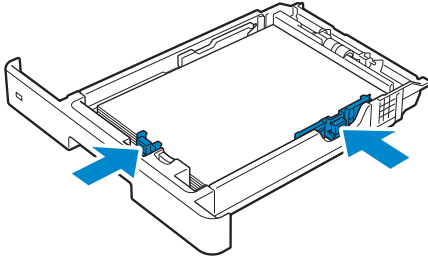
 **NOTE:**

- Do not exceed the maximum fill line in the tray. Overfilling the tray may cause paper jams.
- When loading coated paper, load one sheet at a time.
- When loading letterhead, pre-printed, or pre-punched paper, see "Loading Letterhead, Pre-Printed, and Pre-Punched Paper."

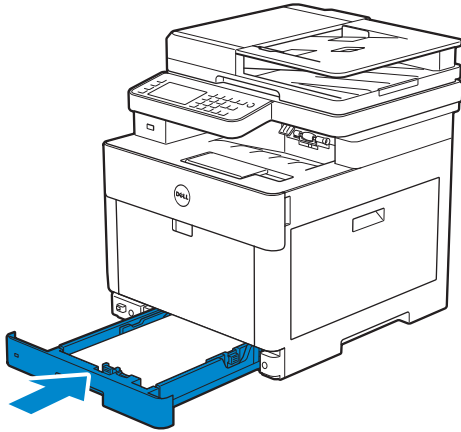
5 Make sure that paper guides rest lightly against the edge of the print media stack.

 **NOTE:**

- Overtightening the guides may cause jams.
- When loading user-specified print media, adjust the width guides and slide the extendable part of the tray by pinching the length guide and sliding it until it rests lightly against the edge of the paper.

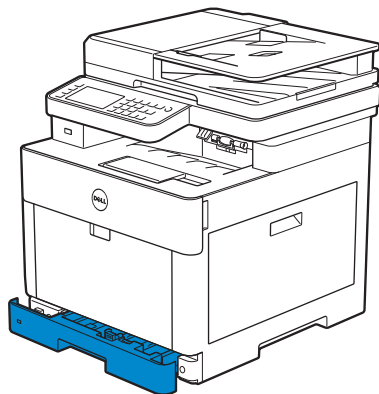


6 Insert the tray into the printer and push until it stops.



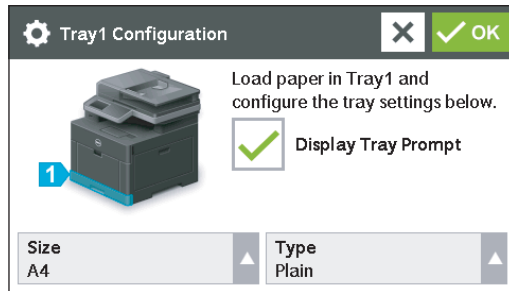
 **NOTE:**

- If the front side of the tray is extended, the tray protrudes when it is inserted into the printer.



7 When the Tray Configuration screen appears, tap *Size*.

The following shows the Tray1 screen as an example.



NOTE:

- Set the same paper size and type as the actual paper being loaded. An error may occur if the paper size or type setting is different from the loaded paper.

- 8 Select ▼ or ▲ until the desired paper size appears, and then select the desired paper size.
- 9 Tap Type.
- 10 Select ▼ or ▲ until the desired paper type appears, and then select the desired paper type.
- 11 Tap OK.

Loading Envelopes in the Tray1

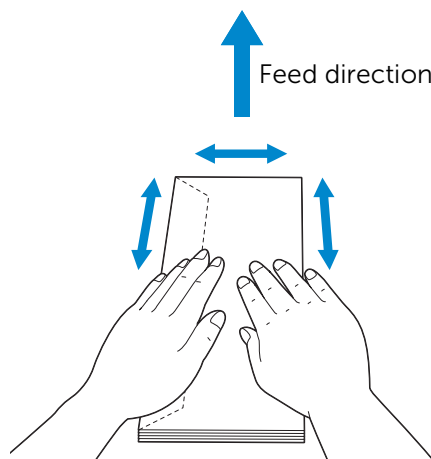
NOTE:

- Use only recommended envelopes. See "Recommended Envelopes."

The following guidelines describe how to load envelopes.

- Use only freshly unpackaged and undamaged envelopes.

If you do not load envelopes in the tray right after they have been removed from the package, they may bulge. To avoid jams, press firmly across the whole envelopes to flatten them as shown in the illustration before loading the envelopes in the tray.

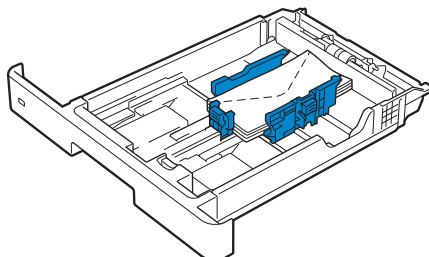


- Use only same size envelopes for a single print job.
- The maximum height (quantity) of envelopes that can be loaded in the tray is approximately 27.5 mm (1.08 inch) (20 envelopes).

- When printing on envelopes, set the print media source to the tray. From the print driver, select **Envelope** for the paper type, and then select the correct size of the envelope.
- Adjust the paper guides accordingly after envelopes are loaded.

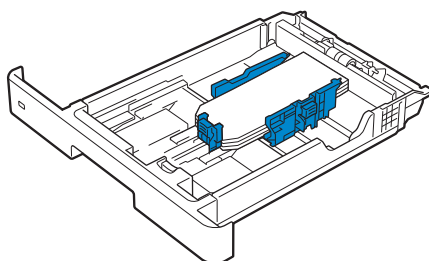
Envelope #10, Monarch, or DL

Load the envelopes with the flaps closed and the print side facing up. Make sure that the flaps are on the left side when you face towards the printer.

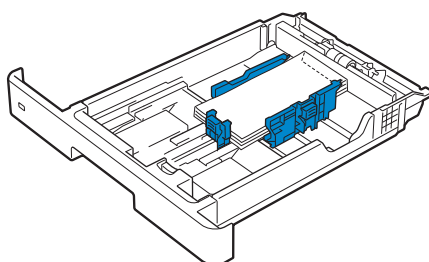


C5

When loading envelopes with the flaps open, load the envelopes so that the print side faces up and the bottom edge (the edge with no flaps) enters the printer first.



When loading envelopes with the flaps closed, load the envelopes so that the print side faces up and the top edge (the edge with flaps) enters the printer first.

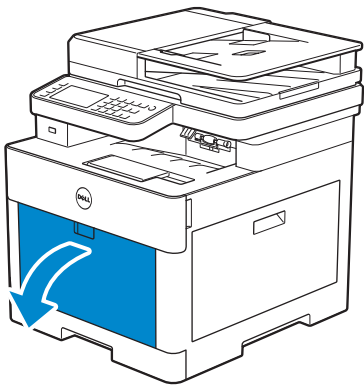


Loading Print Media in the Multipurpose Feeder (MPF)

NOTE:

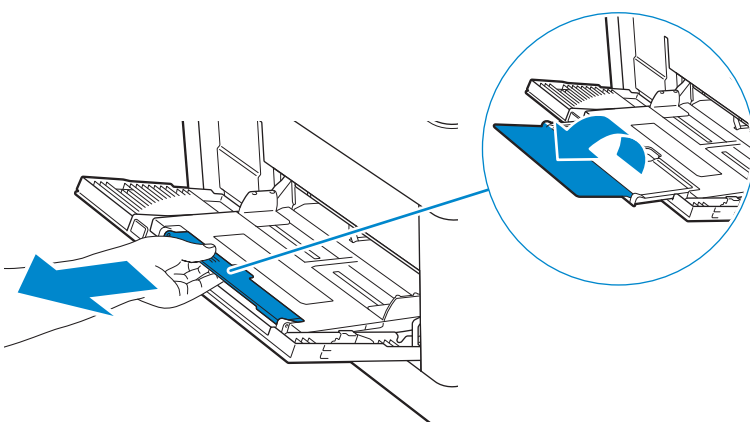
- Do not add or remove print media when there is still print media in the MPF or when the printer is printing from the MPF. This may result in a paper jam.
- Do not place objects on the MPF.
- Do not apply excessive force on the MPF or press it down.
- If a jam occurs with print media, feed one sheet at a time through the MPF.
- The label on the MPF shows how to load the MPF with paper, and how to turn an envelope for printing.

1 Gently pull and open the MPF cover.

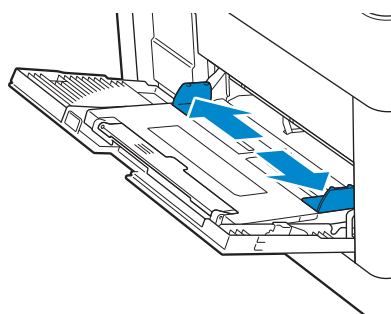


 **NOTE:**

- Extend the extension tray as necessary.



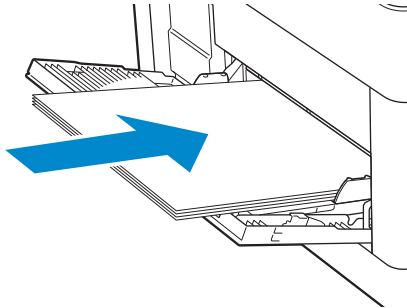
2 Slide the width guides according to the paper size that you want to load.



3 Insert all print media facing up and top edge first into the MPF.

 **NOTE:**

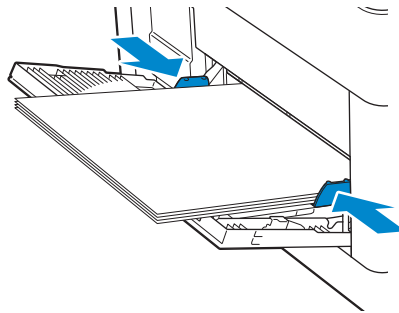
- Do not force the print media into the MPF.
- When loading coated paper, load one sheet at a time.
- When loading letterhead, pre-printed, or pre-punched paper, see "Loading Letterhead, Pre-Printed, and Pre-Punched Paper."



4 Make sure that both width guides rest lightly against the edge of the print media stack.

 **NOTE:**

- Overtightening the guides may cause jams.



5 When the MPF Configuration screen appears, tap Size.

6 Tap ▼ or ▲ until the desired paper size appears, and then select the size.

7 Tap Type.

8 Tap ▼ or ▲ until the desired paper type appears, and then select the type.

9 Tap OK.

Loading Envelopes in the MPF

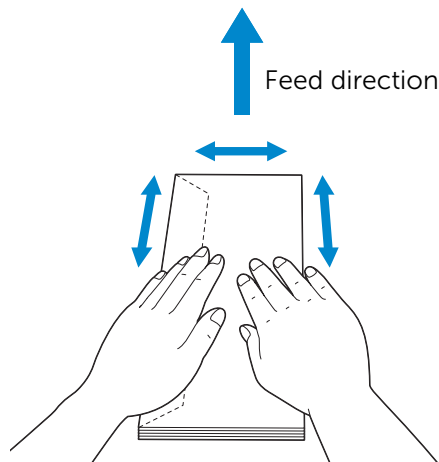
 **NOTE:**

- Use only recommended envelopes. See "Recommended Envelopes."

The following guidelines describe how to load envelopes.

- Use only freshly unpackaged and undamaged envelopes.

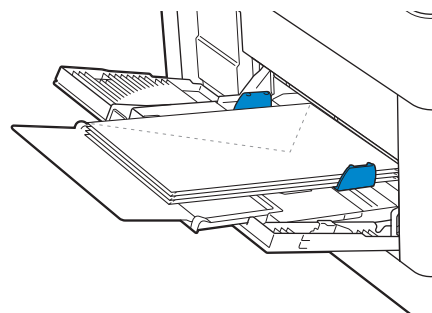
If you do not load envelopes in the MPF right after they have been removed from the package, they may bulge. To avoid jams, press firmly across the whole envelopes to flatten them as shown in the illustration before loading the envelopes in the MPF.



- Use only same size envelopes for a single print job.
- The maximum height (quantity) of envelopes that can be loaded in the MPF is approximately 5 mm (0.19 inch) (5 envelopes).
- When printing on envelopes, set the print media source to the MPF. From the print driver, select **Envelope** for the paper type, and then select the correct size of the envelope.
- Adjust the width guides accordingly after envelopes are loaded.

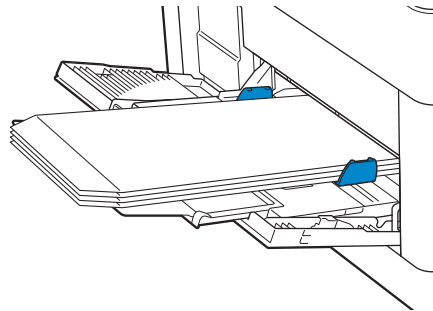
Envelope #10, Monarch, or DL

Load the envelopes with the flaps closed and the print side facing up. Make sure that the flaps are on the left side when you face towards the printer.

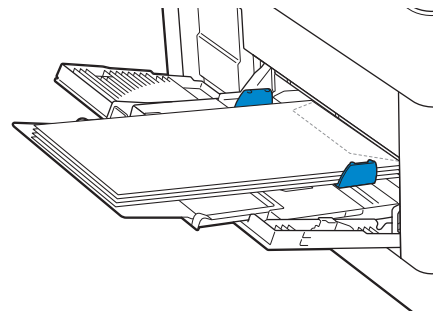


C5

When loading envelopes with the flaps open, load the envelopes with the print side facing up and the bottom edge first into the MPF.



When loading envelopes with the flaps closed, load the envelopes with the print side facing up and the top edge first into the MPF.



Loading Labels in the MPF

NOTE:

- Use only recommended labels. See "Recommended Labels."

The following guidelines describe how to load labels:

- Do not load labels in the MPF together with other types of paper.
- Use full label sheets. Partial sheets may cause labels to peel off during printing, resulting in a jam.
- Set the paper type to **Label** from the print driver.
- Portrait orientation is preferred, especially when printing bar codes.
- Do not print within 1 mm (0.04 inch) of the die-cut.
- Do not print within 1 mm (0.04 inch) of the edge of the label, of the perforations, or between die-cuts of the label.
- Do not print a label through the printer more than once.

Loading Letterhead, Pre-Printed, and Pre-Punched Paper

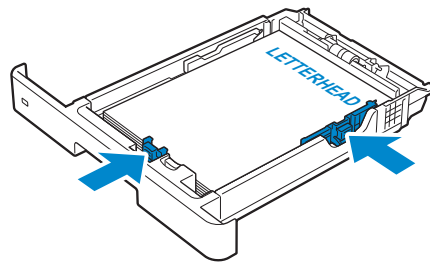
Letterhead, pre-printed, and pre-punched paper must be inserted bottom edge first with the print side facing down as shown in the following illustration.

NOTE:

- Make sure that `Letterhead 2 Sided` is set to `Enable`, and `Type` is set to `Letterhead`, `Preprinted`, or `Prepunched` on the operator panel even when printing on a single side. You can also set the same setting using the print driver.

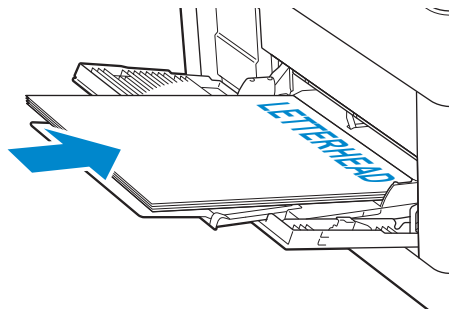
For Tray1 and optional 550-sheet feeder:

- Face up
- Letterhead enters the printer first.



For MPF:

- Face up
- Letterhead enters the printer first.



Linking Trays

The printer links the trays when you load the same size and type of print media in them. The first tray is utilized until the print media runs out after which the next tray is used.

NOTE:

- The print media should be the same size and type in each tray.
The Multipurpose Feeder (MPF) cannot be linked to any of the tray sources.

After loading the selected trays with the same size and type of print media, select the Paper Type setting in the Tray Settings component for each tray.

To disable tray linking, change the paper type for one of the trays to a unique value.

NOTE:

- If different types of print media of the same size are loaded in the trays, the printer links them if the paper type is not specified in the print driver properties/preferences.

Loading Documents

You can use the Duplex Automatic Document Feeder (DADF) or the document glass to load a document. Using the DADF, you can load up to 50 sheets of 75 g/m² (20 lb) paper at a time. Using the document glass, you can load one sheet at a time.

 **NOTE:**

- To get the best scan quality, especially for color or gray scale images, use the document glass instead of the DADF.

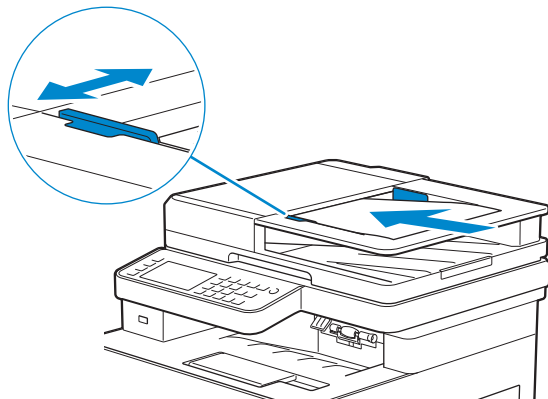
Before Loading Documents in the DADF

The following instructions describe how to avoid paper jams:

- Do not use document smaller than 139.7 mm by 139.7 mm (5.5 inches by 5.5 inches) and larger than 215.9 mm by 355.6 mm (8.5 inches by 14 inches).
- Do not use booklets, pamphlets, photographs, transparencies, and documents having other unusual characteristics.
- Do not use carbon or carbon-backed paper, coated paper, onion skin or thin paper, wrinkled or creased paper, curled or rolled paper, and torn paper.
- Do not use documents with staples or paper clips.
- Do not use documents exposed to adhesives or solvent based materials such as glue, ink and correcting fluid.
- Do not use document that you have cut or trimmed.
- Do not use wrinkled, creased, damp, or curled document.
- Do not mix different sizes, weights, or types of document in the DADF.
- Flex, fan, and straighten document before you load it.
- Do not overload the DADF. Make sure that the document stack height does not exceed the maximum height indicated by the load-line labels in the DADF.
- If jams caused by misfeeding paper occur frequently, wipe the DADF feed rollers with a cloth moistened with water.
- Do not apply excessive pressure on the DADF cover or subject it to strong impact. Doing so may cause paper jams.

Loading a Document in the Duplex Automatic Document Feeder (DADF)

- 1 Adjust the document guides according to the document size that you want to load, and place the document(s) facing up with the top edge of the document(s) first into the DADF.



 **NOTE:**

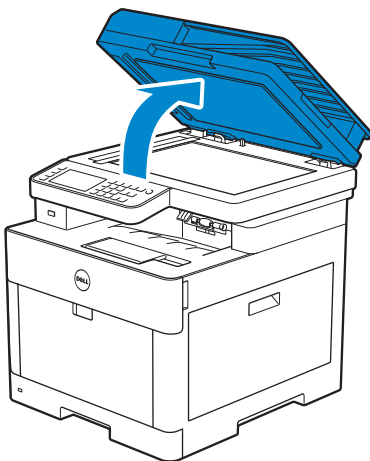
- Overtightening the guides may cause jams.
- Before loading the document(s) on the DADF, straighten the edges of the stack of the document(s).
- Use the document stopper when copying a legal-size document.

Loading a Document on the Document Glass

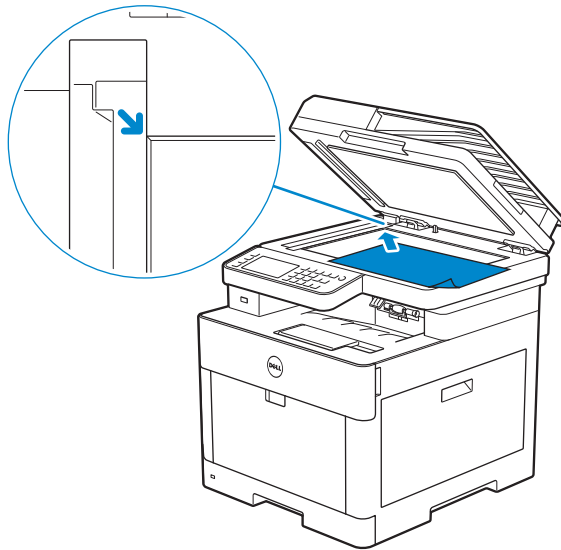
 **NOTE:**

- Make sure that no document is in the DADF. If any document is detected in the DADF, it takes priority over the document on the document glass.

- 1 Open the document cover.



- 2 Place the document facing down on the document glass and align it with the registration guide on the top left corner of the glass.



- 3 Close the document cover.

 **NOTE:**

- Leaving the document cover open while copying may affect the copy quality and increase the toner consumption.
- If you are copying/scanning/faxing a page from a book or magazine, lift the cover until its hinges are caught by the stopper and then close the cover. If the book or magazine is thicker than 30 mm, start copying/scanning/faxing with the cover open.

Printing, Copying, Scanning, Faxing, and Dell Document Hub

Printing	209
Copying	218
Scanning	221
Faxing	247
Dell Document Hub	263
Printing and Scanning Directly From SharePoint®	272

Printing

This chapter covers tips for printing, how to print certain information from the printer, and how to cancel a job.

NOTE:

- Selecting the appropriate print media and loading them properly into the paper tray is key to producing good quality prints and reducing paper jams. See "Print Media Guidelines" and "Loading Print Media."

Sending a Job to Print

NOTE:

- Print settings made from the print driver have precedence over the menu settings made from the operator panel or Tool Box.
- If you are not familiar with a feature in the print driver window, open the online Help for more information.

The following procedure uses a typical Windows® and OS X program as an example.

- 1 Open the file you want to print.
- 2 From the **File** menu, select **Print**.
- 3 Check that the correct printer is selected in the dialog box, and then check and change the print settings in the dialog box.
- 4 For Windows®, click **Preferences**, adjust print settings that are not available in the dialog box, and then click **OK**.
For OS X, proceed to step 5.
- 5 Click **Print**.

NOTE:

- You can switch the paper size loaded in the tray between A4 and letter. Also, you can switch the paper size between A5 and statement. When you want to switch the page size, load the print media of the selected size.
See "A4<>Letter Switch" and "A5<>Statement Switch."

Canceling a Print Job

You can cancel a job using the operator panel or a computer.

Canceling a Job From the Operator Panel

Canceling a Job While Print Is in Progress


Tap **Stop**.

The print job in progress is canceled.

NOTE:

- All the following jobs are not canceled.

Canceling a Job Before Printing Starts

- 1 Press the  (**Job Status**) button.
- 2 Tap the job you want to cancel.

- 3 Tap **Stop** → **Stop Job**.

Canceling a Job From a Computer

Canceling a Job From the Taskbar (Windows® Only)

When you send a job to print, a small printer icon appears in the bottom right corner of the taskbar.

- 1 Double-click the printer icon.
A list of print jobs appears in the printer window.
- 2 Select the job you want to cancel.
- 3 Press <Delete> on the keyboard.

Canceling a Job From the Dock (OS X Only)

When you send a job to print, the printer icon appears in the Dock.

The following procedure uses OS X 10.10 as an example.

- 1 Click the printer icon.
A list of print jobs appears in the printer window.
- 2 Click the delete job button on the left.

Duplex Printing

The duplex printing feature allows you to print on both sides of a sheet of paper.

NOTE:

- The duplex printing feature does not support thick cover paper, thick coated paper, labels, and envelopes.

Using Duplex Print

For Windows®:

The following procedure uses a typical Windows® program on Windows® 7/Windows® 10 as an example.

- 1 Open the file you want to print.
- 2 Open the print dialog box from the program.
- 3 Select the print driver, and then click **Preferences** → **General**.
- 4 In the **Paper Source** drop-down list box, select a paper tray.
- 5 In the **Duplex** drop-down list box, select **Flip on Short Edge** or **Flip on Long Edge**.

NOTE:

- For details about the **Flip on Short Edge** and **Flip on Long Edge** options, see "Flip on Short Edge" and "Flip on Long Edge."

- 6 Click **OK** → **Print**.

For OS X:

The following procedure uses TextEdit on OS X 10.10 as an example.

- 1 Open the file you want to print.
- 2 From the **File** menu, select **Print**.
- 3 Make sure that the **Two-Sided** check box is selected in the dialog box.
- 4 In the **TextEdit** drop-down list box, select **Layout**.
- 5 In the **Two-Sided** drop-down list box, select **Long-Edge binding** or **Short-Edge binding**.
- 6 Click **Print**.

Using Booklet Print

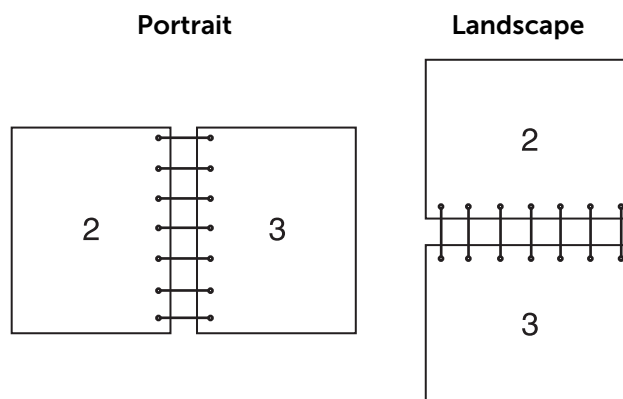
The booklet print feature prints a document as a booklet. The pages are arranged in the correct order when the printout is collated or stapled.

NOTE:

- When the XML Paper Specification (XPS) or PostScript (PS) driver is used, booklet print is not available.
- You must select **Flip on Long Edge** in the **Duplex** when using the booklet print feature.

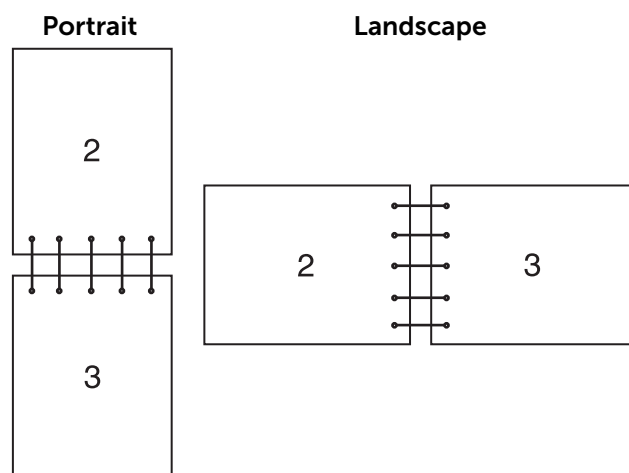
Flip on Long Edge

Assumes binding along the long edge of the page (left edge for portrait orientation and top edge for landscape orientation). The following illustration shows long-edge binding for portrait and landscape pages:



Flip on Short Edge

Assumes binding along the short edge of the page (top edge for portrait orientation and left edge for landscape orientation). The following illustration shows short-edge binding for portrait and landscape pages:



Using Stored Print

When you send a job to the printer, you can specify in the print driver to store the job in the memory. When you are ready to print the job, go to the printer and use the operator panel to identify which job in the memory you want to print.

NOTE:

- The data in the memory is cleared when the printer is turned off.
- The stored print feature is available when:
 - The RAM disk is enabled in the printer menu.
 - **RAM Disk** is set to **Available** in the print driver.

Overview

The stored print feature includes the following job types.

Read each description to select optimum job type for your print job.

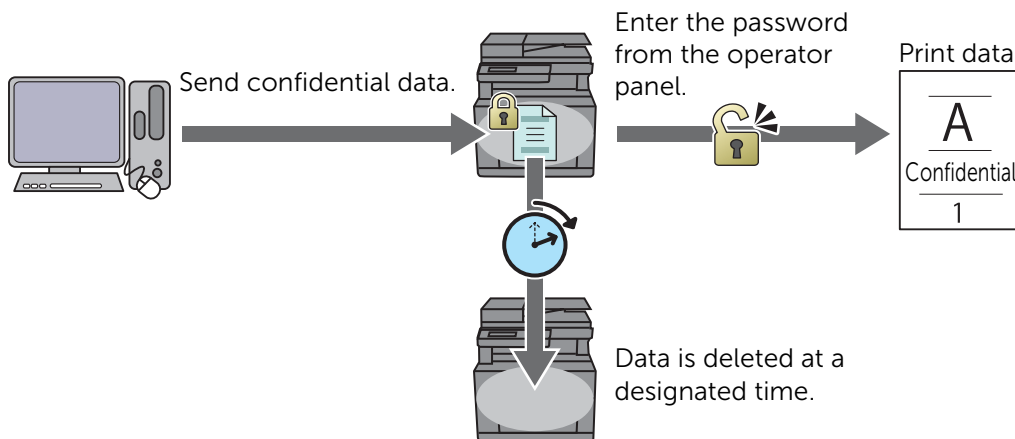
If you want to print confidential documents, see "Secure Print" and "Private Mailbox."

If you want to store the print job in the printer for re-printing, see "Private Mailbox" and "Public Mailbox."

If you want to prevent large number of misprinted copies, see "Proof Print."

Secure Print

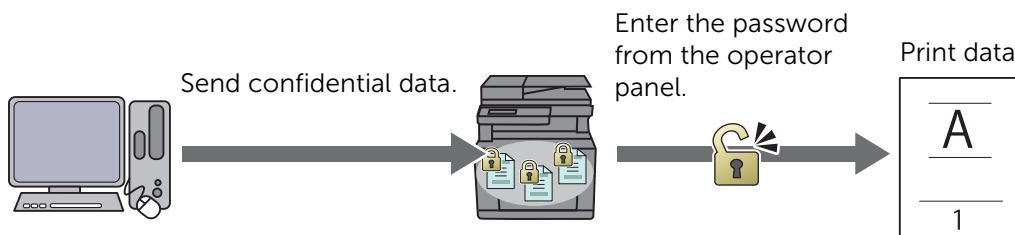
You can temporarily store print jobs secured with a password in the memory. Users with the password can print them from the operator panel. This feature can be used to print confidential documents. A stored print job is deleted after you print it or at a designated time.



Private Mailbox

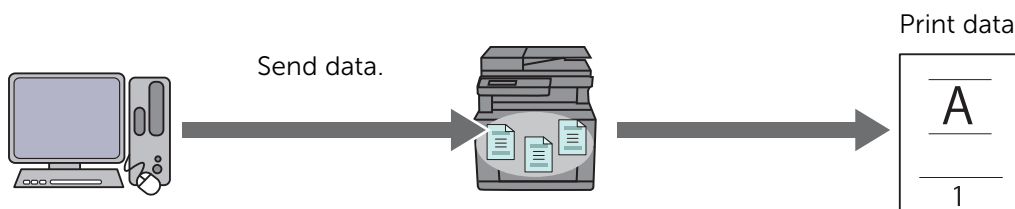
You can store print jobs in the printer for re-printing with a password. The stored jobs remain in the printer until you delete them from the operator panel. Only users with the

password can print them from the operator panel. This feature can be used to print confidential documents.



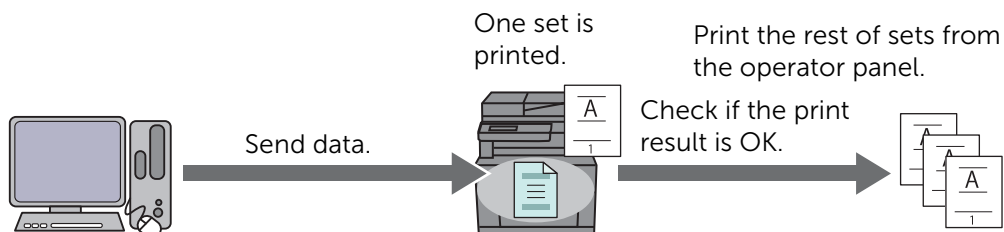
Public Mailbox

You can store print jobs in the printer for re-printing without a password. The stored jobs remain in the printer until you delete them from the operator panel. Any user can print them from the operator panel.



Proof Print

The collated print job is stored in the memory, but a single copy is printed so you can check the print result. If you do not have problems with the print result, you can choose to print more copies. This prevents large number of misprinted copies.



Procedures for Printing Stored Print

NOTE:

- The stored print feature is not available when a print job is too large for the available memory.
- The stored print feature is available when using the Printer Control Language (PCL) or PostScript (PS) driver.

Storing Print Jobs With the Print Driver

To use the stored print feature, you need to select **Secure Print**, **Proof Print**, **Private Mailbox**, or **Public Mailbox** from **Job Type** in the **General** tab of the print driver. The job is stored in the memory until you request to print it from the operator panel.

NOTE:

- You must specify a password for the Secure Print and Private Mailbox jobs.
- If a document name is not assigned to your print job in the print driver, the job's name is identified using the printer's time and date of submission to distinguish it from other jobs you have stored under your name.

Printing the Stored Jobs From the Operator Panel

1 Press the  (**Home**) button.

2 Tap  → **Print**.

3 Select a job type.

If the desired job type is not displayed, swipe the screen.

4 Select the desired user ID.

If the desired document is not displayed, tap  or  to scroll through the screen.

If you have selected **Secure Print** or **Private Mailbox** in step 3, enter the password using the number pad, and then tap **OK**.

NOTE:

- If you enter an invalid password, the message **Incorrect password Try again.** appears. Tap **Close** to return to the screen for entering the password.

5 Select the desired document.

If the desired document is not displayed, tap  or  to scroll through the screen.

To specify the number of copies, tap **Quantity**.

NOTE:

- For **Secure Print**, **Quantity** is not available.

6 For **Secure Print**, tap **Print** and **Delete**.

For **Private Mailbox**, tap **Print**.

NOTE:

- For **Secure Print**, the data in the memory is deleted after printing.
- For **Private Mailbox**, you can delete the data in the memory after printing if you select the **Print** and **Delete** check box.

7 Tap **OK**.

The stored job will be printed.

Deleting Stored Jobs

With **Secure Print**, a job that has been stored is deleted after printing or deleted at a designated time entered on the operator panel.

For other jobs, these jobs remain stored until you delete them from the operator panel.

To delete the stored jobs:

1 Press the  (**Home**) button.

2 Tap  → Print.

3 Select a job type.

If the desired job type is not displayed, swipe the screen.

4 Select the desired user ID.

If the desired document is not displayed, tap  or  to scroll through the screen.

If you have selected `Secure Print` or `Private Mailbox` in step 3, enter the password using the number pad, and then tap `OK`.

 **NOTE:**

- If you enter an invalid password, the message `Incorrect password Try again.` appears. Tap `Close` to return to the screen for entering the password.

5 Select the desired document.

If the desired document is not displayed, tap  or  to scroll through the screen.

6 Tap `Delete`.

Printing From USB Flash Drive

The USB Direct Print feature allows you to print files stored in a USB flash drive without using a computer.

 **CAUTION:**

- **To prevent damage to the printer, do not connect any device other than a USB flash drive to the front USB port of the printer.**
- **Do not remove the USB flash drive from the front USB port until the printer has finished printing.**

 **NOTE:**

- If the Functions Control setting is set to `On (Password)`, you need to enter the four-digit password to use the function. If the Functions Control setting is set to `Off`, the function is disabled and the menu is not displayed on the screen. See "Functions Control."

Supported USB Flash Drive

For the front USB port of the printer, you can use a USB flash drive with the following specification:

- USB 2.0 and 1.1
- Type A connector
- Metal shielded
- FAT16/FAT32

 **NOTE:**


- If the USB flash drive is formatted in a file system other than the above, the printer may not detect the USB flash drive.
- A USB flash drive with authentication feature and some brands of USB flash drive cannot be used with this printer.

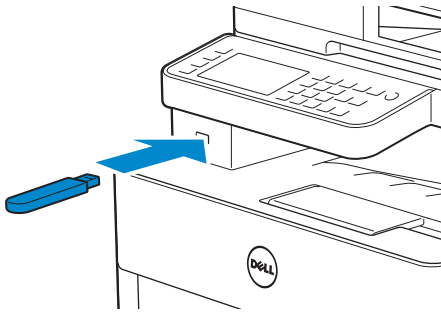
Supported File Formats

Files in the following file formats can be printed directly from a USB flash drive:

- PDF
- TIFF
- JPEG

Printing a PDF/TIFF or JPEG File in a USB Flash Drive


- 1 Press the  (Home) button.
- 2 Insert a USB flash drive to the front USB port of the printer.



- 3 Tap `Print PDF/TIFF` or `Print JPEG`.
- 4 Select the desired file.
If the desired file is not displayed, swipe the screen or tap folders.

NOTE:

- Only the following characters are displayed on the touch panel:
A B C D E F G H I J K L M N O P Q R S T U V W X Y Z 0 1 2 3 4 5 6 7 8 9 \$ % ' ' - @ { } ~ ! # () & _ ^
- Up to 10 PDF/TIFF or 100 JPEG files can be selected and printed in display order.

- 5 Tap , and then check and change the print settings.
See "Print Settings."

- 6 Tap `Print`.

CAUTION:

- **Do not remove the USB flash drive while the printer is accessing the drive. The data in the drive may be destroyed, or the drive itself may be damaged and become unusable.**

NOTE:

- Color printing is secured with a password if the Functions Control setting for `USB Direct Print` is set to `On (Color Password)`. If you set `Output Color` to `Full Color` and the Functions Control setting for `USB Direct Print` to `On (Color Password)`, you are required to enter the four-digit password.
- Only PDF/TIFF or JPEG files created using the scan function of the printer can be printed through the USB Direct Print feature.

- 7 Remove the USB flash drive from the printer.

CAUTION:

- **Make sure that the printer is not accessing the USB flash drive.**

Printer Settings

You can change most of the print settings from the program you are printing from. Settings from the program update the default system settings for the printer. Settings from the print driver only apply to the job that you are currently sending to the printer. If you cannot change a setting from the program, use the operator panel, Tool Box on Dell Printer Hub/Dell Printer Management Tool, or Dell Printer Configuration Web Tool.

Changing a system setting from the operator panel, Tool Box, or Dell Printer Configuration Web Tool makes that setting the user default.

You can verify the detailed system settings by printing a system settings report. For details about how to print a system settings report, see "Report / List."

You can reset settings to their default values from the operator panel.

See "Resetting Defaults."



1 Press the **i** (**Information**) button.

2 Tap the **Tools** tab → **Admin Settings**.

If **Panel Lock Control** is set to **Enable**, enter the password. See "Panel Lock."

3 Tap **PCL**, **PS**, or **PDF**.

4 Select the desired menu item.

If the desired menu item is not displayed, tap  or  to scroll through the screen.

5 Select the desired setting or enter the value, and then tap **OK**.

6 Repeat steps 4 and 5 as needed.



Copying

NOTE:

- If the Functions Control setting is set to **On (Password)**, you need to enter the four-digit password to use the function. If the Functions Control setting is set to **OFF**, the function is disabled and the menu is not displayed on the screen. See "Functions Control."

Making Copies From the Document Glass

NOTE:

- A computer connection is not required for copying.
 - Remove any documents from the Duplex Automatic Document Feeder (DADF) before copying from the document glass.
 - Contaminants on the document glass may cause black spots on the copy output. For best results, clean the document glass before use. See "Cleaning the Scanner."
- 1 Place a single document facing down on the document glass, and then close the document cover.
See "Loading Documents."
 - 2 Press the  (**Home**) button.
 - 3 Tap  → Copy.
 - 4 Check and change the copy settings.
See "Copy."
 - 5 In **Quantity**, tap – or + to specify the number of copies.
 - 6 Tap **Copy**.

NOTE:



- To cancel a copy job, tap **Stop** at any time while scanning a document.

Making Copies From the DADF

CAUTION:

- **Do not load more than 50 sheets into the DADF or allow more than 50 sheets to be fed to the document output tray. The document output tray should be emptied before it exceeds 50 sheets or your documents may be damaged.**

NOTE:

- A computer connection is not required for copying.
- 1 Load the document(s).
See "Loading Documents."
 - 2 Press the  (**Home**) button.
 - 3 Tap  → Copy.
 - 4 Check and change the copy settings.
See "Copy."
 - 5 In **Quantity**, tap – or + to specify the number of copies.

6 Tap **Copy**.



NOTE:

- To cancel a copy job, tap **Stop** at any time while scanning a document.

Using the ID Copy



NOTE:

- If the **Functions Control** setting is set to **Disable**, the function is disabled and the menu is not displayed on the screen. See "Functions Control."

You can copy both sides of an ID card on one side of a single sheet of paper in its original size by tapping **ID Copy** on the touch panel. This feature helps to show both sides of an ID card in one page in its original size.

1 Place an ID card facing down on the document glass, and then close the document cover.

See "Loading Documents."

2 Press the  (**Home**) button.

3 Tap  → **ID Copy**.

4 Check and change the copy settings.

See "Copy."

5 In **Quantity**, tap **-** or **+** to specify the number of copies.

6 Tap **Copy**.



NOTE:

- Color copy is secured with a password if the **Functions Control** setting for **Copy** is set to **On (Color Password)**. If you set **Output Color** to **Full Color** and the **Functions Control** setting for **Copy** to **On (Color Password)**, you are required to enter the four-digit password.

After the front side of the ID card is scanned, the screen prompts you to turn over the card.

To copy the back side:

a Turn the ID card over.

b Tap **Continue**.

To copy only one side:

a Tap **Print Now**.

Changing the Default Copy Settings




The default settings of the copy menu options such as **Output Color**, **Select Tray**, and **Darken/Lighten** can be set to the most frequently used modes. When you copy a document, the specified default settings are used unless they are changed using the operator panel.

The settings on `Default Settings` will be reflected when you create a new tile. If you change the settings on `Default Settings` after creating the new tile, it does not affect the settings of the tile you created earlier. See "Adding a New Tile."

 **NOTE:**

- You can set the same setting using the Tool Box on Dell Printer Hub/Dell Printer Management Tool or Dell Printer Configuration Web Tool. See the help on the Tool Box or "Dell™ Printer Configuration Web Tool."

To specify your own default settings:

- 1 Press the  (**Information**) button.
- 2 Tap the `Tools` tab → `Default Settings` → `Copy Defaults`.
- 3 Select the desired menu item.
If the desired menu item is not displayed, tap  or  to scroll through the screen.
- 4 Select the desired setting or enter the value, and then tap `OK`.
- 5 Repeat steps 3 and 4 as needed.

Scanning

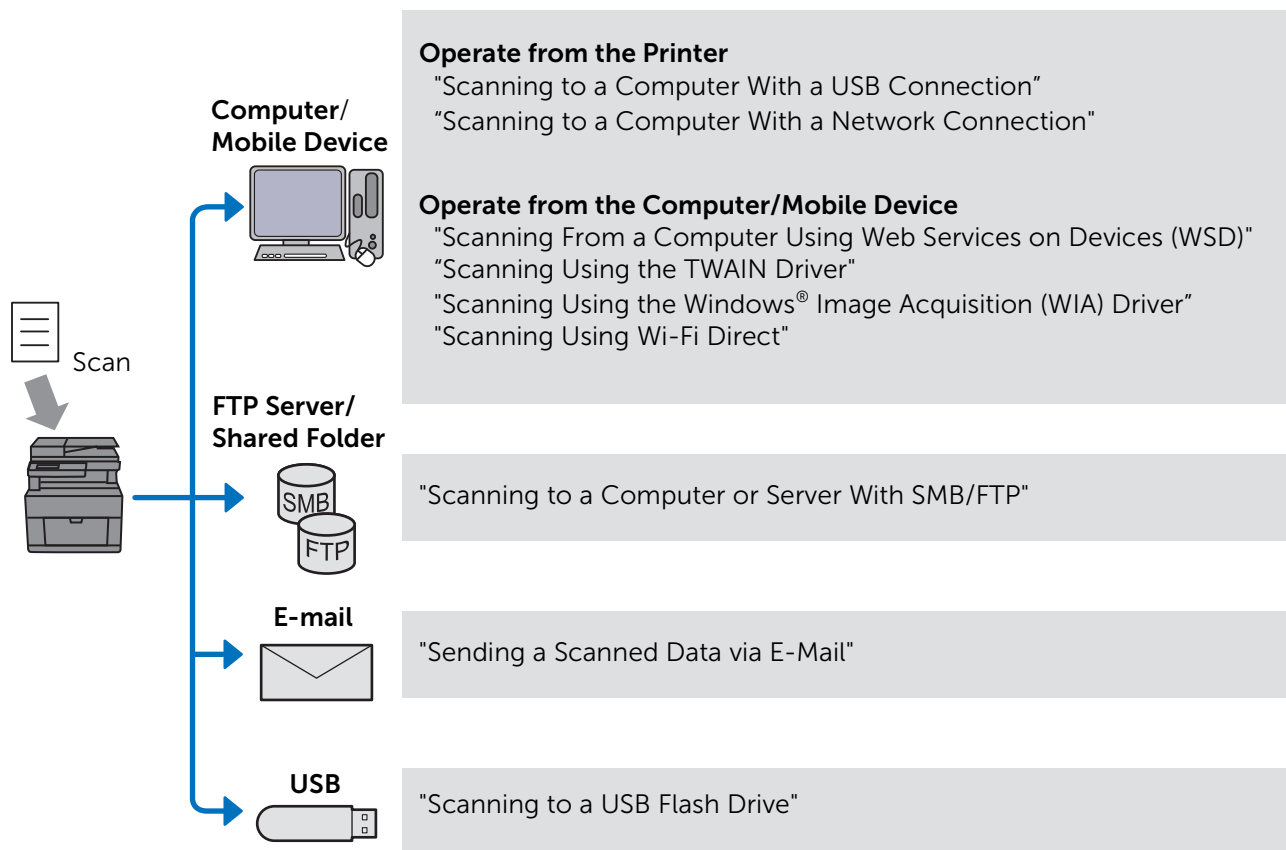
NOTE:

- If the Functions Control setting is set to On (Password), you need to enter the four-digit password to use the function. If the Functions Control setting is set to Off, the function is disabled and the menu is not displayed on the screen. See "Functions Control."

Scanning Overview

The printer provides several ways to scan your document. There are two main scanning types. One is operated on the printer side without using the scanner driver, and the other is operated on the computer side using a software and the scanner driver.

The following illustration shows overview for each scanning type.



The resolution setting to use when you scan an item depends on the item type and how you plan to use the image or document after you scan it to your computer. For the best results, use these recommended settings.

Type	Resolution
Documents	300 dpi black-and-white or 200 dpi grayscale or color
Documents of poor quality or that contain small text	400 dpi black-and-white or 300 dpi grayscale
Photographs and pictures	100–200 dpi color or 200 dpi grayscale
Images for an inkjet printer	150–300 dpi
Images for a high-resolution printer	300–600 dpi

Scanning above the recommended resolutions may exceed the capabilities of the program. To scan above the recommended resolutions, preview (or pre-scan) and crop the image to reduce the size before scanning the image.

Tips for Easy Network Scanning

- The network scanning with the Scan to Computer feature is recommended if you are not familiar with the network scanning setup. It provides the simple and easy steps for your convenience. For details, see "Scanning to a Computer With a Network Connection."
- Before using the Scan to Network Folder feature, configure the network connection details using the Address Book Editor if you are not familiar with the setup using Dell Printer Configuration Web Tool.

The Address Book Editor helps to register the scanning destination details to the printer.

Scanning to a Computer With a USB Connection

You can send scanned data from the operator panel to a computer connected via USB cable. The scanned data is saved in the **Documents** folder for Windows® or on the desktop for OS X by default. To change the location to save, see "Changing the Location to Save the Scanned Data."

NOTE:

- You must connect your computer via USB for selecting the Scan to Computer feature from the operator panel. Network connection is not supported.
- This feature is supported on both Windows® and OS X.

1 Load the document(s).

See "Loading Documents."

2 Press the (Home) button.

3 Tap → Scan to Computer.

4 Select a computer.

If the desired computer is not displayed, swipe the screen.

5 Check and change the scan settings.

See "Scan to Computer."

6 Tap Scan.

Scanning to a Computer With a Network Connection

If the printer is connected to a computer via the Scan to Computer network using Web Services on Devices (WSD), you can send scanned data to a computer.

NOTE:

- You need to setup connection using Web Services on Devices (WSD).
- Web Services on Devices (WSD) is supported only on Windows Vista®, Windows® 7, Windows® 8, Windows® 8.1, and Windows® 10.

Printer Setup for Scan to Web Services on Devices (WSD)

Setup the printer and computer for connection using Web Services on Devices (WSD).

Checking the Printer Setting

To use this scanning method, make sure that the Web Services on Devices (WSD) is enabled from the operator panel of the printer or on Dell Printer Configuration Web Tool. See "Port Settings" or "Protocols."

Setting Up the Computer



NOTE:

- For Windows® 8, Windows® 8.1, and Windows® 10, the computer automatically connects the printer using Web Services on Devices (WSD). There is no need to install the printer manually.

The following procedure uses Windows® 7 as an example.

- 1 Click **Start** → **Computer** → **Network**.
- 2 Right-click the icon of the printer, and then click **Install**.
The printer is connected using Web Services on Devices (WSD).
- 3 Click **Start** → **Devices and Printers**.
- 4 Right-click the icon of the printer, and then click **Scan profiles**.
- 5 Select the scanner, and then click **Edit**.
- 6 Specify the various settings of the profile, including the **Source** where the documents are loaded.

Scanning and Sending Images to the Computer

- 1 Load the document(s).
See "Loading Documents."
- 2 Press the  (**Home**) button.
- 3 Tap  → Scan to Computer.

NOTE:

- Whether to scan from the DADF or from the document glass can be specified in the scan profile. Make sure to specify the scan profile accordingly if you want to scan the document from the DADF.

- 4 Select a computer.
If the desired computer is not displayed, swipe the screen.



- 5 Specify the type of scan.
If the desired type is not displayed, swipe the screen.

For details about the type of scan, see "Scan to Computer."



6 Tap Scan.

Changing the Location to Save the Scanned Data

Use Dell Printer Hub (Dell H625cdw and Dell H825cdw) or Dell Printer Management Tool (Dell S2825cdn) to change the output destination of the obtained image files and to select whether to open the image files using the related program. For details, see the FAQs on Dell Printer Hub or Dell Printer Management Tool.

NOTE:

- Dell Printer Hub and Dell Printer Management Tool are supported on Windows® 7 or later.

To open Dell Printer Hub or Dell Printer Management Tool:

The following procedure uses Windows® 7, Windows® 10, and OS X 10.10 as examples.

For Windows® 7:

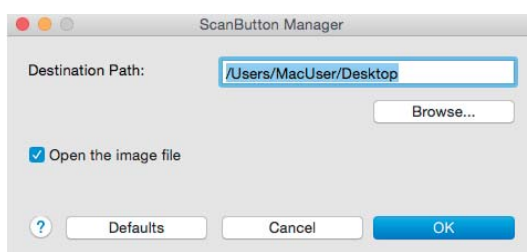
Click **Start** → **All Programs** → **Dell Printers** → **Dell Printer Hub/Dell Printer Management Tool**.

For Windows® 10:

Click the Start button → **Dell Printer Hub/Dell Printer Management Tool**.

For OS X 10.10:

Click **Finder** → **Applications** → **Dell** → **Dell Color Cloud Multifunction Printer - H625cdw/Dell Color Cloud Multifunction Printer - H825cdw/Dell Color Smart Multifunction Printer - S2825cdn**, and then double-click **ScanButton Manager**.



Scanning From a Computer Using Web Services on Devices (WSD)

If the printer is connected to a computer via network using Web Services on Devices (WSD), you can scan documents from the computer.

NOTE:

- To scan from the computer using Web Services on Devices (WSD), you need to setup connection using Web Services on Devices (WSD).
- Web Services on Devices (WSD) is supported only on Windows Vista®, Windows® 7, Windows® 8, Windows® 8.1, and Windows® 10.

Preparations for Scanning From the Computer

The same preparations are necessary as in using the Scan to Computer feature. See "Scanning to a Computer With a Network Connection."

Scanning From the Computer

The following procedure uses Windows® 7 and Windows® 10 as example.

- 1 Load the document(s).

See "Loading Documents."

- 2 For Windows® 7:

Click **Start** → **Devices and Printers**.

For Windows® 10:

Right-click the Start button, and then click **Control Panel** → **Hardware and Sound** → **Devices and Printers**.

- 3 Right-click the printer, and then select **Start scan**.

- 4 Specify the necessary settings for scanning, and then click **Scan**.

NOTE:

- When you use Windows Vista®, use the drawing software such as Microsoft® Photo Gallery, select the printer connected using the Web Services on Devices (WSD), and start scanning.

Scanning Using the TWAIN Driver

With the TWAIN driver, you can import scanned images to a software such as Adobe® Photoshop®.

NOTE:

- Both USB and Network connections are supported.
- This feature is supported on Windows® and Mac OS X 10.7 or later.
- To check and set the IP address of the printer, or set the password for Functions Control feature when PC Scan is set to On (Password). For details, see "Managing the Scanner."

The following procedure uses typical program that supports TWAIN as an example.

- 1 Load the document(s).

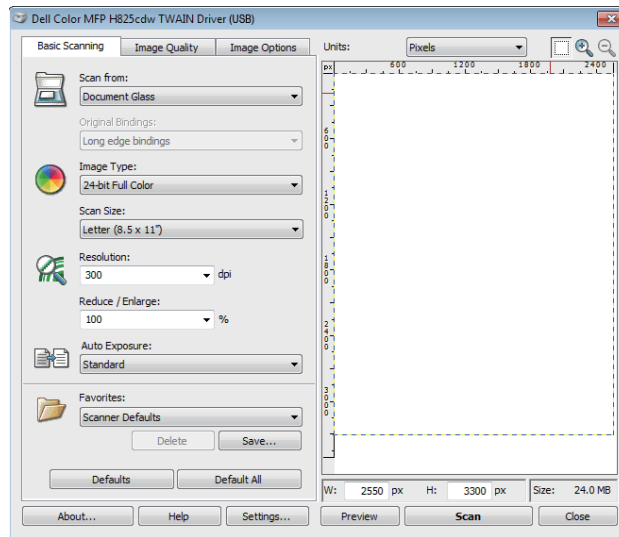
See "Loading Documents."

- 2 Start the graphic software that supports TWAIN, such as Adobe® Photoshop®.

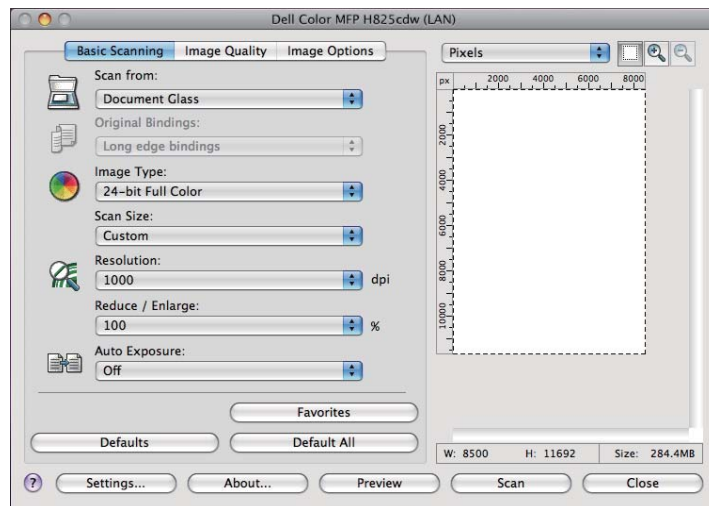
- 3 Select the scanner from the TWAIN menu on the graphic software, specify the necessary settings, and then start scanning on the window such as shown below.

For details on operating the graphic software, see the manuals of your software.

For Windows®:



For OS X:



NOTE:

- The screen image may vary depending on the operating system.

Scanning Using the Windows® Image Acquisition (WIA) Driver

Windows® Image Acquisition (WIA) is one of the standard components provided by Windows® XP and later operating systems and works with digital cameras and scanners. Unlike the TWAIN driver, the Windows® Image Acquisition (WIA) driver allows you to scan an image and easily manipulate those images without using additional software.

With the Windows® Image Acquisition (WIA) driver, you can import scanned images to Microsoft® programs such as Windows® Photo Gallery and Microsoft® Paint.

 **NOTE:**

- Both USB and Network connections including Web Services on Devices (WSD) are supported.
- The Windows® Image Acquisition (WIA) driver is supported only on Windows® computers.
- To check and set the IP address of the printer, or set the password for Functions Control feature when PC Scan is set to On (Password). For details, see "Managing the Scanner."

Scanning an Image From the Drawing Software

The following procedure uses Windows® 7 as an example.

- 1 Load the document(s).
See "Loading Documents."

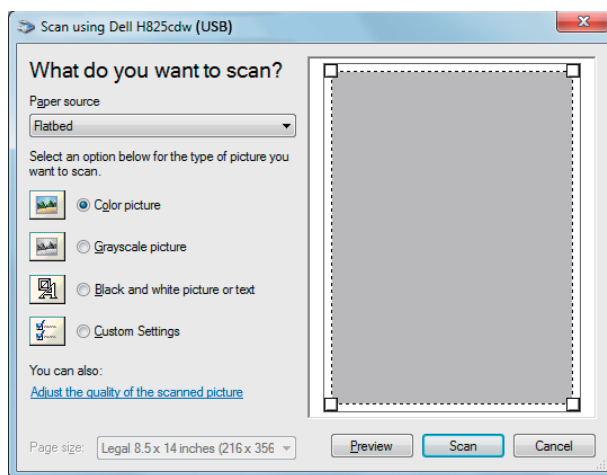
- 2 Start the drawing software, such as Microsoft® Paint for Windows®.

 **NOTE:**

- When using Windows Vista® or Windows Server® 2008, use Windows® Photo Gallery instead of Microsoft® Paint.
- When using programs that utilize Windows® Image Acquisition (WIA) 2.0, such as Windows® Fax and Scan on Windows Vista®, Windows® 7, Windows® 8, Windows® 8.1, and Windows® 10, the **Feeder (Scan both sides)** option can be selected for duplex scanning.

- 3 Click **Paint** → **From scanner or camera**.

The following image uses Dell H825cdw as an example.



 **NOTE:**

- The screen image may vary depending on the operating system.

- 4 Select your desired type of picture, and then click **Adjust the quality of the scanned picture**.
- 5 Click the desired properties → **OK**.
- 6 Click **Scan** → **Save**.

Scanning Using Wi-Fi Direct

This section provides information for Wi-Fi Direct scanning. Wi-Fi Direct allows your mobile devices such as computers, smartphones, and tablets, to connect to the printer

directly via a Wi-Fi network. With Wi-Fi Direct, you can scan documents from your mobile devices directly without an access point or a wireless router.

To setup and connect using Wi-Fi Direct, See "Setting Up Wi-Fi Direct."

NOTE:

- Wi-Fi Direct is available on Dell H625cdw and Dell H825cdw.
- The maximum number of mobile devices that can be connected via the Wi-Fi Direct network is 3.
- You cannot connect your mobile device to the Internet via the printer's Wi-Fi Direct network.
- Depending on the mobile device, the channel used to connect the mobile device to the printer via Wi-Fi Direct may differ from the channel used by the printer to connect to a network via Wi-Fi infrastructure mode. In such a case, simultaneous connection with Wi-Fi Direct and Wi-Fi infrastructure mode may not work properly.
- The printer connected with Wi-Fi Direct supports the following protocols; LPD, Port9100, WSD*, Bonjour (mDNS), SNMPv1/v2c, Dell Printer Configuration Web Tool, TWAIN, WIA, ICA.

* WSD stands for Web Services on Devices.

Scanning via Wi-Fi Direct

The scanning procedure varies depending on the mobile device and the application you are using. Refer to the manual supplied with your mobile device or application to scan.

Scanning to a Computer or Server With SMB/FTP

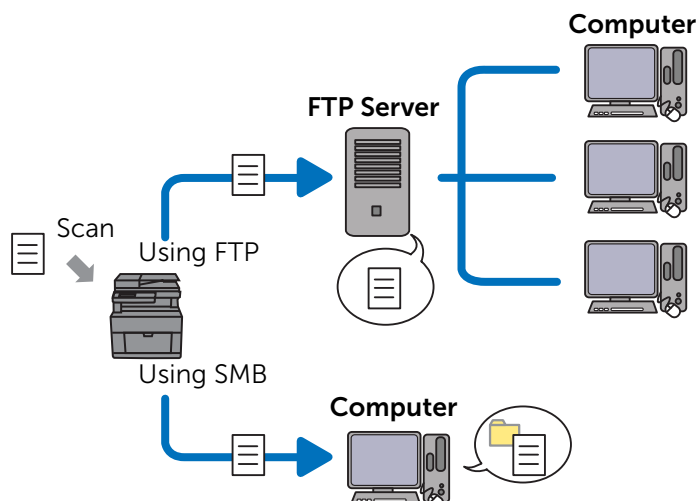
You can scan and send the scanned data to a shared folder on a computer or an FTP server.

NOTE:

- This feature does not require a network scanner driver.

Overview

The Scan to Network Folder feature allows you to send the scanned data to a computer or FTP server.



Required Operating Systems:

For FTP:

NOTE:

- For details about how to configure the FTP service, refer to the manual supplied with the software.
- Windows Vista® supports IPv4 only.
- Windows®
Windows Server®
FTP service of Microsoft® Internet Information Services
- Mac OS X 10.7 or later operating systems
FTP service of Mac OS X

For SMB:

This feature is supported on Windows Server® 2008 or later and Mac OS X 10.7 or later.

Overview for Scanning to an FTP Server

The following is a typical setup flow for sending scanned data to an FTP server:

- 1 Set SMB/FTP Destination into the address book.
See "Setting SMB/FTP Destination Into the Address Book."
- 2 Send the scanned data on the network.
See "Sending the Scanned Data on the Network."

Overview for Scanning to a Shared Folder Using SMB

NOTE:

- The setup for Scan to Network Folder via SMB can be configured easily with the bundled Address Book Editor utility.
For details about Address Book Editor, see "Using Address Book Editor."
- Scan to Network Folder can be also accomplished with the Web Services on Devices (WSD) function.
For details about scanning using the Web Services on Devices (WSD) function, see "Scanning to a Computer With a Network Connection" and "Scanning From a Computer Using Web Services on Devices (WSD)."

The following is a typical setup flow for sending scanned data to a shared folder using SMB:

- 1 Set a user account.
See "Setting a User Account (SMB Only)."
- 2 Create a shared folder.
See "Creating a Shared Folder (SMB Only)."
- 3 Set SMB/FTP Destination into the address book.
See "Setting SMB/FTP Destination Into the Address Book."
- 4 Send the scanned data on the network.
See "Sending the Scanned Data on the Network."

Setting a User Account (SMB Only)

To send scanned data to a SMB shared folder, it is necessary to have a shared folder on a computer. To create a shared folder, a user account with a valid password is required.

For Windows®:



If the user account you are going to use does not have a login password, set a password with the following procedure.

After checking the login user name and password of the user account, proceed to "Creating a Shared Folder (SMB Only)."

The following procedure uses Windows® 7, Windows® 10, and OS X 10.10 as examples.

For Windows® 7:

- 1 Click **Start** → **Control Panel** → **User Accounts and Family Safety** → **User Accounts** → **Create a password for your account**.
- 2 Add in a password for your user login account.

For Windows® 10:

- 1 Right-click the Start button, and then click **Settings**.
- 2 Click **Accounts** → **Sign-in options** → **Add** under **Password**.
- 3 Add in a password for your user login account.

For OS X 10.10:

- 1 Click **System Preferences** → **Users & Groups** → **Change Password**.
- 2 Enter a password for your user login account in **New password**.
- 3 Re-enter the password in **Verify**.

Creating a Shared Folder (SMB Only)

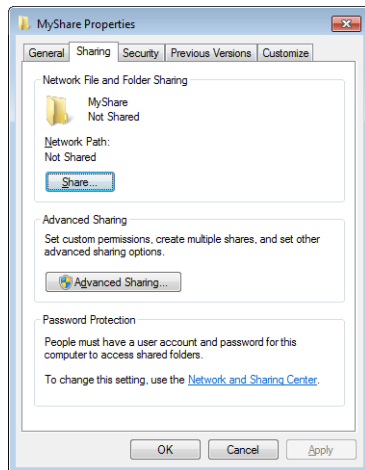
Create a shared folder to store the scanned data from the printer.

The following procedure uses Windows® 7, Windows® 10, and OS X 10.10 as examples.

For Windows® 7 and Windows® 10:

- 1 Create a folder in the desired directory on your computer.
MyShare is used as an example folder name in this procedure.

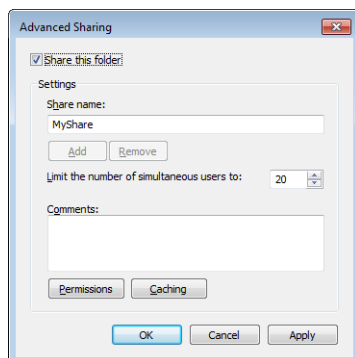
- 2 Right-click on the folder, and then click **Properties**.
- 3 Click the **Sharing** tab → **Advanced Sharing**.



- 4 Select the **Share this folder** check box.
- 5 Enter a shared name in the **Share name** box.

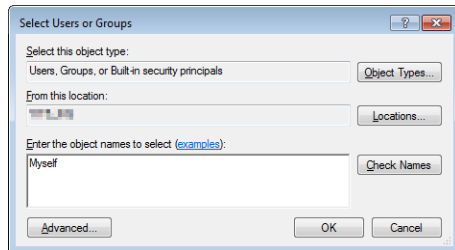
 **NOTE:**

- Write down the shared name as you need to use this name in the next setting procedure.



- 6 Click **Permissions** to create a write permission for this folder.
- 7 Click **Add**.
- 8 Search user login name by performing either of the following:
 - Click **Advanced**, and then search user login name.
 - Enter the user login name in the **Enter the object names to select** text box, and then click **Check Names**.

Myself is used as an example login name in the following illustration.



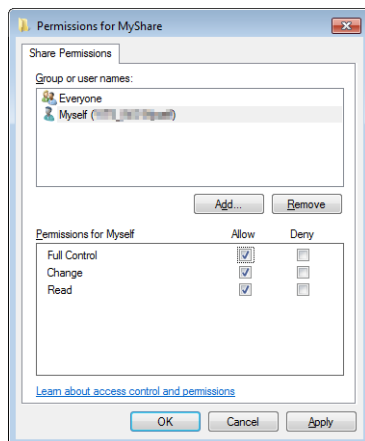
9 Click **OK**.

10 Click the user login name that you have just entered, and then select the **Full Control** check box.

This permits the document to be sent into this folder.

 **NOTE:**

- Do not use **Everyone** as the user login name.



11 Click **OK**.

 **NOTE:**

- To add sub-folders, create new folders in the shared folder you have created.
For example:
Folder name: *MyShare*, Second-level folder name: *MyPic*, Third-level folder name: *John*
You should now see *MyShare\MyPic\John* in your directory.

When you are finished creating a shared folder, proceed to "Setting SMB/FTP Destination Into the Address Book."

For OS X 10.10:

- 1 Create a folder in the desired directory on your computer.
MyShare is used as an example folder name.
- 2 Click the created folder → **File** → **Get Info**.
- 3 Select the **Shared folder** check box.
- 4 Open **System Preferences**, and then click **Sharing**.
- 5 Select the **File Sharing** check box, and then click **Options**.

6 Select the **Share Files and folders using SMB** and account name check boxes.

7 Click **Done**.

When you are finished creating a shared folder, proceed to "Setting SMB/FTP Destination Into the Address Book."

Setting SMB/FTP Destination Into the Address Book

You can register the connection details for SMB and FTP server in the address book using Dell Printer Configuration Web Tool or Address Book Editor.

Before entering the destination information, make sure that you have the IP address of your computer ready. See "Confirming the IP Address of Your Computer."

After you finish registering the destination information of the SMB or FTP server, proceed to "Sending the Scanned Data on the Network."

Confirming the IP Address of Your Computer

Perform the following procedure to check the IP address of the computer.

For Windows®:

The following procedure uses Windows® 7/Windows® 10 as an example.

1 For Windows® 7:

Click **Start** → **All Programs** → **Accessories** → **Run**.

For Windows® 10:

Right-click the Start button, and then click **Run**.

2 Enter "**cmd**" in the text box, and then click **OK**.

A command prompt window opens.

3 Enter `ipconfig`, and then press <Enter> on the keyboard.

4 Write down the IP address.

For OS X:

The following procedure uses OS X 10.10 as an example.

1 Open **System Preferences**, and then click **Network**.

The IP address is displayed under **Status**.

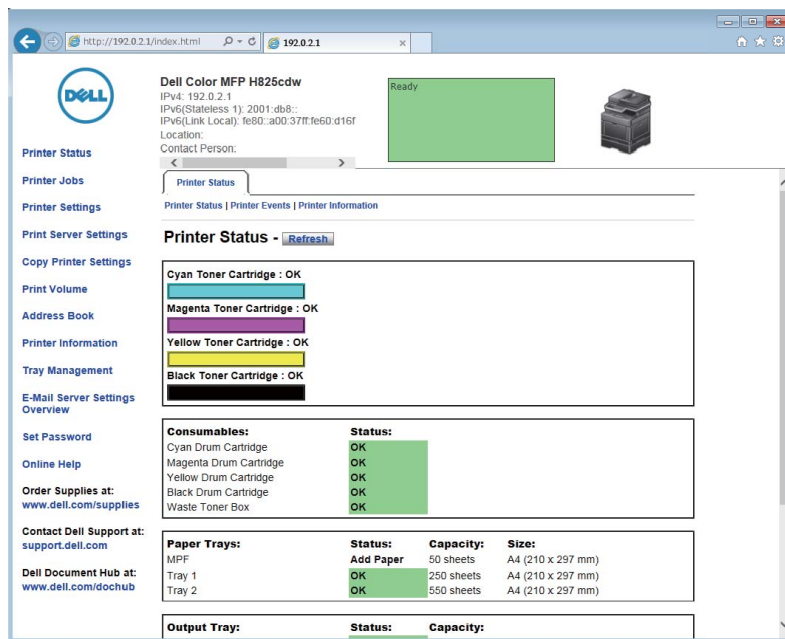
2 Write down the IP address.

Using Dell Printer Configuration Web Tool

1 Start Dell Printer Configuration Web Tool.

See "Starting Dell Printer Configuration Web Tool."

2 Click **Address Book**.

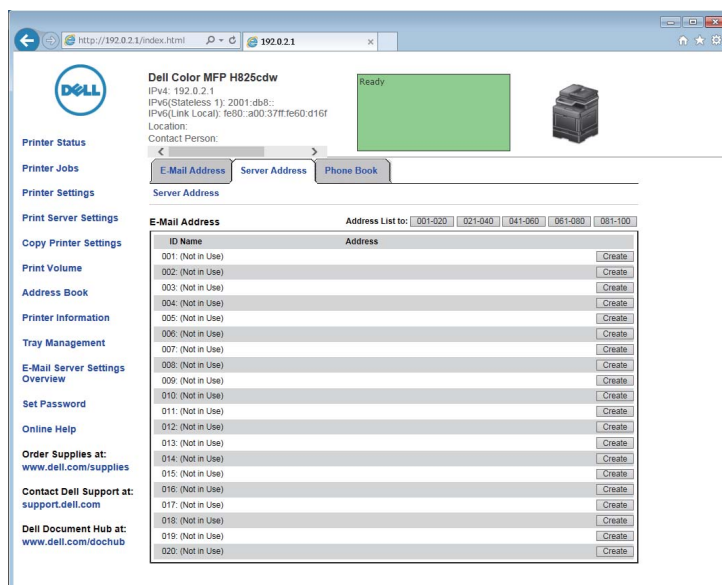


If a security login dialog box appears, enter user name and password.

NOTE:

- The default user name is "admin," and the default password is left blank (NULL).

3 Click the **Server Address** tab → **Create**.



The **Server Address** page appears.

Server Address

ID 01 (New Registration)

Name
e.g. PeterShare, Shared Folder

Server Type FTP SMB
FTP(ftp://Server Address/Server Path)
SMB(\Server Address\Share Name\Server Path)

Server Address
e.g. myPC, XXX.XXX.XXX.XXX

Share Name
e.g. SMB\Share, Sharedfolder

Server Path
e.g. FTP(pub, pub/share), SMB(finance, finance/Peter, finance/Peter/Sales)

Server Port Number FTP (21, 5000 ~ 65535) , SMB (139, 445, 5000 ~ 65535)

Login Name
e.g. FTP(anonymous, Peter), SMB(Peter, Domain\Peter)

Login Password

Re-enter Password

4 Enter the information as follows to fill in the fields.

Name	Enter a name of your choice. This appears as the name for the Server Address in the address book.
Server Type	Select FTP to send documents to an FTP server. Select SMB to send documents to a shared folder on your computer using Server Message Block (SMB).
Server Address	Enter the name or IP address of the server or computer. Example: <ul style="list-style-type: none"> For FTP: Server name: <i>abc.example.com</i> (abc: host name, example.com: domain name) IP address: <i>192.0.2.1</i> For SMB: Computer name: <i>abc</i> IP address: <i>192.0.2.1</i>
Share Name	Enter the name of the shared folder. See "Creating a Shared Folder (SMB Only)." For SMB only. <ul style="list-style-type: none"> Example: <i>Share, Sharefolder</i>
Server Path	Enter the path of the sub-folder within the shared folder. If you have not created a sub-folder, leave this blank. When entering the sub-folder path, make sure that the sub-folder is already created. Do not enter the name of the shared folder. Example: Shared Folder name: <i>MyShare</i> , Second-level folder name: <i>MyPic</i> Enter " MyPic ". If you have created a sub-folder within a sub-folder, separate each sub-folder name with a backslash (SMB) or forward slash (FTP). Example: Shared Folder name: <i>MyShare</i> , Second-level folder name: <i>MyPic</i> , Third-level folder name: <i>John</i> <ul style="list-style-type: none"> For SMB enter "MyPic\John". For FTP enter "MyPic/John".
Server Port Number	Enter the Server Port Number. If you are unsure, you can enter the default value of 21 for FTP or 139 for SMB. Available ports are: FTP: 21, 5000 - 65535 SMB: 139, 445, 5000 - 65535

Login Name	Enter the user account name to allow access to a shared folder on your computer or to an FTP server. <ul style="list-style-type: none"> • For FTP: Contact your system administrator. • For SMB: Windows® login name that you have specified in "Setting a User Account (SMB Only)."
Login Password	Enter the password corresponding to the above login name. <ul style="list-style-type: none"> • For FTP: Contact your system administrator • For SMB: Empty password is not valid in Network (Computer). Make sure that you have a valid password for the user login account. See "Setting a User Account (SMB Only)."
Re-enter Password	Re-enter your password.

5 Click Apply New Settings.

Using Address Book Editor

The following procedure uses OS X 10.10 as an example.

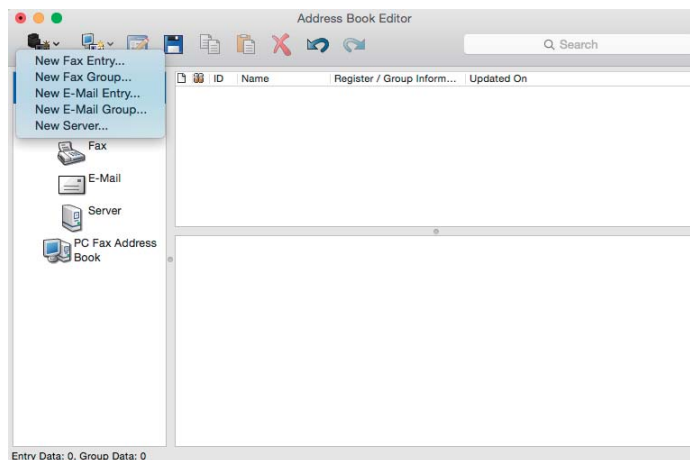
NOTE:

- For Windows®, you can operate Address Book Editor with using the Tool Box on Dell Printer Hub and Dell Printer Management Tool. See "Tool Box."

1 Click Finder → Applications → Dell → Dell Color Cloud Multifunction Printer - H625cdw/Dell Color Cloud Multifunction Printer - H825cdw/Dell Color Smart Multifunction Printer - S2825cdn, and then double-click Address Book Editor.

2 Perform either of the following:

Click **New (Device Address Book) → New Server.**



3 Enter the information as follows to fill in the fields.

The screenshot shows a dialog box titled "Server Address - 001". It has several input fields and options:

- Address ID: 1, with a checkbox "Specify an Address Number" (unchecked).
- Name: An empty text box.
- Server Type: Radio buttons for "Computer" (selected) and "Server".
- Server Name / IP Address: An empty text box.
- Share Name: An empty text box.
- Path: An empty text box.
- Login Name: An empty text box.
- Login Password: An empty text box.
- Confirm Login Password: An empty text box.
- Port Number: 139, with a checked checkbox "Use Default Port Number".




 At the bottom, there are "Cancel" and "OK" buttons, and a help icon on the left.

Name	Enter a name of your choice. This appears as the name for the Server Address in the address book.
Server Type	Select Computer to send documents to a shared folder on your computer using Server Message Block (SMB). Select Server to send documents to an FTP server.
Server Name/IP Address	Enter the name or IP address of the server or computer. Example: <ul style="list-style-type: none"> • For Computer (SMB): Computer name: <i>myhost</i> IP address: <i>192.0.2.1</i> • For Server (FTP): Server name: <i>abc.example.com</i> (abc: host name, example.com: domain name) IP address: <i>192.0.2.1</i>
Share Name	Enter the name of the shared folder. See "Creating a Shared Folder (SMB Only)." For SMB only. Example: <i>Share, Sharefolder</i>
Path	Enter the path of the sub-folder within the shared folder. If you have not created a sub-folder, leave this blank. When entering the sub-folder path, make sure that the sub-folder is already created and do not enter the name of the shared folder. Example: Shared Folder name: <i>MyShare</i> , Second-level folder name: <i>MyPic</i> Enter " MyPic ". If you have created a sub-folder within a sub-folder, separate each sub-folder name with a backslash (SMB) or forward slash (FTP). Example: Shared Folder name: <i>MyShare</i> , Second-level folder name: <i>MyPic</i> , Third-level folder name: <i>John</i> <ul style="list-style-type: none"> • For SMB enter "MyPic\John". • For FTP enter "MyPic/John".
Login Name	Enter the user account name to allow access to a shared folder on your computer (SMB) or to an FTP server. <ul style="list-style-type: none"> • For Computer (SMB): Windows® login name that you have specified in the procedure 1. • For Server (FTP): Contact your system administrator.

Login Password	Enter the password corresponding to the login name. <ul style="list-style-type: none"> • For Computer (SMB): Empty password is not valid in Network(Computer). Make sure that you have a valid password for the user login account. See "Setting a User Account (SMB Only)." • For Server (FTP): Contact your system administrator.
Confirm Login Password	Re-enter your password.
Port Number	Enter the Server Port Number. If you are unsure, you can enter the default value of 139 for Computer (SMB) and 21 for FTP server. Available ports are: For Computer (SMB): 139, 445, 5000 - 65535 For Server (FTP): 21, 5000 - 65535

4 Click **OK**.

Sending the Scanned Data on the Network

- 1 Load the document(s).
See "Loading Documents."
- 2 Press the  (**Home**) button.
- 3 Tap  → Scan to Network Folder.
- 4 Tap the desired address → **Done**.
If the desired address is not displayed, swipe the screen.
- 5 Tap , and then check and change the scan settings.
See "Scan Settings."
- 6 Tap **Scan**.
When the document is loaded on the document glass, the screen prompts you to scan another page.
 - If you want to scan another page, place the document, and then tap **Continue**.
 - If you are finished scanning, tap **Done**.

Scanning to a USB Flash Drive


The Scan to USB feature allows you to store scanned data directly to a USB flash drive attached to the printer without using software.


See "Supported USB Flash Drive."

Procedures

To store the scanned data to a USB flash drive:

NOTE:

- If you insert a USB flash drive to the front USB port first, the **USB Drive Detected** screen may appear. In this case, select **Scan to USB**, and then proceed to step 6.
- 1 Load the document(s).
See "Loading Documents."
 - 2 Press the  (**Home**) button.
 - 3 Insert a USB flash drive into the front USB port of the printer.

- 4 Tap **Scan to USB**.
- 5 Select a folder to save the scanned data.
See "Specifying a Folder to Save the Scanned Data."
- 6 Tap , and then check and change the scan settings.
See "Scan Settings."
- 7 Tap **Scan**.

 **CAUTION:**

- **Do not remove the USB flash drive while the printer is accessing the drive. The data in the drive may be destroyed, or the drive itself may be damaged and become unusable.**

When the document is loaded on the document glass, the screen prompts you to scan another page.

- If you want to scan another page, place the document, and then tap **Continue**.
- If you are finished scanning, tap **Done**.

- 8 Remove the USB flash drive from the printer.

 **CAUTION:**

- **Make sure that the printer is not accessing the USB flash drive.**

Specifying a Folder to Save the Scanned Data

To save the scanned data to a folder in the USB flash drive, specify the folder before executing the scan job.

- 1 If folders exist in the USB flash drive, the folder names appear on the touch panel.
- 2 Select a folder to save the scanned data.

 **NOTE:**

- The default saving location is the root directory of the USB flash drive.
- You cannot directly enter a folder path using the numeric keypad.
- You can select any folder in the USB flash drive but cannot create a new folder in this step.
You should always create a new folder before connecting the USB flash drive to the printer.

If the name of the scanned data already exists in the folder, the printer generates a new file name to save the data.

Sending a Scanned Data via E-Mail

You can send the data scanned as an e-mail attachment using the Scan to Email feature. To send an e-mail, an e-mail account is necessary such as the corporate mail account or the Internet service provider's mail account. Gmail account can be used as well.

The following are the procedures necessary to setup Scan to Email feature:

- 1 "Gathering the Necessary Information About Your E-mail Account"
- 2 "Setting the DNS Server Address"
- 3 "Setting the Information Necessary to Access the Mail Server"

Gathering the Necessary Information About Your E-mail Account

To send an e-mail from the printer, the following information is necessary:

- E-mail account (user account) information
- E-mail server information

NOTE:

- For details about your e-mail account or the mail server, contact your network administrator or your Internet service provider.
- When the printer is connected to the network via a proxy server, the printer may not be able to send the e-mail. In this case, contact your network administrator.
- The following preparations are effective while the e-mail account information is valid. You do not have to repeat the settings whenever you send the e-mail.

Setting the DNS Server Address

To set the DNS server address to the printer, perform the following procedure:

- 1 Start Dell Printer Configuration Web Tool.
See "Starting Dell Printer Configuration Web Tool."
- 2 Click **Print Server Settings** → the **Print Server Settings** tab → **TCP/IP**.
- 3 Perform either of the following:
 - If you are using DHCP for TCP/IP setting for the printer:
Select the **Enable** check box for **Get DNS Server Address from DHCP** in **DNS**.
 - If you are setting TCP/IP manually:
Set **Manual DNS Server Address** in **DNS**.
- 4 Click **Apply New Settings**.

Setting the Information Necessary to Access the Mail Server

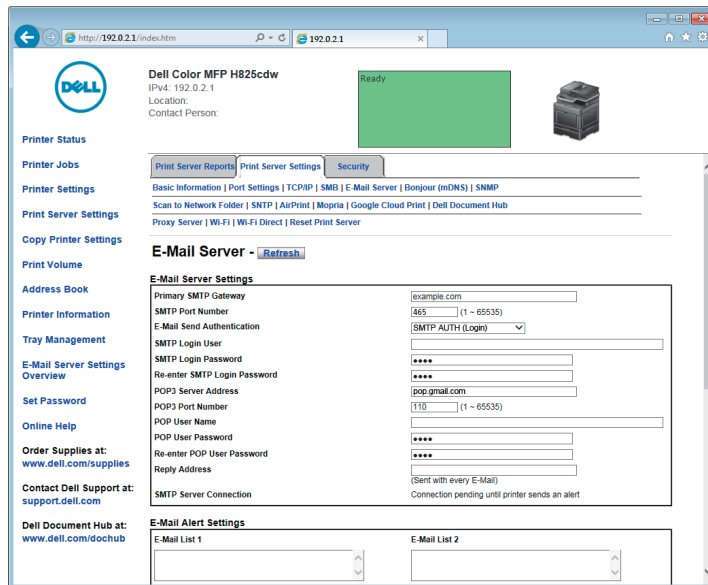
To make the printer to send an e-mail, perform the following procedure:

- 1 Start Dell Printer Configuration Web Tool.
See "Starting Dell Printer Configuration Web Tool."
- 2 Click **Print Server Settings** → **E-Mail Server**.

3 Set the mail server information as follows:

NOTE:

- In this procedure, the server settings for a Gmail account are used as an example. The server settings differ for each e-mail service.
- Information about the Gmail account is based on the information as of June 2015. For the latest information, visit the homepage of Gmail.



- a** In the **Primary SMTP Gateway** text box, set the primary SMTP gateway.
For example: *smtp.gmail.com*
- b** In the **SMTP Port Number** text box, enter the SMTP port number.
This must be 25, 465, 587 or between 5000 and 65535.
For example: *465*
- c** In the **E-Mail Send Authentication** drop-down list box, specify the authentication method for outgoing e-mail.
For example: *SMTP AUTH (Login)*
- d** In the **SMTP Login User** text box, set the SMTP login user.
Up to 63 alphanumeric characters, periods, hyphens, underscores, and at symbols (@) can be used. If specifying more than one address, separate them using commas.
For example: *abc@gmail.com*

NOTE:

- It is not recommended to share a personal e-mail account with the Scan to Email function of the printer. Instead, use an e-mail account dedicated to Scan to Email function.
- e** In the **SMTP Login Password** text box, set the SMTP account password.
Up to 31 alphanumeric characters can be used.
 - f** In the **Re-enter SMTP Login Password** text box, enter the login password again to check it.
 - g** Perform either of the following:

- If you have selected other than **POP before SMTP (Plain)** or **POP before SMTP (APOP)** in the **E-Mail Send Authentication** drop-down list box, proceed to step h.
- If you have selected **POP before SMTP (Plain)** or **POP before SMTP (APOP)** in the **E-Mail Send Authentication** drop-down list box, enter the following:
 - In the **POP3 Server Address** text box, enter the POP3 server address of pop.gmail.com or as a DNS host name using up to 63 characters.
 - In the **POP3 Port Number** text box, enter the POP3 server port number. This must be 110 or between 5000 and 65535.
 - In the **POP User Name** text box, set the POP3 account user name. Up to 63 alphanumeric characters, periods, hyphens, underscores, and at symbols (@) can be used. If specifying more than one address, separate them using commas.
 - In the **POP User Password** text box, enter the POP3 account password. Up to 31 alphanumeric characters.
 - In the **Re-enter POP User Password** text box, enter the POP user password again to check it.

h In the **Reply Address** text box, enter the reply e-mail address sent with each **E-Mail Alert**.

4 Click **Apply New Settings**.

- If SSL/TLS is not used or if **Invalid**, **POP before SMTP (Plain)**, or **POP before SMTP (APOP)** is selected for **E-Mail Send Authentication**, the mail server settings are complete.
- If SMTP authentication is selected for **E-Mail Send Authentication** and if SSL/TLS encryption is used to communicate with the SMTP server, the SSL/TLS type must be set in **SMTP-SSL/TLS Communication** of **SSL/TLS** under the **Security** tab. Proceed to step 5.

NOTE:

- To send an e-mail through Gmail, set the SSL/TLS type to **SSL/TLS** in **SMTP-SSL/TLS Communication** of **SSL/TLS** under the **Security** tab.

5 Click the **Security** tab → **SSL/TLS**.

6 Select a SSL/TLS type from the **SMTP-SSL/TLS Communication** list.

NOTE:

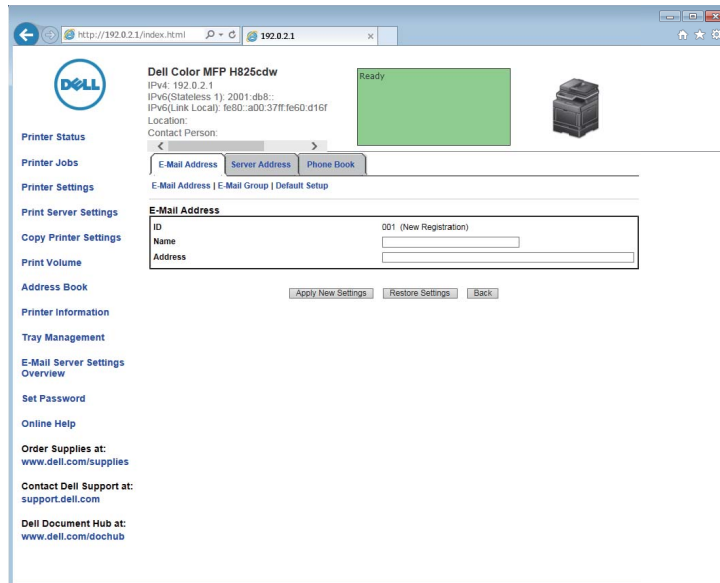
- To use a Gmail account, select **SSL/TLS**.

7 Click **Apply New Settings**.

Registering a Destination E-Mail Address to Address Book

- 1 Start Dell Printer Configuration Web Tool.
See "Starting Dell Printer Configuration Web Tool."
- 2 Click **Address Book** → **E-Mail Address** tab → **Create**.

The **E-Mail Address** page for registering a new e-mail address appears.



3 Enter the following:

- Name
- Address

4 Click **Apply New Settings**.

Sending an E-mail With the Scanned Data

1 Press the  (**Home**) button.

2 Tap  → Scan to Email.

3 Specify a recipient by either of the following:

- If you want to enter an e-mail address directly:
 - a Tap the `Enter Recipient's Address` text box.
 - b Enter the address using the keyboard.
 - c Tap `Done`.

You can remove or edit the recipient by tapping + and the recipient you specified.

- If you want to select from the following types of address books:

- a Tap `Address Book`.
- b Select a recipient from either of the following:
 - Tap `Individuals` to select an e-mail address registered in the address book.
 - Tap `Groups` to select a group of e-mails registered in the address book.
 - Tap `Network Address Book` to search an e-mail address from the LDAP server address book.

See "Sending an E-mail With the Scanned Data Using the E-mail Server Address Book."

- c Tap `Done`.

You can remove or see details of the recipient, or set the e-mail as Bcc by tapping + and the recipient you specified.


4 Tap **Sender**, and then specify the sender's e-mail address by either of the following:

- If you want to enter an e-mail address directly:
 - a Tap **Keyboard**.
 - b Enter the address using the keyboard.
 - c Tap **Done**.
- If you want to select from the address book:
 - a Tap **Address Book**.
 - b Select an e-mail address registered in the address book.
 - c Tap **Done**.
- If you want to select from the server address book:

See "Sending an E-mail With the Scanned Data Using the E-mail Server Address Book."

 **NOTE:**

- For details about address book and server address book, see "Using the Address Book and Phone Book."
- For details about **Network Address Book**, see "Using the Server Address Book and Server Phone Book."
- E-mail addresses need to be registered before you can select **Address Book**.

5 Tap , and then check and change the scan settings.

See "Scan Settings."

6 Tap **Send**.

When the document is loaded on the document glass, the screen prompts you to scan another page.

- If you want to scan another page, place the document, and then tap **Continue**.
- If you are finished scanning, tap **Done**.

Managing the Scanner

You can select the port connected to the computer, or set the password for the scanner from the TWAIN driver.

Open the application that supports TWAIN, and then click **Settings** in the scanning window.

Port Settings

When the printer is connected to the computer directly by a USB cable, select **USB**.

When the printer is connected to the network, select **Network**. Enter the IP address or hostname of the printer in the **IP Address or Hostname** text box, and then click **OK**.

When the Printer is Connected to the Network

When you are using DHCP for TCP/IP setting for the printer, the image capturing software may not find the scanner occasionally due to the change of the IP address allocated for the printer. In this case, check the IP address of the printer, and then connect the scanner by specifying the IP address.

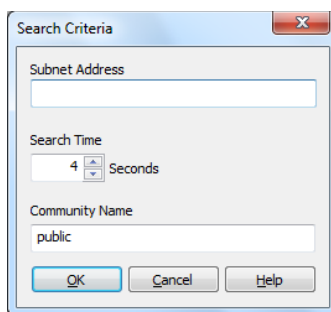
On Windows®, you can check the IP address of the printer using Dell Printer Hub or Dell Printer Management Tool. For Dell Printer Hub, select the printer from **My Printers**, and then click **Printer information** on the left of the screen. For Dell Printer Management Tool, select the printer displayed by default, or another printer from the drop-down list on the upper-right of the screen, and then click **Printer information** on the left.

Searching the Scanner

In the **Port Settings** tab, you can search the scanners from the network and select the desired one from the detected scanners.

Search all scanners from the network (Windows® only)	Select to search scanners in your network.
Scanner List	Displays a list of detected scanners.
Search again	Click to search the scanners in your network.
Search Criteria (Windows® only)	Click to display the Search Criteria dialog box for setting the search condition. See "Search Criteria Dialog Box (Windows® only)."

Search Criteria Dialog Box (Windows® only)

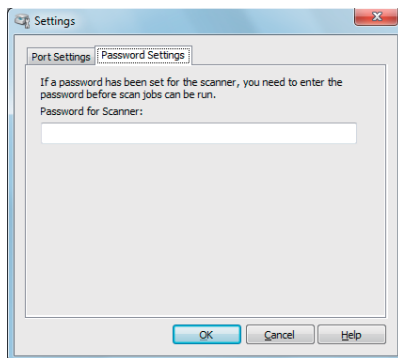


Subnet Address	Enter the subnet address. <ul style="list-style-type: none"> • IPv4: Broadcast Address such as <i>192.0.2.1</i> • IPv6: Multicast Address such as <i>2001:db8::</i>
Search Time	Specify a time period for searching a scanner.
Community Name	Enter the SNMPv1/v2 community name. The default community name is "public."

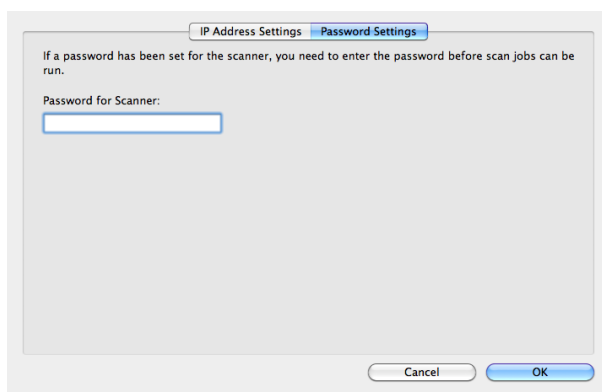
Password Settings

In the **Password Settings** tab, you can input the password that is set for your scanner to access from your computer to the printer.

For Windows®:



For OS X:






Password for Scanner

Enter the password.

Changing the Default Scan Setting

NOTE:

- You can set the same setting using Dell Printer Configuration Web Tool. See "Dell™ Printer Configuration Web Tool."

- 1 Press the  (**Information**) button.
- 2 Tap the Tools tab → Default Settings → Scan Defaults.
- 3 Select the desired menu item.
If the desired menu item is not displayed, tap  or  to scroll through the screen.
- 4 Select the desired setting or enter the value, and then tap OK.
- 5 Repeat steps 3 and 4 as needed.

Faxing

NOTE:

- If the Functions Control setting is set to On (Password), you need to enter the four-digit password to use the function. If the Functions Control setting is set to OFF, the function is disabled and the menu is grayed out. See "Functions Control."

Initial Settings

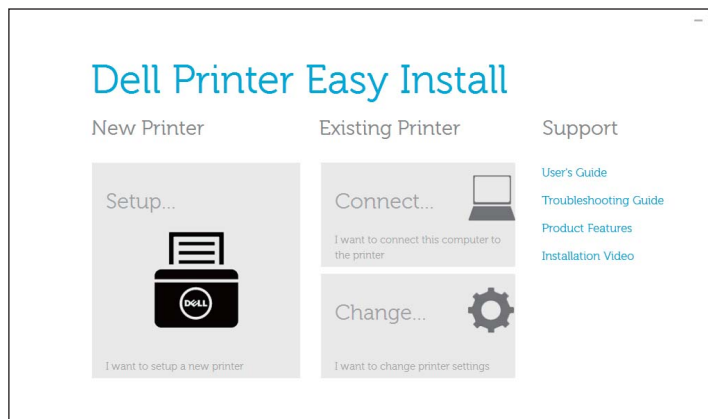
To use the fax function, you need to perform the initial settings.

If you have already performed the initial settings for fax when you first turned on the printer, you can skip this procedure. See "Setting Initial Settings on the Operator Panel."

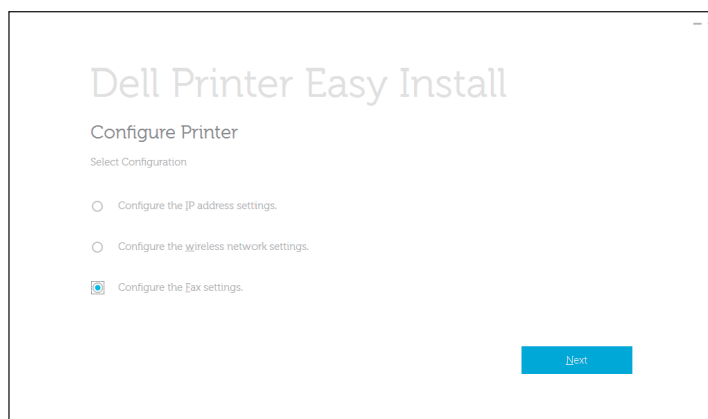
If you have not performed the initial settings for fax, you can perform initial settings using Dell Printer Easy Install or the operator panel.

Specifying the Fax Initial Settings Using Dell Printer Easy Install

- 1 Insert the *Software and Documentation* disc into your computer.
- 2 Click **Main Menu**.
- 3 Click **Change**.



- 4 Click **Configure the Fax settings** → **Next**.




- 5 Follow the on-screen instruction.

Specifying the Fax Initial Settings Using the Operator Panel



To set the fax settings manually from the operator panel, set the following menus.

NOTE:

- You can set the same setting using Dell Printer Configuration Web Tool. See "Dell™ Printer Configuration Web Tool."
- If Panel Lock Control is set to Enable, enter the password when entering Admin Settings. See "Panel Lock."
- Fax Number, Country, Fax Header Name, and Line Type:
From the  (**Information**) button → Tools tab → Admin Settings → Fax Settings → Fax Line Settings


If you use DRPD option, you can set DRPD Pattern here.

NOTE:

- When you configure the country setting, the settings relevant to it is initialized.
- Receive Mode:
From the  (**Information**) button → Tools tab → Admin Settings → Fax Settings → Incoming Defaults
- Tone / Pulse:
From the  (**Information**) button → Tools tab → Admin Settings → Fax Settings → Transmission Defaults

For details about each menu, see "Fax Settings."

Changing the Fax Settings



- 1 Press the  (**Information**) button.
- 2 Tap the Tools tab → Admin Settings → Fax Settings.
If Panel Lock Control is set to Enable, enter the password. See "Panel Lock."
- 3 Select the desired menu.
- 4 Select the desired setting or specify a value.
To specify a value, tap – or +, or use the number pad or the keyboard.
- 5 Tap OK.
- 6 Repeat steps 3 to 5 as needed.


For available options, see "Fax Settings."

Sending a Fax

You can fax data from the printer. You can also directly fax data transferred from a computer running a Microsoft® Windows® operating system or a Macintosh computer.

Sending a Fax From Memory

- 1 Load the document(s).
See "Loading Documents."
- 2 Press the  (**Home**) button.
- 3 Tap  → Fax.

4 Tap , and then check and change the fax settings.

See "Fax Settings."

To return to the previous screen, tap **Back**.

5 Enter or select a fax number by performing either of the following:

- If you want to enter a fax number directly:
 - a Tap the **Enter Number** text box.
 - b Enter the number using the keyboard.
 - c Tap **Done**.
 - If you want to select from the phone book:
 - a Tap **Phone Book**.
 - Tap **Individuals** to select an individual fax number.
 - Tap **Groups** to select a group dial number.
 - Tap **Network Phone Book** to search and select a fax number from the LDAP server.
- See "Sending a Fax Using the Fax Server Phone Book."

b Tap **Done**.

 **NOTE:**

- For details about address book and server address book, see "Using the Address Book and Phone Book."
- For details about **Network Phone Book**, see "Using the Server Address Book and Server Phone Book."
- The fax number needs to be registered before you can select **Address Book**.
- If you want to select from the speed dial:
 - a Tap **Speed Dial**.
 - b Enter the speed dial number using the number pad.
 - c Tap **Done**.

You can add more fax numbers by tapping **+**.

6 Tap **Send**.

 **NOTE:**

- To cancel the fax job, tap **Stop** at any time while sending the fax.

When the document is loaded on the document glass, the screen prompts you for another page.

- If you want to place a new document, replace the document with a new document, and then tap **Continue**.
- When you have finished loading documents, tap **Done**.

The printer starts dialing the number, and then sends the fax when the remote fax machine is ready.


Sending a Fax Manually

1 Load the document(s).

See "Loading Documents."

2 Press the  (**Home**) button.

3 Tap  → **Fax**.

4 Tap , and then check and change the fax settings.

See "Fax Settings."

5 Tap On **Hook**.

6 Enter the fax number of the recipient using the number pad.

You can also select the recipient by using speed dial number or address book. See "Automatic Dialing."

7 Tap **Send**.

 **NOTE:**

- To cancel the fax job, tap **Stop** at any time while sending the fax.

When the document is loaded on the document glass, the screen prompts you for another page.

- If you want to place a new document, replace the document with a new document, and then tap **Continue**.
- When you have finished loading documents, tap **Done**.

Confirming Transmissions

When the last page of your document has been sent successfully, the printer beeps and returns to the standby mode.

If something goes wrong while sending your fax, an error message appears on the touch panel.

If you receive an error message, tap **Close** to clear the message and send the document again.

You can set the printer to print a confirmation report after each fax transmission. See "Fax Transmit."

Automatic Redialing

If the number you have dialed is busy or there is no answer when you send a fax, the printer redials the number every minute based on the number set in the redial settings.

For details about how to change the time interval between redials and the number of redial attempts, see "Fax Settings."

 **NOTE:**

- The printer does not redial a number when you send a fax manually.

Sending a Delayed Fax

The delayed start mode can be used to save scanned data for transmission at a specified time to take advantage of lower long distance rates.

Once delayed start mode is activated, the printer stores all of the documents to be faxed into its memory and sends them at the specified time.


After faxing in the delayed start mode is complete, the data in the memory is cleared.

1 Load the document(s).

See "Loading Documents."

2 Press the  (**Home**) button.

3 Tap  → **Fax**.

4 Tap , and then check and change the fax settings.

See "Fax Settings."

5 In the Fax Settings screen, tap Delayed Send.

6 Select the On check box.

7 Specify the start time by tapping – or +, and then tap OK.

8 Tap Back.

9 Enter the fax number of the recipient using the number pad.

You can also select the recipient using speed dial number or address book. See "Automatic Redialing."

10 Tap Send.

When the document is loaded on the document glass, the screen prompts you for another page.

- If you want to place a new document, replace the document with a new document, and then tap Continue.
- When you have finished loading documents, tap Done.

Scanning starts and the data is stored in the memory to be sent at the specified time.

 **NOTE:**

- If you restart the printer, the stored documents are sent as soon as the printer is activated.
- If the specified start time overlaps with the time periods for the available time or the fax function, the printer cannot send the delayed fax at the specified time. For details about the available time and the fax function, see "Set Available Time" and "Functions Control."

Sending a Fax Directly From a Computer

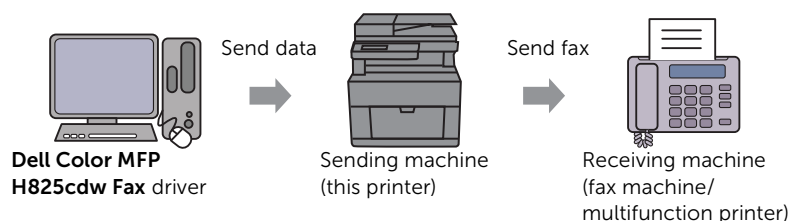
You can send a fax directly from your computer using the driver.

 **NOTE:**

- Only black and white faxes can be sent using Direct Fax.
- If the specified start time overlaps with the time periods for the available time or the fax function, the printer cannot send the delayed fax at the specified time. For details about the available time and the fax function, see "Set Available Time" and "Functions Control."

Overview

The following images use Dell H825cdw as examples.



Procedure

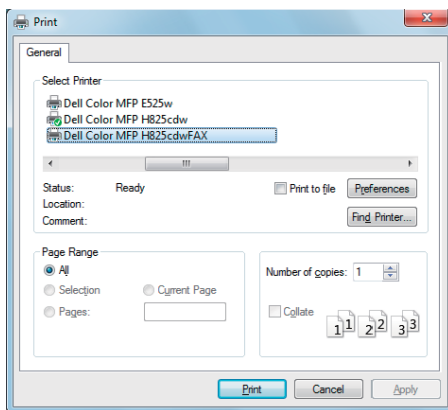
NOTE:

- The names of the dialog boxes and the buttons may be different from those given in the following procedure depending on the program you are using.
- To use this feature, you must install the fax driver. For Windows®, see "Installing the Software for Windows® Computers." For OS X, see "Installing the Software and Print Drivers."

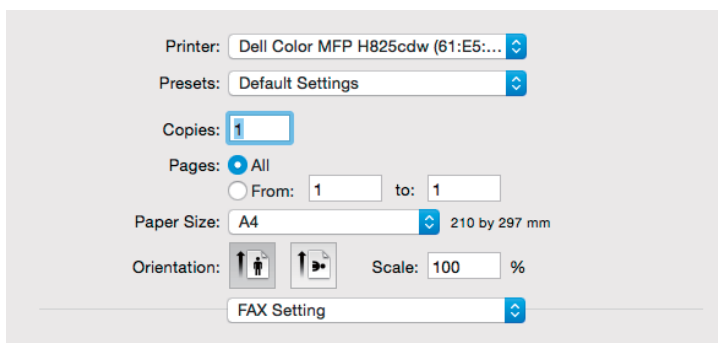
The following procedure uses Dell H825cdw as an example.

- 1 Open the file you want to fax.
- 2 Open the print dialog box from the program.
- 3 Select **Dell Color MFP H825cdw Fax** → **Preferences** for Windows® or **FAX Setting** for OS X.

For Windows®:



For OS X:

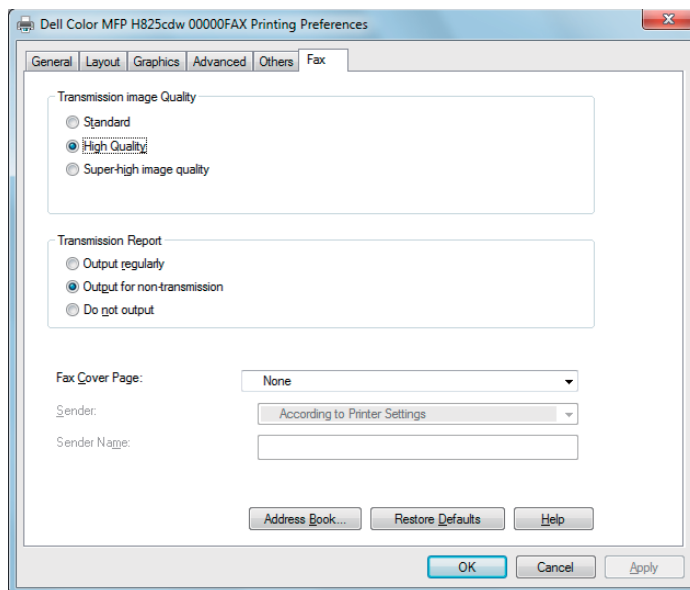


- 4 Specify the following settings.

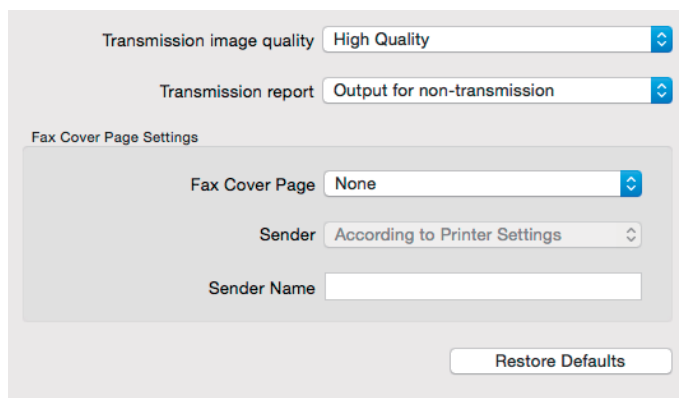
NOTE:

- The settings made here are only applied to a single fax job.

For Windows®:



For OS X:



Transmission image quality

Select the output quality.

- **Standard:** For documents with normal sized characters.
- **High Quality:** For documents containing small characters or thin lines or documents printed using a dot-matrix printer.
- **Super-high image quality:** For documents containing extremely fine detail. The super fine mode is enabled only if the remote machine also supports Super Fine resolution.

NOTE:

- Faxes printed in the Super-high image quality by Direct Fax driver transmits at the highest resolution supported by the receiving device.

Transmission report

Specify whether to print a fax transmission result.

- **Output regularly:** Prints a transmission result after every fax transmission.
- **Output for non-transmission:** Prints a transmission result only when an error occurs.
- **Do not output:** Does not print fax transmission results.

Fax Cover Page	Specify whether to attach a cover page to your fax. <ul style="list-style-type: none"> • According to Printer Settings: Determines whether to attach a cover page to your fax in accordance with the setting you specify in Fax Cover Page on the operator panel. • Attach: Attaches a cover page to your fax. • None: Does not attach a cover page to your fax.
Sender	Specify whether to print the sender's name on the fax cover page. <ul style="list-style-type: none"> • According to Printer Settings: Determines whether or not to print the sender's name on the fax cover page based on the printer settings. • Enter a sender name: Allows you to enter a sender's name to be printed on the fax cover page in Sender Name.
Sender Name	Enter a sender's name to be printed on the fax cover page. The sender's name can be up to 30 characters. If it exceeds 30 characters, only the first 30 characters are printed.

5 Perform either of the following:

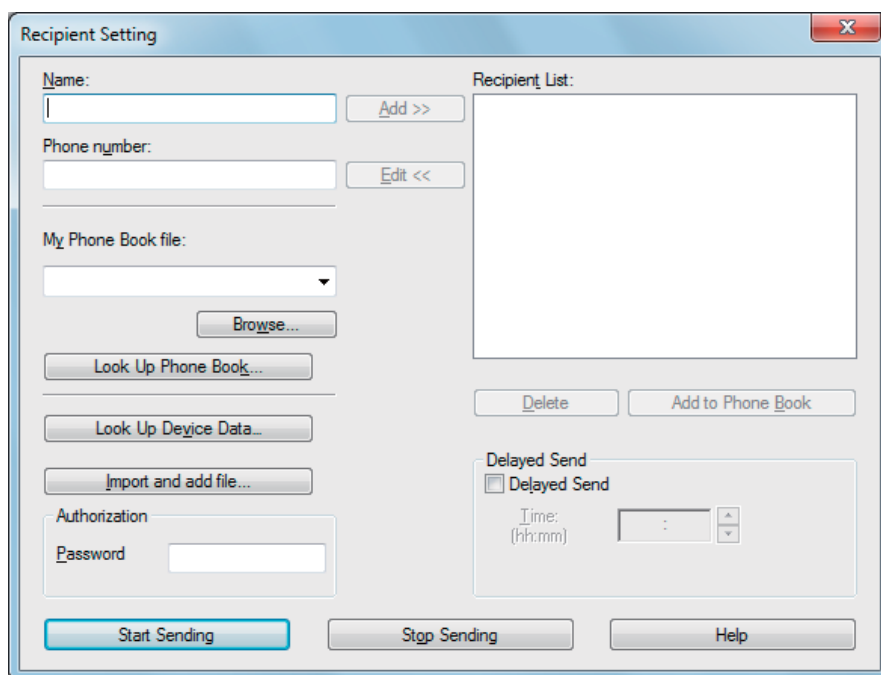
- For Windows®: Click **OK** to close the **Printing Preferences** dialog box, and then click **Print**.
- For OS X: Click **Print**.

The **Recipient Setting** dialog box for Windows® or the **Set/Check Fax Transmission** dialog box for OS X appears.

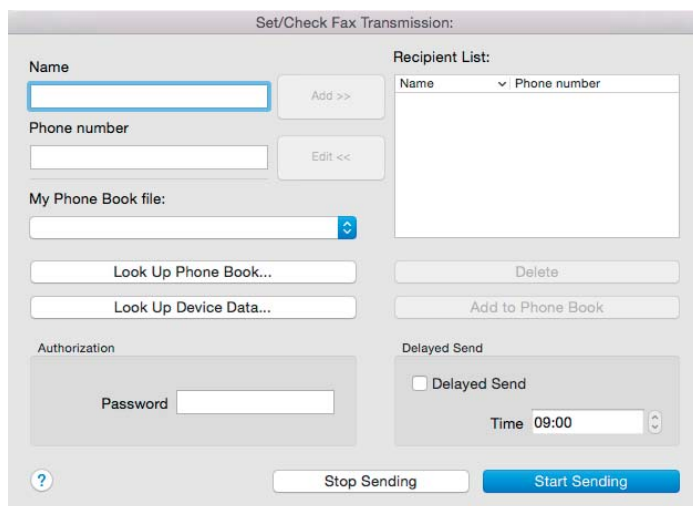
6 Enter the destination for the recipient by performing the following.

For details about how to enter the destination, refer to the Help of the driver.

For Windows®:




For OS X:



- Enter the name and fax number directly.
- Select a fax number from a phone book:

Look Up Phone Book	Select from a list of fax numbers saved in the file specified for My Phone Book file .
Look Up Device Data	Select from a list of fax numbers saved in the phone book on the printer.
Import and add file (Windows® only)	Select a source file such as a CSV file, WAB file, MAPI, or a LDAP server. See "LDAP Server" and "Fax Server Phone Book."

 **NOTE:**

- When you are using Mac OS X 10.7 or later, you cannot use **Look Up Device Data** feature on some programs.
- Enter the password in the **Password** text box in the **Authorization** area before sending a fax if the fax function is locked with a password.
- If the Functions Control setting is set to On (Password), you need to enter the four-digit password to use the function.


7 Click **Start Sending**.


Automatic Dialing

Speed Dialing

You can store up to 200 frequently dialed numbers in speed dial locations (001–200). When the speed dial job specified in the delayed fax or redial exists, you cannot change the speed dial number from the operator panel or Dell Printer Configuration Web Tool.


Setting Speed Dial

- 1 Press the  (**Information**) button.
- 2 Tap the **Tools** tab → **Admin Settings** → **Phone Book** → **Individuals**.
If **Panel Lock Control** is set to **Enable**, enter the password. See "Panel Lock."
- 3 Select the desired speed dial number.

If the desired speed dial number is not displayed, tap  or  to scroll through the screen.




To jump to a specific speed dial number, enter the desired number and then # using the number pad.

If a speed dial number is already set, the screen shows the name and the number of entries.



- 4 Tap the `Enter Name` text box.
- 5 Enter the name, and then tap `OK`.
- 6 Tap the `Enter Number` text box.
- 7 Enter the fax number using the number pad, and then tap `OK`.
To insert a pause between numbers, press the  (**Redial/Pause**) button.
"- " appears on the touch panel.
- 8 Tap `OK`.
- 9 Repeat steps 3 to 8 as needed.

Editing Speed Dial

You can edit or delete a speed dial number.

- 1 Press the  (**Information**) button.
- 2 Tap the `Tools` tab → `Admin Settings` → `Phone Book` → `Individuals`.
If `Panel Lock Control` is set to `Enable`, enter the password. See "Panel Lock."
- 3 Select the desired speed dial number.
If the desired speed dial number is not displayed, tap  or  to scroll through the screen.
- 4 Perform the following:
 - To edit a speed dial number:
 - a Tap `Edit` → the `Name or Fax Number` text box.
 - b Enter a new name or a fax number, and then tap `OK`.
 - To delete a speed dial number:
Tap `Remove` → `Delete`.
- 5 Repeat steps 3 to 4 as needed.


Sending a Fax Using Speed Dial

- 1 Load the document(s).
See "Loading Documents."
- 2 Press the  (**Home**) button.
- 3 Tap  → `Fax` → `Speed Dial`.

4 Enter the speed dial number using the number pad, and then tap **Done**.

 **NOTE:**

- Using the asterisk (*) in the first digit, you can send a document to multiple locations. For example, if you enter 00*, you can send a document to the locations registered between 001 and 009.

5 Tap , and then check and change the fax settings.

See "Fax Settings."

6 Tap **Send**.

When the document is loaded on the document glass, the screen prompts you for another page.

- If you want to scan another document, replace the document with a new document, and then tap **Continue**.
- When you have finished loading documents, tap **Done**.

The fax number stored in the speed dial location is dialed. The document is sent when the remote fax machine answers.

Group Dialing

If you frequently send a document to several destinations, you can create a group of these destinations and set them under a one-digit group dial location. This enables you to use a group dial number setting to send the same document to all the destinations in the group.

 **NOTE:**

- You cannot include one group dial number within another group dial number.



Setting Group Dial

1 Press the  (**Information**) button.

2 Tap the **Tools** tab → **Admin Settings** → **Phone Book** → **Groups**.

If **Panel Lock Control** is set to **Enable**, enter the password. See "Panel Lock."

3 Select the desired group dial number.

If the desired group dial number is not displayed, tap  or  to scroll through the screen.

If a group dial number is already set, the screen shows the name and the number of entries stored in that group dial number.

4 Tap the **Enter Group Name** text box.



5 Enter the name, and then tap **OK**.

6 Tap **Add from Phone Book**.

 **NOTE:**

- The fax number needs to be registered before you can select **Add from Phone Book**.




7 Select the desired speed dial number.

If the desired speed dial number is not displayed, tap  or  to scroll through the screen.

- 8 Tap OK.
- 9 Repeat steps 3 to 8 as needed.

Editing Group Dial

You can delete a specific speed dial number from a selected group or add a new number to the selected group.

- 1 Press the  (**Information**) button.
- 2 Tap the **Tools** tab → **Admin Settings** → **Phone Book** → **Groups**.
If **Panel Lock Control** is set to **Enable**, enter the password. See "Panel Lock."
- 3 Select the desired group dial number.
If the desired group dial number is not displayed, tap  or  to scroll through the screen.
- 4 Perform the following:
 - To edit a speed dial number:
 - a Tap **Edit** → **Enter Group Name** text box.
 - b Enter a new name, and then tap **OK**.
 - To delete a speed dial number from the group dial number:
Tap **Remove**.
- 5 Repeat steps 3 to 4 as needed.

Sending a Fax Using Group Dial (Multi-address Transmission)

You can use group dialing for Broadcasting or Delayed transmissions.

Follow the procedure of the desired operation. See "Delayed Send."

You can use one or more group numbers in one operation. Then continue the procedure to complete the desired operation.

The printer scans the document loaded in the Duplex Automatic Document Feeder (DADF) or on the document glass into the memory. The printer dials each of the numbers included in the group.



Printing a Speed Dial List

You can check your automatic dial setting by printing a Speed Dial list.

See "Report / List."

Phone Book

You can select or search the registered phone numbers from the phone books.

- 1 Load the document(s).
See "Loading Documents."
- 2 Press the  (**Home**) button.
- 3 Tap  → **Fax** → **Phone Book**.
- 4 Specify the recipient by performing either of the following:
 - If you want to select from the local phone book:

- a Tap `Individuals` or `Groups`.
- b Select the desired speed dial number or the group dial number.
If the desired number is not displayed, swipe the screen.
- c Tap `Done`.
- If you want to search from the server phone book:
 - a Tap `Network Phone Book`.
 - b Enter a keyword using the keyboard, and then tap `Search`.
 - c Tap a recipient from the search result → `Done`.

 **NOTE:**

- For details about address book and server address book, see "Using the Address Book and Phone Book."
- For details about `Network Phone Book`, see "Using the Server Address Book and Server Phone Book."
- A fax number needs to be registered before you can select an address book.

5 Tap `Send`.

When the document is loaded on the document glass, the screen prompts you for another page.

- If you want to place a new document, replace the document with a new document, and then tap `Continue`.
- When you have finished loading documents, tap `Done`.

Receiving a Fax

 **NOTE:**

- To use the `Telephone / Fax or Ans Machine/Fax` mode, connect an answering machine to the phone connector on the rear of the printer. See "Connecting a Telephone or Answering Machine."

When the memory is full, the fax is received in the `Telephone` mode.

Loading Paper for Receiving Faxes

The instructions for loading paper in the paper tray are the same whether you are printing, faxing, or copying, except that faxes can only be printed on Letter-sized, A4-sized, or Legal-sized paper. See "Loading Print Media" and "Print Media Guidelines."

Receiving a Fax Automatically

To automatically receive a fax, use the `Fax, Telephone / Fax, or Ans Machine/Fax` mode. The default setting is `Fax` mode. See "Receive Mode."

 **NOTE:**

- To use the `Telephone / Fax or Ans Machine/Fax` mode, you must connect an external telephone to the phone connector on the rear of the printer. See "Connecting a Telephone or Answering Machine."

Receiving a Fax Manually

When in the `Telephone` or `Telephone / Fax` mode, you can receive the fax manually. See "Receive Mode."

Using Remote Receive

Use Remote Receive to manually receive a fax from an external telephone without having to go to the printer.

To manually receive a fax using the external telephone, you must connect an external telephone to the phone connector on the rear of the printer and also set `Remote Receive` to `On`. See "Connecting a Telephone or Answering Machine."



When you receive a call on the external telephone and hear a fax tone, enter the remote receive code from the external telephone.

NOTE:

- When entering the remote receive code from the external telephone, press the number keys slowly in sequence. If you still hear the fax tone from the remote machine, try entering the two-digit code again.
- The default remote receive code is 00. You can change the two-digit code to a number of your choice. See "Receive Mode."
- Set the dialing system of your external telephone to DTMF.

Using Manual Receive in On Hook

You can manually receive a fax by tapping `Receive in On Hook` on the touch panel.

- 1 When the external telephone rings, pick up the handset.
- 2 Make sure that you hear the fax tone, and then press the  (**Home**) button.
- 3 Tap  → `Fax` → `On Hook` → `Receive` → `Receive`.
- 4 Hang up the hand set of the external telephone.

The printer begins receiving a fax and returns to the standby mode when the reception is completed.



Receiving Faxes Using the Distinctive Ring Pattern Detection (DRPD)

The `DRPD` is a telephone company service which enables a user to use a single telephone line to answer several different telephone numbers. The particular number someone uses to call you on is identified by different ringing patterns, which consist of various combinations of long and short ringing sounds.

Before using the Distinctive Ring Pattern Detection option, Distinctive Ring service must be installed on your telephone line by the telephone company. To set up Distinctive Ring Pattern Detection, you need another telephone line at your location, or someone available to dial your fax number from outside.

To set up the `DRPD`:

NOTE:

- You can set the same setting using the Tool Box or Dell Printer Configuration Web Tool. See "Tool Box" or "Dell™ Printer Configuration Web Tool."
- 1 Press the  (**Information**) button.
 - 2 Tap the `Tools` tab → `Admin Settings` → `Fax Settings` → `Fax Line Settings`.
If `Panel Lock Control` is set to `Enable`, enter the password. See "Panel Lock."
 - 3 Tap  until `DRPD Pattern` appears, and then tap `DRPD Pattern`.

4 Select the desired pattern, and then tap OK.

 **NOTE:**

- The printer provides seven DRPD patterns. If this service is available from your telephone company, ask your telephone company which pattern you need to select to use this service.

5 Turn off the printer, and then turn it on again to apply the settings.

To receive faxes in the DRPD, you need to set the menu to DRPD. See "Receive Mode."

Receiving Faxes in the Secure Receiving Mode

You may need to prevent your received faxes from being accessed by unauthorized people. To restrict printing out all of the received faxes when the printer is unattended, turn on the secure fax mode using the *Secure Receive* option. In the secure fax mode, all incoming faxes are stored in memory. When the mode is turned off, all stored faxes are printed.

 **NOTE:**

- To turn on the secure fax mode, *Panel Lock Control* must be set to *Enable*.

To turn the secure receiving mode on:

 **NOTE:**

- You can set the same setting using Dell Printer Configuration Web Tool. See "Dell™ Printer Configuration Web Tool."

1 Press the  (**Information**) button.

2 Tap the *Tools* tab → *Admin Settings* → *Fax Settings* → *Incoming Defaults*.

If *Panel Lock Control* is set to *Enable*, enter the password. See "Panel Lock."

3 Tap  until *Secure Receive* appears, and then tap *Secure Receive*.

4 Tap *Secure Receive Set* → *Enable*.

5 Enter a four-digit password, and then tap OK.

When a fax is received in the secure receiving mode, the printer stores it into memory and *Secure Fax Receive* is enabled on the *Print* screen to let you know that there is a fax stored.

To print received documents:

1 Press the  (**Home**) button.

2 Tap  → *Print*.

3 Swipe the screen until *Secure Fax Receive* appears, and then tap *Secure Fax Receive*.

4 Enter a four-digit password, and then tap OK.

The faxes stored in memory are printed.

To turn the secure receiving mode off:

1 Follow the same steps 1 to 3 in "To turn the secure receiving mode on:."



2 Tap *Secure Receive Set* → *Disable*.

Receiving Faxes in the Memory

Since the printer is a multi-tasking device, it can receive faxes while you are making copies or printing. If you receive a fax while you are copying, printing, or run out of paper or toner, the printer stores incoming faxes in the memory. And then, as soon as you finish copying, printing, or re-supply the consumables, the printer starts printing the fax.

Polling Receive

You can receive faxes from the remote fax machine when you want to receive it.

- 1 Press the  (**Home**) button.
- 2 Tap  → Fax → On Hook → Polling.
- 3 Enter the fax number of the remote machine using the number pad.
- 4 Tap Receive.

Reports Related to Fax

The following reports may be useful when using fax:

NOTE:




- For details about other reports and how to print a report, see "Report / List."

Speed Dial	This list shows all the numbers currently stored in the memory of the printer as speed dial numbers.
Address Book	This list shows all the addresses currently stored in the printer's memory as address book information.
Server Address	This list shows all of the numbers currently stored in the printer's memory as Server Address information.
Fax Activity	This report shows information about the faxes you recently received or sent.
Fax Pending	This list shows the status of pending faxes. You may print this list to check your changes after changing any settings.
Print Meter	This report shows the total number of pages printed. The report is titled as Print Volume Report or ColorTrack Report , depending on the <code>ColorTrack Mode</code> setting.

Changing the Default Fax Setting

NOTE:

- You can set the same setting using the Tool Box or Dell Printer Configuration Web Tool. See "Tool Box" or "Dell™ Printer Configuration Web Tool."

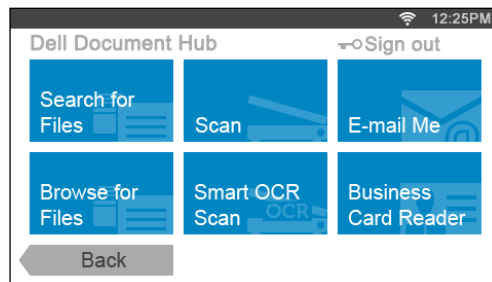
- 1 Press the  (**Information**) button.
- 2 Tap the Tools tab → Default Settings → Fax Defaults.
- 3 Select the desired menu item.
If the desired menu item is not displayed, tap  or  to scroll through the screen.
- 4 Select the desired setting or enter the value, and then tap OK.
- 5 Repeat steps 3 and 4 as needed.

Dell Document Hub

Dell Document Hub is a convenient one-stop gateway to a variety of cloud services to help you manage your documents. With Dell Document Hub, you can convert hard copy documents into editable digital content and store them directly in your preferred cloud storage service. You can search for files across multiple clouds simultaneously and then share and print content easily.

NOTE:

- Dell Document Hub is available on Dell H625cdw and Dell H825cdw.



Registering the User and Signing In to Dell Document Hub

To use Dell Document Hub, you need a user account registered to the printer, and sign in to Dell Document Hub.

Registering a New User to Dell Document Hub

Prepare the access information required for each of the cloud services you want to use, and then make sure that you have a user account registered to the printer. See "Creating a New User Account."

To Register a New User From a Computer

- 1 Access the Dell Document Hub website from your computer by entering the following URL in the web browser:
www.dell.com/dochub
- 2 Follow the on-screen instruction.
An e-mail is sent to the registered e-mail address.
- 3 Check the e-mail and follow the instructions on the e-mail to activate.

To Register a New User From the Printer

You can start the user registration alternatively using the printer.

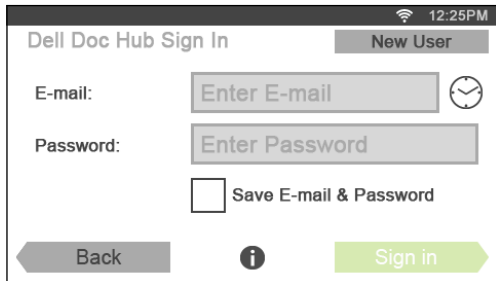
NOTE:

- To complete the registration process, you need a computer or mobile device to receive an e-mail and access the Dell Document Hub website.
- 1 Log in to the printer as a registered user.
 - 2 In the Home screen, tap **Dell Document Hub** → **New User** → **Next**.

3 Follow the on-screen instruction.


Signing In to Dell Document Hub

- 1 Log in to the printer as a registered user.
- 2 In the Home screen, tap Dell Document Hub.



3 Tap the E-mail text box, and then enter the e-mail address.

NOTE:

- You can also tap  to select a recently entered e-mail address from a list. The list can contain up to eight recently entered e-mail addresses.

4 Tap the Password text box, enter the password, and then tap Done.

If you want to save your e-mail address and password, select the Save E-mail & Password check box.

NOTE:

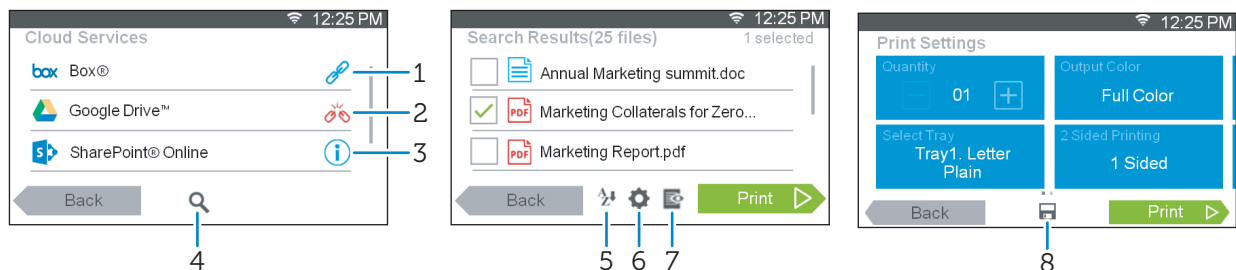
- The e-mail address and password are stored in the printer under your user account of the printer. For security purpose, it is recommended that you protect your user account of the printer with a password. If your user account is not protected with a password, unauthorized users may login to your user account of the printer, and then access your documents in the cloud services through Dell Document Hub.


5 Tap Sign in.








NOTE:

- If all the tiles on the Dell Document Hub screen are pale and disabled when you sign in, you have not completed the necessary procedures to activate your account of Dell Document Hub. Check the e-mail you received from Dell Document Hub, and then activate your account.

Icons for the Dell Document Hub Screens



- 1  Indicates that the cloud service is correctly associated with Dell Document Hub. Tap to display more information.

2		Indicates that the cloud service is not associated, or not linked correctly. Visit www.dell.com/dochub to link it again. Tap to display more information.
3		Indicates that the cloud service link with Dell Document Hub has expired. Visit www.dell.com/dochub to link it again. Tap to display more information.
4		Tap to search for files in the current folder and subfolders (if any) from the selected cloud service. This is displayed when you select <i>Scan</i> or <i>Smart OCR Scan</i> .
5		Tap to sort the results in ascending, descending, or by cloud services order.
6		Tap to change print, scan or e-mail settings.
7		Tap to preview the selected files, up to the first three pages of each file.
8		Tap to save print, scan, e-mail settings or folder as Favorite.


When the Favorite List Screen Is Displayed When You Tap the Tile on the Dell Document Hub Screen

This means that your favorite settings for functions have been saved on the printer. Select the desired setting from the list, or tap *Skip* to continue the procedure.


Returning to the Home Screen

Tap *Back* or press the  (**Home**) button.

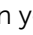
NOTE:

- When you return to the *Home* screen by tapping *Back* or by pressing the  (**Home**) button, sign-in status is maintained. Next time you tap *Dell Document Hub* on the *Home* screen, you do not have to sign in while you are logged in to the *Home* screen.
- You can tap *Sign out* as well to return to the *Home* screen, but the sign-in status is not maintained. Next time you sign in to *Dell Document Hub*, you need to re-enter your e-mail address and password.

Logging Out From the Printer

Press the  (**Log In/Out**) button to log out from the *Home* screen and to display the portal screen.

NOTE:

- When you log out using the  (**Log In/Out**) button, the sign-in status to *Dell Document Hub* is maintained as far as the *Save E-mail & Password* check box is selected in the step 4 in "Signing In to *Dell Document Hub*." Next time you tap *Dell Document Hub* on the *Home* screen, you can skip the sign in process.

Searching for and Printing Files

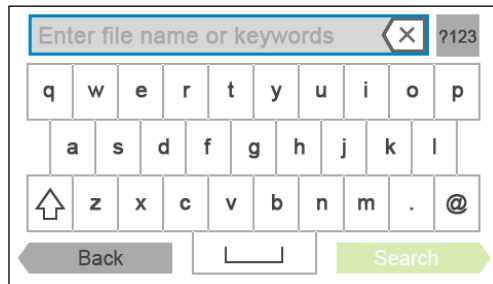
You can search for the files saved in the cloud services, and print them from the printer. You can search across multiple cloud services at once. This method is suitable when you want to search by the keywords, including the file name.

NOTE:

- To search for files across multiple cloud services, visit www.dell.com/dochub and connect the cloud services with *Dell Document Hub*.

1 In the *Dell Document Hub* screen, tap *Search for Files*.


2 Enter the keywords, and then tap Search.



Files are searched across multiple cloud services you registered.

3 Tap the files you want to print.


 **NOTE:**

- If the desired file is not displayed, swipe the screen.
- You can select up to 10 files.
- You can sort the results by tapping  and selecting the sorting order.

4 Tap , and then preview the selected files.

The first three pages of each file are displayed in the small previews of the File Preview screen.

- To show the page in the large preview, tap the page in the small previews.
- To preview other files, flick the screen side to side.
- To specify the file as the one to be printed, select the check box at the upper-left corner beside the small previews.
- To return to the previous screen, tap Back.

5 Tap , and then check and change the print settings.

See "Print Settings."

6 Tap Print.

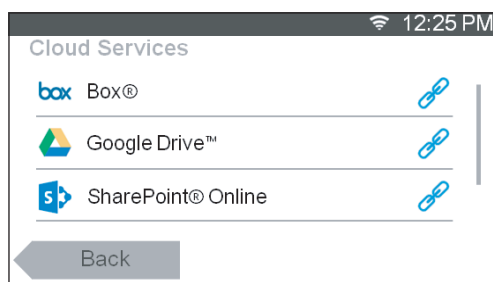
 **NOTE:**

- To cancel printing, tap Stop.
- You can start printing by tapping Print in any screens of Search Results, File Preview or Print Settings.

Browsing and Printing Files

You can browse and print the files saved in the selected cloud services. This method is suitable when you know which cloud service the file you want to print is located in.

1 In the Dell Document Hub screen, tap Browse for Files.



To link the cloud service with Dell Document Hub, visit www.dell.com/dochub.

2 Tap the cloud service you want to browse in.

 **NOTE:**

- If the desired cloud service is not displayed, swipe the screen.

3 Select the file you want to print by performing either of the following:

- Tap the location you want to browse in and the file you want to print.


 **NOTE:**

- If the desired location is not displayed, swipe the screen.
- Search the files in the selected cloud service.

a Tap .

b Enter the file name or keywords, and then tap *Search*.

 **NOTE:**

- You can sort the results by tapping  and selecting the sorting order.
- c Tap *Back* to return to the previous screen.

 **NOTE:**

- You can select up to 10 files.

4 Tap , and then preview the selected files.



 **NOTE:**

- On the *File Preview* screen, the first three pages of each file are displayed.
- To show the page in the large preview, tap the page in the small previews.
- To preview other files, flick the screen side to side.
- To specify the file as the one to be printed, select the check box at the upper-left corner beside the small previews.
- To return to the previous screen, tap *Back*.

5 Tap , and then check and change the print settings.

See "Print Settings."

 **NOTE:**

- You can save your print settings and file path to the cloud service as a favorite.
 - 1 Tap  in the *Print Settings* screen.
 - 2 Name your favorite in the *Save Favorite* screen, and then tap *Save*.
- If you choose a name for a favorite that is the same as an existing favorite, the settings and the file path will be overwritten.
- You can delete an unnecessary favorite by tapping .
- Once you save your settings as a favorite, you can recall those settings the next time you sign in to Dell Document Hub from any printer of the same model.

6 Tap *Print*.

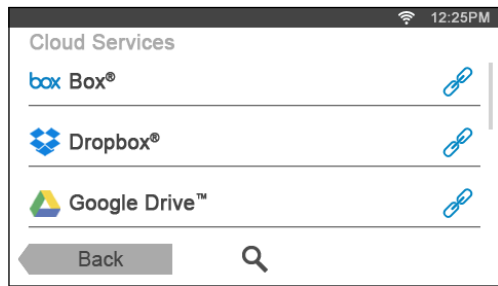
 **NOTE:**

- To cancel printing, tap *Stop*.
- You can start printing by tapping *Print* in any screens of contents list, *Search Results*, *File Preview*, or *Print Settings*.

Scanning

You can scan the document and save the scanned data in the cloud service.

1 In the **Dell Document Hub** screen, tap **Scan**.



2 Select the destination you want to save the scanned data to by performing either of the following:

- Tap a cloud service you want to save the scanned data to, and then perform either of the following:
 - Tap the location you want to save the scanned data to.

 **NOTE:**


- If the location is not displayed, swipe the screen.

- Search the files in the selected cloud service.

a Tap .

b Enter the file name or keywords, and then tap **Search**.

 **NOTE:**

- You can sort the results by tapping  and selecting the sorting order.

c Tap **Back** to return to the previous screen.

- Search the files across multiple cloud services.

a Tap .

b Enter the file name or keywords, and then tap **Search**.

 **NOTE:**

- You can sort the results by tapping  and selecting the sorting order.

c Tap **Back** to return to the previous screen.

3 Tap **Next**.



4 Tap the **File Name** text box, and then enter the file name.

5 Tap the **File Format** box, and then select a file format.

6 Tap , and then check and change the scan settings.

See "Scan Settings."

 **NOTE:**

- You can save your print settings and file path to the cloud service as a favorite.
 - 1 Tap  in the **Scan Settings** screen.
 - 2 Name your favorite in the **Save Favorite** screen, and then tap **Save**.
- If you choose a name for a favorite that is the same as an existing favorite, the settings and the file path will be overwritten.
- You can delete an unnecessary favorite by tapping .
- Once you save your settings as a favorite, you can recall those settings the next time you sign in to Dell Document Hub from any printer of the same model.

7 Tap Scan.

NOTE:

- To cancel scanning, tap *Stop*.

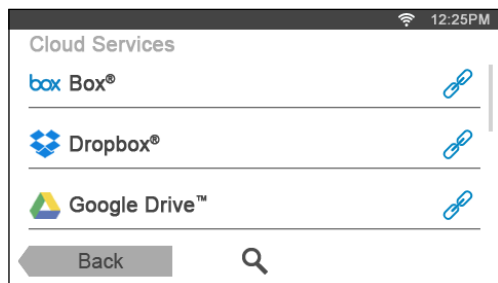
When the document is loaded on the document glass, the screen prompts you for another page.

- If you want to scan another document, replace the document with a new document, and then tap *Continue*.
- When you have finished loading documents, tap *Done*.

Scanning the Document Using Optical Character Recognition (OCR)

You can scan the document using OCR, and save it in the cloud service.

1 In the *Dell Document Hub* screen, tap *Smart OCR Scan*.



2 Select the destination you want to save the converted file to by performing either of the following:

- Tap a cloud service you want to save the converted file to, and then perform either of the following:
 - Tap the location you want to save the converted file to.

NOTE:

- If the location is not displayed, swipe the screen.

- Search the files in the selected cloud service.

a Tap .

b Enter the file name or keywords, and then tap *Search*.

NOTE:

- You can sort the results by tapping  and selecting the sorting order.

c Tap *Back* to return to the previous screen.

- Search the files across multiple cloud services.

a Tap .

b Enter the file name or keywords, and then tap *Search*.


NOTE:

- You can sort the results by tapping  and selecting the sorting order.



c Tap *Back* to return to the previous screen.

3 Tap *Next*.

4 Tap the *File Name* text box, and then enter the file name.

- 5 Tap the **File Format** box, and then select a file format.
- 6 Tap , and then check and change the scan settings.
See "Smart OCR Scan" and "Scan Settings."

 **NOTE:**

- You can save your print settings and file path to the cloud service as a favorite.
 - 1 Tap  in the **Scan Settings** screen.
 - 2 Name your favorite in the **Save Favorite** screen, and then tap **Save**.
- If you choose a name for a favorite that is the same as an existing favorite, the settings and the file path will be overwritten.
- You can delete an unnecessary favorite by tapping .
- Once you save your settings as a favorite, you can recall those settings the next time you sign in to Dell Document Hub from any printer of the same model.

- 7 Tap **Scan**.

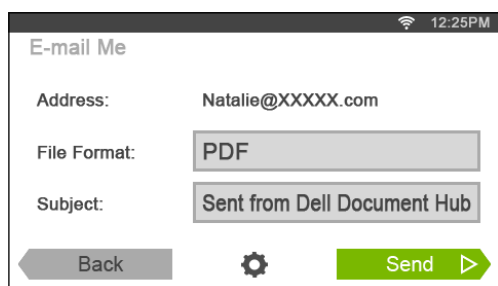
When the document is loaded on the document glass, the screen prompts you for another page.


- If you want to scan another document, replace the document with a new document, and then tap **Continue**.
- When you have finished loading documents, tap **Done**.

Sending the Scanned Data to Yourself via E-Mail



The document can be scanned and sent to you as an attached file of an e-mail.

- 1 In the **Dell Document Hub** screen, tap **E-mail Me**.



- 2 Tap the **File Format** box, and then select a file format.
- 3 Tap the **Subject** text box, and then enter the subject of the mail sent with the scanned data.
- 4 Tap , and then check and change the e-mail settings.
See "E-mail Me" and "Scan Settings."

 **NOTE:**

- You can save your e-mail settings to the cloud service as a favorite.
 - 1 Tap  in the **Scan Settings** screen.
 - 2 Name your favorite in the **Save Favorite** screen, and then tap **Save**.
- If you choose a name for a favorite that is the same as an existing favorite, the settings and the file path will be overwritten.
- You can delete an unnecessary favorite by tapping .
- Once you save your settings as a favorite, you can recall those settings the next time you sign in to Dell Document Hub from any printer of the same model.

- 5 Tap **Send**.

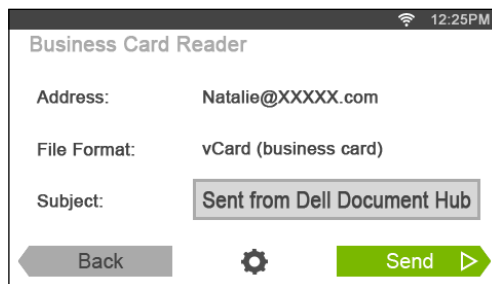
When the document is loaded on the document glass, the screen prompts you for another page.


- If you want to scan another document, replace the document with a new document, and then tap *Continue*.
- When you have finished loading documents, tap *Done*.

Sending a Scanned Data of a Business Card to Yourself via E-Mail

Business cards can be scanned and converted to vCard files, and sent to you as an attached file of an e-mail.

- 1 In the *Dell Document Hub* screen, tap *Business Card Reader*.



- 2 Tap the *Subject* text box, and then enter the subject of the e-mail sent with the vCard file.
- 3 Tap , and then check and change the e-mail settings.
 - a Tap *OCR Language*, and then select a language.
 - b Tap *Back* to return to the previous screen.
- 4 Tap *Send*.

When the document is loaded on the document glass, the screen prompts you for another page.

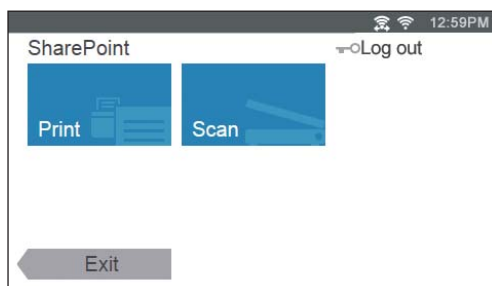
- If you want to scan another document, replace the document with a new document, and then tap *Continue*.
- When you have finished loading documents, tap *Done*.

Printing and Scanning Directly From SharePoint®

You can connect to the SharePoint® server directly from the printer to print the documents from the server or to save the scanned data to the server.

NOTE:

- This feature is available on Dell S2825cdn.
- Only the PDF and the JPEG files can be browsed, printed, and saved with this feature.

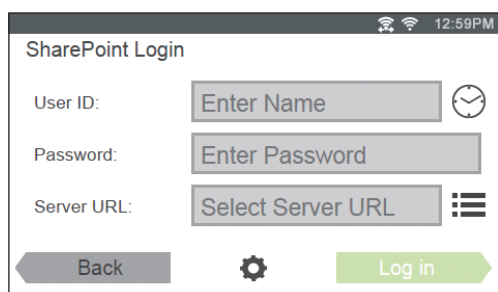



Registering the SharePoint® Server

You can register up to 10 servers.

- 1 Log in to the printer as a registered user using the local authentication.
- 2 In the Home screen, tap SharePoint.

The SharePoint Login screen is displayed.



- 3 Tap .
The Configuration screen is displayed.
- 4 Tap the Enter Server URL box.
- 5 Enter the server URL, tap Done, and then tap +.
To register more SharePoint® server URLs, repeat steps 4 and 5.
- 6 Tap Back.

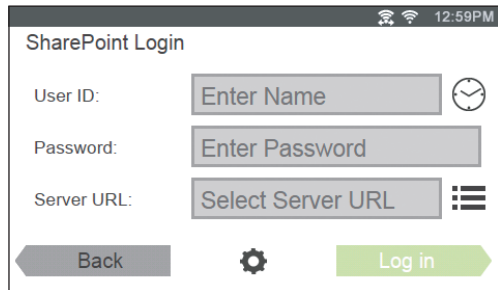
Editing the Server URL List

In the Configuration screen, you can edit the server URL list.

Tap the desired server URL, and tap Remove or Edit.

Signing In to the SharePoint® Server


- 1 Log in to the printer as a registered user using the local authentication.
- 2 In the Home screen, tap **SharePoint**.
The **SharePoint Login** screen is displayed.




- 3 Tap the **User ID** text box, and then enter the user ID.

 **NOTE:**



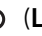
- You can also tap  to select a recently entered user ID from a list. The list can contain up to eight recently entered user IDs.

- 4 Tap the **Password** text box, and then enter the password.
- 5 Tap  to select the desired **SharePoint®** server from the server list.
- 6 Tap **Log in**.

Returning to the Home Screen

Tap **Exit** or press the  (**Home**) button.

 **NOTE:**

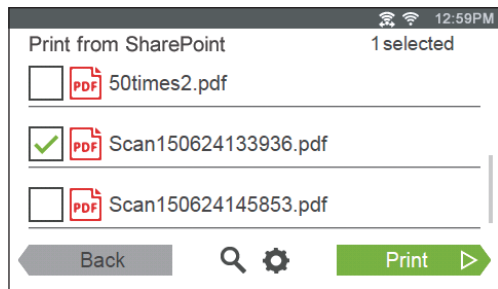
- When you return to the **Home** screen by tapping **Exit** or by pressing the  (**Home**) button, login status is maintained.
Next time you tap **SharePoint** on the **Home** screen, you do not have to log in while you are logged in to the **Home** screen.
- You can tap  **Log out** or  (**Log In/Out**) button as well to return to the **Home** screen, but the login status is not maintained. Next time you tap **SharePoint** on the **Home** screen, you need to log in to the **SharePoint®** server again.

Browsing and Printing Files


You can browse and print the files saved in the selected **SharePoint®** server.

- 1 In the **SharePoint** screen, tap **Print**.


The Print from SharePoint screen is displayed.



2 Select the file you want to print by performing either of the following:

- Tap the file you want to print.
 - ✍ **NOTE:**
 - If the desired file is not displayed, swipe the screen.
- Search the files in the selected SharePoint® server.
 - a Tap .
 - b Enter the file name or keywords, and then tap Search.
 - c Tap the file you want to print.

- ✍ **NOTE:**
 - You can select up to 10 files.

3 Tap , and then check and change the print settings. See "Print Settings."

- ✍ **NOTE:**
 - You cannot save your print settings to print documents in the SharePoint® server.

4 Tap Print.

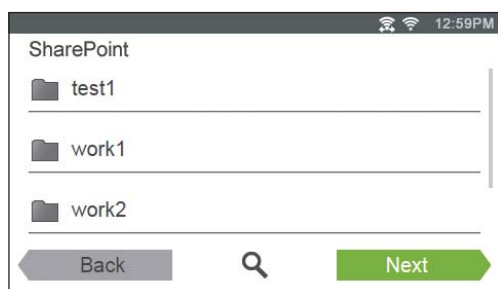
- ✍ **NOTE:**
 - To cancel printing, tap Stop.
 - You can start printing by tapping Print in any screens of Print from SharePoint, Search Results, or Print Settings.

Scanning

You can scan the document and save the scanned data in the selected SharePoint® server.

1 In the SharePoint screen, tap Scan.

The following SharePoint screen is displayed.




When you want to save the scanned data to this folder, tap **Next** and proceed to step 3.

2 Select the folder you want to save the scanned data to by performing either of the following:

- Tap the folder you want to save the scanned data to, and then tap **Next**.


 **NOTE:**

- If the desired folder is not displayed, swipe the screen.
- Search the folder in the selected SharePoint® server.
 - a** Tap .
 - b** Enter the folder name or keywords, and then tap **Search**.
 - c** Tap the folder you want to save the scanned data to, and then tap **Next**.

The **Scan to SharePoint** screen is displayed.

3 Tap the **File Name** text box, and then enter the file name.

4 Tap the **File Format** box, and then select a file format.

5 Tap , and then check and change the scan settings.

See "Scan Settings."

 **NOTE:**

- You cannot save your scan settings to save the scanned data in the SharePoint® server.

6 Tap **Scan**.

 **NOTE:**

- To cancel scanning, tap **Stop**.

When the document is loaded on the document glass, the screen prompts you for another page.

- If you want to scan another document, replace the document with a new document, and then tap **Continue**.
- When you have finished loading documents, tap **Done**.

Know Your Printer

Understanding the Software of Your Printer	277
User Authentication	291
Multiple Desktop - Tile Customization	295
Using the Address Book and Phone Book	297
Using Digital Certificates	304
Understanding Printer Messages	313
Specifications	323

Understanding the Software of Your Printer

Overview

Use the *Software and Documentation* disc to install a combination of software programs/utility tools.

The following shows the compatibility between the software programs/utility tools and operating systems.

Item	Windows®	OS X	Linux
Dell Printer Hub/Dell Printer Management Tool	✓		
Printer Status Window		✓	✓
Status Monitor Console			✓
Status Monitor Widget		✓	
Tool Box	✓		
Address Book Editor	✓	✓	
ScanButton Manager		✓	
Dell™ Supplies Management System			✓
User Setup Disk Creating Tool	✓		
App Manager	✓		

(✓: supported, Blank: not supported)

Dell Printer Hub/Dell Printer Management Tool

NOTE:

- Dell Printer Hub is available on Dell H625cdw and Dell H825cdw.
- Dell Printer Management Tool is available on Dell S2825cdn.
- It is supported on Windows® 7 or later.

This software consolidates your printer management, monitoring tools and cloud connectivity.

You can conveniently access printer utilities, advanced scan features and printer/consumables details, and receive notifications on driver/software updates as well as printer status.

NOTE:

- Connecting to cloud and accessing scan features are available on Dell Printer Hub only.

You can also use Dell Printer Hub/Dell Printer Management Tool to order consumables online or by phone from Dell.

See "Using Dell Printer Hub or Dell Printer Management Tool."

To launch Dell Printer Hub/Dell Printer Management Tool, click **Start** → **All Programs** → **Dell Printers** → **Dell Printer Hub** or **Dell Printer Management Tool**.

The following software are activated on Dell Printer Hub and Dell Printer Management Tool:

- Address Book Editor
See "Address Book Editor."
- Tool Box
See "Tool Box."

- **Printer Embedded Web Server (EWS)**
Displays Dell Printer Configuration Web Tool. See "Dell™ Printer Configuration Web Tool."
- **Configuration tool**
Configures the IP address settings, fax settings, and Wi-Fi settings.

 **NOTE:**

- Wi-Fi settings are available for Dell H625cdw and Dell H825cdw.
- **App Manager**
See "App Manager."

See the FAQs on Dell Printer Hub or Dell Printer Management Tool.

Printer Status Window

The **Printer Status** window alerts you when there is a warning or an error such as paper jams and low toner.

By default, the **Printer Status** window opens only when an error occur. When an error occur, the error message appears on the **Printer Status** window. You can set the **Printer Status** window to always stay open when printing in **Printing Status Window Properties**. You can also check the toner level, quantity of paper remaining or configuration of the options for the printer.

See the help on the **Printer Status** window.

Status Monitor Console/Status Monitor Widget

Use the Status Monitor Console/Status Monitor Widget to manage multiple instances of the **Status Window** for a particular printer.

To start the Status Monitor Console, select a printer from the list view or **Printer Selection**, and then click the name of the printer to open the **Status Window** for that particular printer.

For OS X, see "Using the Status Monitor Widget for Macintosh."

For Linux, see "Using the Status Monitor Console for Linux."

Tool Box

The Tool Box allows you to view, specify, and diagnose the system settings.

To start the Tool Box

1 For Windows® 7:

Click **Start** → **All Programs** → **Dell Printers** → **Dell Printer Hub** or **Dell Printer Management Tool**.

For Windows® 10:

Click the Start button → **Dell Printer Hub** or **Dell Printer Management Tool**.

2 For Dell Printer Hub, select the printer from **My Printers** on the home screen.

For Dell Printer Management Tool, select the printer displayed by default, or another printer from the drop-down list on the upper-right corner of the home screen.

3 Click **Tool Box** on the left of the screen.

For details, see the help on the Tool Box.

Address Book Editor

The Address Book Editor allows you to register the contact information such as phone number and e-mail address. See "Using Address Book Editor."

ScanButton Manager

You can change the location to save the scanned data using the ScanButton Manager. See "Changing the Location to Save the Scanned Data."

Dell™ Supplies Management System

You can use Dell Supplies Management System to order consumables online or by phone from Dell.

See "Dell Supplies Management System Window."

User Setup Disk Creating Tool

The User Setup Disk Creating Tool program is used to create driver installation packages that contain custom driver settings. The User Setup Disk Creating Tool program is located in the **MakeDisk** folder of the **Utilities** folder on the *Software and Documentation* disc. The print drivers that are used are also located on the *Software and Documentation* disc. A driver installation package can contain a group of saved print driver settings and other data for things such as:

- Print orientation and Multiple Up
- Watermarks
- Font references

If you want to install the print driver with the same settings on multiple computers running the same operating system, create a setup disk in a media or in a server on the network. Using the setup disk that you have created reduces the amount of work required when installing the print driver.

- Install the print driver in the computer on which the setup disk is to be created.
- The setup disk can only be used on the operating system on which the disk was created or computers running the same operating system. Create a separate setup disk for each of the operating systems.

App Manager

App Manager is a utility that allows you to install, update, and uninstall apps on the printer.

NOTE:

- App Manager is supported on Windows® 7 or later.

Starting App Manager

The following procedure uses Windows® 7/Windows® 10 as an example.

For Dell H625cdw and Dell H825cdw

- 1 For Windows® 7:

Click **Start** → **All Programs** → **Dell Printers** → **Dell Printer Hub**.

For Windows® 10:

Click the Start button → **Dell Printer Hub**.

- 2 Select the printer from **My Printers** on the home screen.
- 3 Click **App Manager** on the left of the screen of Dell Printer Hub.
- 4 Enter the same ID and password that is used for Dell Printer Configuration Web Tool, and then click **OK**.

For Dell S2825cdn

- 1 For Windows® 7:

Click **Start** → **All Programs** → **Dell Printers** → **Dell Printer Management Tool**.

For Windows® 10:

Click the Start button → **Dell Printer Management Tool**.

- 2 Select the printer displayed by default, or another printer from the drop-down list on the upper-right corner of the home screen.
- 3 Click **App Manager** on the left of the screen of Dell Printer Management Tool.
- 4 Enter the same ID and password that is used for Dell Printer Configuration Web Tool, and then click **OK**.

Using the Status Monitor Widget for Macintosh

Status Monitor Widget is a printer utility that promotes efficient use of the printer through the exchange of information between the Macintosh and the printer.

Status Monitor Widget

- Monitoring Dell Printers
Allows you to check the status of Dell printers currently connected to your Macintosh
- Receiving Alerts
Alerts you when there is a problem, such as paper jams or low toner
- Ordering Supplies
Allows you to access the web site to order supplies

Before Installing the Status Monitor Widget

Operating Systems

- Mac OS X 10.7
- OS X 10.8
- OS X 10.9
- OS X 10.10

Network Protocols and Interfaces

- LPR

- Socket 9100
- Bonjour
- USB 2.0 and 1.1 (When connecting with multiple printers of the same model via USB cables, only the printer recognized first can be monitored in the Status Monitor Widget.)

Installing the Status Monitor Widget

- 1 Double-click the **Dell Color MFP H625cdw/Dell Color MFP H825cdw/Dell Color MFP S2825cdn** icon in the **Finder** window.
- 2 Follow the on-screen instructions.



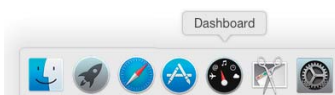
NOTE:

- Entering the administrative login name and password are required during the installation process.


Opening and Closing the Status Monitor Widget

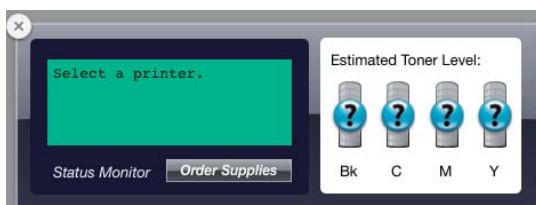
Opening the Status Monitor Widget

- 1 Click the **Dashboard** icon in the Dock.





NOTE:

- If the **Status Monitor** is not displayed, click the  (Plus) sign on the bottom-left corner of the screen, and then click the icon of **Status Monitor** in the Widget Bar.
- If the message **Select a printer** is displayed, select the printer in **Preferences**. See "Preferences."



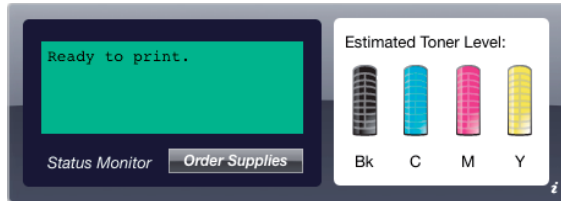
Closing the Status Monitor Widget

- 1 Click the  (Minus) sign on the bottom-left corner of the screen.
- 2 Click the  (Close) button on the upper-left corner of the window.

Closing the Status Monitor Widget

Printer Status Window

When the Status Monitor Widget is activated, the **Printer Status** window appears on Dashboard.



Printer Status Message Area

Displays a message of the current printer status.

NOTE:

- The Status Monitor Widget obtains the printer information at the updated interval that can be specified in **Preferences**. Also, the printer status is refreshed when Dashboard appears or **Preferences** is closed.
- If the Status Monitor Widget receives no response from the printer, the message **Cannot get printer information** is displayed.
- When the printer is connected via USB cable, you cannot check the status of the printer during a print or scan job.

Printer Status Image Area

Displays the image of printer condition.

- Estimated Toner Level image
Displays the estimated toner level of each color if the printer is functioning properly.



NOTE:

- If the utility does not receive a response from the printer, the **Unknown** toner image is displayed.
- Printer error image
Displays an indication image when an error occurs.
When this image is displayed, the printer cannot be used.



Order Supplies Button

Displays the **Order** window.

To hide the **Order** window, click **Order Supplies** again.

Info (i) Button

Opens **Preferences**.

NOTE:

- The **info (i)** button appears on the lower-right corner of the window when the cursor is over the **Printer Status** window. The **info (i)** button is a standard used across all widgets.

Order Window

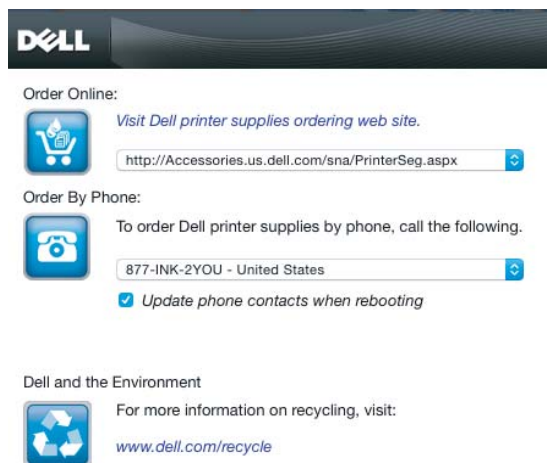
This window provides you with the information for ordering printer supplies online or by phone.

To open the **Order** window:

Click **Order Supplies** in the **Printer Status** window.

NOTE:

- The **Order** window appears when low toner is detected.



Order Online

- **Visit Dell printer supplies ordering web site.** hyperlink
Displays the web site for ordering Dell printer supplies.
- URL list
Displays a list of available URLs where you can order Dell printer supplies.
Select a URL address to use when the **Visit Dell printer supplies ordering web site** hyperlink is clicked.

Order By Phone

- Phone number list
Displays a list of available phone numbers that you can call to order Dell printer supplies.
- **Update phone contacts when rebooting** check box

Select this check box to regularly update the phone number list.

Dell and the Environment

Click the hyperlink to access the web site about recycling.

Preferences

To open **Preferences**:

Click the **info (i)** button in the **Printer Status** window.

NOTE:

- The **info (i)** button appears on the lower-right corner of the window when the cursor is over the **Printer Status** window. The **info (i)** button is a standard used across all widgets.



Printer

Displays a list of available printer names in the pull down menu. The first printer displayed in this list is set as default.

Status Update Interval

You can specify the update interval of the printer status. By default, it is set to obtain the printer information every 10 seconds.

SNMP Community Name

You can change the SNMP (Simple Network Management Protocol) community name if using default community name (public). Up to 31 characters can be entered.

Service Tag

Click **Get Tag** to obtain the service tag.

NOTE:

- You cannot retrieve the service tag when the printer is connected via USB cable.

done

Click this button to return to the **Printer Status** window.

Using the Status Monitor Console for Linux

Status Monitor Console is a printer utility that promotes efficient use of the printer through the exchange of information between the Linux and the printer.

Status Monitor Console

- Monitoring Dell Printers
Allows you to check the status of Dell printers currently connected to your Linux.

- Receiving Alerts
Alerts you to problems, such as paper jams or low toner.
- Ordering Supplies
Allows you to access the web site to order supplies.

Before Installing the Status Monitor Console

NOTE:

- The Status Monitor Console requires the following modules installed.
 - Python, PyGTK, Net-SNMP, cups-libs, and xdg-openMake sure that these modules are installed before you install the Status Monitor Console.
- The Status Monitor Console is available when the printer is connected to a network (LPR or Socket 9100). USB connection is not supported.

Distributions

- Red Hat Enterprise Linux 6 Desktop
- SUSE Linux Enterprise Desktop 11
- Ubuntu 12.04 LTS

Printing System

- Common UNIX Printing System (CUPS)

Installing the Status Monitor Console

- 1 Activate the terminal, and then log in as a super user.
- 2 Enter the following rpm command in the terminal window.

For Red Hat Enterprise Linux 6 Desktop and SUSE Linux Enterprise Desktop 11:

```
# rpm -ivh (Type the package file name)
```

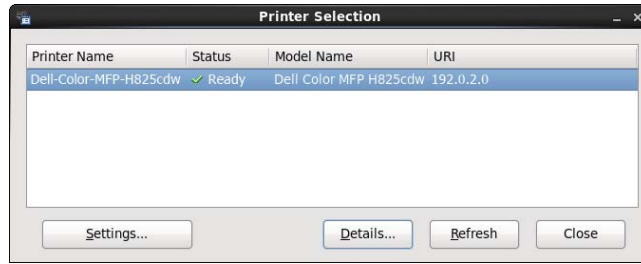
For Ubuntu 12.04 LTS:

```
# dpkg -i (Type the package file name)
```

Starting the Status Monitor Console

- 1 Click **Dell Printers** → **Status Monitor Console**
See "Printer Selection Window."
- 2 Select the printer.
See "Printer Status Window."

Printer Selection Window



Printers List

All the printers registered in the Common UNIX Printing System (CUPS) are displayed in a list.

- Status icons:
 - ✓ Ready
 - ⚠ Unknown/Offline/Toner Low/Paper Low
 - ✗ Door Open/Paper Jam/No Toner/Out Of Paper

Settings Button

Opens the **Settings** window.

Details Button

Opens the **Printer Status** window. If a non-supported printer is selected, it opens Dell Printer Configuration Web Tool. See "Dell™ Printer Configuration Web Tool."

Refresh Button

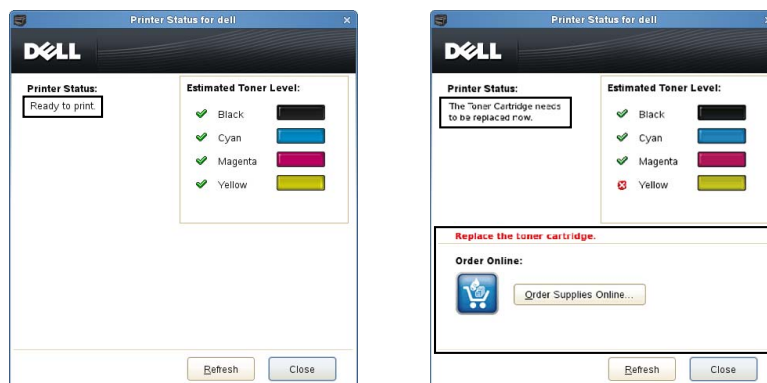
Updates the information of printers.

Close Button

Closes the **Printer Selection** window.

Printer Status Window

When the printer is specified in the **Printer Selection** window, the **Printer Status** window appears.



Printer Status Message Area

Displays a message of the current printer status.

NOTE:

- The Status Monitor Console obtains the printer information at the updated interval that can be specified in the **Settings** window. To refresh the printer status, click **Refresh**.
- If the Status Monitor Console receives no response from the printer, the message **Cannot get printer information** is displayed.

Printer Status Image Area

- Current Toner Status icons
Displays icons of the current status of each toner.
 - ✔ The toner level is more than 30 percent.
 - ⚠ The toner level is less than 29 percent.
 - ✘ The toner level is less than 9 percent.
 - ℹ The toner level is unknown.
- Estimated Toner Level images
Informs about the amount of toner that remains for each color.

Toner Alert

Displays an alert message when any remaining toner is low, empty, or unknown.

Order Online

- **Order Supplies Online** button
Displays the web site for ordering Dell printer supplies. This button appears when the amount of toners becomes less than 30 percent.

Refresh Button

Updates the status of the printer.

Close Button

Closes the **Printer Status** window.

Dell Supplies Management System Window

This window provides you with the information for ordering printer supplies by telephone or from the web site.

To open the **Dell Supplies Management System** window:

Click **Order Supplies Online** in the **Printer Status** window.

OR

Click **Dell Printers** → **Dell Supplies Management System**.



Select Printer Model

Select the printer model name.

Order Online

- **Order Supplies Online** button
 - When the Regular URL is selected in the **Select Reorder URL**: Displays **Service Tag** window.
 - When the Premier URL is selected in the **Select Reorder URL**: Displays the procurement and support web site.
- **Select Reorder URL**

Displays a list of available URLs where you can order Dell printer supplies. Select a URL address to use when the **Order Supplies Online** button is clicked.

 - Regular URL: **<http://accessories.us.dell.com/sna/PrinterSeg.aspx>**
 - Premier URL: **<http://premier.dell.com>**

Order by Phone

- **To order Dell printer supplies by phone, call the following**

Select your country with phone number from the list, and then call the displayed telephone number.
- **Update phone contacts when rebooting** check box

Select this check box to regularly update the phone number list.

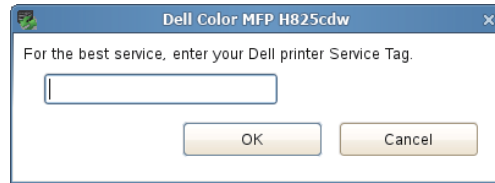
Dell and the Environment

Click the hyperlink to access the web site about recycling.

Close Button

Closes the **Dell Supplies Management System** window.

Service Tag Window



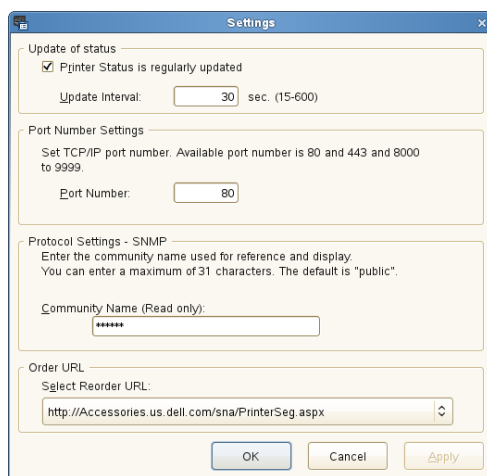
Enter the Dell printer service tag.

NOTE:

- For details about the service tag, see "Express Service Code and Service Tag."

Settings Window

Click **Settings** in the **Printer Selection** window.



Update of status

- **Printer Status is regularly updated** check box
Select the check box to enable the printer status to be updated by the specified interval.
- **Update interval** text box
Specify the update interval of the printer status.

Port Number Settings

- **Port Number**
Specify the port number in the **Port Number** text box to open the setting page of the printer in a web browser.

Protocol Settings - SNMP

- **Community Name**
Enter the Community name of **SNMP** in the **Community Name** text box.

Order URL

- **Select Reorder URL**

The selected URL address is set as default web site for the **Select Reorder URL** in the **Dell Supplies Management System** window.

Software Update

Software, driver, and firmware updates can be downloaded from the Dell Support web site located at www.dell.com/support.

User Authentication

Using the user authentication setting, it is possible to create and manage up to 18 user accounts secured with a password. Each user of the accounts can customize the Home screen and save the changes.

You can select the user authentication method from either local authentication or remote authentication. To use the remote authentication method, the LDAP or Kerberos server is required to authenticate the user.

To select the user authentication method, see "**Desktop Login**" or "Desktop Authentication."

It is also possible to associate NFC (Near Field Communication) capable ID Cards to user account. When an ID card is associated with a user account, you can login to that user account by tapping the ID card to the NFC reader, or waving the ID card over the NFC reader.

NOTE:

- The printer supports the following card types:
 - MIFARE® Ultralight
 - MIFARE Standard (Classic) 1K
 - MIFARE Standard (Classic) 4K
- The NFC feature is available on Dell H625cdw and Dell H825cdw.
- The portal screen is available when you select the local authentication.
- Remote authentication is available for Dell S2825cdn only.

Creating and Editing the User Accounts

To use user authentication, you must first create a user account.

Creating a New User Account

- 1 Turn on the printer and wait until the portal screen is displayed.

NOTE:

- If another account was created and specified as Initial Login, the Home screen of the account appears.


- 2 Tap .

If Panel Lock Control is set to Enable, enter the password. See "Panel Lock."

- 3 Tap OK.

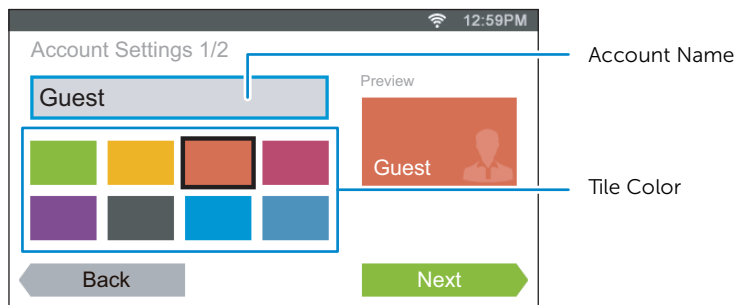
The printer enters the edit mode, and Add Account is displayed in the portal screen.

NOTE:

- In the edit mode, each tile except Add Account has .

- 4 Enter the account name, tap Done, and then select the tile color.

You can preview the image of your custom tile in *Preview*.



5 Tap *Next*.

6 Enter the account password and NFC ID.

To display the *Home* screen of your account when you turn on the printer, select the *Initial Login* check box.

 **NOTE:**

- If no account is specified as *Initial Login*, the portal screen is displayed when you turn on the printer.
- You can create a new account without setting the account password and NFC ID.
- When the NFC Authentication is disabled, NFC ID is not displayed. NFC Authentication is available on Dell H625cdw and Dell H825cdw.
- When you use UID as the NFC ID, enter the hexadecimal characters. The characters A to F should be entered in the capital letters.

7 Tap *Done* → *Done*.

Editing the User Account

1 Tap  in the portal screen.

2 Tap *OK*.

3 Tap the account tile you want to edit.

4 Edit the account name, tile color, password, NFC ID, or *Initial Login*.

 **NOTE:**

- When the NFC authentication is disabled, NFC ID is not displayed. NFC Authentication is available on Dell H625cdw and Dell H825cdw.


5 Tap *Done*.

Deleting the User Account

1 Tap  in the portal screen.

2 Tap *OK*.

3 Tap and hold the account tile you want to delete.

4 Drag the tile to .

5 Tap *OK*.

Logging In to the User Account

There are two ways to log in to the account. One is to log in using the touch panel, and the other is to log in using the NFC authentication card.

NOTE:

- NFC Authentication is available on Dell H625cdw and Dell H825cdw.

Logging In Using the Touch Panel

- 1 Start the printer and wait until the portal screen is displayed.
- 2 Tap the account tile you want to log in to.

NOTE:

- When the account you want to log in to does not require a password, skip step 3. The Home screen is displayed.
- 3 Enter the account password, and then tap `Login`.

Logging In Using the NFC Authentication Card

NOTE:

- NFC Authentication is available on Dell H625cdw and Dell H825cdw.
 - To use the NFC authentication card, the following settings are required:
 - Enable the NFC authentication setting in Secure Settings of the operator panel. See "NFC Authentication."
 - Register your user account to the printer. See "Creating a New User Account."
- 1 Turn on the printer and wait until the portal screen is displayed.

NOTE:

- The NFC authentication is available only when the portal screen is displayed.
- 2 Wave the card over the NFC reader on the printer.

Logging In Using the Local Authentication or Remote Authentication

Specifying the User Authentication Method

Use the operator panel menu or Dell Printer Configuration Web Tool. For details about how to specify the user authentication method, see "**Desktop Login**" or "Desktop Authentication."

Preparations for Remote Authentication

To use the remote authentication method, the printer needs to be specified so that the printer can access to the LDAP or Kerberos server, and that the users need to be registered to the Server Address Book. For details, see "Using the Server Address Book and Server Phone Book" and "Using the Address Book and Phone Book."

Logging In for Remote Authentication

The `Sign in` screen is displayed when the printer is turned on while the printer is specified to use the remote authentication method.

Enter the login name and password registered in the LDAP or Kerberos server to log in to the printer.

For LDAP:




For Kerberos:



Logging Out

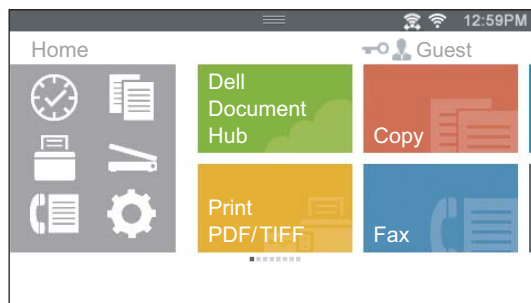
When there is an account which is specified as `Initial Login`, the Home screen of the account is always displayed after the printer is turned on. To log in to another account, you need to log out first.

- 1 Press the  (**Log In/Out**) button.

Multiple Desktop - Tile Customization

The Home screen is like a desktop of your computer and customizable to suit your preference or work style.

For example, you can gather only the tiles you often use, or rearrange the tiles so that you can easily access the tiles you often use.



The tiles on the Home screen can be the shortcuts to the jobs to be performed on the printer, like "taking seven copies of the handouts for the weekly meeting in two-sided color copy" or "scanning the document and sending the scanned data to my boss by e-mail." If you create a tile for a job with such job settings, the printer changes the settings of the printer as you specified just by tapping the tile.

Adding a New Tile

You can select and add the tile from the pre-defined tiles, or you can create a new customized tile which includes specific settings for copy, fax, scan or print. Up to 28 tiles can be placed in your Home screen.

You can also add tiles to each of the copy, print, scan, and fax group screen that is displayed when tapping the icons in the Dock Menu. Up to 8 tiles can be placed in each group screen.

NOTE:

- If a tile is added to the Home screen, it will also be added to the relevant group screen. If a tile is added to a group screen, it will also be added to the Home screen.

Selecting From the Pre-defined Tiles


The printer offers the pre-defined tiles which include the default job settings.

- 1 On the Home screen or group screen, tap Add App.

NOTE:

- If the maximum number of tiles have been reached in a group screen, the tiles relevant to the group is not displayed in the list.

- 2 Tap the tile you want to add to your Home screen or group screen.


 is displayed on the upper-right of the tile when you add the tile in your Home screen.

Creating a New Tile Including the Job Settings

You may often use the same settings to copy a certain document, for example. You can create the tile including those job settings and save it in your Home screen.

Creating Your Custom Tile

The following explanation is an example to create your custom tile for copying. To create custom tiles for other jobs such as faxing, scanning, or printing, follow the same procedures on the job settings screen of each job.

- 1 Tap the **Copy** tile in your **Home** screen.
- 2 Tap the setting tiles and change the copy options as needed.
See "Copy."
- 3 Tap .
- 4 Tap the text box, and then enter the name of your settings.
- 5 Tap the color tile you want to set as your custom tile.



NOTE:

- You can preview the image of your custom tile in **Preview**.

- 6 Tap **Save As**.




NOTE:

- When a tile has the **Lock** icon, that function is controlled by the **Functions Control** setting. To enable the function, you need to enter the password. See "Functions Control."
- When you save the job settings for **Fax** or **Scan to Email** as a custom tile, recipient information is saved together with the settings. To prevent from sending faxes or e-mails to wrong recipients, make sure that the fax numbers or e-mail addresses of the recipients displayed on the touch panel are correct.

To prevent others from using customized tiles with personal information, log out from your user account after you finish using the printer.

Editing Your Custom Tile

You can edit the job settings saved in your custom tile.

- 1 Tap the tile you want to edit in your **Home** screen or group screen.
- 2 Change the job settings as needed.
- 3 Tap .
- 4 Tap the text box to name your settings if you want to rename your settings.
- 5 Tap the color tile if you want to change the color of the tile.
- 6 Tap **Save**.



NOTE:

- If you tap **Save As** instead, the new tile is added in your **Home** screen.

Moving or Deleting Your Tiles

You can move or delete your tiles from your **Home** screen or group screen. See "Moving, Adding or Deleting Tiles."

Using the Address Book and Phone Book

There are several address books available for scan and fax functions. Address books help you organize contact information, such as e-mail addresses, fax numbers and server information, and quickly choose the recipient or locate the address. The address book data can be obtained from the printer or a remote LDAP server.

NOTE:

- Phone book is described as one of address books in this section.
- For details about how to setup the LDAP server, see "LDAP Server" and "LDAP User Mapping." For details about how to obtain e-mail addresses and fax numbers from LDAP servers, see "Using the Server Address Book and Server Phone Book."

Types of Address Books

- E-mail Address Book (for Scan to Email)
E-mail addresses registered for sending the scanned data via e-mail
- E-mail Group (for Scan to Email)
Groups of e-mail addresses registered for sending the scanned data via e-mail
- LDAP Server Address Book (for Scan to Email)
E-mail addresses registered in the LDAP server for sending the scanned data via e-mail
- Network Address Book (for Scan to Network Folder)
Computer and FTP server information registered for sending the scanned data to a computer or ftp server
- Phone Book (for Fax)
Fax numbers registered for sending scanned data from the printer
- Group Dial (for Fax)
Groups of fax numbers registered for sending scanned data from the printer
- LDAP Server Phone Book (for Fax)
Fax numbers registered in the LDAP server for sending scanned data from the printer
- PC Fax Address Book (for Direct Fax)
Fax numbers registered for sending scanned data from your computer
- PC Fax Address Book for group (for Direct Fax)
Groups of fax numbers registered for sending scanned data from your computer

Adding and Editing Entries to the Address Books

There are following three ways to add or edit entries to the address books:

- Operator panel of the printer
- Address Book Editor
- Dell Printer Configuration Web Tool

Functions	Features	Types of Address Books	Entry Method		
			Operator Panel on the Printer	Address Book Editor	Dell Printer Configuration Web Tool
Scan	E-mail	Address Book		✓	✓
		E-mail Group		✓	✓
		Server Address Book (LDAP server)			
	Network	Address Book		✓	✓
Fax	Fax	Phone Book	✓	✓	✓
		Group Dial	✓	✓	✓
		Server Phone Book (LDAP server)			
	Direct Fax	PC Fax Address Book		✓	
		PC Fax Address Book - group		✓	

(✓: supported, Blank: not supported)

Using Operator Panel of the Printer

You can directly enter the fax numbers on the operator panel.

NOTE:

- For details about how to add a new entry, see "Setting Speed Dial."

Using Address Book Editor

You can use Address Book Editor installed on your computer to add or edit entries. Address Book Editor is synchronized with the address books of the printer and updated simultaneously as you save changes to the entries in Address Book Editor.

To start Address Book Editor on Windows®

1 For Windows® 7:

Click **Start** → **All Programs** → **Dell Printers** → **Dell Printer Hub** or **Dell Printer Management Tool**.

For Windows® 10:

Click the Start button → **Dell Printer Hub** or **Dell Printer Management Tool**.

2 For Dell Printer Hub, select the printer from **My Printers** on the home screen.

For Dell Printer Management Tool, select the printer displayed by default, or another printer from the drop-down list on the upper-right corner of the home screen.

3 Click **Address Book Editor** on the left of the screen.

NOTE:

- You can also start Address Book Editor from the Direct Fax driver.

To start Address Book Editor on OS X

See "Using Address Book Editor."

NOTE:

- When the printer and your computer is connected via USB, you must install the scanner driver.

With Address Book Editor, you can:

- Retrieve data from the address books of the printer at startup.
- Synchronize with the printer.
- Import the address book data from CSV file, WAB file, MAPI, and LDAP server.
- Export the address book data into a CSV file.

 **NOTE:**

- Do not edit the exported CSV file with programs other than the Address Book Editor. Editing the CSV file with other programs may corrupt the address data.

Address Book Panel

There are two address books you can manage in the Address Book Editor: **Printer Address Book** for Fax, E-mail, and Server, and **PC Fax Address Book** for Direct Fax.

Editing an Entry

- 1 Select an address book that the entry you want to edit is stored.
- 2 Select an entry that you want to edit.
- 3 Click **Edit**, and then enter new information.
- 4 Click **Save**.

 **NOTE:**

- When the address book entries are updated, it synchronizes with the printer and updates the address books of the printer simultaneously.

Using Dell Printer Configuration Web Tool

You can use Dell Printer Configuration Web Tool using a general web browser.

 **NOTE:**

- For details about how to add a new entry, see "Address Book."
- When the address book entries are updated, the address books of the printer are also updated simultaneously.

Using the Server Address Book and Server Phone Book

With the **E-mail Server Address Book** and the **Fax Server Phone Book**, you can specify an e-mail address or fax number of a recipient registered in the external LDAP server when sending a scanned data with e-mail or fax.

To use the **E-mail Server Address Book** and the **Fax Server Phone Book**, the printer needs to be configured in order to access the external LDAP server.

 **NOTE:**

- To configure the settings of the external LDAP server, contact your system administrator.

Preparing the Printer to Access the External LDAP Server

Set the following items using Dell Printer Configuration Web Tool.

- Authentication type
- LDAP Server
- LDAP User Mapping

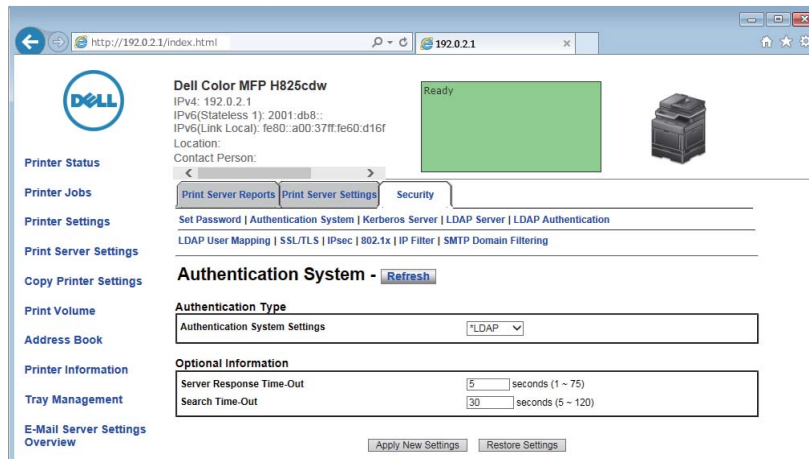
Starting Dell Printer Configuration Web Tool

To start Dell Printer Configuration Web Tool, enter the IP address of the printer in the address bar of a web browser.

If you do not know the IP address of the printer, verify the IP address by using the operator panel, printing the system settings report, or using the ping command. See "Verifying the IP Settings."

Setting Authentication Type

- 1 Click **Print Server Settings** → the **Security** tab → **Authentication System**.



- 2 In the **Authentication System Settings** drop-down list box under **Authentication Type**, select **LDAP** as the authentication method, and then click **Apply New Settings**.

NOTE:

- When the server you are accessing uses the Kerberos authentication, select **Kerberos** as the authentication method. To set the information necessary to access the Kerberos server, enter the information in **Kerberos Server** under the **Security** tab. See "Kerberos Server."

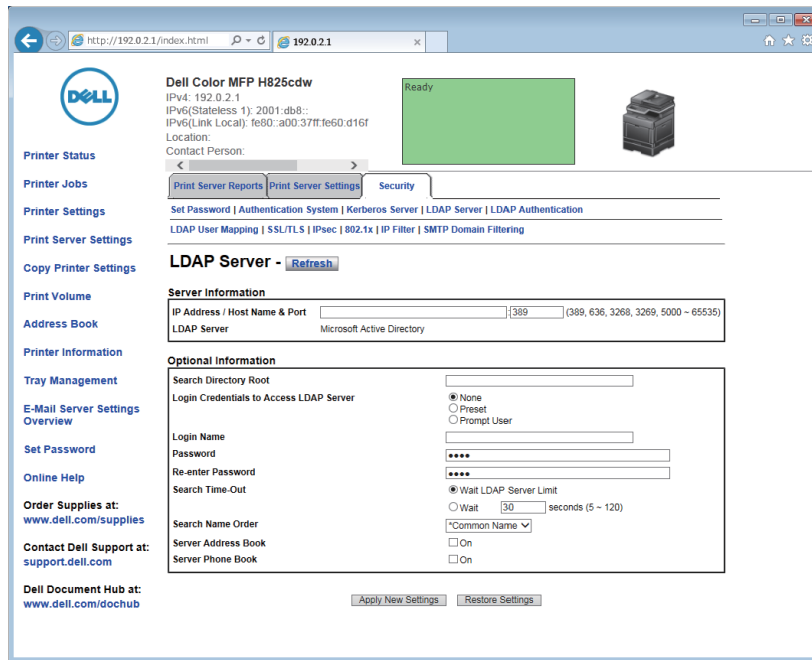
- 3 Click **Restart Printer**.

Setting LDAP Server

NOTE:

- When SSL/TLS communication is required to access the LDAP server, select the **Enable** check box for **LDAP-SSL/TLS Communication** in **SSL/TLS** under the **Security** tab. See "SSL/TLS."

1 Click **Print Server Settings** → the **Security** tab → **LDAP Server**.



2 In the **IP Address/Host Name & Port** text box under **Server Information**, enter IP address or the host name, and the port number.

The port number must be 389, 3268, or between 5000 and 65535.

 **NOTE:**

- When LDAPS communication is required, set the port number to 636, and when you use the global catalog, set the port number to 3269.

3 Under **Optional information**, set the following items.

For details about configuring each item, contact your network administrator.

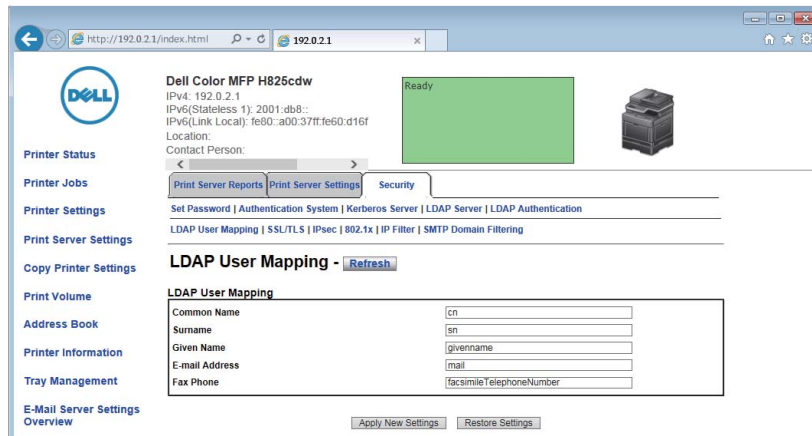
- In the **Search Directory Root** text box, enter the search directory root.
- In **Login Credentials to Access LDAP Server**, select credential used to access the LDAP server. For details, see "LDAP Server."
- In the **Login Name** text box, enter the login name.
- In the **Password** text box, enter the login password using 1 to 127 alphanumeric characters. If the password is left blank (NULL), you cannot log in to a server.
- In the **Re-enter Password** text box, enter the login password again to check it.
- In **Search Time-Out**, select **Wait LDAP Server Limit** if you want to follow the time specified by the LDAP server. Select **Wait** if you want to specify the time.
- In the **Search Name Order** drop-down list box, specify the search order.
- In **Server Address Book**, select the check box if you want to enable the server address book.
- In **Server Phone Book**, select the check box if you want to enable the server phone book.

4 Click **Apply New Settings**.

5 Click **Restart Printer**.

Setting LDAP User Mapping

- 1 Click **Print Server Settings** → the **Security** tab → **LDAP User Mapping**.



- 2 Specify the attribute names used in the LDAP server.



 **NOTE:**

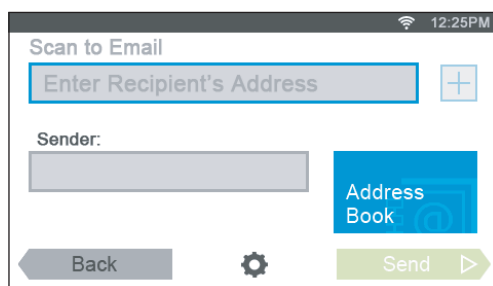
- If the attribute names are not customized in the LDAP server, leave the settings in this step as they are by default.

- 3 Click **Apply New Settings**.

- 4 Click **Restart Printer**.

Sending an E-mail With the Scanned Data Using the E-mail Server Address Book

- 1 Press the  (**Home**) button.
- 2 Tap  → **Scan to Email**.
- 3 Tap **Address Book**.



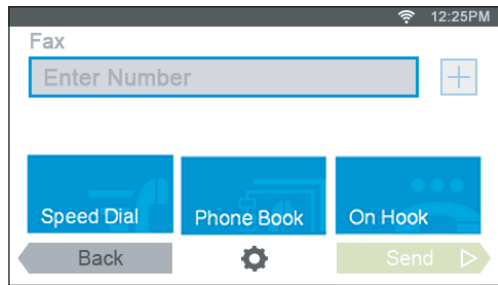
- 4 Tap **Network Address Book**.
- 5 Enter a keyword using the keyboard, and then tap **Search**.
- 6 Tap a recipient from the search result, and then tap **Done**.
- 7 Tap **Send**.

Sending a Fax Using the Fax Server Phone Book

- 1 Press the  (**Home**) button.

2 Tap  → Fax.

3 Tap Phone Book.



4 Tap Network Phone Book.

5 Enter a keyword using the keyboard, and then tap Search.

6 Tap a recipient from the search result, and then tap Done.

7 Tap Send.

Using Digital Certificates

The authentication feature using digital certificates upgrades security when sending print data or setting data.

This chapter describes how to manage digital certificates.

The printer supports the following digital certificate formats.

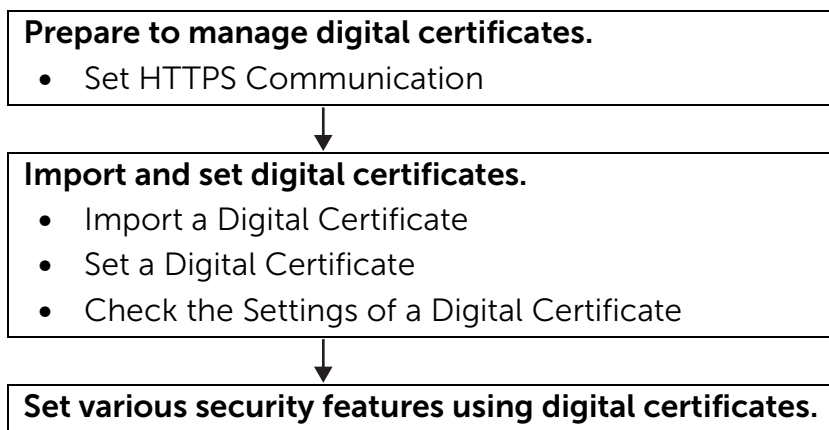
- PKCS#12
HTTPS, IPsec (PKI), Wi-Fi (WPA-Enterprise)
- PKCS#7 (for CSR)
HTTPS, IPsec (PKI)



NOTE:

- For details about digital certificate error, see "Understanding Printer Messages" and "Digital Certificate Problems."

The following is a typical setup flow for using digital certificates.



Managing Certificates

This section describes how to manage digital certificates as follows:

- "Preparing to Use HTTPS Communication"
- "Creating and Downloading a Certificate Signing Request (CSR)"
- "Importing a Digital Certificate"
- "Setting a Digital Certificate"
- "Confirming the Settings of a Digital Certificate"
- "Deleting a Digital Certificate"
- "Exporting a Digital Certificate"

Preparing to Use HTTPS Communication

Before managing digital certificates, set HTTPS communication with a self-signed certificate.

- 1 Start Dell Printer Configuration Web Tool.
See "Starting Dell Printer Configuration Web Tool."
- 2 Click **Print Server Settings** → the **Security** tab → **SSL/TLS**.
- 3 Click **Generate Self-Signed Certificate of Machine Digital Certificate**.

- 4 Select the size of public key from the list of **Size of Public Key**.
- 5 Specify the issuer of self-signed certificate.
- 6 Click **Generate Signed Certificate**.
After the self-signed certificate is generated, the **Restart Printer** button appears.
- 7 Click **Restart Printer**.
- 8 Repeat steps 2 to 4.
- 9 When the self-signed certificate is set correctly, the **HTTP- SSL/TLS Communication** column is set to **Enable**, select the **Enable** check box.

Creating and Downloading a Certificate Signing Request (CSR)

NOTE:

- To download a CSR from the printer, you must set up HTTPS communication. See "Preparing to Use HTTPS Communication."

- 1 Start Dell Printer Configuration Web Tool.
See "Starting Dell Printer Configuration Web Tool."
- 2 Click **Print Server Settings** → the **Security** tab → **SSL/TLS**.
- 3 Click **Certificate Signing Request (CSR)**.
- 4 Specify each item of certificate signing request.
- 5 Click **Apply New Settings**.
- 6 Check the settings of certificate signing request, and then click **Download**.
- 7 Save a CSR file to your computer.
Use this CSR to receive a signed certificate from a trusted certificate authority.

Importing a Digital Certificate

CAUTION:

- **Before importing a certificate file, backup the certificate file.**

NOTE:

- To manage digital certificates, you must set up HTTPS communication. See "Preparing to Use HTTPS Communication."
 - Make sure to import the certificate with Internet Explorer.
 - After importing a PKCS#12 format certificate, the secret key is not exported even if you execute exporting.
- 1 Start Dell Printer Configuration Web Tool.
See "Starting Dell Printer Configuration Web Tool."
 - 2 Click **Print Server Settings** → the **Security** tab → **SSL/TLS**.
 - 3 Click **Upload Signed Certificate** of **Machine Digital Certificate**.
 - 4 Enter a password.

NOTE:


- The password is not necessary when importing a PKCS#7 format certificate, which has the filename extension of p7b.

- 5 Re-enter the password.
- 6 Click **Browse** of **File Name**, and then select the file to be imported.
- 7 Click **Import**.

Setting a Digital Certificate

NOTE:

- To manage digital certificates, you must set up HTTPS communication. See "Preparing to Use HTTPS Communication."

- 1 Start Dell Printer Configuration Web Tool.
See "Starting Dell Printer Configuration Web Tool."
- 2 Click **Print Server Settings** → the **Security** tab → **SSL/TLS** → **Certificate Management**.
- 3 Perform the following:
To set a Wireless LAN (Server) certificate, select **Trusted Certificate Authorities** within **Category**.
To set a certificate of SSL/TLS Server, SSL/TLS Client, IPsec, or Wireless LAN (Client), select **Local Device**.
- 4 Select the purpose of use from the **Certificate Purpose** list.
- 5 Click **Display the List**.
 NOTE:
 - If the list includes more than 20 certificates, click **Next** to display the next page.
- 6 Select the certificate to associate. At this time, check that **Validity** of the certificate selected is set to **Valid**.
- 7 Click **Certificate Details**.
- 8 Check the content, and then click **Use This Certificate** at the upper-right corner.

Confirming the Settings of a Digital Certificate

NOTE:

- To manage digital certificates, you must set up HTTPS communication. See "Preparing to Use HTTPS Communication."

- 1 Start Dell Printer Configuration Web Tool.
See "Starting Dell Printer Configuration Web Tool."
- 2 Click **Print Server Settings** → the **Security** tab → **SSL/TLS** → **Certificate Management**.
- 3 Click **Certificate Management**.
- 4 Select the category from the **Category** list.
- 5 Select the purpose of use from the **Certificate Purpose** list.

6 Click **Display the List**.

NOTE:

- If the list includes more than 20 certificates, click **Next** to display the next page.

The certificate displayed with an asterisk as "***Valid**" in the **Validity** column is the certificate associated with the purpose of use and currently used.

Deleting a Digital Certificate

NOTE:

- To manage digital certificates, you must set up HTTPS communication. See "Preparing to Use HTTPS Communication."

1 Start Dell Printer Configuration Web Tool.

See "Starting Dell Printer Configuration Web Tool."

2 Click **Print Server Settings** → the **Security** tab → **SSL/TLS** → **Certificate Management**.

3 Select the category from the **Category** list.

4 Select the purpose of use from the **Certificate Purpose** list.

5 Click **Display the List**.

NOTE:

- If the list includes more than 20 certificates, click **Next** to display the next page.

6 Select the certificate to be deleted.

7 Click **Certificate Details**.

8 To delete the selected certificate, click **Delete** at the upper-right corner.

NOTE:

- When a certificate is deleted, the features associated with the deleted certificate are disabled. To delete a certificate being used, either set the feature to OFF in advance or switch the association to another certificate, and then switch to another operation mode if possible before deleting the certificate.
- For an SSL/TLS Server, sets the HTTP-SSL/TLS and IPPS communication to OFF.
- For an SSL/TLS Client, set the LDAP-SSL/TLS, SMTP-SSL/TLS, and IEEE 802.1x (EAP-TLS) setting to OFF.
- For IPsec, change the IKE setting to Pre-Shared Key or set the feature to OFF.
- For wireless LAN, change the wireless security setting to other than WPA-Enterprise before deleting the certificate. Wireless network is available on Dell H625cdw and Dell H825cdw.


Exporting a Digital Certificate

NOTE:

- To manage digital certificates, you must set up HTTPS communication. See "Preparing to Use HTTPS Communication."
- Since the secret key is not exported, an imported PKCS#12 format certificate can be exported only as a PKCS#7 certificate.

1 Start Dell Printer Configuration Web Tool.

See "Starting Dell Printer Configuration Web Tool."

- 2 Select **Print Server Settings** → the **Security** tab → **SSL/TLS** → **Certificate Management**.
- 3 Select the category from the **Category** list.
- 4 Select the purpose of use from the **Certificate Purpose** list.
- 5 Click **Display the List**.
 -  **NOTE:**
 - If the list includes more than 20 certificates, click **Next** to display the next page.
- 6 Select the certificate to be exported.
- 7 Click **Certificate Details**.
- 8 Click **Export This Certificate**.

Setting the Features

You can set various security features using digital certificates.

- "Setting the Certificate in the IPsec Digital Signature Mode"
- "Setting the SSL/TLS-Use Server Certificate (HTTP/IPP)"
- "Setting SMTP-SSL/TLS Communication"
- "Setting LDAP-SSL/TLS Communication"
- "Setting for Wireless LAN WPA-Enterprise (EAP-TLS)"
- "Setting for Wireless LAN WPA-Enterprise (PEAPV0-MS-CHAPV2, EAP-TTLS PAP, EAP-TTLS CHAP)"

Setting the Certificate in the IPsec Digital Signature Mode

NOTE:

- To manage digital certificates, you must set up HTTPS communication. See "Preparing to Use HTTPS Communication."
- 1 Import the certificate to be used with IPsec. See "Importing a Digital Certificate."
 - 2 Set the certificate to be used with IPsec. See "Setting a Digital Certificate."
 - 3 Make sure that the certificate is set correctly in IPsec. See "Confirming the Settings of a Digital Certificate."
 - 4 Select **Print Server Settings** → the **Security** tab → **IPsec**.
 - 5 Select the **Enable** check box for **Protocol**.
 - 6 Click **Digital Signature** from the **IKE** list.
 - 7 Set each item, as necessary.
 - 8 Click **Apply New Settings**.

After restarting the printer, IPsec communication using digital signatures is enabled. You can execute IPsec communication (Digital Signature Mode) between the printer and the network device such as PC on which the certificate and IPsec are set identically as on the printer.

Setting the SSL/TLS-Use Server Certificate (HTTP/IPP)

NOTE:

- To manage digital certificates, you must set up HTTPS communication. See "Preparing to Use HTTPS Communication."
- 1 Import the certificate to be used with the SSL/TLS-use server. See "Importing a Digital Certificate."
 - 2 Set the certificate to be used with the SSL/TLS-use server. See "Setting a Digital Certificate."
 - 3 Make sure that the certificate is set correctly. See "Confirming the Settings of a Digital Certificate."

NOTE:

- Check that the newly set certificate, not the self-signed certificate, is associated.
- 4 After restarting the printer, the certificate set as described above is used as the server certificate when executing communication with HTTP/IPP-SSL/TLS.

Setting SMTP-SSL/TLS Communication

- 1 Start Dell Printer Configuration Web Tool.
See "Starting Dell Printer Configuration Web Tool."
- 2 Click **Print Server Settings** → the **Security** tab → **SSL/TLS**.
- 3 Select the **Enable** check box for **SMTP-SSL/TLS Communication**.
- 4 Click **Apply New Settings**.
The printer is restarted and **SMTP-SSL/TLS Communication** is enabled.

Setting LDAP-SSL/TLS Communication

- 1 Start Dell Printer Configuration Web Tool.
See "Starting Dell Printer Configuration Web Tool."
- 2 Click **Print Server Settings** → the **Security** tab → **SSL/TLS**.
- 3 Select the **Enable** check box for **LDAP-SSL/TLS Communication**.
- 4 Click **Apply New Settings**.
The printer is restarted and **LDAP-SSL/TLS Communication** is enabled.

Setting for Wireless LAN WPA-Enterprise (EAP-TLS)

NOTE:

- To manage digital certificates, you must set up HTTPS communication. See "Preparing to Use HTTPS Communication."
 - WPA-Enterprise is available only when **Infrastructure** is selected as **Network Type**.
 - Make sure to import the certificate with Internet Explorer.
 - After importing a PKCS#12 format certificate, the secret key is not exported even if you execute exporting.
 - Wireless network is available on Dell H625cdw and Dell H825cdw.
- 1 Import the certificate to be used with Wireless LAN (server or root certificate). See "Importing a Digital Certificate."

- 2 Set the digital certificate for wireless LAN (server or root certificate).
 - a Start Dell Printer Configuration Web Tool.
See "Starting Dell Printer Configuration Web Tool."
 - b Click **Print Server Settings** → the **Security** tab → **SSL/TLS** → **Certificate Management**.
 - c Click **Trusted Certificate Authorities** within **Category**.
 - d Select the Wireless LAN (Client) of use from the **Certificate Purpose** list.
 - e From **Certificate Order**, select how the certificates are sorted in **Certificate List**. This setting is not necessary if you do not need to specify the order for the certificates.
 - f Click **Display the List**.
 - g Select the certificate to associate. At this time, check that **Validity** of the certificate selected is set to **Valid**.
 - h Click **Certificate Details**.
 - i Check the content, and then click **Use This Certificate** at the upper-right corner.
- 3 Make sure that the certificate is set correctly. See "Confirming the Settings of a Digital Certificate."
- 4 Import the certificate to be used with Wireless LAN (client or client certificate). See "Importing a Digital Certificate."
- 5 Set the digital certificate for wireless LAN (client or client certificate).
 - a Start Dell Printer Configuration Web Tool.
See "Starting Dell Printer Configuration Web Tool."
 - b Click **Print Server Settings** → the **Security** tab → **SSL/TLS** → **Certificate Management**.
 - c Click **Local Device** within **Category**.
 - d Select the Wireless LAN (Client) of use from the **Certificate Purpose** list.
 - e From **Certificate Order**, select how the certificates are sorted in **Certificate List**. This setting is not necessary if you do not need to specify the order for the certificates.
 - f Select the certificate to associate. At this time, check that **Validity** of the certificate selected is set to **Valid**.
 - g Click **Certificate Details**.
 - h Check the content, and then click **Use This Certificate** at the upper-right corner.
- 6 Make sure that the certificate is set correctly. See "Confirming the Settings of a Digital Certificate."
- 7 Set WPA-Enterprise for EAP-TLS.
 - a Start Dell Printer Configuration Web Tool.
See "Starting Dell Printer Configuration Web Tool."
 - b Click **Print Server Settings** → the **Print Server Settings** tab → **Wi-Fi**.

- c Click **WPA-Enterprise-AES/WPA2-Enterprise-AES** from the **Encryption list** of **Secure Settings**.

 **NOTE:**

- **WPA-Enterprise-AES/WPA2-Enterprise-AES** becomes available only when the following steps are set correctly.
 - Importing a Digital Certificate
 - Setting a Digital Certificate
 - Confirming the Settings of a Digital Certificate

- d Set **EAP-Identity** of **WPA-Enterprise**.
- e Select **EAP-TLS** from the **Authentication Method** list of **WPA-Enterprise**.
- f Click **Apply New Settings**.

Setting for Wireless LAN WPA-Enterprise (PEAPV0-MS-CHAPV2, EAP-TTLS PAP, EAP-TTLS CHAP)

 **NOTE:**

- To manage digital certificates, you must set up HTTPS communication. See "Preparing to Use HTTPS Communication."
 - WPA-Enterprise is available only when **Infrastructure** is selected as **Network Type**.
 - Make sure to import the certificate with Internet Explorer.
 - After importing a PKCS#12 format certificate, the secret key is not exported even if you execute exporting.
 - Wireless network is available on Dell H625cdw and Dell H825cdw.
- 1 Import the certificate to be used with Wireless LAN (server or root certificate). See "Importing a Digital Certificate."
 - 2 Set the digital certificate for wireless LAN (server or root certificate).
 - a Start Dell Printer Configuration Web Tool.
See "Starting Dell Printer Configuration Web Tool."
 - b Click **Print Server Settings** → the **Security** tab → **SSL/TLS** → **Certificate Management**.
 - c Click **Trusted Certificate Authorities** within **Category**.
 - d Select the purpose of use from the **Certificate Purpose** list.
 - e Click **Display the List**.
 - f Select the certificate to associate. At this time, check that **Validity** of the certificate selected is set to **Valid**.
 - g Click **Certificate Details**.
 - h Check the content, and then click **Use This Certificate** at the upper-right corner.
 - 3 Make sure that the certificate is set correctly.
 - a Start Dell Printer Configuration Web Tool.
See "Starting Dell Printer Configuration Web Tool."
 - b Click **Print Server Settings** → the **Security** tab → **SSL/TLS** → **Certificate Management**.
 - c Click the category from the **Category** list.
 - d Select the Wireless LAN (Server) of use from the **Certificate Purpose** list.

- e From **Certificate Order**, select how the certificates are sorted in **Certificate List**. This setting is not necessary if you do not need to specify the order for the certificates.
 - f Click **Display the List**.
The certificate displayed with an asterisk as "***Valid**" in the **Validity** column is the certificate associated with the use purpose and actually used.
- 4 Set WPA-Enterprise for PEAPV0-MS-CHAPV2, EAP-TTLS PAP, or EAP-TTLS CHAP.
- a Start Dell Printer Configuration Web Tool.
See "Starting Dell Printer Configuration Web Tool."
 - b Click **Print Server Settings** → the **Print Server Settings** tab → **Wi-Fi**.
 - c Click **WPA-Enterprise-AES/WPA2-Enterprise-AES** from the **Encryption list** of **Secure Settings**.
 - 📌 **NOTE:**
 - **WPA-Enterprise-AES/WPA2-Enterprise-AES** becomes available only when the following steps are set correctly:
 - Importing a Digital Certificate
 - Setting a Digital Certificate
 - Confirming the Settings of a Digital Certificate
 - d Set **EAP-Identity**, **Login Name**, and **Password** of **WPA-Enterprise**.
 - e Select either of the following from the **Authentication Method** list of **WPA-Enterprise**:
 - **PEAPV0 MS-CHAPV2**
 - **EAP-TTLS PAP**
 - **EAP-TTLS CHAP**
 - f Click **Apply New Settings**.

Understanding Printer Messages

The touch panel displays error messages describing the current state of the printer and indicates possible printer problems you must resolve. This chapter provides a list of status codes or error messages, and informs you what you can do to clear error messages. When you contact customer support about an error, have the status codes and messages ready.

CAUTION:

- When an error occurs, the print data remaining on the printer and the information accumulated in the memory of the printer may be corrupted.

NOTE:

- A status code is listed in an error message.
- For status codes that are not listed in this chapter, refer to instructions in each error messages.

Status Codes

Status-Code	What you can do
004-310	Turn off the printer. Make sure that the tray is correctly installed, and then turn on the printer. Contact customer support if this failure is repeated.
005-121	Open the Duplex Automatic Document Feeder (DADF) cover and remove the jammed documents.
009-340	Turn off the printer. Clean the Color Toner Density (CTD) sensor with a clean dry cotton swab, and then turn on the printer. Contact customer support if this failure is repeated. See "Cleaning the Color Toner Density (CTD) Sensor."
009-360	Turn off the printer. Make sure that toner cartridge of the specified color is correctly installed, and then turn on the printer. The status code differs depending on the color of the toner cartridge. Contact customer support if this failure is repeated. See "Replacing the Toner Cartridges."
009-361	
009-362	
009-363	
009-367	
009-368	
009-369	
009-370	
010-377	Turn off the printer, and then turn it on again. Contact customer support if this failure is repeated.
016-338	Turn off the printer, and then turn it on again. Contact your system administrator if this failure is repeated.
016-404	Contact your system administrator. For details about digital certificate problems, see "Digital Certificate Problems."
016-405	Security setting mismatch. Initialize the security setting, and then restart the printer by turning off the printer and then on again. Contact your system administrator for the security resetting.
016-503	Unable to resolve the e-mail SMTP server hostname. Tap Close , or wait for 60 seconds for the printer to recover. Make sure that SMTP server and DNS server are set correctly.
016-504	Unable to resolve the e-mail POP3 server hostname. Tap Close , or wait for 60 seconds for the printer to recover. Make sure that user name and password for POP3 server and DNS server are set correctly.

Status-Code	What you can do
016-505	E-mail POP3 server login error. Tap C lose, or wait for 60 seconds for the printer to recover. Make sure that user name and password used for POP3 server are set correctly.
016-506	SMTP server is not configured. Tap C lose, or wait for 60 seconds for the printer to recover. Make sure that SMTP server or POP server is set.
016-507	E-mail SMTP server login error. Tap C lose, or wait for 60 seconds for the printer to recover. Make sure that user name and password used for SMTP server are set correctly.
016-520	The certificate of the printer is invalid. Contact your system administrator. Reset the certificate from other connectable clients with Dell Printer Configuration Web Tool. If no device can be connected, disconnect Ethernet cable, turn off the IPsec, and then reset the certificate with Dell Printer Configuration Web Tool.
016-521	The certificate of the destination client is invalid. Contact your system administrator. Check the certificate of the destination client and reset.
016-530	Authentication server access error. Turn off the printer, and then turn it on again. Check the access settings for the authentication server and try again. Contact customer support if this failure is repeated.
016-541	A wireless certificate of the server or client cannot be correctly referenced while using Wireless LAN WPA-Enterprise or WPA2-Enterprise. Ask your system administrator to connect the printer with a wired network, initialize the wireless settings, import the wireless certificate, and then set WPA-Enterprise or WPA2-Enterprise again.
016-542	A server certificate error has occurred when acquiring the certificate with the operation of WPA-Enterprise or WPA2-Enterprise. This is a problem in the server certificate, such as the validity period has expired for the server certificate being used with the Radius server. Ask your system administrator to check the server certificate being used with the Radius server.
016-543	A wireless certificate of the server or client corruption error has occurred while using the Wireless LAN WPA-Enterprise or WPA2-Enterprise. Ask your system administrator to connect the printer with a wired network, initialize the wireless settings, import the wireless certificate, and then set WPA-Enterprise or WPA2-Enterprise again.
016-718	Error relating to USB Direct Print problems has occurred. While the USB flash drive is still inserted, set Image Types to Photos (Standard Quality) in Print Settings under the Print PDF/TIFF menu and try printing again. See "Image Types."
016-720	Error relating to Page Description Language (PDL) emulation problems has occurred. Change the Print Mode setting in the Graphics tab of the print driver. Contact customer support if this failure is repeated.
016-756	Printing in the prohibited time. Contact your system administrator.
016-757	The account is not registered. Contact your system administrator.
016-758	The function cannot be used. Contact your system administrator.
016-759	Printable page limit is exceeded. Contact your system administrator.
016-764	An error occurs when the printer connected to the SMTP server. Tap C lose, or wait for 60 seconds for the printer to recover. Check the SMTP server settings or contact the SMTP server administrator.
016-765	The capacity of the SMTP server is not enough. Tap C lose, or wait for 60 seconds for the printer to recover. Contact the SMTP server administrator.

Status-Code	What you can do
016-766	The e-mail exceeds the SMTP server size restriction. Tap C lose, or wait for 60 seconds for the printer to recover. Contact the SMTP server administrator.
016-767	The e-mail address of the recipient is incorrect. Tap C lose, or wait for 60 seconds for the printer to recover. Check e-mail address, and then try scanning again.
016-768	The e-mail address of the sender is incorrect. Tap C lose, or wait for 60 seconds for the printer to recover. Check e-mail address, and then try scanning again.
016-786	A timeout error occurs when sending or receiving scanned data. Tap C lose, or wait for 60 seconds for the printer to recover. Check if the Ethernet cable is connected properly. If there is no problem with the Ethernet cable, contact server administrator.
016-790	Network connection error. IP address is not determined. Tap C lose, or wait for 60 seconds for the printer to recover. Check if the Ethernet cable is connected properly. If there is no problem with the Ethernet cable, contact server administrator.
016-799	Tap C lose to clear the message and cancel the current print job. Check the configuration of the printer on the print driver.
016-930	The device is not supported. Remove it from the front USB port.
016-931	The USB hub is not supported. Remove it from the front USB port.
016-985	Tap C lose, or wait for 60 seconds for the printer to recover. Retry scanning by lowering the resolution setting or changing the file format of the scanned data.
016-986	
024-965	Make sure that the size and type specified in the tray settings matches the size and type of paper loaded in the tray.
024-966	
024-969	
026-721	Check your USB flash drive: <ul style="list-style-type: none"> • If the file size or the number of files exceeds the limit of your USB flash drive. • If your USB flash drive is not write-protected.
027-446	Change the IPv6 address to avoid duplication. Turn off the printer, and then turn it on again.
027-452	Change the IPv4 address to avoid duplication. Turn off the printer, and then turn it on again.
031-521	SMB server login error. Tap C lose, or wait for 60 seconds for the printer to recover. Check login-able computer with your system administrator.
031-522	SMB server login error. Tap C lose, or wait for 60 seconds for the printer to recover. Check if login name (domain name and user name) and password are correct.
031-523	Invalid SMB share name. Tap C lose, or wait for 60 seconds for the printer to recover. Check the share name you specified.
031-524	Exceeded the SMB server user account limit. Tap C lose, or wait for 60 seconds for the printer to recover. Check the number of users who use the server at the same time is not exceeding the upper limit.
031-525	SMB destination client permission error. Tap C lose, or wait for 60 seconds for the printer to recover. Check if the specified user can read and write file at the storage location.
031-526	Unable to resolve the SMB server hostname. Tap C lose, or wait for 60 seconds for the printer to recover. Check DNS connection, or check if forwarding destination server is registered with DNS.

Status-Code	What you can do
031-527	Unable to resolve the SMB server hostname. Tap Close , or wait for 60 seconds for the printer to recover. Set DNS address, or set forwarding destination server address as IP address.
031-528	Unable to connect to the SMB server. Tap Close , or wait for 60 seconds for the printer to recover. Check if the printer can communicate via network with the forwarding destination SMB server. For example, check the following: <ul style="list-style-type: none"> • Connection of an Ethernet cable • TCP/IP setting • Communication with Port 137 (UDP), 138 (UDP), and 139 (TCP). For communication beyond the subnet, contact your system administrator.
031-529	SMB server login error. Password is invalid. Tap Close , or wait for 60 seconds for the printer to recover. Check if password is correct.
031-530	The SMB share folder was not found on the specified SMB server. Tap Close , or wait for 60 seconds for the printer to recover. Check the following: <ul style="list-style-type: none"> • Check if the storage location is correct. • Check if the file name you specified can be used when creating a file on the SMB server. • Have your system administrator check the DFS setting, and then directly specify the SMB server, share name, and storage location according to the checked settings.
031-531	Unable to get a file or folder name on the SMB server. Tap Close , or wait for 60 seconds for the printer to recover. Check access right of the folder you specified.
031-532	SMB scan file or folder name limit exceeded. Tap Close , or wait for 60 seconds for the printer to recover. Change file name and forwarding destination folder, or move or delete file in forwarding destination folder.
031-533	Unable to write a file in the SMB server. Tap Close , or wait for 60 seconds for the printer to recover. Check the following: <ul style="list-style-type: none"> • If the file name you specified is not used by other users. • If file or folder that has the same name as the one you specified already exists.
031-534	Unable to create a folder on the SMB server. Tap Close , or wait for 60 seconds for the printer to recover. Check the following: <ul style="list-style-type: none"> • If the file name you specified is not used by other users. • If file or folder that has the same name as the one you specified already exists.
031-535	Unable to delete a file on the SMB server. Tap Close , or wait for 60 seconds for the printer to recover. Check if other user is not operating file in storage location you specified.
031-536	Unable to delete a folder on the SMB server. Tap Close , or wait for 60 seconds for the printer to recover. Check if other user is not operating file in storage location you specified.
031-537	SMB server capacity exceeded. Tap Close , or wait for 60 seconds for the printer to recover. Check if the storage location has free space.
031-539	The specified SMB server is invalid. Tap Close , or wait for 60 seconds for the printer to recover. Check if the server name is correct.
031-540	The specified domain name is invalid. Tap Close , or wait for 60 seconds for the printer to recover. Check if the domain name is correct.

Status-Code	What you can do
031-541	Invalid user name specified for SMB server. Tap C lose, or wait for 60 seconds for the printer to recover. Check if login name (user name) is correct.
031-542	TCP/IP not initialized. Tap C lose, or wait for 60 seconds for the printer to recover. Wait for a while and try the same operation again. Contact the customer support if this failure is repeated.
031-543	SMB server login error. Tap C lose, or wait for 60 seconds for the printer to recover. Check login permitted time with your system administrator.
031-544	SMB server login error. Password is expired. Tap C lose, or wait for 60 seconds for the printer to recover. Check the password valid period with your system administrator.
031-545	SMB server login error. Password is to be changed. Tap C lose, or wait for 60 seconds for the printer to recover. Check necessity of password change with your system administrator.
031-546	SMB server login error. Invalid user is specified. Tap C lose, or wait for 60 seconds for the printer to recover. Contact your system administrator for the destination server settings.
031-547	SMB server login error. User restricted from accessing the SMB server is specified. Tap C lose, or wait for 60 seconds for the printer to recover. Contact your system administrator for the destination server settings.
031-548	SMB server login error. Logon time of SMB destination is expired. Tap C lose, or wait for 60 seconds for the printer to recover. Contact your system administrator for the destination server settings.
031-549	SMB server login error. Specified user is restricted, and a null password is prohibited. Tap C lose, or wait for 60 seconds for the printer to recover. On server security settings, check access permission of null password user.
031-550	Append command not supported by SMB server. Tap C lose, or wait for 60 seconds for the printer to recover. Check if the printer has access rights to append data to the SMB server. Check if server supports SMB append command.
031-551	Rename command not supported by SMB server. Tap C lose, or wait for 60 seconds for the printer to recover. Check if the printer has access rights to rename data on the SMB server. Check if server supports SMB append command.
031-552	Job canceled. Tap C lose, or wait for 60 seconds for the printer to recover. Change the file name that already exists on FTP server.
031-574	Unable to resolve the FTP server hostname. Tap C lose, or wait for 60 seconds for the printer to recover. Check DNS connection, or check if name of forwarding destination server is registered with DNS.
031-575	Unable to resolve the FTP server hostname. Tap C lose, or wait for 60 seconds for the printer to recover. Set DNS address, or set forwarding destination server address as IP address.
031-576	Unable to connect to the FTP server. Tap C lose, or wait for 60 seconds for the printer to recover. Check if the printer communicates with forwarding destination FTP server. For example, check connection of Ethernet cable and if the IP address of the server is correct.
031-578	FTP server login error. Tap C lose, or wait for 60 seconds for the printer to recover. Check if the login name (user name) and password are correct.
031-579	Invalid FTP subdirectory path. Tap C lose, or wait for 60 seconds for the printer to recover. Check if the storage location is correct.

Status-Code	What you can do
031-580	Failed to obtain a file or folder name of the FTP server. Tap C lose, or wait for 60 seconds for the printer to recover. Check the server access right.
031-581	FTP scan file or folder name limit exceeded. Tap C lose, or wait for 60 seconds for the printer to recover. Change the file name and forwarding destination folder, or move or delete file in forwarding destination folder.
031-582	Unable to write a scan file to the FTP server location. Tap C lose, or wait for 60 seconds for the printer to recover. Check if the file name you specified can be created in storage location. Check if the storage location has free space.
031-584	Unable to create a scan folder on the FTP server. Tap C lose, or wait for 60 seconds for the printer to recover. Check if the folder name you specified can be created in storage location. Check if the folder that has the same name as the one you specified already exists.
031-585	Unable to delete a file on the FTP server. DEL command failure. Tap C lose, or wait for 60 seconds for the printer to recover. Check server access rights.
031-587	Unable to delete a folder on the FTP server. RMD command failure. Tap C lose, or wait for 60 seconds for the printer to recover. Check server access rights.
031-588	Unable to write a file to the FTP server location. Tap C lose, or wait for 60 seconds for the printer to recover. Check if storage location has free space.
031-590	Job canceled. Tap C lose, or wait for 60 seconds for the printer to recover. Change the file name that already exists on FTP server.
031-594	FTP transfer type error. TYPE command failure. Tap C lose, or wait for 60 seconds for the printer to recover. Try the same operation again. Contact customer support if this failure is repeated.
031-595	FTP data port error. PORT command failure. Tap C lose, or wait for 60 seconds for the printer to recover. Try the same operation again. Contact customer support if this failure is repeated.
031-598	FTP append data error. APPE command failure. Tap C lose, or wait for 60 seconds for the printer to recover. Check if the printer has access rights to append data to the FTP server. Check if server supports FTP append command.
031-599	FTP rename file error. RNFR command failure. Tap C lose, or wait for 60 seconds for the printer to recover. Check if the printer has access rights to rename data on the FTP server. Check if server supports FTP rename command.
033-513	Tap C lose, or wait for 60 seconds for the printer to recover. Try the following: <ul style="list-style-type: none"> • Print the received fax, or wait for a while until sending a fax is completed. • Print the fax job stored using the Secure Receive feature. See "Receiving Faxes in the Secure Receiving Mode."
033-527	Tap C lose, or wait for 60 seconds for the printer to recover. Wait for a while until the printer is not busy, and then try again.
033-528	Tap C lose, or wait for 60 seconds for the printer to recover. Check the available time period for the FAX, and then try again.
033-762	Tap C lose, or wait for 60 seconds for the printer to recover. The printer rejects faxes sent from unwanted numbers. See "Junk Fax Setup."

Status-Code	What you can do
033-776	The size of the fax document data is too large and may have exceeded the space available in memory. Lower the scan resolution rate and then try scanning again. See "Resolution."
033-788	Tap C lose, or wait for 60 seconds for the printer to recover. Try the following: <ul style="list-style-type: none"> • Remove the received fax, or wait for a while until sending a fax is completed. • Print the fax job stored using the Secure Receive feature. See "Receiving Faxes in the Secure Receiving Mode."
034-515	Tap C lose, or wait for 60 seconds for the printer to recover. Try the following: <ul style="list-style-type: none"> • Try the same operation. • Check the printer or remote machine if the memory is full.
034-791	Tap C lose, or wait for 60 seconds for the printer to recover. Check if the telephone cable is connected properly. If the line connection is correct, check the following: <ul style="list-style-type: none"> • If Tone/Pulse setting is correct. See "Tone / Pulse." If Tone/Pulse setting is correct, check the following: <ul style="list-style-type: none"> • If the remote machine can receive a fax.
035-701	Tap C lose, or wait for 60 seconds for the printer to recover. Check the following: <ul style="list-style-type: none"> • Status of the remote machine • Tone/Pulse setting See "Tone / Pulse."
035-708	Tap C lose, or wait for 60 seconds for the printer to recover. Try the following: <ul style="list-style-type: none"> • Try the same operation. • Reduce the modem speed. See "Modem Speed."
035-717	Tap C lose, or wait for 60 seconds for the printer to recover. Reduce the modem speed. See "Modem Speed."
035-718	Tap C lose, or wait for 60 seconds for the printer to recover. Check the status of the remote machine.
035-720	Tap C lose, or wait for 60 seconds for the printer to recover. Check the features of the remote machine.
035-781	Tap C lose, or wait for 60 seconds for the printer to recover. Check if the remote machine is busy.
042-700	Wait for a while until the printer cools down. Contact customer support if this failure is repeated.
077-301	Close the right side cover.
077-302	Close the rear cover.
091-911	Remove the used waste toner box, and then install a new toner box. See "Replacing the Waste Toner Box."
091-914	Reinsert the drum cartridge of the specified color. If the message remains, replace the cartridge. See "Replacing the Drum Cartridges."
091-917	
091-918	
091-919	

Status-Code	What you can do
091-921	Make sure that the drum cartridge of the specified color is fully installed.
091-922	See "Replacing the Drum Cartridges."
091-923	
091-924	
091-931	Remove the used drum cartridge of the specified color, and then install a new cartridge. See "Replacing the Drum Cartridges."
091-932	
091-933	
091-934	
091-942	Reinsert the drum cartridge of the specified color. If the message remains, replace the cartridge. See "Replacing the Drum Cartridges."
091-943	
091-944	
091-945	
091-960	Remove the unsupported drum cartridge of the specified color, and then install a supported drum cartridge. See "Replacing the Drum Cartridges."
091-961	
091-962	
091-963	
093-930	Remove the used toner cartridge of the specified color, and then install a new cartridge. See "Replacing the Drum Cartridges."
093-931	
093-932	
093-933	
093-960	Remove the unsupported toner cartridge of the specified color, and then install a supported toner cartridge. See "Replacing the Drum Cartridges."
093-961	
093-962	
093-963	
093-970	Make sure that the toner cartridge of the specified color is fully installed.
093-971	See "Replacing the Drum Cartridges."
093-972	
093-973	
116-722	Tap Close for the printer to recover. Check the Web Services on Devices (WSD) scan address and the destination computer, and then try scanning again. Contact your system administrator.
193-700	When genuine toner cartridges are installed, change the Non-Dell Toner setting to disable using Dell Printer Configuration Web Tool.

Error Messages

Message	Cause	Action
Cannot access the LDAP address book. Contact your network administrator if this error persists.	The printer fails to authenticate against an authentication server.	Check the server settings. If the error persists, contact your network administrator.
	An SSL/TLS authentication error on connection to the LDAP server; an SSL/TLS authentication internal error occurs.	If the error persists, contact your network administrator.

Message	Cause	Action
Cannot access the LDAP address book. The LDAPS server certificate is not correct.	An SSL/TLS authentication error on connection to the LDAP server; the server certificate data is incorrect.	Check the root certificate of the LDAP server SSL/TLS certificate on the printer.
Cannot access the LDAP address book. The LDAPS SSL/TLS client certificate is not set.	An SSL/TLS authentication error on connection to the LDAP server; the LDAP server cannot acquire an SSL/TLS client certificate.	Check that an SSL/TLS client certificate is correctly imported into the printer.
Cannot access the LDAP address book. The server names of LDAPS and the SSL/TLS certificate do not match.	An SSL/TLS authentication error on connection to the LDAP server; the server certificate for the LDAP server is not yet valid or has expired.	Change to a valid LDAP server SSL/TLS certificate.
	An SSL/TLS authentication error on connection to the LDAP server; the LDAP server name does not match the certificate.	Set the LDAP server address on the printer to match the address on the LDAP server SSL/TLS certificate.
Cannot access the LDAP address book. The time settings of the printer and the Kerberos server do not match.	The printer and the Kerberos server clocks have a time difference that exceeds the Kerberos server clock skew value.	Check that the printer and the Kerberos server clocks have the correct time.
Cannot connect to server. Check the server settings.	The specified server settings such as IP address and realm/domain name are incorrect.	Make sure that the correct IP address/host name, port number, realm/domain name, and search directory root are specified in IP Address / Host Name & Port, Domain Name, and Search Directory Root on Dell Printer Configuration Web Tool. See "Kerberos Server" and "LDAP Server."
	The LDAP or Kerberos version on the server is not compatible with the printer.	Contact your network administrator.
	The server is down.	Check that the server is functioning normally.
Change the server settings and check the server connection.	The printer cannot search for destinations within the specified time.	Increase the time setting for Search Time-Out on Dell Printer Configuration Web Tool. See "Authentication System" and "LDAP Server."
		Check that the printer and the server are properly connected with an Ethernet cable. If there are not any problems with the connection and the error persists, the server settings may have been changed. Contact your network administrator.
Check the authentication settings.	The login name and password for access to an authentication server are incorrect.	Make sure that the correct login name and password are specified in Login Name and Password on Dell Printer Configuration Web Tool. See "Kerberos Server" and "LDAP Server."

Message	Cause	Action
Invalid search characters or LDAP User Mapping incorrectly configured for Configuration Web Tool.	The LDAP search filter fails to work properly as special characters are used in your search condition or on the LDAP User Mapping page on Dell Printer Configuration Web Tool.	Remove special characters, and then search again. See "LDAP User Mapping."
Network connection is not ready. Try again later.	You have started searching for destinations before the IP address is set for the printer.	Wait for a while, and then search again.
No attribute or invalid name. Check address info. on server.	The address information on the server contain incorrect data or are insufficient to get your search request.	Check the address information registered on the server or contact your network administrator.
No Entries.	The printer cannot find any destinations that meet your search condition.	Tap OK to return to the search screen, and then specify a new condition to search again.
Search Directory Root incorrectly configured for Configuration Web Tool.	The directories that do not exist in the LDAP server are specified or an invalid DN syntax is specified.	Make sure that valid values are specified in Search Directory Root on Dell Printer Configuration Web Tool. See "LDAP Server." Specify the origin of the search with the correct DN syntax, as shown in the following example: dc=w2008ad,dc=addressbook,dc=net
Too many search results. Only a maximum of 50 search scan be displayed. Please refine your search if needed.	The number of search results has exceeded the maximum number the printer can display.	Tap Close to display the search results. If you cannot find your desired destination on the result list, specify a new condition to search again.
Authentication server access Error 016-530 Restart the printer.	Some other error occurs regarding the LDAP server address book.	Turn off the printer, and then turn it on again. If the error persists, contact your network administrator.

Specifications

Operating System Compatibility

Supported Operating Systems	Microsoft® Windows Vista® (32bit) Microsoft® Windows Vista® (64bit) Microsoft® Windows Server® 2008 (32bit) Microsoft® Windows Server® 2008 (64bit) Microsoft® Windows® 7 (32bit) Microsoft® Windows® 7 (64bit) Microsoft® Windows Server® 2008 R2 Microsoft® Windows® 8 (32bit) Microsoft® Windows® 8 (64bit) Microsoft® Windows® RT Microsoft® Windows Server® 2012 Microsoft® Windows® 8.1 (32bit) Microsoft® Windows® 8.1 (64bit) Microsoft® Windows® RT 8.1 Microsoft® Windows Server® 2012 R2 Microsoft® Windows® 10 (32 bit) Microsoft® Windows® 10 (64 bit) Mac OS X 10.7 OS X 10.8 OS X 10.9 OS X 10.10 Red Hat Enterprise Linux® 6 Desktop (64bit) Red Hat Enterprise Linux 6 Desktop (32bit) SUSE® Linux Enterprise Desktop 11 (64bit) SUSE® Linux Enterprise Desktop 11 (32bit) Ubuntu 12.04 LTS
------------------------------------	--------------------------------------------------------------------------------------------------------------------------------------------------------------------------------------------------------------------------------------------------------------------------------------------------------------------------------------------------------------------------------------------------------------------------------------------------------------------------------------------------------------------------------------------------------------------------------------------------------------------------------------------------------------------------------------------------------------------------------------------------------------------------------------------------------------------------------------------------------------------------------------------

Power Supply

Rated voltage	220 – 240 VAC	110 – 127 VAC
Frequency	50/60 Hz	50/60 Hz
Current	6 A	12 A
Power consumption	51.7 W (Ready) 20.0 W (Sleep) 2.5 W (Dell H625cdw/Dell H825cdw)(Deep Sleep*) 1.8 W (Dell S2825cdn)(Deep Sleep*) 0.3 W (Offline)	

* This condition is equivalent to Network standby mode, the power consumption in this condition is that all wired network ports are connected and all wireless network ports are activated.

Dimensions

Height	500 mm (19.69 inches)
Width	429 mm (16.89 inches)
Depth	503.5 mm (19.82 inches)

Weight

Weight	29.2kg (64.38lb)*
---------------	-------------------

* includes toner cartridges and drum cartridges.

Memory

Memory	1 GB
Speed	DDR3-1066MHz

Page Description Language (PDL)/Emulation, Operating System, and Interface

PDL/Emulations	PCL 6, PCL5e, PostScript 3 Compatible, HBPL
Operating systems	Microsoft® Windows Vista® (32bit) Microsoft® Windows Vista® (64bit) Microsoft® Windows Server® 2008 (32bit) Microsoft® Windows Server® 2008 (64bit) Microsoft® Windows® 7 (32bit) Microsoft® Windows® 7 (64bit) Microsoft® Windows Server® 2008 R2 Microsoft® Windows® 8 (32bit) Microsoft® Windows® 8 (64bit) Microsoft® Windows Server® 2012 Microsoft® Windows® 8.1 (32bit) Microsoft® Windows® 8.1 (64bit) Microsoft® Windows Server® 2012 R2 Microsoft® Windows® 10 (32 bit) Microsoft® Windows® 10 (64 bit) Mac OS X 10.7 OS X 10.8 OS X 10.9 OS X 10.10 Red Hat Enterprise Linux® 6 Desktop (64bit) Red Hat Enterprise Linux 6 Desktop (32bit) SUSE® Linux Enterprise Desktop 11 (64bit) SUSE® Linux Enterprise Desktop 11 (32bit) Ubuntu 12.04 LTS

Interfaces	Standard local: USB 2.0
	Standard wired network: 10Base-T/100Base-TX/1000Base-T Ethernet
	Standard wireless network*: IEEE 802.11b/802.11g/802.11n

* Wireless network is available on Dell H625cdw and Dell H825cdw.

Management Information Base (MIB) Compatibility

MIB is a database containing information about network devices such as adapters, bridges, routers, or computers. This information helps network administrators manage the network and analyze performance, traffic, errors, and so on. Your printer complies with standard industry MIB specifications, allowing the printer to be recognized and managed by various printer and network management software systems.

Environment

Operation

Temperature	10 – 32°C (50 – 89.6°F)
Relative humidity	10 – 85% RH (no condensation)

Print Quality Guarantee

Temperature	15 – 28°C (59 – 82.4°F)
Relative humidity	20 – 70% RH (no condensation)

Storage

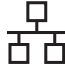


Temperature	-20 – 40°C (0 – 104°F)
Storage humidity	5 – 85% RH (no condensation)

Altitude

Operating	Up to 3,100 m (10,170 feet)
Storage	Up to 3,100 m (10,170 feet)

Cables

Your interconnection cable must meet the following requirements:

Ethernet	10Base-T/100Base-TX/1000Base-T	
USB	USB 2.0	
Phone connector	RJ11	PHONE 

Wall jack connector RJ45

LINE



Print Specifications

Print resolution	600 × 600 dpi
Print speed	Simplex: 23.8 ppm (A4), 25ppm (Letter) or less (Dell H625cdw) 28.6 ppm (A4), 30 ppm (Letter) or less (Dell H825cdw/Dell S2825cdn) Duplex: 15.7 ppm (A4), 16.5 ppm (Letter) or less (Dell H625cdw) 18.8 ppm (A4), 19.8 ppm (Letter) or less (Dell H825cdw/Dell S2825cdn)
Paper size	A4, B5, A5, B6, A6, Letter, Executive, Folio (8.5 x 13"), Legal, Statement, Envelope #10, Monarch, DL, C5, Custom*

* Width:
76.2 mm (3 inches) to 215.9 mm (8.5 inches)
Length:
127 mm (5 inches) to 355.6 mm (14 inches) for MPF
148 mm (5.8 inches) to 355.6 mm (14 inches) for Tray1
190.5 mm (7.5 inches) to 355.6 mm (14 inches) for the optional 550-sheet feeder

Copy Specifications

Copy resolution	Optical: 600 × 400 dpi
Copy speed	<ul style="list-style-type: none">• Dell H825cdw/Dell S2825cdn Color 14 cpm (A4)/15 cpm (Letter) or less Black & White 29 cpm (A4)/30 cpm (Letter) or less (When using the document glass to make sequential copies of a document with pages scanned one by one.) Color Simplex: 17 cpm (A4)/17 cpm (Letter) or less Black & White Simplex: 19 cpm (A4)/20 cpm (Letter) or less Color Duplex: 8 cpm (A4)/8 cpm (Letter) or less Black & White Duplex: 19 cpm (A4)/20 cpm (Letter) or less (When using the Duplex Automatic Document Feeder (DADF) to make sequential copies of multiple documents.)• Dell H625cdw Color 14 cpm (A4)/15 cpm (Letter) or less Black & White 24 cpm (A4)/25 cpm (Letter) or less (When using the document glass to make sequential copies of a document with pages scanned one by one.) Color Simplex: 17 cpm (A4)/17 cpm (Letter) or less Black & White Simplex: 19 cpm (A4)/20 cpm (Letter) or less Color Duplex: 8 cpm (A4)/8 cpm (Letter) or less Black & White Duplex: 19 cpm (A4)/20 cpm (Letter) or less (When using the Duplex Automatic Document Feeder (DADF) to make sequential copies of multiple documents.)
Paper Size	A4, B5, A5, B6, A6, Letter, Executive, Folio (8.5 x 13"), Legal, Statement, Envelope #10, Monarch, DL, C5, Custom*

Zoom rate	Document glass: 25 – 400% DADF: 25 – 400%
Multiple copies	1 – 99
Copy mode (=Original type)	Text, Text & Photo, Photo
Scanning method	Document glass: Document-fixed flatbed scanning DADF: Carriage-fixed, document-feeding scanning (2-side scanning)

* Width:
76.2 mm (3 inches) to 215.9 mm (8.5 inches)
Length:
127 mm (5 inches) to 355.6 mm (14 inches) for MPF
148 mm (5.8 inches) to 355.6 mm (14 inches) for Tray1
190.5 mm (7.5 inches) to 355.6 mm (14 inches) for the optional 550-sheet feeder

Scanner Specifications

Compatibility	TWAIN, TWAIN-Net, Windows® Image Acquisition (WIA) ^{*1} , Scan Service for Web Services on Devices (WSD) ^{*2}
Scan resolution	Optical: 600 × 400 dpi, 600 × 600 dpi Enhanced (Pull Scan): <ul style="list-style-type: none"> • TWAIN – 50 × 50 to 9,600 × 9,600 dots/25.4 mm • WIA^{*3} – 75/100/150/200/300/400/600 dots/25.4 mm Enhanced (Push Scan): 200/300 (Default)/400/600 dots/25.4 mm
Color bit depth	24 bit
Mono bit depth	1 bit for Line art 8 bit for Gray scale
Effective scanning length	Document glass: 297 mm DADF: 355.6 mm
Effective scanning width	215.9 mm
Scan speed (Text mode)	Simplex: Color 605 µS/line (600 dpi) Black & White 282 µS/line (600 dpi) Duplex: Color 1210 µS/line (600 dpi) Black & White 564 µS/line (600 dpi)

*1 Windows® operating system only

*2 Windows Vista®, Windows® 7, Windows® 8, and Windows® 10 only

*3 WIA stands for Windows® Image Acquisition.

Fax Specifications

Compatibility	ITU-T T.30
Applicable line	Public Switched Telephone Network (PSTN), Private Branch Exchange (PBX), Leased line (3.4 KHz/2-wire)
Data coding	1bit/JBIG/MMR/MR/MH
Max modem speed	33.6 Kbps
Transmission speed	Approx. 3 seconds/page*
Scanning speed	Document glass: approx. 3 seconds/A4 (at standard fax resolution mode) DADF: approx. 5 seconds/Letter (at standard fax resolution mode), 7.5 seconds/Letter (at fine fax resolution mode)

Maximum document length	Document glass: 297 mm DADF: 355.6 mm
Paper size	Letter, A4 (depending on a country)
Resolution	Standard: R8 × 3.85 l/mm Fine: R8 × 7.7 l/mm Super Fine: 400 × 400 dpi Photo: R8 × 7.7 l/mm
User memory	4 MB
Halftone	256 levels

* Transmission time applies to memory transmission of text data scanned in Standard resolution with the Error Correction Mode (ECM) using only ITU-T No.1 Chart.

Wireless Connection Specifications

NOTE:

- Wireless connection is available on Dell H625cdw and Dell H825cdw.

Connectivity technology	Wireless
Compliant standards	IEEE 802.11b, 802.11g, and 802.11n
Bandwidth	2.4 GHz
Data transfer rate	IEEE 802.11n: 65 Mbps IEEE 802.11g: 54, 48, 36, 24, 18, 12, 9, and 6 Mbps IEEE 802.11b: 11, 5.5, 2, and 1 Mbps
Security	64 (40-bit key)/128 (104-bit key) WEP, WPA-PSK (AES), WPA2-PSK (AES), WPA-Enterprise (AES) ^{*1} , WPA2-Enterprise (AES) ^{*1}
Wi-Fi Protected Setup (WPS)^{*2}	Push-Button Configuration (PBC), Personal Identification Number (PIN)
Wireless mode	Infrastructure, Ad-hoc, Wi-Fi Direct

^{*1} EAP method supports PEAPv0, EAP-TLS, EAP-TTLS PAP, and EAP-TTLS CHAP.

^{*2} WPS 2.0 compliant.

Maintaining Your Printer

Maintaining Your Printer

You need to complete certain tasks to maintain optimum print quality.

Checking the Status of Supplies

If the printer is connected to the network, Dell Printer Configuration Web Tool can provide instant feedback on remaining toner levels. Enter the printer's IP address in your web browser to view this information. You can also set the printer to send you an e-mail alert when the printer needs supplies.

On the touch panel, you can also check the following:

- Any supply or maintenance items that require attention replacing (However, the printer can only display information about one item at a time).
- Amount of toner remaining in each toner cartridge.

NOTE:

- If the printer is connected to a computer with Windows® 7 or later, you can also check the status of supplies from Dell Printer Hub or Dell Printer Management Tool. For details, see the FAQs on Dell Printer Hub or Dell Printer Management Tool.

E-mail Alert Setting

- 1 Start Dell Printer Configuration Web Tool.
See "Starting Dell Printer Configuration Web Tool."
- 2 Click **Print Server Settings** link.
- 3 Under **E-Mail Server Settings**, enter the **Primary SMTP Gateway, Reply Address**.
- 4 Under **E-Mail Alert Settings**, enter your e-mail address or an e-mail address of a key operator.
- 5 Click **Apply New Settings**.

NOTE:

- **Connection pending until printer sends an alert** is displayed on the SMTP server until an error occurs.

Conserving Supplies

You can change several settings in the print driver to conserve toner cartridge and paper.

Supply	Setting	Function
Toner cartridge	Toner Saver in the Others tab	Select the check box to enable the print mode that uses less toner. The image quality is lower when this feature is used.
Print media	Multiple Up in the Layout tab	The printer prints two or more pages on one side of a sheet.
Print media	Duplex in the General tab	The printer prints on both sides of a sheet of paper.

Ordering Supplies

You can order toner cartridges, drum cartridges, and waste toner box online or by phone from Dell.

NOTE:

- For OS X, you can order consumables from the Status Monitor Widget. See "Using the Status Monitor Widget for Macintosh."
- For Linux, you can order consumables from the Status Monitor Console. See "Using the Status Monitor Console for Linux."

Using Dell Printer Configuration Web Tool

- 1 Start Dell Printer Configuration Web Tool.
See "Starting Dell Printer Configuration Web Tool."
- 2 Click the **Order Supplies at:**.

Using Dell Printer Hub or Dell Printer Management Tool

The following procedure uses Windows® 7/Windows® 10 as an example.

- 1 For Windows® 7:
Click **Start** → **All Programs** → **Dell Printers** → **Dell Printer Hub** or **Dell Printer Management Tool**.
For Windows® 10:
Click the Start button → **Dell Printer Hub** or **Dell Printer Management Tool**.
- 2 For Dell Printer Hub, select the printer from **My Printers**.
For Dell Printer Management Tool, select the printer displayed by default, or another printer from the drop-down list on the upper-right corner of the home screen.
- 3 Click **Supplies**.
- 4 Order consumables either from the web or phone.
If ordering from the web:
 - a Select your printer type and printer name.
 - b Click **Next**.If ordering by phone:
Call the number that appears on the top-left corner of the window, or click **Contact Us**.
To ensure that you get the best service, have your Dell printer's Service Tag ready.
See "Express Service Code and Service Tag."

Storing Print Media

To avoid potential paper feeding problems and uneven print quality, there are several things you can do when storing print media:

- To achieve the best possible print quality, store print media in an environment where the temperature is approximately 21°C (70°F) and the relative humidity is 40 percent.
- Store cartons of print media on a pallet or shelf, rather than directly on the floor.

- If you store individual packages of print media out of the original carton, make sure that they rest on a flat surface so the edges do not buckle or curl.
- Do not place anything on top of the print media packages.

Storing Consumables

Store consumables in their original package until you need to use them. Do not store consumables in:

- Temperatures greater than 40°C (104°F)
- An environment with extreme changes in humidity or temperature
- Direct sunlight
- Dusty places
- A car for a long period of time
- An environment where corrosive gases are present
- A humid environment

Replacing the Toner Cartridges

WARNING:

- **Before replacing the toner cartridges, read and follow the safety instructions in the *Important Information*.**

Dell toner cartridges are available only through Dell. You can order cartridges online at www.dell.com/supplies or by phone. For details about how to order cartridges by phone, see "Contacting Dell."

It is recommended to use Dell toner cartridges for the printer. Dell does not provide warranty coverage for problems caused by using accessories, parts, or components not supplied by Dell.

WARNING:

- **Never throw a toner cartridge into an open flame. Remaining toner in the cartridge may catch fire or explode, causing burns and injuries.**

CAUTION:

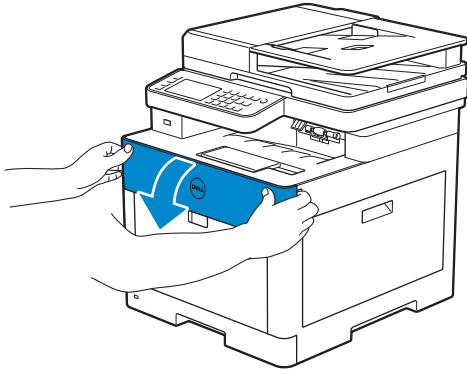
- **Do not shake the used toner cartridge. Shaking the cartridge may cause the toner to spill out.**

Removing the Toner Cartridge

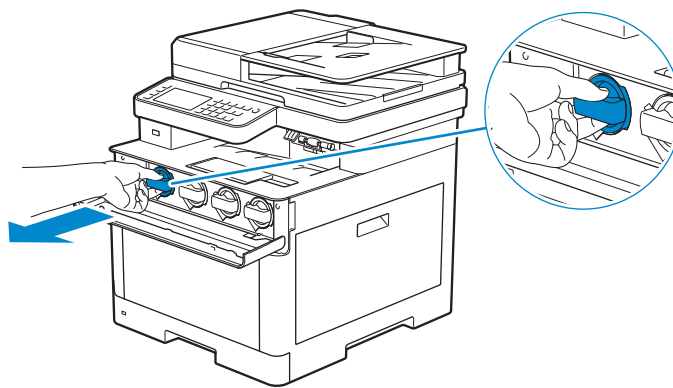
NOTE:

- Make sure to remove all the paper from the Multipurpose Feeder (MPF) and close the MPF cover before removing the toner cartridge.

- 1 Grasp the grips on both sides of the front cover, and then pull it down to open.



- 2 Grasp the handle on the toner cartridge that you want to replace, and then pull it out.

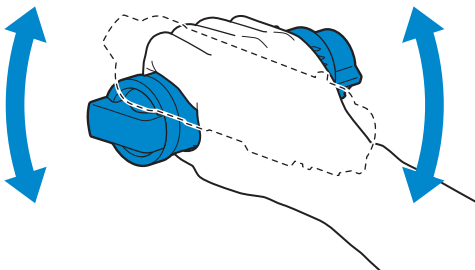


△ CAUTION:

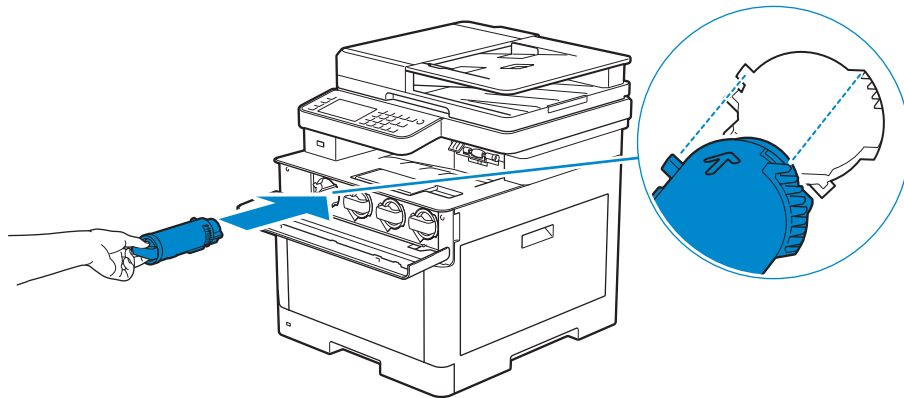
- Do not shake the used toner cartridge. Shaking the cartridge may cause the toner to spill out.

Installing a Toner Cartridge

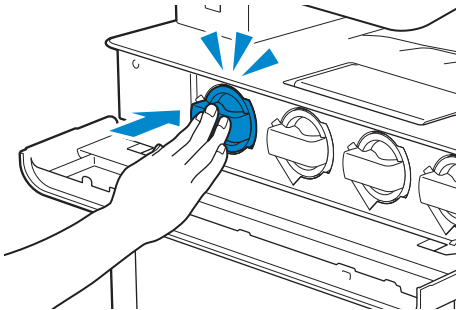
- 1 Unpack a new toner cartridge of the desired color.
- 2 Shake the new toner cartridge six times to distribute the toner evenly.



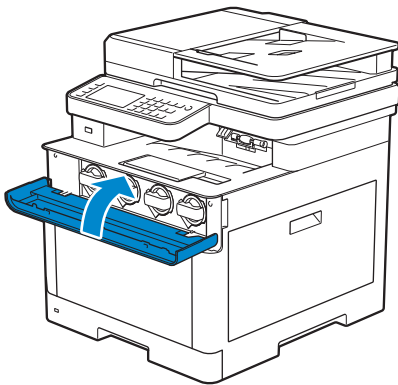
- 3 Align the toner cartridge to the notches on the associated cartridge slot, and then insert the toner cartridge.



- 4 Push the toner cartridge all the way in until you feel a click.



- 5 Close the front cover.



Replacing the Drum Cartridges



WARNING:

- Before replacing the drum cartridges, read and follow the safety instructions in the *Important Information*.

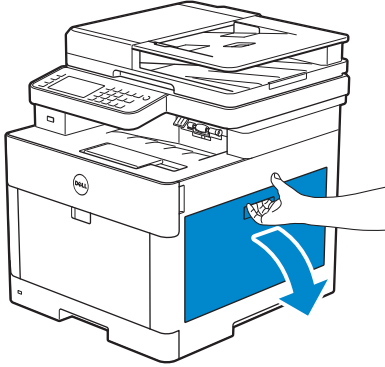


CAUTION:

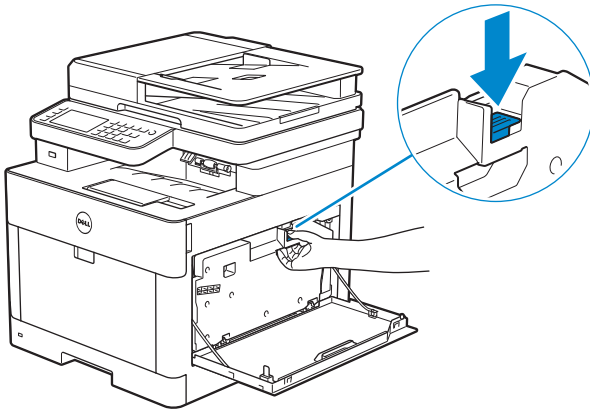
- Protect the drum cartridges against bright light. If the right side cover remains open for more than 3 minutes, print quality may deteriorate.

Removing the Drum Cartridge

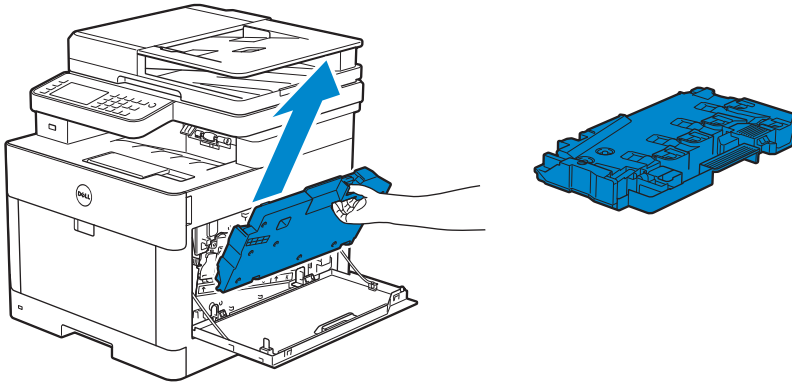
- 1 Open the right side cover.



- 2 Push down the latch to release the waste toner box from the printer.

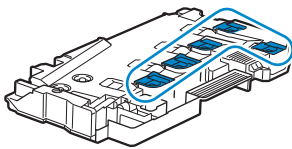


3 Gently pull the waste toner box upwards.



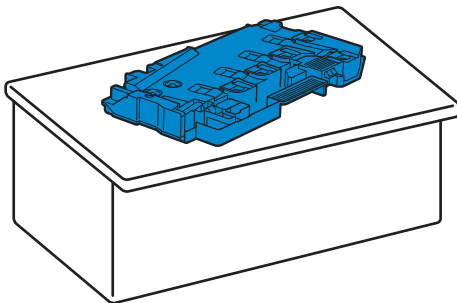
△ CAUTION:

- Take care not to drop the waste toner box while you are removing it.
- After removing the waste toner box, do not touch the parts shown in the illustration. Your hands may get dirty or stained with toner.



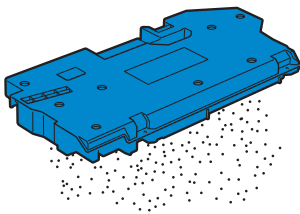
4 Place the waste toner box on a level surface.

Always keep the side that was attached to the printer facing up.

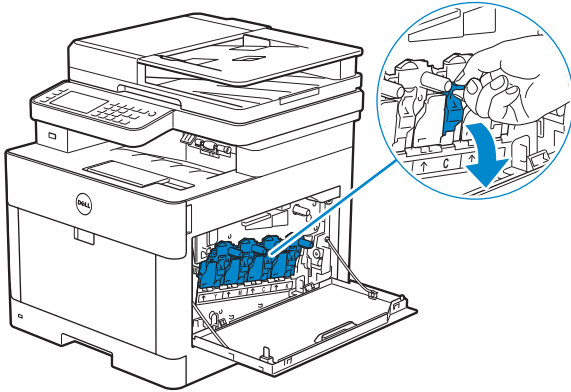


△ CAUTION:

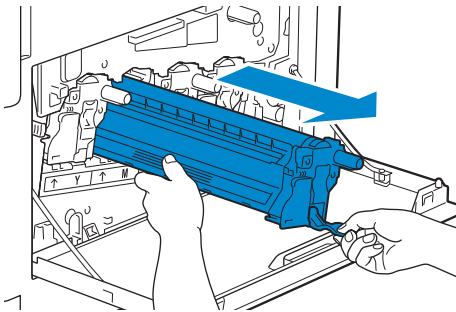
- Never let the side that was attached to the printer face down. This may cause the toner to spill out.



- 5 Pull down the tab on the drum cartridge that you want to replace.

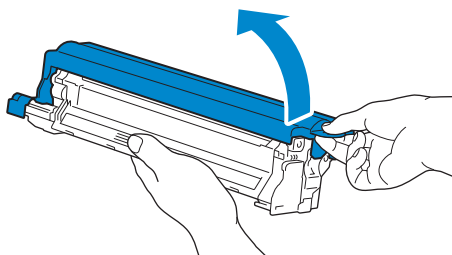


- 6 Pull the drum cartridge halfway out by pulling the tab, and then support the drum cartridge from underneath with your other hand and pull it out completely.

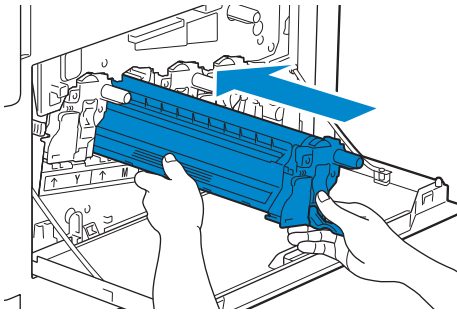


Installing a Drum Cartridge

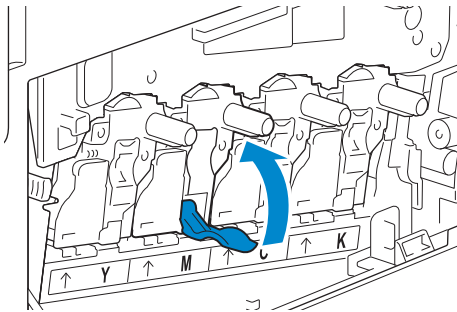
- 1 Unpack a new drum cartridge of the desired color.
- 2 Remove the orange protective cover from the drum cartridge.



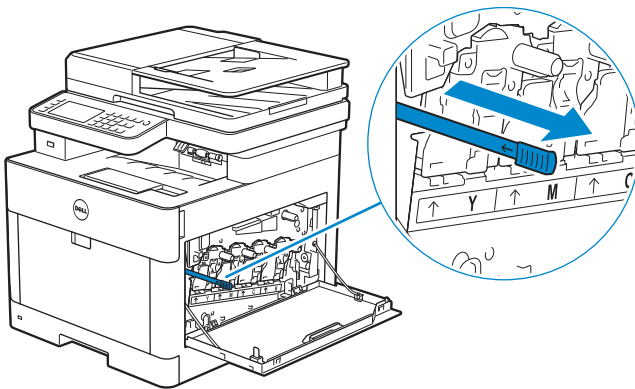
- 3 Insert the drum cartridge into the associated cartridge slot, and then push until it stops.



- 4 Pull up the tab on the drum cartridge.



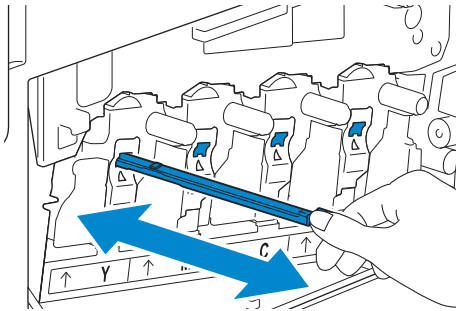
- 5 Pull out the cleaning rod from inside the printer.



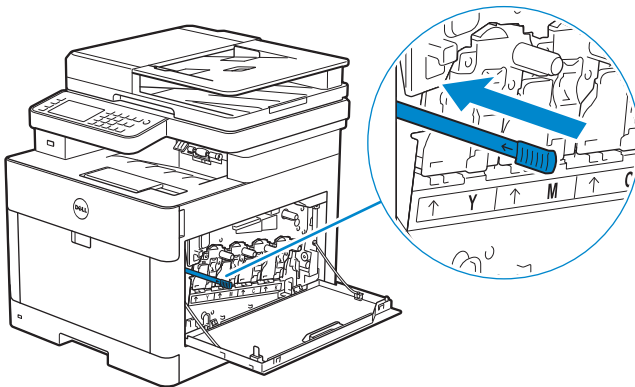
- 6 Insert the cleaning rod into the hole of the tab on the drum cartridge until it stops, and then pull it out.

 **NOTE:**

- Insert the cleaning rod with the pad side up.
- It is not necessary to move the cleaning rod back and forth repeatedly.

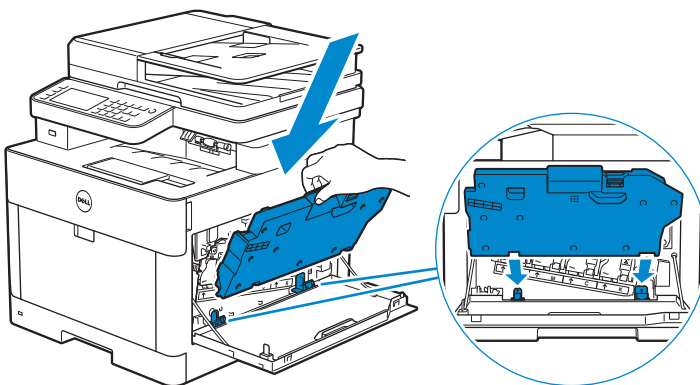


- 7 Return the cleaning rod to its original location.

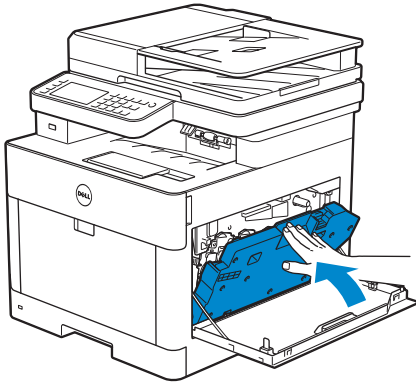


- 8 Reinsert the waste toner box.

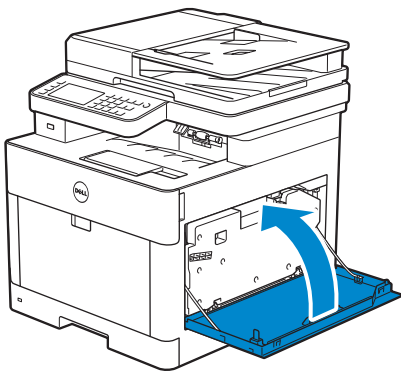
Make sure that the two indented parts on the bottom go into the brackets on the printer.



9 Push on the handle of the waste toner box until it clicks.



10 Close the right side cover.



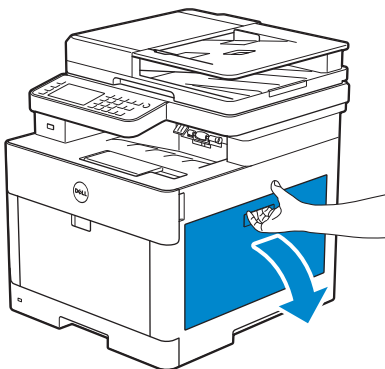
Replacing the Waste Toner Box

WARNING:

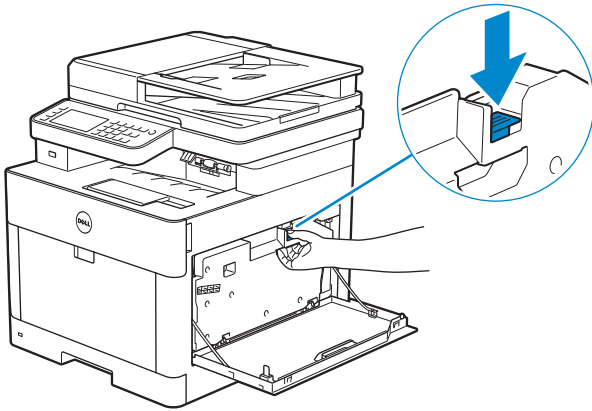
- Before replacing the waste toner box, read and follow the safety instructions in the *Important Information*.

Removing the Waste Toner Box

1 Open the right side cover.

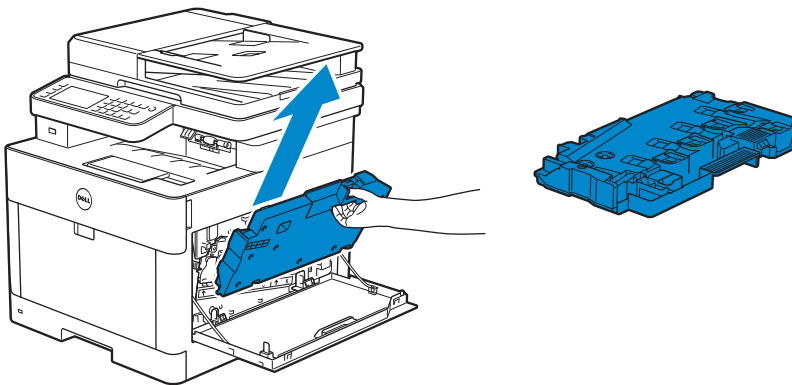


- 2 Push down the latch to release the waste toner box from the printer.



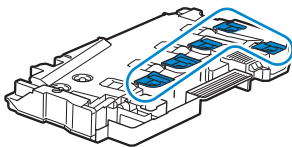
- 3 Gently pull the waste toner box upwards.

Make sure that the side that was attached to the printer is facing up so that the waste toner does not spill out.



△ CAUTION:

- Take care not to drop the waste toner box while you are removing it.
- After removing the waste toner box, do not touch the parts shown in the illustration. Toner can soil or stain your hands.

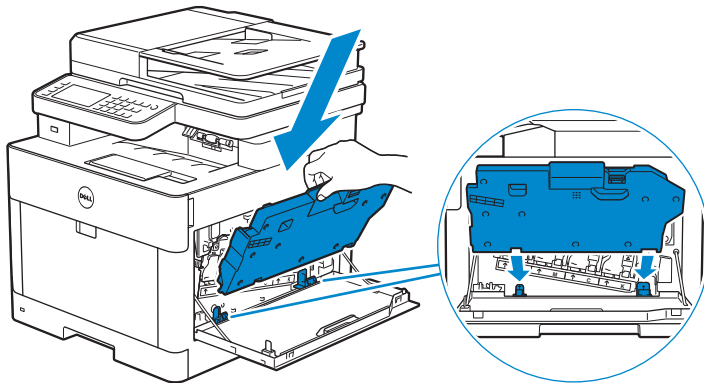


- 4 Insert the used waste toner box into the plastic bag that came with the new waste toner box and seal the bag.

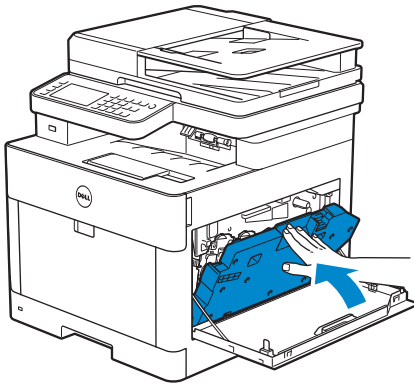
Installing a Waste Toner Box

- 1 Unpack a new waste toner box.
- 2 Insert the waste toner box.

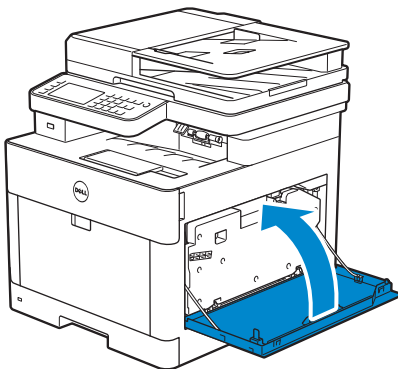
Make sure that the two indented parts on the bottom go into the brackets on the printer.



3 Push on the handle of the waste toner box until it clicks.



4 Close the right side cover.



Cleaning Inside the Printer

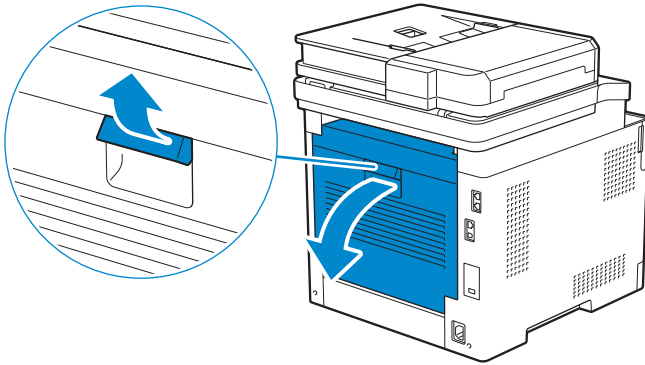
Cleaning the Color Toner Density (CTD) Sensor

NOTE:

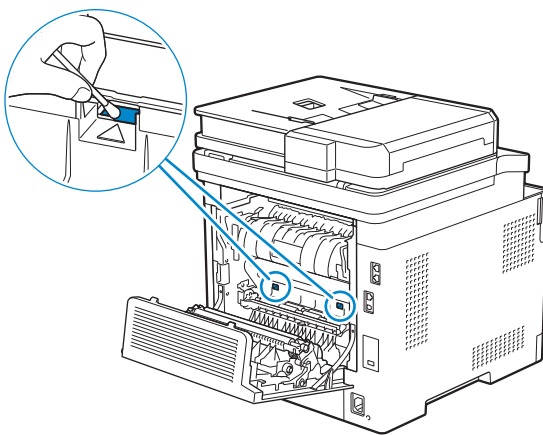
- Clean the CTD sensor only when an alert for the CTD sensor is shown on the Status Monitor or touch panel.

1 Make sure that the printer is turned off.

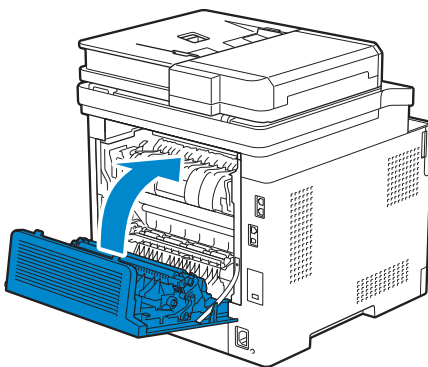
2 Pull up the handle lever of the rear cover, and open the rear cover.



3 Clean the CTD sensor with a clean and dry cotton swab.



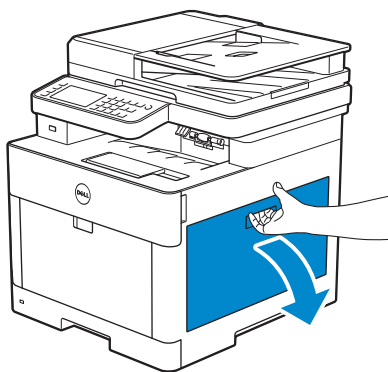
4 Close the rear cover.



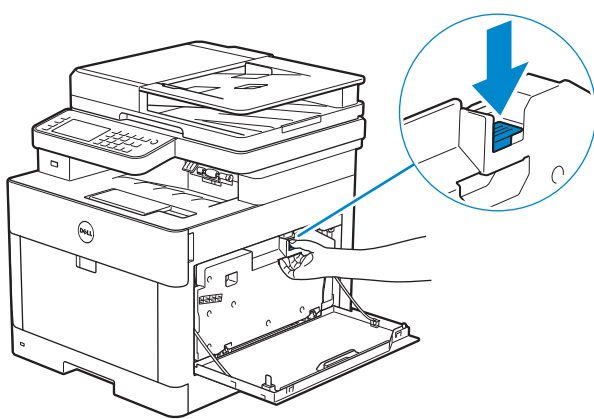
Cleaning the LED Print Head

To prevent deterioration of printing quality due to stains on the LED print head, clean the LED print head regularly by using the cleaning rod or whenever you replace the drum cartridges.

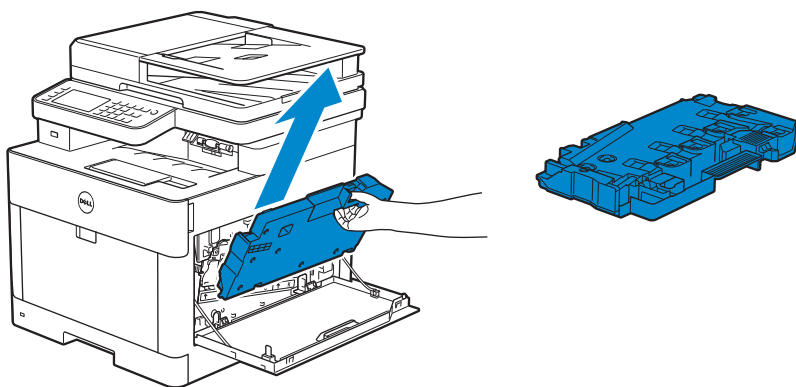
1 Open the right side cover.



2 Push down the latch to release the waste toner box from the printer.

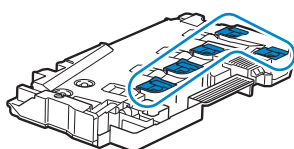


3 Gently pull the waste toner box upwards.



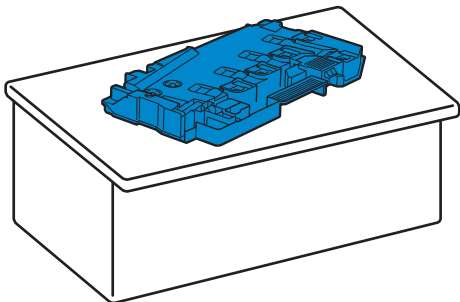
△ CAUTION:

- Take care not to drop the waste toner box while you are removing it.
- After removing the waste toner box, do not touch the parts shown in the illustration. Toner can dirty or stain your hands.



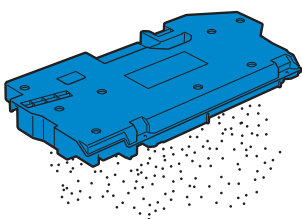
4 Place the waste toner box on a level surface.

Always keep the side that was attached to the printer facing up.

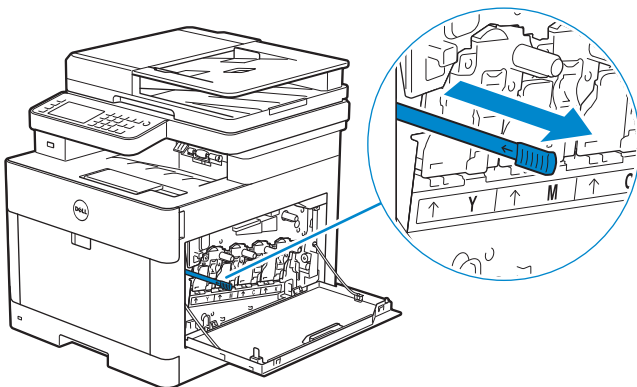


WARNING:

- Never let the side that was attached to the printer face down. This may cause the toner to spill out.



5 Pull out the cleaning rod from inside the printer.

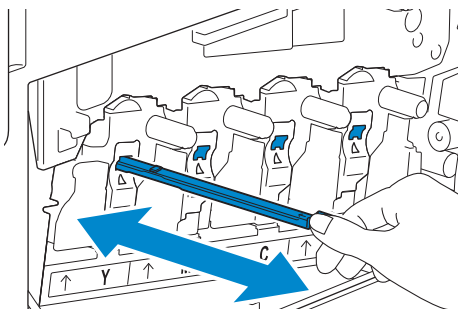


6 Insert the cleaning rod into one of the four holes of the tabs on the drum cartridges until it stops, and then pull it out.

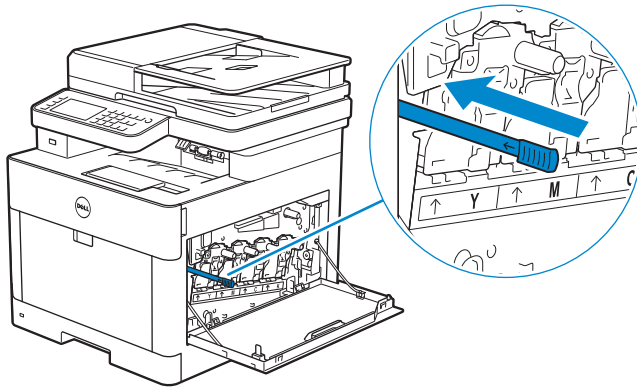


NOTE:

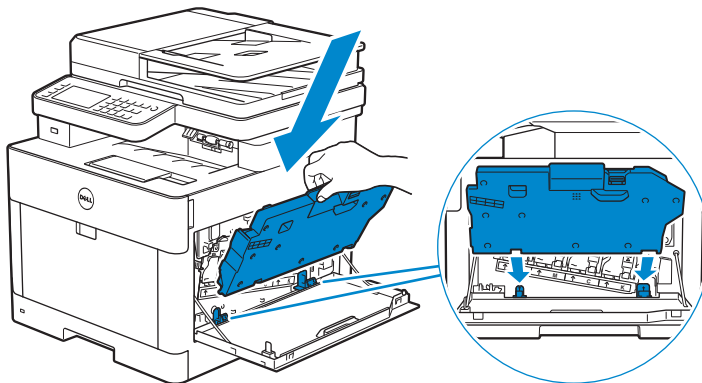
- Insert the cleaning rod with the pad side up.
- It is not necessary to move the cleaning rod back and forth repeatedly.



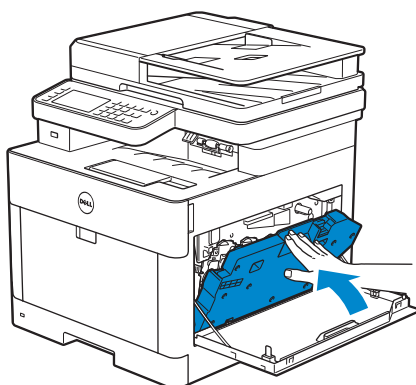
- 7 Repeat step 6 for the other three holes.
- 8 Return the cleaning rod to its original location.



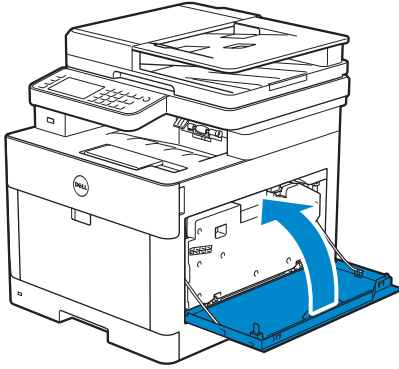
- 9 Insert the waste toner box.
Make sure that the two indented parts on the bottom go into the brackets on the printer.



- 10 Push on the handle of the waste toner box until it clicks.



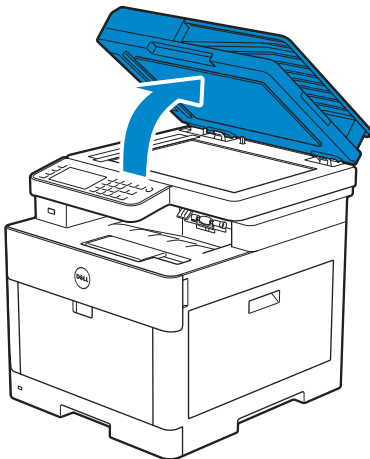
11 Close the right side cover.



Cleaning the Scanner

Keeping the scanner clean helps ensure the best possible copies. It is recommended to clean the scanner at the start of each day and during the day, as needed.

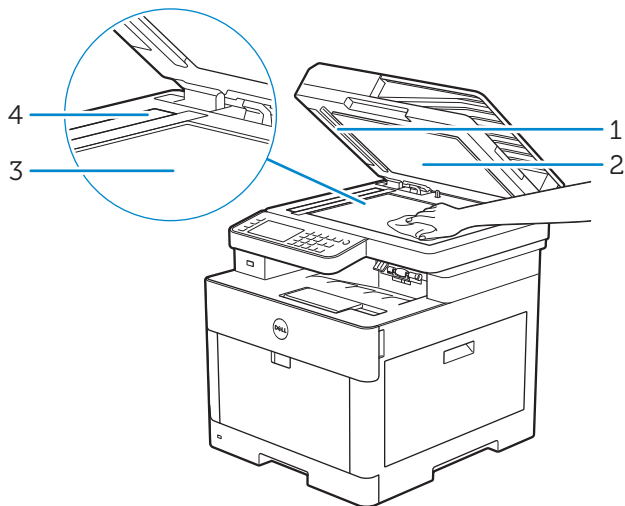
- 1 Slightly dampen a soft lint-free cloth or paper towel with water.
- 2 Open the document cover.



- 3 Wipe the surface of the document glass, DADF glass, white strip, and white document cover until it is clean, and then wipe with a dry cloth or paper towel until it is completely dry.

 **NOTE:**

- Handle the white strip with care.



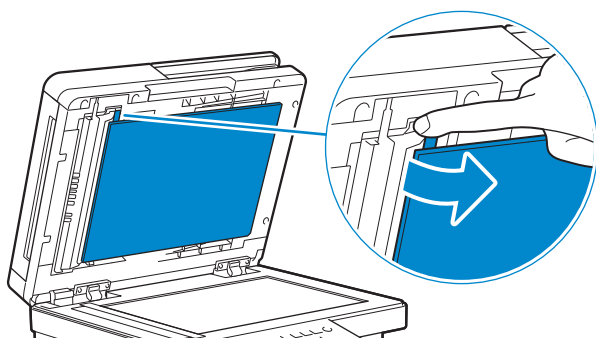
1 White Strip

2 White Document Cover

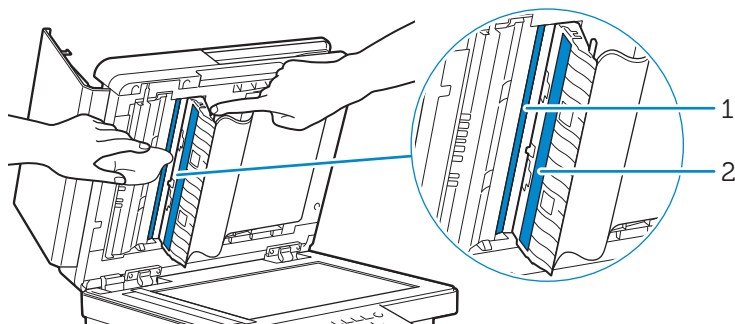
3 Document Glass

4 DADF Glass

- 4 Pull the tab to open the DADF chute cover and hold it open.



- 5 Wipe the surface of the duplex sensor glass and white strip until it is clean, and then wipe with a dry cloth or paper towel until it is completely dry.



1 Duplex Sensor Glass

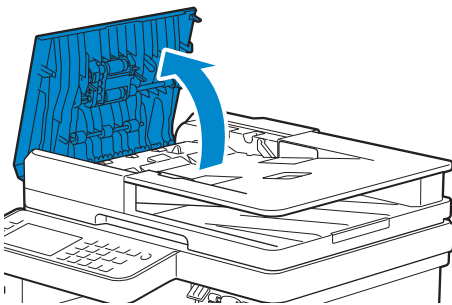
2 White Strip

- 6 Gently close the DADF chute cover.
- 7 Close the document cover.

Cleaning the DADF Feed Rollers

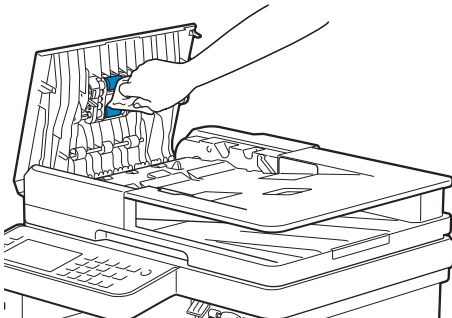
Keeping the DADF feed rollers clean helps ensure the best possible copies. It is recommended to clean the DADF feed rollers at regular intervals.

- 1 Open the DADF cover.



- 2 Wipe the DADF feed rollers with a dry soft lint-free cloth or paper towel until they are clean.

If the DADF feed rollers get stained with ink, documents that go through the DADF can also become stained. In this case, slightly dampen a soft lint-free cloth or paper towel with a neutral detergent or water, and then remove the ink stains from the DADF feed rollers until they are clean and dry.



Moving the Printer

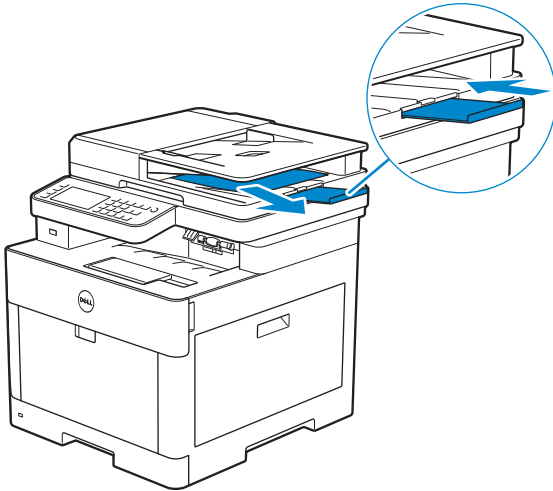
This section describes how to move the printer.

WARNING:

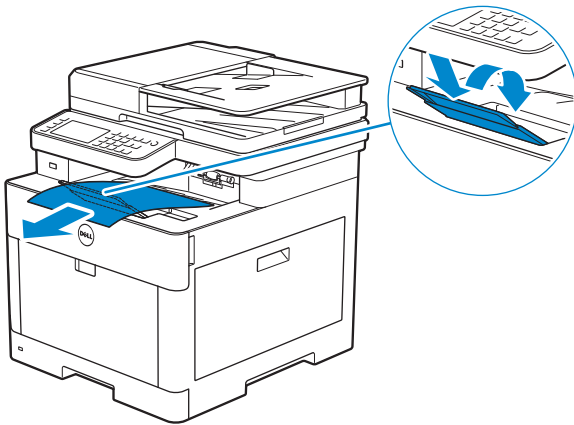
- Before performing any of the following procedures, read and follow the safety instructions in the *Important Information*.
- If the optional 550-sheet feeder (Tray2) has been installed, uninstall the optional 550-sheet feeder before moving the printer. If the optional 550-sheet feeder is not fixed securely to the printer, it may fall to the ground and cause injuries. See "Removing the Optional 550-Sheet Feeder."

- 1 Turn off the printer, and then disconnect the power cord, interface cable, and any other cables.

2 Remove any paper from the DADF, and then retract the document stopper.



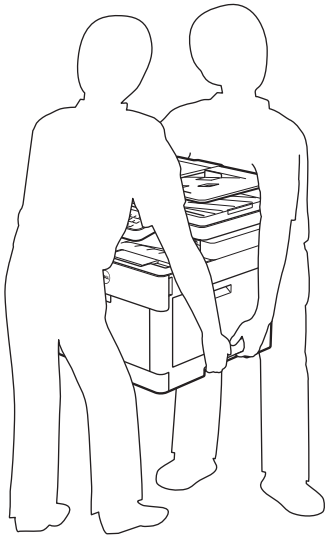
3 Remove any paper in the output tray, and then return the output tray extension.



4 Lift the printer and move it gently.

**WARNING:**

- Two people are required to lift the printer.

**NOTE:**

- If you move the printer over a long distance, remove the toner cartridges from the printer to prevent toner from spilling, and then pack the printer into a box. See "Replacing the Toner Cartridges."

Removing Options

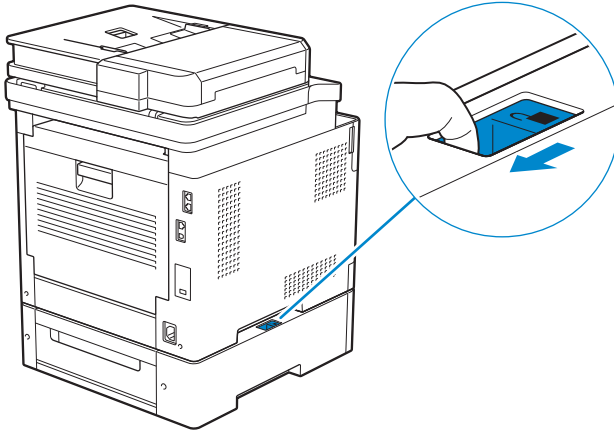
If the printer location needs to change or the printer and the optional 550-sheet feeder need to be shipped to a new location, the optional 550-sheet feeder must be removed from the printer. For shipping, pack the printer and the optional 550-sheet feeder securely to avoid damage.

Removing the Optional 550-Sheet Feeder

**WARNING:**

- **Before removing the optional 550 sheet feeder (Tray2), make sure to turn off the printer, unplug the power cord, and disconnect all cables from the rear of the printer.**
- 1 Make sure that the printer is turned off, and then disconnect all cables from the rear of the printer.

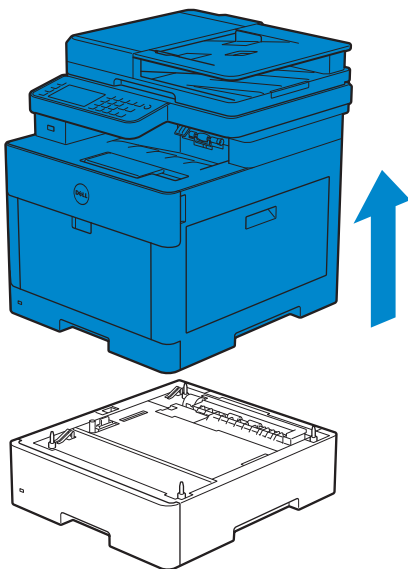
2 Slide the lock switch of the optional 550-sheet feeder to the unlock position.



3 Gently lift the printer off the optional 550-sheet feeder, and then place it on a level surface.

⚠ WARNING:

- Two people are required to lift the printer.



4 Connect all the cables into the rear of the printer, and then turn on the printer.

Troubleshooting

Troubleshooting

Clearing Jams

NOTE:

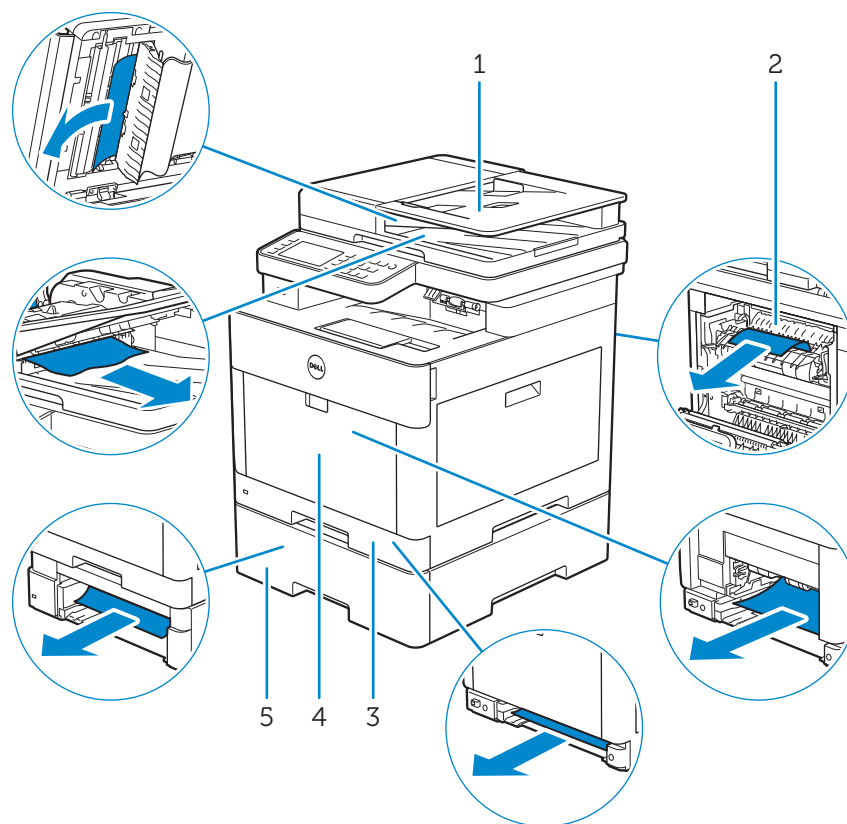
- Careful selection of appropriate print media and proper loading allow you to avoid paper jams. See "Print Media Guidelines."

Identifying the Location of Paper Jams

CAUTION:

- Do not attempt to clear any jams using tools or instruments. This may permanently damage the printer.

The following illustration shows where paper jams may occur along the print media path.



- | | |
|---|-----------------------------------------|
| 1 | Duplex Automatic Document Feeder (DADF) |
| 2 | Fusing Unit |
| 3 | Tray1 |
| 4 | Multipurpose Feeder (MPF) |
| 5 | Optional 550-Sheet Feeder |

Clearing Paper Jams From the DADF

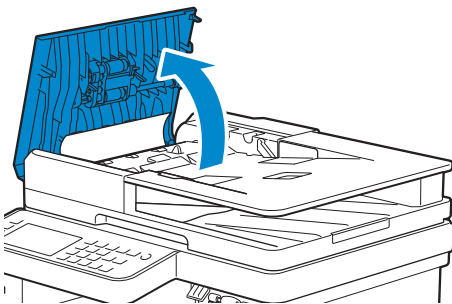
When a document gets jammed inside the DADF, remove the jammed documents with the following procedures.

NOTE:

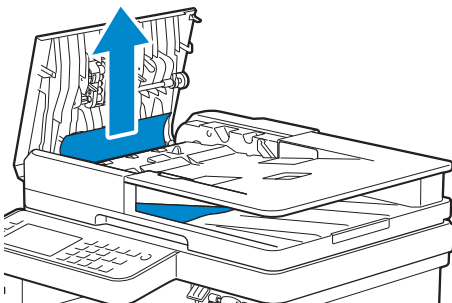
- To prevent document jams, use the document glass for thick, thin, or mixed documents.
- To resolve the error displayed on the touch panel, you must clear all print media from the print media path.

Clearing Documents From the Document Feed Area and Document Exit Area

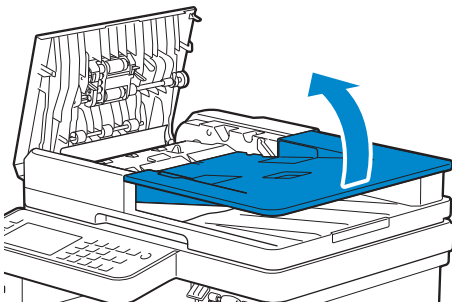
- 1 Remove the remaining documents from the DADF.
- 2 Open the DADF cover.



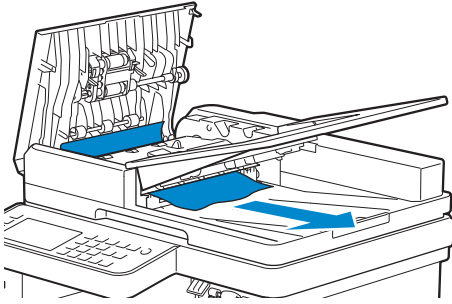
- 3 Remove any jammed documents from inside the DADF cover by gently pulling the document straight up.



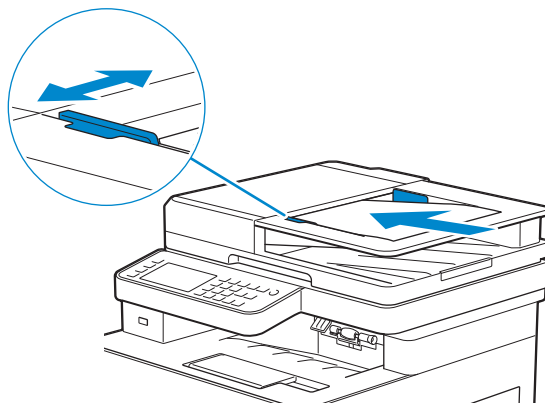
- 4 Lift the document feeder tray.



5 Remove any jammed documents from the document output tray.



6 Close the DADF cover, and then load the documents back into the DADF.

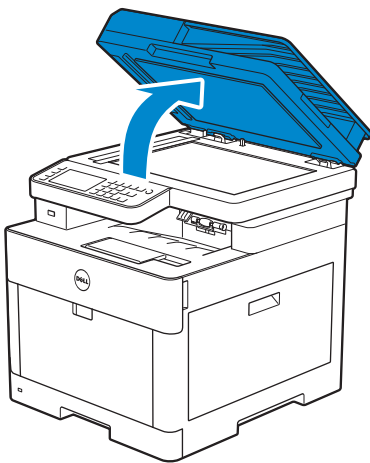


7 Tap Start.

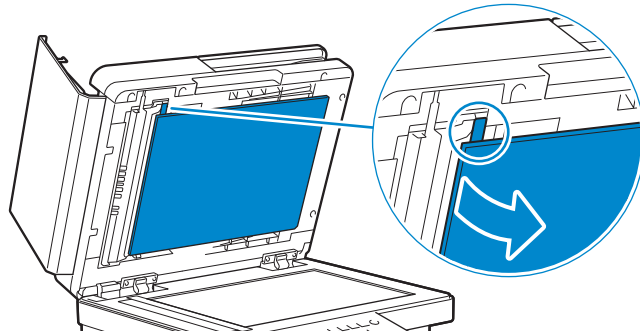
Clearing Documents From Inside the DADF Chute Cover

If you cannot remove the jammed document from the document output tray or cannot find any jammed documents, open the DADF chute cover and remove the jammed documents from there.

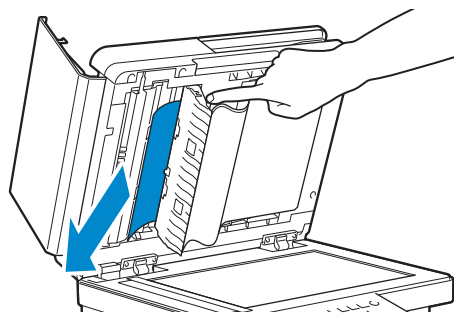
1 Open the document cover.



2 Pull the tab to open the DADF chute cover and hold it open.

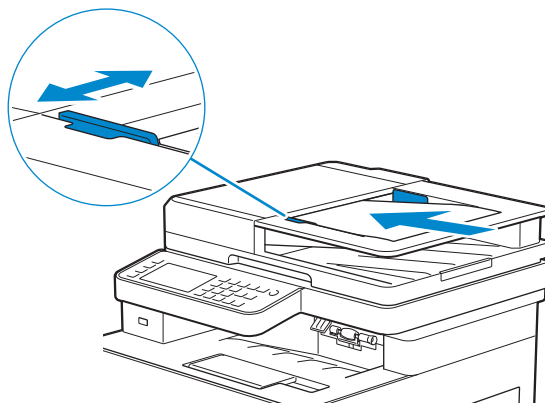


3 Remove the document from inside the DADF chute cover by carefully pulling it to the left.



4 Gently close the DADF chute cover.

5 Close the document cover, and then load the documents back into the DADF.



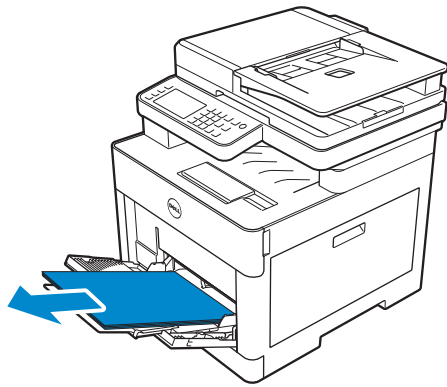
6 Tap Start.

Clearing Paper Jams From the Multipurpose Feeder (MPF) and Tray1

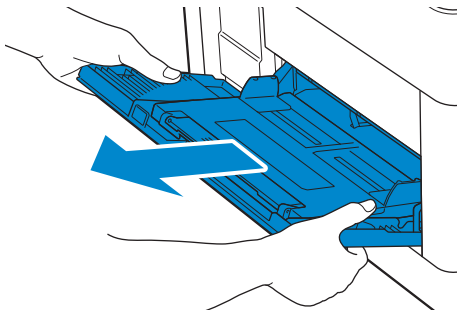
NOTE:

- To resolve the error displayed on the touch panel, you must clear all print media from the print media path.

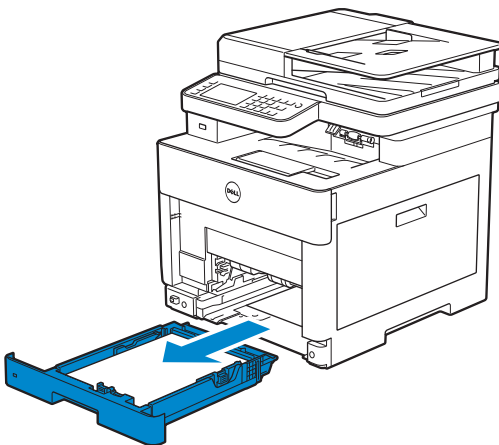
- 1 Gently pull and open the MPF. If the MPF is already open and is being used, remove the remaining paper loaded on the MPF.



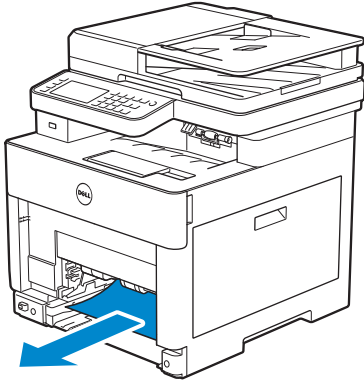
- 2 Grasp both sides of the MPF, and then pull it out of the printer.



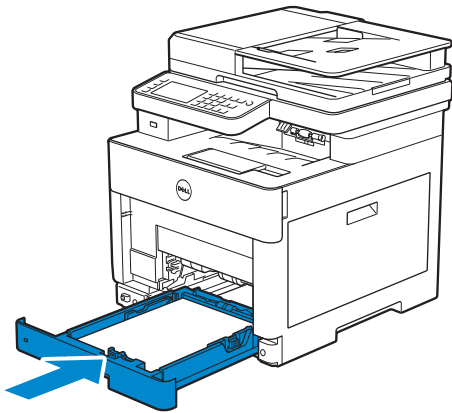
- 3 Pull tray1 out of the printer.



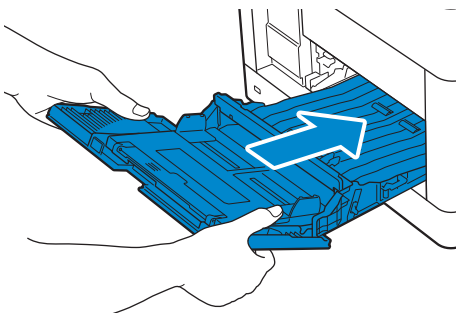
4 Remove the jammed paper.



5 Insert tray1 into the printer, and then push until it stops.



6 Insert the MPF into the printer, and then load the paper back on the MPF.



7 Tap Start.

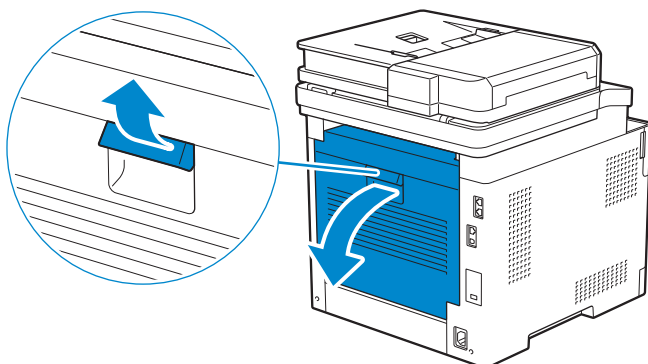
Clearing Paper Jams From Inside the Rear Cover

NOTE:

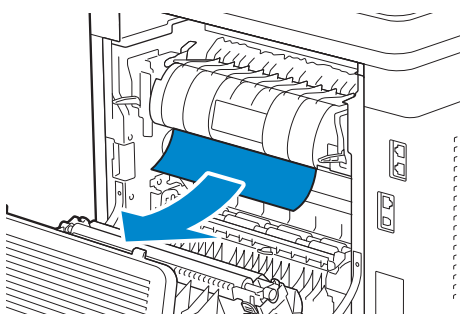
- To resolve the error displayed on the touch panel, you must clear all print media from the print media path.

Clearing Paper Jams From the Fusing Unit

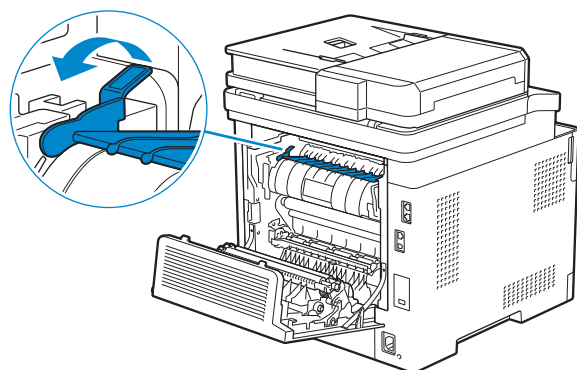
- 1 Pull up the handle lever of the rear cover, and then open the rear cover.



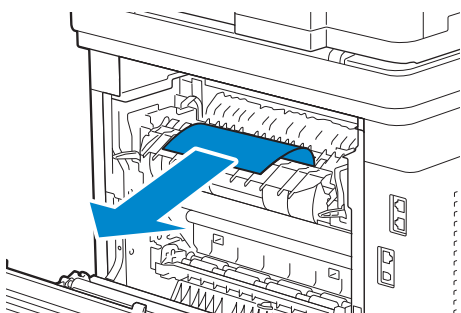
- 2 Remove the jammed paper from below the fusing unit.



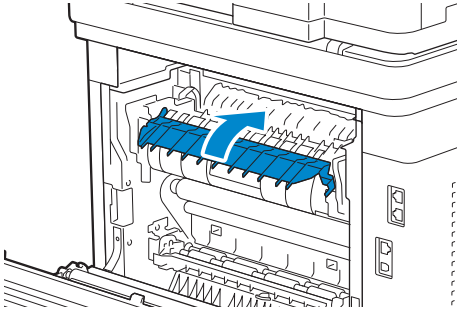
- 3 Pull the tab that is located above the fusing unit and hold the part open.



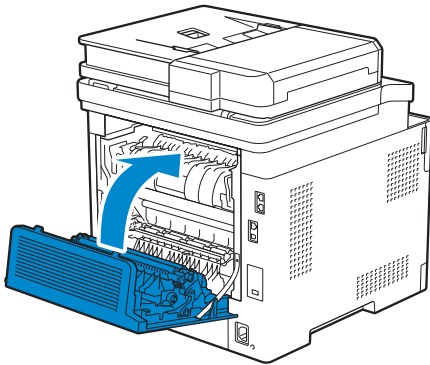
- 4 Remove the jammed paper.



5 Gently release the tab and close the part.

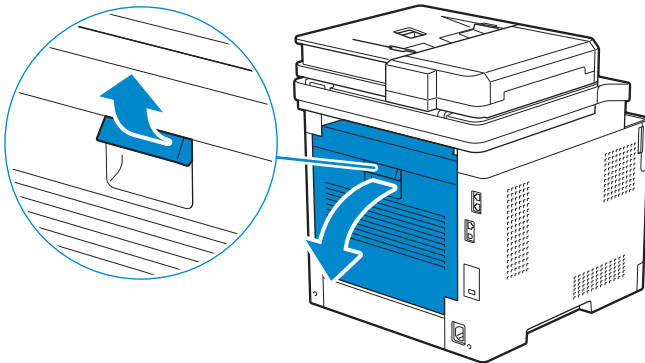


6 Close the rear cover.

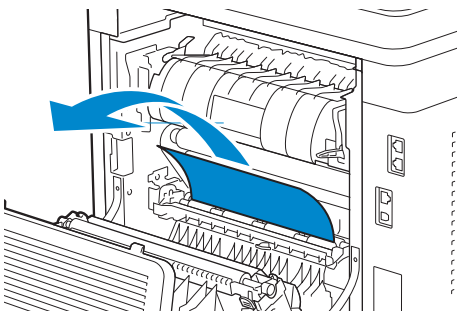


Clearing Paper Jams From Between the Rollers

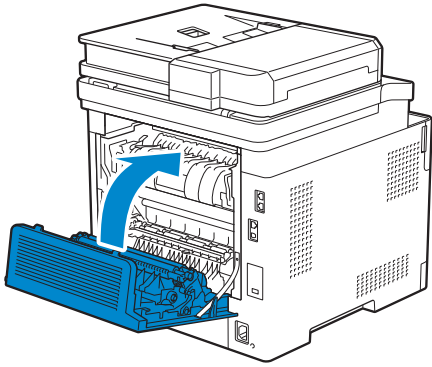
1 Pull up the handle lever of the rear cover and open the rear cover.



2 Remove the jammed paper.

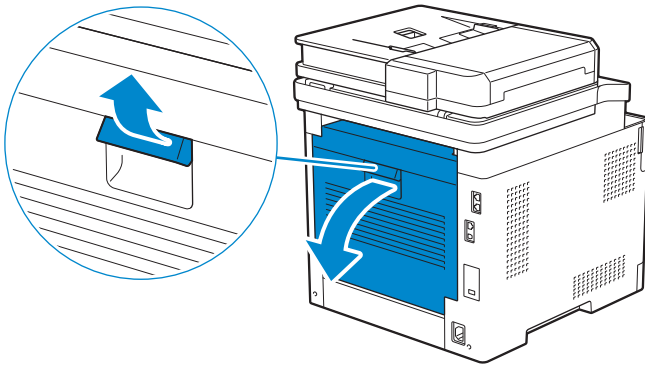


3 Close the rear cover.

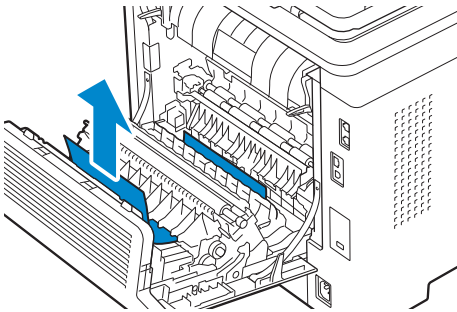


Clearing Paper Jams From the Duplex Unit

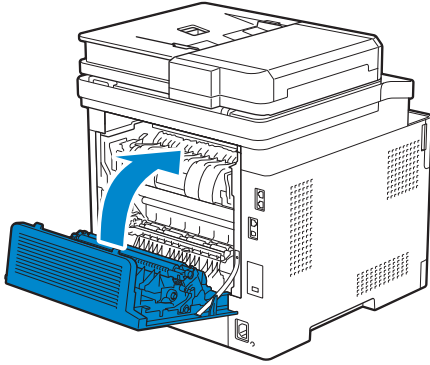
1 Pull up the handle lever of the rear cover and open the rear cover.



2 Remove the jammed paper.



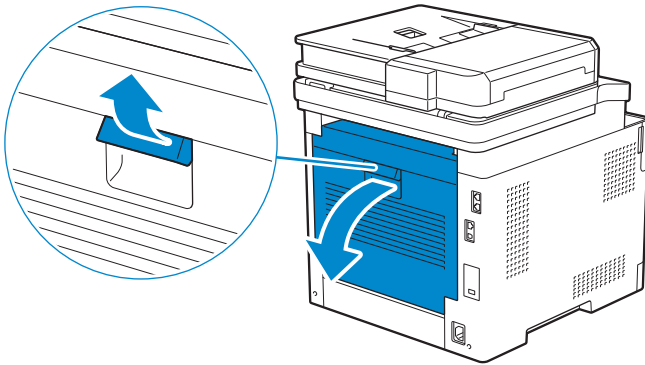
3 Close the rear cover.



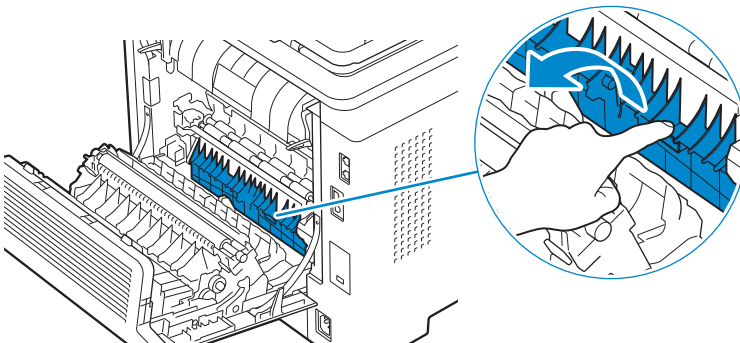
Clearing Paper Jams From the Rear Chute

When a status code for a paper jam inside the rear cover appear but you cannot find the jammed paper, check inside the rear chute.

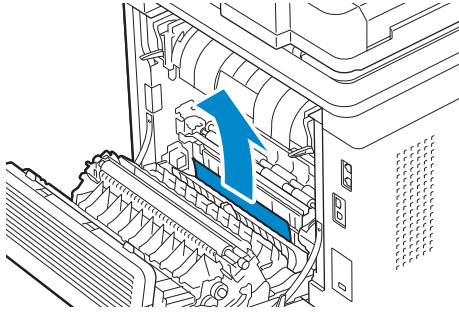
1 Pull up the handle lever of the rear cover, and then open the rear cover.



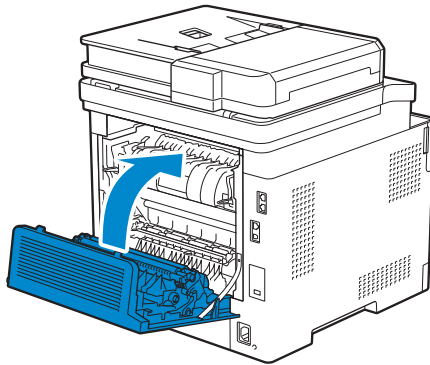
2 Pull the tab to open the rear chute.



3 Remove the jammed paper.



4 Close the rear cover.

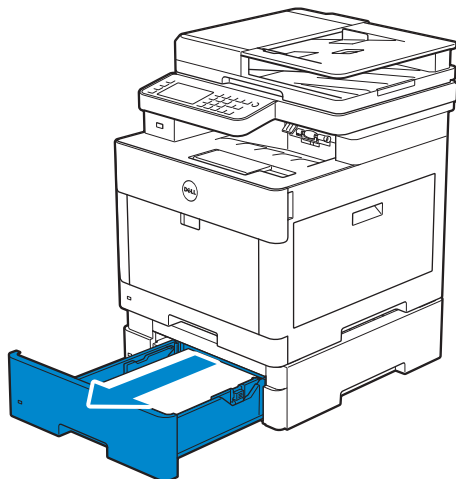


Clearing Paper Jams From the Optional 550-Sheet Feeder

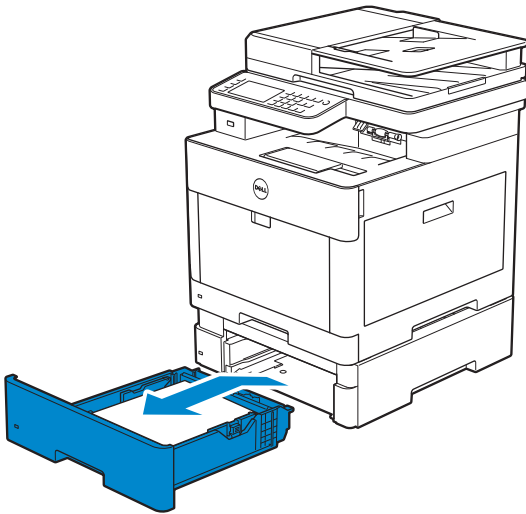
 **NOTE:**

- To resolve the error displayed on the touch panel, you must clear all print media from the print media path.

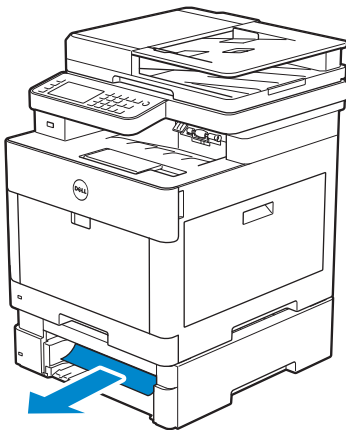
1 Pull the tray of the optional 550-sheet feeder halfway out of the printer.



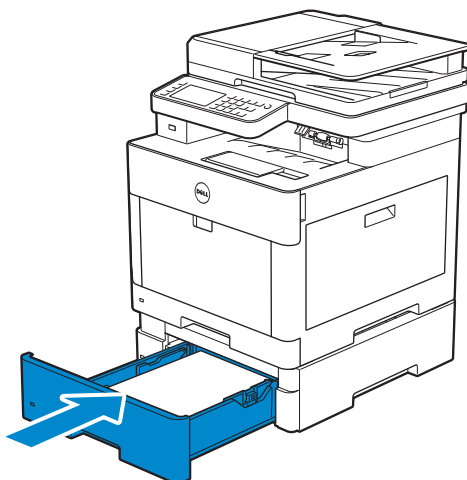
- 2 Hold the tray with both hands, slightly tip the front of the tray upwards, and then pull it out completely.



- 3 Remove the jammed paper.



- 4 Insert the optional 550-sheet feeder into the printer, and then push until it stops.



Basic Printer Problems

Some printer problems can be easily resolved. If a problem occurs with the printer, check each of the following:

- The power cord is plugged into the printer and a properly grounded electrical outlet.
- The printer is turned on.
- The electrical outlet is not turned off at any switch or breaker.
- Other electrical equipment plugged into the outlet is working.
- All options are properly installed.

If you have checked all of the above and still have a problem, turn off the printer, wait for 10 seconds, and then turn on the printer. This often fixes the problem.

NOTE:

- If error messages are displayed on the touch panel or on your computer screen, follow the on-screen instructions to resolve the printer problems. See "Understanding Printer Messages."



Display Problems

Problem	Action
Menu settings changed from the operator panel have no effect.	Settings in the software program, the print driver, or the printer utilities have precedence over the settings made on the operator panel.

Printing Problems

NOTE:

- If `Panel Lock Control` is set to `Enable`, you need to enter the four-digit password to enter the `Admin Settings` menu.

Problem	Action
Job did not print or incorrect characters printed.	Make sure that the top menu appears on the touch panel before you send a job to print. Press the  (Home) button to return to the top menu.
	Make sure that the print media is loaded in the printer. Press the  (Home) button to return to the top menu.
	Verify that the printer is using the correct Page Description Language (PDL).
	Verify that you are using the correct print driver.
	Make sure that the correct USB or Ethernet cable is securely connected to the printer.
	Verify that the correct print media size is selected.
	If you are using a print spooler, verify that the spooler has not stalled.
	Check the printer's interface from the <code>Admin Settings</code> . Determine the host interface you are using. Print a <code>Panel Settings</code> page to verify that the current interface settings are correct.

Problem	Action
Print media misfeeds or multiple feeds occur.	<p>Make sure that the print media you are using meets the specifications for the printer. See "Supported Print Media."</p> <p>Fan the print media before loading it.</p> <p>Make sure that the print media is loaded correctly.</p> <p>Make sure that the width and length guides of the print media sources are adjusted correctly.</p> <p>Make sure that tray1, the optional 550-sheet feeder (tray2), or the Multipurpose Feeder (MPF) unit is securely inserted.</p> <p>Do not overload tray1, the optional 550-sheet feeder, or the MPF.</p> <p>Do not force print media into the MPF when you load it; otherwise, it may skew or buckle.</p> <p>Make sure that the print media is not curled.</p> <p>Make sure that the recommended print side is facing up. See "Loading Print Media in Tray1 and the Optional 550-Sheet Feeder."</p> <p>Turn the print media over or around and print again to see if feeding improves.</p> <p>Do not mix print media types.</p> <p>Do not mix reams of print media.</p> <p>Remove the top and bottom curled sheets of a ream before loading the print media.</p> <p>Load print media only when tray1, the optional 550-sheet feeder, or the MPF is empty.</p> <p>Wipe the retard rollers in tray1, the optional 550-sheet feeder, or the MPF with a cloth moistened with water.</p>
The envelope is creased after printed.	Make sure that the envelope is loaded in the MPF as instructed in "Loading Envelopes in the MPF."
Page breaks in unexpected places.	Increase the value for Time-Out using the operator panel, Tool Box, or Dell Printer Configuration Web Tool.
Print media does not stack neatly in the output tray.	Turn the print media stack over in tray1 or the MPF.
Printing takes time when printing from Dell Document Hub.*	Set <code>Print Mode</code> to <code>>High Speed</code> in the printer menu. See "Print Mode."
Cannot print from tray1 or the optional 550-sheet feeder because the print media in tray1 or the optional 550-sheet feeder is curled.	Load the print media into the MPF.

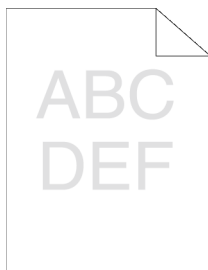
* Dell Document Hub is available on Dell H625cdw and Dell H825cdw.

Print Quality Problems


NOTE:

- Some of the following procedures that use the Tool Box on Dell Printer Hub and Dell Printer Management Tool can be performed using the operator panel or Dell Printer Configuration Web Tool. See "Tool Box," "Understanding the System Menus," and "Dell™ Printer Configuration Web Tool."

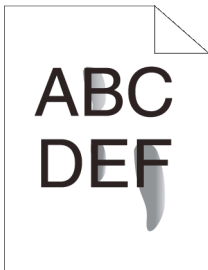
Light Printout



Problem	Action
The printed result is too light.	<p>1 The toner cartridges may be low or need to be replaced. Check the amount of toner left in each toner cartridge.</p> <p>a Press the i (Information) button, and then tap the Supplies tab, or start Dell Printer Configuration Web Tool. See "Dell™ Printer Configuration Web Tool."</p> <p>You can also check the toner level in the following ways.</p> <p>For Windows®:</p> <p>Start Dell Printer Hub or Dell Printer Management Tool, and then click the Overview tab.</p> <p>For OS X and Linux:</p> <p>Start the Status Monitor, and then view the Printer Status window.</p> <p>b Replace the toner cartridges as necessary.</p> <p>If the problem persists, proceed to step 2.</p>
	<p>2 If you are using non-Dell brand toner cartridges, enable the Non-Dell Toner option.</p> <p>a Start the Tool Box on Dell Printer Hub or Dell Printer Management Tool, and then click Service Tools on the Printer Maintenance tab.</p> <p>NOTE:</p> <ul style="list-style-type: none">For details about how to start the Tool Box, see "Tool Box." <p>b Make sure that the On check box under Non-Dell Toner is selected.</p> <p>If the problem persists, proceed to step 3.</p>
	<p>3 Disable the Toner Saver in the print driver.</p> <p>a On the Others tab, make sure that Off is selected in the Toner Saver drop-down menu.</p> <p>If the problem persists, proceed to step 4.</p>
	<p>4 The print media surface may be uneven. Try changing the Paper Type setting in the print driver. For example, change the plain paper to thick.</p> <p>a On the General tab, change the Paper Type setting.</p> <p>If the problem persists, proceed to step 5.</p>
	<p>5 Make sure that the correct print media is being used. See "Supported Print Media." If not, use the print media recommended for the printer.</p> <p>If the problem persists, proceed to step 6.</p>
	<p>6 Make sure that the transfer unit is correctly installed.</p> <p>If the problem persists, proceed to step 7.</p>

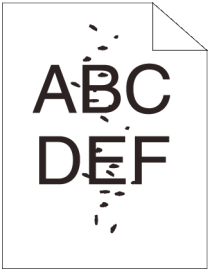
Problem	Action
	<p>7 Stir the developer in the drum cartridge.</p> <p>a Press the i (Information) button, and then tap the Tools tab → Admin Settings → Maintenance → Clean Developer and Transfer Unit → Start.</p> <p>b Print a Color Test Page from Report / List.</p> <p>If the problem persists, proceed to step 8.</p>
	<p>8 Clean the toner in the drum cartridge.</p> <p>a Press the i (Information) button, and then tap the Tools tab → Admin Settings → Maintenance → Toner Refresh.</p> <p>b Select the desired color, and then tap Start.</p> <p> NOTE:</p> <ul style="list-style-type: none"> The Toner Refresh feature uses the toner, and shorten the life of the toner cartridge and the drum cartridge. <p>c Print a Color Test Page from Report / List.</p> <p>If the problem persists, proceed to step 9.</p>
	<p>9 Replace the drum cartridges. See "Replacing the Drum Cartridges."</p> <p>a Start the Tool Box on Dell Printer Hub or Dell Printer Management Tool, and then click Reports on the Printer Setting Reports tab.</p> <p>b Click Color Test Page for verification.</p> <p>If the problem persists, contact Dell.</p>

Smearing Toner/Loose Toner



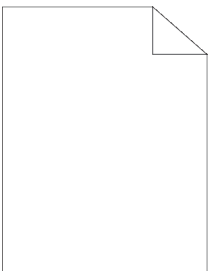
Problem	Action
Toner smears or toner comes off.	<p>1 The print media surface may be uneven. Try changing the Paper Type setting in the print driver. For example, change the plain paper to thick.</p> <p>a On the General tab, change the Paper Type setting.</p> <p>If the problem persists, proceed to step 2.</p>
	<p>2 Verify that the correct print media is being used. See "Supported Print Media." If not, use the print media recommended for the printer.</p> <p>If the problem persists, proceed to step 3.</p>
	<p>3 Replace the drum cartridges. See "Replacing the Drum Cartridges."</p> <p>a Print a test page for verification.</p> <p>If the problem persists, proceed to step 4.</p>
	<p>4 Stir the developer in the drum cartridge.</p> <p>a Press the i (Information) button, and then tap the Tools tab → Admin Settings → Maintenance → Clean Developer and Transfer Unit → Start.</p> <p>b Print a Color Test Page from Report / List.</p> <p>If the problem persists, contact Dell.</p>



Random Spots/Blurred Images



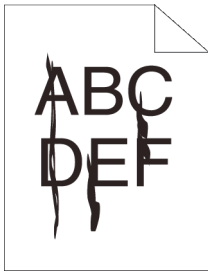
Problem	Action
The printout has random spots or is blurred.	1 Make sure that the toner cartridges are installed correctly. See "Installing a Toner Cartridge." If the problem persists, proceed to step 2.
	2 Make sure that the drum cartridges are installed correctly. See "Replacing the Drum Cartridges" and "Installing a Drum Cartridge." If the problem persists, proceed to step 3.
	3 Replace the drum cartridges. See "Replacing the Drum Cartridges." a Start the Tool Box on Dell Printer Hub or Dell Printer Management Tool. NOTE: <ul style="list-style-type: none">• For details about how to start the Tool Box, see "Tool Box." b Click Chart Print on the Diagnosis tab. c Click Pitch Configuration Chart for verification. If the problem persists, contact Dell.

Blank Printout



Problem	Action
The printout is entirely blank.	<p>1 The toner cartridges may be low or need to be replaced. Check the amount of toner left in each toner cartridge.</p> <p>a Press the  (Information) button, and then tap the Supplies tab, or start Dell Printer Configuration Web Tool. See "Dell™ Printer Configuration Web Tool."</p> <p>You can also check the toner level in the following ways.</p> <p>For Windows®:</p> <p>Start Dell Printer Hub or Dell Printer Management Tool, and then click the Overview tab.</p> <p>For OS X and Linux:</p> <p>Start the Status Monitor, and then view the Printer Status window.</p> <p>b Replace the toner cartridges as necessary.</p> <p>If the problem persists, proceed to step 2.</p>
	<p>2 If you are using non-Dell brand toner cartridges, enable the Non-Dell Toner option.</p> <p>a Start the Tool Box on Dell Printer Hub or Dell Printer Management Tool, and then click Service Tools on the Printer Maintenance tab.</p> <p> NOTE:</p> <ul style="list-style-type: none"> • For details about how to start the Tool Box, see "Tool Box." <p>b Make sure that the On check box under Non-Dell Toner is selected.</p> <p>If the problem persists, proceed to step 3.</p>
	<p>3 Disable the Toner Saver in the print driver.</p> <p>a On the Others tab, check that Off is selected in the Toner Saver drop-down menu.</p> <p>If the problem persists, proceed to step 4.</p>
	<p>4 The print media surface may be uneven. Try changing the Paper Type setting in the print driver. For example, change the plain paper to thick.</p> <p>a On the General tab, change the Paper Type setting.</p> <p>If the problem persists, proceed to step 5.</p>
	<p>5 Verify that the correct print media is being used. See "Supported Print Media." If not, use the print media recommended for the printer.</p> <p>If the problem persists, proceed to step 6.</p>
	<p>6 Replace the drum cartridges. See "Replacing the Drum Cartridges."</p> <p>a Start the Tool Box on Dell Printer Hub or Dell Printer Management Tool, and then click Reports on the Printer Setting Reports tab.</p> <p>b Click Color Test Page for verification.</p> <p>If the problem persists, contact Dell.</p>


Streaks



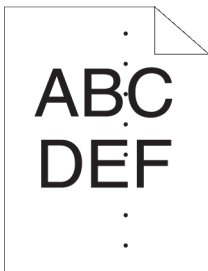
Problem	Action
Streaks appear on the printout.	<ol style="list-style-type: none">1 The toner cartridges may be low or need to be replaced. Check the amount of toner left in each toner cartridge.<ol style="list-style-type: none">a Press the i (Information) button, and then tap the Supplies tab, or start Dell Printer Configuration Web Tool. See "Dell™ Printer Configuration Web Tool."<p>You can also check the toner level in the following ways.</p><p>For Windows®:</p><p>Start Dell Printer Hub or Dell Printer Management Tool, and then click the Overview tab.</p><p>For OS X and Linux:</p><p>Start the Status Monitor, and then view the Printer Status window.</p>b Replace the toner cartridges as necessary.<p>If the problem persists, proceed to step 2.</p>2 If you are using non-Dell brand toner cartridges, enable the Non-Dell Toner option.<ol style="list-style-type: none">a Start the Tool Box on Dell Printer Hub or Dell Printer Management Tool, and then click Service Tools on the Printer Maintenance tab.<p>NOTE:</p><ul style="list-style-type: none">• For details about how to start the Tool Box, see "Tool Box."b Make sure that the On check box under Non-Dell Toner is selected.<p>If the problem persists, proceed to step 3.</p>3 Replace the drum cartridges. See "Replacing the Drum Cartridges."<ol style="list-style-type: none">a Start the Tool Box on Dell Printer Hub or Dell Printer Management Tool, and then click Reports on the Printer Setting Reports tab.b Click Color Test Page for verification.<p>If the problem persists, contact Dell.</p>


Black Printout (Partial or Entire Page)



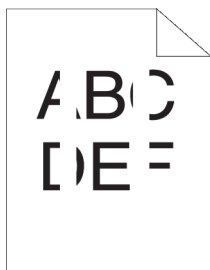
Problem	Action
Part or the entire printout is black.	1 Make sure that the drum cartridges are installed correctly. See "Installing a Drum Cartridge." If the problem persists, proceed to step 2.
	2 Check that Output Color is set to Color in the print driver. a On the Graphics tab, Make sure that Output Color is set to Color . If the problem persists, proceed to step 3.
	3 Replace the drum cartridges. See "Replacing the Drum Cartridges." a Start the Tool Box on Dell Printer Hub or Dell Printer Management Tool.  NOTE: <ul style="list-style-type: none"> For details about how to start the Tool Box, see "Tool Box." b Click Chart Print on the Diagnosis tab. c Click 4 Colors Configuration Chart for verification. If the problem persists, contact Dell.

Equally Spaced Colored Dots



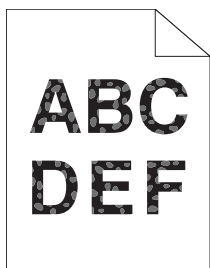
Problem	Action
The printout has equally spaced colored dots	1 Locate the cause of the problem using the Pitch Configuration Chart. a Start the Tool Box on Dell Printer Hub or Dell Printer Management Tool, and then click Chart Print on the Diagnosis tab.  NOTE: <ul style="list-style-type: none"> For details about how to start the Tool Box, see "Tool Box." b Click Pitch Configuration Chart for verification. c Compare the space between the color spots on your output with that on the Pitch Configuration Chart, and then locate the cause of the problem. If the location of the problem is drum cartridge, proceed to step 2. If the cause of the problem is not located, contact Dell.
	2 Replace the drum cartridges. See "Replacing the Drum Cartridges." a Start the Tool Box on Dell Printer Hub or Dell Printer Management Tool. b Click Chart Print on the Diagnosis tab. c Click Pitch Configuration Chart for verification. If the problem persists, contact Dell.

Vertical Blanks



Problem	Action
The printout has vertical blanks.	<p>1 Clean inside the printer by using the cleaning rod. See "Cleaning the LED Print Head."</p> <p>a After the cleaning is completed, press the i (Information) button.</p> <p>b Tap the Information tab → Report / List → Color Test Page for verification.</p> <p>If the problem persists, proceed to step 2.</p>
	<p>2 Check if the light path is not covered.</p> <p>a Remove the drum cartridges, and then keep them in the dark place. See "Replacing the Drum Cartridges."</p> <p>b Check the light path, and then remove the shielding.</p> <p>c Re-install the drum cartridges. See "Installing a Drum Cartridge."</p> <p>d Start the Tool Box on Dell Printer Hub or Dell Printer Management Tool, and then click Chart Print on the Diagnosis tab.</p> <p>NOTE:</p> <ul style="list-style-type: none"> For details about how to start the Tool Box, see "Tool Box." <p>e Click Pitch Configuration Chart for verification.</p> <p>If the problem persists, proceed to step 3.</p>
	<p>3 Replace the drum cartridges. See "Replacing the Drum Cartridges."</p> <p>a Start the Tool Box on Dell Printer Hub or Dell Printer Management Tool, and then click Reports on the Printer Setting Reports tab.</p> <p>b Click Color Test Page for verification.</p> <p>If the problem persists, contact Dell.</p>

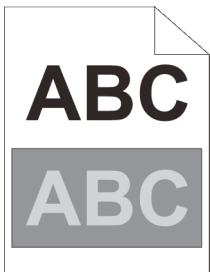
Mottle

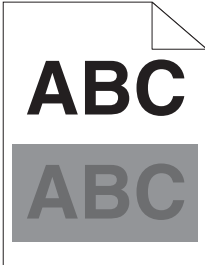
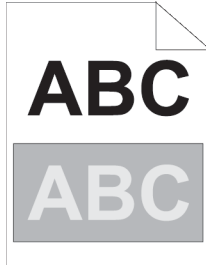




Problem	Action
The printout is mottled.	<p>1 Verify that the correct print media is being used. See "Supported Print Media." If not, use the print media recommended for the printer.</p> <p>If the problem persists, proceed to step 2.</p>

Problem	Action
	<p>2 Raise the transfer unit voltage.</p> <p>a Press the i (Information) button, and then tap the Tools tab → Admin Settings → Maintenance → Adjust 2nd BTR.</p> <p>b Increase the voltage. See "Adjust 2nd BTR."</p>
	<p>3 Replace the drum cartridges. See "Replacing the Drum Cartridges."</p> <p>a Start the Tool Box on Dell Printer Hub or Dell Printer Management Tool, and then click Reports on the Printer Setting Reports tab.</p> <p>NOTE:</p> <ul style="list-style-type: none"> For details about how to start the Tool Box, see "Tool Box." <p>b Click Color Test Page for verification.</p> <p>If the problem persists, contact Dell.</p>

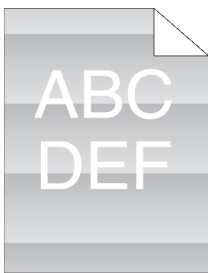
Ghosting




Problem	Action
The printout has ghosting.	<p>1 Identify the type of ghosting.</p> <div style="display: flex; justify-content: space-around; align-items: center;"> <div style="text-align: center;"> <p>Positive ghost</p>  </div> <div style="text-align: center;"> <p>Negative ghost</p>  </div> </div> <p>If the type of ghosting is positive ghost, proceed to step 2a. If the type of ghosting is negative ghost, proceed to step 2b. If the type of ghosting is not identified, contact Dell.</p>
	<p>2a Adjust the transfer bias.</p> <p>a Press the i (Information) button and tap the Tools tab → Admin Settings → Maintenance → Adjust Transfer Belt Unit.</p> <p>b Tap K Offset or YMC Offset, and then decrease the value.</p> <p>If the problem persists, proceed to step 3.</p>

Problem	Action
	<p>2b Adjust the transfer bias.</p> <p>a Press the  (Information) button and tap the Tools tab → Admin Settings → Maintenance → Adjust Transfer Belt Unit.</p> <p>b Tap K Offset or YMC Offset, and then increase the value.</p> <p>If the problem persists, proceed to step 3.</p>
	<p>3 Make sure that the correct print media is being used. See "Supported Print Media." If not, use the print media recommended for the printer.</p> <p>If the problem persists, proceed to step 4.</p>
	<p>4 Replace the drum cartridges. See "Replacing the Drum Cartridges."</p> <p>a Start the Tool Box on Dell Printer Hub or Dell Printer Management Tool.</p> <p> NOTE:</p> <ul style="list-style-type: none"> For details about how to start the Tool Box, see "Tool Box." <p>b Click Chart Print on the Diagnosis tab.</p> <p>c Click Ghost Configuration Chart for verification.</p> <p>If the problem persists, contact Dell.</p>





Light-Induced Fatigue



Problem	Action
The printout has light-induced fatigue pattern.	<p>1 Check the light fatigue pattern using the Pitch Configuration Chart.</p> <p>a Start the Tool Box on Dell Printer Hub or Dell Printer Management Tool, and then click Chart Print on the Diagnosis tab.</p> <p> NOTE:</p> <ul style="list-style-type: none"> For details about how to start the Tool Box, see "Tool Box." <p>b Click Pitch Configuration Chart for verification.</p> <p>If the pattern on the output match with that on the Pitch Configuration Chart, proceed to step 2.</p> <p>If the problem persists, contact Dell.</p>
	<p>2 Replace the drum cartridges. See "Replacing the Drum Cartridges."</p> <p>If the problem persists, contact Dell.</p>

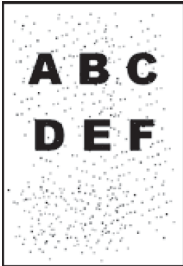
Fog




Problem	Action
The printed result is foggy.	1 If the whole page of the printout is light, contact Dell. If not, proceed to step 2.
	2 Stir the developer in the drum cartridge. a Press the  (Information) button, and then tap the Tools tab → Admin Settings → Maintenance → Clean Developer and Transfer Unit → Start . b Print a Color Test Page from Report / List . If the problem persists, proceed to step 3.
	3 Clean the toner in the drum cartridge. a Press the  (Information) button, and then tap the Tools tab → Admin Settings → Maintenance → Toner Refresh . b Select the color that is the same as the fog, and then tap Start .  NOTE: <ul style="list-style-type: none">The Toner Refresh feature uses the toner, and shorten the life of the toner cartridge and the drum cartridge. c Print a Color Test Page from Report / List . If the problem persists, proceed to step 4.
	4 Clean the toner in the drum cartridge again. If the problem persists, proceed to step 5a or 5b.
	5a If you use a non-Dell brand toner cartridge, enable the Non-Dell Toner option. a Start the Tool Box on Dell Printer Hub or Dell Printer Management Tool , and then click the Service Tools on the Printer Maintenance tab.  NOTE: <ul style="list-style-type: none">For details about how to start the Tool Box, see "Tool Box." b Make sure that the On check box under Non-Dell Toner is selected. If the problem persists, proceed to step 6.
	5b If you use a Dell toner, replace the drum cartridges. See "Replacing the Drum Cartridges." a Start the Tool Box on Dell Printer Hub or Dell Printer Management Tool , and then click Reports on the Printer Setting Reports tab. b Click Color Test Page . If the problem persists, contact Dell.

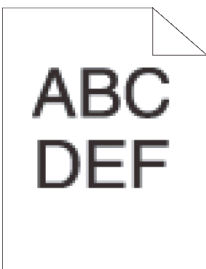
Problem	Action
	<p>6 Replace the drum cartridge and the toner cartridge with a Dell toner. See "Replacing the Drum Cartridges" and "Replacing the Toner Cartridges."</p> <p>a Start the Tool Box on Dell Printer Hub or Dell Printer Management Tool, and then click Reports on the Printer Setting Reports tab.</p> <p>b Click Color Test Page.</p> <p>If the problem persists, contact Dell.</p>

Bead-Carry-Out (BCO)



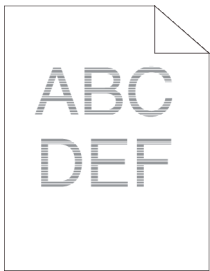
Problem	Action
Bead-Carry-Out (BCO) occurs.	<p>1 If the printer is installed in a high altitude location, set the altitude of the location.</p> <p>a Start the Tool Box on Dell Printer Hub or Dell Printer Management Tool, and then click Service Tools on the Printer Maintenance tab.</p> <p> NOTE:</p> <ul style="list-style-type: none"> For details about how to start the Tool Box, see "Tool Box." <p>b Under Adjust Altitude, select the value close to the altitude of the location where the printer is installed.</p> <p>c Click Reports on the Printer Setting Reports tab.</p> <p>d Click Color Test Page for verification.</p> <p>If the problem persists, proceed to step 2.</p> <hr/> <p>2 Replace the drum cartridges. See "Replacing the Drum Cartridges."</p> <p>a Start the Tool Box, and then click Reports on the Printer Setting Reports tab.</p> <p>b Click Color Test Page for verification.</p> <p>If the problem persists, contact Dell.</p>


Jagged Characters



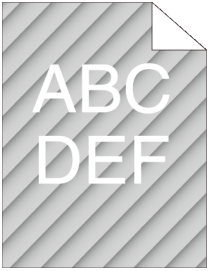
Problem	Action
The printout has jagged characters.	1 Set Screen to Fineness in the print driver. a On the Others tab, set Screen under Image Options to Fineness . If the problem persists, proceed to step 2.
	2 Set Print Mode to High Quality in the print driver. a On the Graphics tab, make sure that Output Color is set to Color . b Select High Quality from Print Mode . If the problem persists, proceed to step 3.
	3 Enable Print Page Mode in the print driver. a On the Others tab, set Print Page Mode under Image Options to On . If the problem persists, proceed to step 4.
	4 If using a downloaded font, make sure that the font is compatible for the printer, operating system, and the program being used. If the problem persists, contact Dell.


Horizontal Bands



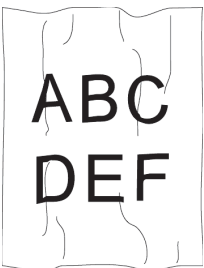
Problem	Action
The printout has horizontal bands.	1 Locate the cause of the problem using the Pitch Configuration Chart. a Start the Tool Box on Dell Printer Hub or Dell Printer Management Tool, and then click Chart Print on the Diagnosis tab.  NOTE: <ul style="list-style-type: none"> For details about how to start the Tool Box, see "Tool Box." b Click Pitch Configuration Chart for verification. If the location of the problem is drum cartridge, proceed to step 2. If the cause of the problem is not located, contact Dell.
	2 Replace the drum cartridges. See "Replacing the Drum Cartridges." a Start the Tool Box on Dell Printer Hub or Dell Printer Management Tool. b Click Chart Print on the Diagnosis tab. c Click Pitch Configuration Chart for verification. If the problem persists, contact Dell.

Diagonal Lines



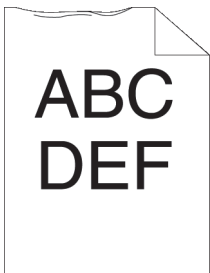
Problem	Action
The printout has diagonal lines.	<ol style="list-style-type: none">1 Locate the cause of the problem using the Pitch Configuration Chart.<ol style="list-style-type: none">a Start the Tool Box on Dell Printer Hub or Dell Printer Management Tool, and then click Chart Print on the Diagnosis tab.<ul style="list-style-type: none"> NOTE:<ul style="list-style-type: none">• For details about how to start the Tool Box, see "Tool Box."b Click Pitch Configuration Chart for verification.If the output matches with the pattern for diagonal lines, proceed to step 2. If the output does not match with the pattern for diagonal lines, contact Dell. 2 Replace the drum cartridges. See "Replacing the Drum Cartridges." If the problem persists, contact Dell.

Wrinkled/Stained Printout



Problem	Action
The printout is wrinkled. The printout is stained.	<ol style="list-style-type: none"> 1 Verify that the correct print media is being used. See "Supported Print Media." If not, use the print media recommended for the printer. If the problem persists on envelopes, proceed to step 2. If the problem persists on print media other than envelopes, proceed to step 4. 2 Make sure that the wrinkle of the four edges of the envelope is within 30 mm. If the problem persists on envelopes, proceed to step 3. 3 Load the envelopes in the Multipurpose Feeder (MPF) properly. See "Loading Envelopes in the MPF" and "Loading Envelopes in the Tray1." If the problem persists on envelopes, proceed to step 4. 4 Adjust the paper guides properly. If the problem persists, proceed to step 5. 5 Replace the print media with the freshly unpackaged, undamaged one. If the problem persists, contact Dell.

Damage on the Leading Edge of Printout



Problem	Action
The printout is damaged on its leading edge.	<ol style="list-style-type: none"> 1 Adjust the paper guides properly. If the problem persists, proceed to step 2. 2 When using the Multipurpose Feeder (MPF), reverse the paper and then try again. If the problem persists, proceed to step 3a. When using any of the trays, change the paper and then try again. If the problem persists, contact Dell. 3a Change the paper with another one and then try again. If the problem persists, proceed to step 3b. 3b Use any of the trays in place of the MPF. If the problem persists, contact Dell.

Jam/Alignment Problems

NOTE:

- Some of the following procedures that use the Tool Box on Dell Printer Hub and Dell Printer Management Tool can be performed using the operator panel or Dell Printer Configuration Web Tool. See "Tool Box," "Understanding the System Menus," and "Dell™ Printer Configuration Web Tool."

Incorrect Margins on the Top and Side



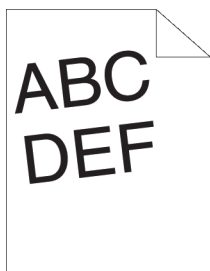
Problem	Action
The top and side margins are incorrect.	1 Adjust the paper guides properly. If the problem persists, proceed to step 2.
	2 Use any of the trays in place of the MPF. If the problem persists, proceed to step 3.
	3 Make sure that the margins are set correctly on the program being used. If the problem persists, contact Dell.

Disorganized Color Registration



Problem	Action
Color registration is out of alignment.	1 Adjust the settings of the paper type on the print driver to those of the tray or feeder. If the problem persists, proceed to step 2.
	2 Execute auto color registration adjustment. a Press the (i) (Information) button and tap the Tools tab → Admin Settings → Maintenance → Color Reg Adjust → Auto Correct → Start . If the problem persists, contact Dell.

Skewed Images



Problem	Action
The printout is skewed.	1 Adjust the paper guides properly. If the problem persists, proceed to step 2.
	2 Use any of the trays in place of the MPF. If the problem persists, proceed to step 3.
	3 Replace the print media with the freshly unpackaged, undamaged one. If the problem persists, contact Dell.

Tray1/Optional 550-Sheet Feeder Misfeed Jam

Problem	Action
Print media misfeeds occur in tray1 or the optional 550-sheet feeder.	1 Make sure that tray1 or the optional 550-sheet feeder is properly inserted. If the type of the print media being used is thick, proceed to 2a. If the type of the print media being used is thin, proceed to 2b. If the type of the print media being used is coated, proceed to 2c. If using paper other than the above, proceed to steps 2d and 2e.
	2a Use thick paper that is 216 g/m ² or less. If the problem persists, proceed to step 3a.
	2b Use thin paper that is 60 g/m ² or more. If the problem persists, proceed to step 3a.
	2c Load coated paper one sheet at a time. If the problem persists, proceed to step 3b.
	2d Make sure that the print media is not curled. If the problem persists, proceed to step 3b.
	2e Make sure that the print media is not damp. If the print media is not damp, proceed to step 3a. If the print media is damp, proceed to step 3c.
	3a Fan the print media. If the problem persists, proceed to step 3b.
	3b Wipe the retard roller in tray1 or the optional 550-sheet feeder with a cloth moistened with water. If the problem persists, proceed to step 4b.
	3c Turn over the print media. If the problem persists, proceed to step 4a.
	4a Use print media that is not damp. If the problem persists, proceed to step 3a.
	4b Replace the drum cartridges. If the problem persists, contact Dell.

Multipurpose Feeder (MPF) Misfeed Jam

Problem	Action
Print media misfeeds occur in the MPF.	1 Make sure that the MPF is properly inserted. If the type of the print media being used is thick, proceed to 2a. If the type of the print media being used is thin, proceed to 2b. If the type of the print media being used is coated, proceed to 2c. If the type of the print media being used is envelope, proceed to 2d. If using paper other than the above, proceed to step 2e.
	2a Use thick paper that is 216 g/m ² or less. If the problem persists, proceed to step 3a.
	2b Use thin paper that is 60 g/m ² or more. If the problem persists, proceed to step 3a.
	2c Load coated paper one sheet at a time. If the problem persists, proceed to step 3b.
	2d Make sure that the envelope is properly loaded in the MPF as instructed in "Loading Envelopes in the MPF." If the problem persists, proceed to step 3c.
	2e Make sure that the print media is not damp. If the print media is not damp, proceed to step 3a. If the print media is damp, proceed to step 3c.
	3a Fan the print media. If the problem persists, proceed to step 3b.
	3b Wipe the retard roller in the MPF with a cloth moistened with water. If the problem persists, proceed to step 4a.
	3c If the envelope is deformed, correct it or use another envelope. If the problem persists, proceed to step 3a.
	3d Turn over the print media. If the problem persists, proceed to step 4a.
	4a Use print media that is not damp. If the problem persists, proceed to step 4b.
	4b Replace the drum cartridges. If the problem persists, contact Dell.

Regi Jam (Exit Sensor On JAM)

Problem	Action
Regi jam (Exit Sensor On JAM) occurs.	1 Make sure that the drum cartridges are installed correctly. If the problem persists, proceed to step 2.
	2 Replace the drum cartridges. See "Replacing the Drum Cartridges." If the problem persists, contact Dell.

Tray1/Optional 550-Sheet Feeder Multi-feed Jam

Problem	Action
Print media multiple-feeds occur in tray1 or optional 550-sheet feeder.	1 Make sure that tray1 or the optional 550-sheet feeder is properly inserted. If using coated paper, proceed to step 2a. If using other type of print media, proceed to step 2b.
	2a Load coated paper one sheet at a time. If the problem persists, proceed to step 3.
	2b Use print media that is not damp. If the problem persists, proceed to step 3.
	3 Fan the print media. If the problem persists, proceed to step 4.
4 Wipe the retard roller in tray1 or the optional 550-sheet feeder where the multi-feed occurred with a cloth moistened with water. If the problem persists, contact Dell.	

Multipurpose Feeder (MPF) Multi-feed Jam

Problem	Action
Print media multiple feeds occur in the MPF.	1 Check the media type you are using. If using coated paper, proceed to step 2a. If using other type of print media, proceed to step 2b.
	2a Load coated paper one sheet at a time. If the problem persists, proceed to step 3.
	2b Use print media that is not damp. If the problem persists, proceed to step 3.
	3 Fan the print media. If the problem persists, proceed to step 4.
	4 Wipe the retard roller in the MPF where the multi-feed occurred with a cloth moistened with water. If the problem persists, proceed to step 5.
5 Decrease the number of print media to be loaded to the MPF. If the problem persists, contact Dell.	

Noise

Problem	Action
The printout has noise.	1 To specify the cause of the noise, perform the Auto Registration Adjustment. If the problem persists, proceed to step 2.
	2 Replace the waste toner box. See "Replacing the Waste Toner Box." If the problem persists, proceed to step 3.
	3 Replace the drum cartridges. See "Replacing the Drum Cartridges." If the problem persists, proceed to step 4.
	4 Replace the toner cartridge (K). See "Replacing the Toner Cartridges." If the problem persists, proceed to step 5.

Problem	Action
	5 Replace the toner cartridge (Y). See "Replacing the Toner Cartridges." If the problem persists, proceed to step 6.
	6 Replace the toner cartridge (M). See "Replacing the Toner Cartridges." If the problem persists, proceed to step 7.
	7 Replace the toner cartridge (C). See "Replacing the Toner Cartridges." If the problem persists, contact Dell.

Copy Problems

Problem	Action
A document loaded in the DADF cannot be copied.	Make sure that the DADF cover is firmly closed. Make sure that the release lever is properly positioned.
Vertical blanks or streaks appear on the output when scanned using the DADF.	Clean the DADF glass. See "Cleaning the Scanner." Clean inside the printer by using the cleaning rod. See "Cleaning the LED Print Head."
The copy is misaligned or skewed.	Before loading the document(s) on the DADF, straighten the edges of the stack of the document(s). Load the document correctly, and align the document guides to the document. See "Loading a Document in the Duplex Automatic Document Feeder (DADF)."

Fax Problems

NOTE:

- If Panel Lock Control is set to Enable, you need to enter the four-digit password to enter the Admin Settings menu.

Problem	Action
The printer is not working, there is no display and the buttons are not working.	Unplug the power cord and plug it in again. Make sure that there is power to the electrical receptacle.
No dial tone sounds.	Make sure that the phone line is connected properly. See "Connecting Your Printer to a Telephone Line." Make sure that the phone socket in the wall is working by plugging in another phone. Diagnose the fax connection. See "Fax Line Test."
The numbers stored in the memory do not dial correctly.	Make sure that the numbers are stored in the memory correctly. Print a phone book list.
The document does not feed into the printer.	Make sure that the document is not wrinkled and you are putting it in correctly. Check that the document is of the right size, not too thick or thin. Make sure that the DADF cover is firmly closed.

Problem	Action
Faxes are not received automatically.	<p>The Fax mode should be selected.</p> <p>Make sure that there is paper in the paper tray.</p> <p>Check if MFP Memory Full is displayed on the touch panel.</p> <p>If the time interval specified for the following features is too long, change the time interval shorter such as 30 seconds.</p> <ul style="list-style-type: none"> • Auto Rec Fax • Auto Rec TEL/FAX • Auto Rec Ans/FAX <p>Diagnose the fax connection. See "Fax Line Test."</p>
The printer does not send faxes.	<p>Sending Fax should show up on the touch panel.</p> <p>Check the other fax machine you are sending to, to see if it can receive your fax.</p> <p>Check the dialing type for Tone, Pulse (10PPS) or Pulse (20PPS).</p> <p>Make sure that the document is loaded in the DADF or on the document glass.</p> <p>Diagnose the fax connection. See "Fax Line Test."</p>
The incoming fax has blank spaces or is received in poor quality.	<p>Check the printer by making a copy.</p> <p>The toner cartridge may be empty. Replace the toner cartridge. See "Replacing the Toner Cartridges."</p> <p>A noisy phone line can cause line errors. Set the fax modem speed to a slower speed.</p> <p>The remote machine may be faulty.</p>
Some of the words on an incoming fax are stretched.	<p>The remote machine had a temporary document jam.</p>
There are lines on the documents you send.	<p>Check the surface of the document glass and DADF glass for marks and clean it. See "Cleaning the Scanner."</p>
The printer dials a number, but the connection with the remote machine fails.	<p>The remote machine may be turned off, out of paper, or cannot answer incoming calls. Speak with the remote machine operator and ask her/him to sort out the problem.</p>
Documents are not stored in the memory.	<p>There may not be enough memory to store the document. If MFP Memory Full is displayed on the touch panel, delete any documents you no longer need from the memory. And then, restore the document, or wait for the job in progress such as fax transmission or reception to complete.</p>
Blank areas appear at the bottom of each page or on other pages, with a small strip of text at the top.	<p>You may have chosen the wrong paper settings in the user option setting. See "Print Media Guidelines."</p>
The printer does not send or receive faxes.	<p>Make sure that the country code is set correctly.</p> <p>Press the i (Information) button and tap the Tools tab → Admin Settings → Fax Settings → Fax Line Settings → Country.</p> <p>Check the dialing type for Tone or Pulse.</p> <p>Make sure that the cables are connected properly.</p> <p>If the telephone cable is connected to the printer via any device such as an answering machine and a computer, remove the device and directly connect the telephone cable to the printer.</p> <p>Make sure that Junk Fax Setup is set to Off.</p>

Problem	Action
An error often occurs during a fax transmission or reception.	Reduce the modem speed. Press the i (Information) button and tap the Tools tab → Admin Settings → Fax Settings → Transmission Defaults → Modem Speed .
The printer receive faxes, but it does not print.	Check the toner level. Make sure that there is paper in the paper tray. Make sure that Received Fax Forward is set to Off . Make sure that the printer is in the secure receiving mode. If this mode is turned on, enter the correct password or turn off this mode to print faxes in memory.

Scanning Problems

Problem	Action
The scanner does not work.	Make sure that you place the document to be scanned facing down on the document glass, or facing up in the DADF. There may not be enough available memory to hold the document you want to scan. Lower the scan resolution rate and then try scanning again. Make sure that the USB or Ethernet cable is connected properly. Make sure that the USB or Ethernet cable is not defective. Switch the cable with a known good cable. If necessary, replace the cable. If using the network TWAIN or Windows® Image Acquisition (WIA) driver, check that the Ethernet cable is connected properly and the IP address of the printer is set correctly. See "Verifying the IP Settings." Make sure that the scanner is configured correctly. Check the program you want to use to make certain that the scanner job is being sent to the correct port. Make sure that the scanner sharing feature of a Macintosh is disabled before you scan documents via an ICA compatible program such as Image Capture. The printer does not support the scanner sharing feature of Mac OS X. Select a printer which is directly connected to the computer via USB or wired/wireless LAN and scan documents.
The printer scans very slowly.	Graphics are scanned more slowly than text when using the Scan to Email or Scan to Network Folder feature. Communication speed becomes slow in scan mode because of the large amount of memory required to analyze and reproduce the scanned data. Scanning images at a high resolution takes more time than scanning at a low resolution.

Problem	Action
Document misfeeds or multiple feeds occur in the DADF.	<p>Make sure that the DADF roller assembly is installed properly.</p> <p>Make sure that the document's paper type meets the specifications for the printer. See "Supported Print Media."</p> <p>Make sure that the document is properly loaded in the DADF.</p> <p>Make sure that the document guides are adjusted properly.</p> <p>Make sure that the number of document sheets does not exceed the maximum capacity of the DADF.</p> <p>Make sure that the document is not curled.</p> <p>Fan the document well before loading it in the DADF.</p>
Vertical blanks or streaks appear on the output when scanned using the DADF.	Clean the DADF glass. See "Cleaning the Scanner."
A smear appears at the same location on the output when scanned using the document glass.	Clean the document glass. See "Cleaning the Scanner."
Images are skewed.	<p>Make sure that the document is loaded straight in the DADF or on the document glass.</p> <p>Before loading the document(s) on the DADF, straighten the edges of the stack of the document(s).</p>
Diagonal lines appear jagged when scanned using the DADF.	For documents of thick paper, use the document glass.
<p>Message appears on your computer screen:</p> <ul style="list-style-type: none"> • "Device can't be set to the H/W mode you want." • "Port is being used by another program." • "Port is Disabled." • "Scanner is busy receiving or printing data. When the current job is completed, try again." • "Invalid handle." • "Scanning has failed." 	<p>There may be a copy or print job in progress. When the current job is complete, try the job again.</p> <p>The selected port is currently being used. Restart your computer and try again.</p> <p>The cable may be improperly connected or the printer may be turned off.</p> <p>The scanner driver is not installed or an operating environment is not set up properly.</p> <p>Make sure that the port is properly connected and the printer is turned on. Then restart your computer.</p> <p>Make sure that the USB or Ethernet cable is connected properly.</p>
The printer does not properly transfer scan data to a specified destination via the Scan to Email or Scan to Network Folder feature.	<p>Make sure that the following settings have been set correctly on Dell Printer Configuration Web Tool.</p> <p>Scan to Network Folder:</p> <p>Check the following settings under Address Book → Server Address.</p> <ul style="list-style-type: none"> • Server Address • Share Name • Server Path • Login Name • Login Password <p>Scan to Email:</p> <p>Check the following setting under Address Book → E-Mail Address.</p> <ul style="list-style-type: none"> • Address

Problem	Action
Scanning using TWAIN or Windows® Image Acquisition (WIA) cannot be performed on a Windows Server® 2008 or Windows Server® 2008 R2 computer.	<p>Install Desktop Experience on the computer.</p> <p>To install Desktop Experience:</p> <ol style="list-style-type: none"> 1 Click Start, point to Administrative Tools, and then click Server Manager. 2 Under Features Summary, click Add Features. 3 Select the Desktop Experience check box, click Next, and then click Install. 4 Restart the computer.
Scanning using TWAIN or Windows® Image Acquisition (WIA) cannot be performed on a Windows Server® 2012 or Windows Server® 2012 R2 computer.	<p>Install Desktop Experience on the computer.</p> <p>To install Desktop Experience:</p> <ol style="list-style-type: none"> 1 Click Server Manager from the Start screen. 2 Under Manage, click Add Roles and Features. 3 Click Next to skip the Before you begin page. 4 Make sure that Role-based or feature-based installation is selected, and then click Next. 5 Make sure that Select a server from the server pool is selected, select the server under Server Pool, and then click Next. 6 Click Next to skip the Select server roles page. 7 Select the Desktop Experience check box under User Interfaces and Infrastructure, and then click Next. 8 Click Confirmation from the list on the left. 9 Select the Restart the destination server automatically if required check box, and then click Install. 10 Restart the computer.

Digital Certificate Problems

Problem	Action
The certificate import button is disabled.	SSL/TLS communication may be disabled. Create a self-signed certificate and enable SSL/TLS.
The certificate details button is disabled.	
The certificate cannot be imported.	<p>The time setting may be incorrect. Check validity period of the certificate as well as the time setting of the device.</p> <p>The certificate file may be incorrect. Make sure that the password is correct.</p> <p>Make sure that the file type is PKCS#7/#12 or x509CACert.</p> <p>Make sure that the attribute information such as key Usage or Extended key usage of the certificate to be imported is set correctly.</p> <p>The browser may be incorrect. Use Internet Explorer.</p>
016-404 is displayed when trying to use security settings that require certificates.	The certificate data stored in internal memory may be either deleted, corrupt, or may not be readable. Import the certificate and enable the security settings again.
A certificate cannot be set with "Certificate Details."	<p>The validity period of the certificate may be expired. Make sure that the time setting of the printer is correct, and whether the validity period of the certificate has expired.</p> <p>The certificate path is invalid. The certificate chain (path validation) of the imported certificate may not be correctly validated. Make sure that all of the high-level certificates (Trusted/Intermediate) have been imported and are not deleted, and whether the validity period has expired.</p>

Problem	Action
Although a certificate was imported, it is not displayed when selecting with "Local Device."	The type of the certificate is incorrect. To import a certificate for use with the device (own device), import the secret key and a certificate of the PKCS#12 (p12/pfx) format as a pair.
Server validation is not operating correctly.	Although importing a root certificate (Trusted) to use for server authentication, an Intermediate certificate may be required when validating the path. When executing a certificate file with the certification authority, create the certificate with a format including all paths and then import that certificate.
Digital Signature cannot be selected with the IPsec setting.	Either the certificate has not been imported or the certificate has not been associated for use with Digital Signature of IPsec. Refer to "Setting the Certificate in the IPsec Digital Signature Mode" to set a certificate of IPsec.

Wireless Problems

NOTE:

- Wireless network is available on Dell H625cdw and Dell H825cdw.

Problem	Action
Cannot setup wireless connection.	Ensure that the Ethernet cable is disconnected from the printer. Ensure that Wi-Fi is set to On. See "Wi-Fi WPS." The firewall on your computer may be blocking communication with your printer. Disable the firewall on your computer. Ensure that your local wireless network is supported on 802.11b/g/n at 2.4 GHz.
Cannot setup wireless connection with WPS (Wi-Fi Protected Setup).	Ensure that the security setting of the wireless LAN access point or router is WPA or WPA2. (WEP is not supported on WPS.)
Cannot setup wireless connection with the WPS-PBC (Wi-Fi Protected Setup-Push Button Configuration).	Press the WPS button on the wireless LAN access point or router within 2 minutes after starting the WPS operation on the printer. For details about the wireless LAN access point or router, refer to the manual supplied with the wireless LAN access point or router.
Cannot setup wireless connection with WPS-PIN (Wi-Fi Protected Setup-Personal Identification Number).	Check if the PIN you have entered on the computer is correct.

Problems With Installed Optional 550-sheet feeder

If an optional 550-sheet feeder does not operate correctly following installation or stops working, perform the following:

- Turn off the printer, wait for 10 seconds, and then turn it on again. If this does not fix the problem, unplug the printer, and then check the connection between the optional 550-sheet feeder and the printer.
- Print the system settings report to see if the optional 550-sheet feeder is listed in the Installed Options list. If the optional 550-sheet feeder is not listed, re-install it. See "Report / List."
- Make sure that the optional 550-sheet feeder is selected in the print driver you are using.

The following table lists corrective actions for related problems. If the suggested corrective action does not correct the problem, contact Dell.

Problem	Action
The optional 550-sheet feeder does not work correctly.	Make sure that the optional 550-sheet feeder is correctly installed on the printer. Re-install the feeder. See "Removing the Optional 550-Sheet Feeder," and refer to the installation instruction that comes with the optional 550-sheet feeder.
	Make sure that the print media is loaded correctly. See "Loading Print Media in Tray1 and the Optional 550-Sheet Feeder."

Wi-Fi Direct Problems



NOTE:

- Wi-Fi Direct is available on Dell H625cdw and Dell H825cdw.

Problem	Action
The mobile device cannot discover the printer.	The printer may be connected to another mobile device via Wi-Fi Direct. Disconnect the printer and the mobile device. See "Disconnecting Wi-Fi Direct Network."
The printer cannot disconnect from the mobile device even when the procedure in "Disconnecting Wi-Fi Direct Network" has been performed.	The mobile device may be automatically reconnecting to the printer. Reset the passphrase for Wi-Fi Direct and disconnect the mobile device. See "Resetting the Passphrase."
The network mode of the printer cannot be set to Ad-hoc mode.	Make sure that Wi-Fi Direct is set to Disable .
Wi-Fi Direct cannot be set to Enable .	Make sure that the network mode is set to Infrastructure mode. Make sure that the IP mode is set to a mode other than IPv6 .

Scanner Driver/Printer Utility Problems

Problem	Action
Unable to retrieve the address book data from the printer on the Address Book Editor.	Make sure that the USB or Ethernet cable is connected properly. Make sure that the printer is turned on. Make sure that the scanner driver is installed on your computer. The Address Book Editor retrieves the address book data via the scanner driver when the printer is connected using a USB cable.
The TWAIN driver cannot connect to the printer.	Make sure that the USB or Ethernet cable is connected properly. If using the network connection, check that IP address of the printer is set correctly. See "Scanning Using the TWAIN Driver." Check if the printer is turned on. If the printer is turned on, restart it by turning off the printer and then on again. If a scan program is running, close the program, restart the program, and then try scanning again.
The scanner driver has not been registered on your computer.	Install the scanner driver. If the scanner driver is installed, uninstall it and then re-install it again.

Other Problems

Problem	Action
Condensation has occurred inside the printer.	This usually occurs within several hours after you heat the room in winter. This also occurs when the printer is operating in a location where relative humidity reaches 85% or more. Adjust the humidity or relocate the printer to an appropriate environment.

Problem	Action
A problem has occurred when using Dell Document Hub.*	Visit www.dell.com/dochub .

* Dell Document Hub is available on Dell H625cdw and Dell H825cdw.

Contacting Service

When you call for printer service, be prepared to describe the problem you are experiencing or the error message that appears.

You need to know the model type and Service Tag number of your printer. See the label located inside the front cover of your printer and write down the Service Tag number. For details on the location of the Service Tag, see "Express Service Code and Service Tag."

Appendix

Appendix

Dell™ Technical Support Policy

Technician-assisted technical support requires the cooperation and participation of the customer in the troubleshooting process and provides for restoration of the operating system, software program and hardware drivers to the original default configuration as shipped from Dell, as well as the verification of appropriate functionality of the printer and all Dell-installed hardware. In addition to this technician assisted technical support, online technical support is available at Dell Support. Additional technical support options may be available for purchase.

Dell provides limited technical support for the printer and any Dell-installed software and peripherals. Support for third-party software and peripherals is provided by the original manufacturer, including those purchased and/or installed through Software & Peripherals (DellWare), ReadyWare, and Custom Factory Integration (CFI/DellPlus).

Online Services

You can access Dell Support through the following websites:

- Product support and manuals
www.dell.com/support
www.dell.com/support/manuals
www.dell.com/printer

Warranty and Return Policy

Dell Inc. ("Dell") manufactures its hardware products from parts and components that are new or equivalent to new in accordance with industry-standard practices. For details about the Dell warranty for the printer, visit www.dell.com/support.

Recycling Information

It is recommended that customers dispose of their used computer hardware, monitors, printers, and other peripherals in an environmentally sound manner. Potential methods include reuse of parts or whole products and recycling of products, components, and/or materials.

For specific information on Dell's worldwide recycling programs, visit www.dell.com/recycle.

Contacting Dell

You can contact Dell electronically using the following addresses:

- World Wide Web
www.dell.com/contactdell

New Zealand PTC200 Warnings

General warning

"The grant of a Telepermit for any item of terminal equipment indicates only that Telecom has accepted that the item complies with minimum conditions for connection to its network. It indicates no endorsement of the product by Telecom, nor does it provide any sort of warranty. Above all, it provides no assurance that any item will work correctly in all respects with another item of Telepermitted equipment of a different make or model, nor does it imply that any product is compatible with all of Telecom's network services"

Warnings taken from Specification text

2.11.1 Compliance testing (6) & (7) (Functional tests)

"This equipment is not capable, under all operating conditions, of correct operation at the higher speeds for which it is designed. Telecom will accept no responsibility should difficulties arise in such circumstances"

4.5.1 Off-hook line impedance

(4) "This equipment does not fully meet Telecom's impedance requirements. Performance limitations may occur when used in conjunction with some parts of the network. Telecom will accept no responsibility should difficulties arise in such circumstances"

4.9.3 Non-voice equipment

(4) "This equipment is not capable, under all operating conditions, of correct at the higher speeds for which it is designed. Telecom will accept no responsibility should difficulties arise in such circumstances"

5.6.1 General requirements (automatic dialling devices)

(3) "This equipment shall not be set up to make automatic calls to the Telecom '111' Emergency Service

5.5.5 User instructions

(4) If a charge for local calls is unacceptable, the 'Dial' button should NOT be used for local calls. Only the 7-digits of the local number should be dialled from your telephone. DO NOT dial the area code digit or the '0' prefix

8.1.7 User Instructions (automatic call set-up)

(b) This equipment shall not be set up to make automatic calls to the Telecom '111' Emergency Service

8.2.1(b) Call answering

When this equipment is set up call answering not within 3~30 sec., the telephone or answering machine shall answer incoming call with 3~30sec.

USA/Canada Wi-Fi Warnings

Class B:

FEDERAL COMMUNICATIONS COMMISSION INTERFERENCE STATEMENT

This equipment has been tested and found to comply with the limits for a Class B digital device, pursuant to part 15 of the FCC Rules. These limits are designed to provide reasonable protection against harmful interference in a residential installation. This equipment generates, uses and can radiate radio frequency energy and, if not installed and used in accordance with the instructions, may cause harmful interference to radio communications. However, there is no guarantee that interference will not occur in a particular installation. If this equipment does cause harmful interference to radio or television reception, which can be determined by turning the equipment off and on, the user is encouraged to try to correct the interference by one or more of the following measures:

- Reorient or relocate the receiving antenna.
- Increase the separation between the equipment and receiver.
- Connect the equipment into an outlet on a circuit different from that to which the receiver is connected.
- Consult the dealer or an experienced radio/ TV technician for help.

CAUTION:

Any changes or modifications not expressly approved by the grantee of this device could void the user's authority to operate the equipment.

Labeling Requirements

This device complies with Part 15 of the FCC Rules. Operation is subject to the following two conditions: (1) this device may not cause harmful interference, and (2) this device must accept any interference received, including interference that may cause undesired operation.

RF Exposure Warning

This equipment must be installed and operated in accordance with provided instructions and the antenna(s) used for this transmitter must be installed to provide a separation distance of at least 20 cm from all persons and must not be co-located or operating in conjunction with any other antenna or transmitter. End-users and installers must be provide with antenna installation instructions and transmitter operating conditions for satisfying RF exposure compliance.

Canada, Industry Canada (IC) Notices

This Class B digital apparatus complies with Canadian ICES-003 and RSS-210.

Operation is subject to the following two conditions: (1) this device may not cause interference, and (2) this device must accept any interference, including interference that may cause undesired operation of the device.

Radio Frequency (RF) Exposure Information

The radiated output power of the Wireless Device is below the Industry Canada (IC) radio frequency exposure limits. The Wireless Device should be used in such a manner such that the potential for human contact during normal operation is minimized.

This device has also been evaluated and shown compliant with the IC RF Exposure limits under mobile exposure conditions. (antennas are greater than 20cm from a person's body).

This device has been certified for use in Canada. Status of the listing in the Industry Canada's REL (Radio Equipment List) can be found at the following web address:

<http://www.ic.gc.ca/app/sitt/reltel/srch/nwRdSrch.do?lang=eng>

Additional Canadian information on RF exposure also can be found at the following web address:

<http://www.ic.gc.ca/eic/site/smt-gst.nsf/eng/sf08792.html>

Canada, avis d'Industry Canada (IC)

Cet appareil numérique de classe B est conforme aux normes canadiennes ICES-003 et RSS-210.

Son fonctionnement est soumis aux deux conditions suivantes : (1) cet appareil ne doit pas causer d'interférence et (2) cet appareil doit accepter toute interférence, notamment les interférences qui peuvent affecter son fonctionnement.

Informations concernant l'exposition aux fréquences radio (RF)

La puissance de sortie émise par l'appareil de sans fil Dell est inférieure à la limite d'exposition aux fréquences radio d'Industry Canada (IC). Utilisez l'appareil de sans fil Dell de façon à minimiser les contacts humains lors du fonctionnement normal.

Ce périphérique a également été évalué et démontré conforme aux limites d'exposition aux RF d'IC dans des conditions d'exposition à des appareils mobiles (les antennes se situent à moins de 20 cm du corps d'une personne).

Ce périphérique est homologué pour l'utilisation au Canada. Pour consulter l'entrée correspondant à l'appareil dans la liste d'équipement radio (REL - Radio Equipment List) d'Industry Canada rendez-vous sur:

<http://www.ic.gc.ca/app/sitt/reltel/srch/nwRdSrch.do?lang=eng>

Pour des informations supplémentaires concernant l'exposition aux RF au Canada rendez-vous sur :

<http://www.ic.gc.ca/eic/site/smt-gst.nsf/eng/sf08792.html>

Canada IC Statement

NOTICE:

- This equipment meets the applicable Industry Canada Terminal Equipment Technical Specifications. This is confirmed by the registration number. The abbreviation, IC, before the registration number signifies that registration was performed based on a Declaration of Conformity indicating that Industry Canada technical specifications were met. It does not imply that Industry Canada approved the equipment.
- The Ringer Equivalence Number (REN) for this terminal equipment is 0.0. The REN assigned to each terminal equipment provides an indication of the maximum number of terminals allowed to be connected to a telephone interface. The termination on an interface may consist of any combination of devices subject only to the requirement that the sum of the Ringer Equivalence Numbers of all the devices does not exceed five.

Avis :

- Le présent matériel est conforme aux spécifications techniques d'Industrie Canada applicables au matériel terminal. Cette conformité est confirmée par le numéro d'enregistrement. Le sigle IC, placé devant le numéro d'enregistrement, signifie que l'enregistrement s'est effectué conformément à une déclaration de conformité et indique que les spécifications techniques d'Industrie Canada ont été respectées. Il n'implique pas qu'Industrie Canada a approuvé le matériel.
- L'indice d'équivalence de la sonnerie (IES) du présent matériel est de 0.0. L'IES assigné à chaque dispositif terminal indique le nombre maximal de terminaux qui peuvent être raccordés à une interface téléphonique. La terminaison d'une interface peut consister en une combinaison quelconque de dispositifs, à la seule condition que la somme d'indices d'équivalence de la sonnerie de tous les dispositifs n'excède pas 5.

Free Manuals Download Website

<http://myh66.com>

<http://usermanuals.us>

<http://www.somanuals.com>

<http://www.4manuals.cc>

<http://www.manual-lib.com>

<http://www.404manual.com>

<http://www.luxmanual.com>

<http://aubethermostatmanual.com>

Golf course search by state

<http://golfingnear.com>

Email search by domain

<http://emailbydomain.com>

Auto manuals search

<http://auto.somanuals.com>

TV manuals search

<http://tv.somanuals.com>