

## DTE-20T DTE Accessory

# Instruction Sheet


Thank you very much for choosing DTE-20T. Please read this instruction sheet before using your DTE-20T to ensure proper operation. Keep this instruction sheet handy for quick reference.

### ■ Warning

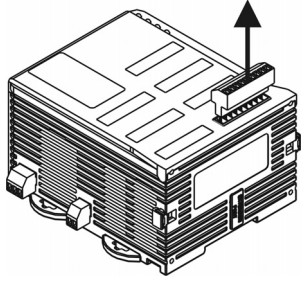
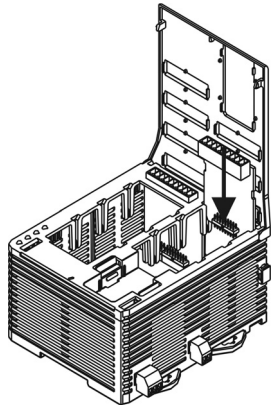
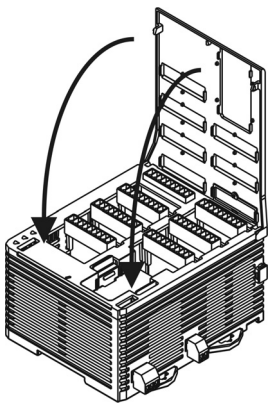
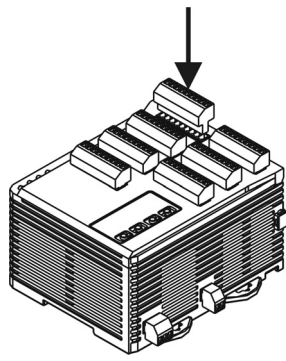
1. Please hold the plastic terminal when installing DTE-20T to prevent electrostatic discharge (ESD).
2. Prevent dust or metallic debris from falling into the device and cause malfunction. DO NOT modify or uninstall DTE-20T without being permitted. DO NOT use empty terminals.
3. When installing DTE-20T, please make sure the power of DTE main unit is switched off and insert DTE-20T into the correct slot on DTE main unit.
4. Make sure you install DTE-20T correctly before switching on the power; otherwise serious damage may occur.
5. DO NOT touch the terminals or repair the device when the power is on; otherwise an electric shock may occur.

### ■ Functions & Electrical Specifications

Power consumption	Max. 0.5W
Input sensor	4 channels of thermocouple: K, J, T, E, N, R, S, B, L, U, TXK
Sampling cycle	Thermocouple: 1.0 second (4 channels)
Terminal connection	Can only be inserted into <b>INB</b> slot on DTE10T main unit

 The sensor slot (INA/INB) only accepts the same input type. For example, if you select DTE-20T as accessory, you can only use it on DTE-10T main unit.

### ■ How to Install

<p>① Remove all the terminal blocks on the panel.</p> 	<p>② Uncover the panel. Make sure which slot is the correct one and insert DTE-20T into the slot.</p> 	<p>③ Cover up the panel.</p> 	<p>④ Insert the terminal blocks back.</p> 
---	---	---	---

## Free Manuals Download Website

<http://myh66.com>

<http://usermanuals.us>

<http://www.somanuals.com>

<http://www.4manuals.cc>

<http://www.manual-lib.com>

<http://www.404manual.com>

<http://www.luxmanual.com>

<http://aubethermostatmanual.com>

Golf course search by state

<http://golfingnear.com>

Email search by domain

<http://emailbydomain.com>

Auto manuals search

<http://auto.somanuals.com>

TV manuals search

<http://tv.somanuals.com>