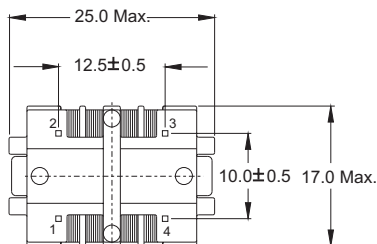
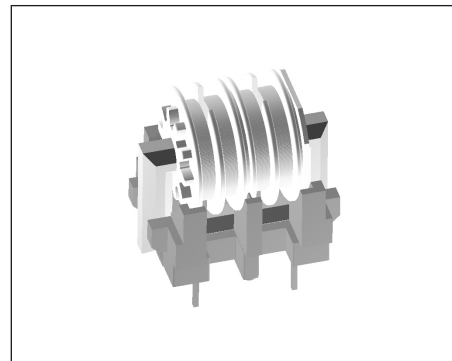
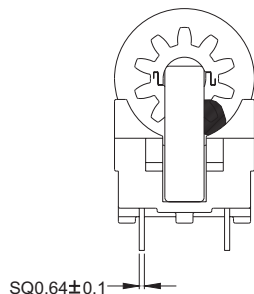
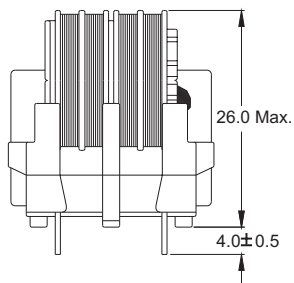


# Common Chokes

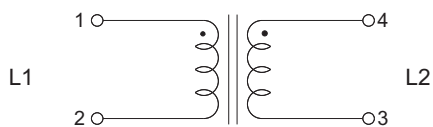
## EMI Common-Mode Suppression Inductors

### LFO24V Type

Mechanical Dimension: Unit: mm



Schematic :



### Electrical Characteristics:

■ AT 25°C, 40KHz/1V Tested:

PART NO.	INDUCTANCE (mH) MIN	DCR (mΩ) MAX	RATED CURRENT (Aac)	TEMPERATURE RISE (°C) MAX
LFO24V01	44.2	2450	0.4	45
LFO24V02	30.0	1430	0.6	45
LFO24V03	15.3	740	0.8	45
LFO24V04	9.8	500	1.0	45
LFO24V05	7.4	380	1.2	45
LFO24V06	5.5	275	1.6	45
LFO24V07	3.8	190	2.0	45

\* WITHSTANDING VOLTAGE BETWEEN L1 & L2 1.5KV 1 MINUTE  
\* GOOD DIFFERENCE IN WINDING L1 & L2 INDUCTANCE



DELTA ELECTRONICS, INC.

(TAOYUAN PLANT CPBG) 252, SAN YING ROAD, KUEISAN INDUSTRIAL ZONE, TAOYUAN SHIEN, 333, TAIWAN, R.O.C.  
TEL: 886-3-3591968; FAX: 886-3-3591991  
<http://www.deltaww.com>

## Free Manuals Download Website

<http://myh66.com>

<http://usermanuals.us>

<http://www.somanuals.com>

<http://www.4manuals.cc>

<http://www.manual-lib.com>

<http://www.404manual.com>

<http://www.luxmanual.com>

<http://aubethermostatmanual.com>

Golf course search by state

<http://golfingnear.com>

Email search by domain

<http://emailbydomain.com>

Auto manuals search

<http://auto.somanuals.com>

TV manuals search

<http://tv.somanuals.com>