

Igniter

IGT006 Type

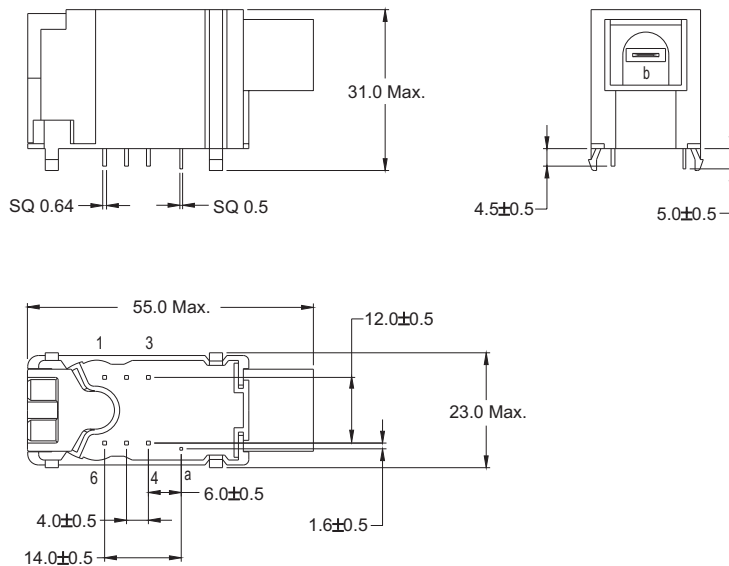
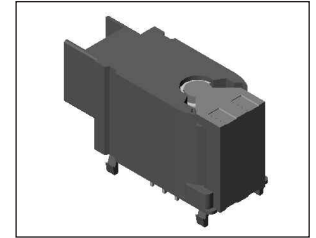
Features

- When printing message is given, the driver will offer H.V. To start the lamp for scanning the information and then performing printing.

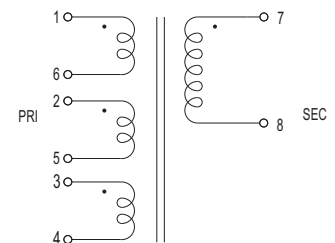
Applications

- Printer Driver

Mechanical Dimension: Unit: mm



Transformer Schematic :

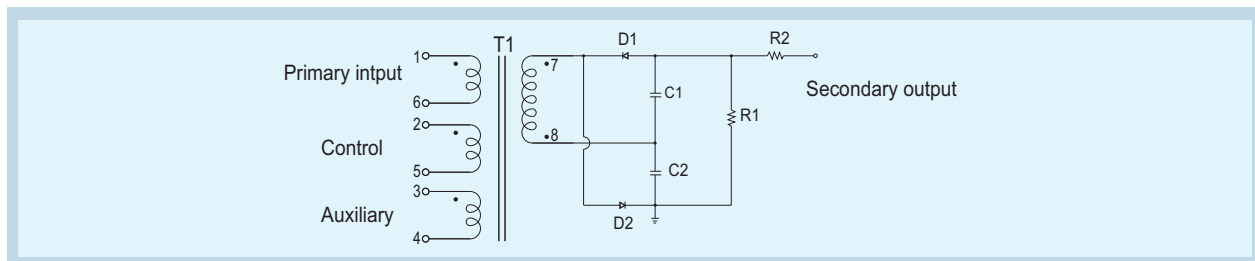


Electrical Characteristics:

- AT 25°C, 65%RH

PART NO.	PRIMARY INPUT VOLTAGE (Vdc)	SECONDARY OUTPUT VOLTAGE (KVdc)	WEIGHT
IGT-006	5.0~24.0	2.0~6.0	39g

Construction Circuit:



DELTA ELECTRONICS, INC.

(TAOYUAN PLANT CPBG) 252, SAN YING ROAD, KUEISAN INDUSTRIAL ZONE, TAOYUAN SHIEN, 333, TAIWAN, R.O.C.

TEL: 886-3-3591968; FAX: 886-3-3591991

<http://www.deltawww.com>

Free Manuals Download Website

<http://myh66.com>

<http://usermanuals.us>

<http://www.somanuals.com>

<http://www.4manuals.cc>

<http://www.manual-lib.com>

<http://www.404manual.com>

<http://www.luxmanual.com>

<http://aubethermostatmanual.com>

Golf course search by state

<http://golfingnear.com>

Email search by domain

<http://emailbydomain.com>

Auto manuals search

<http://auto.somanuals.com>

TV manuals search

<http://tv.somanuals.com>