

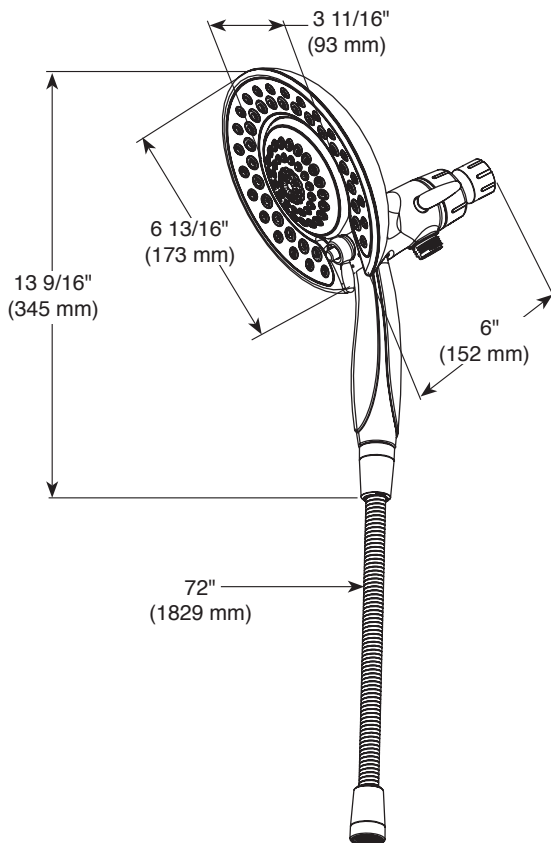
IN2ITION®

- 2-In-1 Shower
- 5-Spray Setting Hand Shower
- Touch-Clean® Nozzles

Submitted Model No.: _____

Specific Features: _____

75583▲ 2.0 GPM



- Full Body Spray
- Slow Massage
- Fast Massage
- Full Spray w/ Massage
- Pause

STANDARD SPECIFICATIONS:

- Maximum flow rate 2.0 gpm @ 80 PSI, 7.6L/min @ 552kPa.
- Integrated handshower docks securely into showerhead when not in use.
- Multiple handshower spray settings.
- 3-Way diverter allows use of handshower only, showerhead only or both on at one time.
- Fixed showerhead with 8" extra-wide spray.
- Matching plated face and push-button pause control, lever to change sprays, easy single-handed operation.
- 72"(1829mm) Ribbon hose.
- Hand held shower with five spray settings - not a positive shut-off.

WARRANTY

- Lifetime limited warranty on parts (other than electronic parts and batteries) and finishes; or, for commercial users, for 5 years from the date of purchase.
- 5 year limited warranty on electronic parts (other than batteries); or for commercial users, for 1 year from the date of purchase. No warranty is provided on batteries.



COMPLIES WITH

- ASME A112.18.1 / CSA B125.1
- EPA WaterSense®

▲ Designate proper finish suffix

Delta reserves the right (1) to make changes in specifications and materials, and (2) to change or discontinue models, both without notice or obligation. Dimensions are for reference only. See current full-line price book or www.deltafaucet.com for finish options and product availability.

DSP-B-75583 Rev. A



55 E. 111th Street, Indianapolis, Indiana 46280
 350 South Edgeware Road, St. Thomas, Ontario Canada N5P 4L1
 © 2015 Masco Corporation of Indiana

Free Manuals Download Website

<http://myh66.com>

<http://usermanuals.us>

<http://www.somanuals.com>

<http://www.4manuals.cc>

<http://www.manual-lib.com>

<http://www.404manual.com>

<http://www.luxmanual.com>

<http://aubethermostatmanual.com>

Golf course search by state

<http://golfingnear.com>

Email search by domain

<http://emailbydomain.com>

Auto manuals search

<http://auto.somanuals.com>

TV manuals search

<http://tv.somanuals.com>