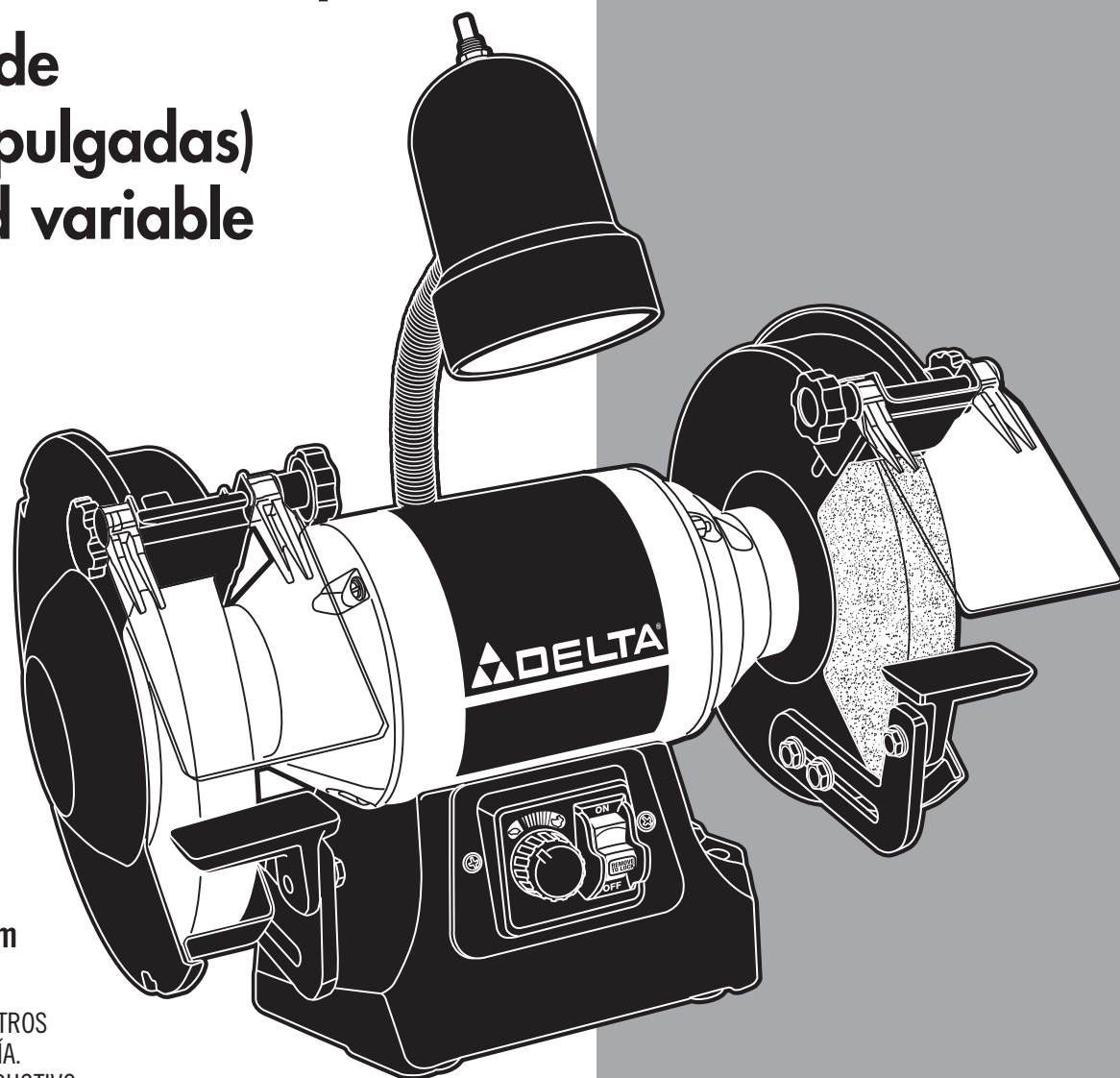




8" Variable Speed Grinder

Meuleuse à vitesse
variable de 203 mm (8 po)

Amoladora de
203 mm (8 pulgadas)
de velocidad variable



Français (16)
Español (30)

Instruction manual
Manuel d'utilisation
Manual de instrucciones

www.deltaportercable.com

INSTRUCTIVO DE OPERACIÓN, CENTROS
DE SERVICIO Y PÓLIZA DE GARANTÍA.

▲ ADVERTENCIA: LÉASE ESTE INSTRUCTIVO
ANTES DE USAR EL PRODUCTO.

GR450

TABLE OF CONTENTS

IMPORTANT SAFETY INSTRUCTIONS	2	TROUBLESHOOTING	14
SAFETY GUIDELINES - DEFINITIONS	2	MAINTENANCE	14
GENERAL SAFETY RULES	3	ACCESSORIES	14
ADDITIONAL SPECIFIC SAFETY RULES	4	SERVICE	14
FUNCTIONAL DESCRIPTION	6	WARRANTY	15
CARTON CONTENTS	7	FRANÇAIS	16
ASSEMBLY	8	ESPAÑOL	30
OPERATION	10		

IMPORTANT SAFETY INSTRUCTIONS

⚠ WARNING Read and understand all warnings and operating instructions before using any tool or equipment. When using tools or equipment, basic safety precautions should always be followed to reduce the risk of personal injury. Improper operation, maintenance or modification of tools or equipment could result in serious injury and property damage. There are certain applications for which tools and equipment are designed. Delta Machinery strongly recommends that this product NOT be modified and/or used for any application other than for which it was designed.



If you have any questions relative to its application DO NOT use the product until you have written Delta Machinery and we have advised you. Contact us online at www.deltaportercable.com or by mail at Technical Service Manager, Delta Machinery, 4825 Highway 45 North, Jackson, TN 38305. In Canada, 125 Mural St. Suite 300, Richmond Hill, ON, L4B 1M4)

Information regarding the safe and proper operation of this tool is available from the following sources:

- **Power Tool Institute**, 1300 Sumner Avenue, Cleveland, OH 44115-2851 or online at www.powertoolinstitute.org
- **National Safety Council**, 1121 Spring Lake Drive, Itasca, IL 60143-3201
- **American National Standards Institute**, 25 West 43rd Street, 4 floor, New York, NY 10036 www.ansi.org - ANSI 01.1 Safety Requirements for Woodworking Machines
- **U.S. Department of Labor** regulations www.osha.gov

SAVE THESE INSTRUCTIONS!

SAFETY GUIDELINES - DEFINITIONS

It is important for you to read and understand this manual. The information it contains relates to protecting YOUR SAFETY and PREVENTING PROBLEMS. The symbols below are used to help you recognize this information.



⚠ DANGER Indicates an imminently hazardous situation which, if not avoided, will result in death or serious injury.

⚠ WARNING Indicates a potentially hazardous situation which, if not avoided, could result in death or serious injury.

⚠ CAUTION Indicates a potentially hazardous situation which, if not avoided, may result in minor or moderate injury.

CAUTION Used without the safety alert symbol indicates potentially hazardous situation which, if not avoided, may result in property damage.

CALIFORNIA PROPOSITION 65

⚠ WARNING Some dust created by power sanding, sawing, grinding, drilling, and other construction activities contains chemicals known to cause cancer, birth defects or other reproductive harm. Some examples of these chemicals are:

- lead from lead-based paints,
- crystalline silica from bricks and cement and other masonry products, and
- arsenic and chromium from chemically-treated lumber.

Your risk from these exposures varies, depending on how often you do this type of work. To reduce your exposure to these chemicals: work in a well ventilated area, and work with approved safety equipment, always wear NIOSH/OSHA approved, properly fitting face mask or respirator when using such tools.

GENERAL SAFETY RULES

⚠ WARNING: Failure to follow these rules may result in serious personal injury.

- FOR YOUR OWN SAFETY, READ THE INSTRUCTION MANUAL BEFORE OPERATING THE MACHINE.** Learning the machine's application, limitations, and specific hazards will greatly minimize the possibility of accidents and injury.
- WEAR EYE AND HEARING PROTECTION. ALWAYS USE SAFETY GLASSES.** Everyday eyeglasses are NOT safety glasses. USE CERTIFIED SAFETY EQUIPMENT. Eye protection equipment should comply with ANSI Z87.1 standards. Hearing equipment should comply with ANSI S3.19 standards.
- WEAR PROPER APPAREL.** Do not wear loose clothing, gloves, neckties, rings, bracelets, or other jewelry which may get caught in moving parts. Nonslip protective footwear is recommended. Wear protective hair covering to contain long hair.
- DO NOT USE THE MACHINE IN A DANGEROUS ENVIRONMENT.** The use of power tools in damp or wet locations or in rain can cause shock or electrocution. Keep your work area well-lit to prevent tripping or placing arms, hands, and fingers in danger.
- MAINTAIN ALL TOOLS AND MACHINES IN PEAK CONDITION.** Keep tools sharp and clean for best and safest performance. Follow instructions for lubricating and changing accessories. Poorly maintained tools and machines can further damage the tool or machine and/or cause injury.
- CHECK FOR DAMAGED PARTS.** Before using the machine, check for any damaged parts. Check for alignment of moving parts, binding of moving parts, breakage of parts, and any other conditions that may affect its operation. A guard or any other part that is damaged **should be properly repaired or replaced with Delta or factory authorized replacement parts.** Damaged parts can cause further damage to the machine and/or injury.
- KEEP THE WORK AREA CLEAN.** Cluttered areas and benches invite accidents.
- KEEP CHILDREN AND VISITORS AWAY.** Your shop is a potentially dangerous environment. Children and visitors can be injured.
- REDUCE THE RISK OF UNINTENTIONAL STARTING.** Make sure that the switch is in the "OFF" position before plugging in the power cord. In the event of a power failure, move the switch to the "OFF" position. An accidental start-up can cause injury. Do not touch the plug's metal prongs when unplugging or plugging in the cord.
- USE THE GUARDS.** Check to see that all guards are in place, secured, and working correctly to prevent injury.
- REMOVE ADJUSTING KEYS AND WRENCHES BEFORE STARTING THE MACHINE.** Tools, scrap pieces, and other debris can be thrown at high speed, causing injury.
- USE THE RIGHT MACHINE.** Don't force a machine or an attachment to do a job for which it was not designed. Damage to the machine and/or injury may result.
- USE RECOMMENDED ACCESSORIES.** The use of accessories and attachments not recommended by Delta may cause damage to the machine or injury to the user.
- USE THE PROPER EXTENSION CORD.** Make sure your extension cord is in good condition. When using an extension cord, be sure to use one heavy enough to carry the current your product will draw. An undersized cord will cause a drop in line voltage, resulting in loss of power and overheating. See the Extension Cord Chart for the correct size depending on the cord length and nameplate ampere rating. If in doubt, use the next heavier gauge. The smaller the gauge number, the heavier the cord.
- SECURE THE WORKPIECE.** Use clamps or a vise to hold the workpiece when practical. Loss of control of a workpiece can cause injury.
- FEED THE WORKPIECE AGAINST THE DIRECTION OF THE ROTATION OF THE BLADE, CUTTER, OR ABRASIVE SURFACE.** Feeding it from the other direction will cause the workpiece to be thrown out at high speed.
- DON'T FORCE THE WORKPIECE ON THE MACHINE.** Damage to the machine and/or injury may result.
- DON'T OVERREACH.** Loss of balance can make you fall into a working machine, causing injury.
- NEVER STAND ON THE MACHINE.** Injury could occur if the tool tips, or if you accidentally contact the cutting tool.
- NEVER LEAVE THE MACHINE RUNNING UNATTENDED. TURN THE POWER OFF.** Don't leave the machine until it comes to a complete stop. A child or visitor could be injured.
- TURN THE MACHINE "OFF", AND DISCONNECT THE MACHINE FROM THE POWER SOURCE** before installing or removing accessories, changing cutters, adjusting or changing set-ups. When making repairs, be sure to lock the start switch in the "OFF" position. An accidental start-up can cause injury.
- MAKE YOUR WORKSHOP CHILDPROOF WITH PADLOCKS, MASTER SWITCHES, OR BY REMOVING STARTER KEYS.** The accidental start-up of a machine by a child or visitor could cause injury.
- STAY ALERT, WATCH WHAT YOU ARE DOING, AND USE COMMON SENSE. DO NOT USE THE MACHINE WHEN YOU ARE TIRED OR UNDER THE INFLUENCE OF DRUGS, ALCOHOL, OR MEDICATION.** A moment of inattention while operating power tools may result in injury.
- ⚠ WARNING: USE OF THIS TOOL CAN GENERATE AND DISBURSE DUST OR OTHER AIRBORNE PARTICLES, INCLUDING WOOD DUST, CRYSTALLINE SILICA DUST AND ASBESTOS DUST.** Direct particles away from face and body. Always operate tool in well ventilated area and provide for proper dust removal. Use dust collection system wherever possible. Exposure to the dust may cause serious and permanent respiratory or other injury, including silicosis (a serious lung disease), cancer, and death. Avoid breathing the dust, and avoid prolonged contact with dust. Allowing dust to get into your mouth or eyes, or lay on your skin may promote absorption of harmful material. Always use properly fitting NIOSH/OSHA approved respiratory protection appropriate for the dust exposure, and wash exposed areas with soap and water.

ADDITIONAL SPECIFIC SAFETY RULES

⚠ WARNING Failure to follow these rules may result in serious personal injury.

1. **DO NOT OPERATE THIS MACHINE** until it is completely assembled and installed according to the instructions. A machine incorrectly assembled can cause serious injury.
2. **OBTAIN ADVICE** from your supervisor, instructor, or another qualified person if you are not thoroughly familiar with the operation of this machine. Knowledge is safety.
3. **FOLLOW ALL WIRING CODES** and recommended electrical connections to prevent shock or electrocution.
4. **ALWAYS USE THE PROVIDED BLOTTER AND WHEEL FLANGES** to mount the grinding wheels on the grinder shaft to prevent wheel damage or accidental separation. Separation can result in fragments flying off the wheel at high speeds.
5. **USE ONLY WHEELS** suitable for the speed of the machine. Unsuitable grinding wheels can come apart, throwing fragments out at high speeds.
6. **USE ONLY WHEELS** that have a bore exactly equal to the arbors of the machine. Never attempt to machine an undersized wheel to fit an arbor. Unsuitable grinding wheels can come apart, throwing fragments out at high speeds.
7. **DO NOT OVERTIGHTEN WHEEL NUT.**
8. **DO NOT USE A WHEEL THAT VIBRATES.** Dress the grinding wheel, replace it, or replace the bearings of the shaft. Unsuitable grinding wheels can come apart, throwing fragments at high speeds.
9. **INSPECT WHEELS** before starting the machine for cracks or fragments. **REPLACE DAMAGED WHEELS** immediately. Parts of the wheel can be thrown at high speeds causing serious injury.
10. **ADJUST EYE SHIELDS** close to the grinding wheel, and re-adjust as the wheel wears down. Flying sparks are dangerous and can cause fires or explosions.
11. **ALWAYS MAKE SURE** the eye shields are in place, properly adjusted, and secured.
12. **ADJUST TOOL RESTS** close to the grinding wheel (1/8" separation or less). Tighten the tool rest securely to prevent shifting positions, and re-adjust as the wheel wears down. The workpiece can be drawn into the wheel, causing damage to the workpiece and/or serious injury.
13. **STAND TO ONE SIDE** before turning the machine "ON". Loose fragments or wheel parts could fly from the wheel at high speeds.
14. **NEVER GRIND ON A COLD WHEEL.** Run the grinder for one full minute before applying the workpiece. A cold wheel has a tendency to chip. Those fragments could fly from the wheel at high speeds.
15. **NEVER START THE MACHINE** with the workpiece against the grinding wheel. The workpiece can be drawn into the wheel, causing damage to the machine and/or serious injury.
16. **CLEAN THE MACHINE** thoroughly when processing different types of workpieces (wood, steel, or aluminum). Combining wood and metal dust can create an explosion or fire hazard. **DO NOT GRIND OR POLISH MAGNESIUM.** Fire will result.
17. **NEVER GRIND NEAR FLAMMABLE GAS OR LIQUIDS.** Sparks can create a fire or an explosion.
18. **AVOID AWKWARD OPERATIONS AND HAND POSITIONS.** A sudden slip could cause a hand to move into the grinding wheel.
19. **KEEP ARMS, HANDS, AND FINGERS** away from the wheel. The abrasive surfaces can cause serious injury.
20. **HOLD THE WORKPIECE FIRMLY** against the tool rest. Loss of control of the workpiece can cause serious injury.
21. **DRESS THE WHEEL** on the face only. Dressing the side of the wheel could cause it to become too thin for safe use.
22. **GRIND A WORKPIECE** using the face of the grinding wheel only. Loss of control of the workpiece can cause serious injury.
23. **NEVER APPLY COOLANT** directly to the grinding wheel. Coolant can weaken the bonding strength of the grinding wheel and cause it to fail. Dip the workpiece in water to cool it.
24. **DO NOT TOUCH** the ground portion of a workpiece until it has cooled sufficiently. Grinding creates heat.
25. **PROPERLY SUPPORT LONG OR WIDE WORKPIECES.** Loss of control of the workpiece can cause serious injury.
26. **NEVER PERFORM LAYOUT, ASSEMBLY,** or set-up work on the table/work area when the machine is running. A sudden slip could cause a hand to move into the wheel. Severe injury can result.
27. **TURN THE MACHINE "OFF",** disconnect the machine from the power source, and clean the table/work area before leaving the machine. **LOCK THE SWITCH IN THE "OFF" POSITION** to prevent unauthorized use. Someone else might accidentally start the machine and cause serious injury to themselves.
28. **ADDITIONAL INFORMATION** regarding the safe and proper operation of power tools (i.e. a safety video) is available from the Power Tool Institute, 1300 Sumner Avenue, Cleveland, OH 44115-2851 (www.powertoolinstitute.com). Information is also available from the National Safety Council, 1121 Spring Lake Drive, Itasca, IL 60143-3201. Please refer to the American National Standards Institute ANSI O1.1 Safety Requirements for Woodworking Machines and the U.S. Department of Labor OSHA 1910.213 Regulations.

SAVE THESE INSTRUCTIONS.

Refer to them often and use them to instruct others.

POWER CONNECTIONS

A separate electrical circuit should be used for your machines. This circuit should not be less than #12 wire and should be protected with a 20 Amp time lag fuse. If an extension cord is used, use only 3-wire extension cords which have 3-prong grounding type plugs and matching receptacle which will accept the machine's plug. Before connecting the machine to the power line, make sure the switch (s) is in the "OFF" position and be sure that the electric current is of the same characteristics as indicated on the machine. All line connections should make good contact. Running on low voltage will damage the machine.

⚠ DANGER Do not expose the machine to rain or operate the machine in damp locations.

MOTOR SPECIFICATIONS

Your machine is wired for 120 volts, 60 HZ alternating current. Before connecting the machine to the power source, make sure the switch is in the "OFF" position.

GROUNDING INSTRUCTIONS

⚠ DANGER This machine must be grounded while in use to protect the operator from electric shock.

1. All grounded, cord-connected machines:

In the event of a malfunction or breakdown, grounding provides a path of least resistance for electric current to reduce the risk of electric shock. This machine is equipped with an electric cord having an equipment-grounding conductor and a grounding plug. The plug must be plugged into a matching outlet that is properly installed and grounded in accordance with all local codes and ordinances.

Do not modify the plug provided - if it will not fit the outlet, have the proper outlet installed by a qualified electrician.

Improper connection of the equipment-grounding conductor can result in risk of electric shock. The conductor with insulation having an outer surface that is green with or without yellow stripes is the equipment-grounding conductor. If repair or replacement of the electric cord or plug is necessary, do not connect the equipment-grounding conductor to a live terminal.

Check with a qualified electrician or service personnel if the grounding instructions are not completely understood, or if in doubt as to whether the machine is properly grounded.

Use only 3-wire extension cords that have 3-prong grounding type plugs and matching 3-conductor receptacles that accept the machine's plug, as shown in Fig. A.

Repair or replace damaged or worn cord immediately.

2. Grounded, cord-connected machines intended for use on a supply circuit having a nominal rating less than 150 volts:

If the machine is intended for use on a circuit that has an outlet that looks like the one illustrated in Fig. A, the machine will have a grounding plug that looks like the plug illustrated in Fig. A. A temporary adapter, which looks like the adapter illustrated in Fig. B, may be used to connect this plug to a matching 2-conductor receptacle as shown in Fig. B if a properly grounded outlet is not available. The temporary adapter should be used only until a properly grounded outlet can be installed by a qualified electrician. The green-colored rigid ear, lug, and the like, extending from the adapter must be connected to a permanent ground such as a properly grounded outlet box. Whenever the adapter is used, it must be held in place with a metal screw.

NOTE: In Canada, the use of a temporary adapter is not permitted by the Canadian Electric Code.

⚠ DANGER In all cases, make certain that the receptacle in question is properly grounded. If you are not sure, have a qualified electrician check the receptacle.

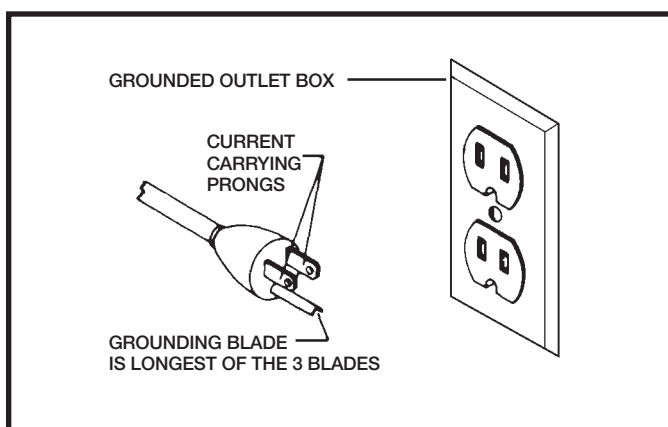


Fig. A

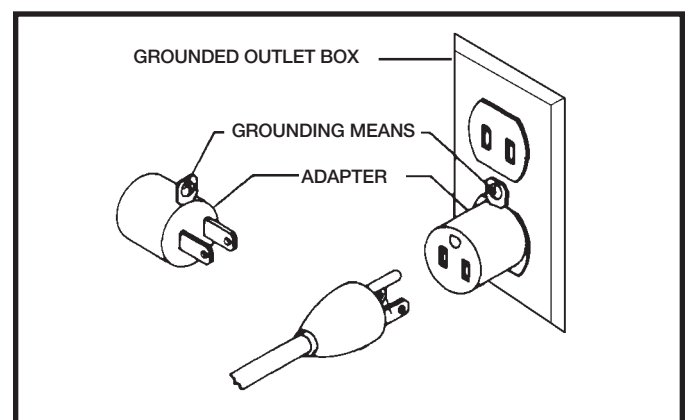


Fig. B

EXTENSION CORDS

⚠ WARNING Use proper extension cords. Make sure your extension cord is in good condition and is a 3-wire extension cord which has a 3-prong grounding type plug and matching receptacle which will accept the machine's plug. When using an extension cord, be sure to use one heavy enough to carry the current of the machine. An undersized cord will cause a drop in line voltage, resulting in loss of power and overheating. Fig. D-1, shows the correct gauge to use depending on the cord length. If in doubt, use the next heavier gauge. The smaller the gauge number, the heavier the cord.

MINIMUM GAUGE EXTENSION CORD			
RECOMMENDED SIZES FOR USE WITH STATIONARY ELECTRIC MACHINES			
Ampere Rating	Volts	Total Length of Cord in Feet	Gauge of Extension Cord
0-6	120	up to 25	18 AWG
0-6	120	25-50	16 AWG
0-6	120	50-100	16 AWG
0-6	120	100-150	14 AWG
6-10	120	up to 25	18 AWG
6-10	120	25-50	16 AWG
6-10	120	50-100	14 AWG
6-10	120	100-150	12 AWG
10-12	120	up to 25	16 AWG
10-12	120	25-50	16 AWG
10-12	120	50-100	14 AWG
10-12	120	100-150	12 AWG
12-16	120	up to 25	14 AWG
12-16	120	25-50	12 AWG
12-16	120	GREATER THAN 50 FEET NOT RECOMMENDED	

Fig. D-1

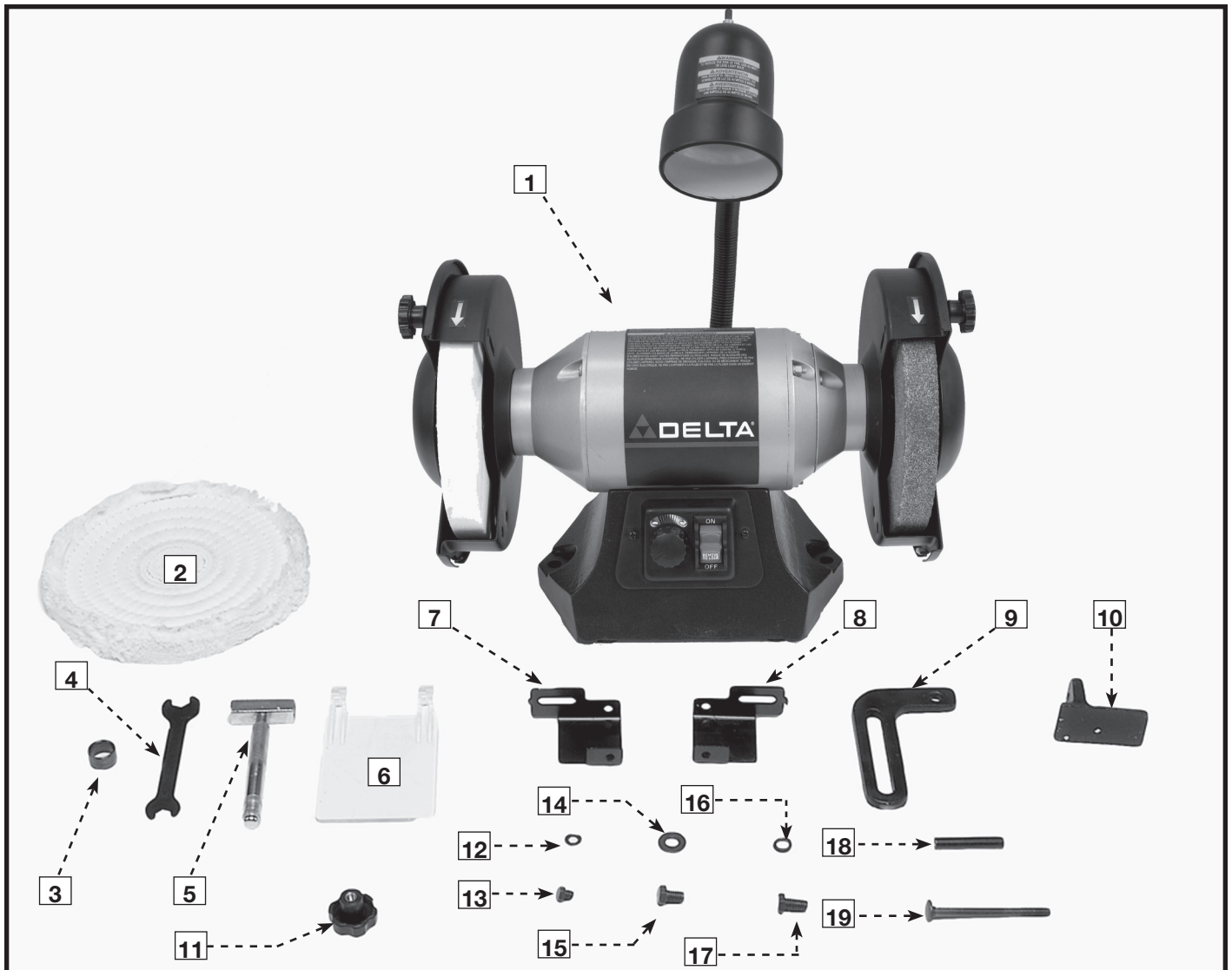
FUNCTIONAL DESCRIPTION

FOREWORD

The Delta GR450 is an 8" Variable Speed Grinder. This model comes with a flexible lamp, adjustable tool rests, buffing wheel, quick release arbor nut system, and two large eye shields for added safety.

NOTICE: The photo on the manual cover illustrates the current production model. All other illustrations contained in the manual are representative only and may not depict the actual labeling or accessories included. These are intended to illustrate technique only.

CARTON CONTENTS



- | | |
|---------------------------|---------------------------------------|
| 1. Grinder | 11. Eye Shield Knob (2) |
| 2. Buffing Wheel | 12. 1/4" Flat Washer (4) |
| 3. Buffing Wheel Bushing | 13. 1/4-20x1/4" Hex Head Screw (2) |
| 4. Wrench | 14. 3/4" Flat Washer (4) |
| 5. Wheel Dresser | 15. 5/16-18 x 1/2" Hex Head Screw (4) |
| 6. Eye Shield (2) | 16. 5/16" Lockwasher (2) |
| 7. Left Side Spark Guard | 17. 5/16-18x3/4" Hex Head Screw (2) |
| 8. Right Side Spark Guard | 18. Eye Shield Spacer (2) |
| 9. Tool Rest Arm (2) | 19. Eye Shield Bolt (2) |
| 10. Tool Rest (2) | |

UNPACKING AND CLEANING

Carefully unpack the machine and all loose items from the shipping container(s). Remove the rust-preventative oil from unpainted surfaces using a soft cloth moistened with mineral spirits, paint thinner or denatured alcohol.

CAUTION Do not use highly volatile solvents such as gasoline, naphtha, acetone or lacquer thinner for cleaning your machine.

After cleaning, cover the unpainted surfaces with a good quality household floor paste wax.

ASSEMBLY

⚠ WARNING For your own safety, do not connect the machine to the power source until the machine is completely assembled and you read and understand the entire instruction manual.

ASSEMBLY TOOLS REQUIRED

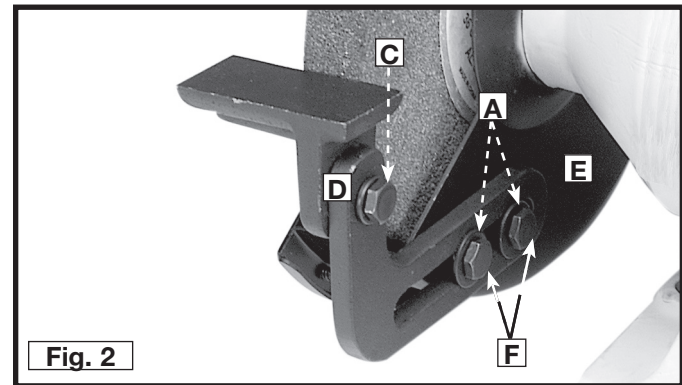
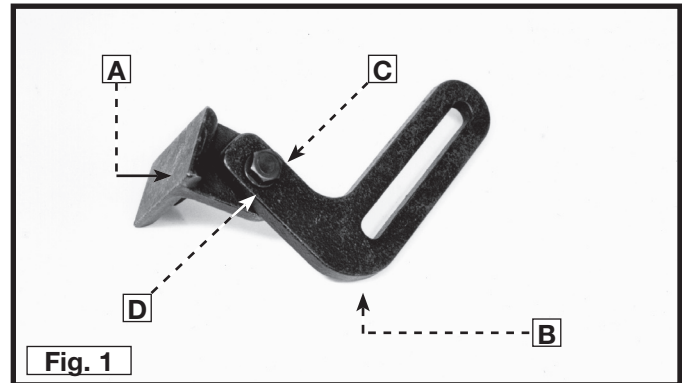
Open end wrench (supplied)

ASSEMBLY TIME ESTIMATE

Assembly for this machine takes approximately 30 minutes.

TOOL RESTS

1. Attach the adjustable tool rest (A) Fig. 1 to the left side of the tool rest arm (B), and fasten with one 5/16-18 x 3/4" hex head screw (C) and 5/16" lockwasher (D). Attach the remaining tool rest to the right side of the tool. Loosely tighten the hardware for further adjustment.
2. Attach the left tool rest assembly (D) Fig. 2 to the inside of the left wheel guard (E), and fasten with two 5/16-18 x 1/2" screws (F) and 3/4" flat washers (G).
3. Attach the right tool rest assembly to the inside of the right wheel guard and fasten with two 5/16-18 x 1/2" hex head screws and 3/4" flat washers.
4. Each tool rest assembly (D) Fig. 4 is adjustable. Each can be positioned slightly below the center-line of the wheel and as close to the grinding wheel as possible, giving maximum support to the workpiece. Maintain a distance of 1/8" or less between the grinding wheel and the inside edge of the tool rest. Adjust the tool rest when the grinding wheel wears down. When the tool rest is positioned correctly, tighten the hardware, (C) and (F) Fig. 2. Freehand grinding without the use of a tool rest should always be done on the lower quarter of the wheel.

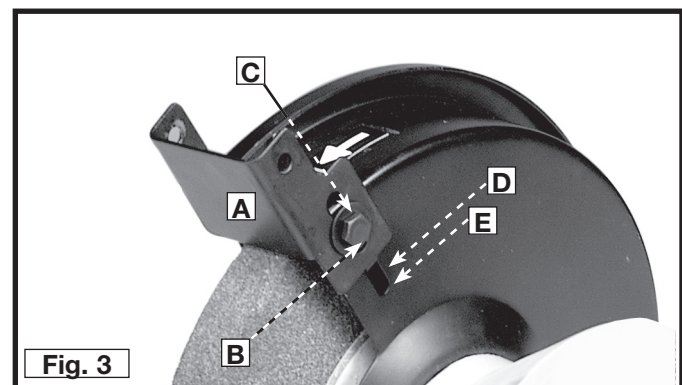


SPARK GUARDS

The spark guard (A) Fig. 3 is mounted to the side of each wheel guard, using a 1/4-20 x 1/4" hex head screw (B) Fig. 3 and a 1/4" flat washer (C).

NOTE: The tab (D) Fig. 3 on the side of the spark guard (A) must be placed in slot (E), before attaching the spark guard (A) to the grinder.

Adjust the spark guard (A) as close as possible to the grinding wheel so that sparks never strike the operator's hand. As the wheels wear down, adjust the spark guard (A) accordingly.



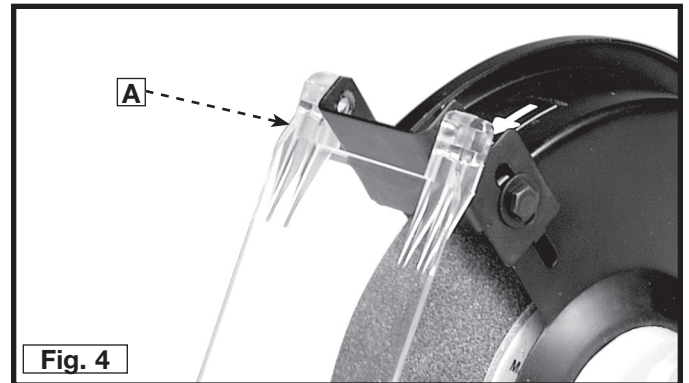
EYE SHIELDS

Your grinder is supplied with two shields to protect your eyes.

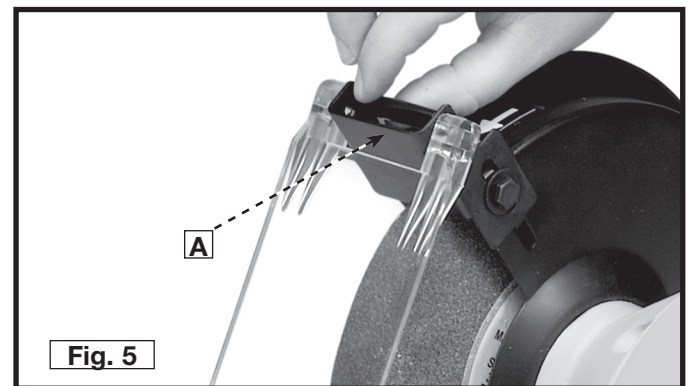
⚠ WARNING Always wear eye protection.

To attach the eye shields:

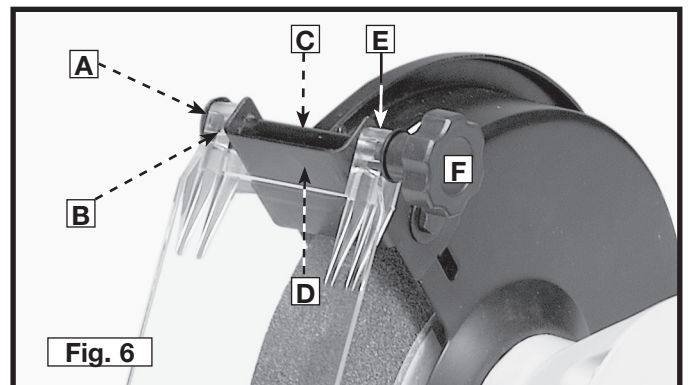
1. Place the eye shield (A) Fig. 4 on the spark guard.



2. Align the holes in the eye shield with the holes in the spark guard. Place the eye shield spacer (A) Fig. 5 in the space in the spark guard.



3. Insert the eye shield bolt (A) Fig. 6 through the hole in the eye shield (B), the eye shield spacer (C), and the spark guard (D).
4. Place a 1/4" flat washer (E) Fig. 6 on the end of the eye shield bolt. Attach the eye shield knob (F) to the end of the eye shield bolt.
5. Install the other eye shield in the same manner.



FASTENING THE GRINDER A SUPPORTING SURFACE

If the grinder has a tendency to tip over, slide, or walk, secure it to the supporting surface, using fasteners (not supplied) through the two holes (A) Fig. 7 in the grinder base.



OPERATION

OPERATIONAL CONTROLS AND ADJUSTMENTS

STARTING AND STOPPING THE GRINDER

⚠ WARNING Make sure that the switch is in the "OFF" position before plugging cord into outlet. Do not touch the plug's metal prongs when unplugging or plugging in the cord.

The on/off switch (A) Fig. 8 is located on the front of the grinder. To turn the machine "ON", move the switch up to the "ON" position. To turn the machine "OFF", move the switch (A) down to the "OFF" position.

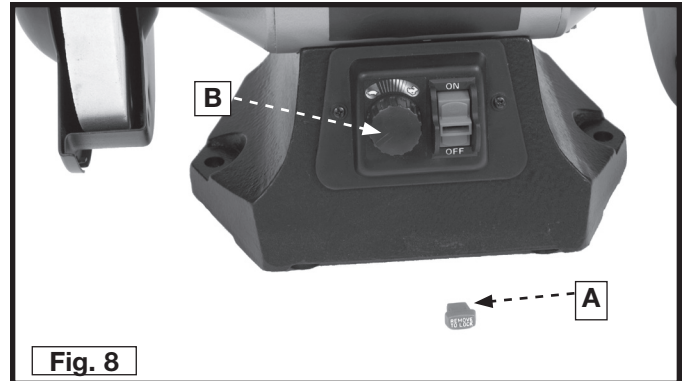
LOCKING SWITCH IN THE "OFF" POSITION

IMPORTANT: When the machine is not in use, the switch should be locked in the "OFF" position to prevent unauthorized use. To lock the machine, grasp the switch toggle (A) and pull it out of the switch (Fig. 8). With the switch toggle (A) removed, the switch will not operate. However, should the switch toggle be removed while the grinder is running, the machine can be turned "OFF," but cannot be restarted without re-inserting the switch toggle (A).

⚠ WARNING In the event of a power outage (such as a breaker or fuse trip), always move the switch to the "OFF" position until the main power is restored.

VARIABLE SPEED CONTROL

The grinder is equipped with a variable speed control (B) Fig. 8. When the variable speed control knob is positioned at the far left position (counter clockwise), the RPM is 1725. The rotation increases when the variable speed control knob is turned clockwise. Positioned far right, the RPM is 3450.



FLEXIBLE LAMP

The flexible lamp operates independently of the grinder. To turn the lamp on and off, rotate the switch (A) Fig. 10.

⚠ WARNING To reduce the risk of fire, use 40 watt or smaller, 120 volt, reflector track type light bulb (not supplied). A standard household light bulb should not be used. The reflector track type light bulb should not extend below the lamp shade.



GRINDING WHEELS

▲WARNING The use of accessories and attachments not recommended by Delta may result in a risk of injury.

Grinding wheels used with this grinder should be rated for 3600 RPM or higher, 8" in diameter with a 5/8" arbor hole, and 1" wide.

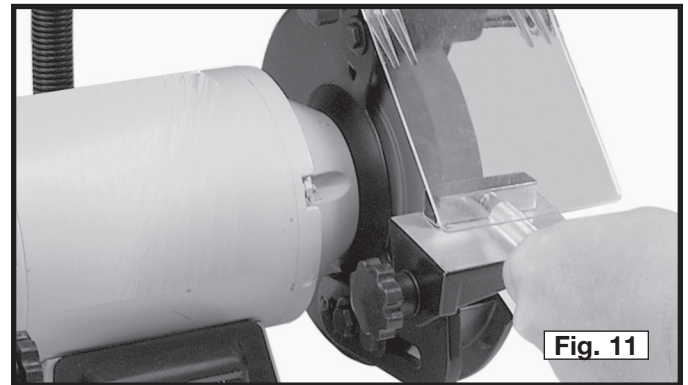
CAUTION Using wheels less than 1" wide will cause vibration and could damage the machine.

Two aluminum oxide grinding wheels (36 grit and 60 grit) are supplied with your grinder. For best results, and to maintain balance, keep the wheels properly dressed. Do not force the work against a cold wheel. The grinding wheel should always be run for one full minute before applying a workpiece. Use only balanced wheels with your grinder. Using balanced wheels adds years to the life of the bearings on the grinder. By eliminating the most common source of vibration, your grinding projects will be more accurate.

▲WARNING ALWAYS maintain a distance of 1/8" or less between the grinding wheel and the tool rest. Adjust the tool rests and spark guards as the grinding wheels decrease in size with use.

DRESSING A GRINDING WHEEL

Use a suitable silicone carbide stick type dresser or the wheel dresser provided with the grinder (Fig. 11). Bring the dresser forward on the tool rest until it just touches the high point on the face of the wheel. Dress the wheel by moving the dresser back and forth. Repeat this operation until the face of the grinding wheel is clean and the edges are square.



CHANGING GRINDING WHEELS

▲WARNING Disconnect the machine from the power source.

1. Loosen the knobs (A) Fig. 12 and remove.
2. Rotate the wheel covers (B) Fig. 12 toward the rear, and remove the wheel covers.
3. Pull the two arbor nut wings (A) Fig. 13 out.
4. To loosen, place the included wrench (B) Fig. 13B on the flats of the motor shaft and brace it on the tool rest to keep the shaft from turning while removing the arbor nut (A) Fig. 13. To loosen either arbor nut, turn it toward the front of the grinder.

NOTE: If necessary, insert a flat screwdriver (A) Fig. 13B through the opening in the arbor nut and use it to provide more torque to loosen the nut.

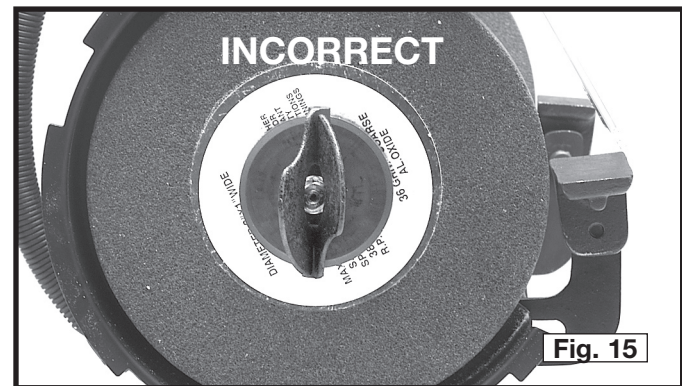
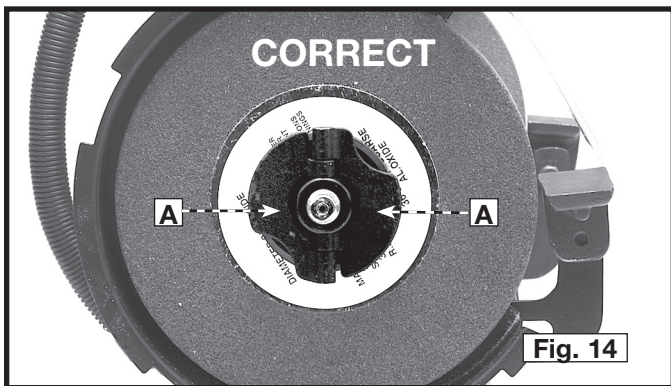
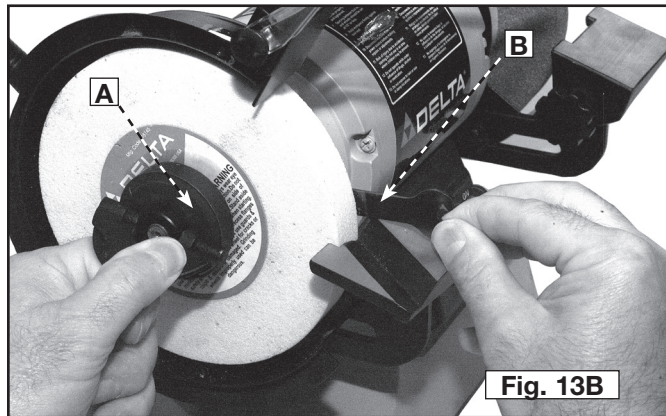
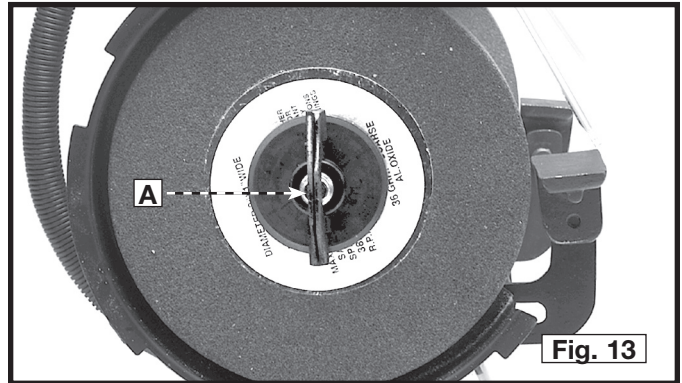
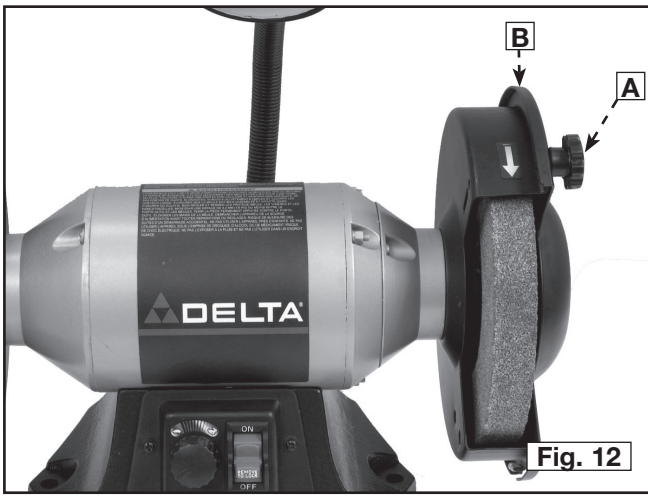
5. Remove the arbor nut, wheel flange, and old grinding wheel.
6. Place the new grinding wheel on the arbor.

NOTE: Grinding wheel must be 1" wide.

7. Place the flange on the arbor and thread the arbor nut on the arbor until the arbor nut makes contact with the arbor flange. Push the arbor nut wings (A) Fig. 13 out to the closed position. The wings must lay flat against the arbor flange (Fig. 14) and not left in the open position (Fig. 15).

CAUTION The arbor nut wings must be flat against the arbor flange to prevent vibration.

8. Replace the wheel covers that were removed in **STEPS 1 and 2**.
9. Adjust the spark guards and tool rests before operating the machine.



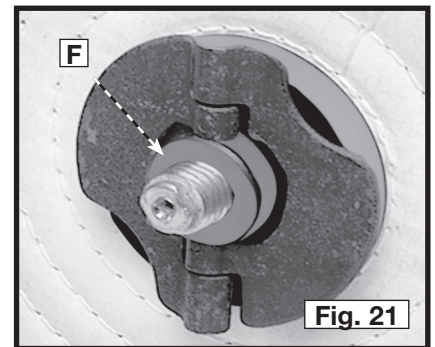
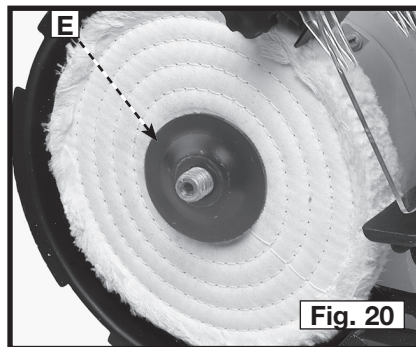
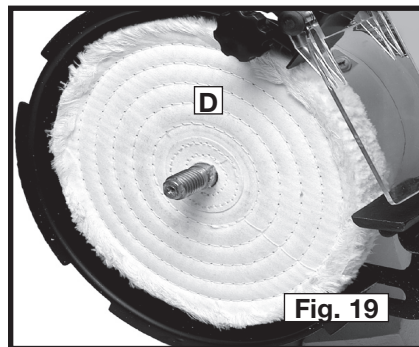
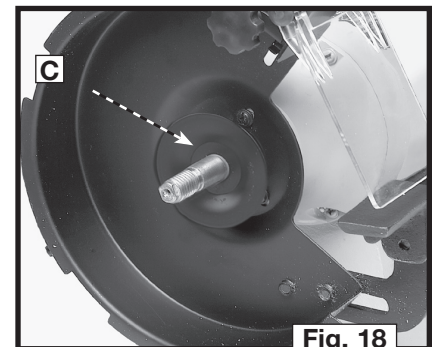
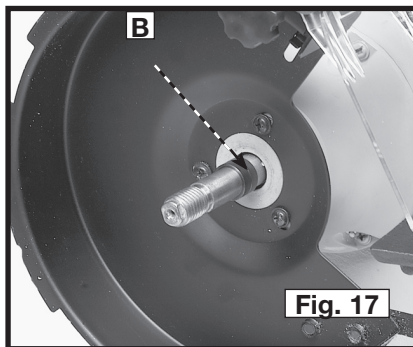
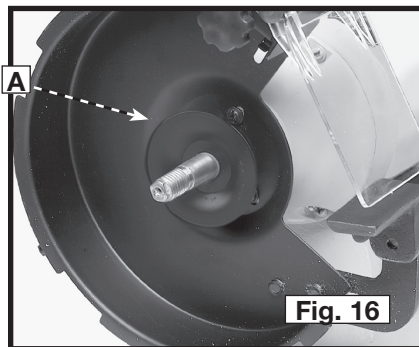
INSTALLING BUFFING WHEEL

⚠ WARNING Disconnect machine from power source.

1. Remove one grinding wheel as instructed in the section “CHANGING GRINDING WHEELS.”
2. Remove the inner wheel flange (A) Fig. 16.
3. Place the buffing wheel bushing (B) Fig. 17 on the shaft.
4. Replace the inner wheel flange (C) Fig. 18 on the shaft.
5. Place the buffing wheel (D) Fig. 19 on the shaft.
6. Place the other wheel flange (E) Fig. 20 on the shaft.
7. Thread the arbor nut (F) Fig. 21 on the arbor until the arbor nut makes contact with the arbor flange.
8. Push the arbor nut wings out to the closed position, flat against the arbor flange (Fig. 21).

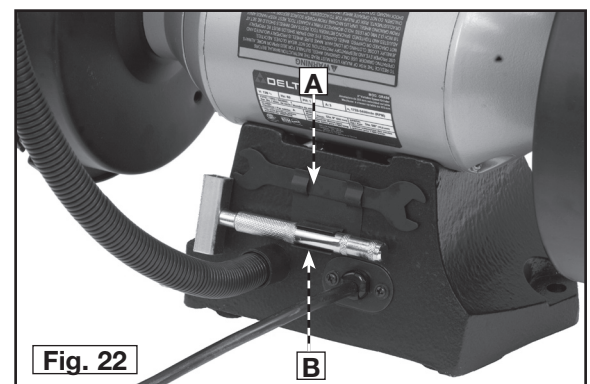
CAUTION The arbor nut wings must contact the arbor flange to prevent vibration.

9. Replace the wheel cover that was removed in STEP 2.
10. Adjust the spark guard and tool rest.



WRENCH STORAGE

Store the open end wrench (A) and the wheel dressing wrench (B) in the holder at the rear of the grinder (Fig. 22.)



TROUBLESHOOTING

For assistance with your machine, visit our website at www.deltaportercable.com for a list of service centers or call the DELTA Machinery help line at 1-800-223-7278 (In Canada call 1-800-463-3582).

MAINTENANCE

KEEP MACHINE CLEAN

Periodically blow out all air passages with dry compressed air. All plastic parts should be cleaned with a soft damp cloth. NEVER use solvents to clean plastic parts. They could possibly dissolve or otherwise damage the material.

⚠ WARNING: Wear certified safety equipment for eye, hearing and respiratory protection while using compressed air.

FAILURE TO START

Should your machine fail to start, check to make sure the prongs on the cord plug are making good contact in the outlet. Also, check for blown fuses or open circuit breakers in the line.

LUBRICATION & RUST PROTECTION

Apply household floor paste wax to the machine table, extension table or other work surface weekly. Or use a commercially available protective product designed for this purpose. Follow the manufacturer's instructions for use and safety.

To clean cast iron tables of rust, you will need the following materials: a sheet of medium Scotch-Brite™ Blending Hand Pad, a can of WD-40® and a can of degreaser. Apply the WD-40 and polish the table surface with the Scotch-Brite pad. Degrease the table, then apply the protective product as described above.

ACCESSORIES

A complete line of accessories is available from your Delta Supplier, Porter-Cable • Delta Factory Service Centers, and Delta Authorized Service Stations. Please visit our Web Site www.deltaportercable.com for a catalog or for the name of your nearest supplier.

⚠ WARNING: Since accessories other than those offered by Delta have not been tested with this product, use of such accessories could be hazardous. For safest operation, only Delta recommended accessories should be used with this product.

SERVICE

REPLACEMENT PARTS

Use only identical replacement parts. For a parts list or to order parts, visit our website at servicenet.deltamachinery.com. You can also order parts from your nearest factory-owned branch, or by calling our Customer Care Center at 1-800-223-7278 to receive personalized support from highly-trained technicians.

SERVICE AND REPAIRS

All quality tools will eventually require servicing and/or replacement of parts. For information about Delta Machinery, its factory-owned branches, or an Authorized Warranty Service Center, visit our website at www.deltaportercable.com or call our Customer Care Center at 1-800-223-7278. All repairs made by our service centers are fully guaranteed against defective material and workmanship. We cannot guarantee repairs made or attempted by others.

You can also write to us for information at Delta Machinery, 4825 Highway 45 North, Jackson, Tennessee 38305 - Attention: Product Service. Be sure to include all of the information shown on the nameplate of your tool (model number, type, serial number, etc.)

FREE WARNING LABEL REPLACEMENT

If your warning labels become illegible or are missing, call 1-800-223-7278 for a free replacement.

⚠ WARNING

TO REDUCE THE RISK OF INJURY USER MUST READ THE INSTRUCTION MANUAL BEFORE OPERATING GRINDER. USE ONLY GRINDING WHEEL SUITABLE FOR 3600 RPM OR MORE. ALWAYS USE PROPER EYE AND RESPIRATORY PROTECTION. DO NOT WEAR GLOVES, NECKTIES, JEWELRY, LOOSE CLOTHING OR LONG HAIR. MAKE SURE WHEEL IS PROPERLY MOUNTED AND NOT CRACKED OR CHIPPED. WHEEL GUARDS, EYE AND SPARK SHIELDS MUST BE PROPERLY ADJUSTED AND TIGHTENED. SPACING BETWEEN TOOL RESTS AND WHEELS SHOULD BE SET AT 1/8 INCH (3.2 MM) OR LESS. HOLD WORKPIECE FIRMLY AGAINST TOOL REST. KEEP HANDS AWAY FROM GRINDING WHEEL. UNPLUG MACHINE FROM POWER SOURCE BEFORE MAKING REPAIRS OR ADJUSTMENTS. RISK OF INJURY DUE TO ACCIDENTAL STARTING. DO NOT USE NEAR CHILDREN. DO NOT OPERATE WHILE UNDER INFLUENCE OF DRUGS, ALCOHOL OR MEDICATION. SHOCK HAZARD DO NOT EXPOSE TO RAIN OR USE IN DAMP LOCATIONS.

⚠ ADVERTENCIA

PARA REDUCIR EL RIESGO DE LESIONES, EL USUARIO DEBE LEER EL MANUAL DE INSTRUCCIONES ANTES DE OPERAR LA ESMERILADORA. USE SOLAMENTE DISCOS PARA ESMERILAR APTOS PARA 3.600 R.P.M O MÁS. SIEMPRE UTILICE PROTECCIÓN ADECUADA PARA LOS OJOS Y VÍAS RESPIRATORIAS. NO UTILICE GUANTES, CORBATAS, JOYAS, ROPA HOLGADA NI EL CABELLO LARGO SUELTO. ASEGÚRESE DE QUE EL DISCO ESTÉ DEBIDAMENTE MONTADO Y DE QUE NO PRESENTE GRIETAS NI MUESCAS. LOS DISPOSITIVOS DE SEGURIDAD DEL DISCO, LOS DISPOSITIVOS DE PROTECCIÓN PARA OJOS Y LOS DISPOSITIVOS ANTICHISPAS DEBEN COLOCARSE Y AJUSTARSE ADECUADAMENTE. EL ESPACIADO ENTRE EL PORTAHERRAMIENTAS Y LOS DISCOS SE DEBE ESTABLECER A 3.2 MM (1/8 PULG) O MENOS. SOSTENGA LA PIEZA DE TRABAJO CON FIRMEZA CONTRA EL PORTAHERRAMIENTAS. MANTENGA LAS MANOS ALEJADAS DEL DISCO PARA ESMERILAR. DESENCHUFE LA MÁQUINA DE LA FUENTE DE ALIMENTACIÓN ANTES DE REALIZAR REPARACIONES O AJUSTES. EXISTE RIESGO DE LESIONES DEBIDO A UNA ACTIVACIÓN ACCIDENTAL. NO UTILICE ESTE APARATO CERCA DE NIÑOS. NO OPERE BAJO LA INFLUENCIA DE DROGAS, ALCOHOL O MEDICACIÓN. RIESGO DE DESCARGA ELÉCTRICA. NO EXPONGA A LA LLUVIA NI UTILICE EN LUGARES HÚMEDOS.

⚠ AVERTISSEMENT

L'UTILISATEUR DOIT LIRE LE MODE D'EMPLOI AVANT D'UTILISER LA MEULEUSE AFIN DE RÉDUIRE LE RISQUE DE BLESSURE. UTILISER UNIQUEMENT DES MEULES PRÉVUES POUR 3 600 TR/MIN OU PLUS. TOUJOURS UTILISER UNE PROTECTION OCULAIRE ET RESPIRATOIRE ADEQUATE. NE PAS PORTER DE GANTS, NI CRAVATES, NI BIJOUX OU VÊTEMENTS AMPLES ET COUVRIR LES CHEVEUX LONGS. S'ASSURER QUE LA MEULE EST BIEN ASSEMBLÉE ET INTACTE (SANS FISSURES OU ÉCLATS), BIEN RÉGLER ET SERRER LES PROTÈGE-MEULE, LES VISIÈRES ET LES PARE-ÉTINCELLES. MAINTENIR UNE ESPACE DE 3.2 MM (1/8 PO) OU MOINS ENTRE LE PORTE-OUTIL ET LES MEULES. TENIR LA PIÈCE FERMEMENT APPUYÉE CONTRE LE PORTE-OUTIL. ÉLOIGNER LES MAINS DE LA MEULE. DÉBRANCHER L'APPAREIL DE LA SOURCE D'ALIMENTATION AVANT TOUTES RÉPARATIONS OU RÉGLAGES. RISQUE DE BLESSURE DES SUITES D'UN DÉMARRAGE ACCIDENTEL. NE PAS UTILISER L'APPAREIL PRÈS D'ENFANTS. NE PAS UTILISER L'APPAREIL SOUS L'EMPRISE DE DROGUES, D'ALCOOL OU DE MÉDICAMENT. RISQUE DE CHOÛ ÉLECTRIQUE. NE PAS L'EXPOSER À LA PLUIE ET NE PAS L'UTILISER DANS UN ENDROIT HUMIDE.



⚠ WARNING

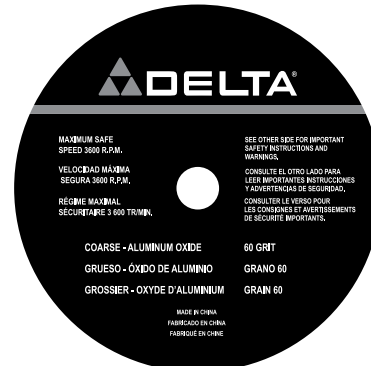
TO REDUCE THE RISK OF FIRE, USE 40-WATT OR LESS LIGHT BULB

⚠ ADVERTENCIA

PARA REDUCIR EL RIESGO DE INCENDIO, USE BOMBILLAS DE LUZ DE 40 VATIOS O MENOS

⚠ AVERTISSEMENT

POUR RÉDUIRE LE RISQUE D'INCENDIE, UTILISER UNE AMPOULE DE 40 WATTS OU MOINS



WARRANTY

To register your tool for warranty service visit our website at www.deltaportercable.com.

Two Year Limited New Product Warranty

Delta will repair or replace, at its expense and at its option, any new Delta machine, machine part, or machine accessory which in normal use has proven to be defective in workmanship or material, provided that the customer returns the product prepaid to a Delta factory service center or authorized service station with proof of purchase of the product within two years and provides Delta with reasonable opportunity to verify the alleged defect by inspection. For all refurbished Delta product, the warranty period is 180 days. Delta may require that electric motors be returned prepaid to a motor manufacturer's authorized station for inspection and repair or replacement. Delta will not be responsible for any asserted defect which has resulted from normal wear, misuse, abuse or repair or alteration made or specifically authorized by anyone other than an authorized Delta service facility or representative. Under no circumstances will Delta be liable for incidental or consequential damages resulting from defective products. This warranty is Delta's sole warranty and sets forth the customer's exclusive remedy, with respect to defective products; all other warranties, express or implied, whether of merchantability, fitness for purpose, or otherwise, are expressly disclaimed by Delta.

LATIN AMERICA: This warranty does not apply to products sold in Latin America. For products sold in Latin America, see country specific warranty information contained in the packaging, call the local company or see website for warranty information.

LES INSTRUCTIONS IMPORTANTES DE SURETE

⚠ AVERTISSEMENT Lire et comprendre toutes instructions d'avertissements et opération avant d'utiliser n'importe quel outil ou n'importe quel équipement. En utilisant les outils ou l'équipement, les précautions de sûreté fondamentales toujours devraient être suivies pour réduire le risque de blessure personnelle. L'opération déplacée, l'entretien ou la modification d'outils ou d'équipement ont pour résultat la blessure sérieux et les dommages de propriété. Il y a de certaines applications pour lequel outils et l'équipement sont conçus. La Delta Machinery recommande avec force que ce produit n'ait pas modifié et/ou utilisé pour l'application autrement que pour lequel il a été conçu.



Si vous avez n'importe quelles questions relatives à son application n'utilisent pas le produit jusqu'à ce que vous avez écrit Delta Machinery et nous vous avons conseillé.

La forme en ligne de contact à www.deltaportercable.com

Courrier Postal: Technical Service Manager

Delta Machinery

4825 Highway 45 North

Jackson, TN 38305

Information en ce qui concerne l'opération sûre et correcte de cet outil est disponible des sources suivantes:

Power Tool Institute

1300 Sumner Avenue, Cleveland, OH 44115-2851

www.powertoolinstitute.org

National Safety Council

1121 Spring Lake Drive, Itasca, IL 60143-3201

American National Standards Institute, 25 West 43rd Street, 4 floor, New York, NY 10036 www.ansi.org ANSI 01.1 Safety Requirements for Woodworking Machines, and the U.S. Department of Labor regulations www.osha.gov

MESURES DE SÉCURITÉ - DÉFINITIONS

Ce guide contient des renseignements importants que vous deviez bien saisir. Cette information porte sur **VOTRE SÉCURITÉ** et sur **LA PRÉVENTION DE PROBLÈMES D'ÉQUIPEMENT**. Afin de vous aider à identifier cette information, nous avons utilisé les symboles ci-dessous. Veuillez lire attentivement ce guide en portant une attention particulière à ces sections.



⚠ DANGER Indique un danger imminent qui, s'il n'est pas évité, causera de graves blessures ou la mort.

⚠ AVERTISSEMENT Indique la possibilité d'un danger qui, s'il n'est pas évité, pourrait causer de graves blessures ou la mort.

⚠ ATTENTION Indique la possibilité d'un danger qui, s'il n'est pas évité, peut causer des dommages à la propriété.

ATTENTION Sans le symbole d'alerte. Indique la possibilité d'un danger qui, s'il n'est pas évité, peut causer des dommages; mineurs ou moyennes.

LA PROPOSITION DE CALIFORNIE 65

⚠ AVERTISSEMENT La poussière produite par le ponçage électrique le sciage, le meulage, le perçage et autres activités de construction peut contenir des produits chimiques qui sont reconnus, par l'état de la Californie, de causer le cancer, les anomalies congénitales ou autres maux de reproduction. Ces produits chimiques comprennent, entre autres :

- le plomb provenant des peintures à base de plomb;
- la silice cristalline provenant de briques, de béton ou d'autres produits de maçonnerie
- l'arsenic et le chrome provenant du bois de charpente traité chimiquement

Le risque d'exposition à ces produits dépend de la fréquence d'exécution de ce genre de travaux. Afin de réduire l'exposition à ces produits chimiques, travaillez dans un endroit bien aéré et utilisez de l'équipement de sécurité approuvé, portez toujours un masque facial ou respirateur homologué **MSHA/NIOSH** bien ajusté lorsque vous utilisez de tels outils.

CONSERVEZ CES INSTRUCTIONS!

RÈGLES DE SÉCURITÉ GÉNÉRALES

▲ AVERTISSEMENT L'inobservation de ces règles risque d'entraîner des blessures graves.

- 1. POUR SA SÉCURITÉ PERSONNELLE, LIRE LA NOTICE D'UTILISATION, AVANT DE METTRE LA MACHINE EN MARCHÉ,** et pour aussi apprendre l'application et les limites de la machine ainsi que les risques qui lui sont particuliers ainsi, les possibilités d'accident et de blessures seront beaucoup réduites.
- 2. PORTEZ DES DISPOSITIFS DE PROTECTION DES YEUX ET DE L'OUÏE. UTILISEZ TOUJOURS DES LUNETTES DE SÉCURITÉ.** Des lunettes ordinaires ne constituent PAS des lunettes de sécurité. **UTILISEZ DES ÉQUIPEMENTS DE SÛRETÉ HOMOLOGUÉS.** Les dispositifs de protection des yeux doivent être conformes aux normes ANSI Z87.1. Les dispositifs de protection de l'ouïe doivent être conformes aux normes ANSI S3.19.
- 3. PORTER UNE TENUE APPROPRIÉE.** Pas de cravates, de gants, ni de vêtements amples. Enlever montre, bagues et autres bijoux. Rouler les manches. Les vêtements ou les bijoux qui se trouvent pris dans les pièces mobiles peuvent entraîner des blessures.
- 4. NE PAS UTILISER LA MACHINE DANS UN ENVIRONNEMENT DANGEREUX.** L'utilisation d'outils électriques dans des endroits humides ou sous la pluie peut entraîner des décharges électriques ou une électrocution. Garder la zone de travail bien éclairée pour éviter de trébucher ou d'exposer les doigts, les mains ou les bras à une situation dangereuse.
- 5. GARDER LES OUTILS ET LES MACHINES EN PARFAIT ÉTAT.** Garder les outils affûtés et propres afin d'obtenir le meilleur et le plus sûr rendement. Suivre les instructions pour lubrifier et changer les accessoires. Les outils et les machines mal entretenus peuvent se dégrader davantage, et/ou entraîner des blessures.
- 6. INSPECTER LES PIÈCES POUR DÉCELER TOUT DOMMAGE.** Avant d'utiliser la machine, la vérifier pour voir s'il n'y a pas de pièces endommagées. Vérifier l'alignement des pièces mobiles et si ces pièces ne se coincent pas, la rupture de pièces, ou toute autre condition pouvant en affecter le fonctionnement. Toute pièce ou protecteur endommagé doit être réparé ou remplacé. Les pièces endommagées peuvent dégrader davantage la machine et/ou entraîner des blessures.
- 7. GARDER L'AIRE DE TRAVAIL PROPRE.** Les zones et établis encombrés favorisent les accidents.
- 8. GARDER LES ENFANTS ET LES VISITEURS À DISTANCE.** L'atelier est un lieu potentiellement dangereux. Les enfants et les visiteurs peuvent se blesser.
- 9. ÉVITER LE DÉMARRAGE ACCIDENTEL.** S'assurer que l'interrupteur est sur « OFF » (ARRÊT) avant de brancher le cordon. En cas de coupure de courant, placer l'interrupteur à la position « OFF » (ARRÊT). Un démarrage accidentel peut entraîner des blessures.
- 10. UTILISER LES DISPOSITIFS PROTECTEURS.** Vérifier que tous les dispositifs protecteurs sont bien en place, bien fixés et en bon état de marche pour éviter les blessures.
- 11. ENLEVER LES CLÉS DE RÉGLAGE ET CELLES DE SERRAGE AVANT DE METTRE LA MACHINE EN MARCHÉ.** Les outils, les chutes et les autres débris peuvent être projetés violemment et blesser.
- 12. UTILISER LA BONNE MACHINE.** Ne pas forcer la machine ou l'accessoire à faire un travail pour lequel il n'a pas été conçu. Des dommages à la machine et/ou des blessures pourraient s'ensuivre.
- 13. UTILISER LES ACCESSOIRES RECOMMANDÉS.** L'utilisation d'accessoires non recommandés par Delta peut endommager la machine et blesser l'utilisateur.
- 14. UTILISER LE CORDON PROLONGATEUR APPROPRIÉ.** S'assurer que le cordon prolongateur est en bon état. Lorsqu'un cordon prolongateur est utilisé, s'assurer que celui-ci est d'un calibre suffisant pour l'alimentation nécessaire à la machine. Un cordon d'un calibre insuffisant entraînera une perte de tension d'où une perte de puissance et surchauffe. Voir le tableau sur les cordons prolongateurs pour obtenir le calibre approprié selon la longueur du cordon et l'ampérage de la machine. S'il y a un doute, utiliser un cordon d'un calibre supérieur. Plus le chiffre est petit, plus le fil est gros.
- 15. FIXER LA PIÈCE.** Utilisez les brides ou l'étau quand vous ne pouvez pas fixer l'objet sur la table et contre la barrière à la main ou quand votre main sera dangereusement près de la lame (à moins de 6").
- 16. AVANCER LA PIÈCE DANS LE SENS CONTRAIRE À LA ROTATION DE LA LAME, DE LA FRAISE OU DE LA SURFACE ABRASIVE.** L'alimentation dans l'autre sens peut entraîner une projection violente de la pièce.
- 17. NE PAS FORCER LA MACHINE EN AVANÇANT LA PIÈCE TROP VITE.** Des dommages et/ou des blessures peuvent s'ensuivre.
- 18. NE PAS SE PENCHER AU-DESSUS DE LA MACHINE.** Une perte de l'équilibre peut entraîner une chute sur la machine en marche et causer des blessures.
- 19. NE JAMAIS MONTER SUR LA MACHINE.** On peut se blesser gravement si la machine bascule ou si l'on touche accidentellement son outil tranchant.
- 20. NE JAMAIS LAISSER LA MACHINE EN MARCHÉ SANS SURVEILLANCE. COUPER LE COURANT.** Ne pas quitter la machine tant qu'elle n'est pas complètement arrêtée. Un enfant ou un visiteur pourrait se blesser.
- 21. METTRE LA MACHINE À L'ARRÊT « OFF » ET LA DÉBRANCHER** avant d'installer ou d'enlever des accessoires, d'ajuster ou de changer des montages, ou lors des réparations. Un démarrage accidentel peut entraîner des blessures.
- 22. METTRE L'ATELIER À L'ABRI DES ENFANTS AU MOYEN DE CADENAS, D'INTERRUPTEURS PRINCIPAUX OU EN ENLEVANT LES BOUTONS DES DISPOSITIFS DE MISE EN MARCHÉ.** Le démarrage accidentel de la machine par un enfant ou un visiteur peut entraîner des blessures.
- 23. RESTER VIGILANT, ATTENTIF, ET FAIRE PREUVE DE BON SENS. NE PAS UTILISER LA MACHINE LORSQUE L'ON EST FATIGUÉ OU SOUS L'INFLUENCE DE DROGUES, D'ALCOOL OU DE MÉDICAMENTS.** Un instant d'inattention lors de l'utilisation d'outils électriques peut entraîner des blessures graves.
- 24. ▲ AVERTISSEMENT L'UTILISATION DE CET OUTIL PEUT PRODUIRE ET DISPERSER DE LA POUSSIÈRE OU D'AUTRES PARTICULES EN SUSPENSION DANS L'AIR, TELLES QUE LA SCIURE DE BOIS, LA POUSSIÈRE DE SILICIUM CRISTALLIN ET LA POUSSIÈRE D'AMIANTE.** Dirigez les particules loin du visage et du corps. Faites toujours fonctionner l'outil dans un espace bien ventilé et prévoyez l'évacuation de la poussière. Utilisez un système de dépoussiérage chaque fois que possible. L'exposition à la poussière peut causer des problèmes de santé graves et permanents, respiratoires ou autres, tels que la silicose (une maladie pulmonaire grave) et le cancer, et même le décès de la personne affectée. Évitez de respirer de la poussière et de rester en contact prolongé avec celle-ci. En laissant la poussière pénétrer dans vos yeux ou votre bouche, ou en la laissant reposer sur votre peau, vous risquez de promouvoir l'absorption de substances toxiques. Portez toujours des dispositifs de protection respiratoire homologués par NIOSH/OSHA, appropriés à l'exposition à la poussière et de taille appropriée, et lavez à l'eau et au savon les surfaces de votre corps qui ont été exposées.

RÈGLES DE SÉCURITÉ SPÉCIFIQUES SUPPLÉMENTAIRES

⚠ AVERTISSEMENT

L'inobservation de ces règles risque d'entraîner des blessures graves.

- NE PAS FAIRE FONCTIONNER CET APPAREIL** avant qu'il ne soit entièrement assemblé et installé conformément aux directives. Un appareil mal assemblé peut provoquer des blessures graves.
- DEMANDER CONSEIL** à un superviseur, instructeur, ou toute autre personne qualifiée si l'on ne maîtrise pas parfaitement l'utilisation de cet appareil. La connaissance est synonyme de sécurité.
- SUIVRE TOUS LES CODES DE CÂBLAGE** et les connexions électriques recommandées afin d'éviter tout choc électrique ou électrocution.
- TOUJOURS UTILISER LE TAMPON FOURNI ET LES BRIDES** au montage des meules sur l'arbre de la meuleuse pour éviter d'endommager la meule ou une séparation inopinée. Une séparation peut se solder par la projection de fragments, en provenance de la meule, à haute vitesse.
- UTILISER UNIQUEMENT DES MEULES** convenables pour la vitesse de l'appareil. Des meules inappropriées peuvent se désintégrer et projeter des fragments à haute vitesse.
- UTILISER UNIQUEMENT DES MEULES** dotées d'un alésage correspondant exactement à l'arbre de l'appareil. Ne jamais essayer d'usiner l'alésage sous-dimensionné d'une meule pour l'ajuster sur un arbre. Des meules inappropriées peuvent se désintégrer et projeter des fragments à haute vitesse.
- NE PAS TROP SERRER L'ÉCROU DE LA MEULE.**
- NE PAS UTILISER UNE MEULE QUI VIBRE.** Dresser la meule, la remplacer ou remplacer les roulements de l'arbre. Des meules inappropriées peuvent se désintégrer et projeter des fragments à haute vitesse.
- INSPECTER LES MEULES** avant le démarrage de l'appareil pour toutes fissures ou brèches. **REPLACER LES MEULES ENDOMMAGÉES** immédiatement. Des pièces de la meule peuvent être projetées à haute vitesse et provoquer des blessures graves.
- AJUSTER LE PARE-ÉTINCELLES** près de la meule et le réajuster au fur et à mesure que la meule s'use. Les étincelles sont dangereuses et risquent de provoquer des incendies ou explosions.
- TOUJOURS S'ASSURER** que le pare-étincelles soit en place, bien ajusté et solidement fixé.
- INSTALLER LE PORTE-OUTIL** près de la meule (à une distance de 3,2 mm (1/8 po) ou moins). Fixer solidement le porte-outil pour éviter qu'il ne se déplace et réajuster au fur et à mesure que la meule s'use. La pièce risque d'être aspirée sur la meule et d'endommager la pièce et/ou de provoquer des blessures graves.
- NE PAS SE TENIR** devant la meule avant ou lors du démarrage de l'appareil. Des fragments lâches ou des morceaux de la meule pourraient être projetés à grande vitesse.
- NE JAMAIS MEULER AVEC UNE MEULE FROIDE.** Faire tourner la meuleuse une minute avant de débiter tout meulage sur une pièce. Une meule froide tend à s'ébrécher. Ces fragments risqueraient d'être projetés à haute vitesse.
- NE JAMAIS DÉMARRER L'APPAREIL** avec la pièce contre la meule. La pièce risque d'être aspirée sur la meule et d'endommager l'appareil et/ou de provoquer des blessures graves.
- NETTOYER L'APPAREIL** soigneusement lors du traitement de différents types de matériaux (bois, acier ou aluminium). La combinaison de poussières de bois et de métal peut créer un risque d'explosion ou d'incendie. **NE PAS MEULER OU POLIR DU MAGNÉSIUM.** Cela provoquera un incendie.
- NE JAMAIS MEULER PRÈS DE GAZ OU LIQUIDES INFLAMMABLES.** Les étincelles risquent de provoquer un incendie ou une explosion.
- ÉVITER LES OPÉRATIONS MALADROITES ET ÉVITER D'AVOIR LES MAINS MAL PLACÉES.** En glissant inopinément, la main pourrait percuter la meule.
- ÉLOIGNER LES BRAS, MAINS, ET DOIGTS** de la meule. Les surfaces abrasives risquent de provoquer de graves blessures.
- TENIR LA PIÈCE FERMEMENT** appuyée contre le porte-outil. La perte de contrôle de la pièce peut provoquer de graves blessures.
- DRESSER LA MEULE** seulement sur la face de travail. Le dressage des côtés de la meule risque de trop l'amincir pour une utilisation sécuritaire.
- MEULER UNE PIÈCE** appuyée seulement sur la face de travail. La perte de contrôle de la pièce peut provoquer de graves blessures.
- NE JAMAIS APPLIQUER DE LIQUIDE DE REFROIDISSEMENT** directement sur la meule. Le liquide risque d'affaiblir le liant de la meule et provoquer une défaillance. Plonger la pièce dans l'eau pour la refroidir.
- NE PAS TOUCHER** la partie affûtée de la pièce avant qu'elle n'est suffisamment refroidie. Le meulage développe de la chaleur.
- SOUTENIR CORRECTEMENT LES PIÈCES LONGUES OU LARGES.** La perte de contrôle de la pièce peut provoquer de graves blessures.
- NE JAMAIS EFFECTUER D'OPÉRATIONS DE TRAÇAGE, D'ASSEMBLAGE,** ou de réglage sur la table/l'espace de travail lorsque l'appareil est en marche. En glissant inopinément, la main pourrait percuter la meule. Des blessures graves pourraient survenir.
- ÉTEINDRE L'APPAREIL,** couper le courant, et nettoyer la table/l'espace de travail avant de quitter l'appareil. **VERROUILLER L'INTERRUPTEUR EN POSITION « D'ARRÊT »** pour éviter toute utilisation non autorisée. Il se peut que quelqu'un démarre accidentellement l'appareil et se blesse gravement.
- DES INFORMATIONS SUPPLÉMENTAIRES** (c.-à-d., une vidéo sur la sécurité), indiquant comment utiliser des outils électriques correctement et en toute sécurité, sont disponibles auprès du Power Tool Institute, 1300 Sumner Avenue, Cleveland, OH 44115-2851, États-Unis (www.powertoolinstitute.com). Des informations sont également disponibles auprès du National Safety Council, 1121 Spring Lake Drive, Itasca, IL 60143-3201 É.-U. Se reporter à la norme ANSI 01.01 de l'American National Standards Institute concernant les machines de travail du bois, ainsi que la réglementation OSHA 1910.213 du département américain du travail.

CONSERVER CES DIRECTIVES.

Les consulter souvent

et les utiliser pour donner des directives aux autres.

RACCORDEMENTS ÉLECTRIQUES

Un circuit électrique séparé doit être utilisé pour les machines. Les fils de ce circuit doivent être au moins de calibre 12. Ce circuit doit être protégé par un fusible temporisé de 20 A. Si on utilise un cordon prolongateur, ce cordon doit être à trois fils, avoir une fiche à trois broches et une prise de courant à trois cavités, mise à la terre qui correspond à la fiche de la machine. Avant debrancher la machine, s'assurer que l'interrupteur (les interrupteurs) se trouve(nt) en position « OFF » (ARRÊT) et que le courant électrique présente les mêmes caractéristiques que celles qui sont inscrites sur la machine. Toutes les connexions électriques doivent établir un bon contact. Le fonctionnement sur une basse tension endommagera la machine.

⚠ DANGER NE PAS EXPOSER LA MACHINE À LA PLUIE, ET NE PAS L'UTILISER DANS DES ENDROITS HUMIDES.

SPÉCIFICATIONS DU MOTEUR

Cette machine est câblée pour un fonctionnement sur un courant alternatif de 120 volts 60 Hz. Avant de brancher la machine, s'assurer que l'interrupteur se trouve à la position « OFF » (ARRÊT).

INSTRUCTIONS DE MISE À LA TERRE

⚠ DANGER CETTE MACHINE DOIT ÊTRE MISE À LA TERRE PENDANT SON EMPLOI, AFIN DE PROTÉGER L'UTILISATEUR DES DÉCHARGES ÉLECTRIQUES

1. Toutes les machines avec cordon mis à la terre:

Dans l'éventualité d'un mauvais fonctionnement ou d'une panne, la mise à la terre fournit un trajet de moindre résistance permettant de réduire le risque de décharge électrique. Cette machine est dotée d'un cordon électrique possédant un conducteur de mise à la terre de l'équipement ainsi que d'une fiche mise à la terre. La fiche doit être branchée dans une prise de courant correspondante, installée de façon adéquate et mise à la terre conformément à tous les codes et règlements locaux.

Ne pas modifier la fiche fournie - si elle ne s'adapte pas à la prise de courant, il faut faire installer une prise de courant convenable par un électricien compétent.

Un mauvais raccordement du conducteur de mise à la terre de l'équipement peut entraîner un risque de décharge électrique. Le conducteur possédant un isolant avec surface extérieure de couleur verte, avec ou sans rayures jaunes, est le conducteur de mise à la terre de l'équipement. Si une réparation ou un remplacement du cordon électrique s'avère nécessaire, ne pas brancher le conducteur de mise à la terre de l'équipement à une borne sous tension.

Consulter un électricien compétent ou le personnel de service après-vente si on ne comprend pas entièrement les instructions de mise à la terre, ou si l'on doute que la machine soit correctement mise à la terre.

Utiliser seulement des cordons prolongateurs à trois fils dotés d'une fiche mise à la terre, à trois broches, et de prises à trois cavités convenant à la fiche de la machine, comme l'illustre la figure A.

Réparer ou remplacer sans délai tout cordon endommagé ou usé.

2. Machines avec cordon mis à la terre prévues pour une utilisation sur une alimentation nominale inférieure à 150 volts :

Si cette machine est prévue pour être utilisée sur un circuit qui comporte une prise semblable à celle illustrée à la figure A, la machine devra comporter une fiche mise à la terre semblable à celle illustrée à la figure A. Un adaptateur temporaire semblable à celui illustré à la figure B, peut être utilisé pour raccorder cette fiche à une prise à deux cavités comme celle illustrée à la figure B, si une prise correctement mise à la terre n'est pas disponible. L'adaptateur temporaire ne doit être utilisé que jusqu'au moment où une prise correctement mise à la terre est installée par un électricien compétent. L'oreiller rigide ou autre dispositif semblable de couleur verte, sur le dessus de l'adaptateur, doit être connecté sur une mise à la terre permanente comme, par exemple une boîte à prise correctement mise à la terre. Quand un adaptateur est utilisé, celui-ci doit être retenu en place par une vis en métal.

REMARQUE: Au Canada, le Code canadien de l'électricité ne permet pas l'emploi d'un adaptateur temporaire.

⚠ DANGER DANS TOUS LES CAS, S'ASSURER QUE LA PRISE EN QUESTION EST BIEN MISE À LA TERRE. DANS LE DOUTE, DEMANDER À UN ÉLECTRICIEN COMPÉTENT DE VÉRIFIER LA PRISE.

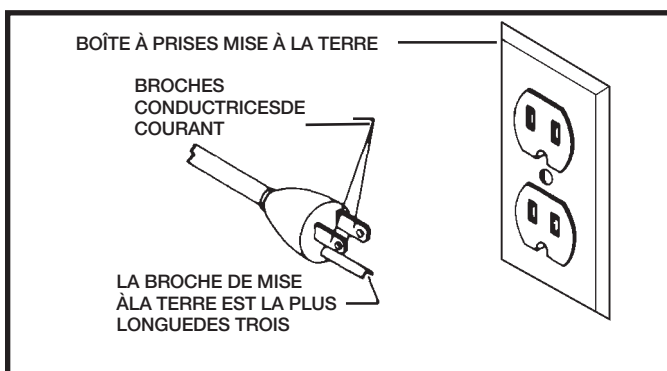


Fig. A

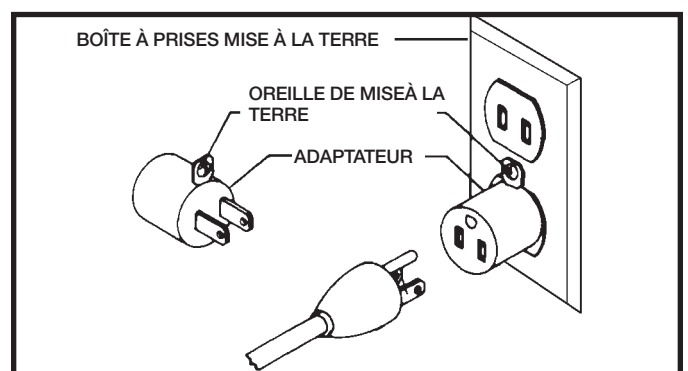


Fig. B

CORDON DE RALLONGE

⚠ AVERTISSEMENT Employez les cordes appropriées de prolongation. S'assurent votre corde de prolongation est en bon état. En utilisant une corde de prolongation, soyez sûr d'employer un assez lourd pour porter le courant de la machine. Une corde trop petite causera une baisse dans la tension secteur, ayant pour résultat la perte de puissance et de surchauffe. Fig. C-1, expositions la mesure correcte à employer selon la longueur de corde. En cas de doute, utilisez la prochaine mesure plus lourde. Plus le nombre de mesure est petit, plus la corde est lourde.

MESUR MINIMUM DE CORDE D'EXTENSION			
TAILLES RECOMMANDÉES POUR L'USAGE AVEC STATIONNAIRES ÉLECTRIQUES LES OUTILS			
Estimation pere	Volts	Longueur Totale De Corde En Pieds	Mesure De Corde D'Am D'Extension
0-6	120	up to 25	18 AWG
0-6	120	25-50	16 AWG
0-6	120	50-100	16 AWG
0-6	120	100-150	14 AWG
6-10	120	up to 25	18 AWG
6-10	120	25-50	16 AWG
6-10	120	50-100	14 AWG
6-10	120	100-150	12 AWG
10-12	120	up to 25	16 AWG
10-12	120	25-50	16 AWG
10-12	120	50-100	14 AWG
10-12	120	100-150	12 AWG
12-16	120	up to 25	14 AWG
12-16	120	25-50	12 AWG
12-16	120	50 PI PLUS GRANDS QUE NON RECOMMANDES	

Fig. C-1

DESCRIPTION FONCTIONNELLE

AVANT-PROPOS

Le modèle GR450 de Delta est une meuleuse/affûteuse à vitesse variable de 203 mm (8 po). Le modèle est livré avec une lampe flexible, des porte-outils réglables, une meule à polir, un système arbre-écrou à ouverture rapide et deux grandes visières pour une protection accrue.

REMARQUE : La photo de la couverture du mode d'emploi illustre le modèle de production actuel. Les autres illustrations de ce mode d'emploi ne sont présentes qu'à titre indicatif et il est possible que les étiquettes et accessoires actuels diffèrent des caractéristiques réelles de ce modèle. Ces illustrations ont uniquement pour but d'illustrer la technique.

ASSEMBLAGE

⚠ AVERTISSEMENT Pour votre propre sûreté, ne reliez pas la machine à la source d'énergie jusqu'à ce que la machine soit complètement assemblée et vous lisez et comprenez le manuel d'instruction entier.

OUTILS NÉCESSAIRES POUR L'ASSEMBLAGE

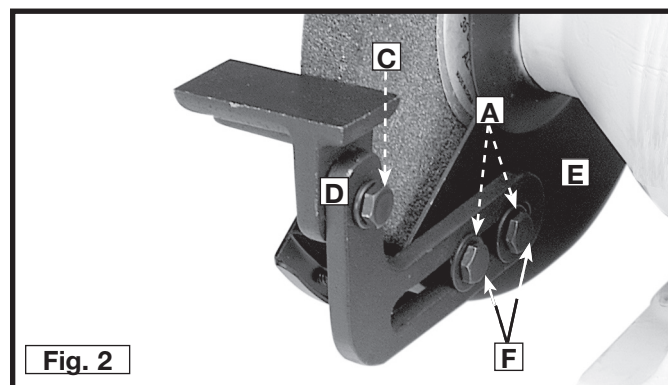
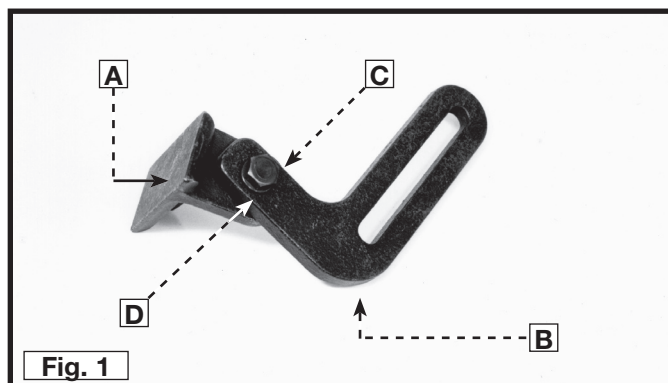
Clé à fourche (fournie)

DURÉE ESTIMÉE POUR L'ASSEMBLAGE

L'Assemblée pour cette machine prend une à 30 minutes.

PORTE-OUTILS

1. Assembler le porte-outil réglable (A) fig. 1 au côté gauche du bras du porte-outil (B), et le fixer à l'aide d'une vis à tête hexagonale de 5/16-18x3/4 po (C) et d'une rondelle de blocage de 5/16 po (7,9 mm) (D). Assembler l'autre porte-outil au côté droit de l'outil. Ne pas trop serrer la boulonnerie pour un réglage ultérieur.
2. Assembler le module du porte-outil gauche (D) fig. 2 à l'intérieur du protège-meule gauche (E), et le fixer à l'aide de deux vis 5/16-18x1/2 po (F) et des rondelles plates de 3/4 po (G).
3. Assembler le module du porte-outil droit à l'intérieur du protège-meule droit et le fixer à l'aide de deux vis à tête hexagonale de 5/16-18x1/2 po et des rondelles plates de 3/4 po.
4. Chaque module de porte-outil (D) fig. 4 est réglable. Positionner le module juste sous le centre de la meule et aussi près que possible de celle-ci pour donner un maximum d'appui à la pièce. Maintenir un écart de 3,1 mm (1/8 po) ou moins entre la meule et le bord interne du porte-outil. Régler le porte-outil lorsque la meule s'use. Lorsque le porte-outil est positionné correctement, serrer la boulonnerie (C) et (F) fig. 2. Pour l'affûtage à main levée sans l'utilisation du porte-outil, utiliser le quart inférieur de la meule.

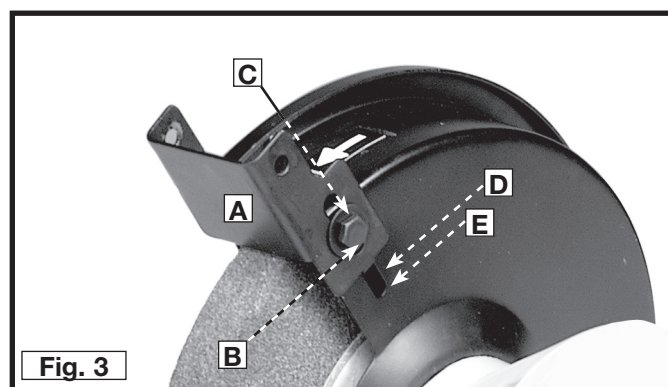


PARE-ÉTINCELLES

Le pare-étincelles (A) fig. 3 est assemblé au côté de chaque protège-meule à l'aide d'une vis à tête hexagonale de 1/4-20x1/4 po (B) fig. 3, et d'une rondelle plate de 1/4 po (C).

REMARQUE : la languette (D) fig. 3, sur le côté du pare-étincelles (A), doit être insérée dans la rainure (E), avant de fixer le pare-étincelle (A) à la meuleuse.

Ajuster le pare-étincelles (A) aussi près que possible de la meule pour empêcher les étincelles d'atteindre la main de l'opérateur. Rapprocher le pare-étincelles (A) selon l'usure de la meule.



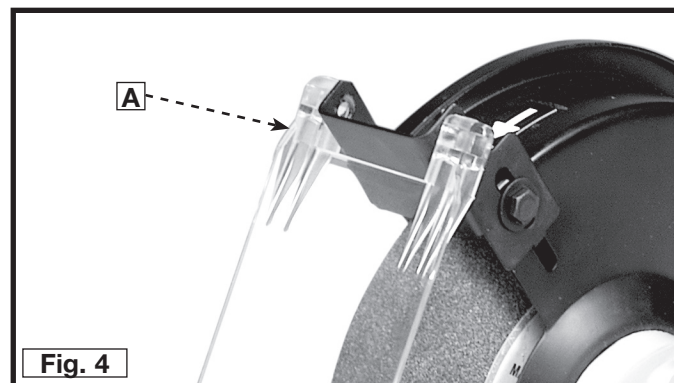
VISIÈRES

La meuleuse est livrée avec deux visières pour la protection des yeux.

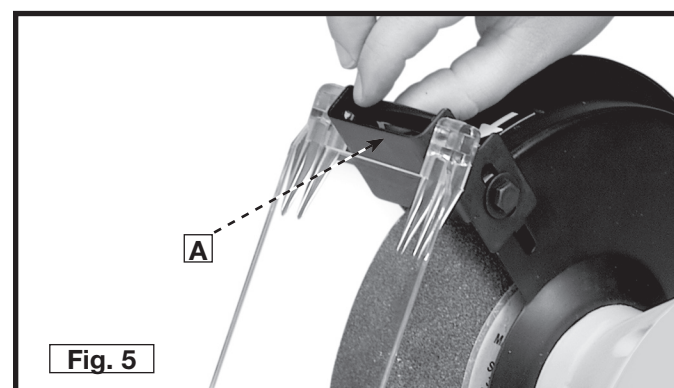
AVERTISSEMENT : toujours porter une protection oculaire.

Assemblage des visières

1. Installer la visière (A) fig. 4 sur le pare-étincelles.



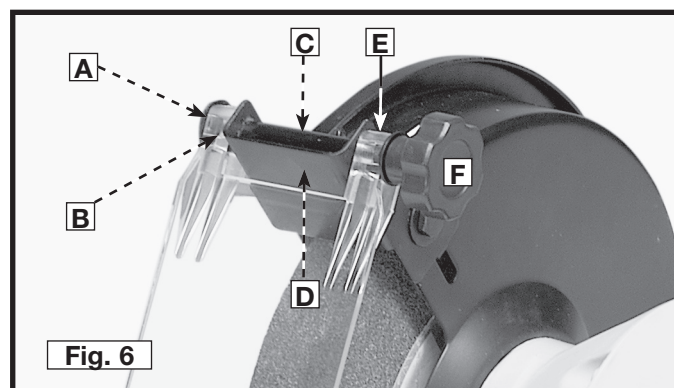
2. Aligner les trous de la visière avec ceux du pare-étincelles. Insérer la cale d'espacement pour visière (A) fig. 5, dans l'espace du pare-étincelles.



3. Enfiler le boulon pour visière (A) fig. 6 dans le trou de la visière (B), de la cale d'espacement pour visière (C) et le pare-étincelles (D).

4. Enfiler une rondelle plate de 1/4 po (E) fig. 6 sur l'extrémité du boulon pour visière, puis visser le bouton pour visière (F) sur cette extrémité.

5. Assembler l'autre visière de la même façon.



FIXATION DE LA MEULEUSE SUR UNE SURFACE DE SUPPORT

En cours de fonctionnement, si la meuleuse a tendance à basculer, à glisser ou à « se déplacer » sur la surface de support, la fixer à celle-ci par l'intermédiaire des deux trous (A) fig. 7, percés à cet effet.



FONCTIONNEMENT

COMMANDES ET RÉGLAGES OPÉRATIONNELS

DÉMARRAGE ET ARRÊT DE LA MEULEUSE

⚠ AVERTISSEMENT s'assurer que l'interrupteur se trouve sur la position d'arrêt avant de brancher le cordon d'alimentation dans la prise. Ne pas toucher aux lames métalliques de la fiche lors du branchement ou débranchement du cordon.

L'interrupteur marche/arrêt (A) fig. 8, est situé à l'avant de la meuleuse. Pour mettre l'appareil **sous tension**, déplacer l'interrupteur vers le haut en position de marche. Pour l'**éteindre**, déplacer l'interrupteur (A) vers le bas en position d'arrêt.

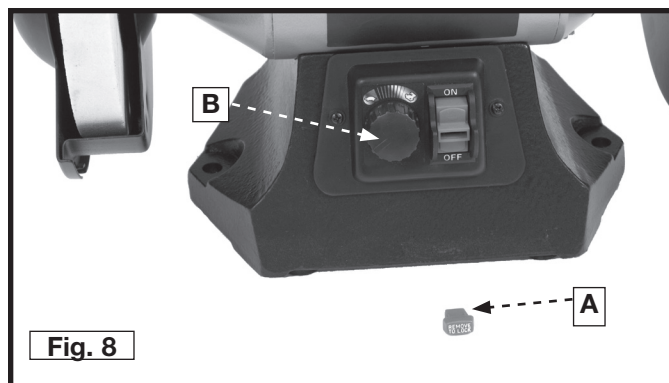
VERROUILLER L'INTERRUPTEUR EN POSITION D'ARRÊT

IMPORTANT: When the machine is not in use, the switch should be locked in the "OFF" position to prevent unauthorized use. To lock the machine, grasp the switch toggle (A) and pull it out of the switch (Fig. 8). With the switch toggle (A) removed, the switch will not operate. However, should the switch toggle be removed while the grinder is running, the machine can be turned "OFF," but cannot be restarted without re-inserting the switch toggle (A).

⚠ AVERTISSEMENT En cas de panne d'électricité (telle un disjoncteur désarmé ou un fusible grillé), toujours déplacer l'interrupteur en position d'arrêt jusqu'à ce que l'alimentation soit rétablie. Un démarrage accidentel peut provoquer des blessures..

COMMANDE DE LA VITESSE VARIABLE

La meuleuse est dotée d'un bouton de commande de vitesse variable (B) fig. 9. Lorsque le bouton de commande est complètement tourné vers la gauche (sens antihoraire), le régime est de 2 000 tr/min. Le régime augmente au fur et à mesure que le bouton est tourné vers la droite, ou en sens horaire. Lorsque le bouton de commande est complètement à droite, le régime atteint 3 450 tr/min.



LAMPE FLEXIBLE

La lampe flexible fonctionne indépendamment de la meuleuse. Pour allumer ou éteindre la lampe, tourner l'interrupteur (A) fig. 10.

⚠ AVERTISSEMENT Pour réduire les risques d'incendie, utiliser une ampoule de type sur rail à réflecteur de 40 watts ou moins, 120 volts (non fournis). Ne pas utiliser une ampoule normale domestique. L'ampoule de type sur rail à réflecteur ne devrait pas se prolonger sous le bas de l'abat-jour.



MEULES

⚠ AVERTISSEMENT l'utilisation de pièces et accessoires non recommandés par Delta risque de provoquer des blessures.

Avec la présente meuleuse, utiliser des accessoires prévus pour un régime minimum de 3 600 tr/min et de 8 po (203 mm) de diamètre, avec un alésage de 5/8 po (15,8 mm).

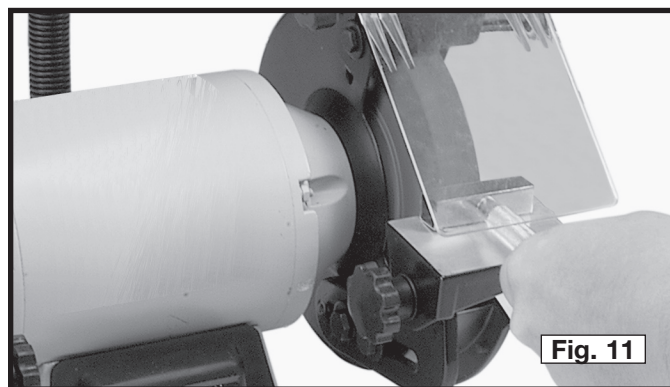
⚠ ATTENTION L'utilisation de meules de moins de 1 po (25,4 mm) de largeur provoquera des vibrations et pourrait endommager l'appareil.

Deux meules en oxyde d'aluminium sont livrées avec la meuleuse : une à 36 grains et une autre à 60 grains. Pour de bons résultats de meulage et le maintien d'un bon équilibre, toujours bien dresser les meules. Ne pas forcer une pièce contre une meule froide. Les meules doivent toujours tourner à vide pour une minute avant de débiter le travail. On recommande l'utilisation de meules équilibrées avec la meuleuse. En effet, elles ajoutent des années de vie utile aux roulements de l'appareil. De plus, l'élimination de cette source commune de vibration permet un travail de précision..

⚠ AVERTISSEMENT Toujours maintenir un écart de 3,2 mm (1/8 po) ou moins entre la meule et le porte-outil. Régler les porte-outils et les pare-étincelles au fur et à mesure que le diamètre de la meule diminue par usure.

DRESSAGE D'UNE MEULE

Lors du dressage d'une meule, utiliser un bâton approprié au carbure de silicium ou le dresse-meule fourni avec la meuleuse comme indiqué à la fig. 11. Avancer le dresse-meule/bâton sur le porte-outil jusqu'à ce qu'il touche le point le plus élevé de la face de la meule. La dresser en déplaçant le dresse-meule d'un côté à l'autre et vice-versa. Répéter l'opération jusqu'à ce que la face de la meule soit propre et les bords, bien équarris.



CHANGEMENT DES MEULES

⚠ AVERTISSEMENT débrancher l'appareil de la source d'alimentation.

1. Desserrer les boutons (A) fig. 12 et les retirer.
2. Pivoter les couvercles de meule (B) fig. 12 vers l'arrière et les retirer.
3. Tirer sur les deux écrous à oreilles de l'arbre (A) fig. 13.
4. Pour desserrer, placer la clé fournie (B) fig. 13B sur les méplats de l'arbre du moteur et l'appuyer solidement contre le porte-outil pour immobiliser l'arbre lors du retrait de l'écrou de l'arbre (A) fig. 13. Pour desserrer les écrous de l'arbre, les tourner vers l'avant de la meuleuse.

REMARQUE : au besoin, insérer un tournevis plat (A) fig. 13B dans l'ouverture de l'écrou de l'arbre et l'utiliser pour obtenir un couple plus élevé pour desserrer l'écrou.

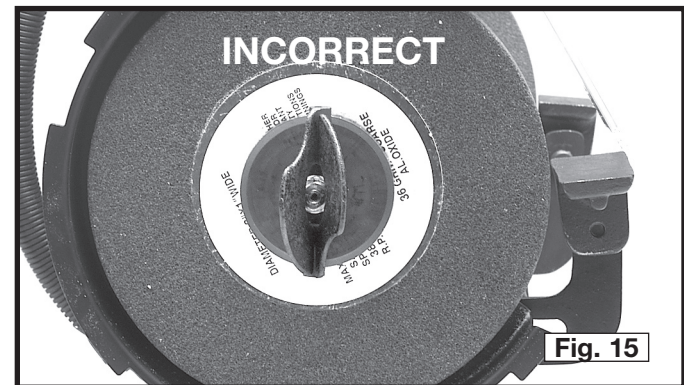
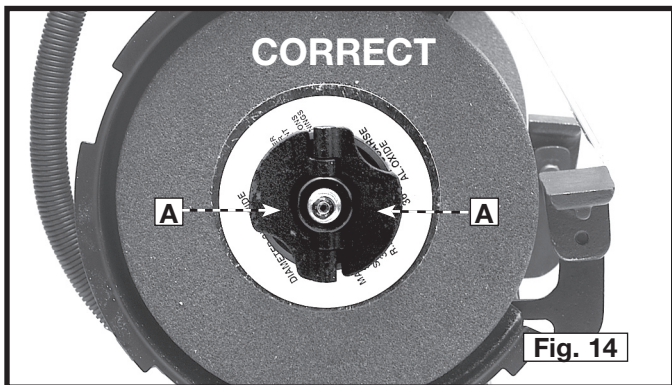
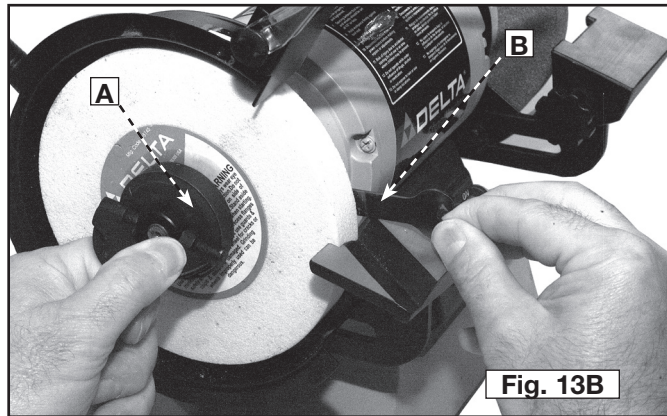
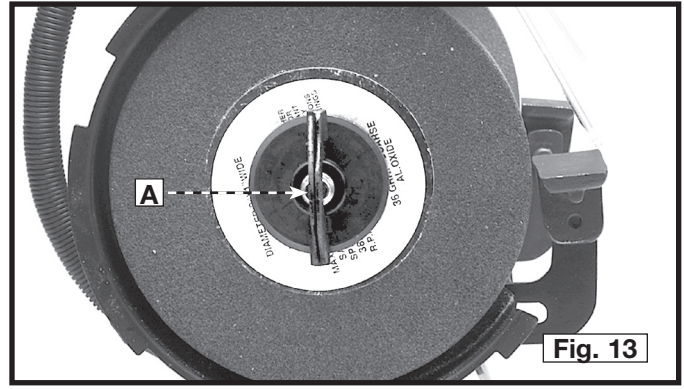
5. Déposer l'écrou de l'arbre, la bride et la meule usée.
6. Enfiler la nouvelle meule sur l'arbre.

REMARQUE : la largeur de la meule doit être de 1 po (25,4 mm).

7. Enfiler la bride sur l'arbre et visser l'écrou sur l'arbre jusqu'à ce qu'il touche la bride de l'arbre. Éloigner les oreilles de l'écrou de l'arbre (A) fig. 13 pour les mettre en position fermée. Les oreilles doivent reposer à plat contre la bride de l'arbre (fig. 14). Ne pas les laisser en position ouverte (fig. 15).

⚠ AVERTISSEMENT Les oreilles de l'écrou de l'arbre doivent reposer à plat contre la bride de l'arbre pour empêcher les vibrations.

8. Remettre les couvercles de meule déposés aux ÉTAPES 1 et 2.
9. Régler les pare-étincelles et les porte-outils avant d'utiliser l'appareil.



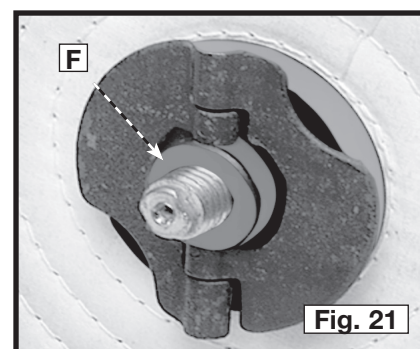
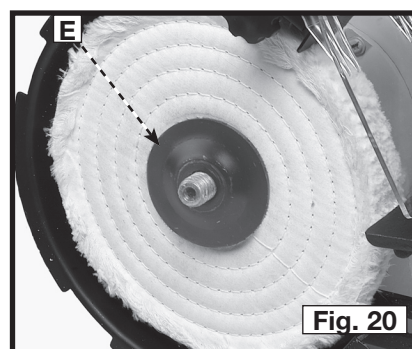
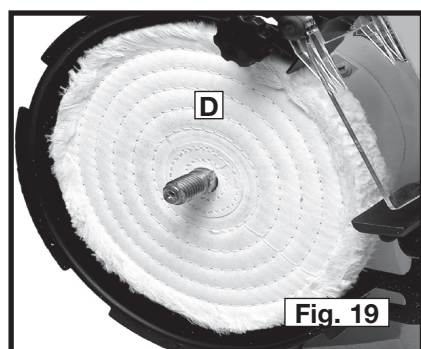
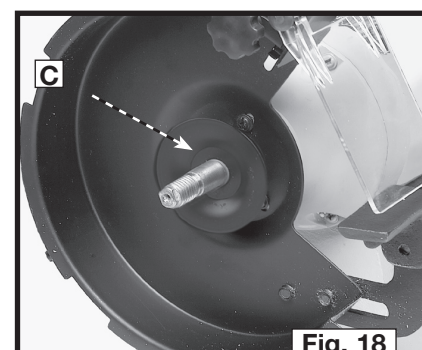
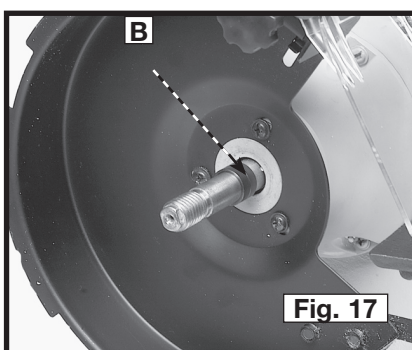
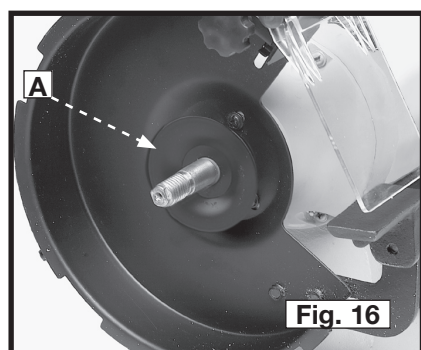
INSTALLATION DE LA MEULE À POLIR

⚠ AVERTISSEMENT Débrancher l'appareil de la source d'alimentation.

1. Déposer une meule selon les directives de la section « CHANGEMENT DES MEULES ».
2. Retirer la bride interne de la meule (A) fig. 16.
3. Insérer la cale pour meule à polir (B) fig. 17 sur l'arbre.
4. Réinsérer la bride interne de la meule (C) fig. 18 sur l'arbre.
5. Enfiler la meule à polir (D) fig. 19 sur l'arbre.
6. Insérer l'autre bride de meule (E) fig. 20 sur l'arbre.
7. Enfiler l'écrou de l'arbre (F) fig. 21 sur l'arbre jusqu'à ce qu'il touche la bride de l'arbre.
8. Éloigner les oreilles de l'écrou de l'arbre pour les mettre en position fermée, à plat, contre la bride de l'arbre (fig. 21)..

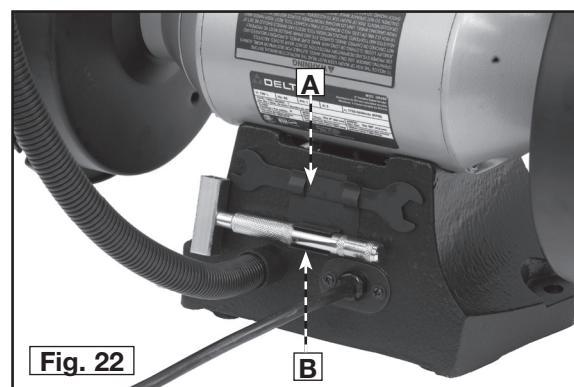
⚠ AVERTISSEMENT Les oreilles de l'écrou de l'arbre doivent toucher la bride de l'arbre pour empêcher les vibrations.

9. Replacer le protège-meules déposé à l'ÉTAPE 2.
10. Régler le pare-étincelles et le porte-outil.



RANGEMENT DE LA CLÉ

La clé à fourche (A) et la clé du dresse-meule (B) peuvent se ranger dans le porte-clé situé sous l'arrière de la meuleuse comme indiqué à la fig. 17.



DEPANNAGE

Pour l'assistance avec votre outil, visiter notre site web à www.deltaportercable.com pour une liste de centres de maintenance ou appeler la ligne d'aide de Delta Machinery à 1-800-223-7278. (Canada: 1-800-463-3582).

ENTRETIEN

GARDER LA MACHINE PROPRE

Dégager régulièrement toutes les conduites d'air avec de l'air comprimé sec. Toutes les pièces en plastique doivent être nettoyées à l'aide d'un chiffon doux humide. NE JAMAIS utiliser de solvants pour nettoyer les pièces en plastique. Les solvants peuvent dissoudre ou endommager le matériel.

▲ AVERTISSEMENT : Porter des protections oculaire et auditive homologuées et utiliser un appareil respiratoire lors de l'utilisation d'air comprimé.

DÉMARRAGE IMPOSSIBLE

Si la machine ne démarre pas, s'assurer que les lames de la fiche du cordon d'alimentation sont bien enfoncées dans la prise de courant. Vérifier également que les fusibles ne sont pas grillés ou que le disjoncteur ne s'est pas déclenché.

LUBRIFICATION ET PROTECTION CONTRE LA ROUILLE

Appliquer chaque semaine une cire à parquets d'usage domestique sur la table de la machine, sur la rallonge de table ou toute autre surface de travail. Ou utiliser un produit protecteur commercial conçu à cet effet. Suivre les directives du fabricant pour l'utilisation et la sécurité.

Pour nettoyer les tables en fonte contre la rouille, utiliser le matériel suivant : une feuille de papier à poncer Scotch-Brite™ medium, une boîte de WD-40® et une boîte de dégraissant. Appliquer le WD-40 et polir la surface de la table avec le papier à poncer Scotch-Brite. Dégraisser la table puis appliquer le produit protecteur comme décrit ci-dessus.

ACCESSOIRES

Une ligne complète des accessoires est fournie des centres commerciaux d'usine de par votre de Porter-Cable•Delta fournisseur, de Porter-Cable•Delta, et des stations service autorisées par Porter-Cable. Veuillez visiter notre site Web www.deltaportercable.com pour un catalogue ou pour le nom de votre fournisseur plus proche.

▲ AVERTISSEMENT : Depuis des accessoires autre que ceux offerts par Porter-Cable•Delta n'ont pas été testés avec ce produit, utilisation de tels accessoires a pu être dangereux. Pour l'exploitation sûre, seulement Porter-Cable•Delta a recommandé des accessoires devrait être utilisé avec ce produit.

SERVICE

PIÈCES DE RECHANGE

Utiliser seulement des pièces de rechange identiques. Pour obtenir une liste des pièces de rechange ou pour en commander, consulter notre site Web au servicenet.deltamachinery.com. Commander aussi des pièces auprès d'une succursale d'usine ou composer le 1-800-223-7278 pour le service à la clientèle et recevoir ainsi une assistance personnalisée de techniciens bien formés.

ENTRETIEN ET RÉPARATION

Tous les outils de qualité finissent par demander un entretien ou un changement de pièce. Pour de plus amples renseignements à propos de Delta Machinery, ses succursales d'usine ou un centre de réparation sous garantie autorisé, consulter notre site Web au www.deltaportercable.com ou composer le 1-800-223-7278 pour le service à la clientèle. Toutes les réparations effectuées dans nos centres de réparation sont entièrement garanties contre les défauts de matériaux et de main-d'oeuvre. Nous ne pouvons garantir les réparations effectuées en partie ou totalement par d'autres.

Pour de plus amples renseignements par courrier, écrire à Delta Machinery, 4825 Highway 45 North, Jackson, Tennessee 38305, É.-U. – à l'attention de : Product Service. S'assurer d'indiquer toutes les informations figurant sur la plaque signalétique de l'outil (numéro du modèle, type, numéro de série, etc.).

REEMPLACEMENT GRATUIT DE L'ÉTIQUETTE

Si vos étiquettes d'avertissement deviennent illisibles ou sont manquantes, composez le 1-800-223-7278 pour obtenir une étiquette de remplacement gratuite.

⚠ WARNING

TO REDUCE THE RISK OF INJURY USER MUST READ THE INSTRUCTION MANUAL BEFORE OPERATING GRINDER. USE ONLY GRINDING WHEEL SUITABLE FOR 3600 RPM OR MORE. ALWAYS USE PROPER EYE AND RESPIRATORY PROTECTION. DO NOT WEAR GLOVES, NECKTIES, JEWELRY, LOOSE CLOTHING OR LONG HAIR. MAKE SURE WHEEL IS PROPERLY MOUNTED AND NOT CRACKED OR CHIPPED. WHEEL GUARDS, EYE AND SPARK SHIELDS MUST BE PROPERLY ADJUSTED AND TIGHTENED. SPACING BETWEEN TOOL RESTS AND WHEELS SHOULD BE SET AT 1/8 INCH (3.2 MM) OR LESS. HOLD WORKPIECE FIRMLY AGAINST TOOL REST. KEEP HANDS AWAY FROM GRINDING WHEEL. UNPLUG MACHINE FROM POWER SOURCE BEFORE MAKING REPAIRS OR ADJUSTMENTS. RISK OF INJURY DUE TO ACCIDENTAL STARTING. DO NOT USE NEAR CHILDREN. DO NOT OPERATE WHILE UNDER INFLUENCE OF DRUGS, ALCOHOL OR MEDICATION. SHOCK HAZARD DO NOT EXPOSE TO RAIN OR USE IN DAMP LOCATIONS.

⚠ ADVERTENCIA

PARA REDUCIR EL RIESGO DE LESIONES, EL USUARIO DEBE LEER EL MANUAL DE INSTRUCCIONES ANTES DE OPERAR LA ESMERILADORA. USE SOLAMENTE DISCOS PARA ESMERILAR APTOS PARA 3.600 R.P.M. O MÁS. SIEMPRE UTILICE PROTECCIÓN ADECUADA PARA LOS OJOS Y VÍAS RESPIRATORIAS. NO UTILICE GUANTES, CORBATAS, JOYAS, ROPA HOLGADA NI EL CABELLO LARGO SUELTO. ASEGÚRESE DE QUE EL DISCO ESTÉ DEBIDAMENTE MONTADO Y DE QUE NO PRESENTE GRIETAS NI MUESCAS. LOS DISPOSITIVOS DE SEGURIDAD DEL DISCO, LOS DISPOSITIVOS DE PROTECCIÓN PARA OJOS Y LOS DISPOSITIVOS ANTICHISPAS DEBEN COLOCARSE Y AJUSTARSE ADECUADAMENTE. EL ESPACIO ENTRE EL PORTAHERRAMIENTAS Y LOS DISCOS SE DEBE ESTABLECER A 3,2 MM (1/8 PULG) O MENOS. SOSTENGA LA PIEZA DE TRABAJO CON FIRMEZA CONTRA EL PORTAHERRAMIENTAS. MANTENGA LAS MANOS AJEJADAS DEL DISCO PARA ESMERILAR. DESENCHUFE LA MÁQUINA DE LA FUENTE DE ALIMENTACIÓN ANTES DE REALIZAR REPARACIONES O AJUSTES. EXISTE RIESGO DE LESIONES DEBIDO A UNA ACTIVACIÓN ACCIDENTAL. NO UTILICE ESTE APARATO CERCA DE NIÑOS. NO OPERE BAJO LA INFLUENCIA DE DROGAS, ALCOHOL O MEDICACIÓN. RIESGO DE DESCARGA ELÉCTRICA. NO EXPONGA A LA LLUVIA NI UTILICE EN LUGARES HÚMEDOS.

⚠ AVERTISSEMENT

L'UTILISATEUR DOIT LIRE LE MODE D'EMPLOI AVANT D'UTILISER LA MEULEUSE AFIN DE RÉDUIRE LE RISQUE DE BLESSURE. UTILISER UNIQUEMENT DES MEULES PRÉVUES POUR 3 600 TR/MIN OU PLUS. TOUJOURS UTILISER UNE PROTECTION OCULAIRE ET RESPIRATOIRE ADEQUATE. NE PAS PORTER DE CANTS, NI CRAVATES, NI BIJOUX OU VÊTEMENTS AMPLES ET COUVRIR LES CHEVEUX LONGS. S'ASSURER QUE LA MEULE EST BIEN ASSEMBLÉE ET INTACTE (SANS FISSURES OU ÉCLATS). BIEN RÉGLER ET SERRER LES PROTÈGE-MEULE, LES VISIÈRES ET LES PARE-ÉTINCELLES. MAINTENIR UNE ESPACE DE 3,2 MM (1/8 PO) OU MOINS ENTRE LE PORTE-OUTIL ET LES MEULES. TENIR LA PIÈCE FERMEMENT APPUYÉE CONTRE LE PORTE-OUTIL. ÉLOIGNER LES MAINS DE LA MEULE. DÉBRANCHER L'APPAREIL DE LA SOURCE D'ALIMENTATION AVANT TOUTES RÉPARATIONS OU RÉGLAGES. RISQUE DE BLESSURE DES SUITES D'UN DÉMARRAGE ACCIDENTEL. NE PAS UTILISER L'APPAREIL PRÈS D'ENFANTS. NE PAS UTILISER L'APPAREIL SOUS L'EMPRISE DE DROGUES, D'ALCOOL OU DE MÉDICAMENT. RISQUE DE CHOC ÉLECTRIQUE. NE PAS L'EXPOSER À LA PLUIE ET NE PAS L'UTILISER DANS UN ENDROIT HUMIDE.

DELTA®

⚠ WARNING

TO REDUCE THE RISK OF FIRE, USE 40-WATT OR LESS LIGHT BULB

⚠ ADVERTENCIA

PARA REDUCIR EL RIESGO DE INCENDIO, USE BOMBILLAS DE LUZ DE 40 VATTOS O MENOS

⚠ AVERTISSEMENT

POUR RÉDUIRE LE RISQUE D'INCENDIE, UTILISER UNE AMPOULE DE 40 WATTS OU MOINS



GARANTIE

Pour enregistrer votre outil pour la garantie service la visite notre site Web à www.deltaportercable.com.

Garantie limitée de deux ans

Delta réparera ou remplacera, à ses frais et à sa discrétion, toute nouvelle machine Delta, pièce de rechange ou tout accessoire qui, dans des circonstances d'utilisation normale, s'est avéré défectueux en raison de défauts de matériau ou de fabrication, à condition que le client retourne le produit (transport payé d'avance) au centre de réparation de l'usine Delta ou à un centre de réparation autorisé accompagné d'une preuve d'achat et dans les deux ans de la date d'achat du produit, et fournisse à Delta une opportunité raisonnable de vérifier le défaut présumé par une inspection. La période de garantie des produits Delta réusinés est de 180 jours. Delta peut demander que les moteurs électriques soient retournés (transport payé d'avance) à un centre de réparation autorisé du fabricant du moteur en vue d'une inspection, d'une réparation ou d'un remplacement. Delta ne peut être tenu pour responsable des défauts résultants de l'usure normale, de la mauvaise utilisation, de l'abus, de la réparation ou de la modification du produit, sauf en cas d'autorisation spécifique d'un centre de réparation ou d'un représentant Delta autorisé. En aucune circonstance Delta ne peut être tenu pour responsable des dommages accidentels ou indirects résultant d'un produit défectueux. Cette garantie constitue la seule garantie de Delta et le recours exclusif des clients en ce qui concerne les produits défectueux ; toutes les autres garanties, expresse ou implicites, de qualité marchande, d'adéquation à un usage particulier, ou autre, sont expressément déclinées par Delta.

AMÉRIQUE LATINE : Cette garantie ne s'applique aux produits vendus en Amérique latine. Pour ceux-ci, veuillez consulter les informations relatives à la garantie spécifique présente dans l'emballage, appeler l'entreprise locale ou consulter le site Web pour les informations relatives à cette garantie.

INSTRUCCIONES DE SEGURIDAD IMPORTANTES

⚠ ADVERTENCIA: Lea y entienda todas advertencias y las instrucciones operadoras antes de utilizar cualquier instrumento o el equipo. Cuando se usa instrumentos o equipo, las precauciones básicas de la seguridad siempre se deben seguir para reducir el riesgo de la herida personal. La operación impropia, la conservación o la modificación de instrumentos o equipo podrían tener como resultado el daño grave de la herida y la propiedad. Hay ciertas aplicaciones para que equipas con herramienta y el equipo se diseñó. La Delta Machinery recomienda totalmente que este producto no sea modificado y/o utilizado para ninguna aplicación de otra manera que para que se diseñó.

Si usted tiene cualquiera pregunta el pariente a su aplicación no utiliza el producto hasta que usted haya escrito Delta Machinery y nosotros lo hemos aconsejado. La forma en línea del contacto en www.deltaportercable.com o por correo Technical Service Manager, Delta Machinery, 4825 Highway 45 North, Jackson, TN 38305. En Canada, 125 Mural St. Suite 300, Richmond Hill, ON, L4B 1M4

Información con respecto a la operación segura y apropiada de este instrumento está disponible de las fuentes siguientes:

- Power Tool Institute, 1300 Sumner Avenue, Cleveland, OH 44115-2851 o en línea www.powertoolinstitute.org
- National Safety Council, 1121 Spring Lake Drive, Itasca, IL 60143-3201
- American National Standards Institute, 25 West 43rd Street, 4 floor, New York, NY 10036 www.ansi.org - ANSI 01.1 Safety Requirements for Woodworking Machines
- U.S. Department of Labor regulations www.osha.gov

GUARDE ESTAS INSTRUCCIONES!

PAUTAS DE SEGURIDAD/DEFINICIONES

Es importante para usted leer y entender este manual. La información que lo contiene relaciona a proteger SU SEGURIDAD y PREVENIR los PROBLEMAS. Los símbolos debajo de son utilizados para ayudarlo a reconocer esta información.

- ⚠ PELIGRO:** Indica una situación de inminente riesgo, la cual, si no es evitada, causará la muerte o lesiones serias.
- ⚠ ADVERTENCIA:** Indica una situación potencialmente riesgosa, que si no es evitada, podría resultar en la muerte o lesiones serias.
- ⚠ ATENCIÓN:** Indica una situación potencialmente peligrosa, la cual, si no es evitada, podría resultar en lesiones menores o mode-radas.
- ATENCIÓN:** Usado sin el símbolo de seguridad de alerta indica una situa-ción potencialmente riesgosa la que, si no es evitada, podría causar daños en la propiedad.

PROPOSICIÓN DE CALIFORNIA 65

⚠ ADVERTENCIA: Algunos tipos de aserrín creados por máquinas eléctricas de lijado, aserrado, amolado, perforado u otras actividades de la construcción, contienen materiales químicos conocidos (en el Estado de California) como causantes de cáncer, defectos de nacimiento u otros daños del aparato reproductivo. Algunos ejemplos de dichos productos químicos son:

- El plomo contenido en algunas pinturas con base de plomo
- Sílice cristalizado proveniente de los ladrillos, el cemento y otros productos de albañilería
- Arsénico y cromo de madera tratada químicamente

Su riesgo por causa de estas exposiciones varía, dependiendo de con cuánta frecuencia realice este tipo de trabajo. Para reducir su exposición a estos agentes químicos: trabaje en un área bien ventilada y trabaje con equipo de seguridad aprobado, use siempre protección facial o respirador **NIOSH/OSHA** aprobados cuando deba utilizar dichas herramientas.

NORMAS GENERALES DE SEGURIDAD

⚠ ADVERTENCIA Si no se siguen estas normas, el resultado podría ser lesiones graves.

- 1. PARA SU PROPIA SEGURIDAD, LEA EL MANUAL DE INSTRUCCIONES ANTES DE UTILIZAR LA MÁQUINA.** Al aprender la aplicación, las limitaciones y los peligros específicos de la máquina, se minimizará enormemente la posibilidad de accidentes y lesiones.
- 2. USE PROTECCIÓN DE LOS OJOS Y DE LA AUDICIÓN. USE SIEMPRE ANTEOJOS DE SEGURIDAD.** Los lentes de uso diario NO son anteojos de seguridad. USE EQUIPO DE SEGURIDAD CERTIFICADO. El equipo de protección de los ojos debe cumplir con las normas ANSI Z87.1. El equipo de protección de la audición debe cumplir con las normas ANSI S3.19.
- 3. USE INDUMENTARIA ADECUADA.** No use ropa holgada, guantes, corbatas, anillos, pulseras u otras joyas que podrían engancharse en las piezas móviles. Se recomienda usar calzado antideslizante. Use una cubierta protectora del pelo para sujetar el pelo largo.
- 4. NO UTILICE LA MÁQUINA EN UN ENTORNO PELIGROSO.** La utilización de herramientas mecánicas en lugares húmedos o mojados, o en la lluvia, puede causar descargas eléctricas o electrocución. Mantenga bien iluminada el área de trabajo para evitar tropezar o poner en peligro los brazos, las manos y los dedos.
- 5. MANTENGA TODAS LAS HERRAMIENTAS Y MÁQUINAS EN CONDICIONES ÓPTIMAS.** Mantenga las herramientas afiladas y limpias para lograr el mejor y más seguro rendimiento. Siga las instrucciones de lubricación y cambio de accesorios. Las herramientas y las máquinas mal mantenidas pueden dañar más la herramienta o la máquina y/o causar lesiones.
- 6. COMPRUEBE SI HAY PIEZAS DAÑADAS.** Antes de utilizar la máquina, compruebe si hay piezas dañadas. Compruebe la alineación de las piezas móviles, si las piezas móviles se atascan, si hay piezas rotas y toda otra situación que podría afectar su funcionamiento. Un protector o cualquier otra pieza que presente daños debe repararse o reemplazarse apropiadamente. Las piezas dañadas pueden causar daños adicionales a la máquina y/o lesiones.
- 7. MANTENGA LIMPIA EL ÁREA DE TRABAJO.** Las áreas y los bancos desordenados invitan a que se produzcan accidentes.
- 8. MANTENGA ALEJADOS A LOS NIÑOS Y A LOS VISITANTES.** El taller es un entorno potencialmente peligroso. Los niños y los visitantes pueden sufrir lesiones.
- 9. REDUZCA EL RIESGO DE UN ARRANQUE NO INTENCIONADO.** Asegúrese de que el interruptor esté en la posición de apagado antes de enchufar el cable de alimentación. En caso de un apagón, mueva el interruptor a la posición de apagado. Un arranque accidental podría causar lesiones.
- 10. UTILICE LOS PROTECTORES.** Asegúrese de que todos los protectores estén colocados en su sitio, sujetos firmemente y funcionando correctamente para prevenir lesiones.
- 11. QUITE LAS LLAVES DE AJUSTE Y DE TUERCA ANTES DE ARRANCAR LA MÁQUINA.** Las herramientas, los pedazos de desecho y otros residuos pueden salir despedidos a alta velocidad, causando lesiones.
- 12. UTILICE LA MÁQUINA ADECUADA.** No fuerce una máquina o un aditamento a hacer un trabajo para el que no se diseñó. El resultado podría ser daños a la máquina y/o lesiones.
- 13. UTILICE ACCESORIOS RECOMENDADOS.** La utilización de accesorios y aditamentos no recomendados por Delta podría causar daños a la máquina o lesiones al usuario.
- 14. UTILICE EL CORDÓN DE EXTENSIÓN ADECUADO.** Asegúrese de que el cordón de extensión esté en buenas condiciones. Cuando utilice un cordón de extensión, asegúrese de utilizar un cordón que sea lo suficientemente pesado como para llevar la corriente que su producto tome. Un cordón de tamaño insuficiente causará una caída de la tensión de la línea, lo cual producirá una pérdida de potencia y recalentamiento. Consulte el Cuadro de cordones de extensión para obtener el tamaño correcto dependiendo de la longitud del cordón y la capacidad nominal en amperios indicada en la placa de especificaciones. En caso de duda, utilice el próximo calibre más grueso. Cuanto más pequeño sea el número de calibre, más pesado será el cordón.
- 15. SUJETE FIRMEMENTE LA PIEZA DE TRABAJO.** Utilice las abrazaderas o el tornillo cuando usted no puede asegurar el objeto en la tabla y contra la cerca a mano o cuando su mano estará peligroso cerca de la lámina (dentro de 6").
- 16. HAGA AVANZAR LA PIEZA DE TRABAJO CONTRA EL SENTIDO DE ROTACIÓN DE LA HOJA, EL CORTADOR O LA SUPERFICIE ABRASIVA.** Si la hace avanzar desde el otro sentido, el resultado será que la pieza de trabajo salga despedida a alta velocidad.
- 17. NO FUERCE LA PIEZA DE TRABAJO SOBRE LA MÁQUINA.** El resultado podría ser daños a la máquina y/o lesiones.
- 18. NO INTENTE ALCANZAR DEMASIADO LEJOS.** Una pérdida del equilibrio puede hacerle caer en una máquina en funcionamiento, causándole lesiones.
- 19. NO SE SUBA NUNCA A LA MÁQUINA.** Se podrían producir lesiones si la herramienta se inclina o si usted hace contacto accidentalmente con la herramienta de corte.
- 20. NO DEJE NUNCA DESATENDIDA LA MÁQUINA CUANDO ESTÉ EN MARCHA. APÁGUELA.** No deje la máquina hasta que ésta se detenga por completo. Un niño o un visitante podría resultar lesionado.
- 21. APAGUE LA MÁQUINA Y DESCONÉCTELA DE LA FUENTE DE ALIMENTACIÓN** antes de instalar o quitar accesorios, antes de ajustar o cambiar configuraciones o al realizar reparaciones. Un arranque accidental puede causar lesiones.
- 22. HAGA SU TALLER A PRUEBA DE NIÑOS CON CANDADOS E INTERRUPTORES MAESTROS O QUITANDO LAS LLAVES DE ARRANQUE.** El arranque accidental de una máquina por un niño o un visitante podría causar lesiones.
- 23. MANTÉNGASE ALERTA, FÍJESE EN LO QUE ESTÁ HACIENDO Y USE EL SENTIDO COMÚN. NO UTILICE LA MÁQUINA CUANDO ESTÉ CANSADO O BAJO LA INFLUENCIA DE DROGAS, ALCOHOL O MEDICAMENTOS.** Un momento de distracción mientras se estén utilizando herramientas mecánicas podría causar lesiones.
- 24. ⚠ ADVERTENCIA EL USO DE ESTA HERRAMIENTA PUEDE GENERAR Y DISPERSAR POLVO U OTRAS PARTÍCULAS SUSPENDIDAS EN EL AIRE, INCLUYENDO POLVO DE MADERA, POLVO DE SÍLICE CRISTALINA Y POLVO DE ASBESTO.** Dirija las partículas de modo que se alejen de la cara y del cuerpo. Utilice siempre la herramienta en un área bien ventilada y proporcione un medio apropiado de remoción de polvo. Use un sistema de recolección de polvo en todos los lugares donde sea posible. La exposición al polvo puede causar lesiones respiratorias graves y permanentes u otras lesiones graves y permanentes, incluyendo silicosis (una enfermedad pulmonar grave), cáncer y muerte. Evite aspirar el polvo y evite el contacto prolongado con el polvo. Si se permite que el polvo entre en la boca o en los ojos, o que se deposite en la piel, se puede promover la absorción de material nocivo. Use siempre protección respiratoria aprobada por NIOSH/OSHA que se ajuste apropiadamente y sea adecuada para la exposición al polvo, y lávese las áreas expuestas con agua y jabón.

NORMAS ESPECÍFICAS ADICIONALES DE SEGURIDAD

▲ ADVERTENCIA Si no se siguen estas normas, el resultado podría ser lesiones personales graves.

- NO UTILICE ESTA MÁQUINA** hasta que esté completamente montada e instalada de acuerdo con las instrucciones. Una máquina montada incorrectamente puede causar lesiones graves.
- OBTenga ASESORAMIENTO** de su supervisor, su instructor u otra persona calificada si no está bien familiarizado con la utilización de esta máquina. El conocimiento es seguridad.
- SIGA TODOS LOS CÓDIGOS DE CABLEADO** y las conexiones eléctricas recomendadas para evitar las descargas eléctricas o la electrocución.
- UTILICE SIEMPRE EL DISCO DE PAPEL SECANTE Y LAS PESTAÑAS DE RUEDA DE AMOLAR QUE SE SUMINISTRAN** para montar las ruedas de amolar en el eje de la amoladora, con el fin de prevenir la separación accidental. La separación hará que salgan fragmentos despedidos de la rueda de amolar a altas velocidades.
- UTILICE ÚNICAMENTE RUEDAS DE AMOLAR** adecuadas para la velocidad de la máquina. Las ruedas de amolar inadecuadas pueden hacerse pedazos, lanzando fragmentos a altas velocidades.
- UTILICE ÚNICAMENTE RUEDAS DE AMOLAR** que tengan un diámetro interior exactamente igual a los ejes portaherramienta de la máquina. No intente nunca maquinar una rueda de amolar de tamaño insuficiente para adaptarla a un eje portaherramienta. Las ruedas de amolar inadecuadas pueden hacerse pedazos, lanzando fragmentos a altas velocidades.
- NO APRIETE EXCESIVAMENTE LA TUERCA DE LA RUEDA DE AMOLAR.**
- NO UTILICE UNA RUEDA DE AMOLAR QUE VIBRE.** Reacondicione la rueda de amolar, reemplácela o reemplace los cojinetes del eje. Las ruedas de amolar inadecuadas pueden hacerse pedazos, lanzando fragmentos a altas velocidades.
- INSPECCIONE LAS RUEDAS DE AMOLAR** antes de arrancar la máquina para comprobar si tienen grietas o picaduras. **REEMPLACE INMEDIATAMENTE LAS RUEDAS DE AMOLAR DAÑADAS.** Partes de la rueda pueden salir despedidas a altas velocidades y causar lesiones graves.
- AJUSTE LOS PROTECTORES ANTICHISPAS** cerca de la rueda de amolar y reajústelos a medida que la rueda se vaya desgastando. Las chispas que salen despedidas son peligrosas y pueden causar incendios o explosiones.
- ASEGÚRESE SIEMPRE** de que los protectores de las ruedas de amolar y los protectores de los ojos estén colocados en su sitio, ajustados adecuadamente y sujetos apropiadamente.
- AJUSTE LOS SOPORTES DE LA HERRAMIENTA** cerca de la rueda de amolar (a 1/8" de separación o menos). Apriete firmemente el soporte de la herramienta para evitar que se produzcan cambios de posición y reajústelo a medida que la rueda de amolar se vaya desgastando. La pieza de trabajo puede ser arrastrada hasta la rueda de amolar, causando daños a la pieza de trabajo y/o lesiones graves.
- SITÚESE A UN LADO** antes de encender la máquina. Podrían salir despedidos de la rueda a altas velocidades fragmentos sueltos o partes sueltas de la rueda.
- NO AMOLE NUNCA EN UNA RUEDA DE AMOLAR FRÍA.** Haga funcionar la amoladora durante un minuto completo antes de aplicar la pieza de trabajo. Una rueda de amolar fría tiene tendencia a descascararse. Los fragmentos resultantes podrían salir despedidos de la rueda a alta velocidad.
- NO ARRANQUE NUNCA LA MÁQUINA** con la pieza de trabajo contra la rueda de amolar. La pieza de trabajo puede ser arrastrada hasta la rueda de amolar, causando daños a la máquina y/o lesiones graves.
- LIMPIE LA MÁQUINA** minuciosamente cuando procese distintos tipos de piezas de trabajo (de madera, acero o aluminio). La combinación de polvo de madera y polvo de metal puede crear un peligro de explosión o de incendio. **NO LIJE NI PULA MAGNESIO.** Si lo hace, se producirá un incendio.
- NO AMOLE NUNCA CERCA DE GASES O LÍQUIDOS INFLAMABLES.** Las chispas pueden producir un incendio o una explosión.
- EVITE LAS OPERACIONES COMPLICADAS Y LAS POSICIONES DIFÍCILES DE LAS MANOS.** Un resbalón repentino podría hacer que una mano se mueva hasta la rueda de amolar.
- MANTENGA LOS BRAZOS, LAS MANOS Y LOS DEDOS** alejados de la rueda de amolar. Las superficies abrasivas pueden causar lesiones graves.
- SUJETE LA PIEZA DE TRABAJO FIRMEMENTE** contra el soporte de la herramienta. Una pérdida de control de la pieza de trabajo puede causar lesiones graves.
- REACONDICIONE LA RUEDA DE AMOLAR** solamente en la cara. El reacondicionamiento del lado de la rueda de amolar podría hacer que ésta se volviera demasiado delgada como para utilizarla de modo seguro.
- AMOLE UNA PIEZA DE TRABAJO** utilizando solamente la cara de la rueda de amolar. Una pérdida de control de la pieza de trabajo puede causar lesiones graves.
- NO APLIQUE NUNCA REFRIGERANTE** directamente a la rueda de amolar. El refrigerante puede debilitar la fuerza de adhesión de la rueda de amolar y puede hacer que falle. Sumerja la pieza de trabajo en agua para enfriarla.
- NO TOQUE** la porción amolada de una pieza de trabajo hasta que se haya enfriado suficientemente. El amolado genera calor.
- SOPORTE APROPIADAMENTE LAS PIEZAS DE TRABAJO LARGAS O ANCHAS.** Una pérdida de control de la pieza de trabajo puede causar lesiones graves.
- NO REALICE NUNCA TRABAJO DE INSTALACIÓN, MONTAJE O PREPARACIÓN** en la mesa o el área de trabajo cuando la máquina esté en marcha. Un resbalón repentino podría hacer que una mano se mueva hasta la rueda de amolar. El resultado puede ser lesiones graves.
- APAGUE LA MÁQUINA,** desconéctela de la fuente de alimentación y limpie la mesa o el área de trabajo antes de dejar la máquina. **BLOQUEE EL INTERRUPTOR EN LA POSICIÓN DE APAGADO** para impedir el uso no autorizado. Otra persona podría arrancar accidentalmente la máquina y resultar lesionada.
- HAY INFORMACIÓN ADICIONAL** disponible relacionada con la utilización segura y apropiada de herramientas mecánicas (por ejemplo, un video sobre seguridad) a través del Instituto de Herramientas Mecánicas, Power Tool Institute, 1300 Sumner Avenue, Cleveland, OH 44115-2851 (www.powertoolinstitute.com). También hay información disponible a través del Consejo Nacional de Seguridad, National Safety Council, 1121 Spring Lake Drive, Itasca, IL 60143-3201. Sírvase consultar también los Requisitos de Seguridad para Máquinas de Elaboración de la Madera ANSI 01.1 del Instituto Nacional Americano de Normas (American National Standards Institute) y las normas OSHA 1910.213 del Departamento de Trabajo de los EE.UU.

GUARDE ESTAS INSTRUCCIONES.

Refiérase a ellas con frecuencia y utilícelas para adiestrar a otros.

CONEXIONES A LA FUENTE DE ALIMENTACIÓN

Debe utilizarse un circuito eléctrico independiente para las máquinas. Este circuito debe tener alambre de no menos del No. 12 y debe estar protegido con un fusible de acción retardada de 20 A. Si se utiliza un cordón de extensión, utilice únicamente cordones de extensión de tres alambres que tengan enchufes de tipo de conexión a tierra con tres terminales y un receptáculo coincidente que acepte el enchufe de la máquina. Antes de conectar el máquina a la línea de alimentación, asegúrese de que el interruptor(s) esté en la posición de apagado y cerciórese de que la corriente eléctrica tenga las mismas características que las que estén indicadas en la máquina. Todas las conexiones a la línea de alimentación deben hacer buen contacto. El funcionamiento a bajo voltaje dañará el máquina.

⚠ PELIGRO No exponga la máquina a la lluvia ni la utilice en lugares húmedos.

ESPECIFICACIONES DEL MOTOR

La máquina está cableada para corriente alterna de 120 V, 60 Hz. Antes de conectar la máquina a la fuente de alimentación, asegúrese de que el interruptor esté en la posición de apagado.

INSTRUCCIONES DE CONEXIÓN A TIERRA

⚠ PELIGRO Esta máquina debe estar conectada a tierra mientras se esté utilizando, para proteger al operador contra las descargas eléctricas.

1. Todas las máquinas conectadas con cordón conectadas a tierra:

En caso de mal funcionamiento o avería, la conexión a tierra proporciona una ruta de resistencia mínima para la corriente eléctrica, con el fin de reducir el riesgo de descargas eléctricas. Esta máquina está equipada con un cordón eléctrico que tiene un conductor de conexión a tierra del equipo y un enchufe de conexión a tierra. El enchufe debe enchufarse en un tomacorriente coincidente que esté instalado y conectado a tierra adecuadamente, de acuerdo con todos los códigos y ordenanzas locales.

No modifique el enchufe suministrado. Si el enchufe no cabe en el tomacorriente, haga que un electricista calificado instale el tomacorriente apropiado.

La conexión inapropiada del conductor de conexión a tierra del equipo puede dar como resultado riesgo de descargas eléctricas. El conductor con aislamiento que tiene una superficie exterior de color verde con o sin franjas amarillas es el conductor de conexión a tierra del equipo. Si es necesario reparar o reemplazar el cordón eléctrico o el enchufe, no conecte el conductor de conexión a tierra del equipo a un terminal con corriente.

Consulte a un electricista competente o a personal de servicio calificado si no entiende completamente las instrucciones de conexión a tierra o si tiene dudas en cuanto a si la máquina está conectada a tierra apropiadamente.

Utilice únicamente cordones de extensión de tres alambres que tengan enchufes de tipo de conexión a tierra con tres terminales y receptáculos de tres conductores que acepten el enchufe de la máquina, tal como se muestra en la Fig. A.

Repare o reemplace inmediatamente los cordones dañados o desgastados.

2. Máquinas conectadas con cordón conectadas a tierra diseñadas para utilizarse en un circuito de alimentación que tenga una capacidad nominal de menos de 150 V:

Si la máquina está diseñada para utilizarse en un circuito que tenga un tomacorriente parecido al que se ilustra en la Fig. A, la máquina tendrá un enchufe de conexión a tierra que se parece al enchufe ilustrado en la Fig. A. Puede utilizarse un adaptador temporal, que se parece al adaptador ilustrado en la Fig. B, para conectar este enchufe a un receptáculo coincidente de dos conductores, tal como se muestra en la Fig. B, si no se dispone de un tomacorriente conectado a tierra apropiadamente. El adaptador temporal debe utilizarse solamente hasta que un electricista calificado pueda instalar un tomacorriente conectado a tierra apropiadamente. La orejeta, lengüeta, etc., rígida de color verde que sobresale del adaptador debe conectarse a una toma de tierra permanente, como por ejemplo una caja tomacorriente conectada a tierra adecuadamente. Siempre que se utilice un adaptador, debe sujetarse en su sitio con un tornillo de metal.

NOTA: En Canadá, el uso de un adaptador temporal no está permitido por el Código Eléctrico Canadiense.

⚠ PELIGRO En todos los casos, asegúrese de que el receptáculo en cuestión esté conectado a tierra adecuadamente. Si no está seguro, haga que un electricista calificado compruebe el receptáculo.

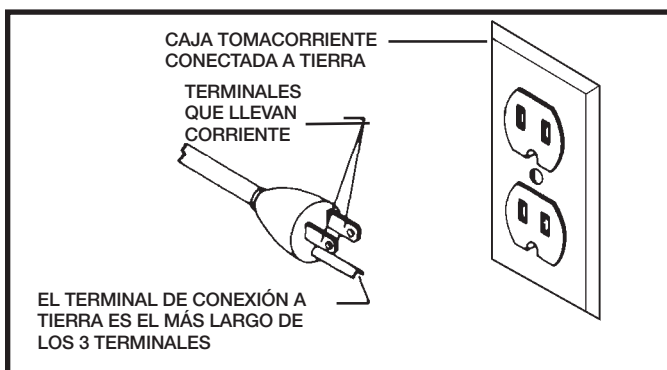


Fig. A

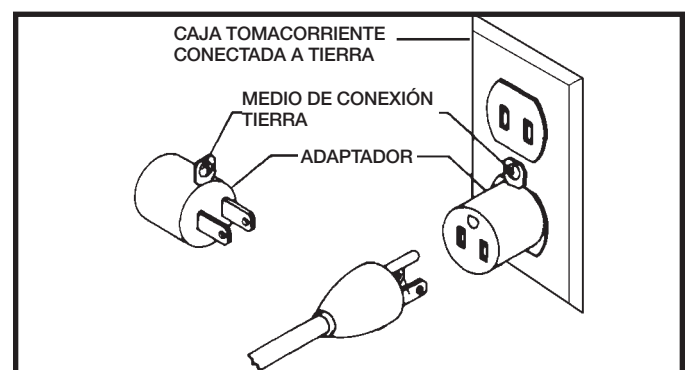


Fig. B

CORDONES DE EXTENSIÓN

⚠ ADVERTENCIA Utilice cordones de extensión apropiados. Asegúrese de que el cordón de extensión esté en buenas condiciones y de que sea un cordón de extensión de tres alambres que tenga un enchufe de tipo de conexión a tierra con tres terminales y un receptáculo coincidente que acepte el enchufe de la máquina. Cuando utilice un cordón de extensión, asegúrese de emplear un cordón que sea lo suficientemente pesado como para llevar la corriente de la máquina. Un cordón de tamaño insuficiente causará una caída de la tensión de la línea eléctrica que dará como resultado pérdida de potencia y recalentamiento. En la Fig. D1 se muestra el calibre correcto que debe utilizarse dependiendo de la longitud del cordón. En caso de duda, utilice el siguiente calibre más pesado. Cuanto más pequeño sea el número de calibre, más pesado será el cordón.

CORDÓN DE EXTENSIÓN DE CALIBRE MÍNIMO			
TAMAÑOS RECOMENDADOS PARA USO CON MÁQUINAS ELÉCTRICAS ESTACIONARIAS			
Capacidad Nominal En Amperios	Voltios	Longitud Total Del Cordon En Pies	Calibre Del Cordon De Extensión
0-6	120	Hasta 25	18 AWG
		25-50	16 AWG
		50-100	16 AWG
		100-150	14 AWG
6-10	120	Hasta 25	18 AWG
		25-50	16 AWG
		50-100	14 AWG
		100-150	12 AWG
10-12	120	Hasta 25	16 AWG
		25-50	16 AWG
		50-100	14 AWG
		100-150	12 AWG
12-16	120	Hasta 25	14 AWG
		25-50	12 AWG
		GREATER THAN 50 FEET NOT RECOMMENDED	

Fig. D-1

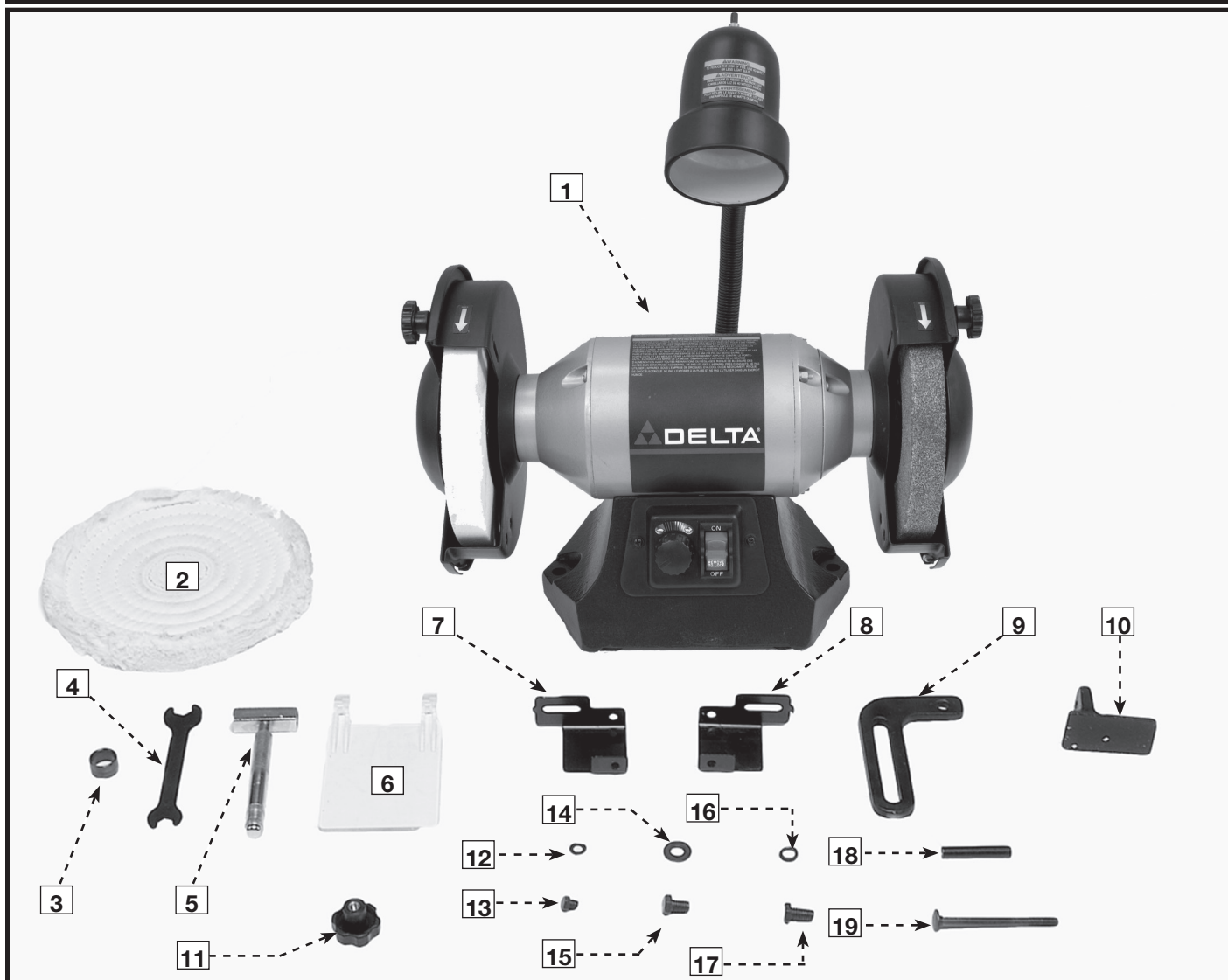
DESCRIPCIÓN FUNCIONAL

PROLOGO

El Delta GR450 modelo es una amoladora velocidad 8"Variable. El modelo GR450 viene con una lámpara flexible, la herramienta ajustable se reclina, y dos protectores grandes del ojo para la seguridad agregada.

NOTA: La foto del cubierta del manual ilustra el modelo de production actual. Todas las demas ilustraciones son solamente representativas y es posible que no muestren el color, el etiquetado y los accesorios reales.

CONTENIDO DE CARTON



- | | | | |
|-----|---------------------------------------|-----|---|
| 1. | Amoladora | 12. | Arandela plana de 1/4" (4) |
| 2. | Rueda Que pulimenta | 13. | Tornillo de cabeza hexagonal de 1/4-20x1/4" (2) |
| 3. | Buje De la Rueda Que pulimenta | 14. | Arandela Plana Del 3/4" (4) |
| 4. | Llave de tuerca | 15. | Tornillo de cabeza hexagonal de 5/16-18x1/2" (4) |
| 5. | Aparador de la rueda | 16. | Arandela de cierre del 5/16" (2) |
| 6. | Protector de los ojos (2) | 17. | Tornillo principal de la perilla 5/16-18x3/4" (2) |
| 7. | Protector antichispas del izquierdo | 18. | Espaciador del blindaje del ojo (2) |
| 8. | Protector antichispas del derecho | 19. | Perno del protector de los ojos (2) |
| 9. | Brazo Del Resto De la Herramienta (2) | | |
| 10. | Resto De la Herramienta (2) | | |
| 11. | Pomo del protector de los ojos (2) | | |

DESEMPAQUETADO Y LIMPIEZA

Desembale cuidadosamente la máquina y todos los elementos sueltos del o los contenedores de envío. Retire el aceite anticorrosivo de las superficies sin pintura con un paño suave humedecido con alcohol mineral, solvente o alcohol desnaturalizado.

⚠ ATENCIÓN:

No use solventes volátiles como gasolina, nafta, acetona o solvente de barniz para limpiar LA sierra.

Luego de limpiar, cubra las superficies sin pintura con cera en pasta de buena calidad que se utiliza para los pisos del hogar.

ENSAMBLAJE

⚠ ADVERTENCIA Para su propia seguridad, no conecte la máquina a la fuente de energía hasta que la máquina haya sido ensamblada por completo y usted haya leído y entendido completamente el manual del propietario.

HERRAMIENTAS DE ENSAMBLAJE REQUERIDAS

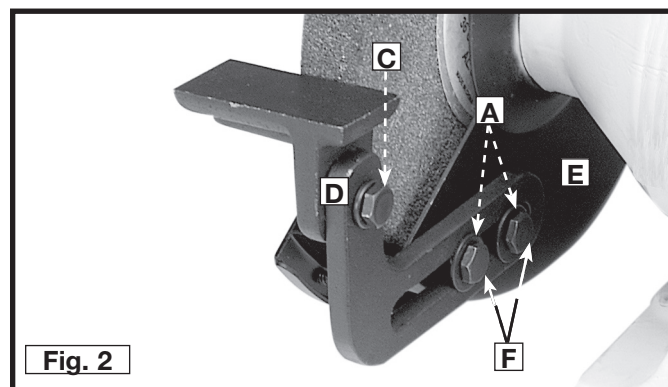
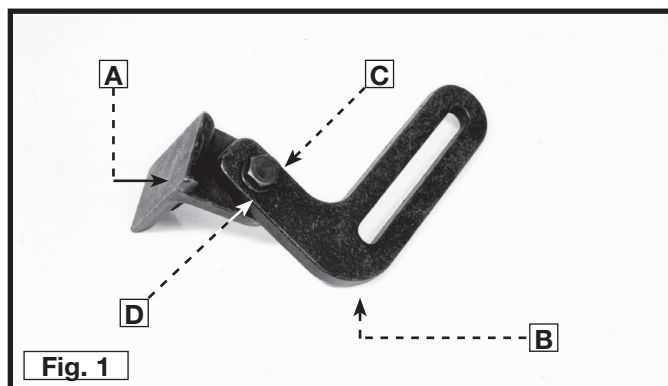
Llave de tuerca (provisto)

ESTIMACIÓN DEL TIEMPO DE ENSAMBLAJE

La asamblea para esta máquina es más o menos 30 minutos.

MONTAJE DE LOS PORTAHERRAMIENTAS

1. Monte el portaherramientas ajustable (A) Fig. 1, a la izquierda del brazo del portaherramientas (B) y afiance con un tornillo de cabeza hexagonal de 5/16-18x3/4 pulg. (C) de largo y 5/16 arandela de cierre (D). Monte el portaherramientas restante al lado derecho del otro brazo de portaherramientas de la misma manera. Apriete libremente el hardware para el ajuste adicional.
2. Monte el conjunto del portaherramientas izquierdo (D) Fig. 2 al interior del protector de ruedas izquierdo (E), afianzándolo con dos tornillos de 5/16-18x1/2 pulg. (F) de largo y 3/4 arandelas planas (G).
3. Monte el conjunto del portaherramientas derecho al interior del protector de ruedas derecho y afiáncele con dos tornillos de cabeza hexagonal de 5/16-18x1/2 pulg. de largo y 3/4" arandelas planas en el mismo modo.
4. Cada portaherramientas (D) Fig. 2 es ajustable. Coloquelo levemente abajo y tan cerca como sea posible a la línea central de la rueda que muele a la ayuda máxima del gove al objeto. Se debe mantener una distancia de 1/8 pulg. o menos entre la rueda rectificadora y el borde interno del portaherramientas. Ajuste el resto de la herramienta cuando la rueda que muele usa abajo. Cuando el portaherramientas esté debidamente colocado, apriete la herramienta C y F (Fig. 2). Al moler sin el uso de un resto de la herramienta (a pulso el moler), utilice el cuarto más bajo de la rueda que muele.

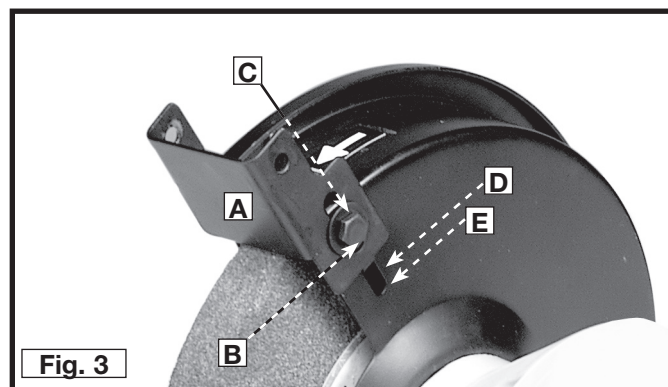


ENSAMBLAJE DE LOS PROTECTORES DE CHISPAS

El protector de chispas (A) Fig. 3 debe montarse al lado de cada protector de ruedas, haciendo uso del tornillo de 1/2 pulg. de largo 1/4-20x1/4" (B) y de la arandela 1/4" (C).

NOTA: La tabulación (D) Fig. 3, en la cara del protector de la chispa (A), se debe colocar en la ranura (E), antes de asociar al protector de la chispa (A) a la amoladora.

Ajuste del protector de la chispas (A) Fig. 3 tan cerca como sea posible a la rueda rectificadora proteger su mano contra chispas. Ajuste a protector de la chispas cuando la rueda rectificadora usa abajo..



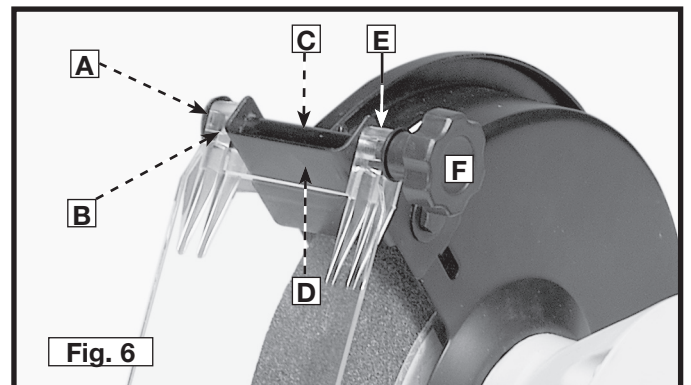
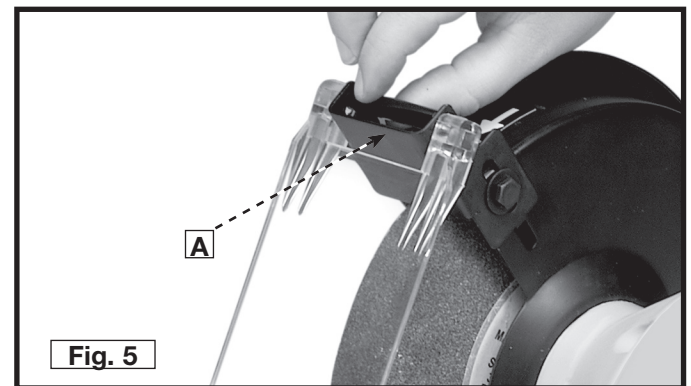
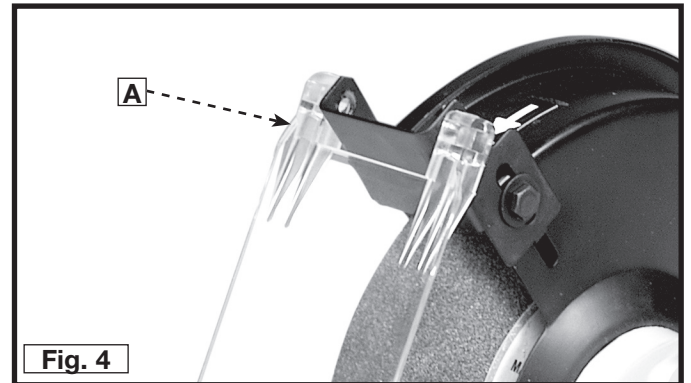
ENSAMBLAJE DE LOS ESCUDOS OCULARES

Su rectificadora está equipada con dos escudos oculares de seguridad para la protección del operario.

⚠ ADVERTENCIA: Always wear eye protection.

Para unir los escudos oculares:

1. Coloque el protector (A) Fig. 4 de los ojos sobre el protector antichispas.
2. Alinee los agujeros del protector de los ojos con los agujeros del protector antichispas y coloque el espaciador del protector de los ojos (A) Fig. 7 en medio del espacio del protector antichispas.
3. Introduzca el perno del protector de los ojos (A), Fig. 6, a través del agujero del protector de los ojos (B), el espaciador del protector de los ojos (C) y el protector antichispas (D).
4. Coloque una arandela plana de 1/4" (E) Fig. 8 en el extremo del perno del protector de los ojos. Sujete el pomo del protector de los ojos (F) al extremo del perno del protector de los ojos.
5. Monte el otro protector de los ojos de la misma manera.



AFIANZANDO LA RECTIFICADORA A LA SUPERFICIE DE APOYO

Si existe cualquier tendencia por parte de la máquina en volcarse, deslizarse, o “caminar” durante el funcionamiento, la rectificadora debe ser afianzada a la superficie de apoyo a través de los traves de los dos agujeros (A) Fig. 7 en la base de la rectificadora.



OPERACIÓN

CONTROLES Y AJUSTES OPERACIONALES

ARRANCANDO Y DETENIENDO LA RECTIFICADORA

⚠ ADVERTENCIA Asegúrese de que el interruptor esté en la posición de "APAGADO" (OFF) antes de enchufar el cable de alimentación en el tomacorriente. No toque las patas de metal del enchufe al enchufar o desenchufar el cable.

El interruptor de ENCENDIDO/APAGADO (A) Fig. 8 está localizado de la rectificadora. Para ENCENDER la máquina, mueva el interruptor (A) a la posición elevada. Para APAGAR la máquina, mueva el interruptor (A) a la posición inferior.

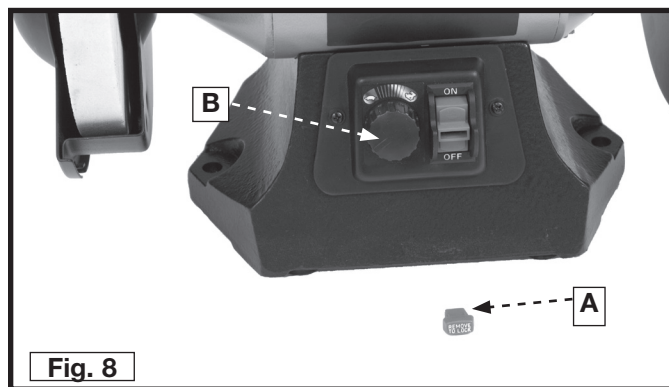
FIJANDO EL INTERRUPTOR EN LA POSICION DE APAGADO

IMPORTANTE: Cuando la herramienta no es adentro uso, el interruptor se debe bloquear en el OFF posición para prevenir uso desautorizado. Esto puede hacerse tomando la pieza acodada (A) y removiéndolo por completo del interruptor, tal como se ilustra en la Fig. 8. El interruptor no funcionará sin la pieza acodada (A). No obstante, si se quita la pieza acodada mientras que de la rectificadora está funcionando, ésta puede ser apagada una vez, pero no puede volver a arrancar sin la inserción de la pieza acodada (A)

⚠ ADVERTENCIA En el caso de un corte eléctrico (por ejemplo por un interruptor o fusible quemados) bloquee siempre el interruptor en la posición de apagado (off) hasta que se restablezca la energía principal.

CONTROL DE VELOCIDAD VARIABLE

La amoladora está equipada con un control de velocidad variable (B) Fig.8. Cuando el pomo de control de velocidad variable está ubicado en la posición más a la izquierda (en sentido contrario al de las agujas del reloj), las RPM son 1725. La rotación aumenta cuando la perilla de control variable de la velocidad se da vuelta a la derecha. La derecha lejana colocada, la RPM es 3450.



LAMPARA FLEXIBLE

La lámpara flexible funciona independientemente de la rectificadora. Para encender y apagar la lámpara, gire el interruptor (A) Fig. 9.

⚠ ADVERTENCIA: Para reducir el riesgo de incendio, utilice focos para reflectores sobre rieles de 40 vatios o menos y de 120 voltios (no incluidos). No debe utilizarse un foco doméstico estándar. El foco para reflectores sobre rieles no debe extenderse más allá de la pantalla de la lámpara.



RUEDAS RECTIFICADORAS

⚠ ADVERTENCIA: El uso de accesorios que no sean los recomendados por delta puede conllevar el riesgo de lesionamientos.

Las ruedas rectificadoras utilizadas con esta rectificadora deben estar tasadas para un funcionamiento de 3600 RPM o más alto, y deben tener un diámetro de 8 pulg. con un agujero de arbol de 5/8 pulg.

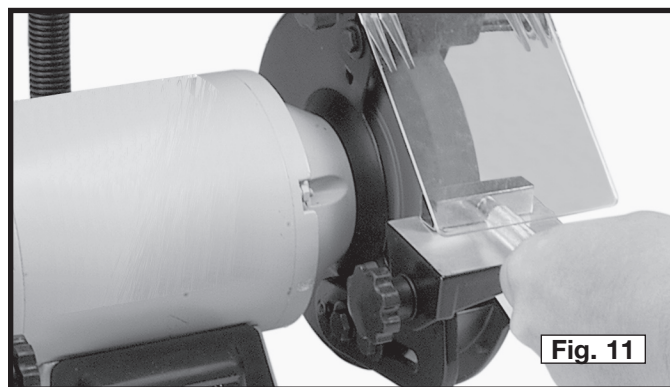
ATENCIÓN: No utilice las ruedas menos el de 1 PULG. ancho esto causaran la vibración y podrían dañar la máquina.

Con su rectificadora se suministran dos ruedas rectificadoras de óxido de aluminio, una de ellas con un grano de 36 y la otra con un grano de 60. Para obtener el mejor resultado posible durante la rectificación, y para mantener un buen equilibrio, mantenga las ruedas debidamente acabadas. No fuerce el material contra una rueda fría. La rueda rectificadora debe ser accionada siempre a marcha lenta por un minuto completo antes de aplicar el material. Se recomienda que se utilicen sólo ruedas equilibradas con su rectificadora. Usar las ruedas equilibradas agrega años a la vida de los cojinetes en la amoladora. Eliminando la fuente más común de la vibración, sus proyectos que muelen serán más exactos.

⚠ ADVERTENCIA: Mantenga siempre una distancia de 1/8" o menos entre la rueda rectificadoras y el resto de la herramienta. Ajuste los restos de la herramienta y protector antichispas como las ruedas geinding disminuyen de tamaño con uso.

ACABANDO UNA RUEDA RECTIFICADORA

Utilizar un rectificador apropiado de carburo de silicon tipo varilla (Fig. 11). Mueva el rectificador hacia adelante sobre el portaherramientas hasta rozar el punto alto de la cara de la rueda y acabe la rueda moviendo el rectificador de lado a lado. Repita dicho procedimiento hasta que la cara de la rueda quede limpia y las esquinas de la rueda estén parejas.



CAMBIO DE RUEDAS

⚠ ADVERTENCIA: Desconecte la máquina de fuente de energía.

1. Afloje de las perillas (A) Fig. 12 and quitan.
2. Rote las cubiertas de la rueda (B) Fig. 12 hacia atrás, y quita las cubiertas de la rueda.
3. Tire de las dos alas de la tuerca del cenador (A) Fig. 13 hacia fuera.
4. Para aflojar, coloque la llave incluida (B) Fig. 13B on los planos del eje del motor y lo apoya en el resto de la herramienta para guardar el eje de dar vuelta mientras que quita la tuerca del cenador (A) Fig. 13. To afloja cualquier tuerca del cenador, le da vuelta hacia el frente de la amoladora.

NOTA: En caso de necesidad, inserte un destornillador plano (A) Fig. 13B por la abertura en la tuerca del cenador y la utiliza para proporcionar más esfuerzo de torsión para aflojar la tuerca.

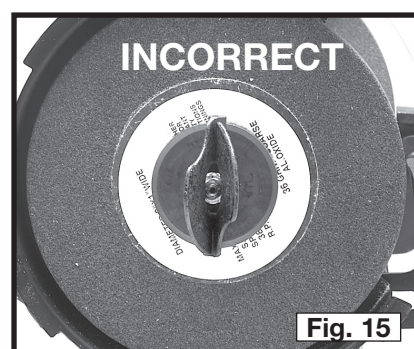
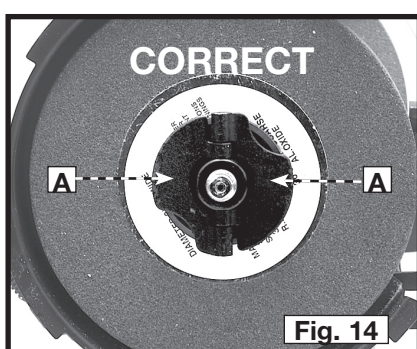
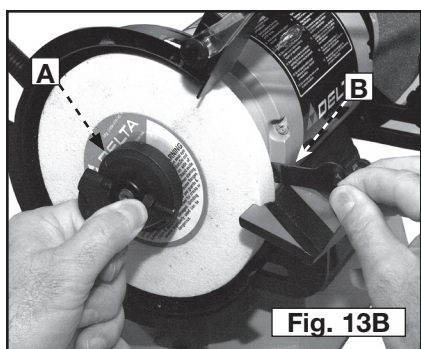
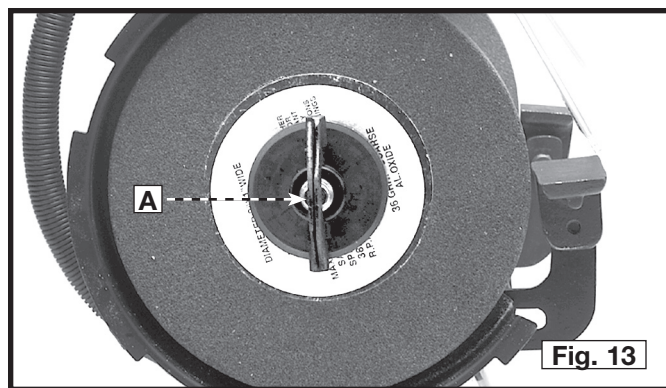
5. Quite la tuerca del cenador, el reborde de la rueda, y la vieja rueda que muele.
6. Coloque la rueda que muele nueva en el cenador.

NOTA: La rueda que muele debe ser el 1" ancho.

7. Coloque el reborde en el cenador y rosque la tuerca del cenador en el cenador hasta que las marcas de la tuerca del cenador entran en contacto con con el reborde del cenador. Empuje las alas de la tuerca del cenador (A) Fig. 13 fuera de a la posición cerrada. Las alas deben poner completamente contra el reborde del cenador (Fig. 14) y no izquierdo en la posición abierta Fig. 15.

ATENCIÓN: Las alas de la tuerca del cenador deben entrar en contacto con el reborde del cenador para prevenir la vibración.

6. Substituya las cubiertas de la rueda que fueron quitadas en **LOS PASOS 1 y 2.**
7. Ajuste los protectores de la chispa y los restos de la herramienta antes de funcionar la máquina.



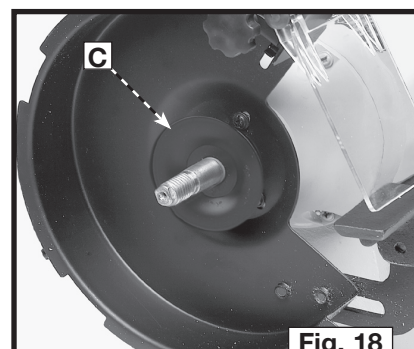
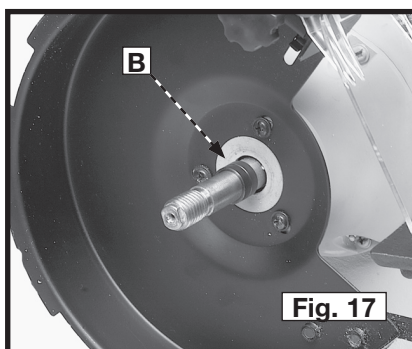
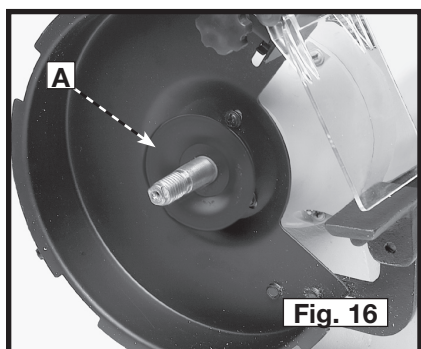
INSTALACIÓN DE LA RUEDA QUE PULIMENTA

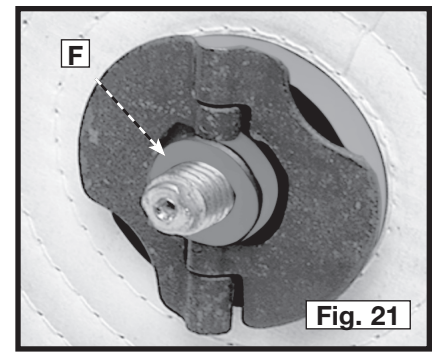
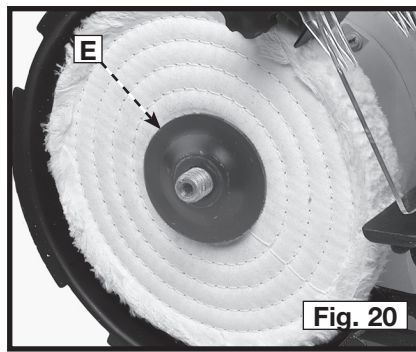
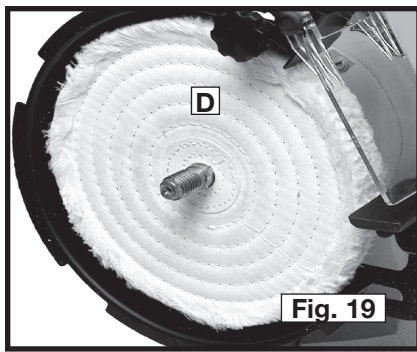
⚠ ADVERTENCIA: Desconecte la máquina de fuente de energía.

1. Quite una rueda que muele según lo mandado en las **RUEDAS QUE MUELEN QUE CAMBIAN** de la sección.
2. Quite el reborde interno de la rueda (A) Fig. 16
3. Ponga del buje de la rueda que pulimenta (B) Fig. 17, sobre el eje.
4. Substituya el reborde interno de la rueda (A) Fig. 18 on el eje.
5. Ponga de la rueda que pulimenta (C) Fig. 19 en el eje.
6. Ponga la otra reborde de la rueda (D) Fig. 201 en el eje.
7. Rosque la tuerca del cenador (E) Fig. 21 sobre el cenador, hasta que las marcas de la tuerca del cenador entran en contacto con con el reborde del cenador.
8. Empuje las alas de la tuerca del cenador hacia fuera a la posición cerrada (Fig. 21)

ATENCIÓN: Las alas de la tuerca del cenador deben entrar en contacto con el reborde del cenador para prevenir la vibración.

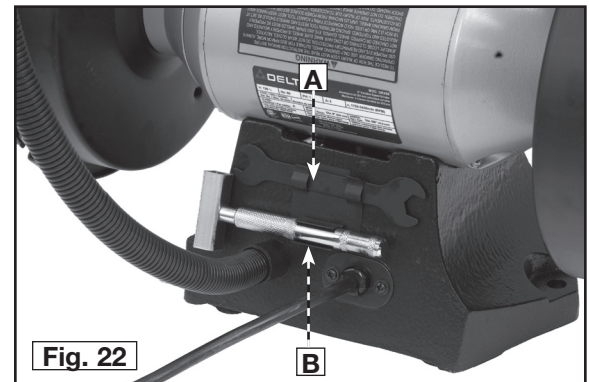
9. Substituya la cubierta de la rueda que fue quitada en el paso 2.
10. Ajuste el resto del protector y de la herramienta de la chispa antes de funcionar la máquina.





ÁREA PARA ALMACENAR LLAVES DE TUERCA

Almacene la llave ampliable (A) y la llave rectificador (B) en el sostenedor en la parte posterior de la amoladora (Fig.22).



LOCALIZACION DE FALLAS

Para obtener asistencia para su máquina, visite nuestro sitio Web en www.deltaportercable.com para tener acceso a una lista de centros de servicio o llame a la línea de ayuda de Delta Machinery al 1-800-223-7278. (En Canadá, llame al 1-800-463-3582.)

MANTENIMIENTO

MANTENGA LA MÁQUINA LIMPIA

Periódicamente sople por todas las entradas de aire con aire comprimido seco. Todas las piezas de plástico deben limpiarse con un paño suave y húmedo. NUNCA utilice solventes para limpiar las piezas de plástico. Podrían derretirse o dañar el material.

⚠ ADVERTENCIA: Utilice equipo de seguridad certificado para proteger sus ojos, oídos y vías respiratorias cuando use aire comprimido.

FALLA EN EL ENCENDIDO

Si la máquina no enciende, verifique que las patas del enchufe del cable hagan buen contacto en el tomacorriente. Además, revise que no hayan fusibles quemados o interruptores automáticos de circuito abierto en la línea.

LUBRICACIÓN Y PROTECCIÓN CONTRA ÓXIDO

Aplice semanalmente cera en pasta para pisos a la mesa de la máquina y a la extensión u otra superficie de trabajo. También puede usar productos protectores disponibles en comercios y diseñados con este propósito. Siga las instrucciones del fabricante para su uso y seguridad. Para limpiar el óxido de las mesas de hierro fundido, necesitará los siguientes materiales: 1 hoja de Almohadilla Manual para Matizado mediana Scotch-Brite™, 1 lata de WD-40® y 1 lata de desgrasador. Aplique el WD-40 y pula la superficie de la mesa con la almohadilla Scotch-Brite. Desgrase la mesa y luego aplique el producto protector como se muestra más arriba.

ACCESORIOS

Una línea completa de accesorios está disponible de su surtidor de Porter-Cable • Delta, centros de servicio de la fábrica de Porter-Cable • Delta, y estaciones autorizadas delta. Visite por favor nuestro Web site www.deltaportercable.com para un catálogo o para el nombre de su surtidor más cercano.

⚠ ADVERTENCIA: Puesto que los accesorios con excepción de éstos ofrecidos por Delta no se han probado con este producto, el uso de tales accesorios podría ser peligroso. Para la operación más segura, solamente el delta recomendó los accesorios se debe utilizar con este producto.

SERVICIO

PIEZAS DE REPUESTO

Utilice sólo piezas de repuesto idénticas. Para obtener una lista de piezas o para solicitar piezas, visite nuestro sitio web en servicenet.deltamachinery.com. También puede solicitar piezas en nuestro centro más cercano, o llamando a nuestro Centro de atención al cliente al 1-800-223-7278 para obtener asistencia personalizada de nuestros técnicos capacitados.

MANTENIMIENTO Y REPARACIONES

Con el paso del tiempo, todas las herramientas de calidad requieren mantenimiento o reemplazo de las piezas. Para obtener información acerca de Delta Machinery, sus sucursales propias o un Centro de mantenimiento con garantía autorizado, visite nuestro sitio web en www.deltaportercable.com o llame a nuestro Centro de atención al cliente al 1-800-223-7278. Todas las reparaciones realizadas por nuestros centros de mantenimiento están completamente garantizadas en relación con los materiales defectuosos y la mano de obra. No podemos otorgar garantías en relación con las reparaciones ni los intentos de reparación de otras personas.

También puede escribirnos solicitando información a Delta Machinery, 4825 Highway 45 North, Jackson, Tennessee 38305 - Mantenimiento de productos. Asegúrese de incluir toda la información mencionada en la placa de la herramienta (número de modelo, tipo, número de serie, etc.)

REEMPLAZO GRATUITO DE LAS ETIQUETAS DE ADVERTENCIA

Si las etiquetas de advertencia se tornan eligibles o se pierden, llame al 1-800-223-7278 para reemplazarlas sin costo alguno.

⚠ WARNING

TO REDUCE THE RISK OF INJURY USER MUST READ THE INSTRUCTION MANUAL BEFORE OPERATING GRINDER. USE ONLY GRINDING WHEEL SUITABLE FOR 3600 RPM OR MORE. ALWAYS USE PROPER EYE AND RESPIRATORY PROTECTION. DO NOT WEAR GLOVES, NECKTIES, JEWELRY, LOOSE CLOTHING OR LONG HAIR. MAKE SURE WHEEL IS PROPERLY MOUNTED AND NOT CRACKED OR CHIPPED. WHEEL GUARDS, EYE AND SPARK SHIELDS MUST BE PROPERLY ADJUSTED AND TIGHTENED. SPACING BETWEEN TOOL RESTS AND WHEELS SHOULD BE SET AT 1/8 INCH (3.2 MM) OR LESS. HOLD WORKPIECE FIRMLY AGAINST TOOL REST. KEEP HANDS AWAY FROM GRINDING WHEEL. UNPLUG MACHINE FROM POWER SOURCE BEFORE MAKING REPAIRS OR ADJUSTMENTS. RISK OF INJURY DUE TO ACCIDENTAL STARTING. DO NOT USE NEAR CHILDREN. DO NOT OPERATE WHILE UNDER INFLUENCE OF DRUGS, ALCOHOL OR MEDICATION. SHOCK HAZARD DO NOT EXPOSE TO RAIN OR USE IN DAMP LOCATIONS.

⚠ ADVERTENCIA

PARA REDUCIR EL RIESGO DE LESIONES, EL USUARIO DEBE LEER EL MANUAL DE INSTRUCCIONES ANTES DE OPERAR LA ESMERILADORA. USE SOLAMENTE DISCOS PARA ESMERILAR APTOS PARA 3.600 R.P.M O MÁS. SIEMPRE UTILICE PROTECCIÓN ADECUADA PARA LOS OJOS Y VÍAS RESPIRATORIAS. NO UTILICE GUANTES, CORBATAS, JOYAS, ROPA HOLGADA NI EL CABELLO LARGO SUELTO. ASEGÚRESE DE QUE EL DISCO ESTÉ DEBIDAMENTE MONTADO Y DE QUE NO PRESENTE GRIETAS NI MUESCAS. LOS DISPOSITIVOS DE SEGURIDAD DEL DISCO, LOS DISPOSITIVOS DE PROTECCIÓN PARA OJOS Y LOS DISPOSITIVOS ANTICHAISPAS DEBEN COLOCARSE Y AJUSTARSE ADECUADAMENTE. EL ESPACIO ENTRE EL PORTAHERRAMIENTAS Y LOS DISCOS SE DEBE ESTABLECER A 3,2 MM (1/8 PULG) O MENOS. SOSTENGA LA PIEZA DE TRABAJO CON FIRMEZA CONTRA EL PORTAHERRAMIENTAS. MANTENGA LAS MANOS ALEJADAS DEL DISCO PARA ESMERILAR. DESENCHUFE LA MÁQUINA DE LA FUENTE DE ALIMENTACIÓN ANTES DE REALIZAR REPARACIONES O AJUSTES. EXISTE RIESGO DE LESIONES DEBIDO A UNA ACTIVACIÓN ACCIDENTAL. NO UTILICE ESTE APARATO CERCA DE NIÑOS. NO OPERE BAJO LA INFLUENCIA DE DROGAS, ALCOHOL O MEDICACIÓN. RIESGO DE DESCARGA ELÉCTRICA. NO EXPONGA A LA LLUVIA NI UTILICE EN LUGARES HÚMEDOS.

⚠ AVERTISSEMENT

L'UTILISATEUR DOIT LIRE LE MODE D'EMPLOI AVANT D'UTILISER LA MEULEUSE AFIN DE RÉDUIRE LE RISQUE DE BLESSURE. UTILISER UNIQUEMENT DES MEULES PRÉVUES POUR 3 600 TR/MIN OU PLUS. TOUJOURS UTILISER UNE PROTECTION OCULAIRE ET RESPIRATOIRE ADEQUATE. NE PAS PORTER DE GANTS, NI CRAVATES, NI BIJOUX OU VÊTEMENTS AMPLES ET COUVRIR LES CHEVEUX LONGS. S'ASSURER QUE LA MEULE EST BIEN ASSEMBLÉE ET INTACTE (SANS FISSURES OU ÉCLATS). BIEN RÉGLER ET SERRER LES PROTÈGE-MEULE, LES VISIÈRES ET LES PARE-ÉTINCELLES. MAINTENIR UNE ESPACE DE 3,2 MM (1/8 PO) OU MOINS ENTRE LE PORTE-OUTIL ET LES MEULES. TENIR LA PIÈCE FERMEMENT APPUYÉE CONTRE LE PORTE-OUTIL. ÉLOIGNER LES MAINS DE LA MEULE. DÉBRANCHER L'APPAREIL DE LA SOURCE D'ALIMENTATION AVANT TOUTES RÉPARATIONS OU RÉGLAGES. RISQUE DE BLESSURE DES SUITES D'UN DÉMARRAGE ACCIDENTEL. NE PAS UTILISER L'APPAREIL PRÈS D'ENFANTS. NE PAS UTILISER L'APPAREIL SOUS L'EMPRISE DE DROGUES, D'ALCOOL OU DE MÉDICAMENT. RISQUE DE CHOC ÉLECTRIQUE. NE PAS L'EXPOSER À LA PLUIE ET NE PAS L'UTILISER DANS UN ENDROIT HUMIDE.

DELTA

⚠ WARNING

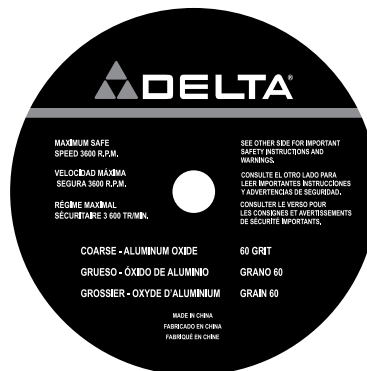
TO REDUCE THE RISK OF FIRE, USE 40-WATT OR LESS LIGHT BULB

⚠ ADVERTENCIA

PARA REDUCIR EL RIESGO DE INCENDIO, USE BOMBILLAS DE LUZ DE 40 VATIOS O MENOS

⚠ AVERTISSEMENT

POUR RÉDUIRE LE RISQUE D'INCENDIE, UTILISER UNE AMPOULE DE 40 WATTS OU MOINS



GARANTIA

Para registrar la herramienta para obtener el mantenimiento cubierto por la garantía de la herramienta, visite nuestro sitio web en www.deltaportercable.com.

Garantía limitada de dos años para productos nuevos

Delta reparará o reemplazará, a expensas y opción propias, cualquier máquina nueva, pieza de máquina nueva o accesorio de máquina nuevo Delta que durante el uso normal haya presentado defectos de fabricación o de material, siempre que el cliente devuelva el producto con el transporte prepagado a un centro de servicio de fábrica Delta o una estación de servicio autorizado Delta, con un comprobante de compra del producto, dentro del plazo de dos años y dé a Delta una oportunidad razonable de verificar el supuesto defecto mediante la realización de una inspección. Para todos los productos Delta reacondicionados, el período de garantía es de 180 días. Delta podrá requerir que los motores eléctricos sean devueltos con el transporte prepagado a una estación autorizada de un fabricante de motores para ser sometidos a inspección y reparación o para ser reemplazados. Delta no será responsable de ningún defecto alegado que haya resultado del desgaste normal, uso indebido, abuso o reparación o alteración realizada o autorizada específicamente por alguien que no sea un centro de servicio autorizado Delta o un representante autorizado Delta. Delta no será responsable en ninguna circunstancia de los daños incidentales o emergentes que se produzcan como resultado de productos defectuosos. Esta garantía es la única garantía de Delta y establece el recurso exclusivo del cliente en lo que respecta a los productos defectuosos; Delta rechaza expresamente todas las demás garantías, expresas o implícitas, tanto de comerciabilidad como de idoneidad para un propósito o de cualquier otro tipo.

AMÉRICA LATINA: Esta garantía no se aplica a los productos que se venden en América Latina. Para los productos que se venden en América Latina, debe consultar la información de la garantía específica del país que viene en el empaque, llamar a la compañía local o visitar el sitio Web a fin de obtener esa información.

PÓLIZA DE GARANTÍA

IDENTIFICACIÓN DEL PRODUCTO:

Sello o firma del Distribuidor.Nombre del producto: _____ Mod./Cat.: _____ Marca: _____
Núm. de serie: _____ (Datos para ser llenados por el distribuidor)Fecha de compra y/o
entrega del producto: _____ Nombre y domicilio del distribuidor donde se adquirió el producto: _____
Este producto está garantizado por un año a partir de

la fecha de entrega, contra cualquier defecto en su funcionamiento, así como en materiales y mano de obra empleados para su fabricación. Nuestra garantía incluye la reparación o reposición del producto y/o componentes sincargo alguno para el cliente, incluyendo mano de obra, así como los gastos de transportaciónrazonablemente erogados derivados del cumplimiento de este certificado.Para hacer efectiva esta garantía deberá presentar su herramienta y esta póliza sellada por elestablecimiento comercial donde se adquirió el producto, de no contar con ésta, bastará la fac-tura de compra.

EXCEPCIONES

Esta garantía no será válida en los siguientes casos:

- Cuando el producto se hubiese utilizado en condiciones distintas a las normales;
- Cuando el producto no hubiese sido operado de acuerdo con el instructivo de uso que seacompaña;
- Cuando el producto hubiese sido alterado o reparado por personas distintas a las enlis-tadas al final de este certificado.

Anexo encontrará una relación de sucursales de servicio de fábrica, centros de servicio autor-izados y franquiciados en la República Mexicana, donde podrá hacer efectiva su garantía yadquirir partes, refacciones y accesorios originales.

Especificaciones

MODEL GR450

Tensión de alimentación: 120 V AC~
Consumo de corriente: 5 A
Frecuencia de operación: 60 Hz
Rotación sin carga: 1 725 - 3 450 rpm

Para servicio y ventas consulte
"HERRAMIENTAS ELÉCTRICAS"
en la sección amarilla.



PARA REPARACIÓN Y SERVICIO DE SUS HERRAMIENTAS ELÉCTRICAS, FAVOR DE DIRIGIRSE AL CENTRO DE SERVICIO MÁS CERCANO

CULIACAN, SIN
Av. Nicolás Bravo #1063 Sur-Col. Industrial Bravo (667) 7 12 42 11

GUADALAJARA, JAL
Av. La Paz #1779 - Col. Americana Sector Juárez (33) 3825 6978

MEXICO, D.F.
Eje Central Lázaro Cárdenas No. 18
Local D, Col. Obrera (55) 5588 9377

MERIDA, YUC
Calle 63 #459-A - Col. Centro (999) 928 5038

MONTERREY, N.L.
Av. Francisco I. Madero No.831 - Col. Centro (81) 8375 2313

PUEBLA, PUE
17 Norte #205 - Col. Centro (222) 246 3714

QUERETARO, QRO
Av. Madero 139 Pte. - Col. Centro (442) 214 1660

SAN LUIS POTOSI, SLP
Av. Universidad 1525 - Col. San Luis (444) 814 2383

TORREON, COAH
Blvd. Independencia, 96 Pte. - Col. Centro (871) 716 5265

VERACRUZ, VER
Prolongación Díaz Mirón #4280 - Col. Remes (229) 921 7016

VILLAHERMOSA, TAB
Constitución 516-A - Col. Centro (993) 312 5111

PARA OTRAS LOCALIDADES LLAME AL: (55) 5326 7100

The following are trademarks for one or more Porter-Cable and Delta products: •Les marques suivantes sont des marques de commerce se rapportant à un ou plusieurs produits Porter-Cable ou Delta : •Las siguientes son marcas comerciales para uno o más productos de Porter-Cable y Delta:

2 BY 4[®], 890[™], Air America[®], AIRBOSS[™], Auto-Set[®], B.O.S.S.[®], Bammer[®], Biesemeyer[®], Builders Saw[®], Charge Air[®], Charge Air Pro[®], CONTRACTOR SUPERDUTY[®], Contractor's Saw[®], Delta[®], DELTA[®], Delta Industrial[®], DELTA MACHINERY & DESIGN[™], Delta Shopmaster and Design[®], Delta X5[®], Deltacraft[®], DELTAGRAM[®], Do It. Feel It.[®], DUAL LASERLOC AND DESIGN[®], EASY AIR[®], EASY AIR TO GO[™], ENDURADIAMOND[®], Ex-Cell[®], Front Bevel Lock[®], Get Yours While the Sun Shines[®], Grip to Fit[®], GRIPVAC[™], GTF[®], HICKORY WOODWORKING[®], Homecraft[®], HP FRAMER HIGH PRESSURE[®], IMPACT SERIES[™], Innovation That Works[®], Jet-Lock[®], Job Boss[®], Kickstand[®], LASERLOC[®], LONG-LASTING WORK LIFE[®], MAX FORCE[™], MAX LIFE[®], Micro-Set[®], Midi-Lathe[®], Monsoon[®], MONSTER-CARBIDE[™], Network[®], OLDHAM[®], Omnijig[®], PC EDGE[®], Performance Crew[™], Performance Gear[®], Pocket Cutter[®], Porta-Band[®], Porta-Plane[®], Porter Cable[®], Porter-Cable Professional Power Tools[®], Powerback[®], POZI-STOP[™], Pressure Wave[®], PRO 4000[®], Proair[®], Quicksand and Design[®], Quickset II[®], QUIET DRIVE TECHNOLOGY[™], QUIET DRIVE TECHNOLOGY AND DESIGN[™], Quik-Change[®], QUIK-TILT[®], RAPID-RELEASE[™], RAZOR[®], Redefining Performance[®], Riptide[®], Safe Guard II[®], Sand Trap and Design[®], Sanding Center[®], Saw Boss[®], Shop Boss[®], Sidekick[®], Site Boss[®], Speed-Bloc[®], Speedmatic[®], Stair Ease[®], Steel Driver Series[®], SUPERDUTY[®], T4 & DESIGN[®], THE AMERICAN WOODSHOP[®], THE PROFESSIONAL EDGE[®], Thin-Line[®], Tiger Saw[®], TIGERCLAW[®], TIGERCLAW AND DESIGN[®], Torq-Buster[®], TRU-MATCH[®], T-Square[®], Twinlaser[®], Unifence[®], Uniguard[®], UNIRIP[®], UNISAW[®], UNITED STATES SAW[®], Veri-Set[®], Versa-Feeder[®], VIPER[®], VT[™], VT RAZOR[™], Water Driver[®], WATER VROOM[®], Waveform[®], Whisper Series[®], X5[®], YOUR ACHIEVEMENT. OUR TOOLS.[®]

Trademarks noted with ® are registered in the United States Patent and Trademark Office and may also be registered in other countries. Other trademarks may apply. •Les marques de commerce suivies du symbole ® sont enregistrées auprès du United States Patent and Trademark Office et peuvent être enregistrées dans d'autres pays. D'autres marques de commerce peuvent également être applicables. •Las marcas comerciales con el símbolo ® están registradas en la Oficina de patentes y marcas comerciales de Estados Unidos (United States Patent and Trademark Office), y también pueden estar registradas en otros países. Posiblemente se apliquen otras marcas comerciales registradas.



Delta Machinery, 4825 Highway 45 North, Jackson, TN 38305

(800) 223-7278 - U.S. • (800) 463-3582 - CANADA

www.deltaportercable.com

Copyright © 2007 Delta Machinery • A24921 - 10-26-07

Free Manuals Download Website

<http://myh66.com>

<http://usermanuals.us>

<http://www.somanuals.com>

<http://www.4manuals.cc>

<http://www.manual-lib.com>

<http://www.404manual.com>

<http://www.luxmanual.com>

<http://aubethermostatmanual.com>

Golf course search by state

<http://golfingnear.com>

Email search by domain

<http://emailbydomain.com>

Auto manuals search

<http://auto.somanuals.com>

TV manuals search

<http://tv.somanuals.com>