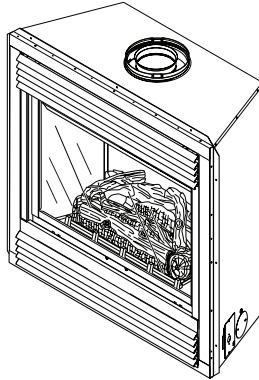


FIREPLACES AND FIREPLACE ACCESSORIES

VEXAR®

by  STYLECREST.

DIRECT-VENT FIREPLACE OWNER'S OPERATION AND INSTALLATION MANUAL



We recommend that our products be installed and serviced by professionals who are certified in the U.S. by NFI (National Fireplace Institute).
www.nficertified.org

NATURAL OR PROPANE/LP GAS MODEL CD36TN-M

WARNING: If the information in this manual is not followed exactly, a fire or explosion may result causing property damage, personal injury or loss of life.

- Do not store or use gasoline or other flammable vapors and liquids in the vicinity of this or any other appliance.
- **WHAT TO DO IF YOU SMELL GAS**
 - Do not try to light any appliance.
 - Do not touch any electrical switch; do not use any phone in your building.
 - Immediately call your gas supplier from a neighbor's phone. Follow the gas supplier's instructions.
 - If you cannot reach your gas supplier, call the fire department.
- Installation and service must be performed by a qualified installer, service agency or the gas supplier.

Save this manual for future reference.
For more information, visit www.desatech.com

Download from www.Somanuals.com. All Manuals Search And Download.

WARNING: Improper installation, adjustment, alteration, service or maintenance can cause injury or property damage. Refer to this manual for correct installation and operational procedures. For assistance or additional information consult a qualified installer, service agency or the gas supplier.

This fireplace may be installed as an OEM installation in a manufactured (mobile) home and must be installed in accordance with the manufacturer's instructions and the Manufactured Home Construction and Safety Standard, Title 24 CFR, Part 3280 in the United States or the Mobile Home Standard, CAN/CSA Z240 MH Series, in Canada. This fireplace is only for use with the type(s) of gas indicated on the rating plate. A conversion kit is supplied with the fireplace.

This fireplace is manufactured for Stylecrest Inc. under the Vexar brand name by DESA.

TABLE OF CONTENTS

Safety Information	3	Conversion Instructions	31
Product Identification	4	Cleaning and Maintenance.....	33
Local Codes.....	5	Troubleshooting	35
Product Features	5	Specifications	38
Pre-Installation Preparation	5	Replacement Parts	38
Location of Termination Cap.....	9	Service Hints	39
Venting Installation Instructions	10	Technical Service.....	39
Fireplace Installation.....	18	Accessories	39
Operating Fireplace	28	Illustrated Parts Breakdown and Parts List.....	40
Inspecting Burners.....	31	Warranty Information	Back Cover

SAFETY INFORMATION

⚠ WARNING: This product contains and/or generates chemicals known to the State of California to cause cancer or birth defects or other reproductive harm.

IMPORTANT: Read this owner's manual carefully and completely before trying to assemble, operate or service this fireplace. Improper use of this fireplace can cause serious injury or death from burns, fire, explosion, electrical shock and carbon monoxide poisoning.

⚠ DANGER: Carbon monoxide poisoning may lead to death!

This fireplace must be installed by the O.E.M. builder or by a qualified (certified or licensed) service person. It has a sealed gas combustion chamber that uses a coaxial pipe (pipe within a pipe and having the same center) venting system. It brings in fresh air for combustion through the outer pipe and combustion gases are exhausted through the inner pipe. If the glass door assembly and venting pipe are not properly seated, connected and sealed, carbon monoxide leakage (spillage) can occur.

Carbon Monoxide Poisoning: Early signs of carbon monoxide poisoning resemble the flu, with headaches, dizziness or nausea. If you have these signs, the fireplace may not be working properly. **Get fresh air at once!** Have fireplace serviced. Some people are more affected by carbon monoxide than others. These include pregnant women, people with heart or lung disease or anemia, those under the influence of alcohol and those at high altitudes.

Propane/LP & Natural Gas: Propane/LP and natural gas are odorless. An odor-making agent is added to the gas. The odor helps you detect a gas leak. However, the odor added to the gas can fade. Gas may be present even though no odor exists. Make certain you read and understand all warnings. Keep this manual for reference. It is your guide to safe and proper operation of this fireplace.

⚠ WARNING: Any change to this fireplace or its controls can be dangerous. Do not modify this fireplace under any circumstances. Any parts removed for servicing must be replaced prior to operating fireplace.

⚠ WARNING: Do not use a blower insert, heat exchanger insert or other accessory not approved for use with this fireplace.

⚠ WARNING: This appliance is only for use with the type of gas indicated on the rating plate. This appliance is not convertible for use with other gases unless a certified kit is used.

⚠ WARNING: Do not allow fans to blow directly into the fireplace. Avoid any drafts that alter burner flame patterns.

Due to high temperatures, the appliance should be located out of traffic and away from furniture and draperies.

Do not place clothing or other flammable material on or near the appliance. Never place any objects on the appliance.

Do not use this fireplace to cook food or burn paper or other flammable material.

This fireplace reaches high temperatures. Keep children and adults away from hot surface to avoid burns or clothing ignition. Fireplace will remain hot for a time after shutdown. Allow surface to cool before touching.

SAFETY INFORMATION

Continued

Carefully supervise young children when they are in the room with fireplace.

Keep the area around your fireplace clear of combustible materials, gasoline and other flammable vapor or liquids. Do not run fireplace where these are used or stored.

- For propane/LP fireplace, do not place propane/LP supply tank(s) inside any structure. Locate propane/LP supply tank(s) outdoors. To prevent performance problems, do not use propane/LP fuel tank of less than 100 lbs. capacity.
- If you smell gas
 - shut off gas supply
 - do not try to light any appliance
 - do not touch any electrical switch; do not use any phone in your building
 - immediately call your gas supplier from a neighbor's phone. Follow the gas supplier's instructions
 - if you cannot reach your gas supplier, call the fire department.
- Never install the fireplace
 - in a recreational vehicle
 - in windy or drafty areas where curtains or other combustible (flammable) objects can make contact with the fireplace front
 - in high traffic areas
- Turn fireplace off and let cool before servicing, installing or repairing. Only a qualified service person should install, service or repair this fireplace. Have fireplace inspected annually by a qualified service person.
- You must keep control compartments, burners and circulating air passages clean. More frequent cleaning may be needed due to excessive lint and dust from carpeting, bedding material, etc. Turn off the gas valve and pilot light before cleaning fireplace.
- Have venting system inspected annually by a qualified service person. If needed, have venting system cleaned or repaired. See *Cleaning and Maintenance*, page 33.

- Do not use any solid fuels (wood, coal, paper, cardboard, etc.) in this fireplace. Use only the gas type indicated on fireplace nameplate.
- This appliance, when installed, must be electrically grounded in accordance with local codes or, in the absence of local codes, with the *National Electrical Code, ANSI/NFPA 70* or the *Canadian Electrical Code, CSA C22.1*.
- Do not use fireplace if any part has been exposed to or under water. Immediately call a qualified service person to arrange for replacement of the unit.
- Do not operate fireplace if any log is broken.
- Do not operate fireplace with glass door removed, cracked or broken.
- Provide adequate clearances around air openings.

PRODUCT IDENTIFICATION

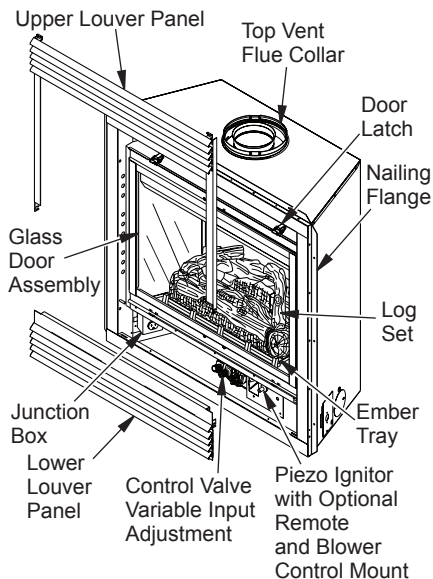


Figure 1 - Direct-Vent Fireplace

LOCAL CODES

Install and use fireplace with care. Follow all local codes. In the absence of local codes, use the current *National Fuel Gas Code ANSI Z223.1/NFPA 54** (USA) or the current *CSA-B149.1 Installation Code* (Canada).

*Available from:

American National Standards Institute, Inc.
1430 Broadway
New York, NY 10018

National Fire Protection Association, Inc.
Batterymarch Park
Quincy, MA 02269

PRODUCT FEATURES

These are a few facts that can help you understand and enjoy your direct-vent fireplace:

- The dedicated top vent for this fireplace is suited for any application where height is necessary to terminate the venting system either through the roof (vertical) or to gain sufficient height and offset to vent to an outside/exterior wall (horizontal).
- The vent pipe installation is very important to allow for proper operation. You must select the appropriate vent kits and components for your application and follow the venting instructions to plan your installation.
- This fireplace may be installed in any room provided that all rules of the housing authority and these installation instructions are followed.
- This fireplace is equipped with a millivolt gas control system that does not require electricity to operate. A piezo ignitor is provided to light the pilot without using matches or lighters.
- This model can accept an optional circulating air blower when 120 VAC connection is supplied. If you plan to install an optional blower, do not forget to wire the fireplace outlet when framing.
- Each time you turn on your fireplace, you may notice some amount of condensation on the inside of the fireplace glass. This is normal and will disappear after 10-20 minutes of operation.
- Your direct-vent gas fireplace system (fireplace and venting) is a balanced and sealed gas operating unit. It is highly efficient because it uses outside air for combustion while independently heating the indoor air.

PRE-INSTALLATION PREPARATION

LOCATION AND SPACE REQUIREMENTS

Determine the safest and most efficient location for your DESA/Vexar direct-vent fireplace. Make sure that rafters and wall studs are not in the way of the venting system. Choose a location where the heat output is not affected by drafts, air conditioning ducts, windows or doors. Figure 2 shows some common locations. Be aware of all restrictions and precautions before deciding the exact location for your fireplace and termination cap.

When deciding the location of your fireplace, follow these rules:

- Do not connect this fireplace venting to a chimney flue serving a separate solid fuel burning fireplace or appliance.
- Due to high temperatures, do not locate this fireplace in high traffic areas, windy or drafty areas or near furniture or draperies.
- Proper clearances must be maintained.
- If your fireplace is to be installed directly on carpeting, vinyl tile or any combustible material other than wood, it must be installed on a metal or wood panel extending the full width and depth of the fireplace. See Figure 3, page 6.
- Your fireplace is designed to be used in zero clearance installations. Wall or framing material can be placed directly against any exterior surface on the back, sides or top of your fireplace, except where standoff spacers are integrally attached. If standoff spacers are attached to your fireplace, these spacers can be placed directly against wall or framing material. See framing details on page 6.
- If you plan on installing a television or entertainment center recessed above your fireplace, it is recommended that you maintain a minimum 18" above top of louver opening.

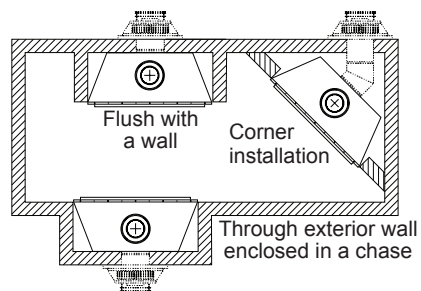


Figure 2 - Common Fireplace Locations

PRE-INSTALLATION PREPARATION

Continued

- When locating termination cap, it is important to observe the minimum clearances shown in Figure 7, page 8.
- If recessing into a wall, you can avoid extra framing by positioning your fireplace against an already existing framing member.
- Do not recess termination cap into a wall or siding.
- You may paint the termination cap with 450°F (232°C) heat-resistant paint to coordinate with the exterior finish.
- There must not be any obstruction such as bushes, garden sheds, fences, decks or utility buildings within 24" from the front of the termination cap.
- Do not locate termination cap where excessive snow or ice build up may occur. Be sure to clear vent termination area after snow falls to prevent accidental blockage of venting system. When using snow blowers, do not direct snow towards vent termination area.

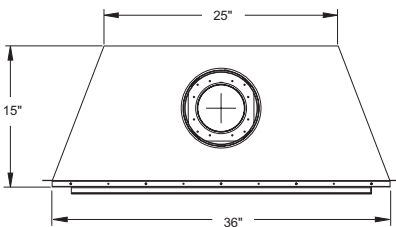


Figure 3 - Fireplace Bottom Dimensions

PACKAGING AND REMOVAL

This direct-vent gas fireplace heater is packaged with:

- one box containing a 4 piece log set located on the burner in the firebox.
- one bag containing the owner's manual with installation instructions, operator's guide, and warranty information.
- one bag of glowing ember material.
- one bag of vermiculite hearth treatments.

Remove the shrink-wrap securing the 2 carton trays to the unit. Lift the top carton tray off and remove the 4 corner posts. Discard the bottom tray once the unit is moved into position.

CLEARANCES

Minimum clearances to combustibles for the fireplace are as follows:

Back and sides*	0"
Perpendicular walls	12"
Floor	0"
Ceiling to louver opening	40"
Front	36"
Top of Standoffs	0"
Vent Surfaces	1" (See venting instructions for specific vent clearances.)
Mantel Clearances	(See <i>Mantel Clearances</i> , page 8 for specifics on mantel clearances.)

*Combustible material with a maximum thickness of 5/8" may be flush with the top front of fireplace.

NOTICE: This fireplace is intended for use as supplemental heat. Use this fireplace along with your primary heating system. Do not install this fireplace as your primary heat source. If you have a central heating system, you may run system's circulating blower while using fireplace. This will help circulate the heat throughout the house. In the event of a power outage, you can use this fireplace as a heat source.

FRAMING AND FINISHING

Figure 4, page 7, shows typical framing of this fireplace. Figure 5, page 7, shows framing for corner installation. All minimum clearances must be met.

For overall unit dimensions, framing allowances and vent collar locations, see Figure 6, page 7.

For available accessories for this fireplace, see *Accessories* on page 39. If you are using a separate combustible mantel piece, refer to Figures 7 and 8, page 8 for proper height and clearances. You can install noncombustible mantels at any height above the fireplace.

Note: Noncombustible mantels may discolor!

PRE-INSTALLATION PREPARATION

Continued

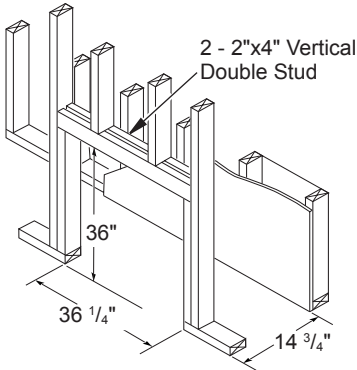
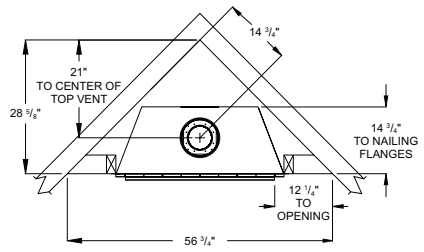


Figure 4 - Framing Clearances for Installation Against an Exterior Wall



These dimensions allow for 1" of clearance at the sides and back of fireplace. 0" clearance is also permitted at all sides if framed.

Figure 5 - Framing Clearances for Corner Installation

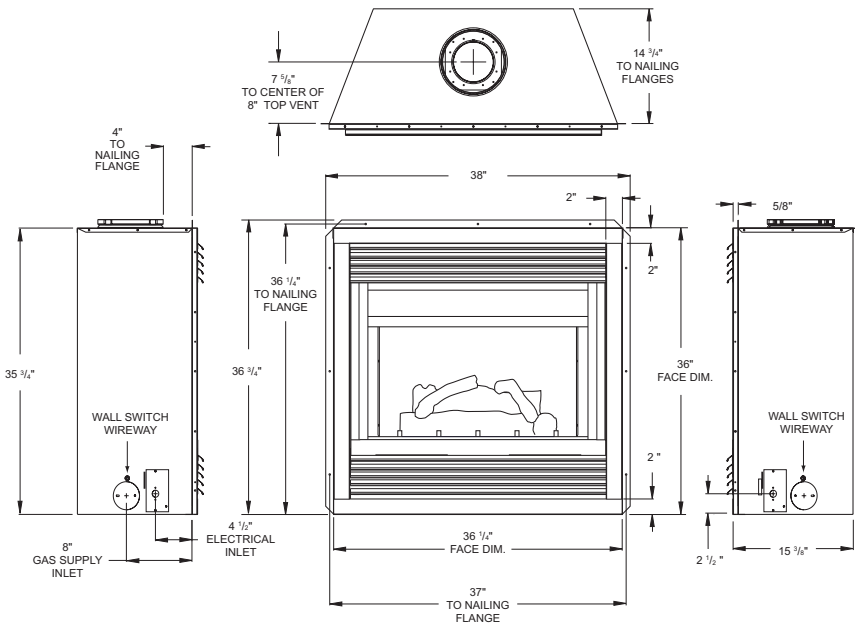


Figure 6 - Unit Dimensions

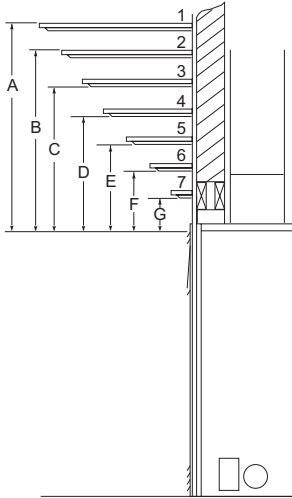
PRE-INSTALLATION PREPARATION

Continued

MANTEL CLEARANCES

Figure 7 shows projected mantel depths at various heights above the top of the louver opening. Figure 8 shows the minimum allowable distances from various mantel components in relation to the both sides of the fireplace opening.

⚠ WARNING: When finishing appliance, do not overlap combustible materials onto the black front face. Brick, tile, or other non-combustible materials may be applied to the face provided that any fireplace openings are not blocked and gaps in the material used and the face are sealed with a noncombustible caulking.



Ref.	Mantel Depth	Ref.	Mantel from Top of Louver Opening
1	16"	A	14"
2	14"	A	12"
3	12"	B	10"
4	10"	C	8"
5	8"	D	6"
6	4"	F	4"
7	2"	G	2"

Figure 7 - Clearances for Combustible Mantels

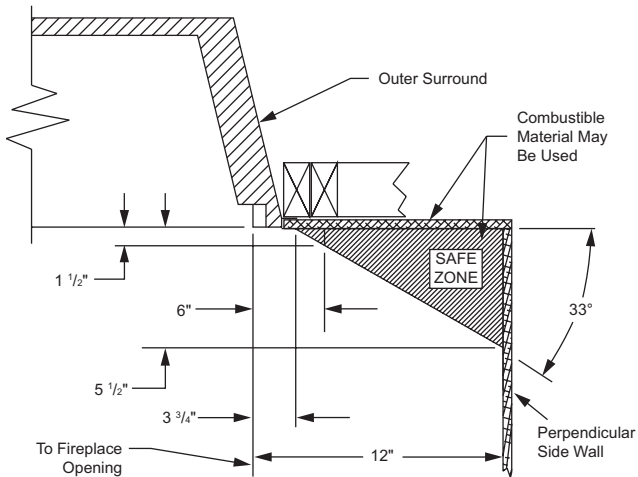
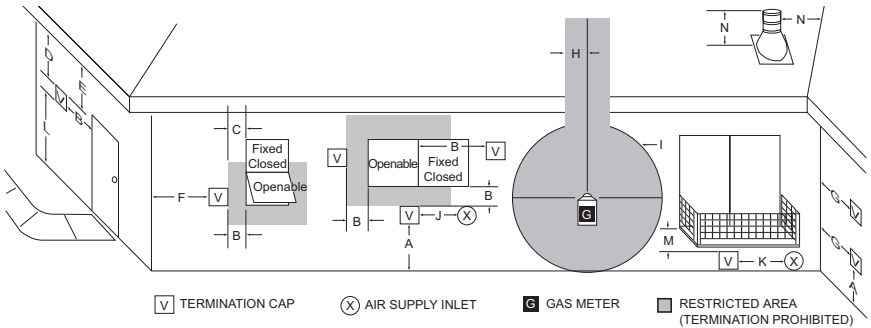


Figure 8 - Side Clearances for Combustible Materials

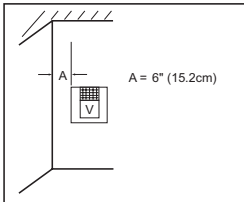
LOCATION OF TERMINATION CAP



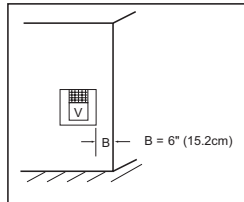
- A** = clearance above grade, veranda, porch, deck, or balcony [†12 inches (30.5cm) minimum]
B = clearance to window or door that may be opened [12 inches (30.5cm) minimum]
C = clearance to permanently closed window [minimum 12 inches (30.5cm) recommended to prevent condensation on window]
D = vertical clearance to ventilated soffit located above the terminal within a horizontal distance of 24 inches (61cm) from the center-line of the terminal [18 inches (45.7cm) minimum]
E = clearance to unventilated soffit [12 inches (30.5cm) minimum]
F = clearance to outside corner (see below)
G = clearance to inside corner (see below)
H = *not to be installed above a meter/regulator assembly within 36 inches (91.4cm) horizontally from the center-line of the regulator
I = clearance to service regulator vent outlet [†72 inches (182.9cm) minimum]
J = clearance to non-mechanical air supply inlet to building or the combustion air inlet to any other fireplace [†12 inches (30.5cm) minimum]
K = clearance to a mechanical air supply inlet [†72 inches (182.9cm) minimum]
L = † clearance above paved side-walk or a paved driveway located on public property [†84 inches (213.3cm) minimum]
M = clearance under veranda, porch, deck [†12 inches (30.5cm) minimum ‡]
N = clearance above a roof shall extend a minimum of 24 inches (61cm) above the highest point when it passes through the roof surface and any other obstruction within a horizontal distance of 18 inches (45.7cm)
- † vent shall not terminate directly above a side-walk or paved driveway which is located between two single family dwellings and serves both dwellings*
 ‡ only permitted if veranda, porch, deck or balcony is fully open on a minimum of 2 sides beneath the floor*
 * as specified in CAN/CSA B149 (.1 or .2) Installation Codes (1991) for Canada and U.S.A.
 † Note: Local codes or regulations may require different clearances

Termination Clearances for Buildings with Combustible and Noncombustible Exteriors

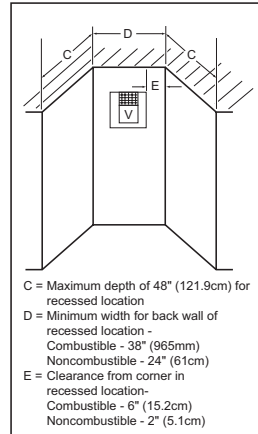
Inside Corner



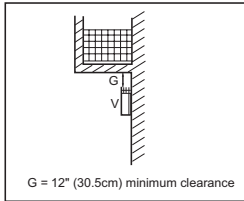
Outside Corner



Recessed Location



Balcony with No Side Wall



Balcony with Perpendicular Side Wall

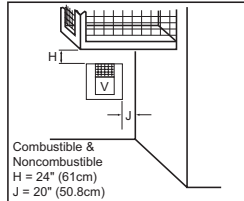


Figure 9 - Minimum Clearances for Termination Cap

VENTING INSTALLATION INSTRUCTIONS

NOTICE: Read these instructions completely before attempting installation.

These models are tested and approved for use with DESA/Vexar (direct-vent) pipe components and terminations.

The venting system must terminate on the outside of the structure and can not be attached to a chimney or flue system serving a separate solid fuel or gas burning appliance. A direct-vent appliance must have its own venting system. DO NOT common vent this appliance.

This model is approved to be vented either horizontally through an outside wall or vertically through a roof or chase enclosure using the following:

- When venting system terminates horizontally on an outside wall, you may install a standoff if the termination cap is to be installed directly on a combustible finish such as vinyl, wood, stucco, etc.
- Never run the vent downward as this may cause excessive temperatures which could cause a fire.
- Vent pipe air space clearances to combustibles are 1" on all sides except on the horizontal sections, which requires 2" clearance from the top of the pipe. Where the termination cap penetrates a combustible wall, 1" air space clearance is required.
- Have fireplace and selected vent components on hand to help determine the exact measurements when elbowing or offsetting. Always use wall firestops when penetrating walls, ceilings or attic spaces.
- Install horizontal venting with a 1/4" rise for every 12" of run toward the termination.

⚠ WARNING: Read all instructions completely and thoroughly before attempting installation. Failure to do so could result in serious injury, property damage or loss of life.

IMPORTANT: Do not seal vent cap to pipe. Cap must be removable for servicing.

NOTICE: Failure to follow these instructions will void the warranty.

NOTICE: Do not seal termination cap to vent pipe. Cap must be removable for vent inspection and maintenance.

INSTALLATION PRECAUTIONS

- Wear gloves and safety glasses for protection
- Use extreme caution when using ladders or when on roof tops
- Be aware of electrical wiring locations in walls and ceilings

The following actions will void the warranty on your venting system:

- Installation of any damaged venting component
- Unauthorized modification of the venting system (Do not cut or alter vent components)
- Installation of any component part not manufactured or approved by DESA/Vexar
- Installation other than as instructed by these instructions

⚠ WARNING: This gas fireplace and vent assembly must be vented directly to the outside. The venting system must NEVER be attached to a chimney serving a separate solid fuel burning appliance. Each direct-vent gas appliance must use a separate vent system. Do not use common vent systems.

⚠ WARNING: Vent pipe air space clearances to combustibles are 1" on all sides except on the horizontal sections, which require 2" clearances from the top of the pipe. Where the termination cap penetrates a combustible wall, 1" air space clearance is required.

VENTING INSTALLATION INSTRUCTIONS

Continued

INSTALLATION PLANNING

There are two starter vent kits available for either a horizontal or a vertical installation:

- CHVK-58 Corner Horizontal Vent Kit - Intended for corner or flush installations with less than 24" of horizontal distance to the termination.
- CVVK-58 - Ceiling Vertical Vent Kit - Intended for a straight vertical installation through a ceiling with less than 9' to a roof termination.

Horizontal Termination Installation

IMPORTANT: Horizontal square terminations require only inner portion of wall firestop.

1. Set the fireplace in its desired location and determine the route your horizontal venting will take. Do not secure the fireplace until all venting has been installed. Some installations require sliding the fireplace in and out of position to make final venting connections. Figures 14 through 18 on pages 13 and 14 show different configurations for venting with horizontal termination that will help you decide which application best suits your installation. Check to see if wall studs or roof rafters are in the path of your desired venting route. If they are, you may want to adjust the location of the fireplace.
2. Direct vent pipe sections and components are designed with special twist-lock connections.
Twist-Lock Procedure: The female ends of the pipes have locking lugs (indentations). These lugs will slide straight into matching slots on the male ends of adjacent pipes. Push pipe sections together and twist one section clockwise approximately one-quarter turn until the sections are fully locked (see Figure 10). **Note:** Horizontal runs of vent must be supported every three feet. Use wall straps for this purpose.
3. Any straight pipe section, a 45° or 90° elbow can be used when first connecting the venting system to the fireplace. Elbows are designed to twist-lock into any of four 90° positions to direct the venting system to the desired location. **IMPORTANT:** Do not attempt to alter the configuration of the elbow by cutting, twisting, bending, etc.
4. Assemble the desired combination of pipe and elbows to the fireplace flue collar. If there are long portions of venting run, pre-assembled pipe sections may be installed as subassemblies for convenience.

5. Carefully determine the location where the vent pipe assembly will penetrate the outside wall. The center of the hole should line up with the center-line of the horizontal vent pipe. Mark the wall for a 10 3/4" x 10 3/4" square hole. Cut and frame the square hole in the exterior wall where the vent will be terminated (see Figure 11).

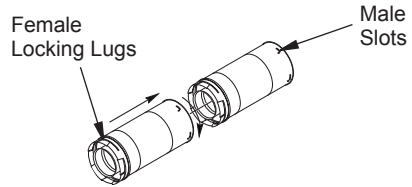


Figure 10 - Vent Pipe Connections

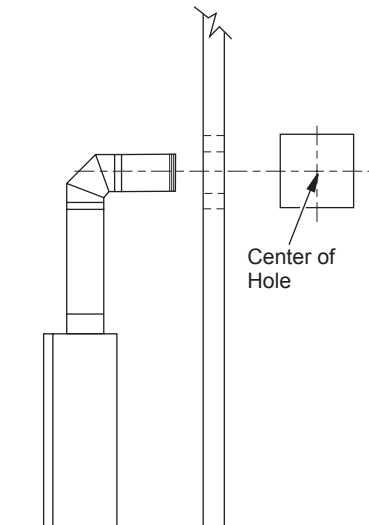
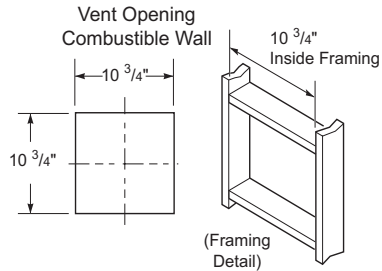


Figure 11 - Vent Opening Requirements

VENTING INSTALLATION INSTRUCTIONS

Continued

⚠ WARNING: Do not recess vent termination into any wall. This will cause a fire hazard.

- 6. Combustible Exterior Wall:** For vinyl siding, stucco or wood exteriors, a siding standoff may be installed between the vent cap and exterior wall. The siding standoff prevents excessive heat from damaging the siding materials. Siding material must be cut to accommodate standoff. Bolt the vent cap to the standoff. Apply nonhardening mastic around outside edge of standoff. Position the standoff/cap assembly in the center of the 10³/₄" square hole and attach to exterior wall with wood screws provided (see Figure 12). The siding standoff must sit flush against the exterior fascia material.
- 7. Combustible Exterior Wall Only:** Fit the outer and inner wall firestop into wall before connecting horizontal run to vent cap (see Figure 13).
- 8.** Carefully move fireplace, with vent assembly attached, toward wall and insert vent pipe into horizontal termination. The pipe overlap should be a minimum of 1¹/₄".
- 9.** Place fireplace into position and shim with noncombustible material, if needed. Nail or screw side flanges to framing to secure unit in place. **IMPORTANT:** Make sure fireplace is level before securing. If fireplace is not level it will not work properly.

NOTICE: Do not seal termination cap to vent pipe. Cap must be removable for vent inspection and maintenance.

⚠ WARNING: Never run vent downward as this may cause excessive temperatures which could cause a fire. Operation of improperly installed and maintained venting system could result in serious injury, property damage or loss of life.

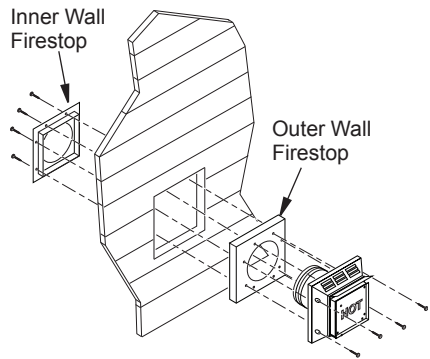


Figure 13 - Installing Outer Wall Firestop (Combustible Exterior Wall)

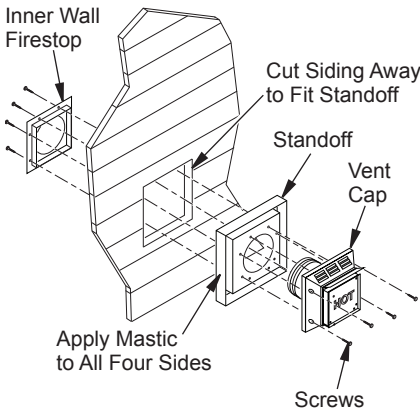


Figure 12 - Installing Siding Standoff (Combustible Exterior Wall)

VENTING INSTALLATION INSTRUCTIONS

Continued

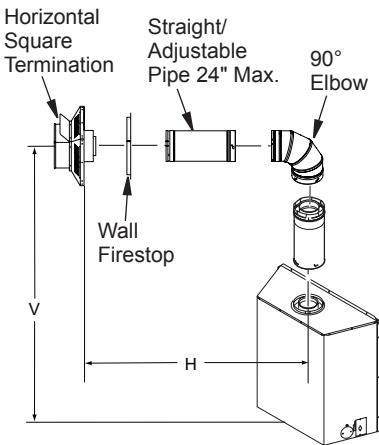
Horizontal Termination Configurations

Figures 14 through 18 show different configurations and alternatives for venting with horizontal termination. Each figure includes a chart with critical minimum and maximum dimensions which **MUST** be met. **IMPORTANT:** Remember that a horizontal run of venting must have a 1/4" rise for every 12" of run toward the termination.

GROUND FLOOR INSTALLATION

Recommended CHVK-58 Corner Horizontal Vent Kit:

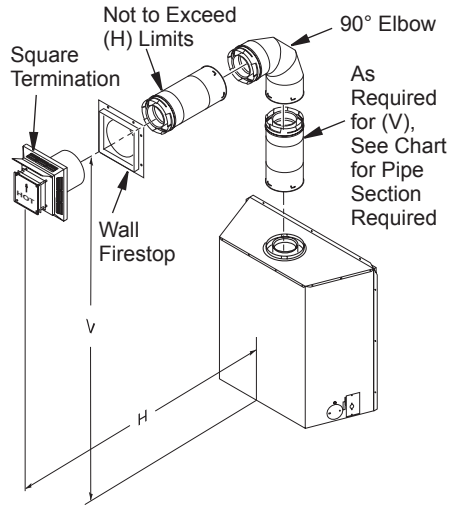
- Installation using cabinet surrounds
- Through the wall using square termination (up to 24" horizontal pipe)
- Corner installation (Using one 6" vertical section, one 90° elbow and a maximum of 24" of horizontal pipe)



Corner Installation

Vertical (V) Horizontal (H)
51" Min. 32 1/2" Max

Figure 14 - Horizontal Termination Configuration For Corner Installation Using One 90° Elbow



Required Vertical (V)	Vertical (V) Vertical Pipe	Allowable Horizontal (H)
51"	6"	26" Max.
57 1/4" Min.	1'	30" Max.
69 1/4" Min.	2'	74" Max.
81 1/2" Min.	3'	98" Max.
94" Min.	4'	122" Max.
106" Min.	5'	146" Max.
159" Min.	9'	20' Max.

Figure 15 - Horizontal Termination Configuration with Vertical Rise and One 90° Elbow

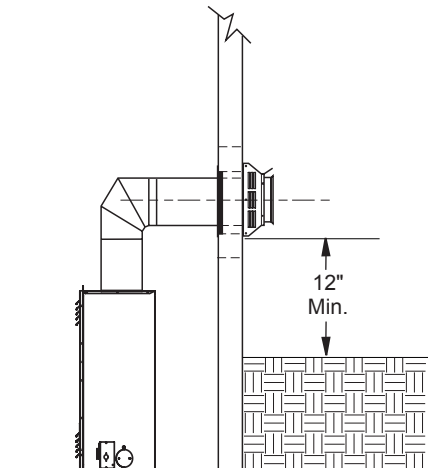


Figure 16 - Square Termination Clearance at Ground Floor Installation

VENTING INSTALLATION INSTRUCTIONS

Continued

HORIZONTAL VENT INSTALLATIONS USING MULTIPLE 90° ELBOWS

The following configurations show the minimum vertical rise requirements for a horizontal system using two 90° elbows.

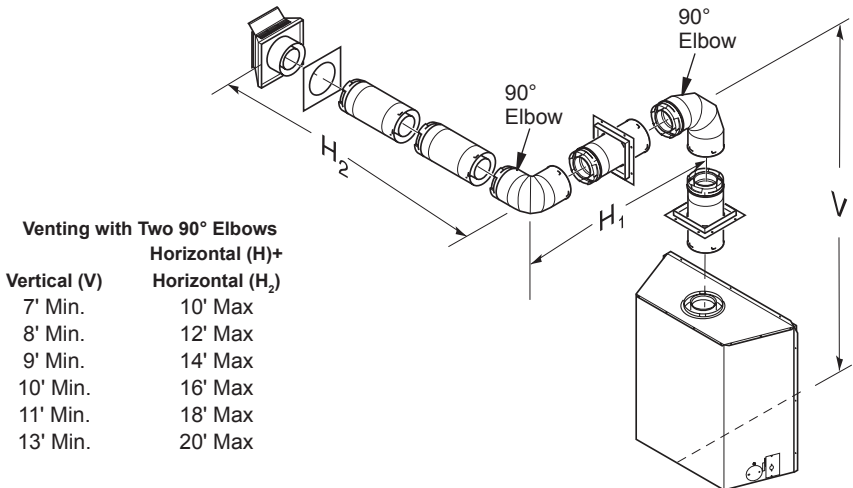


Figure 17 - Horizontal Termination Configuration For Venting Using Two 90° Elbows

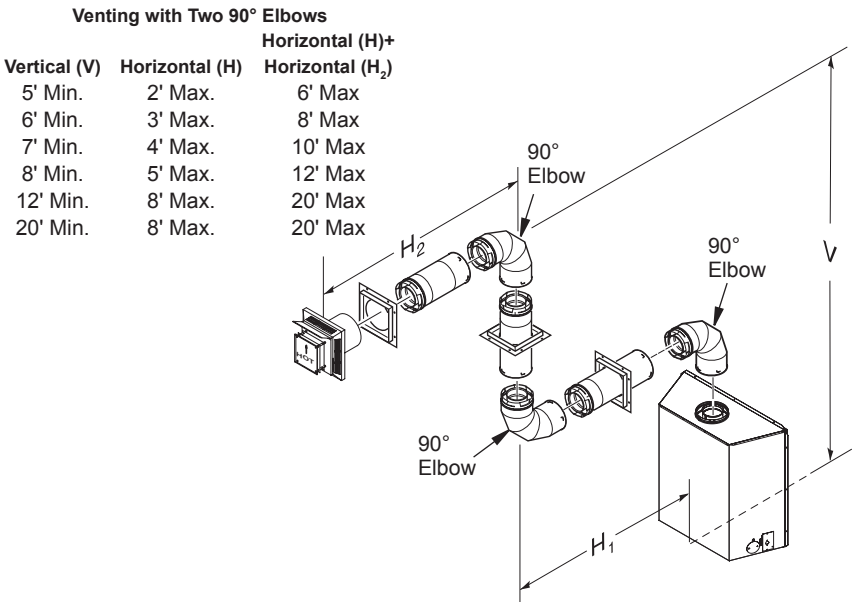


Figure 18 - Horizontal Termination Configuration for Venting Using Three 90° Elbows

VENTING INSTALLATION INSTRUCTIONS

Continued

INSTALLATION FOR VERTICAL TERMINATION

Note: Vertical restrictor must be installed in all vertical installations.

1. Determine the route your vertical venting will take. If ceiling joists, roof rafters or other framing will obstruct the venting system, consider an offset (see Figure 19) to avoid cutting load bearing members. **Note:** Pay special attention to these installation instructions for required clearances (air space) to combustibles when passing through ceilings, walls, roofs, enclosures, attic rafters, etc. Do not pack air spaces with insulation. Also note maximum vertical rise of the venting system and any maximum horizontal offset limitations.
2. Set the fireplace in desired location. Drop a plumb line down from the ceiling to the position of the fireplace exit flue. Mark the center point where the vent will penetrate the ceiling. Drill a small locating hole at this point. Drop a plumb line from the inside of the roof to the locating hole in the ceiling. Mark the center point where the vent will penetrate the roof. Drill a small locating hole at this point.

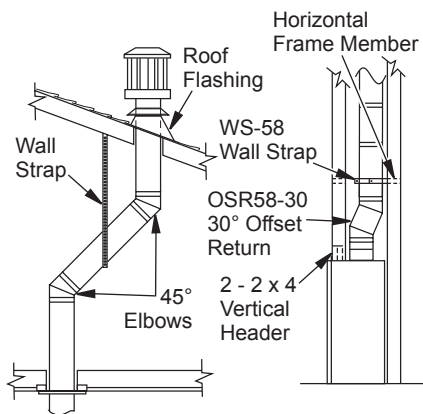


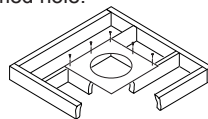
Figure 19 - 45° and 30° Offset with Wall Strap

Flat Ceiling Installation

1. Cut a $10\frac{3}{4}$ " square hole in the ceiling using the locating hole as a center point. The opening should be framed to $10\frac{3}{4}$ " x $10\frac{3}{4}$ " inside dimensions, as shown in Figure 11 on page 11 using framing lumber the same size as the ceiling joists. If the area above the ceiling is an insulated ceiling, you must use the firestop thimble and special firestop included with the kit to prevent insulation from contacting the vent pipe (see *Thimble Installation*, page 16). Otherwise, install firestop below the framed hole. The firestop should be installed with no less than three nails per side (see Figure 20).
2. Assemble the desired lengths of pipe and elbows necessary to reach from the fireplace flue up through the firestop. Be sure all pipe and elbow connections are fully twist-locked (see Figure 10, page 11).
3. Cut a hole in the roof using the locating hole as a center point. (Cover any exposed open vent pipes before cutting hole in roof.) The $10\frac{3}{4}$ " x $10\frac{3}{4}$ " hole must be measured on the horizontal; actual length may be larger depending on the pitch of the roof. There must be a 1" clearance from the vent pipe to combustible materials. Frame the opening as shown in Figure 11, page 11.
4. Connect a section of pipe and extend up through the hole.

Note: If an offset is needed to avoid obstructions, you must support the vent pipe every 3 feet. Use wall straps for this purpose (see Figure 19). Whenever possible, use 45° elbows instead of 90° elbows. The 45° elbow offers less restriction to the flow of the flue gases and intake air.

If area above is a room, install firestop above framed hole.



If area above is an insulated area, install firestop below framed hole.

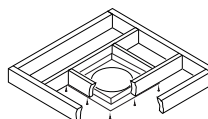


Figure 20 - Installing Firestop

VENTING INSTALLATION INSTRUCTIONS

Continued

- Place the flashing over the pipe section(s) extending through the roof. Secure the base of the flashing to the roof and framing with roofing nails. Be sure roofing material overlaps the top edge of the flashing as shown in Figure 19, page 15. There must be a 1" clearance from the vent pipe to combustible materials.
- Continue to add pipe sections until the height of the vent cap meets the minimum building code requirements described in Figure 9 on page 9. **Note:** You must increase vent height for steep roof pitches. Nearby trees, adjoining rooflines, steep pitched roofs and other similar factors may cause poor draft or down-drafting in high winds. Increasing the vent height may solve this problem.
- Twist-lock the vent cap onto the last section of vent pipe.

Note: If the vent pipe passes through any occupied areas above the first floor, including storage spaces and closets, you must enclose pipe. You may frame and sheetrock the enclosure with standard construction material. Make sure and meet the minimum allowable clearances to combustibles. Do not fill any of the required air spaces with insulation.

Thimble Installation

- Plumb and locate knockout area for vent pipe.
- Cut and frame ceiling joist to dimensions shown in Figure 11, page 11.
- Determine where firestop plate should be attached to thimble by test-fitting thimble into framing. Thimble should be at or above the height of the insulation.
- Attach thimble into firestop plate using 4 hex screws provided (see Figure 21).

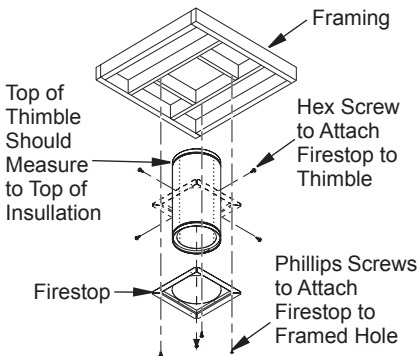


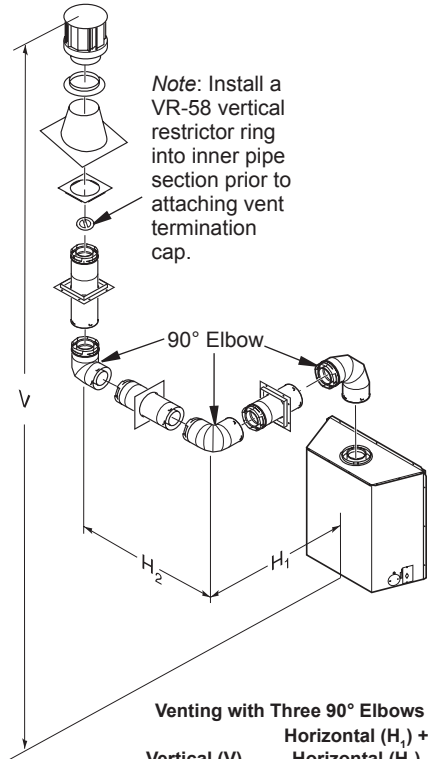
Figure 21 - Installing Thimble with Firestop

- Refit assembly into opening and attach to framing with 8 phillips screws provided (see Figure 20, page 15).
- Thimble installation is ready to receive vent pipe. Follow venting installation instructions.

Vertical Termination Configurations for Top Vent

Figures 22 through 25 show four different configurations for vertical termination.

VERTICAL VENT INSTALLATIONS USING MULTIPLE 90° ELBOWS



Venting with Three 90° Elbows

Vertical (V)	Horizontal (H ₁) + Horizontal (H ₂)
8' Min.	5' Max
10' Min.	8' Max
12' Min.	11' Max
14' Min.	14' Max
16' Min.	17' Max
18' Min.	20' Max
40' Min.	20' Max

Figure 22 - Vertical Venting Configuration using Three 90° Elbows (Vertical Round High Wind Termination)

VENTING INSTALLATION INSTRUCTIONS

Continued

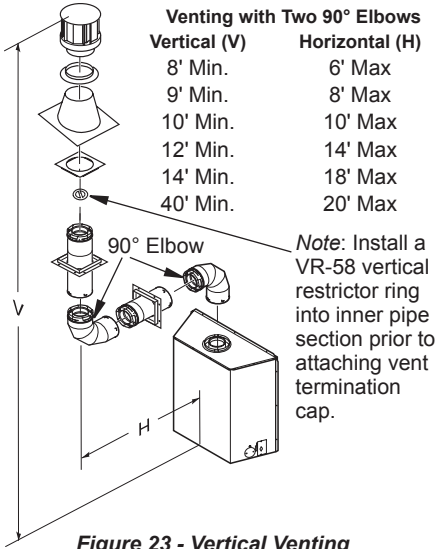


Figure 23 - Vertical Venting Configuration Using Two 90° Elbows (Vertical Round High Wind Termination)

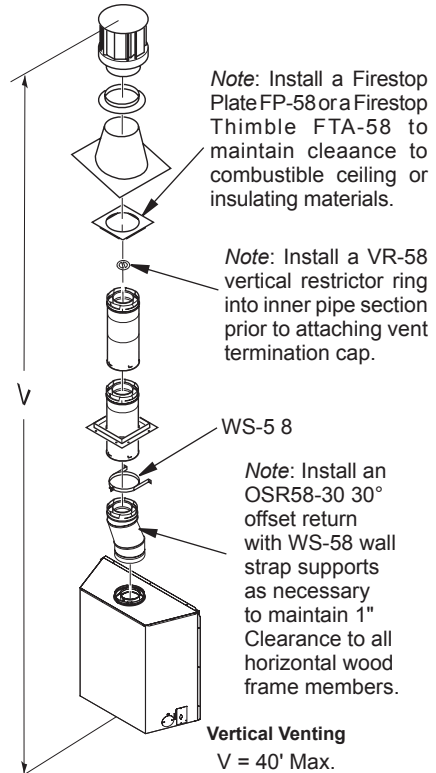


Figure 25 - Vertical Venting Configuration with No Horizontal Run (Vertical Round High Wind Termination)

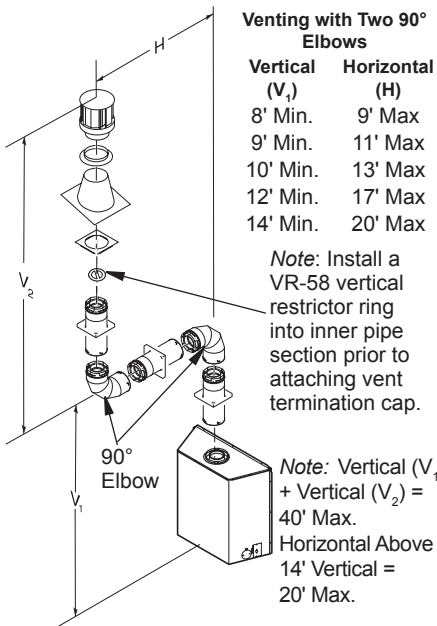


Figure 24 - Vertical Venting Configuration Using Two 90° Elbows (Vertical Round High Wind Termination)

PARTS LIST FOR VENTING KITS AND COMPONENTS

DESA (5"/8") Pipe & Vent Kits

Number	Description
P58-6	6" Section Double Wall Pipe, Galv.
P58-12	12" Section Double Wall Pipe, Galv.
P58-24	24" Section Double Wall Pipe, Galv.
P58-36	36" Section Double Wall Pipe, Galv.
P58-48	48" Section Double Wall Pipe, Galv.
PA58-712	Adjustable 7"-12" Section Double Wall Pipe, Galv.
E58-45	45° Elbow, Galv.
E58-90	90° Elbow, Galv.

VENTING INSTALLATION INSTRUCTIONS

Continued

Number Description

CVVK-58	Ceiling Vertical Vent Kit (Includes: 30° Offset Return, 7"-12" Adjustable Pipe, Flue Restrictor, Vertical High Wind Termination, 3' Pipe, 4' Pipe, Firestop Plate, Firestop Thimble, Storm Collar, Roof Flashing [0/12 - 6/12], 38 Screws)
CHVK-58	Corner Horizontal Vent Kit, (Includes 90° Elbow, 7"-12" Adjustable Pipe, Wall Firestop, Horizontal Square Termination, 6" Pipe, 18 Screws)
HHTK-58	High Wind Round Horizontal Termination Kit (Includes Round Termination, Wall Firestop, 45° Elbow)
HHT-58	High Wind Round Horizontal Termination Kit, Galv.
HTS-58	Horizontal Square Termination, Galv. HTKS-58 Horizontal Square Termination Kit (Includes: Square Termination, Wall Firestop, 45° Elbow)
VT-58	Vertical Round Termination, Galv.
SC-58	Storm Collar, Galv.
WF-58	Wall Firestop, Galv.
RF-58-6	Roof Flashing - 0 to 6/12 Pitch, Galv.
RF-58-12	Roof Flashing - 6/12 to 12/12 Pitch, Galv.
VR-58	Vertical Restrictor, Galv.
S-58	Vinyl Siding Standoff, Galv.
WS-58	Wall Strap
CS-58	Cathedral Ceiling Support
FP-58	Firestop Plate
SF-58	Stucco Flashing - For use with HTS-58
RF-58	Flat Roof Flashing

FIREPLACE INSTALLATION

ELECTRICAL SUPPLY CONNECTION

⚠ CAUTION: Disconnect the electrical power to the supply circuit before attempting to connect or service this appliance.

⚠ WARNING: This appliance, when installed must be electrically grounded in accordance with local code or in the absence of local code, with the current *National Electric Code, ANSI/NFPA 70, or the Canadian Electric Code, CSA C22.1.*

A prewired junction box receptacle with strain relief is provided on the right side of the cabinet for hard wiring the unit to a 15 Amp, 120VAC, 60Hz grounded branch circuit. If the installation demands that the electrical supply be connected from the left side, the entire receptacle box can be relocated to the left side by following these instructions:

Note: If you do not need to relocate the junction box, to connect the electric supply follow steps 8 through 11 only:

1. Remove 2 screws and outer cover with strain relief bushing on right side of cabinet (see Figure 26).
2. Remove inner retaining screw on junction box mounting tab.
3. Slide junction box up until screw mounting tab is lined up to notch in outer cabinet.

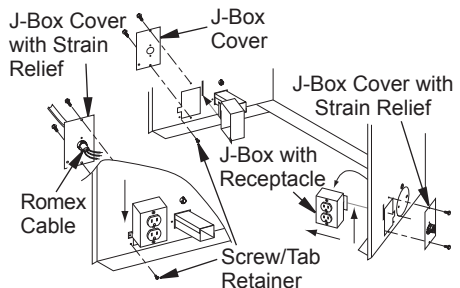


Figure 26 - Relocating Junction Box Receptacle and Electrical Supply Connection

FIREPLACE INSTALLATION

Continued

4. Swing the junction box out and slip retaining flange out through the slot in outer cabinet.
 5. Remove two screws and outer cover on the left side of the outer cabinet.
 6. Reinsert junction box retaining flange through slot now on the left side and swing screw mounting tab back through notch as before.
 7. Slide the junction box down till mounting tab holes line up and replace the inner retaining screw.
 8. With junction box cover removed, pull the end of 3-wire Romex supply line through universal strain relief bushing on cover (see Figure 26, page 18).
 9. Strip back the outer Romex to about 4" and connect black, white and green wires accordingly using 3 wire nut connectors.
 10. Tuck tailing wires into junction box and replace junction box cover using 2 remaining screws.
 11. Tighten down strain adjustment on universal bushing until Romex sheathing is secured.
- The electrical connection is now complete.

INSTALLING OPTIONAL BLOWER ACCESSORIES

NOTICE: If installing blower in an existing fireplace with gas connections, shut off gas supply and disconnect heater from gas supply. Contact a qualified service person to do this.

⚠ WARNING: If there is a duplex electrical outlet installed in the right side of the bottom of the fireplace base area, be sure that the electrical power to the outlet is turned off before proceeding with blower installation. Failure to do this may result in serious injury.

Model BK Installation

Follow all instructions provided in the blower accessory kit.

1. Attach power cord to blower motor by firmly pushing the two female terminals at the end of power cord onto the two spade terminals on blower motor (see Figure 27).
2. Attach green ground wire from power cord to blower housing using screw provided (see Figure 27). Tighten screws securely.
3. Place blower against lower rear wall of the firebox outer wrapper with exhaust port directed upward. The blower will fit inside the back opening and be held in position against the back wall by magnets (see Figure 27).
4. Be certain that all wire terminals are securely attached to terminals on blower motor and that the screw retaining the green ground wire is tight.
5. Mount speed control box by placing plastic control shaft through opening in switch bracket (see Figure 28).

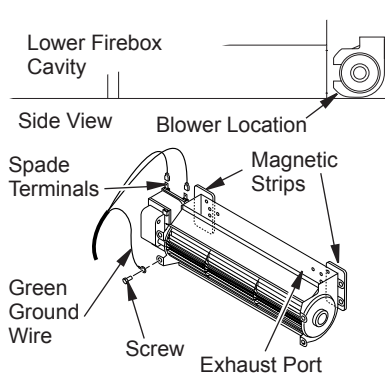


Figure 27 - Blower Model BK

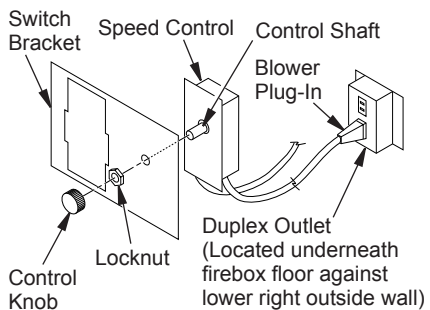


Figure 28 - Attaching Speed Control to Firebox (Millivolt Models)

FIREPLACE INSTALLATION

Continued

6. While supporting speed control, secure control shaft with lock nut by pushing and turning lock nut with pliers clockwise until it is tight against front panel. Place control knob provided on shaft.
7. Turn on power to duplex outlet if previously turned off per the warning on page 19.
8. Plug in blower power cord.
 - a. **If your firebox is installed as a free-standing unit with an accessory mantel**, determine whether the power cord will exit the left side or the right side of the firebox. Route power cord through exit hole and plug the power cord into a wall receptacle near the firebox.
 - b. **If your firebox installation is recessed and/or prewired**, plug the power cord into the duplex outlet provided. Refer to your firebox owner's manual for instructions on wiring the duplex outlet.

CAUTION: Never touch the blower wheel while in operation.

9. Check to make sure that the power cord is completely clear of the blower wheel and that there are no other foreign objects in blower wheel. Turn blower on and check for operation. Turn blower off by turning knob fully counterclockwise before continuing.
10. Peel off the backing paper and stick the supplied wiring diagram decal on the firebox bottom approximately 12" in front of the blower (see Figure 29).

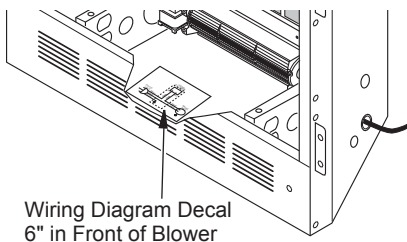


Figure 29 - Location of Wiring Diagram Decal (Model May Vary From Illustration)

Model BKT Installation

Note: When installing the BKT thermostatically-controlled blower, you must first secure the thermal switch bracket to the blower if it has not already been factory installed.

1. Place the green ground wire with ring terminal between the bottom hole on the thermal switch bracket and the top ear hole on the blower assembly. Insert the phillips screw into all three pieces and tighten securely (see Figure 30).
2. Connect wire harness and power cord terminals. Connect the blue jumper wire to the blower motor terminal and the right side terminal of the thermal switch. Connect the black wire to the left side of the thermal switch and the white wire to the other remaining blower motor terminal.

Note: The power cord outer insulation sleeve may have to be stripped slightly to allow enough wire length to reach and make all connections. DO NOT trim excessive length away. Just enable enough to make all connections securely.

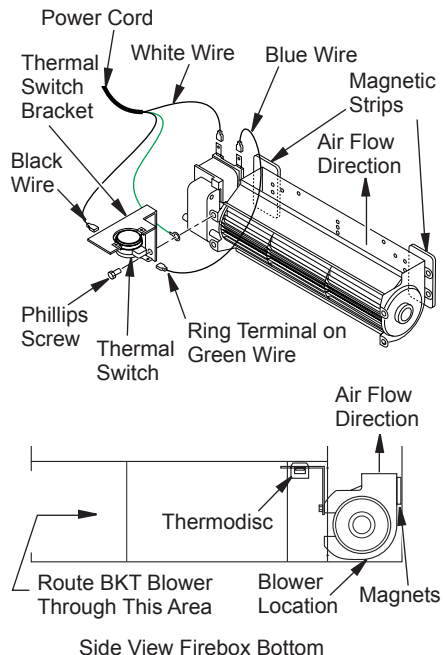


Figure 30 - Blower Model BKT

FIREPLACE INSTALLATION

Continued

3. Place the blower against the lower rear wall of the firebox outer wrapper with the exhaust port directed upward and the thermodisc positioned up near the fireplace bottom. The thermodisc must be oriented near the fireplace bottom as shown in Figure 30, page 20, in order to sense temperature and properly operate. The blower will be held in position against the back wall by the magnets incorporated onto the blower housing (see Figure 30, page 20).
4. Be certain that all wire terminals are securely attached to terminals on blower motor and thermal switch and that the screw for the thermodisc bracket and green ground wire is tight.
5. Mount speed control box by placing plastic control shaft through opening in switch bracket (see Figure 28, page 19).
6. While supporting speed control, secure control shaft with lock nut by pushing and turning lock nut with pliers clockwise until it is tight against mounting plate. Place control knob provided on shaft (see Figure 28, page 19).
7. Check to make sure that power cord is completely clear of blower wheel and that there are no other foreign objects in blower wheel. Also double check all wire leads and make sure wire routing is not pinched or in a precarious position. Correct accordingly.
8. Turn on power to duplex outlet if previously turned off per warning in column 1, page 19.
9. Plug in blower power cord to duplex outlet.
10. The blower will only run when the speed control knob is in the ON position and the thermal switch senses temperature after the fireplace begins to heat up. The blower speed can be adjusted by rotating the control knob. To turn off, turn knob fully counterclockwise until it clicks off. If the blower is ON and has been running with the fireplace operating, the blower will continue to run for a short time after the fireplace has been turned off. As the thermal switch cools down, the blower shuts down automatically.
11. Peel off the backing paper and stick the supplied wiring diagram decal on the firebox bottom approximately 12" in front of the blower (see Figure 29, page 20).

WIRING DIAGRAMS

⚠ CAUTION: Label all wires prior to disconnection when servicing controls. Wiring errors can cause improper and dangerous operation. Verify proper operation after servicing.

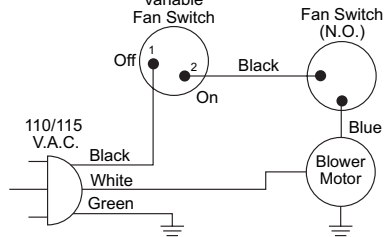


Figure 31 - Blower Wiring Diagram for Thermostat-Controlled Models

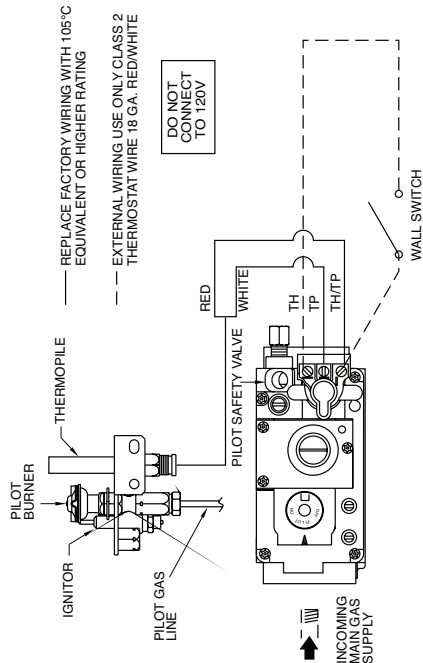


Figure 32 - Millivolt Ignition Wiring Diagram

FIREPLACE INSTALLATION

Continued

INSTALLING OPTIONAL WALL MOUNT SWITCH - GWMS2

1. Connect one terminal of 25 ft. wire for the wall switch to the TPTH terminal on the valve. Connect remaining wire terminal to the TH terminal on the valve. Make sure that the wire terminals are in the positions on the unit as pictured in Figure 33. If wires are not connected as shown the switch will not work.
 2. Route the 25 ft. wire through openings provided on the sides of the burner system to a convenient location to mount your switch.
 3. Connect one bare wire end to each of the terminals of the GWMS2 wall switch.
 4. Install the wall switch and cover in the wall.
- IMPORTANT:** Do not use any other wire than that provided with the GWMS2 wall switch kit. Do not exceed 15 ft. of distance from the valve connection. Using wire of higher gage or turns or exceeding the minimum distance will increase resistance at the control valve causing unreliable performance of the fireplace controls.

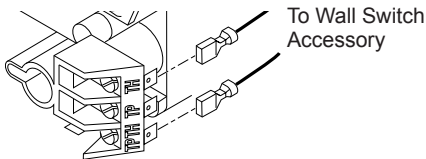


Figure 33 - Connecting Wall Switch to Control Valve

INSTALLING OPTIONAL WIRELESS HAND-HELD REMOTE CONTROL FOR MILLIVOLT IGNITION - HRC100 AND HRC200 SERIES

NOTICE: Use only alkaline batteries (not included).

Installing Remote Receiver

1. Open bottom louver and locate the switch bracket on the right
2. Locate the battery clip mounted on the back of the receiver. Slide a 9-volt alkaline battery (not included) through the clip
3. Attach the terminal wires to the battery (see Figure 34).
4. Connect wires from receiver to TH and TPTH to control valve (see Figure 33).

5. Locate the two plastic mounting clips provided with the kit.
6. Use the clips to mount the receiver on remote mounting bracket as shown in Figure 35.

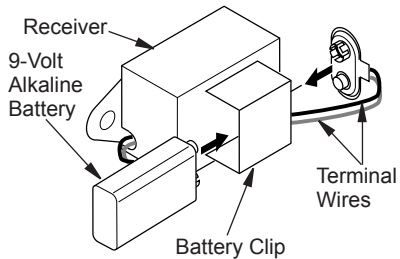


Figure 34 - Attaching Alkaline Battery to Receiver

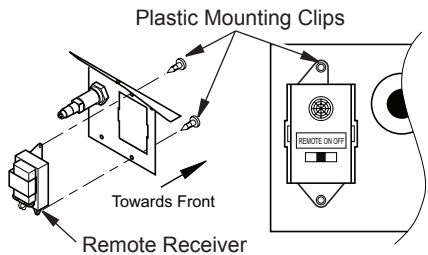


Figure 35 - Mounting Remote Receiver to Bracket

Installing 9-Volt Alkaline Battery in Hand-Held Remote Control Unit

1. Remove battery cover on back of remote control unit.
2. Attach terminal wires to a 9-volt alkaline battery (not included). Place battery into the battery housing.
3. Replace battery cover onto remote control unit.

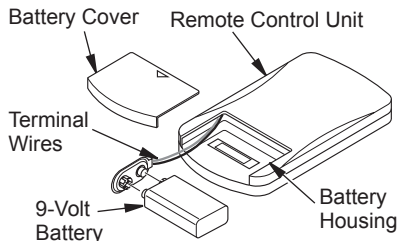


Figure 36 - Installing Battery in Hand-Held Remote Control Unit

FIREPLACE INSTALLATION

Continued

CHECK GAS TYPE

Use proper gas type for the fireplace unit you are installing. If your gas supply is not correct, do not install fireplace. See retailer where you purchased the fireplace for proper fireplace according to your gas type or to purchase gas conversion kit (see *Accessories*, page 39).

INSTALLING GAS PIPING TO FIREPLACE LOCATION

⚠ WARNING: A qualified service person must connect fireplace to gas supply. Follow all local codes.

⚠ CAUTION: For propane/LP units, never connect fireplace directly to the propane/LP supply. This heater requires an external regulator (not supplied). Install the external regulator between the fireplace and propane/LP supply.

Installation Items Needed

Before installing fireplace, make sure you have the items listed below.

- external regulator (supplied by installer)
- piping (check local codes)
- sealant (resistant to propane/LP gas)
- equipment shutoff valve *
- test gauge connection *
- sediment trap
- tee joint
- pipe wrench
- approved flexible gas line with gas connector (if allowed by local codes)

* A CSA design-certified equipment shutoff valve with 1/8" NPT tap is an acceptable alternative to test gauge connection. Purchase the CSA design-certified equipment shutoff valve from your retailer.

For propane/LP connection only, the installer must supply an external regulator. The external regulator will reduce incoming gas pressure. You must reduce incoming gas pressure to between 11 and 14 inches of water. If you do not reduce incoming gas pressure, fireplace regulator damage could occur. Install external regulator with the vent pointing down as shown in Figure 37. Pointing the vent down protects it from freezing rain or sleet.

⚠ CAUTION: Use only new, black iron or steel pipe. Internally-tinned copper tubing may be used in certain areas. Check your local codes. Use pipe of 1/2" diameter or greater to allow proper gas volume to fireplace. If pipe is too small, undue loss of volume will occur.

Installation must include an equipment shutoff valve, union and plugged 1/8" NPT tap. Locate NPT tap within reach for test gauge hook up. NPT tap must be upstream from fireplace (see Figure 38, page 24).

IMPORTANT: Install main gas valve (equipment shutoff valve) in an accessible location. The main gas valve is for turning on or shutting off the gas to the appliance.

Check your building codes for any special requirements for locating equipment shutoff valve to fireplaces.

Apply pipe joint sealant lightly to male NPT threads. This will prevent excess sealant from going into pipe. Excess sealant in pipe could result in clogged fireplace valves.

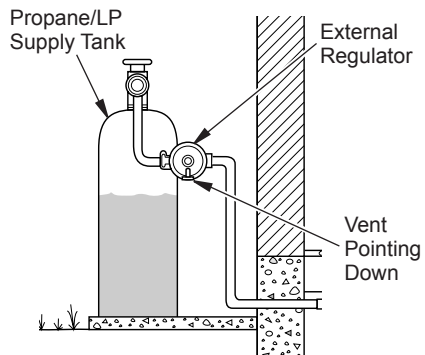


Figure 37 - External Regulator with Vent Pointing Down (Propane/LP Only)

FIREPLACE INSTALLATION

Continued

⚠ WARNING: Use pipe joint sealant that is resistant to liquid petroleum (LP) gas.

We recommend that you install a sediment trap/drip leg in supply line as shown in Figure 38. Locate sediment trap/drip leg where it is within reach for cleaning. Install in piping system between fuel supply and fireplace. Locate sediment trap/drip leg where trapped matter is not likely to freeze. A sediment trap traps moisture and contaminants. This keeps them from going into fireplace gas controls. If sediment trap/drip leg is not installed or is installed wrong, fireplace may not run properly.

CSA Design-Certified
Equipment Shutoff Valve
with 1/8" NPT Tap*

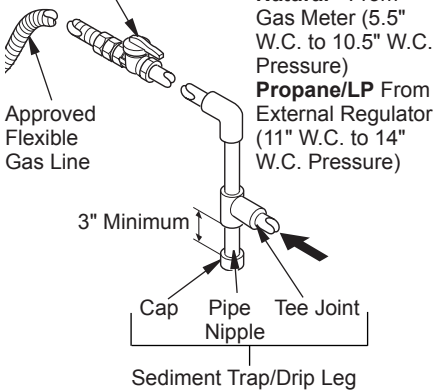


Figure 38 - Gas Connection

* The CSA design-certified equipment shutoff valve may be supplied with the appliance or you can purchase it from your retailer.

CONNECTING FIREPLACE TO GAS SUPPLY

Installation Items Needed

- 5/16" hex socket wrench or nut-driver
 - sealant (resistant to propane/LP gas, not provided)
1. Open lower louver door panel by gently pulling forward.
 2. Route flexible gas line (provided by installer) from equipment shutoff valve to fireplace. Route flexible gas supply line through one of the access holes on side of fireplace.

3. Attach flexible gas line from gas supply to control valve (see Figure 39).
4. Check all gas connections for leaks. See *Checking Gas Connections*.

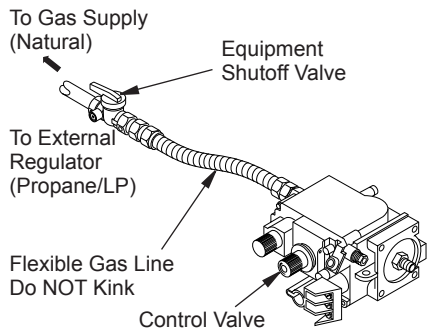


Figure 39 - Connecting Flexible Gas Line to Millivolt Valve

CHECKING GAS CONNECTIONS

⚠ WARNING: Test all gas piping and connections, internal and external to unit, for leaks after installing or servicing. Correct all leaks at once.

⚠ WARNING: Never use an open flame to check for a leak. Apply noncorrosive leak detection fluid to all joints. Bubbles forming show a leak. Correct all leaks at once.

PRESSURE TESTING GAS SUPPLY PIPING SYSTEM

Test Pressures In Excess Of 1/2 PSIG (3.5 kPa)

1. Disconnect fireplace and its individual equipment shutoff valve from gas supply piping system. Pressures in excess of 1/2 psig (3.5 kPa) will damage fireplace gas regulator.
2. Cap off open end of gas pipe where equipment shutoff valve was connected.
3. Pressurize supply piping system by either opening propane/LP supply tank valve for propane/LP gas fireplace or opening main gas valve located on or near gas meter for natural gas fireplace or using compressed air.

FIREPLACE INSTALLATION

Continued

4. Check all joints of gas supply piping system. Apply noncorrosive leak detection fluid to all joints. Bubbles forming show a leak. Correct all leaks at once.
5. Reconnect fireplace and equipment shutoff valve to gas supply. Check reconnected fittings for leaks.

Test Pressures Equal To or Less Than 1/2 PSIG (3.5 kPa)

1. Close equipment shutoff valve (see Figure 40).
2. Pressurize supply piping system by either opening propane/LP supply tank valve for propane/LP gas fireplace or opening main gas valve located on or near gas meter for natural gas fireplace or using compressed air.
3. Check all joints from propane/LP supply tank or gas meter to equipment shutoff valve (see Figure 41, for propane/LP or Figure 42, for natural gas). Apply noncorrosive leak detection fluid to all joints. Bubbles forming show a leak. Correct all leaks at once.

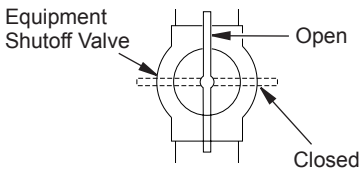
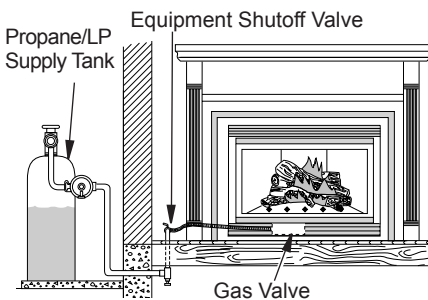
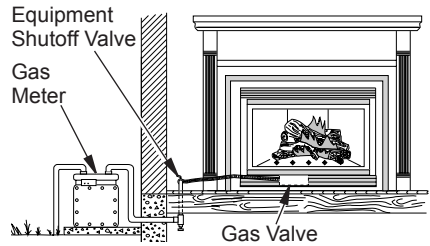


Figure 40 - Equipment Shutoff Valve



**Figure 41 - Checking Gas Joints for
Propane/LP Gas Fireplace**



**Figure 42 - Checking Gas Joints for
Natural Gas Fireplace**

PRESSURE TESTING FIREPLACE GAS CONNECTIONS

1. Open equipment shutoff valve (see Figure 40).
2. Open propane/LP supply tank valve for propane/LP fireplace or main gas valve located on or near gas meter for natural gas fireplace.
3. Make sure control knob of fireplace is in the OFF position.
4. Check all joints from equipment shutoff valve to gas valve (see Figure 41 for propane/LP or Figure 42 for natural gas). Apply noncorrosive leak detection fluid to all joints. Bubbles forming show a leak. Correct all leaks at once.
5. Light fireplace (see *Operating Fireplace*, page 28). Check all other internal joints for leaks.
6. Turn off fireplace (see *To Turn Off Gas to Appliance*, page 28).

REMOVING/REPLACING GLASS DOOR

CAUTION: Do not operate this fireplace with a broken glass door panel or without the glass door panel securely in place. For replacement part information see *Replacement Parts*, page 38.

CAUTION: Wear gloves and safety glasses while handling or removing broken glass. Do not remove if glass is hot. Keep children and pets away from glass.

FIREPLACE INSTALLATION

Continued

⚠ WARNING: If fireplace has been running, turn off and unplug fireplace. Let cool before removing glass door or louvers.

Removing Lower Louver Access Panel

1. Grasp the lower louver panel and pull up until the hanger brackets release from the door pins (see Figure 43).
2. Swing the louver panel out until it clears the fireplace opening.
3. Pull the entire panel out until the bottom tabs are free of the slot openings in the lower face frame.

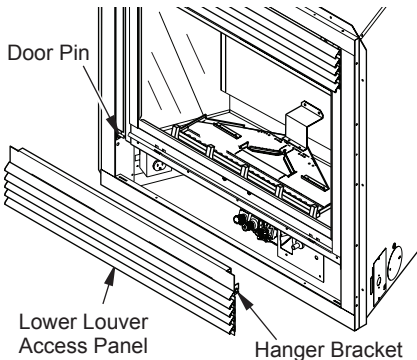


Figure 43 - Removing Lower Louver Access Panel

Removing Top Louver Trim Panel

1. Grasp the two hanger brackets at the bottom and pull up until the hanger brackets release from the door pins (see Figure 44).
2. Swing out the bracket ends until the upper panel tabs can be angled out of the slot openings in the upper face frame.
3. Pull the entire louver trim panel out of the face frame.

⚠ WARNING: If fireplace has been running, turn off and let cool before accessing or servicing the unit.

⚠ WARNING: Handle glass door panel with care. Do not strike, slam, or otherwise abuse glass. Do not operate fireplace with glass door removed, cracked, or broken.

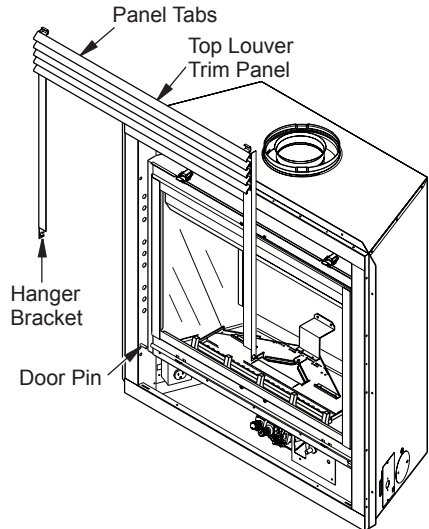


Figure 44 - Removing Top Louver Trim Panel

Removing Glass Door

If replacement of glass is necessary, the entire assembly, glass and frame, must be replaced. If glass is broken, wear gloves and tape the remaining fragments onto the frame.

1. Remove the lower louver panel (see *Removing Lower Louver Access Panel* and Figure 43).
2. Remove the top louver trim panel (see *Removing Top Louver Trim Panel* and Figure 44).
3. Hold the glass frame with one hand and with the other hand unlock the two door latches found on top of the firebox to release tension on the door frame (see Figure 45, page 27).
4. Unhook the locking clasp from the tabs on the door frame and with both hands swing the door panel out while pivoting the lower frame on the lower retaining bracket.
5. Lift the lower frame tabs out from the positioning slots found on the lower frame retaining bracket (see Figure 45, page 27).
6. Remount the new frame in reverse order by

FIREPLACE INSTALLATION

Continued

placing the positioning tabs on the glass frame into the slots in the retaining bracket then swinging the door into the sealed position and locking the two latches in place.

7. Replace the top louver panel and then the lower louver panel.

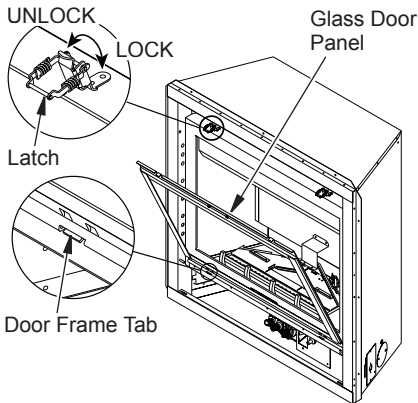


Figure 45 - Removing/Replacing Glass Door

INSTALLING LOGS, LAVA ROCK AND GLOWING EMBERS

A 4 piece ceramic log set comes packed inside the unit firebox. Removal of glass door is necessary to unpack and assemble the logs and add hearth treatments. Follow steps under *Removing/Replacing Glass Door*, page 25 to access the logs and burner. Assemble the logs and add burner treatments as follows:

1. Position the base log onto burner log mounts (see Figure 46). **Note:** The cut out on the bottom should fit over the mounts and the base log should be positioned against the rear panel.
2. Position the holes on the bottom of the rear log over the pins on the base log (Figure 46).
3. Position the top left log and top right log onto the rear log and base log as shown in (see Figure 46).

4. Open the bag of ember materials.
5. Break apart about quarter sized pieces and place about a single layer along the full length of the ember tray to hide the bottom edge of the base log (see Figure 47).
6. Replace the glass door and louver panels. See *Removing/Replacing Glass Door*, page 25.

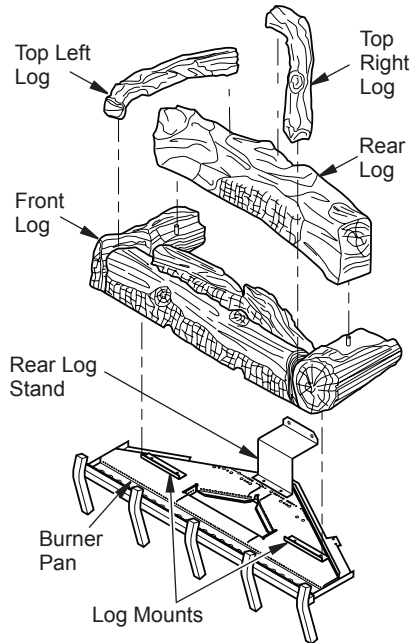


Figure 46 - Installing Logs

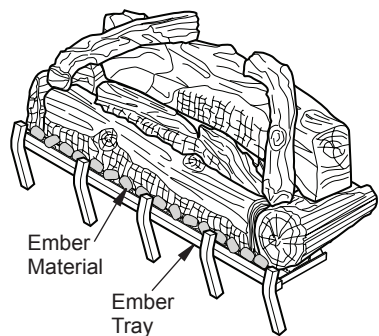


Figure 47 - Applying Ember Material

⚠ WARNING: The glass door must be securely in place before running this fireplace. Do not run this fireplace if glass is missing or broken.

OPERATING FIREPLACE

FOR YOUR SAFETY
READ BEFORE LIGHTING

WARNING: If you do not follow these instructions exactly, a fire or explosion may result causing property damage, personal injury or loss of life.

- A. This appliance has a pilot which must be lighted by hand. When lighting the pilot, follow these instructions exactly.
- B. **BEFORE LIGHTING** smell all around the appliance area for gas. Be sure to smell next to the floor because some gas is heavier than air and will settle on the floor.

WHAT TO DO IF YOU SMELL GAS

- Do not try to light any appliance.
 - Do not touch any electric switch; do not use any phone in your building.
 - Immediately call your gas supplier from a neighbor's phone. Follow the gas supplier's instructions.
- C. Use only your hand to push in or turn the gas control knob. Never use tools. If the knob will not push in or turn by hand, don't try to repair it, call a qualified service technician. Force or attempted repair may result in a fire or explosion.
 - D. Do not use this appliance if any part has been under water. Immediately call a qualified service technician to inspect the appliance and to replace any part of the control system and any gas control which has been under water.

LIGHTING INSTRUCTIONS

1. **STOP!** Read the safety information above.
2. Open lower louver panel.
3. Turn off all electric power to the fireplace.
4. Push in gas control knob slightly and turn clockwise to OFF (see Figure 48).
5. Wait five (5) minutes to clear out any gas. Then smell for gas, including near the floor. If you smell gas, **STOP!** Follow "B" in the safety information above. If you don't smell gas go to the next step.

6. The pilot is located by the main burner and should not require accessing for lighting.
7. Turn gas control knob counterclockwise to PILOT.
8. Push in gas control knob all the way and hold. Immediately light the pilot by repeatedly depressing the piezo spark ignitor until a flame appears. Continue to hold for about 1 minute after the pilot is lit. Release gas control knob and it will pop back. Pilot should remain lit. If it goes out, repeat steps 5 through 8.
 - If gas control knob does not pop up when released, stop and immediately call your service technician or gas supplier.
 - If the pilot will not stay lit after several tries, turn the gas control knob to OFF and call your service technician or gas supplier.
9. Turn on all electric power to fireplace.
10. Turn gas control knob counterclockwise to "ON".
11. This valve is equipped with a HI/LO feature. Set fireplace input as desired.
12. Close lower louver panel.

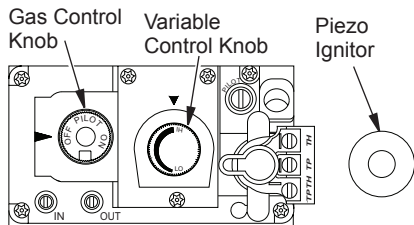


Figure 48 - Control Valve

TO TURN OFF GAS TO APPLIANCE

1. Open lower louver panel.
2. Set the wall switch to the OFF position or the HRC selector switch (when equipped) to prevent draining the battery.
3. Turn off all electric power to the appliance if service is to be performed.
4. Push in gas control knob slightly and turn clockwise to OFF.
5. Close lower louver panel.

Shutting Off Burners Only (pilot stays lit)
You may shut off the burners and keep the pilot lit by doing one of the following:

1. Turn gas control knob clockwise to the PILOT position.
2. Set the wall switch to the OFF position or the HRC selector switch (when equipped) to prevent draining the battery.

OPERATING FIREPLACE

Continued

MANUAL LIGHTING PROCEDURE

1. Remove glass door (see *Removing/Replacing Glass Door*, page 25).
2. Follow steps 1 through 8 under *Lighting Instructions*, page 28.
3. Depress gas control knob and light pilot with match.
4. Keep gas control knob pressed in for 30 seconds after lighting pilot. After 30 seconds, release gas control knob. Follow steps 9 through 12 under *Lighting Instructions*, page 28.
5. Replace glass door (see *Removing/Replacing Glass Door*, page 25).

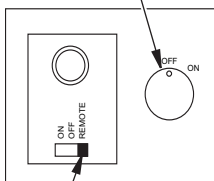
OPTIONAL HAND-HELD REMOTE OPERATION

Note: All remote control accessories must be purchased separately (see *Accessories*, page 39). Follow instructions included with the remote control.

NOTICE: You must light the pilot before using the hand-held remote control unit. See *Lighting Instructions*, page 28.

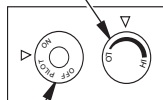
After lighting, let pilot flame burn for about one minute. Turn control knob to ON position. Adjust flame adjustment knob anywhere between HI and LO. Slide the selector switch to the REMOTE position (see Figure 49). **Note:** The burner may light if hand-held remote was on when selector switch was last turned off. You can now turn the burner on and off with the hand-held remote control unit.

Blower Control Knob
(Optional Accessory)



Selector Switch in
Remote Position

Variable Control
Knob



Gas Control Knob
in ON Position

Figure 49 - Setting the Selector Switch, Gas Control Knob and Variable Control Knob for Remote Operation

IMPORTANT: Do not leave the selector switch in the REMOTE or ON position when the pilot is not lit. This will drain the battery.

On/Off Series Model HRC100

Hold the control button on the hand-held remote until burner turns on. Hold the control button again until burner turns off (see Figure 50).

TO LOCK press both buttons on hand-held remote control until light stops flashing. Hand-held remote control is now locked. If the fire is on it will be turned off automatically. In the locked state, the light will not light up when any button is pressed.

TO UNLOCK press both buttons together on hand-held remote control until the light stops flashing. The hand-held remote is now unlocked.

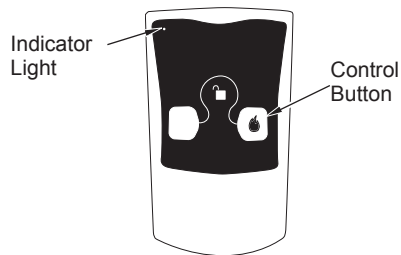


Figure 50 - On/Off Hand-Held Remote Control Unit HRC100

Thermostat Series Model HRC200

The hand-held remote can be operated using either the manual mode (MANU) or thermostatic mode (AUTO) (see Figure 51, page 30). To select Fahrenheit/Centigrade mode display, carefully press the °C/°F mode button with the end of a paper clip or similar blunt object.

Manual Mode

1. Press the POWER and LOCK buttons together to turn on the hand-held remote control.
2. Press the MANU button to turn on the fireplace.
3. Press the POWER and LOCK buttons together to turn off the fireplace.

Auto (Thermostatic) Mode

1. Press the POWER and LOCK buttons together to turn on the hand-held remote control.
2. Press AUTO button to select this mode.
3. Set the desired room temperature by pressing the TEMP + or - buttons.

OPERATING FIREPLACE

Continued

4. Press the **POWER** and **LOCK** buttons together to turn off the fireplace

Note: Do not leave the hand-held remote in the **AUTO** mode close to the fireplace. The radiant heat from the fireplace will turn off the fireplace. Ideally, place the hand-held remote in the center of the room facing towards the fireplace.

Note: Do not hold the hand-held remote for a long time. Body temperature will affect its operation in the **AUTO** mode.

Safety Features

When away from home for an extended period of time or as a child safety feature to prevent accidental ignition of the fireplace, the receiver **ON/OFF/REMOTE** switch should be in the **OFF** position.

Auto Shutoff Feature

1. If the average room temperature exceeds 82 degrees Fahrenheit (28 degrees Centigrade), the hand-held remote control will perform a safety override and shut the fireplace off. This feature is not available in the **MANU** mode.
2. The receiver continuously receives signals from the hand-held remote to control the room temperature. If the hand-held remote is misplaced, obstructed or for any reason cannot transmit to the receiver, the receiver will shut off the fireplace after 8 minutes.

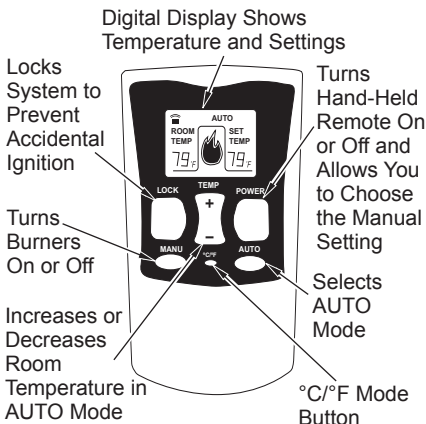


Figure 51 - Thermostat Hand-Held Remote Control Unit HRC200

Key Pad Lock Feature

This feature allows the user to lock/unlock the keypad on the hand-held remote in the **MANU** or **AUTO** mode to prevent inadvertent operation (i.e. children operating the hand-held remote control, etc.). The keypad is locked in either on or off. Press the **POWER** and **LOCK** buttons together to turn the unit on or off.

OPERATING OPTIONAL GWMT1 - WALL MOUNTED THERMOSTAT

⚠ WARNING: Do not connect the thermostat to a power source. Electrical shock and/or a fire hazard will occur.

Light the fireplace as instructed in *Lighting Instructions* on page 28. Set wall thermostat to desired temperature.

This thermostat has been electronically calibrated at the factory and requires no adjustment or leveling.

Upon installation, the thermostat must be allowed to stabilize at room temperature for a minimum of 30 minutes for proper operation. To turn the fireplace off, adjust thermostat to the lowest setting and turn the gas control knob back to **PILOT**. The pilot will remain lit.

IMPORTANT: To turn the pilot off, turn the gas control knob on the heater to the **OFF** position.

OPERATING OPTIONAL BLOWER ACCESSORY

Locate the blower controls by opening the lower louver panel on the fireplace. Blower controls are located on the right side of the switch bracket to the left just inside the louver panel. The **BK** manual blower and the **BKT** thermostatically-controlled blower have an **ON** setting and an **OFF** setting. The blower will only run when the switch is in the **ON** position. In the **OFF** position, the blower will not operate.

Note for BKT Only: If you are using **BKT** blower with optional thermostat (wall mounted or remote control) for the fireplace, your fireplace and blower will not turn on and off at the same time. The fireplace may run for several minutes before the blower turns on. After the heater modulates to the pilot position, the blower will continue to run. The blower will shut off after the firebox temperature decreases.

OPERATING FIREPLACE

Continued

The blower helps distribute heated air from the fireplace. Periodically check the louvers of the firebox and remove any dust, dirt or other obstructions that will hinder the flow of air.

INSPECTING BURNERS

Check pilot flame pattern and burner flame patterns often.

PILOT ASSEMBLY

The pilot assembly is factory preset for the proper flame height. Alterations may have occurred during shipping and handling. Call a qualified service person to readjust the pilot if necessary.

The position and pattern of the pilot flames in relation to the sensing devices should be as shown in Figure 52.

If your pilot assembly does not meet these requirements:

- turn fireplace off (see *To Turn Off Gas to Appliance*, page 28)
- see *Troubleshooting*, page 35

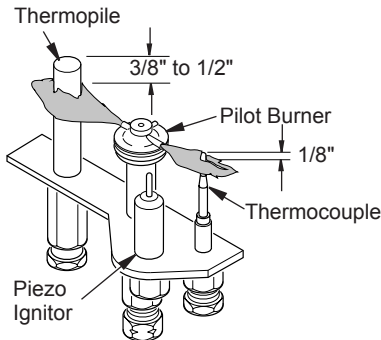


Figure 52 - Pilot Assembly (Millivolt)

BURNER FLAME PATTERN

Burner flames will be steady; not lifting or floating. Flame patterns will be different from unit to unit and will vary depending on installation type and weather conditions.

If the vent configuration is installed incorrectly, the flames will lift or "ghost". This can be dangerous. Inspect the flames after installation to ensure proper installation and performance.

Figure 53 shows a typical flame pattern.

If burner flame pattern differs from that described:

- turn fireplace off (see *To Turn Off Gas to Appliance*, page 28)
- see *Troubleshooting*, page 35

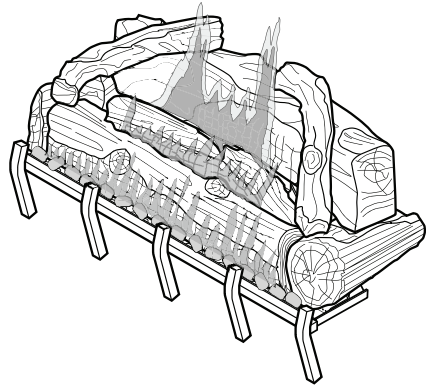


Figure 53 - Typical Flame Pattern

CONVERSION INSTRUCTIONS

The conversion kit must be installed by a qualified service agency.

The conversion kit is packaged with the unit. Please check contents before beginning this conversion.

Before proceeding, make sure gas control valve is in the OFF position, all electrical power to appliance is off and fireplace is cool to the touch.

Remove glass door to access the log and burner assembly as follows:

1. Remove lower louver panel (see *Removing Lower Louver Access Panel*, page 26).
2. Remove top louver trim panel (see *Removing Top Louver Trim Panel*, page 26).
3. Remove glass door panel (see *Removing Glass Door*, page 25).

BURNER ORIFICE CONVERSION

1. Remove top, rear and base logs, see Figure 54, page 32.
2. Remove two screws holding pilot bracket to rear of burner pan. (see Figure 54, page 32).
3. Remove two screws holding rear log stand to rear panel of firebox (see Figure 54, page 32).
4. Expose main burner orifice by lifting burner pan assembly off orifice mount.
5. Use a 1 1/8" wrench on bulkhead fitting and an 11/16" wrench to remove main burner orifice (see Figure 55, page 32).
6. Apply thread sealant to make end of the #55 main burner orifice included with kit and remount orifice into bulkhead fitting.

CONVERSION INSTRUCTIONS

Continued

- Loosen set screw on main burner air shutter, rotate to fully open, and retighten set screw (see Figure 56).
- Reposition burner with air shutter placed over orifice mount and replace two screws on rear log stand and two screws at pilot assembly.

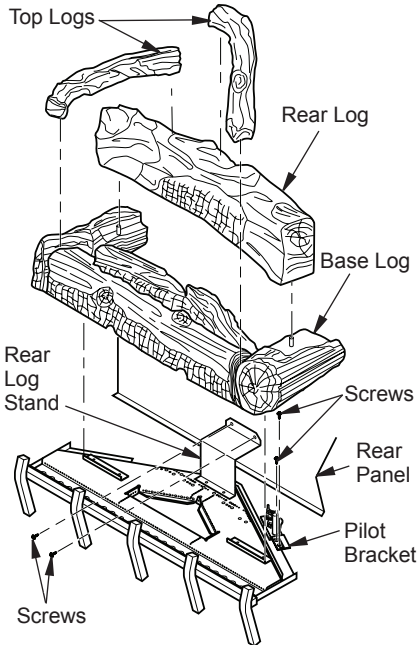


Figure 54 - Removing Logs and Burner Assembly

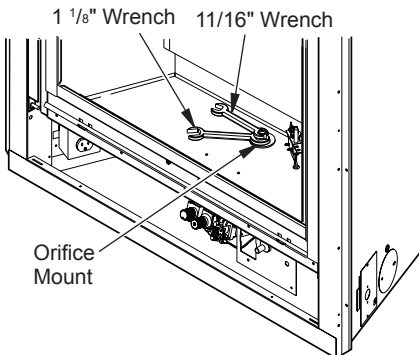
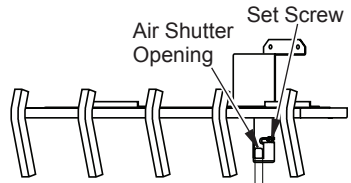


Figure 55 - Removing Main Burner Orifice



AIR SHUTTER ADJUSTMENT
Fully Open = Propane/LP Gas
1/4" Open = Natural Gas

Figure 56 - Adjusting Air Shutter

PILOT ORIFICE CONVERSION

- Remove pilot hood by pulling up until it disengages from barrel. Do not remove retainer clip (see Figure 57).
- Remove pilot orifice from inside barrel using 5/32" allen wrench to unscrew orifice.
- Replace pilot orifice with LP orifice supplied with kit. The number 30 is stamped on the sleeve for identification. Insert small end of new pilot orifice into barrel and thread until tight with allen wrench.
- Line up notch on pilot hood to positioning tab on barrel receiver and snap into position. **IMPORTANT:** Be careful not to bend or kink aluminum tubing during conversion. Make sure pilot hood and orifice are properly mated and aligned after finishing the conversion.

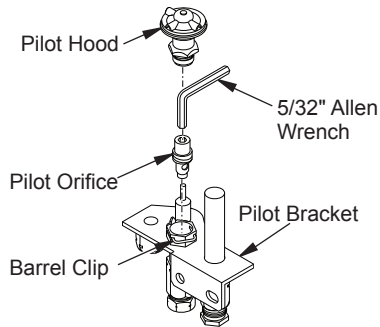


Figure 57 - Converting Pilot Orifice

CONVERSION INSTRUCTIONS

Continued

GAS CONTROL CONVERSION

Convert the gas control by swapping out the valve regulator portion of the gas valve.

1. Using a Torx T20 or slotted screwdriver, remove and discard the three mounting screws, pressure regulator tower, and diaphragm/spring components (see Figure 58).
2. Insure that the rubber gasket is properly positioned on the new pressure regulator assembly. Install LP pressure regulator assembly to valve using the new mounting screws supplied with the kit. Tighten screws securely (approximately 25 in-lbs.) (see Figure 59).
3. Install the identification label enclosed with the gas valve regulator to the valve body, where it can easily be seen (see Figure 59).

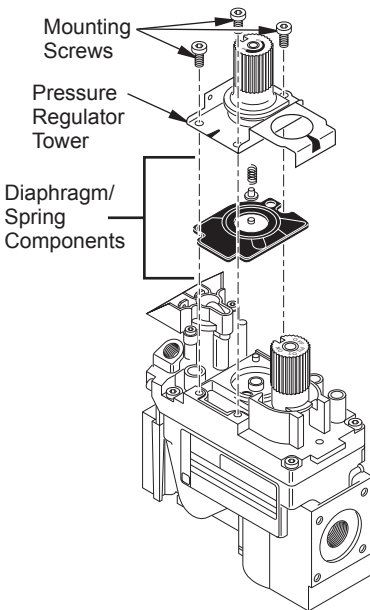


Figure 58 - Removing Mounting Screws, Regulator, Tower, and Diaphragm/Spring Components

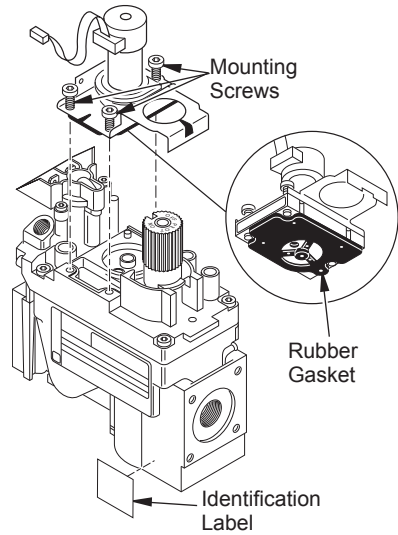


Figure 59 - Installing Pressure Regulator Assembly

CLEANING AND MAINTENANCE

⚠ WARNING: Turn off fireplace and let cool before cleaning.

⚠ CAUTION: You must keep control areas, burners and circulating air passageways of fireplace clean. Inspect these areas of fireplace before each use. Have fireplace inspected yearly by a qualified service person. Fireplace may need more frequent cleaning due to excessive lint from carpeting, bedding material, pet hair, etc.

GLASS DOOR

⚠ WARNING: Handle glass door panel with care. Do not strike, slam or otherwise abuse glass. Do not operate fireplace with the glass door unlatched, removed, cracked or broken.

CLEANING AND MAINTENANCE

Continued

⚠ WARNING: Do not use abrasive cleaners as this may damage glass. Use a nonabrasive household glass cleaner to clean glass. Do not clean glass when hot.

Glass must be cleaned periodically. During start up it is normal for condensation to form on the inside of the glass causing lint, dust and other airborne particles to cling to the glass surface. During initial start up a slight film may form on the glass due to paint curing. The glass should be cleaned several times with a non-ammonia, nonabrasive household cleaner and warm water after the first two weeks of operation. Thereafter, clean the glass two or three times during each heating season, depending on the usage and circumstances present. Refer to *Removing/Replacing Glass Door*, page 25 of this manual when removing glass door for cleaning.

⚠ WARNING: Only parts supplied by the manufacturer should be used when replacing broken or damaged glass door panel (see *Replacement Parts*, page 38). This glass door panel is a complete unit. No substitute materials may be used.

⚠ CAUTION: Wear gloves and safety glasses while handling or removing broken glass. Do not remove if glass is hot. Keep children and pets away from glass.

If glass has been broken, carefully remove glass door (see *Removing/Replacing Glass Door*, page 25). Vacuum all glass pieces with a shop vac.

⚠ CAUTION: Do not vacuum if pieces are hot.

Use only the tempered glass door replacement intended for this fireplace (see *Replacement Parts*, page 38 for detail on ordering). No substitutions may be made. See *Removing/Replacing Glass Door*, page 25 for instructions for replacing glass door.

⚠ WARNING: Do not operate fireplace with the glass door unlatched, removed, cracked or broken.

PILOT AND BURNERS

- Remove ember material before cleaning burners and replace when cleaning is complete.
- Burner and controls should be cleaned with compressed air to remove dust, dirt or lint.
- Use a vacuum cleaner or small, soft bristled brush to remove excess dust, dirt or lint.

LOGS

- If you remove logs for cleaning, refer to *Installing Logs, Lava Rock and Glowing Embers*, page 27, to properly replace logs.
- Use a vacuum cleaner to remove any carbon buildup on logs.
- Replace log(s) if broken. See *Replacement Parts* on page 38.
- Replace ember material periodically as needed. See *Replacement Parts* on page 38.

VENTING SYSTEM

Conduct annual inspection of the venting system following these guidelines:

1. Check areas of venting system that are exposed to the weather for corrosion (rust spots or streaks and, in extreme cases, holes). Have these items replaced immediately by a qualified service person.
2. Remove the vent cap and shine a flashlight into the vent. Remove any foreign material.
3. Check for evidence of excessive condensation. Continuous condensation can cause corrosion of caps, pipes and fittings and can be caused by having excessive lateral runs, too many elbows or exterior portions of the system being exposed to cold weather.
4. Inspect joints to verify that no pipe section or fitting has been disturbed and loosened. Check mechanical supports such as wall straps for rigidity.

TROUBLESHOOTING

⚠ WARNING: Turn off heater and let cool before servicing. Only a qualified service person should service and repair heater.

⚠ CAUTION: Never use a wire, needle or similar object to clean pilot. This can damage pilot unit.

Note: All troubleshooting items are listed in order of operation.

The two most common causes of a malfunctioning gas appliance are:

1. Loose wiring connections
2. Construction debris clogging the pilot and/or gas control valve filter

OBSERVED PROBLEM	POSSIBLE CAUSE	REMEDY
When ignitor button is pressed, there is no spark at pilot	1. Ignitor electrode not connected to ignitor cable	1. Reconnect ignitor cable
	2. Ignitor cable pinched or wet	2. Free ignitor cable if pinched by any metal or tubing. Keep ignitor cable dry
	3. Piezo ignitor nut is loose	3. Tighten nut holding piezo ignitor. Nut is located behind the mounting bracket
	4. Broken ignitor cable	4. Replace ignitor cable
	5. Bad piezo ignitor	5. Replace piezo ignitor
	6. Ignitor electrode broken	6. Replace pilot assembly
	7. Ignitor electrode positioned wrong	7. Tighten electrode. Replace if necessary
When ignitor button is pressed, there is spark at pilot but no ignition	1. Gas supply turned off or equipment shutoff valve closed	1. Turn on gas supply or open equipment shutoff valve
	2. Gas control knob not in PILOT position	2. Turn gas control knob to PILOT position
	3. Gas control knob not pressed in while in PILOT position	3. Press in gas control knob while in PILOT position
	4. Air in gas lines when installed	4. Continue holding down control knob. Repeat igniting operation until air is removed
	5. Depleted gas supply (propane/LP models only)	5. Contact local propane/LP gas company
	6. Pilot is clogged	6. Clean pilot (see <i>Cleaning and Maintenance</i> , page 33) or replace pilot assembly
	7. Gas regulator setting is not correct	7. Replace gas regulator

TROUBLESHOOTING

Continued

OBSERVED PROBLEM	POSSIBLE CAUSE	REMEDY
Pilot lights but flame goes out when control knob is released	<ol style="list-style-type: none"> 1. Gas control knob not fully pressed in 2. Gas control knob not pressed in long enough 3. Equipment shutoff valve not fully open 4. Pilot flame not touching thermocouple, which allows thermocouple to cool, causing pilot flame to go out. This problem could be caused by one or both of the following: A) Low gas pressure B) Dirty or partially clogged pilot 5. Thermocouple connection loose at control valve 6. Thermocouple damaged 7. Control valve damaged 	<ol style="list-style-type: none"> 1. Press in gas control knob fully 2. After pilot lights, keep gas control knob pressed in 30 seconds 3. Fully open equipment shutoff valve 4. A) Contact local natural or propane/LP gas company B) Clean pilot (see <i>Cleaning and Maintenance</i>, page 33) or replace pilot assembly 5. Hand tighten until snug, then tighten 1/4 turn more 6. Replace pilot assembly 7. Replace control valve
Burner does not light after pilot is lit	<ol style="list-style-type: none"> 1. Burner orifice clogged 2. Inlet gas pressure is too low 3. Thermopile leads disconnected or improperly connected 4. Thermopile is defective 	<ol style="list-style-type: none"> 1. Clean burner (see <i>Cleaning and Maintenance</i>, page 33) or replace burner orifice 2. Contact local propane/LP or natural gas company 3. Reconnect leads to TP & TPTH terminals on control valve 4. Replace thermopile
Delayed ignition burner	<ol style="list-style-type: none"> 1. Manifold pressure is too low 2. Burner porting or orifice clogged 	<ol style="list-style-type: none"> 1. Contact local propane/LP or natural gas company 2. Clean burner (see <i>Cleaning and Maintenance</i>, page 33) or replace burner orifice
Burner backfiring during combustion	<ol style="list-style-type: none"> 1. Burner orifice is clogged or damaged 2. Damaged burner 3. Gas regulator defective 	<ol style="list-style-type: none"> 1. Clean burner (see <i>Cleaning and Maintenance</i>, page 33) or replace burner orifice 2. Replace damaged burner 3. Replace gas control
Slight smoke or odor during initial operation	<ol style="list-style-type: none"> 1. Residues from manufacturing processes and logs curing 	<ol style="list-style-type: none"> 1. Problem will stop after a few hours of operation
Heater produces a whistling noise when burner is lit	<ol style="list-style-type: none"> 1. Turning gas control knob to HI position when burner is cold 2. Air in gas line 3. Dirty or partially clogged burner orifice 	<ol style="list-style-type: none"> 1. Turn gas control knob to LO position and let warm up for a minute 2. Operate burner until air is removed from line. Have gas line checked by local propane/LP or natural gas company 3. Clean burner (see <i>Cleaning and Maintenance</i>, page 33) or replace burner orifice

TROUBLESHOOTING

Continued



WARNING: If you smell gas

- Shut off gas supply.
- Do not try to light any appliance.
- Do not touch any electrical switch; do not use any phone in your building.
- Immediately call your gas supplier from a neighbor's phone. Follow the gas supplier's instructions.
- If you cannot reach your gas supplier, call the fire department.

OBSERVED PROBLEM	POSSIBLE CAUSE	REMEDY
Glass soots	<ol style="list-style-type: none">1. Flame impingement on logs2. Debris around burner air mixer	<ol style="list-style-type: none">1. Adjust the log set so the flame does not excessively impinge on it2. Inspect the opening at the base of the burner to see that it is not packed with any type of material
Fireplace produces a clicking/ticking noise just after burners are lit or shut off	<ol style="list-style-type: none">1. Metal expanding while heating or contracting while cooling	<ol style="list-style-type: none">1. This is common. If noise is excessive, contact qualified service person
Remote does not function	<ol style="list-style-type: none">1. Battery is not installed or battery is power is low	<ol style="list-style-type: none">1. Replace 9-volt batteries in receiver and hand-held remote control
Fireplace produces unwanted odors	<ol style="list-style-type: none">1. Gas leak. See Warning statement above	<ol style="list-style-type: none">1. Locate and correct all leaks (see <i>Checking Gas Connections</i>, page 24)
Fireplace shuts off in use	<ol style="list-style-type: none">1. High or gusting winds2. Low line pressure3. Pilot is partially clogged4. Inner vent pipe leaking exhaust gases into system5. Glass is too loose and air tight gasket leaks in corners after usage6. Bad thermopile or thermocouple7. Vent cap improperly installed or blocked	<ol style="list-style-type: none">1. Fireplace has been tested for up to 40 mph winds. However, extreme conditions may occur. See <i>Lighting Instructions</i> on page 282. Check local propane/LP or natural gas company3. Clean pilot (see <i>Cleaning and Maintenance</i>, page 33)4. Locate and correct all vent connections (see <i>Installation Planning</i>, page 11)5. Tighten or replace glass door (see <i>Removing/Replacing Glass Door</i>, page 25)6. Replace faulty components7. Check for proper installation or remove debris or blockage

TROUBLESHOOTING

Continued

OBSERVED PROBLEM	POSSIBLE CAUSE	REMEDY
Gas odor even when control knob is in OFF position	1. Gas leak. See Warning statement on page 37	1. Locate and correct all leaks (see <i>Checking Gas Connections</i> , page 24)
Gas odor during combustion	1. Gas leak. See Warning statement on page 37	1. Locate and correct all leaks (see <i>Checking Gas Connections</i> , page 24)
Dark residue on logs or inside of fireplace	1. Improper log placement 2. Air holes at burner inlet blocked 3. Burner flame holes blocked 4. Improper venting or excessive blockage 5. Excessive amounts of embers and pan material	1. Properly locate logs (see <i>Installing Logs, Lava Rock, and Glowing Embers</i> , page 27) 2. Clean out air holes at burner inlets. Periodically repeat as needed 3. Remove blockage or replace burner 4. Have the vent system inspected, including the termination cap. Remove any restrictions or blockage 5. Clear excess embers from around the rear main ports. Use a minimum of one layer of smaller ember pieces to achieve the best glowing effect over the visible areas

SPECIFICATIONS

CD36TN-M Natural Gas

- Rating: 15,000/21,000 Btu/hr
- Gas Type: Natural Gas Only
- Ignition: Millivolt
- Manifold Pressure: below 2000 ft. elevation - 3.5" w.c. (0.87 kPa)
- Orifice Size (Main Burner): #44 DMS (0.086")
- Minimum Inlet Supply Pressure: 5.5" w.c. (1.1 kPa)
- Firebox Dimensions (HxWxD) (Flanges and Standoffs Not Included in Measurement): 35 3/4" x 36 1/4" x 14 3/4"

CD36TN-M Propane/LP Gas

- Rating: 13,000/20,000 Btu/hr
- Gas Type: Propane/LP Gas Only
- Ignition: Millivolt
- Manifold Pressure: 10.0" w.c. (2.5 kPa)
- Orifice Size (Main Burner): #55 DMS (0.052")
- Minimum Inlet Supply Pressure: 11.0" w.c. (2.7 kPa)
- Firebox Dimensions (HxWxD) (Flanges and Standoffs Not Included in Measurement): 35 3/4" x 36 1/4" x 14 3/4"

REPLACEMENT PARTS

Note: Use only original replacement parts. This will protect your warranty coverage for parts replaced under warranty.

PARTS UNDER WARRANTY

Contact authorized retailers of this product. If they can not supply original replacement part(s), call DESA's Customer Service Department at 1-866-672-6040.

When calling DESA, have ready

- your name
- your address
- model and serial numbers of your fireplace
- how fireplace was malfunctioning
- type of gas used (propane/LP or natural gas)
- purchase date

Usually, we will ask you to return the part to the factory.

PARTS NOT UNDER WARRANTY

Contact authorized retailers of this product. If they can not supply original replacement part(s), call DESA at 1-866-672-6040 for referral information.

When calling DESA, have ready

- model number of your fireplace
- the replacement part number

SERVICE HINTS

When Gas Pressure Is Too Low

- pilot will not stay lit
- burners will have delayed ignition
- fireplace will not produce specified heat
- propane/LP gas supply might be low (propane/LP units only)

You may feel your gas pressure is too low. If so, contact your local gas supplier.

TECHNICAL SERVICE

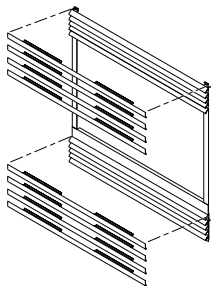
You may have further questions about installation, operation or troubleshooting. If so, contact DESA's Customer Service Department at 1-866-672-6040. When calling, please have your model and serial numbers of your heater ready.

You can also visit DESA's technical service web site at www.desatech.com.

ACCESSORIES

NOTE: All accessories may not be available for all fireplace models.

Purchase these fireplace accessories from your local retailer. If they can not supply these accessories, call DESA's Sales Department at 1-866-672-6040, for information. You can also write to the address listed on the back of this manual



LOUVER TRIM KITS (ROLLED LOUVERS ONLY)

LTC36B - Rolled Louver Trim Kit - Brushed Brass

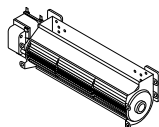
LTC36P - Rolled Louver Trim Kit - Platinum

WALL MOUNTED THERMOSTAT CONTROL KIT - GWMT1 (NOT SHOWN)

Allows easy wall access for thermostatic operation of your fireplace.

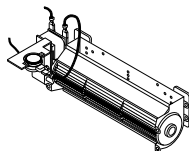
WALL MOUNTED ON/OFF SWITCH GWMS2 (NOT SHOWN)

Allows burner system to be turned on and off with a wall switch.



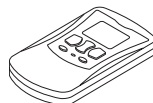
MANUAL BLOWER KIT - BK

Manual variable control blower accessory provides better heat distribution. Complete installation and operating instructions included in this manual.



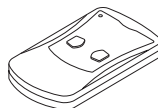
THERMOSTATICALLY - CONTROLLED BLOWER KIT - BKT

Provides better heat distribution Blower turns off and on automatically, as needed. Complete installation and operating instructions included in this manual.



RECEIVER AND HAND-HELD THERMOSTAT REMOTE CONTROL KIT - HRC200 SERIES

Allows fireplace to be operated manually or thermostatically-controlled mode. You can adjust your heat settings and turn the fireplace on or off without leaving the comfort of your easy chair. A wall mount docking station is included.

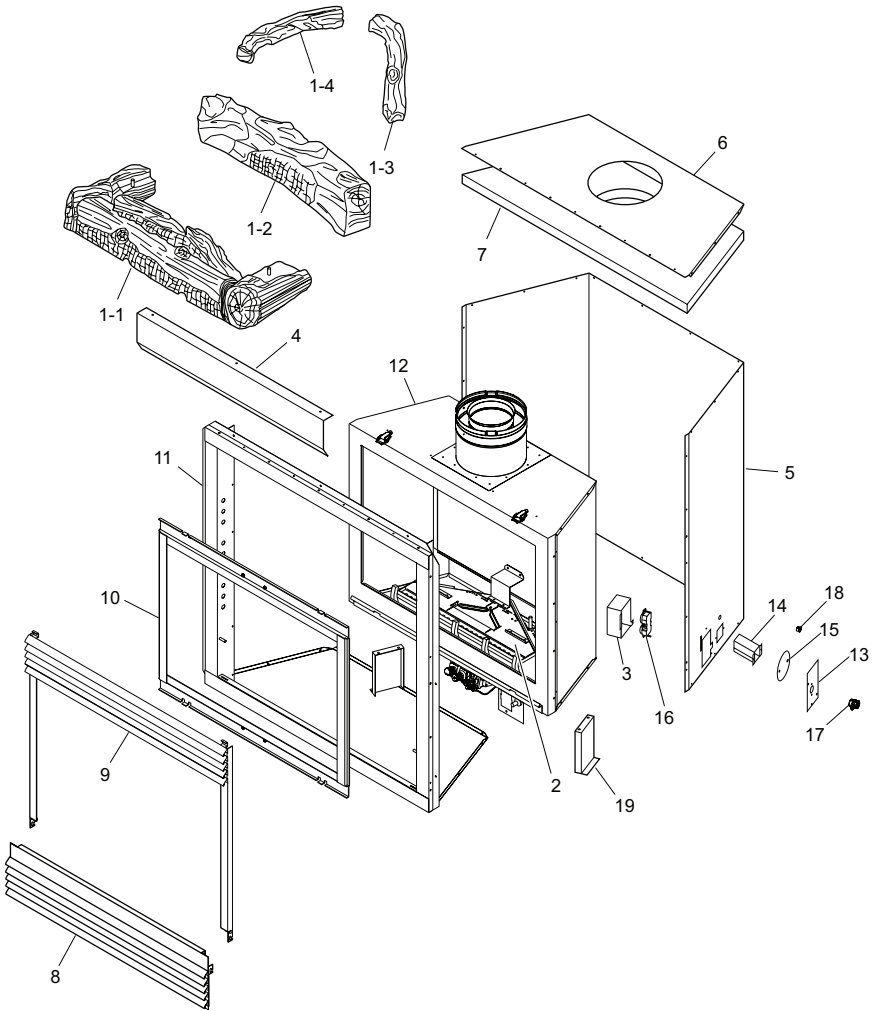


RECEIVER AND HAND-HELD ON/OFF REMOTE CONTROL KIT - HRC100 SERIES

Allows the fireplace to be turned on and off conveniently. A wall mount docking station is included.

ILLUSTRATED PARTS BREAKDOWN

FIREPLACE ASSEMBLY FOR MODEL CD36TN-M



PARTS LIST

FIREPLACE ASSEMBLY FOR MODEL CD36TN-M

This list contains replaceable parts used in your fireplace. When ordering parts, follow the instructions listed under *Replacement Parts* on page 38 of this manual.

KEY			
NO.	PART NO.	DESCRIPTION	QTY.
1	116108-01	Log Set	1
1-1	116109-01	Burner Base Log	1
1-2	116110-01	Rear Log	1
1-3	111802-05	Right Top Log	1
1-4	111802-04	Left Top Log	1
2	115615-01	Burner Assembly Complete	1
3	114889-01	Junction Box Duplex Plug	1
4	114880-01	Heat Deflector	1
5	114875-02	Fireplace Surround	1
6	114876-02	Fireplace Top	1
7	116016-02	Fireplace Top Insulation	1
8	114873-01	Louver Bottom Assembly	1
9	114872-01	Louver Top Assembly	1
10	114871-01	Glass Door Assembly	1
11	114867-01	Face Assembly	1
12	**	Firebox Assembly Complete	1
13	110973-01	Cover Junction Box	2
14	24460	Gas Conduit Assembly	2
15	21171	Gas Knock-Out Cover	2
16	14418	Duplex Plug Receptacle	1
17	14123	Bushing Universal Strain Relief	1
18	11408	Bushing 0.5" Electric	2
19	26290	Firebox Leg	2

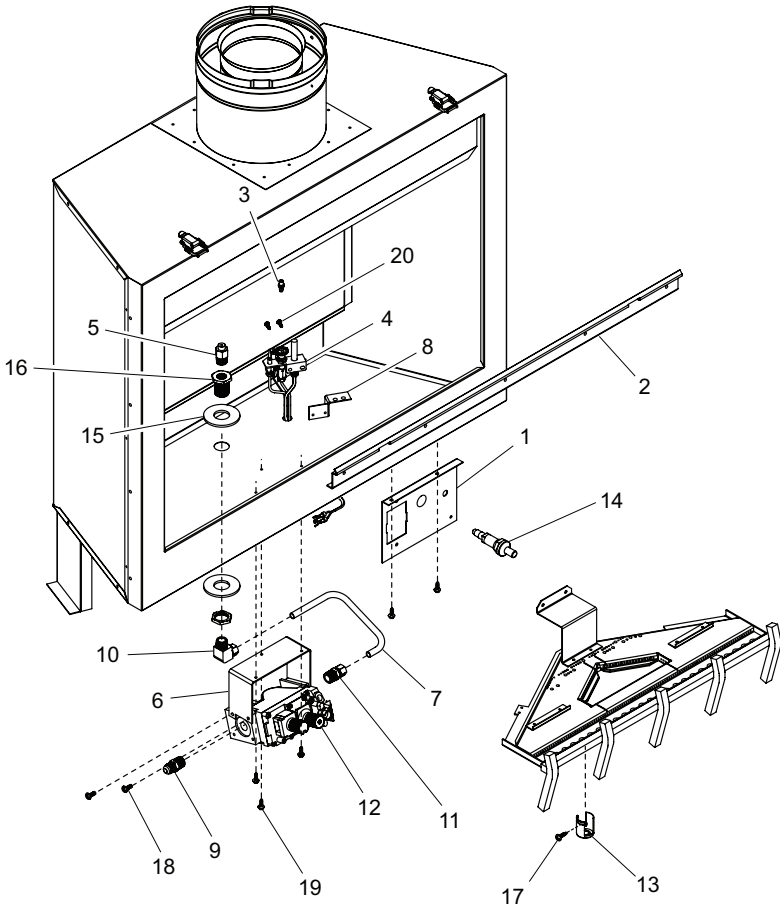
PARTS AVAILABLE - NOT SHOWN

	25580	Ember Bag Assembly	1
	27253	Notice Label	1
	55240	Vent Label	1
	118532-01	LP Gas Conversion Kit	1

** Not a field replaceable part.

ILLUSTRATED PARTS BREAKDOWN

BURNER ASSEMBLY FOR MODEL CD36TN-M



PARTS LIST

BURNER ASSEMBLY FOR MODEL CD36TN-M

This list contains replaceable parts used in your fireplace. When ordering parts, follow the instructions listed under *Replacement Parts* on page 38 of this manual.

KEY NO.	PART NO.	DESCRIPTION	QTY.
1	116317-01	Remote Ignitor Bracket	1
2	114886-01	Door Retainer Bracket	1
3	108085-01	Pilot Orifice #51 - Natural Gas	1
	108085-02	Pilot Orifice #30 - Propane/LP Gas	1
4	108084-02	Pilot Assembly - Natural Gas	1
	108084-03	Pilot Assembly - Propane/LP Gas	1
5	27206	Burner Orifice #44 - Natural Gas	1
	26482	Burner Orifice #55 - Propane/LP Gas	1
6	26808	Valve Bracket	1
7	24389	Tube 3/8" Dia. x 11" Aluminum	1
8	24360	Pilot Bracket	1
9	14500	Fitting 3/8" MPT x 1/2" Flare	1
10	14399	Fitting Brass Elbow 3/8" MPT x 3/8" Comp. Tube	1
11	14396	Fitting Brass Straight 3/8" MPT x 3/8" Comp. Tube	1
12	14389	Control Valve Millivolt - Natural Gas	1
	14390	Control Valve Millivolt - Propane/LP Gas	1
13	14299	Air Shutter	1
14	14261	Ignitor Piezo	1
15	11226	Washer, Flat 7/8" ID x 2" OD x 1/8" Thick	2
16	11214	Fitting, Bulkhead w/ Nut, Brass	1
17	11187	Screw, #8 x 1/4" PPH	1
18	11107	Screw, #10-32 x 1/4" PPH Zinc	4
19	11105	Screw, #10 x 1/2" HWH LGM Zinc	10
20	11102	Screw, #8 x 3/8" PPH F Zinc.	2

WARRANTY INFORMATION

KEEP THIS WARRANTY

Model _____
Serial No. _____
Date Purchased _____

Always specify model and serial numbers when communicating with the factory.

We reserve the right to amend these specifications at any time without notice. The only warranty applicable is our standard written warranty. We make no other warranty, expressed or implied.

LIMITED WARRANTY

DIRECT-VENT FIREPLACE

DESA warrants this product to be free from defects in materials and components for two (2) years from the date of first purchase, provided that the product has been properly installed, operated and maintained in accordance with all applicable instructions. To make a claim under this warranty the Bill of Sale or cancelled check must be presented.

This warranty is extended only to the original retail purchaser. This warranty covers the cost of part(s) required to restore this heater to proper operating condition and an allowance for labor when provided by a DESA Authorized Service Center. Warranty part(s) MUST be obtained through authorized retailers of this product and/or DESA who will provide original factory replacement parts. Failure to use original factory replacement parts voids this warranty. The heater MUST be installed by a qualified installer in accordance with all local codes and instructions furnished with the unit.

This warranty does not apply to parts that are not in original condition because of normal wear and tear or parts that fail or become damaged as a result of misuse, accidents, lack of proper maintenance or defects caused by improper installation. Travel, diagnostic cost, labor, transportation and any and all such other costs related to repairing a defective heater will be the responsibility of the owner.

TO THE FULL EXTENT ALLOWED BY THE LAW OF THE JURISDICTION THAT GOVERNS THE SALE OF THE PRODUCT; THIS EXPRESS WARRANTY EXCLUDES ANY AND ALL OTHER EXPRESSED WARRANTIES AND LIMITS THE DURATION OF ANY AND ALL IMPLIED WARRANTIES, INCLUDING WARRANTIES OF MERCHANTABILITY AND FITNESS FOR A PARTICULAR PURPOSE TO TWO (2) YEARS ON ALL COMPONENTS FROM THE DATE OF FIRST PURCHASE; AND DESA'S LIABILITY IS HEREBY LIMITED TO THE PURCHASE PRICE OF THE PRODUCT AND DESA SHALL NOT BE LIABLE FOR ANY OTHER DAMAGES WHATSOEVER INCLUDING INDIRECT, INCIDENTAL OR CONSEQUENTIAL DAMAGES.

Some states do not allow a limitation on how long an implied warranty lasts or an exclusion or limitation of incidental or consequential damages, so the above limitation on implied warranties or exclusion or limitation on damages may not apply to you.

This warranty gives you specific legal rights and you may also have other rights that vary from state to state.

For information about this warranty write:



2701 Industrial Drive
P.O. Box 90004
Bowling Green, KY 42102-9004
www.desatech.com



118531 01

NOT A UPC

118531-01
Rev. A
01/06

Free Manuals Download Website

<http://myh66.com>

<http://usermanuals.us>

<http://www.somanuals.com>

<http://www.4manuals.cc>

<http://www.manual-lib.com>

<http://www.404manual.com>

<http://www.luxmanual.com>

<http://aubethermostatmanual.com>

Golf course search by state

<http://golfingnear.com>

Email search by domain

<http://emailbydomain.com>

Auto manuals search

<http://auto.somanuals.com>

TV manuals search

<http://tv.somanuals.com>