



MODELS: VCBK4R & VCBK4L FAN KIT

INSTALLATION AND OPERATING INSTRUCTIONS

INSTALLING BLOWER BEFORE MOUNTING FIREPLACE

Note: Fireplace must be properly connected to a 110V power source before blower can be operated.

1. Remove large knockout tab (see Figure 1).
2. Align two holes on side of rectangular bracket with two holes on side frame. Secure with screws provided (see Figure 7).
3. Place blower assembly in fireplace and plug male electrical connector into female connector already in fireplace. Make sure

rocker switch wire protrudes through notch in fireplace side (see Figure 2). Connect wires with rocker switch.

4. Take four sheet metal screws provided and secure blower assembly to fireplace through holes (see Figure 3). Blower should now be in place and look similar to Figure 4.

Note See instructions on reverse side if FULL VIEW glass doors are installed.

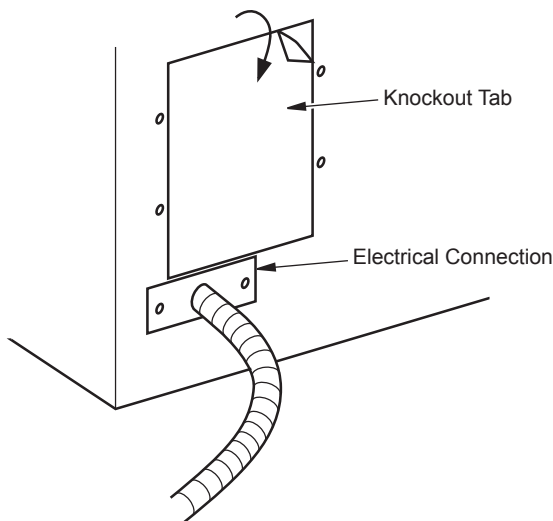


Figure 1

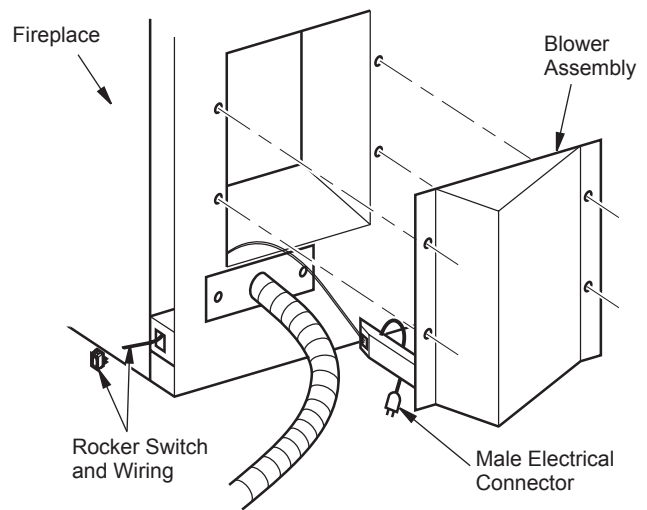


Figure 2

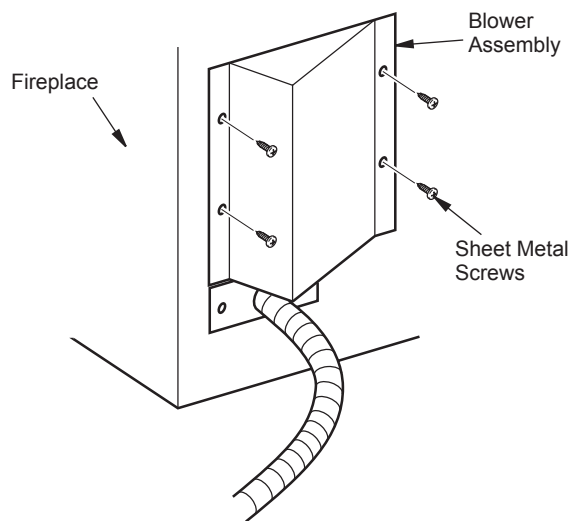


Figure 3

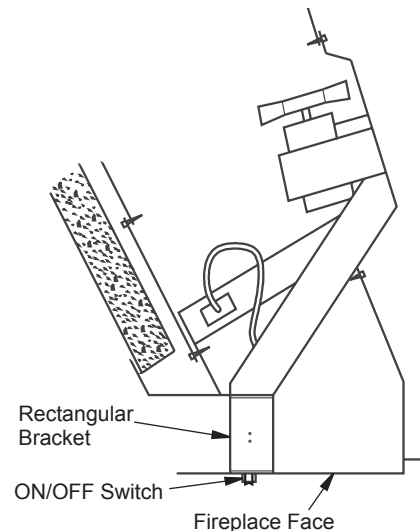


Figure 4

INSTALLING BLOWER AFTER MOUNTING THE FIREPLACE

Note: Fireplace must be properly connected to a 110V power source before blowers can be operated.

1. Remove three screws that secure side brick retainers. Pull out side brick exposing blower cover plate on right side of fireplace (see Figure 5).
2. Remove blower cover plate (see Figure 6).

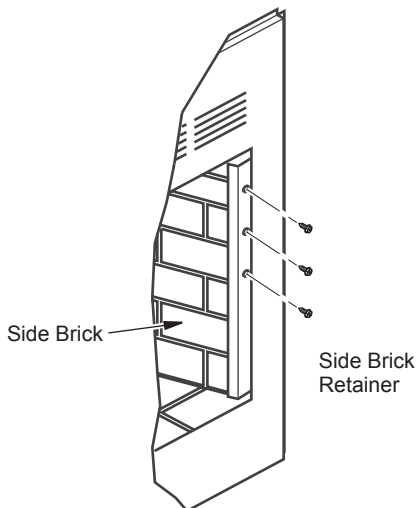


Figure 5

3. Place blower assembly through hole in firebox. Make sure wire protrudes through notch in fireplace side. Align two holes on side of rectangular bracket with two holes on side frame. Secure with screws provided (see Figure 7). Blower assembly should now look similar to Figure 8.
4. Before replacing blower cover plate, plug male electrical connector on blower assembly into female socket already in fireplace. Replace blower cover plate, side brick and retainer before using fireplace.

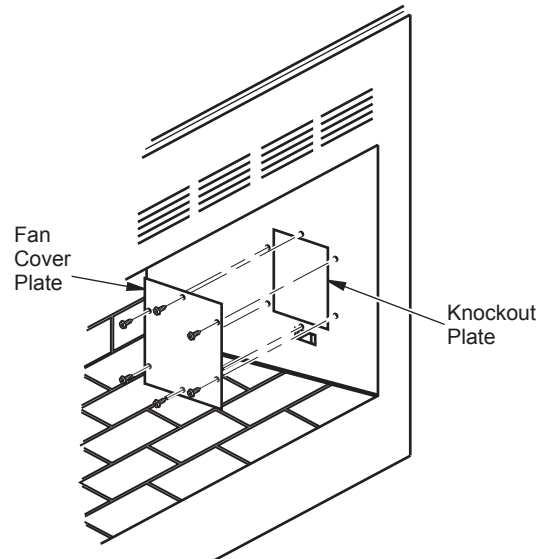


Figure 6

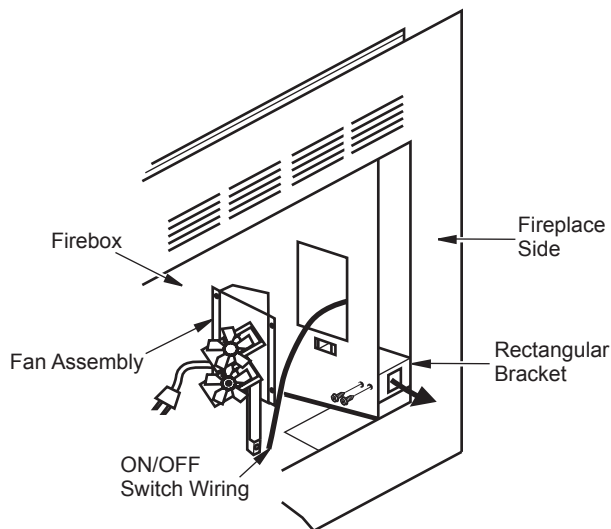


Figure 7

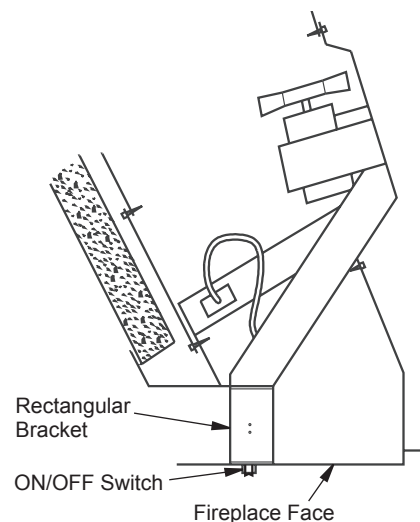


Figure 8

SPECIAL INSTRUCTIONS FOR GLASS DOORS

If doors are installed, it is necessary to remove the right door and side frame. To remove door, press upper hinge spring in door track and slide track and slide door assembly to the left. To remove side door frame, remove top and lower most hex head screws securing frame.



56105

NOT A UPC

DESA

2701 Industrial Drive
P.O. Box 90004
Bowling Green, KY 42102-9004

For more information, visit www.desatech.com

56105
Rev. C
01/06

Free Manuals Download Website

<http://myh66.com>

<http://usermanuals.us>

<http://www.somanuals.com>

<http://www.4manuals.cc>

<http://www.manual-lib.com>

<http://www.404manual.com>

<http://www.luxmanual.com>

<http://aubethermostatmanual.com>

Golf course search by state

<http://golfingnear.com>

Email search by domain

<http://emailbydomain.com>

Auto manuals search

<http://auto.somanuals.com>

TV manuals search

<http://tv.somanuals.com>