



W21TP and W21TO Mantel and Base ASSEMBLY AND INSTALLATION INSTRUCTIONS



IMPORTANT: Read entire instruction sheet before assembling or installing mantel kit.

These mantels are only approved for use with any DESA Heating, LLC 21" or 23" electric and gas fireplace system. Do not use mantel with any other product.

This mantel kit contains the following:

- Mantel pieces - unassembled and numbered as follows:
 - #1 Base
 - #2 Right Side Assembly
 - #3 Left Side Assembly
 - #4 Header
 - #5 Top
- Hardware Package
 - 16 - 1 1/4" Wood Screws 114325-01
 - * Extra hardware may be included

Tools required:

- Power Screwdriver with #2 Phillips Bit

If any wood pieces are missing or damaged, contact the dealer where you purchased this mantel for replacement. If hardware is missing or damaged, contact DESA Heating, LLC at 1-866-672-6040 for referral information. You can also visit DESA Heating, LLC's web site at www.desatech.com.

Note: Gather all mantel pieces together before assembling mantel.

⚠ WARNING: Only use 1 1/4" screws to assemble mantel. Damage to mantel will result if other screws are used for this purpose.

IMPORTANT: A serial number label is located inside of right side panel and on outside package. When calling to request technical assistance or for replacement parts please have serial number ready.

ASSEMBLING MANTEL

IMPORTANT: More than one person is required to lift assembled mantel. Lift mantel by leg assemblies. Lifting by header or mantel top could damage mantel.

Use the following illustrations to assemble mantel. Use only screws provided.

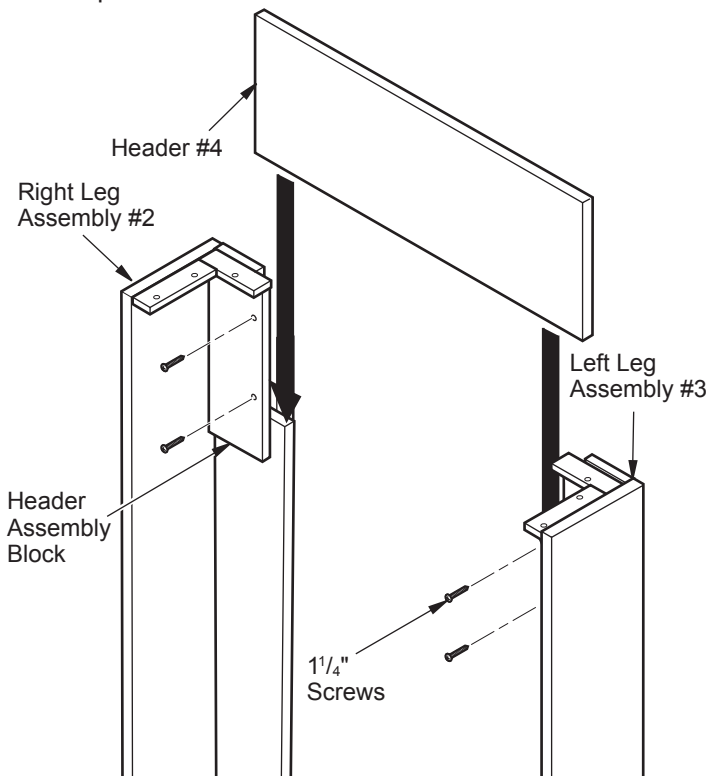


Figure 1 - Installing Header

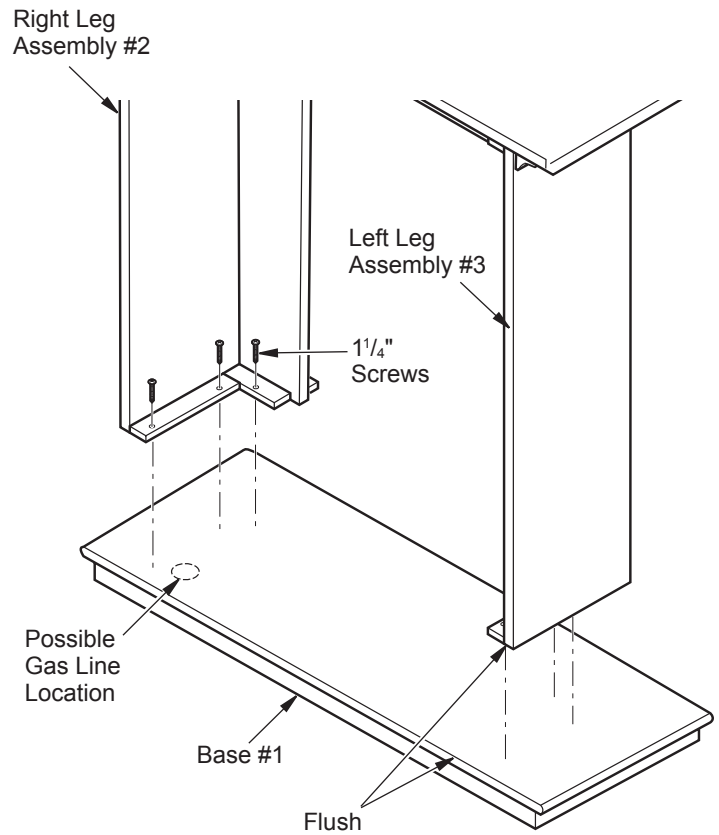


Figure 4 - Installing Mantel Base

IMPORTANT: Align mantel left to right on base before installing. Mantel legs must be flush with back of mantel base before installation. Use a tape measure to insure accuracy.

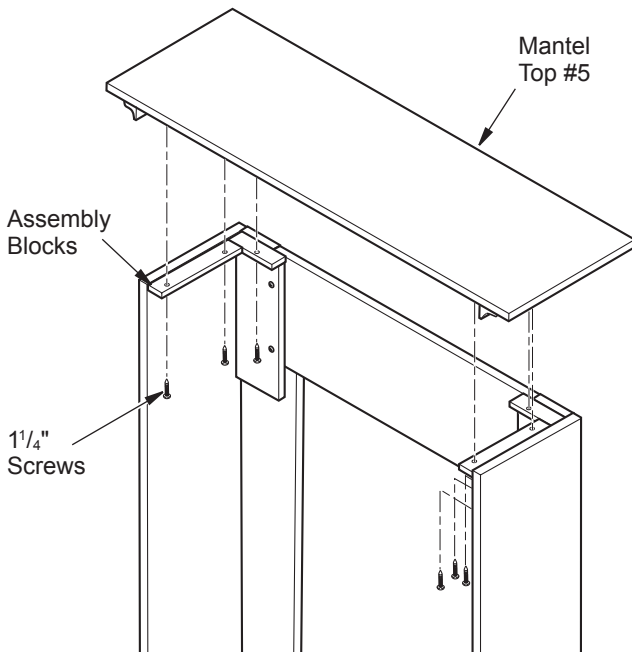


Figure 2 - Installing Top

IMPORTANT: Align mantel top left to right before installing. Back of mantel leg must be flush with back of mantel top before installation.

INSTALLING MANTEL WITH GAS FIREPLACE

1. Mantel must be installed flush with wall. Remove baseboard. Baseboard will prevent proper installation of mantel and base. Baseboard must be altered to fit mantel.
2. Place mantel against wall at installation location. Cut an access hole in hearth base to run gas line to fireplace (see Figure 4, page 2). Make sure to locate access hole so it is inside cabinet mantel.

Note: You can secure base to floor using wood screws. Countersink screw heads and putty over.

3. Route flexible gas line through access hole in hearth base.
4. Attach flexible gas line to fireplace gas regulator. See Connecting to Gas Supply in owner's manual.
5. Check all gas connections for leaks. See Checking Gas Connections in fireplace owner's manual.
6. Carefully insert fireplace into cabinet mantel (see Figure 5). Be careful not to scratch or damage hearth base or cabinet mantel. Use caution when positioning fireplace on base. Base may scratch easily.

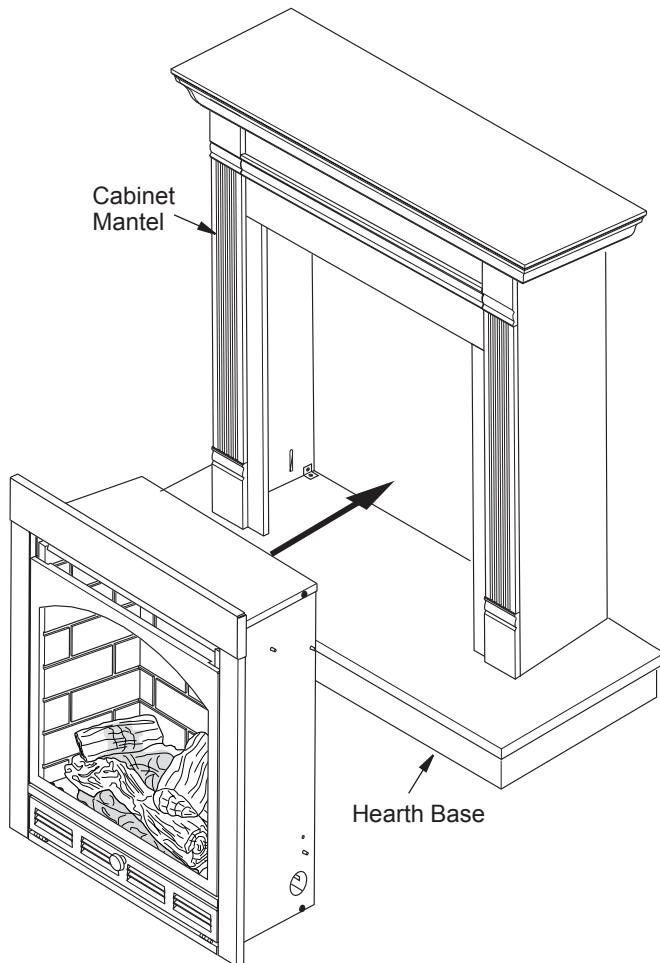


Figure 5 - Installing Fireplace into Mantel Assembly

INSTALLING MANTEL WITH ELECTRIC FIREPLACE

1. Mantel must be installed flush with wall. Remove baseboard. Baseboard will prevent proper installation of mantel and base. Baseboard must be altered to fit mantel.
2. Place mantel against wall at installation location.
3. Plug the power cord, located in the rear of the fireplace, into a 120 volt electric outlet.
4. Position electric fireplace inside mantel (see Figure 6). Use caution when positioning fireplace on base. Base may scratch easily.



Figure 6 - Installing Electric Fireplace with Trim Assembly



DESA Heating, LLC
2701 Industrial Drive
Bowling Green, KY 42101
www.desatech.com
1-866-672-6040



123751 01
NOT A UPC

123751-01
Rev. A
04/08

Free Manuals Download Website

<http://myh66.com>

<http://usermanuals.us>

<http://www.somanuals.com>

<http://www.4manuals.cc>

<http://www.manual-lib.com>

<http://www.404manual.com>

<http://www.luxmanual.com>

<http://aubethermostatmanual.com>

Golf course search by state

<http://golfingnear.com>

Email search by domain

<http://emailbydomain.com>

Auto manuals search

<http://auto.somanuals.com>

TV manuals search

<http://tv.somanuals.com>