

**Questions? See us on the World Wide Web at [www.dewalt.com](http://www.dewalt.com)**

**INSTRUCTION MANUAL  
GUIDE D'UTILISATION  
MANUAL DE INSTRUCCIONES**

INSTRUCTIVO DE OPERACIÓN, CENTROS DE SERVICIO Y PÓLIZA DE GARANTÍA. **ADVERTENCIA:** LÉASE ESTE INSTRUCTIVO ANTES DE USAR EL PRODUCTO.

---

# DEWALT®

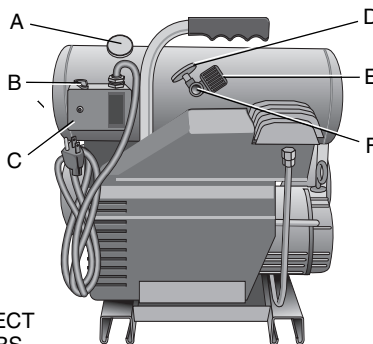
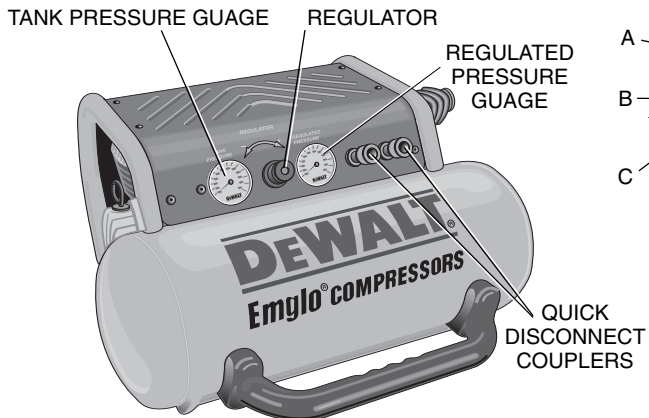
---

**D55150, D55151, D55152, D55153, D55155**

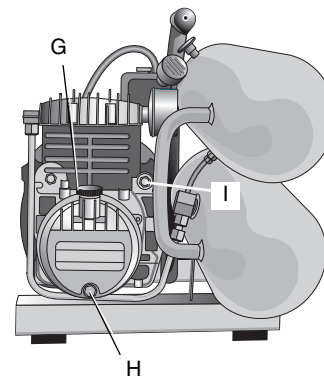
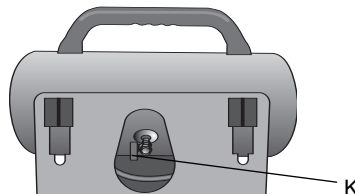
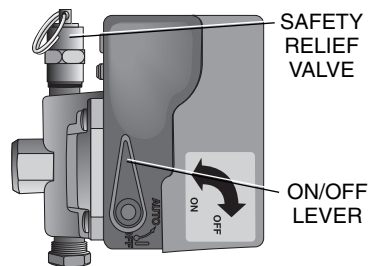
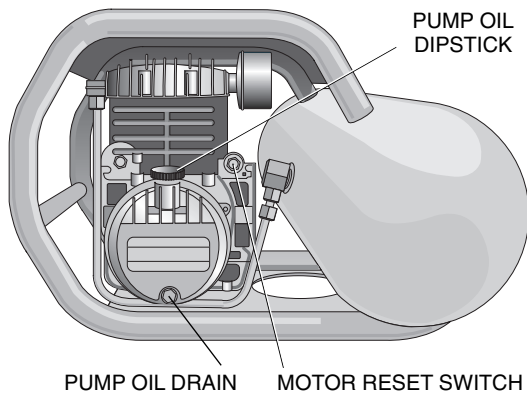
**Contractor's Electric 4 Gallon Hand Carry Air Compressor**

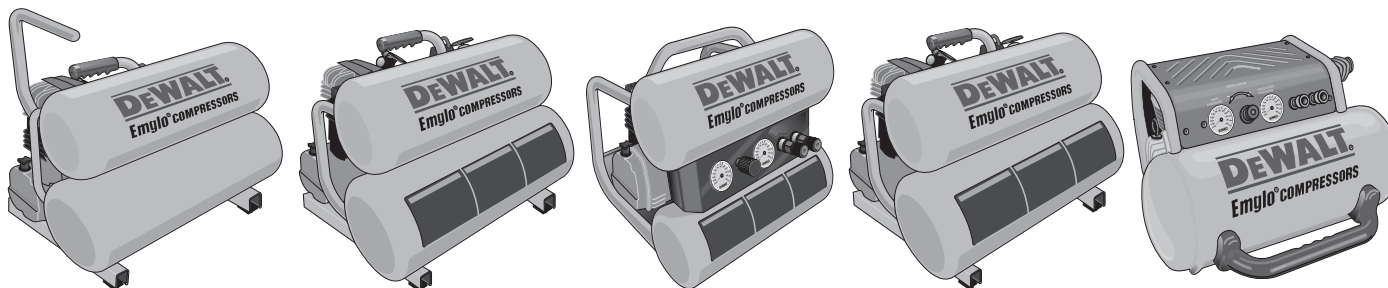
**Compresseurs d'air portatifs électriques de 4 gallons de classe entrepreneur**

**Compresor de aire portátil eléctrico de 4 galones para contratistas**



- A. TANK PRESSURE GAUGE
- B. ON/OFF LEVER
- C. PRESSURE SWITCH
- D. REGULATED PRESSURE GAUGE
- E. REGULATOR
- F. COUPLERS
- G. PUMP OIL FILL DIPSTICK
- H. PUMP OIL DRAIN
- I. MOTOR RESET SWITCH
- J. DRAIN VALVE
- K. SAFETY RELIEF VALVE





### SPECIFICATIONS

MODEL	D55150	D55151	D55152	D55153	D55155
<b>WEIGHT</b>	57 lbs.	56 lbs.	65 lbs.	58 lbs.	61 lbs.
<b>HEIGHT</b>	16.75 in.	16.75 in.	16.0 in.	16.75 in.	12.5 in.
<b>WIDTH</b>	18.0 in.	18.0 in.	18.0 in.	18.0 in.	21.75 in.
<b>LENGTH</b>	15.0 in.	15.0 in.	18.0 in.	15.0 in.	21.75 in.
<b>MOTOR</b>	1 HP (max), 120 V. 12 A. 60 Hz. 1725 RPM	2.5 HP (max), 120 V. 15 A. 60 Hz. 3450 RPM	2.75 HP (max), 120 V. 14 A. 60 Hz. 3450 RPM	2.75 HP (max), 120 V. 14 A. 60 Hz. 3450 RPM	2.75 HP (max), 120 V. 15 A. 60 Hz. 3450 RPM
<b>PUMP OIL</b>	4 oz.	6 oz.	12 oz.	12 oz.	4 oz.
<b>CFM/PSI</b>	4.0@40 3.9@60 3.3@90 3.1@100	4.3@40 3.9@60 3.3@90 3.2@100	5.1@40 4.6@60 4.0@90 3.8@100	5.1@40 4.6@60 4.0@90 3.8@100	5.4@40 5.1@60 4.6@90 4.5@100

**IF YOU HAVE ANY QUESTIONS OR COMMENTS ABOUT THIS OR ANY DEWALT TOOL, CALL US TOLL FREE AT 1-800-4-DEWALT (1-800-433-9258).**

**▲ WARNING! Read and understand all instructions before operating this compressor.** Failure to follow all instructions listed below may result in electric shock, fire and/or serious personal injury.

## SAVE THESE INSTRUCTIONS

### Safety Instructions

**▲ WARNING:** Some dust created by this product contains chemicals known to State of California to cause cancer, birth defects or other reproductive harm. Some examples of these chemicals are:

- compounds in fertilizers
- compounds in insecticides, herbicides and pesticides
- arsenic and chromium from chemically treated lumber

To reduce your exposure to these chemicals, wear approved safety equipment such as dust masks that are specially designed to filter out microscopic particles.

**▲ WARNING:** Use of this product will expose you to chemicals known to the State of California to cause cancer, birth defects and other reproductive harm. **Avoid inhaling vapors and dust, and wash hands after using.**

**▲ WARNING:** This product contains chemicals, including lead, known to the State of California to cause cancer, and birth defects or other reproductive harm. **Wash hands after handling.**

The user of the air compressor must understand these instructions. Each person operating the air compressor must be of sound mind and body and must not be under the influence of any substance which might impair vision, dexterity, or judgement.

### AIR TANK

The tank on your Air Compressor is designed and may be UM coded (for units with tanks greater than 6 inch diameter) according to ASME Section VIII, Div. 1 rules. All pressure vessels must be inspected once every two years. To find your state pressure vessel inspector, look under the Division of Labor and Industries in the government section of a phone book or call 1-800-4DEWALT for assistance.

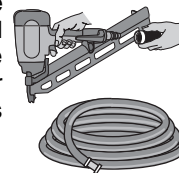


The following conditions could lead to a weakening of the tank, and result in a violent tank explosion:

1. **Failure to properly drain condensed water from the tank, causing rust and thinning of the steel tank.** Drain tank daily or after each use. If tank develops a leak, replace it immediately with a new tank or new compressor outfit.
2. **Modifications or attempted repairs to the compressor tank.** Never drill into, weld, or make any modifications to the tank or its attachments.
3. **Modifications of the pressure switch, safety valve, or any other components that control tank pressure.** The tank is designed to withstand specific operating pressures. Never make adjustments or substitute parts to alter the factory set operating pressures.

### ATTACHMENTS & ACCESSORIES

Exceeding the pressure rating of air tools, spray guns, air operated accessories, tires and other inflatables can cause them to explode or fly apart, resulting in serious injury. Follow the equipment manufacturers recommendation and never exceed the maximum allowable pressure rating of attachments. Never use the compressor to inflate small, low-pressure objects such as children's toys, footballs, basketballs, etc..



**RISK OF EXPLOSION OR FIRE**

It is normal for electrical contacts within the motor and pressure switch to spark. Always operate the compressor in a well-ventilated area free of combustible materials, gasoline or solvent vapors. If electrical sparks from compressor come into contact with flammable vapors, they may ignite, causing fire or explosion. When spraying flammable materials, locate compressor at least 20 feet upwind from spray area. An additional length of hose may be required.

Store flammable materials in a secure location away from the compressor.

Restricting any of the compressor ventilation openings will cause serious overheating and could cause fire. Never place objects against or on top of compressor. Operate the compressor in an open area at least 3 feet away from any wall or obstruction that would restrict the flow of fresh air to the ventilation openings.

**RISK OF ELECTRICAL SHOCK**

Your air compressor is powered by electricity. If it is not used properly it could cause electric shock. Never operate the compressor outdoors when it is raining or in wet conditions.

Never operate compressor with guards or protective covers that are damaged or removed. Repairs by anyone other than qualified personnel can result in serious injury or death by electrocution. Any electrical wiring or repairs required on this product should be performed by authorized service center personnel in accordance with national and local electrical codes.

**GROUNDING INSTRUCTIONS**

In the event of a malfunction or breakdown, grounding provides a path of least resistance for electric current to reduce the risk of



electric shock. This tool is equipped with an electric cord having an equipment-grounding conductor and grounding plug. The plug must be plugged into a matching outlet that is properly installed and grounded in accordance with all local codes and ordinances. Do not modify plug provided: if it will not fit the outlet, have the proper outlet installed by a qualified electrician.

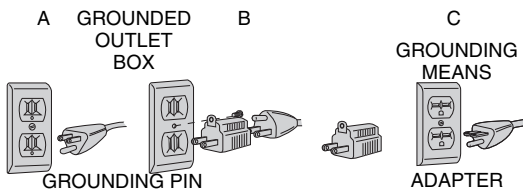
Improper connection of the equipment-grounding conductor can result in a risk of electric shock. The conductor with insulation having an outer surface that is green with or without yellow stripes is the equipment-grounding conductor. If repair or replacement of the electric cord or plug is necessary do not connect the equipment-grounding conductor to a live terminal.

If the grounding Instructions are not completely understood or if in doubt as to whether the tool is properly grounded, check with a qualified electrician or service personnel.

Use only 3-wire extension cords that have 3-prong grounding plugs and 3-pole receptacles to avoid overheating.

**REPAIR OR REPLACE DAMAGED OR WORN CORDS IMMEDIATELY.****THE USE OF A GFCI OUTLET IS RECOMMENDED AND MAY BE REQUIRED IN CERTAIN AREAS.**

Grounded tools intended for use on a supply circuit having a nominal rating less than 150 volts: This tool is intended for use on a circuit that has an outlet that looks like the one illustrated in Figure A. The tool has a grounding plug that looks like the plug illustrated in Figure A. A temporary adapter, which looks like the adapter illustrated in Figures B and C, may be used to connect this plug to a 2-pole receptacle as shown in Figure B if a properly grounded outlet is not available. The temporary adapter should be used only until a properly grounded outlet can be installed by a qualified electrician. The green-colored rigid ear, lug, and the like, extending from the



adapter must be connected to a permanent ground such as a properly grounded outlet box.

The adapter (C) is not for use in Canada.

**DEWALT does not recommend the use of extension cords.** This can create power loss and overheating of the motor. Use an additional air hose rather than an extension cord. If use of an extension cord is unavoidable, it should be plugged into a GFCI found in circuit boxes or protected receptacles. When using an extension cord, observe the following.

Extension Cord Chart				
<b>1 Hp Motor</b>	<b>Rating</b>	<b>Length of Cord in Feet</b>		
		25'	50'	100'
		12 amp, 115V	14 Ga.	12 Ga.
	<b>2 Hp Motor</b>	<b>Rating</b>	<b>Length of Cord in Feet</b>	
25'			50'	100'
15 amp, 115V		14 Ga.	12 Ga.	8 Ga.

### RISK FROM FLYING OBJECTS

The compressed air stream can cause soft tissue damage to exposed skin and can propel dirt, chips, loose particles and small objects at high speed, resulting in serious injury. Always wear ANSI Z28.1 approved safety glasses with side shields when using the compressor. Never direct air stream at people or animals. Use only OSHA approved air blow guns.

### RISK TO BREATHING

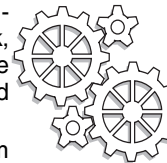
The compressed air from your compressor is not safe for breathing! The air stream may contain carbon monoxide, toxic vapors or solid particles. Never inhale air from the compressor either directly or from a breathing device connected to the compressor.



Sprayed materials such as paint, paint solvents, paint remover, insecticides, weed killers, etc. contain harmful vapors and poisons. **NOTE:** Operate air compressor only in a well ventilated area. Read and follow the safety instructions provided on the label or safety data sheets for the material you are spraying. Use a NIOSH/MSHA approved respirator designed for use with specific application.

### RISK FROM MOVING PARTS

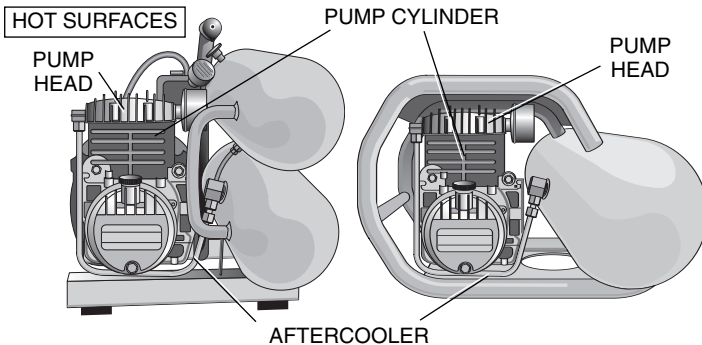
The compressor cycles automatically when the pressure switch is in the ON/AUTO position. Always turn off the compressor, bleed pressure from the air hose and tank, and disconnect from power source before performing maintenance or attaching tools and accessories.



Keep your hair, clothing, and gloves away from moving parts. Loose clothes, jewelry, or long hair can be caught in moving parts. Air vents may cover moving parts and should be avoided as well. Do not remove the protective covers from this product. Never operate compressor with guards or protective covers that are damaged or removed. Never stand on the compressor.

### RISK OF BURNS

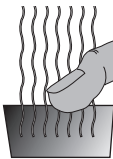
Touching exposed metal such as the compressor head or aftercooler can result in serious burns. Never touch any exposed metal parts on compressor during or immediately after operation. Compressor



will remain hot for several minutes after operation. Do not move the compressor while it is running. Hot motor parts could cause burns contributing to the dropping of the compressor, damaging the compressor and/or injuring the operator.

#### RISK FROM NOISE

**CAUTION:** Wear appropriate personal hearing protection during use. Under some conditions and duration of use, noise from this product may contribute to hearing loss.



### Introduction

Congratulations on the purchase of your new DEWALT Air Compressor! You can be assured that this tool has been constructed with the highest level of precision and accuracy. Each component has been rigorously tested by technicians to ensure the quality, endurance and performance of this air compressor.

By reading the following simple safety, installation, operation, maintenance and troubleshooting steps described in this manual,

you will receive years of trouble-free operation. The manufacturer reserves the right to make changes in price, color, materials, equipment specifications, or models at any time without notice.

### Inspection of Compressor

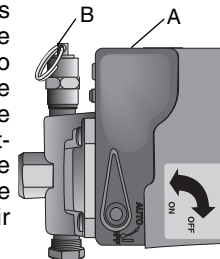
Inspect for signs of obvious or concealed freight damage. Report any damage to the delivering freight carrier immediately. Be sure that all damaged parts are replaced and any mechanical problems are corrected prior to the operation of the air compressor. The air compressor serial number is located on the shroud of the compressor. Please write the serial number in the space provided in the service section for future reference.

**WARNING:** When using electric tools, basic safety precautions should always be followed to reduce risk of fire, electric shock, and personal injury.

### DEWALT Air Compressor Features

#### PRESSURE SWITCH

This switch (A) is used to start or stop the air compressor. Moving the switch to the ON position will provide automatic power to the pressure switch which will allow the motor to start when the air tank pressure is below the factory set cut-in pressure. When in the ON (AUTO) position, the pressure switch stops the compressor from charging air when the air tank pressure reaches the factory set cut-out pressure limit. For ease of starting, this switch also has a pressure release valve located on the side of the switch designed to automatically release compressed air from the air compressor pump head and its discharge line when the air compressor reaches the cut-out pressure limit or is shut off. Moving the switch to the OFF position will open the pressure switch contacts and stop the air compressor.



**SAFETY RELIEF VALVE**

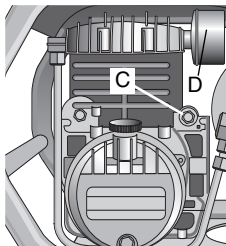
This valve (B) is designed to prevent system failures by relieving pressure from the system when the compressed air reaches a predetermined level. The valve is preset by the manufacturer and must not be modified in any way.

**AIR TANK DRAIN VALVE**

The drain valve is used to remove moisture from the air tank after the air compressor is shut off.

**MOTOR THERMAL OVERLOAD**

The electric motor has a manual thermal overload protector (C). If the motor overheats for any reason, the thermal overload will cut off power, thus preventing the motor from being damaged. Turn the pressure switch to the OFF position and wait until the motor cools before pressing the thermal overload button.

**AIR INTAKE FILTER**

This filter (D) is designed to clean air entering the pump. To ensure the pump continually receives a clean, cool, and dry air supply this filter must always be clean and the filter intake must be free from obstructions.

**TANK PRESSURE GAGE**

The tank pressure gage indicates air pressure in the air tank.

**REGULATED PRESSURE GAGE**

The regulated pressure gage indicates the air pressure available at the outlet side of the regulator. This pressure is controlled by the regulator and is always less than or equal to the air tank pressure.

**PRESSURE REGULATOR**

The regulator knob controls the air pressure coming from the air tank.

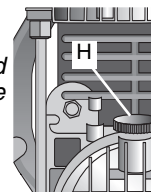
**OIL DIPSTICK**

The dipstick (H) will indicate the amount of oil in the pump. Oil level should be checked on a daily basis to ensure that it does not exceed the maximum notch or fall below the minimum notch on the dipstick.

**Common Procedures****CHECKING COMPRESSOR PUMP OIL LEVEL**

**▲WARNING:** Aftercooler, pump head, and surrounding parts are very hot. Do not touch. (see *Hot Surfaces* on page 4).

1. Ensure that the unit is off.
2. Locate unit on a flat horizontal surface.
3. Remove dipstick (H) from oil fill port.
4. Look for visual signs of contaminants (water, dirt, etc.) in oil on dipstick.
5. Wipe oil off of the dipstick.
6. Reinsert the dipstick fully into the oil fill port for a few seconds to allow oil to collect on dipstick.
7. Remove the oil dipstick to read oil level. Oil should not exceed top raised line (MAX) on dipstick. If oil is below lower mark (MIN), add DEWALT synthetic oil and follow steps 5 through 7.

**CHECKING SAFETY RELIEF VALVE OPERATION**

**▲WARNING:** Aftercooler, pump head, and surrounding parts are very hot. Do not touch (see *Hot Surfaces* on page 4).

1. Ensure that the unit is off.
2. Ensure that the tank is empty by looking at tank pressure gage. Drain the tanks if necessary.
3. Grasp the wire ring on the safety valve.
4. Pull and release the ring a few times to ensure that the plunger moves in and out. Replace the safety valve if plunger does not move or is difficult to move.



### CHECKING AIR FILTER ELEMENT

**▲ WARNING:** Aftercooler, pump head, and surrounding parts are very hot. Do not touch (see Hot Surfaces on page 4).

1. Ensure that the unit is off.
2. Allow the unit to cool.
3. Unscrew the filter from pump head by turning counter clockwise.
4. Separate the filter body into two halves.
5. If the element needs cleaning blow out with air. Replace air filter assembly if unsure whether element can be cleaned sufficiently.
6. Reconnect the filter body.
7. Screw the filter into pump head by turning clockwise until the filter is hand tight.

### TURNING THE UNIT ON

Follow the pre-start and start-up procedures in the operating procedure section.

### TURNING THE UNIT OFF

Follow the shut-down procedures in the operating procedures section.

### ADJUSTING THE REGULATOR

1. Pull the regulator knob out. (For D55155 compressor)
2. Turn the knob clockwise to increase regulated pressure and counter clockwise to decrease regulated pressure.
3. When desired pressure is shown on the regulated pressure gage, push the knob in to lock it. (For D55155 compressor)

### INSTALLING HOSES

**▲ WARNING:** Firmly grasp the hose when installing or disconnecting to prevent hose whip.

1. Ensure that the regulated pressure gage reads 0 PSI.
2. Grasp the hose at the coupler.

3. Pull back the collar on the female quick-connect coupler located on the compressor.
4. Push the male connector into the female connector.
5. Release the female connector.
6. Grasp hose and pull to ensure couplers are seated.
7. Adjust regulator to desired pressure.

### DISCONNECTING HOSES

**▲ WARNING:** Firmly grasp the hose when installing or disconnecting to prevent hose whip.

1. Ensure that the regulated pressure gage reads 0 PSI.
2. Grasp the hose at the coupler.
3. Pull back the collar on female quick-connect coupler located on the compressor.
4. Pull the male connector out of the female connector.
5. Release the female connector.

### DRAINING THE TANK

**▲ WARNING:** The tank contains high pressure air. Keep the outlet of drain away from face and other body parts. Use safety glasses when draining because debris can be kicked up into face. Use ear protection because air flow noise is loud when draining.

**NOTE:** All compressed air systems generate condensate that accumulates in any drain point (e.g. tanks, filter, aftercoolers, dryers). This condensate contains lubricating oil and/or substances which may be regulated and must be disposed of in accordance with local, state, and federal laws and regulations.

1. Ensure that the ON/OFF switch is in the OFF position.
2. Move the compressor into an inclined position so that the drain valve(s) are at the lowest point This will assist in removing moisture, dirt, etc. from the tanks.
3. Place a suitable container under the drain to catch discharge.

4. Open the valve from below, keeping hands away from hot components.
5. Slowly rotate the lever or turn knob counter clockwise to gradually bleed air from tank.
6. When tank is at 10 PSI, rotate the lever or knob to the fully open position.
7. Close the drain valve when finished.

## **Preparation For Use**

### **INITIAL SET-UP**

Read all safety instructions before setting-up air compressor.

1. Remove oil plug.
2. Pour DEWALT synthetic oil into crankcase (See Specifications).
3. Insert dipstick.
4. Close air tank drain valve.

**▲ WARNING:** *THE COMPRESSOR IS SHIPPED WITHOUT OIL IN THE CRANKCASE. ADD OIL.*

**▲ CAUTION:** *Do not operate without lubricant or with inadequate lubricant. DEWALT is not responsible for compressor failure caused by inadequate lubrication.*

## **Compatibility**

Air tools and accessories that are operated with the compressor must be compatible with petroleum based products. If you suspect that a material is not compatible with petroleum products, use an air line filter for removal of moisture and oil vapor in compressed air.

**NOTE:** Always use an air line filter to remove moisture and oil vapor when spraying paint.

## **Location**

**▲ CAUTION:** *In order to avoid damaging the air compressor, do not allow the unit to be tilted more than 10° from the normal horizontal position when operating.*

All hand carry compressors should be run with the rubber feet resting on a horizontal, flat surface.

Place the air compressor at least 3 feet away from obstacles that may prevent proper ventilation. Keep the compressor away from areas that have dirt and/or volatile fumes in the atmosphere. These impurities may clog the intake filter and valves, causing inefficient operation.

**NOTE:** The D55155 single tank air compressor is designed to be carried in the vertical orientation but will right itself in the proper horizontal position when placed on a flat surface.

## **HUMID AREAS**

In frequently humid areas, moisture may form in the bare pump and produce sludge in the lubricant, causing running parts to wear out prematurely. Excessive moisture is especially likely to occur if the unit is located in an unheated area that is subject to large temperature changes. Two signs of excessive humidity are external condensation on the bare pump when it cools down and a “milky” appearance in compressor lubricant. You may be able to prevent moisture from forming in the bare pump by increasing ventilation or operating for longer intervals.

## **ELECTRICAL**

Refer to the safety instructions before using unit. Observe extension cord safety instructions if necessary. Always shut off the air compressor switch before removing the plug from the outlet.

## **NOISE CONSIDERATIONS**

Consult local officials for information regarding acceptable noise levels in your area. To reduce excessive noise, use vibration mounts or silencers, relocate the unit or construct total enclosures or baffle walls. Contact a DEWALT service center or call 1-800-4DEWALT for assistance.

## TRANSPORTING

When transporting the compressor in a vehicle, trailer, etc., ensure that the tanks are drained and the unit is secured. Use care when driving to avoid tipping the unit over in the vehicle. Damage can occur to the compressor or surrounding items if the compressor is tipped.

## MOVING

When moving the compressor, grasp the handle grip and carry the compressor as close to your body as possible.

**▲ WARNING:** *Ensure proper footing and use caution when carrying compressor to avoid a loss of balance.*

## Air Inlet Filter

**▲ CAUTION:** Do not operate without the air inlet filter.

## General Requirements

The piping, fittings, receiver tank, etc. must be certified safe for at least the maximum working pressure of the unit. Use hard welded or threaded steel or copper pipes, cast iron fittings and hoses that are certified safe for the unit's discharge pressure and temperature. Use pipe thread sealant on all threads and tighten joints thoroughly to prevent air leaks. **DO NOT USE PVC PLASTIC.**

## CONDENSATE DISCHARGE PIPING

To install a condensate discharge line, use piping at least one size larger than the connection. Connect the piping so that it is secured tightly and is routed to a suitable drain point. Use as short and direct a pipe as possible. Condensate must be disposed of in accordance with local, state, and federal laws and regulations.

**NOTE:** All compressed air systems generate condensate that accumulates in any drain point (e.g. tanks, filter, aftercoolers and dryers). This condensate contains lubricating oil and/or substances which may be regulated and must be disposed of in accordance with local, state, and federal laws and regulations.

## Operating Procedures

### PRE-START CHECKLIST

1. Ensure that the ON/OFF lever switch is in the OFF position.
2. Ensure that the tank is drained so that moisture, dirt, etc. can be eliminated.
3. Ensure that the tank pressure gage reads 0 PSI.
4. Ensure that the safety and drain valves are functioning properly.
5. Ensure that the drain valve is closed.
6. Check the oil level in the pump.

**NOTE:** The air compressor is shipped without oil in crankcase. Add oil before using.

7. Ensure that all guards and covers are in place and securely mounted. Ensure that all labels are legible. Do not use the compressor until all these items have been verified.

### START-UP

1. Ensure that the ON/OFF lever on the pressure switch is in the OFF position.
2. Pull out and turn the regulator knob counterclockwise until it is fully closed. Push in to lock. The regulated pressure gage should read 0 PSI.
3. Plug the power cord into a grounded outlet.
4. Move the ON/OFF lever to the ON position. Allow the compressor to reach cut-out pressure limit. This pressure will cause the compressor to shut down automatically.

**NOTE:** When the compressor is started and the tank is empty, an air noise will be heard. This noise is normal as the cold start valves are allowing air to escape from the air compressor lines. This noise will also be heard when the unit shuts off because the unloader valve, located in the pressure switch, is purging air from the lines.

5. Attach the hose and accessory.

6. Adjust the regulator to the desired setting.

**NOTE:** If any unusual noise or vibration is noticed, stop the compressor and refer to the troubleshooting section.

### Shut-down

**NOTE:** NEVER stop the air compressor by unplugging it from the power source. This could result in damage to the unit.

1. Move the ON/OFF lever to the OFF position.

**NOTE:** If finished using compressor, follow steps 2 - 7 below.

2. Unplug the cord from the outlet.

3. Turn the regulator knob counterclockwise until it is fully closed. Ensure that the regulated pressure gage reads 0 PSI.

3. Remove the hose and accessory.

4. Drain the air tanks.

5. Allow the compressor to cool down.

6. Wipe compressor clean and store in a safe, non-freezing area.

### Maintenance

The following procedures must be followed when maintenance or service is performed on the air compressor.

1. Turn off the compressor.

2. Disconnect cord from electrical outlet.

3. Drain tanks.

4. Allow the compressor to cool down before starting service.

**NOTE:** All compressed air systems contain maintenance parts (e.g. lubricating oil, filters, separators) which are periodically replaced. These used parts may be, or may contain, substances that are regulated and must be disposed of in accordance with local, state, and federal laws and regulations.

**NOTE:** Take note of the positions and locations of parts during disassembly to make reassembly easier. The assembly sequences and parts illustrated may differ for your particular unit.

**NOTE:** Any service operations not included in this section should be performed by authorized service personnel.

### Maintenance Chart

Procedure	Day	Week	Month	200 Hrs.
Check pump oil level	X			
Oil leak inspection	X			
Drain condensation in air tank(s)	X			
Check for unusual noise/vibration	X			
Check for air leaks**	X			
Inspect air filter		X		
Clean exterior of compressor		X		
Check safety relief valve			X	
Change pump oil *				X
Replace air filter				X

\* *The pump oil must be changed after the first 20 hours of operation. Thereafter, every 200 hours or once a year, whichever comes first. In harsh environments, maintenance must be performed on an accelerated schedule. Always use DEWALT synthetic oil.*

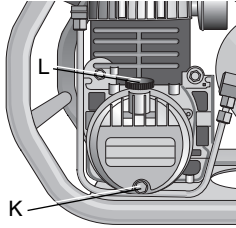
\*\* *To check for air leaks apply a solution of soapy water around joints. While the compressor is reaching the pressure cut-out limit and after the pump cuts out, look for air bubbles around the joints.*

### Compressor Pump Oil Change

**NOTE:** Pump oil contains substances that are regulated and must be disposed of in accordance with local, state, and federal laws and regulations.

**⚠ WARNING :** *Aftercooler, pump head, and surrounding parts are very hot. Do not touch (see Hot Surfaces on page 4).*

1. Ensure that the unit is off.
2. Allow the unit to cool.
3. Place a suitable container under the drain plug (K).
4. Remove the oil dipstick (L) from crankcase.
5. Remove the oil drain plug.
6. Allow ample time for all the oil to drain out. (Tilting the compressor towards the drain plug assists draining.)
7. Reinstall the oil drain plug.
8. Fill the pump with DEWALT synthetic compressor oil (See Specifications).
9. Reinstall the oil dipstick.



## Accessories

Recommended accessories for use with your tool are available for purchase from your local dealer or authorized service center. If you need assistance in locating any accessory for your tool, contact: DEWALT Industrial Tool Co., 701 East Joppa Road, Baltimore, MD 21286 or call 1-800-4-DEWALT.

**⚠ CAUTION:** *The use of any other accessory not recommended for use with this tool could be hazardous.*

## SERVICE

Please have the following information available for all service calls:

Model Number \_\_\_\_\_

Serial Number \_\_\_\_\_

Date and Place of Purchase \_\_\_\_\_

## Repairs

To assure product SAFETY and RELIABILITY, repairs, maintenance and adjustment should be performed by authorized service centers or other qualified service organizations, always using identical replacement parts.

## Full One Year Warranty

DEWALT heavy duty industrial tools are warranted for one year from date of purchase. We will repair, without charge, any defects due to faulty materials or workmanship. For warranty repair information, call 1-800-4-DEWALT. This warranty does not apply to accessories or damage caused where repairs have been made or attempted by others. This warranty gives you specific legal rights and you may have other rights which vary in certain states or provinces.

**FREE WARNING LABEL REPLACEMENT:** If your warning labels become illegible or are missing, call 1-800-4-DEWALT for a free replacement.

## **TROUBLESHOOTING GUIDE**

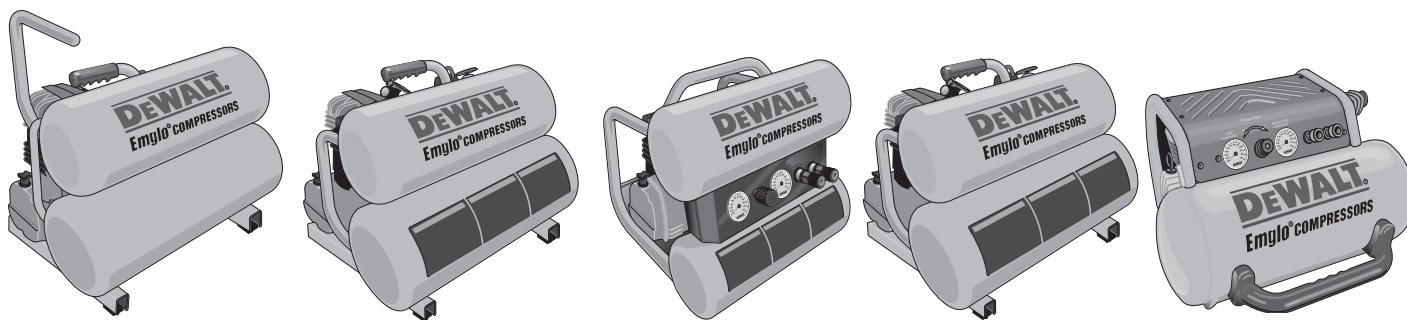
This section provides a list of the more frequently encountered malfunctions, their causes and corrective actions. The operator or maintenance personnel can perform some corrective actions, and others may require the assistance of a qualified DeWALT technician or your dealer.

<b>Problem</b>	<b>Code</b>
Compressor does not start or restart .....	16,17,18,19,20,36
Unit does not or is slow to come up to speed .....	3,8,11,12,14,15,20,21,22,24,25,31
Air compressor not making enough air.....	1,3,7,8,9,10,11,21,24,25,28,29
Insufficient pressure at air tool or accessory .....	1,3,7,8,9,10,11,21,24,25,27,28,29
High oil consumption.....	2,6,9,10,11,12,15,30,32
Unit runs excessively hot .....	1,2,4,5,10,11,12,13,15,19,30
Excessive starting and stopping .....	7,20,21,24,25,29
Excessive noise during operation .....	2,3,4,5,8,9,10,11,12,15,25,29,30,31
Moisture in discharge air.....	34,35
Moisture in crankcase or "milky" appearance in petroleum lubricant or rusting in cylinders .....	6,7,9,10,15,25,26,33,35
Oil in discharge air (oil pumping) .....	2,6,8,9,10,11,15,31,32
Oil leaking from shaft seal.....	12
Safety relief valve "pops" .....	22,23
Air leaks at pump .....	24,25
Air leaks at fittings .....	25
Air leaks from tank .....	26
Abnormal piston ring or cylinder wear .....	2,4,5,6,9,10,11,13

<b>Code</b>	<b>Possible Cause</b>	<b>Possible Solution</b>
1.	Clogged or dirty inlet and/or discharge line filter.	Clean or replace air inlet and/or discharge line filter.
2.	Lubricant viscosity too low.	Drain existing lubricant and refill with DEWALT Synthetic lubricant.
3	Lubricant viscosity too high.	Drain existing lubricant and refill with DEWALT Synthetic lubricant.
4.	Lubricant level too low.	Add lubricant to crankcase to proper level.
5.	Detergent type lubricant being used.	Drain existing lubricant and refill with DEWALT Synthetic lubricant.
6.	Extremely light duty cycles.	Run unit for longer duty cycles.
7.	Air leaks in air discharge piping.	Check tubing and connections.
8.	Compressor pump check valve is loose, broken, or has carbon buildup.	Inspect valve. Clean or replace as required.
9.	Carbon build up on top of compressor pump piston.	Clean piston. Repair or replace as required.
10	Piston rings damaged or worn (broken, rough, or scratched). Excessive end gap or side clearance. Piston rings not seated, stuck in grooves, or end gaps not staggered.	Install new rings.
11	Cylinder or piston scratched, worn, or scored.	Repair or replace as required.
12	Worn connecting rod, piston pin, or crankpin bearings.	Inspect all. Repair or replace as required..
13	Crankshaft seal worn or crankshaft scored.	Replace seal or crankshaft assembly.
14	Extremely dusty atmosphere.	Install more effective filtration or relocate the compressor.
15	Ambient temperature too low.	Relocate compressor to warmer environment. Ensure that DEWALT Synthetic oil is in crankcase.
16	Worn cylinder finish.	Deglaze cylinder with 180 grit flex-hone
17	Power cord not plugged in.	Plug cord into grounded outlet.
18	Pressure switch is in OFF position.	Move switch to ON/AUTO position.
19	Motor thermal overload switch has tripped.	Turn the compressor off, wait until motor is cool, then press motor thermal overload button (located on motor) firmly until a click is heard.
20	Fuse blown or circuit has tripped.	Replace fuse or reset circuit breaker. Check for proper fuse. Use only "Fusetron" type T fuses. Check for low voltage conditions. Disconnect any other electrical appliances from circuit or operate the compressor on its own branch circuit.
21	Wrong gage wire or length of extension cord.	If possible, eliminate extension cord. Check the chart on page 7 for proper gage wire and cord length.

<b>Code</b>	<b>Possible Cause</b>	<b>Possible Solution</b>
22	Tank air pressure exceeds pressure switch "cut-in" setting.	Set pressure switch in the "Auto" position. The motor will automatically start when air tank pressure drops below "cut-in" pressure.
23	Pressure relief valve on pressure switch has not unloaded pump head pressure.	Drain tanks. If problem persists, contact DEWALT customer service at 1-800-4-DEWALT.
24	Defective motor, motor capacitor, or pressure switch.	Contact DEWALT Customer Service at 1-800-4-DEWALT.
25	Pressure switch does not shut off motor when air compressor reaches "cut-out" pressure.	Move the pressure switch to the OFF position. If the motor does not shut off, unplug the air compressor. If the electrical contacts are welded together, replace the pressure switch.
26	Air compressor is not large enough for air required.	Check accessory air requirement. If higher than the CFM or pressure supply of the air compressor, then larger air compressor is required.
27	Defective pressure switch.	Replace the pressure switch.
28	Defective safety relief valve.	Operate safety relief valve manually by pulling on test ring. If it still leaks, replace the safety relief valve.
29	Excessive air tank pressure.	Defective pressure switch. Replace the pressure switch.
30	Defective gaskets.	Replace and torque head bolts to 6 to 7 ft lbs.
31	Fittings not tight enough.	<b>Warning:</b> Drain air before tightening. Tighten fittings so air can not be heard escaping. Check joint with soap solution. Do not overtighten
32	Defective or rusted air tank	Air tank must be replaced. Do not attempt to repair air tank.
33	Pressure regulator knob not turned to high enough pressure or defective pressure regulator.	Adjust pressure regulator knob to proper setting or replace.
34	Hose or hose connections are too small or too long.	Replace with larger hose or connectors.
35	Possible defective reed valve.	Remove pump head and inspect valve plate and reed valve. Clear or replace valves as required.
36	Air compressor on uneven surface.	Do not incline the air compressor more than 10° in any direction while running.
37	Crankcase overfilled with oil.	Drain oil. Refill to proper level with DEWALT synthetic oil.
38	Plugged oil dipstick vent.	Clean dipstick vent.
39	Water in oil due to condensation.	Drain oil. Refill to proper level with DEWALT synthetic oil.
40	Condensation in air tank caused by high level of atmospheric humidity.	Drain air tank after every use. Drain air tank more often in humid weather and use an air line filter.
41	Compressor located in damp or humid location.	Relocate the compressor.

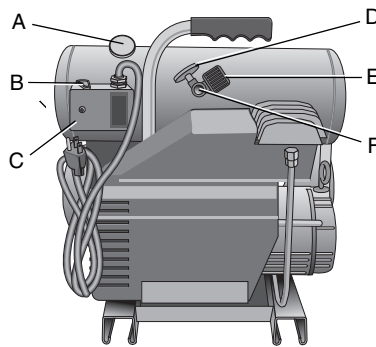
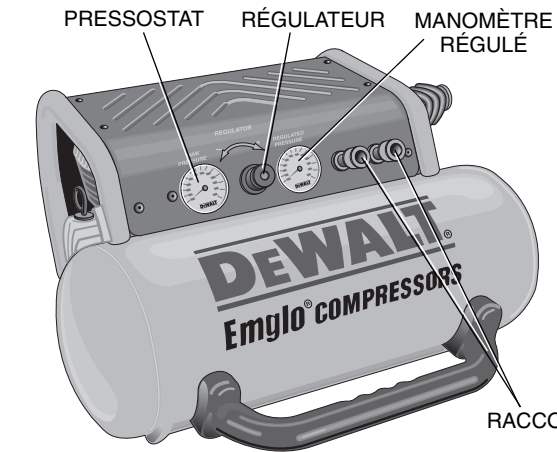




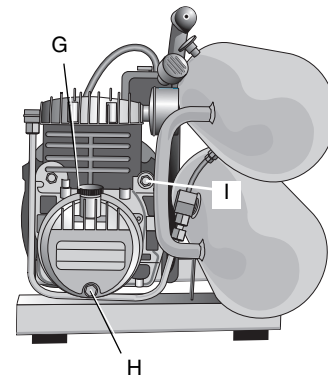
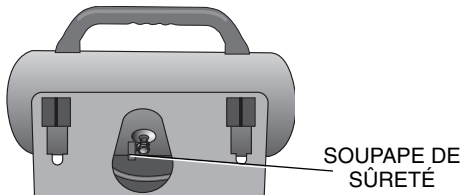
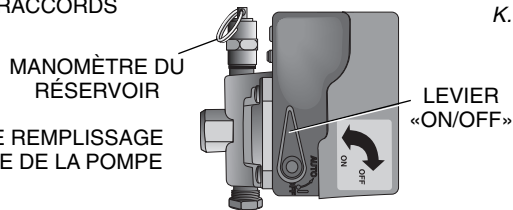
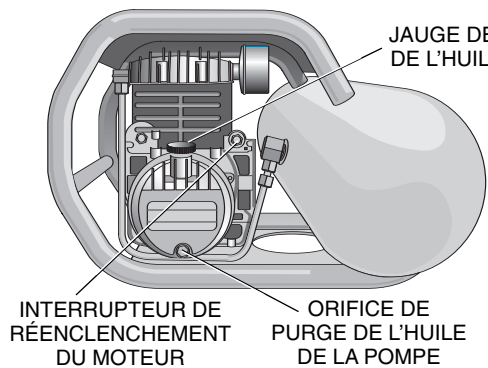
### SPECIFICATIONS

MODÈLE	D55150	D55151	D55152	D55153	D55155
<b>POIDS</b>	25,85 kg	25,4 kg	24,94 kg	26,3 kg	27,67 kg
<b>HAUTEUR</b>	42,5 cm	42,5 cm	62,4 cm	42,5 cm	48,75 cm
<b>LARGEUR</b>	70,2 cm	70,2 cm	70,2 cm	70,2 cm	84,82 cm
<b>LONGEUR</b>	58,5 cm	58,5 cm	70,2 cm	58,5 cm	84,82 cm
<b>MOTEUR</b>	1 HP(max),120 V. 12 A. 60 Hz. 1725 RPM	2.5 HP(max), 120 V. 15 A. 60 Hz. 3450 RPM	2.75 HP(max), 120 V. 14 A. 60 Hz. 3450 RPM	2.75 HP(max), 120 V. 14 A. 60 Hz. 3450 RPM	2.75 HP(max), 120 V. 15 A. 60 Hz. 3450 RPM
<b>HUILDE DE LA POMPE</b>	118,3 ml.	177,4 ml.	236,6 ml.	236,6 ml.	118,3 ml.
<b>p<sup>3</sup>/min/PO<sup>2</sup></b>	4.0@40 3.4@60 2.8@90 2.6@100	4.3@40 3.9@60 3.3@90 3.2@100	5.1@40 4.6@60 4.0@90 3.8@100	5.1@40 4.6@60 4.0@90 3.8@100	5.4@40 5.1@60 4.6@90 4.5@100

Français



- A. PRESSOSTAT
- B. LEVIER «ON/OFF»
- C. SOUPAPE DE SÛRETÉ
- D. MANOMÈTRE RÉGULÉ
- E. RÉGULATEUR
- F. RACCORDS
- G. JAUGE DE REMPLISSAGE DE L'HUILE DE LA POMPE
- H. ORIFICE DE PURGE DE L'HUILE DE LA POMPE
- I. INTERRUPTEUR DE RÉENCLenchEMENT DU MOTEUR
- J. ROBINET DE PURGE DU RÉSERVOIR
- K. MANOMÈTRE DU RÉSERVOIR



**SI VOUS AVEZ DES QUESTIONS OU VOUS VOULEZ NOUS FAIRE PART DE VOS COMMENTAIRES CONCERNANT CET OUTIL OU TOUT AUTRE OUTIL DEWALT, COMPOSER SANS FRAIS LE : 1 800 433-9258.**

**⚠ AVERTISSEMENT!** Lire et comprendre toutes les directives avant d'utiliser cet outil, car le non-respect des directives suivantes pourrait entraîner un choc électrique, un incendie ou des blessures graves.

## CONSERVER CES DIRECTIVES

### Consignes de sécurité

**⚠ AVERTISSEMENT:** Une partie de la poussière créée par ce produit contient des produits chimiques qui, dans l'État de la Californie, sont reconnus comme étant susceptibles de causer le cancer, d'entraîner des malformations congénitales ou d'être nocifs pour le système reproducteur. Parmi ces produits chimiques, mentionnons notamment :

- les composés dans les engrais;
- les composés dans les insecticides, les herbicides et les pesticides;
- l'arsenic et le chrome dans le bois d'œuvre traité chimiquement.

Pour réduire le risque d'exposition à ces produits chimiques, porter un équipement de sécurité approuvé, comme des masques antipoussières, qui sont spécialement conçus pour filtrer les particules microscopiques.

**⚠ AVERTISSEMENT :** l'utilisation de ce produit augmente les risques d'exposition à des produits chimiques qui, dans l'État de la Californie, sont reconnus comme étant susceptibles de causer le cancer, d'entraîner des malformations congénitales ou d'être nocifs pour le système reproductif. **Éviter d'inhaler les vapeurs environnantes. Se laver les mains après chaque utilisation.**

**⚠ AVERTISSEMENT:** Ce produit contient des produits chimiques, y compris du plomb, qui, dans l'État de la Californie, sont reconnus comme étant susceptibles de causer le cancer, d'entraîner des malformations congénitales ou d'être nocifs pour le système reproducteur. **Se laver les mains après la manipulation.**

L'utilisateur de cet appareil doit comprendre toutes ces directives. Toute personne qui utilise cet outil doit être sain d'esprit et faire preuve d'intégrité physique totale et ne pas être sous l'influence d'une substance susceptible de réduire son acuité visuelle ou sa dextérité ou nuire à son jugement.

### RÉSERVOIR D'AIR

Le réservoir dont est doté le compresseur d'air peut porter le code UM (dans le cas d'appareils munis de réservoirs supérieurs à 15,2 cm ou 6 pouces de diamètre) et il est conçu conformément à la Section VIII, Div. 1 de l'ASME. Tous les appareils sous pression doivent être inspectés tous les deux ans. Pour trouver l'inspecteur des appareils sous pression de votre région, consulter la section appropriée des organismes gouvernementaux de l'annuaire téléphonique ou composer le 1 800 433-9258 pour obtenir de l'aide.



Les conditions indiquées ci-après peuvent affaiblir le réservoir et entraîner une violente explosion à l'intérieur de celui-ci :

1. **Le fait de ne pas purger convenablement l'eau condensée du réservoir, entraînant la corrosion et l'amincissement des parois en acier du réservoir.** Purger le réservoir quotidiennement ou après chaque utilisation. Si le réservoir présente une fuite, le remplacer immédiatement par un nouveau réservoir ou un nouvel équipement de compresseur.

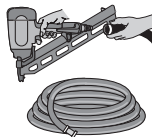
2. **Modifications apportées au réservoir du compresseur ou tentatives de réparation.**

*Ne jamais percer un trou dans le réservoir ou ses accessoires, y effectuer des soudures ou y apporter quelque modification que ce soit.*

3. **Modifications apportées au pressostat, à la soupape de sûreté ou à tout autre composant contrôlant la pression du réservoir.** *Le réservoir est conçu pour résister à des pressions d'utilisation précises. Ne jamais effectuer de réglages ou remplacer des pièces en vue de modifier les pressions d'utilisation réglées en usine.*

### ACCESSOIRES

Lorsque la pression nominale des outils pneumatiques, des pistolets pulvérisateurs, des accessoires à commande pneumatique, des pneus et autres produits gonflables est excédée, ces composants pourraient exploser, ou se détacher et se projeter en l'air, et entraîner des blessures graves. Respecter les recommandations des fabricants d'équipement et ne jamais excéder les pressions nominales maximales permises des accessoires. Ne jamais utiliser le compresseur pour gonfler de petits objets nécessitant une basse pression comme des jouets d'enfant, des ballons de football et de basket-ball, etc.



### RISQUE D'EXPLOSION OU D'INCENDIE

Il est normal que les contacts électriques du moteur ou du pressostat produisent des étincelles. Toujours faire fonctionner le compresseur dans un endroit bien aéré, exempt de matériaux combustibles, d'essence ou de vapeurs de solvants. Si des étincelles électriques provenant du compresseur entrent en contact avec des vapeurs inflammables, celles-ci peuvent s'enflammer et entraîner un incendie ou une



explosion. Lorsqu'on pulvérise des matériaux inflammables, installer le compresseur à au moins 6,10 m (20 pi) en amont de la zone de pulvérisation; il pourrait s'avérer nécessaire d'utiliser une section supplémentaire de boyau.

Entreposer les matériaux inflammables en un lieu sûr, loin du compresseur.

Toute obstruction des prises d'airs de ventilation du compresseur risque de provoquer une surchauffe importante et entraîner un incendie. Ne jamais placer d'objets sur le dessus du compresseur ou contre celui-ci. Faire fonctionner le compresseur dans une zone dégagée, située à au moins 0,91 m (3 pi) d'un mur ou de tout obstacle pouvant restreindre l'apport d'air frais aux prises d'air de ventilation.

### RISQUE DE CHOC ÉLECTRIQUE

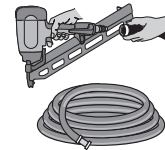
Le compresseur d'air fonctionne à l'électricité; toute utilisation inappropriée pourrait entraîner des risques de choc électrique.

Ne jamais utiliser le compresseur dans des endroits mouillés, ni l'exposer à la pluie.

Ne jamais faire fonctionner le compresseur si les dispositifs ou les couvercles de protection sont endommagés ou retirés. Toute réparation effectuée par une personne autre qu'un technicien qualifié peut entraîner des blessures graves ou la mort par électrocution. Toute réparation de composants ou de câbles électriques de ce produit doit être effectuée par le personnel d'un centre de service autorisé, conformément aux codes d'électricité nationaux et locaux.

### DIRECTIVES CONCERNANT LA MISE À LA TERRE

En cas de défaillance ou de bris, la mise à la terre procure un chemin de faible résistance afin de réduire les risques de choc électrique. Cet outil est doté d'un cordon à conducteur et broche de terre; on



doit en raccorder la fiche dans une prise murale appropriée, bien installée et mise à la terre, conformément à tous les codes et règlements en vigueur. On ne doit jamais tenter de modifier cette fiche; si elle ne s'adapte pas à la prise murale, on doit faire appel à un électricien qualifié pour l'installation de la prise appropriée.

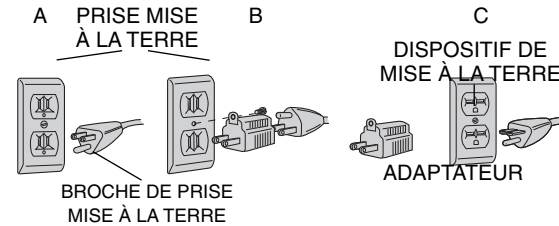
Si le conducteur de terre n'y est pas correctement relié, on s'expose à des risques de choc électrique (on reconnaît ce conducteur à son isolant vert, avec ou sans rayures jaunes). Ne pas raccorder le conducteur à une borne sous tension lorsqu'on doit remplacer ou réparer le cordon électrique ou sa fiche.

Communiquer avec un technicien ou un électricien qualifié si les directives de mise à la terre ne sont pas claires ou en cas de doute quant à cette directive.

N'utiliser que des rallonges trifilaires munies d'une fiche à trois broches et des prises tripolaires en vue d'éviter une surchauffe.

**RÉPARER OU REMPLACER IMMÉDIATEMENT LES CORDONS ENDOMMAGÉS OU USÉS. L'UTILISATION D'UNE PRISE À DISJONCTEUR DE FUITE À LA TERRE EST RECOMMANDÉE ET POURRAIT ÊTRE REQUISE À CERTAINS ENDROITS.**

Outils mis à la terre destinés à être raccordés à un circuit d'alimentation électrique ayant une tension nominale de moins de 150 volts : cet outil est conçu pour les circuits électriques auxquels on accède par une prise murale semblable à celle illustrée à la figure A. L'outil est en effet muni d'une broche de terre semblable à celle illustrée à la figure A. On peut temporairement utiliser un adaptateur, comme celui illustré aux figures B et C, pour brancher la fiche de l'outil à une prise bipolaire (fig. B) en l'absence d'une prise de courant correctement mise à la terre; cet adaptateur ne doit être utilisé qu'en guise de solution temporaire en attendant qu'un électricien qualifié installe la prise appropriée. On doit mettre cet adaptateur à la terre en reliant l'oeillet, la cosse ou tout autre dispositif de couleur verte à



un élément mis à la terre de manière permanente, comme une boîte à prises murales (il est cependant interdit de se servir d'un tel adaptateur (C) au Canada).

DEWALT déconseille l'utilisation d'une rallonge afin d'éviter de causer la perte de puissance et la surchauffe du moteur; on recommande d'utiliser plutôt un boyau d'air supplémentaire. S'il est absolument nécessaire d'utiliser une rallonge, cette dernière doit

#### DIAGRAMME DES RALLONGES

##### Moteur de 1,5 HP

Valeurs nominales	Longueur de la rallonge (en pieds)		
	25	50	100
Calibre			
16 A, 115 V	14	12	10
8 A, 230 V	16	16	14

16 A, 115 V	14	12	10
8 A, 230 V	16	16	14

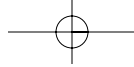
16 A, 115 V	14	12	10
8 A, 230 V	16	16	14

##### Moteur de 2 HP

Valeurs nominales	Longueur de la rallonge (en pieds)		
	25	50	100
Calibre			
20 A, 115 V	14	12	8
9 A, 230 V	16	16	14

20 A, 115 V	14	12	8
9 A, 230 V	16	16	14

20 A, 115 V	14	12	8
9 A, 230 V	16	16	14



être raccordée sur une prise à disjoncteur de fuite à la terre ou une prise protégée par un boîtier quelconque. Si une rallonge est utilisée, on doit respecter les critères suivants :

### **Risques causés par les objets projetés en l'air**

Le flux d'air comprimé peut endommager les tissus mous de la peau exposée et peut projeter à haute vitesse des impuretés, des fragments, des particules détachées et de petits objets pouvant causer des blessures graves. Lorsqu'on utilise le compresseur, toujours porter des lunettes de sécurité approuvées, conformes à la norme ANSI Z28.1, et dotées d'écrans latéraux. Ne jamais diriger le flux d'air vers des personnes ou vers des animaux. N'utiliser que les soufflettes approuvées par la OSHA.

### **RISQUES CAUSÉS PAR LA RESPIRATION DE L'AIR COMPRIMÉ**

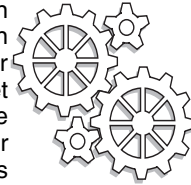
Il est dangereux de respirer l'air comprimé sortant du compresseur! Le flux d'air peut contenir du monoxyde de carbone, des vapeurs toxiques ou des particules solides. Ne jamais inhaler l'air comprimé du compresseur directement ou au moyen d'un appareil respiratoire raccordé au compresseur.



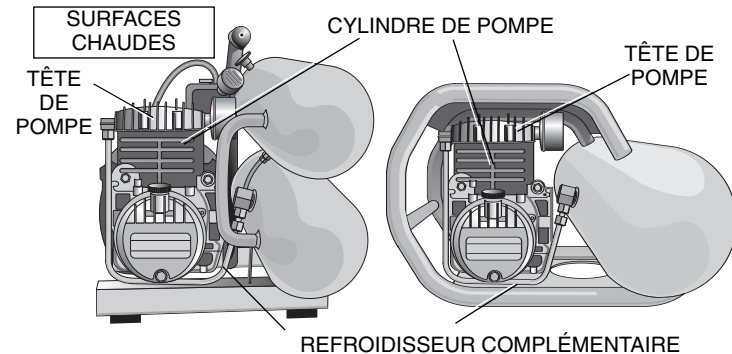
Les matériaux pulvérisés comme la peinture, les solvants de peinture, les décapants, les insecticides, les herbicides, etc. contiennent des vapeurs nocives et des poisons. **REMARQUE :** ne faire fonctionner le compresseur que dans un endroit bien aéré. Lire et respecter les consignes de sécurité indiquées sur l'étiquette ou les fiches signalétiques du produit pulvérisé. Utiliser un appareil respiratoire approuvé par NIOSH/MSHA et conçu pour une utilisation particulière.

### **RISQUES CAUSÉS PAR LES PIÈCES MOBILES**

Le compresseur se met automatiquement en marche lorsqu'on règle le pressostat à la position « ON/AUTO ». Toujours mettre le compresseur hors tension, purger la pression du boyau d'air et du réservoir et le débrancher de la source d'alimentation électrique avant d'en effectuer l'entretien ou d'y fixer des outils ou des accessoires.

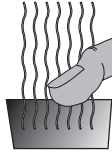


Toujours garder les cheveux, les vêtements et les gants éloignés des pièces mobiles; les vêtements amples, les bijoux ou les cheveux long peuvent y rester coincés. On doit aussi éviter les événements qui recouvrent les pièces mobiles, le cas échéant. Ne pas retirer les couvercles de protection de cet appareil. Ne jamais faire fonctionner le compresseur si les dispositifs ou les couvercles de protection sont endommagés ou retirés. Ne jamais se tenir debout sur le compresseur.



## RISQUE DE BRÛLURES

Ne pas toucher au métal à découvert (comme la tête de compresseur ou le refroidisseur complémentaire) afin d'éviter les risques de brûlures graves. Ne jamais toucher les pièces de métal à découvert du compresseur pendant ou immédiatement après son fonctionnement. Le compresseur demeure chaud pendant plusieurs minutes après son arrêt. Ne pas déplacer le compresseur lorsqu'il est en marche. Les pièces chaudes du moteur peuvent causer des brûlures à l'utilisateur, qui risque de l'endommager ou de se blesser en l'échappant.



## RISQUES CAUSÉS PAR LE BRUIT

**▲ MISE EN GARDE :** porter un dispositif de protection personnel anti-bruit approprié durant l'utilisation. Sous certaines conditions et pendant toute la durée de l'utilisation, le bruit émanant de ce produit pourrait contribuer à la perte d'audition.

## Introduction

Nous vous félicitons d'avoir fait l'acquisition d'un compresseur d'air DEWALT! Nous tenons à vous assurer que cet appareil a été construit selon le plus haut niveau d'exactitude et de précision. Chaque composant a été rigoureusement mis à l'essai par des techniciens en vue de garantir la qualité, l'endurance et le rendement de ce compresseur d'air.

La lecture des étapes simples décrites dans le présent guide et qui traitent des consignes de sécurité, de l'installation, du fonctionnement, de l'entretien et du dépannage de cet appareil, garantit à son nouveau propriétaire de nombreuses années de fonctionnement sans problème.

Afin d'assurer que le compresseur fonctionne correctement pendant plusieurs années à venir, lire les étapes simples décrites dans le présent guide et qui traitent des consignes de sécurité, de

l'installation, du fonctionnement, de l'entretien et du dépannage de cet appareil. Le fabricant se réserve le droit d'apporter en tout temps, sans avis préalable, des changements au prix, à la couleur, aux matériaux, aux caractéristiques de l'équipement ou aux modèles.

## Inspection du compresseur

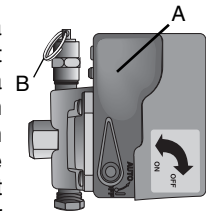
Inspecter le compresseur afin de s'assurer qu'il n'y a aucun signe évident ou dissimulé de dommages causés durant le transport; le cas échéant, signaler immédiatement tout dommage au transporteur. S'assurer que toutes les pièces endommagées sont remplacées et que tous les problèmes mécaniques sont corrigés avant de faire fonctionner le compresseur. Le numéro de série du compresseur d'air est indiqué sur le couvercle de protection de ce dernier. Écrire le numéro de série dans l'espace réservé à cette fin dans la section traitant du service, pour toute consultation ultérieure.

**▲ AVERTISSEMENT :** lorsqu'on utilise des outils électriques, toujours suivre les mesures de sécurité de base afin de réduire les risques d'incendie, de choc électrique et de blessure.

## Caractéristiques du compresseur d'air DEWALT

### PRESSOSTAT

Le pressostat (A) sert à faire démarrer ou à arrêter le compresseur d'air. Si le pressostat est réglé à la position « ON », le moteur pourra démarrer automatiquement lorsque la pression du réservoir d'air descend sous la pression d'enclenchement réglée en usine. S'il est réglé à la position « ON (AUTO) », le pressostat arrête l'alimentation en air du compresseur lorsque la pression du réservoir d'air atteint la pression de déclenchement réglée en usine. Afin de faciliter le démarrage, une soupape de détente a été installée sur le côté du pressostat pour



libérer automatiquement l'air comprimé de la tête de pompe de compression et de la conduite de décharge lorsque le compresseur atteint la pression de déclenchement ou qu'il est hors tension. Si le pressostat est réglé à la position « OFF », ses contacts s'ouvrent et le compresseur d'air s'arrête.

### SOUPAPE DE SÛRETÉ

Cette soupape (B) sert à empêcher les pannes en libérant de la pression du système lorsque l'air comprimé atteint un niveau de pression préétabli. Elle est préréglée en usine et ne doit pas être modifiée de quelque manière que ce soit.

### ROBINET DE PURGE DU RÉSERVOIR D'AIR

Le robinet de purge sert à éliminer l'humidité du réservoir d'air après l'arrêt du compresseur.

### PROTECTION CONTRE LES SURCHARGES THERMIQUES DU MOTEUR

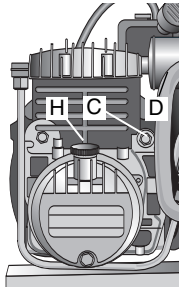
Le moteur électrique est doté d'un dispositif de protection manuel contre les surcharges thermiques (C). Si le moteur surchauffe pour une raison quelconque, ce dispositif coupe l'alimentation, empêchant ainsi tout dommage au moteur. Tourner le pressostat jusqu'à la position « OFF », puis laisser refroidir le moteur avant d'appuyer sur le bouton du dispositif de protection.

### FILTRE À AIR

Ce filtre (D) sert à purifier l'air qui entre dans la pompe. Pour être sûr que la pompe reçoit un flux constant d'air pur, frais et sec, toujours s'assurer que le filtre est propre et que l'entrée d'air est exempte de toute obstruction.

### MANOMÈTRE DU RÉSERVOIR

Le manomètre indique la pression dans le réservoir d'air.



### MANOMÈTRE RÉGLÉ

Le manomètre réglé indique la pression d'air à la sortie du régulateur. Cette pression est contrôlée par le régulateur, et elle est toujours inférieure ou égale à celle du réservoir d'air.

### RÉGULATEUR DE PRESSIION

Le bouton du régulateur contrôle la pression provenant du réservoir d'air.

### JAUGE D'HUILE

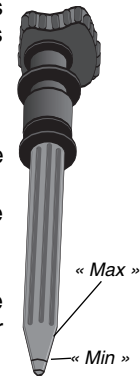
La jauge d'huile (H) indique la quantité d'huile dans la pompe. On doit contrôler quotidiennement le niveau d'huile afin de s'assurer qu'il demeure entre les marques de niveaux maximal et minimal indiquées sur la jauge.

### Procédures courantes

#### VÉRIFICATION DU NIVEAU D'HUILE DE LA POMPE À COMPRESSION

**▲ AVERTISSEMENT :** le refroidisseur complémentaire, la tête de pompe et les pièces contiguës sont très chauds; ne pas y toucher. (Consulter les surfaces chaudes identifiées à la page 19.)

1. S'assurer que l'appareil est arrêté.
2. Placer l'appareil sur une surface horizontale plane.
3. Retirer la jauge (H) de l'orifice de remplissage d'huile.
4. Vérifier la jauge afin de s'assurer qu'il n'y a aucune impureté (eau, saletés, etc.) dans l'huile.
5. Essuyer la jauge.
6. Réinsérer complètement la jauge dans l'orifice de remplissage et attendre quelques secondes pour permettre à l'huile d'adhérer à la jauge.





- Retirer la jauge afin de vérifier le niveau d'huile. Ce niveau ne doit pas dépasser la marque supérieure (« MAX ») indiquée sur la jauge. S'il se situe sous la marque inférieure (« MIN »), ajouter de l'huile synthétique DEWALT et répéter les étapes de 5 à 7 décrites ci-dessus.

### VÉRIFICATION DU FONCTIONNEMENT DE LA SOUPE DE SÛRETÉ

**▲ AVERTISSEMENT** : *le refroidisseur complémentaire, la tête de pompe et les pièces contiguës sont très chauds; ne pas y toucher. (Consulter les surfaces chaudes identifiées à la page 19.)*

- S'assurer que l'appareil est arrêté.
- Vérifier le manomètre du réservoir pour s'assurer que ce dernier est vide. Purger le réservoir, le cas échéant.
- Saisir l'anneau métallique de la soupape de sûreté.
- Tirer sur l'anneau à quelques reprises pour s'assurer que le piston se déplace. Remplacer la soupape de sûreté si le piston ne se déplace pas ou s'il se déplace difficilement.

### VÉRIFICATION DE L'ÉLÉMENT DU FILTRE À AIR

**▲ AVERTISSEMENT** : *le refroidisseur complémentaire, la tête de pompe et les pièces contiguës sont très chauds; ne pas y toucher. (Consulter les surfaces chaudes identifiées à la page 16.)*

- S'assurer que l'appareil est arrêté.
- Laisser refroidir l'appareil.
- Dévisser le filtre en le tournant vers la gauche pour le retirer de la tête de pompe.
- Séparer le corps du filtre en deux moitiés.
- Si l'élément doit être nettoyé, utiliser un jet d'air. En cas de doute, remplacer l'ensemble du filtre s'il est impossible de nettoyer l'élément à fond.
- Rassembler le corps du filtre.

- Réinstaller le filtre sur la tête de pompe en le vissant à la main vers la droite.

### MISE EN MARCHÉ DE L'APPAREIL

Suivre les procédures de pré-démarrage et de démarrage décrites dans la section « Mode d'emploi » du présent guide.

### ARRÊT DE L'APPAREIL

Suivre les procédures d'arrêt décrites dans la section « Mode d'emploi » du présent guide.

### RÉGLAGE DU RÉGULATEUR

- Tirer sur le bouton du régulateur. (Compresseur D55155)
- Tourner le bouton vers la droite pour augmenter la pression régulée, ou vers la gauche pour la diminuer.
- Lorsque la pression voulue est indiquée sur le manomètre réglé, pousser sur le bouton pour le verrouiller. (Compresseur D55155)

### INSTALLATION DU BOYAU

**▲ AVERTISSEMENT** : *saisir fermement le boyau pour l'installer ou le désaccoupler afin de prévenir les coups de fouet.*

- S'assurer que le manomètre réglé indique 0 lb/po<sup>2</sup>.
- Saisir le boyau au niveau du raccord.
- Tirer sur le collet du raccord rapide femelle situé sur le compresseur.
- Pousser le raccord mâle dans le raccord femelle.
- Libérer le raccord femelle.
- Saisir le boyau et tirer sur ce dernier pour s'assurer que les raccords sont bien fixés.
- Régler le régulateur à la pression voulue.

### DÉSACCOUPEMENT DU BOYAU

**▲ AVERTISSEMENT** : *saisir fermement le boyau pour l'installer ou le désaccoupler afin de prévenir les coups de fouet.*

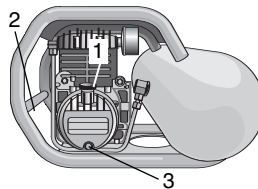
1. S'assurer que le manomètre réglé indique 0 lb/po<sup>2</sup>.
2. Saisir le boyau au niveau du raccord.
3. Tirer sur le collet du raccord rapide femelle situé sur le compresseur.
4. Tirer sur le raccord mâle pour le désaccoupler du raccord femelle.
5. Libérer le raccord femelle.

### PURGE DU RÉSERVOIR

**▲ AVERTISSEMENT :** *le réservoir contient de l'air haute pression. Garder l'orifice de purge éloigné du visage et du corps. Porter des lunettes de protection pendant la purge puisque des débris risquent d'atteindre le visage. Porter des protecteurs auditifs car le flux d'air émet un sifflement strident pendant la purge.*

**REMARQUE :** tous les systèmes à air comprimé génèrent un condensat qui s'accumule à un point de vidange (par exemple, un réservoir, un filtre, un refroidisseur complémentaire ou un sécheur). Ce condensat peut contenir du lubrifiant ou des substances contrôlées, ou encore les deux, et doit être éliminé conformément aux lois et aux règlements locaux, provinciaux et fédéraux.

1. S'assurer que l'interrupteur « ON/OFF » est réglé à la position « OFF ».
2. Incliner le compresseur jusqu'à ce que les robinets de purge se trouvent à la position la plus basse pour faciliter l'élimination de toute trace d'humidité, de saletés, etc. du réservoir.
3. Mettre un contenant approprié sous l'orifice de purge pour y laisser s'écouler les débris.
4. Ouvrir le robinet à partir du bas, en s'assurant d'éloigner les mains des composants chauds.



5. Tourner lentement le levier, ou tourner le bouton vers la gauche, pour purger graduellement l'air du réservoir.
6. Lorsque la pression du réservoir atteint 10 lb/po<sup>2</sup>, tourner le levier ou le bouton pour l'ouvrir complètement.
7. Fermer le robinet de purge une fois terminé.

### Préparation avant utilisation

#### ÉTAPES INITIALES

Lire et comprendre toutes les consignes de sécurité avant d'installer le compresseur.

1. Retirer le bouchon d'huile.
  2. Verser d'huile synthétique DEWALT dans le carter. (Lire de caractéristiques.)
- ▲ AVERTISSEMENT : LE CARTER DU COMPRESSEUR D'AIR NE CONTIENT PAS D'HUILE AU MOMENT DE LA LIVRAISON; ON DOIT DONC EN AJOUTER.**
3. Insérer la jauge d'huile.
  4. Fermer le robinet de purge du réservoir.

**▲ MISE EN GARDE :** *ne pas faire fonctionner le compresseur sans lubrifiant ou avec un lubrifiant inadéquat. DEWALT ne peut pas être tenue responsable des défaillances de compresseur causées par une lubrification inadéquate.*

### Compatibilité

Les outils pneumatiques et les accessoires qu'on utilise avec le compresseur doivent être compatibles avec les produits à base de pétrole. Si on soupçonne qu'un matériel n'est pas compatible avec ces produits, éliminer l'humidité et les vapeurs d'huile de l'air comprimé au moyen d'un séparateur d'eau.

**REMARQUE :** toujours utiliser un séparateur d'eau pour éliminer l'humidité et les vapeurs d'huile lorsqu'on vaporise de la peinture.

## Emplacement

**▲ MISE EN GARDE :** afin d'éviter d'endommager le compresseur d'air, ne pas l'incliner à plus de 10° de la position horizontale normale lorsqu'il fonctionne.

Lorsque le compresseur portatif est en marche, les supports en caoutchouc doivent reposer sur une surface horizontale plane. Laisser un espace d'au moins 0,91 m (3 pi) autour du compresseur pour assurer une ventilation appropriée. Éloigner l'appareil des zones à atmosphère chargée de saletés, de vapeur ou d'émanations qui risquent d'obstruer le filtre et les soupapes d'admission d'air, ou de s'y agglutiner, ce qui réduirait l'efficacité de fonctionnement.

**REMARQUE :** le compresseur à réservoir unique D55155 est conçu de manière à être transporté à la verticale; il se replace à la position horizontale appropriée lorsqu'on l'installe sur une surface plane.

## ENVIRONNEMENTS HUMIDES

Dans les environnements souvent humides, l'humidité peut s'accumuler dans la pompe à vide et se condenser dans le lubrifiant, entraînant ainsi l'usure prématurée des pièces mobiles. Un excès d'humidité risque de se produire dans l'appareil si elle est située dans un environnement non chauffé soumis à des variations thermiques importantes. Il existe deux signes d'humidité excessive : une condensation se forme à l'extérieur de la pompe à vide lorsqu'elle refroidit, et le lubrifiant à base de pétrole prend une apparence laiteuse. On peut empêcher la formation d'humidité dans la pompe à vide en augmentant la ventilation ou en la faisant fonctionner plus longtemps.

## ÉLECTRICITÉ

Lire les consignes de sécurité avant d'utiliser l'appareil. Au besoin, respecter les consignes de sécurité concernant l'utilisation d'une rallonge. Toujours régler l'interrupteur du compresseur d'air à la position « OFF » avant de débrancher le cordon de la prise de courant.

## CONDITIONS DE BRUIT

Consulter les organismes de réglementation locaux pour connaître les niveaux de bruit permis dans votre région. Pour réduire le bruit excessif, installer des supports antivibratoires ou des silencieux, déplacer l'appareil ou encore, construire une enceinte close ou des murs déflecteurs. Communiquer avec un centre de service DEWALT ou composer le 1 800 433-9258 pour obtenir de l'aide.

## TRANSPORT

Lorsqu'on transporte le compresseur dans un véhicule quelconque, y compris une semi-remorque, s'assurer que les réservoirs sont purgés et que l'appareil est solidement ancré. Conduire prudemment afin d'éviter de faire basculer l'appareil à l'intérieur du véhicule et d'endommager ainsi ce dernier ou les pièces contiguës.

## DÉPLACEMENTS

Déplacer le compresseur en saisissant fermement la poignée et le transporter en le maintenant aussi près du corps que possible.

**▲ AVERTISSEMENT :** garder les pieds bien ancrés et faire preuve d'une grande prudence lorsqu'on déplace le compresseur afin d'éviter de perdre l'équilibre.

## Filtre à air

**▲ MISE EN GARDE :** ne jamais faire fonctionner le compresseur sans filtre à air.

## Exigences générales

Les conduites, les raccords, la bêche de récupération, etc. doivent être approuvés, à tout le moins, pour une utilisation sans danger pour la pression de service maximale de l'appareil. Utiliser des conduites en acier ou en cuivre dur soudées ou filetées, des raccords en fonte et des boyaux certifiés sans danger pour la pression et la température de refoulement de l'appareil. Enrober tous

les filets d'un scellant prévu à cette fin et serrer les joints à fond afin de prévenir les fuites d'air. **NE PAS UTILISER DE PLASTIQUE PVC.**

### CONDUITE DE VIDANGE DE CONDENSAT

Pour installer une conduite de vidange de condensat, utiliser une conduite d'au moins un diamètre supérieur au raccord, aussi courte et directe que possible, fixée solidement et raccordée à un point de vidange approprié. On doit éliminer le condensat conformément aux lois et règlements locaux, provinciaux et fédéraux.

**REMARQUE** : tous les systèmes à air comprimé génèrent un condensat qui s'accumule à un point de vidange (par exemple, un réservoir, un filtre, un refroidisseur complémentaire ou un sécheur). Ce condensat peut contenir du lubrifiant ou des substances contrôlées, ou encore les deux, et doit être éliminé conformément aux lois et règlements locaux, provinciaux et fédéraux.

## Mode d'emploi

### LISTE DE VÉRIFICATION DE PRÉ-DÉMARRAGE

1. S'assurer que l'interrupteur « ON/OFF » est réglé à la position « OFF ».
2. S'assurer que le réservoir est purgé afin d'éliminer toute trace d'humidité, de poussière, etc.
3. S'assurer que le manomètre du réservoir indique 0 lb/po<sup>2</sup>.
4. S'assurer que la soupape de sûreté et le robinet de purge fonctionnent correctement.
5. S'assurer que le robinet de purge est bien fermé.
6. Vérifier le niveau d'huile dans la pompe.

**REMARQUE** : le carter du compresseur d'air ne contient pas d'huile au moment de la livraison; on doit donc en ajouter avant d'utiliser l'appareil.

7. S'assurer que les dispositifs et les couvercles de protection sont présents et bien fixés, et que les étiquettes sont bien apposées et lisibles. Ne pas utiliser le compresseur avant d'avoir vérifié tous ces articles.

### DÉMARRAGE

1. S'assurer que le levier « ON/OFF » du pressostat est réglé à la position « OFF ».
2. Tirer sur le bouton du régulateur et le tourner vers la gauche pour le fermer complètement, puis le pousser pour le verrouiller. S'assurer que le manomètre régulé indique 0 lb/po<sup>2</sup>.
3. Raccorder le cordon d'alimentation sur une prise de mise à la terre.
4. Régler le levier « ON/OFF » à la position « ON ». Laisser le compresseur atteindre la pression de déclenchement (l'appareil s'arrête automatiquement).

**REMARQUE** : lorsque le réservoir est vide et que l'appareil est mis en marche pour la première fois, il émet un sifflement. Ce sifflement est normal et provient des soupapes de démarrage à froid qui laissent l'air s'échapper des conduites du compresseur. Ce sifflement se produira encore à l'arrêt de l'appareil car la soupape de décompression du pressostat vide l'air des conduites.

5. Fixer le boyau et les accessoires.
6. Régler le régulateur jusqu'à la position voulue.

**REMARQUE** : si on remarque un bruit ou une vibration inhabituels, arrêter le compresseur et consulter la section de dépannage du présent guide.

### Arrêt

**REMARQUE** : ne JAMAIS arrêter le compresseur d'air en le débranchant de la source d'alimentation électrique afin d'éviter de l'endommager.

1. Régler le levier « ON/OFF » à la position « OFF ».

**REMARQUE** : si on n'utilise plus le compresseur, passer aux étapes de 2 à 7 indiquées ci-dessous.

2. Débrancher le cordon de la prise de courant.
3. Tourner le bouton du régulateur vers la gauche pour le fermer complètement.

S'assurer que le manomètre réglé indique 0 lb/po<sup>2</sup>.

4. Enlever le boyau et les accessoires.
5. Purger les réservoirs d'air.
6. Laisser refroidir le compresseur.
7. Nettoyer le compresseur d'air à l'aide d'un chiffon et l'entreposer dans une zone sécuritaire, à l'abri du gel.

## Entretien

Suivre les procédures décrites ci-dessous lorsqu'on effectue les opérations d'entretien ou de maintenance du compresseur d'air.

1. Arrêter le compresseur d'air.
2. Débrancher le cordon de la prise électrique.
3. Purger les réservoirs.
4. Laisser refroidir le compresseur d'air avant de commencer l'entretien.

**REMARQUE** : les circuits d'air comprimé contiennent des pièces d'entretien (p. ex. huile de lubrification, filtres, séparateurs) qui sont remplacées périodiquement.

Ces pièces usagées peuvent être, ou peuvent contenir, des substances qui sont contrôlées et doivent être mises au rebut conformément aux lois et aux règlements locaux, provinciaux et fédéraux.

**REMARQUE** : noter l'emplacement et la position des pièces pendant le démontage pour faciliter le remontage.

Les séquences et les pièces de montage illustrées peuvent varier d'un appareil à l'autre.

**REMARQUE** : toute opération d'entretien qui n'est pas comprise dans cette section doit être effectuée par le personnel d'entretien autorisé.

## Programme de maintenance

Entretien	Jour	Sem.	Mois	200 hrs
Vérifier le niveau d'huile de la pompe	X			
Vérifier les fuites d'huile		X		
Purger la condensation dans les réservoirs d'air	X			
Vérifier les bruits et les vibrations inhabituels	X			
Vérifier les fuites d'air*	X			
Vérifier la courroie	X			
Inspecter le filtre à air		X		
Nettoyer l'extérieur du compresseur		X		
Vérifier la soupape de sûreté			X	
Vérifier le réglage de la courroie			X	
Changer l'huile de la pompe**				X

\* On doit changer l'huile de la pompe après les 20 premières heures de fonctionnement. Par la suite, effectuer le changement d'huile toutes les 200 heures ou une fois par an, selon la première éventualité. Dans des environnements difficiles, l'entretien doit être effectué selon un horaire plus accéléré. Toujours utiliser de l'huile synthétique DEWALT.

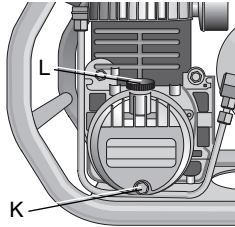
**\*\* Pour vérifier les fuites d'air, appliquer une solution d'eau savonneuse autour des joints.**

*Alors que le compresseur atteint la pression de déclenchement voulue, couper la pression et vérifier la présence de bulles d'air autour des joints.*

## **Vidange d'huile de la pompe du compresseur**

**REMARQUE :** l'huile de la pompe contient des substances qui sont contrôlées et doivent être mises au rebut conformément aux lois et aux règlements locaux, provinciaux et fédéraux.

**▲ AVERTISSEMENT :** le refroidisseur complémentaire, la tête de pompe et les pièces contiguës sont très chauds; ne pas y toucher. (Consulter les surfaces chaudes identifiées à la page 19.)



1. S'assurer que l'appareil est arrêté.
2. Laisser refroidir l'appareil.
3. Mettre un contenant approprié sous le bouchon de vidange (K).
4. Retirer la jauge d'huile (L) du carter.
5. Enlever le bouchon de vidange d'huile.
6. Laisser suffisamment de temps pour permettre à l'huile de s'écouler (incliner le compresseur vers le bouchon de vidange pour faciliter la vidange).
7. Réinstaller le bouchon de vidange d'huile.
8. Verser d'huile de compresseur synthétique DEWALT dans la pompe. (Lire de caractéristiques.)
9. Réinstaller la jauge d'huile.

## **Accessoires**

Les accessoires recommandés pour l'outil sont offerts chez les dépositaires locaux ou dans les centres de service autorisés. Pour obtenir plus d'information sur les accessoires, communiquer avec DEWALT Industrial Tool Co., 701 East Joppa Road, Baltimore, MD 21286, aux États-Unis, ou composer le 1 800 433-9258.

**▲ MISE EN GARDE :** l'usage d'un accessoire non recommandé peut présenter un danger.

### **SERVICE**

Il est important d'avoir en main les renseignements suivants lors d'un appel de service :

Numéro de modèle : \_\_\_\_\_

Numéro de série : \_\_\_\_\_

Date et lieu de l'achat : \_\_\_\_\_

### **Important**

Pour assurer la SÉCURITÉ et la FIABILITÉ de cet outil, toutes les opérations de réparation, d'entretien et de réglage doivent être effectuées dans un centre de service autorisé ou par du personnel qualifié; on ne doit utiliser que des pièces de rechange identiques.

### **Garantie complète d'un an**

Les compresseurs à air à usage intensif DEWALT sont garantis un an à compter de la date d'achat. Nous réparerons, à nos frais, tout défaut pour vice de matière ou fabrication. Pour plus d'informations relatives aux réparations sous garantie, appelez le 1-800-433-9258 (1-800-4 DEWALT). Cette garantie ne s'applique pas aux accessoires ou à tout dommage causé par des réparations effectuées ou tentées par un tiers. Cette garantie confère des droits légaux particuliers à l'acheteur, mais celui-ci pourrait aussi bénéficier d'autres droits variant d'un territoire à l'autre.

**REPLACEMENT GRATUIT DE L'ÉTIQUETTE D'AVERTISSEMENT** : en cas de perte ou d'endommagement des étiquettes d'avertissement, composer le 1 800 433-9258 afin d'en obtenir de nouvelles sans frais.

<b>Problème</b>	<b>Code de problème</b>
Le compresseur ne fonctionne ou ne redémarre pas .....	16 ,17,18,19,20,36
L'appareil n'atteint pas son régime ou atteint lentement son régime .....	3 ,8,11,12,14,15,20,21,22,24,25,31
Le compresseur ne souffle pas assez d'air.....	1,3,7,8,9,10,11,21,24,25,28,29
La pression de l'outil pneumatique ou de l'accessoire est insuffisante.....	1,3,7,8,9,10,11,21,24,25,27,28,29
La consommation d'huile est élevée.....	1,12,15,30,32
L'appareil en marche est très chaud. Les démarrages et arrêts sont excessifs .....	7,20,21,24,25,29
Le bruit est excessif lors du fonctionnement.	
Il y a présence d'humidité dans l'air de décharge.....	34,35
Il y a présence d'humidité dans le carter ou de rouille dans les cylindres, ou le lubrifiant de pétrole a une apparence « laiteuse » .....	6,7,9,10,15,25,26,33,35
Il y a de l'huile dans l'air de décharge (pompage d'huile) .....	2,6,8,9,10,11,15,31,32
L'huile s'écoule du joint d'arbre.....	12
La soupape de sûreté a bondi .....	22, 23
L'air fuit au niveau de la pompe .....	25
L'air fuit au niveau des raccords .....	25
L'air fuit du réservoir .....	26
La bague de piston ou le cylindre présente une usure anormale .....	2, 4,5,6,9,10,11,13

### GUIDE DE DÉPANNAGE

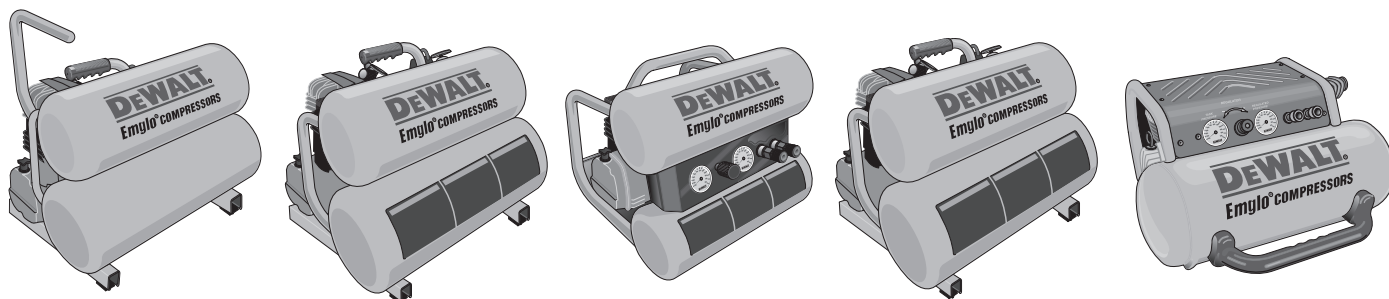
Cette section fournit une liste des défauts de fonctionnement les plus fréquents, leurs causes et les mesures correctives qui s'imposent. L'opérateur ou le personnel de maintenance peut effectuer certaines mesures correctives, et d'autres peuvent nécessiter l'aide d'un technicien DEWALT qualifié ou d'un détaillant.

Code Cause possible	Solution possible
1 L'entrée et/ou la sortie du séparateur d'eau est bloqué ou sale.	Le nettoyer ou le remplacer.
2 La viscosité du lubrifiant est trop faible.	Vidanger le lubrifiant existant et remplir avec du lubrifiant synthétique DEWALT.
3 La viscosité du lubrifiant est trop élevée.	Vidanger le lubrifiant existant et remplir avec du lubrifiant synthétique DEWALT.
4 Le niveau de lubrifiant est trop bas.	Ajouter du lubrifiant au carter pour atteindre le niveau approprié.
5 Un lubrifiant de type détergent est utilisé.	Vidanger le lubrifiant existant et remplir avec du lubrifiant synthétique DEWALT.
6 Les cycles d'utilisation sont très courts.	Faire fonctionner l'appareil pendant des cycles d'utilisation plus longs.
7 L'air s'échappe des conduites de sortie d'air.	Vérifier les conduites et les raccords.
8 Le clapet de non-retour du compresseur est desserré ou brisé ou le carbone s'est accumulé sur le clapet.	Vérifier le clapet. Le nettoyer ou le remplacer au besoin.
9 Du carbone s'est accumulé sur le piston de la pompe du compresseur.	Nettoyer le piston. Le réparer ou le remplacer au besoin.
10 Les bagues du piston sont endommagées ou usées (brisées, de forme irrégulière ou égratignées).	Le jeu aux extrémités des bagues ou le dégagement latéral est excessif. Les bagues du piston ne sont pas bien fixées et sont coincées dans les rainures. Les écartements ne sont pas décalés aux extrémités. Poser de nouvelles bagues.
11 Le cylindre ou le piston est égratigné, usé ou comporte des rainures.	Le réparer ou le remplacer au besoin.
12 La bielle, l'axe de piston ou les coussinets de la tête de bielle sont usés.	Vérifier chaque pièce. Les réparer ou les remplacer au besoin.
13 Le joint d'étanchéité du vilebrequin est usé ou le vilebrequin comporte des rainures.	Remplacer le joint ou le vilebrequin.
14 L'atmosphère est extrêmement poussiéreuse.	Installer un filtre plus efficace ou déplacer l'appareil.
15 La température ambiante est trop basse.	Déplacer l'appareil dans un environnement plus chaud. S'assurer que le carter contient de l'huile synthétique DEWALT.



<b>Code Cause possible</b>	<b>Solution possible</b>
16 La finition du cylindre est usée.	Sabler le cylindre au moyen d'une lime flexible de 180 grains
17 Le cordon d'alimentation n'est pas branché.	Brancher le cordon dans la prise de mise à la terre.
18 Le pressostat est réglé à la position « OFF »	Régler le pressostat à la position « AUTO »
19 Le dispositif de protection contre les surcharges thermiques du moteur est déclenché.	Arrêter le compresseur d'air, laisser refroidir le moteur, puis appuyer fermement sur le bouton de protection contre les surcharges thermiques (situé sur le moteur).jusqu'à ce qu'on entende un déclic.
20 Le fusible est fondu ou le circuit est déclenché.	Remplacer le fusible ou réenclencher le disjoncteur. Vérifier le fusible approprié; seuls les fusibles de type T « Fusetron » sont acceptés. Vérifier si la tension est basse. Débrancher les autres appareils électriques du circuit ou faire fonctionner le compresseur sur son propre circuit de dérivation.
21 Le calibre du fil ou la longueur de la rallonge sont inappropriés	Si possible, éliminer la rallonge. Vérifier le guide à la page 7 pour obtenir calibre de fil et la longueur de rallonge approprié.
22 La pression d'air du réservoir dépasse la pression d'enclenchement du pressostat.	Lorsque la pression est réglée à la position « AUTO », le moteur démarre automatiquement lorsque la pression du réservoir d'air descend sous la pression d'enclenchement.
23 La soupape de sûreté du pressostat n'a pas libéré de pression de la tête de pompe.	Purger les réservoirs. Si le problème persiste, communiquer avec le service à la clientèle DeWALT au 1 800 433-9258.
24 Le moteur, le condensateur de moteur ou le pressostat est défectueux.	Communiquer avec le service à la clientèle DeWALT au 1 800 433-9258.
25 Le pressostat n'arrête pas le moteur lorsque le compresseur d'air atteint la pression de déclenchement.	Régler le pressostat à la position « OFF ». Si le moteur ne s'arrête pas, débrancher le compresseur d'air. Si les contacts électriques sont soudés ensemble, remplacer le pressostat.
26 Le compresseur d'air n'est pas assez grand pour l'air requis.	Vérifier les exigences en matière d'aération des accessoires. Si elles sont plus élevées que les pieds cubes par minute ou la pression limite du compresseur d'air, un compresseur d'air plus grand est requis.
27 Le pressostat est défectueux.	Remplacer le pressostat.

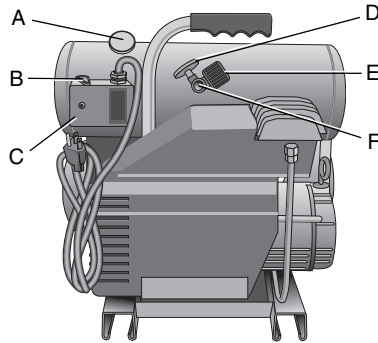
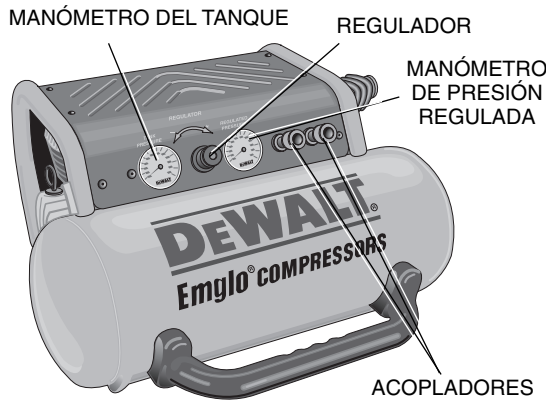
Code Cause possible	Solution possible
28 La soupape de sûreté est défectueuse.	Faire fonctionner la soupape de sûreté manuellement en tirant sur l'anneau d'essai. Si la soupape fuit toujours, la remplacer.
29 La pression du réservoir d'air est excessive.	Le pressostat est défectueux. Remplacer le pressostat.
30 Les joints d'étanchéité sont défectueux.	Remplacer et serrer les boulons à tête au couple de 8,155 à 9,515 N-m (6 à 7 lb-pi).
31 Les raccords ne sont pas assez serrés.	<b>AVERTISSEMENT</b> : purger l'air avant de serrer les raccords, puis les serrer à l'endroit où l'échappement d'air n'est pas audible. Vérifier le joint à l'aide d'une solution savonneuse. Ne pas trop serrer.
32 Le réservoir d'air est défectueux ou rouillé.	Remplacer le réservoir d'air. Ne pas essayer de le réparer.
33 Le bouton du régulateur de pression n'est pas réglé à une pression suffisamment élevée ou le régulateur de pression est défectueux.	Régler le bouton du régulateur de pression à la position appropriée ou le remplacer.
34 Le boyau ou les raccords des boyaux sont trop petits ou trop longs.	Remplacer par un boyau ou des raccords de plus grandes dimensions.
35 La soupape flexible semble-être défectueuse.	Enlever la tête de pompe et vérifier la plaque de la soupape et la soupape flexible. Nettoyer ou remplacer les soupapes au besoin.
36 Le compresseur d'air est déposé sur une surface inégale.	Ne pas incliner le compresseur d'air de plus de 10° dans un sens quelconque pendant qu'il est en marche.
37 Le carter est trop rempli d'huile.	Vidanger l'huile. Remplir avec de l'huile synthétique DEWALT jusqu'au niveau approprié.
38 L'évent de la jauge d'huile est obturé.	Nettoyer l'évent.
39 Il y a de l'eau dans l'huile en raison de la condensation.	Vidanger l'huile. Remplir avec de l'huile synthétique DEWALT jusqu'au niveau approprié.
40 Il y a de la condensation dans le réservoir d'air en raison du niveau élevé d'humidité atmosphérique.	Purger le réservoir d'air après chaque utilisation. Purger le réservoir d'air plus souvent en température humide et utiliser un séparateur d'eau.
41 L'appareil est situé dans un endroit humide.	Déplacer l'appareil.



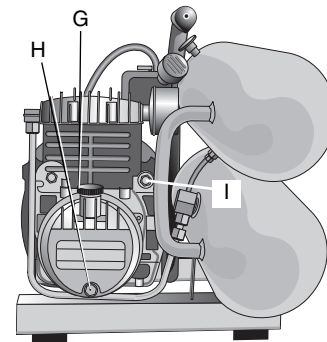
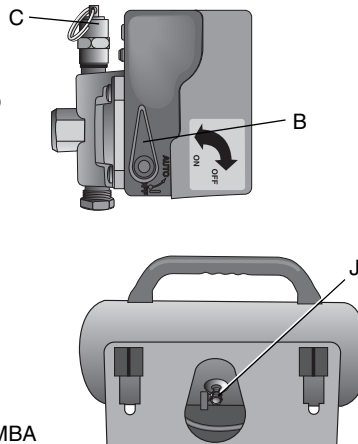
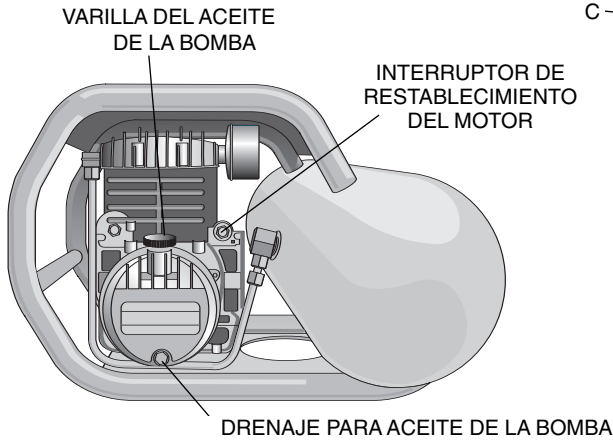
### ESPECIFICACIONES

MODELO	D55150	D55151	D55152	D55153	D55155
<b>PESO</b>	25,85 kg	25,4 kg	24,94 kg	26,3 kg	27,67 kg
<b>ALTURA</b>	42,5 cm	42,5 cm	62,4 cm	42,5 cm	48,75 cm
<b>ANCHO</b>	70,2 cm	70,2 cm	70,2 cm	70,2 cm	84,82 cm
<b>LONGITUD</b>	58,5 cm	58,5 cm	70,2 cm	58,5 cm	84,82 cm
<b>MOTOR</b>	1 HP(max),120 V. 12 A. 60 Hz. 1725 RPM	2.5 HP(max), 120 V. 15 A. 60 Hz. 3450 RPM	2.75 HP(max), 120 V. 14 A. 60 Hz. 3450 RPM	2.75 HP(max), 120 V. 14 A. 60 Hz. 3450 RPM	2.75 HP(max), 120 V. 15 A. 60 Hz. 3450 RPM
<b>ACEITE DE LA BOMBA</b>	118,3 ml.	177,4 ml.	236,6 ml.	236,6 ml.	118,3 ml.
<b>CFM</b>	4.0@40 3.4@60 2.8@90 2.6@100	4.3@40 3.9@60 3.3@90 3.2@100	5.1@40 4.6@60 4.0@90 3.8@100	5.1@40 4.6@60 4.0@90 3.8@100	5.4@40 5.1@60 4.6@90 4.5@100

**Español**



- A. MANÓMETRO DEL TANQUE
- B. PALANCA DE ENCENDIDO Y APAGADO
- C. INTERRUPTOR DE PRESIÓN
- D. MANÓMETRO DE PRESIÓN REGULADA
- E. REGULADOR
- F. ACOPLADOR
- G. VARILLA DEL ACEITE DE LA BOMBA
- H. DRENAJE PARA ACEITE DE LA BOMBA
- I. INTERRUPTOR DE RESTABLECIMIENTO DEL MOTOR
- J. VÁLVULA DE DRENAJE
- K. AVÁLULA DE ALIVIO DE SEGURIDAD



**Español**

SI TIENE CUALQUIER PREGUNTA O COMENTARIO ACERCA DE ESTA O DE CUALQUIER HERRAMIENTA DEWALT, POR FAVOR LLÁMENOS AL **1-800-4-DEWALT (1-800-433-9258)**.

**⚠ ¡ADVERTENCIA!** Lea y comprenda todas las instrucciones antes de operar este compresor. No seguir todas las instrucciones enumeradas a continuación puede ocasionar choques eléctricos, incendios y (o) lesiones personales de gravedad.

## CONSERVE ESTAS INSTRUCCIONES

### Instrucciones de seguridad

**⚠ ADVERTENCIA:** Algunos polvos generados por este producto contienen sustancias químicas que, en el estado de California, se consideran causantes de cáncer, defectos congénitos y otros daños reproductivos. Ejemplos de estas sustancias son:

- compuestos en fertilizantes
- compuestos en insecticidas, herbicidas y pesticidas
- arsénico y cromo proveniente de leña tratada químicamente

Para reducir su exposición a estas sustancias, lleve equipo de seguridad aprobado, tal como mascarillas antipolvo especialmente diseñadas para filtrar partículas microscópicas.

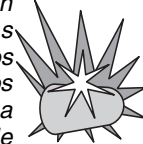
**⚠ ADVERTENCIA:** el Uso de este producto lo expondrá a sustancias químicas conocidas al Estado de California de causar el cancer, los defectos del nacimiento y otro daño reproductor. **Evite vapores que inhalan y el polvo, y manos de lavado después de usar.**

**⚠ ADVERTENCIA:** Este producto contiene sustancias químicas, entre ellas plomo, que en el estado de California se consideran causantes de cáncer, defectos congénitos y otros daños reproductivos. **Lávese las manos después de manipularlo.**

El usuario del compresor de aire debe comprender estas instrucciones. Cada persona que opere el compresor debe estar sano de mente y cuerpo y no debe estar bajo la influencia de ninguna sustancia que pudiera afectar su visión, destreza o juicio.

### TANQUE DE AIRE

El tanque de su compresor de aire está diseñado y puede estar clasificado como UM (para unidades con tanques con diámetro mayor a 15 cm) de acuerdo con las regulaciones de ASME, sección VIII, div. 1. Todos los contenedores a presión deben inspeccionarse cada dos años. Para encontrar al inspector de contenedores a presión de su estado, busque bajo la División de Trabajo e Industrias en la sección del gobierno del directorio telefónico, o llame al 1-800-4DEWALT para que le asistan.



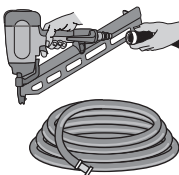
Las siguientes condiciones pueden llevar a debilitar el tanque, y ocasionar un explosión violenta.

1. **No drenar el agua que se condensa en el tanque ocasiona corrosión y adelgazamiento del acero del tanque.** Drene el tanque a diario o después de cada uso. Si el tanque desarrolla una fuga, reemplácelo de inmediato con un tanque nuevo o con un juego para compresor.
2. **Modificaciones o intentos de reparaciones al tanque del compresor.** Nunca taladre, suelde ni haga ningún tipo de modificaciones al tanque o a sus dispositivos.
3. **No modifique el interruptor de presión, la válvula de seguridad, ni cualquier otro componente que controle la presión del tanque.** El tanque está diseñado para soportar presiones de operación específicas. Nunca haga ajustes o sustituciones de partes para alterar los ajustes de operación de fábrica.

### DISPOSITIVOS Y ACCESORIOS

Exceder la capacidad de presión de las herramientas de aire, pistolas de rocío, accesorios operados con aire, neumáticos y otros

objetos inflables puede ocasionar que estallen o salgan despedidos, causando lesiones graves. Para el esencial control de la presión del aire, deberá instalar un regulador de presión y un manómetro a la salida de aire de su compresor. Siga las recomendaciones de los fabricantes del equipo y nunca exceda la presión máxima permitida para los dispositivos. Nunca utilice el compresor para inflar objetos pequeños de baja presión como juguetes, balones, etc.



### RIESGO DE EXPLOSIÓN O INCENDIO

Es normal para los contactos eléctricos dentro del motor y del interruptor de presión que produzcan chispas. Opere siempre el compresor en un área bien ventilada, libre de materiales combustibles y vapores de solventes o gasolina. Si las chispas del compresor hacen contacto con los vapores inflamables, pueden encenderse, ocasionando un incendio o explosiones. Si va a rociar materiales inflamables, coloque el compresor a una distancia de al menos 6 metros del área de rocío. Se puede requerir de un tramo de manguera adicional.



Guarde los materiales inflamables en lugar seguro alejados del compresor.

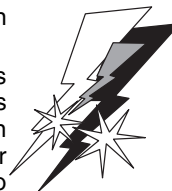
Restringir la ventilación a las aberturas del compresor ocasionará sobrecalentamiento y probablemente un incendio. Nunca coloque objetos contra el compresor o sobre éste. Opere el compresor en una área abierta a una distancia mínima de 90 cm de cualquier muro u obstrucción que restrinja el flujo de aire fresco hacia las aberturas de ventilación.

### RIESGO DE CHOQUE ELÉCTRICO

Su compresor de aire funciona con electricidad. Si no se usa adecuadamente puede ocasionar un choque eléctrico. Nunca opere

el compresor a la intemperie cuando llueva o en condiciones de humedad.

Nunca opere el compresor con guardas o cubiertas protectoras dañadas o sin ellas. Las reparaciones hechas por personal no calificado pueden ocasionar lesiones graves o muerte por electrocución. Cualquier cableado eléctrico o cualquier reparación que requiera este producto deberá ser efectuada por personal de centros de servicio autorizado de conformidad con las regulaciones eléctricas locales y nacionales.



### INSTRUCCIONES DE ATERRIZAJE

En el caso de mal funcionamiento o descompostura, la tierra proporciona un camino de menor resistencia para reducir el riesgo de choque por la corriente eléctrica. Esta herramienta está equipada con un cable equipado con un conductor a tierra y una clavija para conexión a tierra. La clavija deberá conectarse en una toma que haga juego y que esté instalada apropiadamente y aterrizada de conformidad con los códigos y regulaciones de la localidad. No modifique la clavija proporcionada: si no concuerda con la toma de corriente, haga que un electricista calificado instale una toma de corriente apropiada.

La conexión incorrecta del conductor a tierra del equipo puede ocasionar un choque eléctrico. El conductor cuyo aislamiento sea verde, con o sin franjas amarillas es el conductor a tierra del equipo. Si se requiere reparar o reemplazar el cable o la clavija, no conecte el conductor a tierra a una terminal viva.

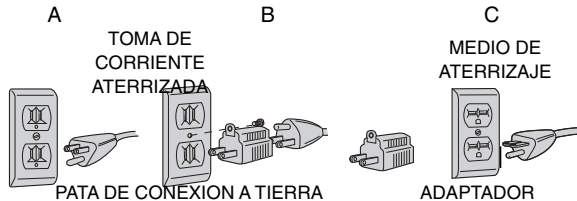
Consulte con un electricista calificado o con personal de servicio si las instrucciones de conexión a tierra no son comprendidas completamente o si tiene dudas acerca de la correcta conexión a tierra de la herramienta.

Utilice únicamente extensiones de 3 hilos que tengan clavijas para conexión a tierra con 3 patas y tomas de corriente con receptáculos de 3 polos.

### REPARE O REEMPLACE LOS CABLES DAÑADOS INMEDIATAMENTE.

### SE RECOMIENDA EL USO DE TOMAS DE CORRIENTE GFCI (CON INTERRUPTOR CONTRA FALLAS DE TIERRA) Y PUEDE SER REQUERIDO EN CIERTOS LUGARES

Herramientas aterrizadas destinadas a usarse en circuitos con tensión nominal menor a 150 volts: Esta herramienta está destinada a usarse en circuitos con tomas de corriente que se ven como la ilustrada en la figura A. La herramienta tiene una clavija para conexión a tierra que se ve como la ilustrada en la figura A. Se puede usar un adaptador temporal, similar al ilustrado en las figuras B y C, para conectar esta clavija a una toma de corriente de 2 receptáculos como se observa en la Figura B si no hay una toma de corriente aterrizada apropiada. El adaptador temporal debe utilizarse únicamente hasta que un electricista calificado instale una toma de corriente aterrizada apropiada. La lengüeta color verde, que



sobresale del adaptador debe conectarse a tierra permanente, como una toma de corriente aterrizada.

El adaptador (C) no debe usarse en Canadá.

**DEWALT no recomienda el uso de cables de extensión** ya que pueden ocasionar la pérdida de potencia y el sobrecalentamiento del motor. Se recomienda el empleo de una manguera más larga en vez del cable de extensión.

Tabla para cables de extensión

Amperaje	Longitud del cable en metros		
Motor de 1.5 HP	7.6 m	15.2 m	30.5 m
16 A, 115 V	Cal. 14	Cal. 12	Cal. 10
8 A, 230 V	Cal. 16	Cal. 16	Cal. 14
Amperaje	Longitud del cable en metros		
Motor de 2 HP	7.6 m	15.2 m	30.5 m
20 A, 115 V	Cal. 14	Cal. 12	Cal. 8
10 A, 230 V	Cal. 16	Cal. 16	Cal. 14

Si es inevitable el empleo de una extensión, deberá conectarse a una toma GFCI como la que se encuentra en las cajas de circuitos o en tomas de corriente protegidas. Cuando utilice una extensión, observe lo siguiente.

### RIESGO POR OBJETOS VOLADORES

La corriente de aire comprimido puede causar daños a los tejidos suaves de la piel expuesta y puede impulsar basura, astillas, partículas sueltas y pequeños objetos a gran velocidad, ocasionando lesiones graves. Utilice siempre gafas aprobadas ANSI Z28.1 con cubiertas laterales cuando emplee el compresor. Nunca dirija la corriente de aire comprimido hacia personas o animales. Utilice únicamente pistolas de aire aprobadas por OSHA.

### RIESGO RESPIRATORIO

¡El aire comprimido de su compresor no es seguro para respirarlo! La corriente de aire puede contener monóxido de carbono, vapores

tóxicos o partículas sólidas. Nunca inhale aire del compresor, directamente o a través de un dispositivo para respirar que esté conectado al compresor.

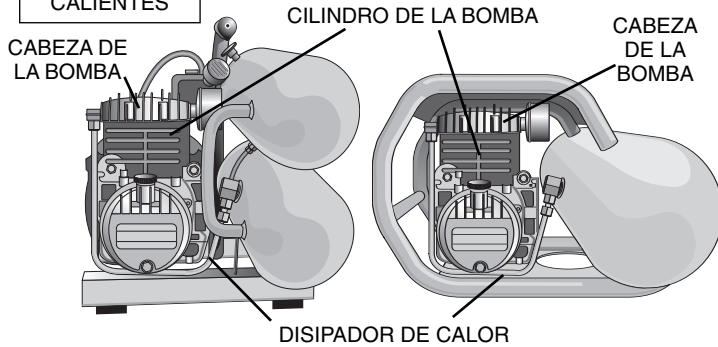
Los materiales rociados como pinturas, solventes, removedores, insecticidas, herbicidas, etc. contienen vapores dañinos y venenos. **NOTA:** Únicamente opere el compresor de aire en áreas bien ventiladas. Lea y siga las instrucciones que vienen en la etiqueta u hojas informativas de los materiales que vaya a rociar. Utilice un respirador aprobado NIOSH/MSHA diseñado para usarse específicamente con su aplicación.



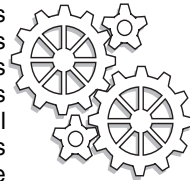
### RIESGO DE PIEZAS MÓVILES

El compresor se cicla automáticamente cuando el interruptor de presión está en la posición ON/AUTO. Apague siempre el compresor, purgue la presión de la manguera y del tanque, y desconecte de la alimentación de corriente antes de efectuar mantenimiento o de instalar herramientas y accesorios.

SUPERFICIES  
CALIENTES

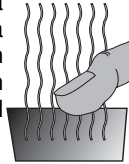


Conserve cabello, ropas y guantes alejados de las partes móviles. Las prendas de vestir sueltas, las joyas y el cabello largo pueden resultar atrapados en las piezas móviles. No retire las cubiertas protectoras de este producto. Nunca opere el compresor si las guardas o cubiertas protectoras están dañadas o fuera de su sitio. Nunca se pare sobre el compresor.



### RIESGO DE QUEMADURAS

Tocar metal expuesto como la cabeza del compresor o el tubo de salida puede resultar en quemaduras severas. Nunca toque ninguna parte metálica expuesta del compresor durante o inmediatamente después de la operación. El compresor permanecerá caliente durante varios minutos después de la operación. No mueva el compresor cuando esté en funcionamiento. Las piezas calientes del motor pueden causar quemaduras que contribuyan a la caída del compresor, daños a éste y (o) lesiones al operador.



### RIESGOS POR RUIDO

**⚠ PRECAUCIÓN:** Utilice protección auditiva personal apropiada durante el uso. Bajo algunas condiciones y duración de uso, el ruido producido por este producto puede contribuir a la pérdida auditiva.

### Introducción

¡Felicitaciones por la compra de su nuevo compresor de aire DEWALT! Puede estar seguro de que esta herramienta se ha construido con el más alto nivel de precisión. Cada componente se ha probado rigurosamente por técnicos para asegurar la calidad y el rendimiento de este compresor de aire.



Simplemente con leer los pasos que se describen a continuación sobre seguridad, instalación, operación, mantenimiento y solución



a problemas, recibirá años de operación sin problemas. El fabricante se reserva el derecho de hacer cambios en precio, color, materiales, especificaciones de equipo o modelos en cualquier momento sin previo aviso.

## Inspección del compresor

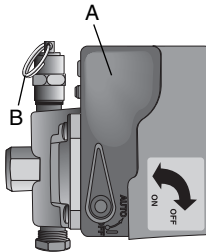
Inspeccione en busca de daños aparentes u ocultos causados por el transporte. Reporte cualquier daño al transportista de inmediato. Asegúrese de que todas las piezas dañadas sean reemplazadas y de que los problemas mecánicos sean corregidos antes de operar el compresor de aire. El número de serie se localiza en la cubierta del compresor. Por favor, escriba el número de serie en el espacio destinado para ello en la sección de servicio para futuras referencias.

**⚠ ADVERTENCIA:** Siempre que utilice herramientas eléctricas, debe observar ciertas precauciones básicas de seguridad a fin de reducir los riesgos de incendio, choque eléctrico y lesiones personales.

## Características del compresor de aire DEWALT

### INTERRUPTOR DE PRESIÓN:

Este interruptor (A) se utiliza para encender o para apagar el compresor de aire. Al mover el interruptor a la posición de encendido "ON" se proporciona energía automáticamente al interruptor de presión que permitirá que el motor se encienda cuando la presión en el tanque esté por debajo del ajuste de fábrica. En la posición "ON" (AUTO), el interruptor de presión apaga el motor cuando el tanque alcanza la presión de corte preestablecida de fábrica. Por seguridad, el interruptor cuenta con una válvula de liberación de presión que



se encuentra a un lado del interruptor diseñada para liberar automáticamente el aire comprimido de la cabeza del compresor y su línea de descarga cuando el compresor alcance la presión de "corte" o cuando se apague. Esto permite que el motor se encienda libremente. Al mover el interruptor a la posición de apagado "OFF" se abren los contactos del interruptor de presión y se apaga el compresor.

### VÁLVULA DE ALIVIO DE SEGURIDAD

Esta válvula (B) está diseñada para evitar fallas en el sistema aliviando la presión cuando el compresor alcanza un nivel predeterminado. La válvula está ajustada de fábrica y no debe ser modificada en ninguna manera.

### VÁLVULA DE DRENAJE DEL TANQUE DE AIRE

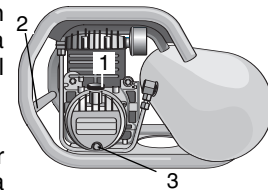
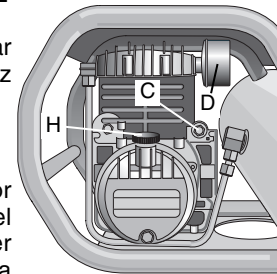
La válvula de drenaje se usa para eliminar la humedad del tanque de aire una vez que se apaga el compresor.

### PROTECTOR TÉRMICO DE SOBRECARGA

El motor eléctrico tiene un protector térmico de sobrecarga manual (C). Si el motor se sobrecalienta por cualquier razón, el protector térmico cortará la corriente, evitando así que el motor se dañe. Coloque el interruptor de presión en la posición de apagado "OFF" y espere a que el motor se enfríe antes de oprimir el botón del protector térmico.

### FILTRO DE AIRE

Este filtro (D) está diseñado para limpiar el aire que entra al compresor. Para



asegurar que la bomba continuamente reciba un suministro de aire limpio, fresco y seco, este filtro deberá siempre estar limpio y la entrada de aire deberá estar libre de obstrucciones.

### MANÓMETRO DEL TANQUE

El manómetro del tanque indica la presión del aire en el tanque.

### MANÓMETRO DE PRESIÓN REGULADA

El manómetro de presión regulada indica la presión del aire disponible a la salida del regulador. Esta presión se controla con el regulador y siempre es menor o igual a la presión del tanque.

### REGULADOR DE PRESIÓN

La perilla del regulador controla la presión del aire que viene del tanque.

### VARILLA DE MEDICIÓN DEL ACEITE

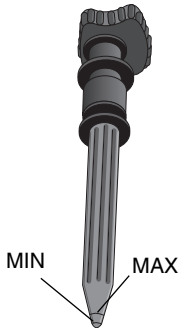
La varilla del aceite (H) indica la cantidad de aceite que hay en la bomba. El nivel del aceite debe revisarse a diario para asegurarse que no exceda la marca que señala el nivel máximo o que esté por debajo de la muesca mínima en la varilla.

## Procedimientos comunes

### REVISIÓN DEL NIVEL DE ACEITE EN LA BOMBA DEL COMPRESOR

**⚠ ADVERTENCIA:** los disipadores de calor, la cabeza de la bomba y las partes que los rodean están muy calientes, no los toque. Consulte las superficies calientes en la página 37.

1. Asegúrese de que la unidad esté apagada.
2. Coloque la unidad sobre una superficie plana y horizontal.
3. Saque la varilla (H) del puerto de llenado de aceite.



4. Busque signos visuales de contaminantes (agua, mugre, etc.) en el aceite y en la varilla.
5. Limpie el aceite de la varilla
6. Inserte completamente la varilla en el puerto de llenado de aceite por algunos segundos para permitir que el aceite bañe la varilla.
7. Saque la varilla para leer el nivel del aceite. El aceite no debe sobrepasar la línea de la parte superior (MAX) de la varilla. Si está por debajo de la marca inferior (MIN), añada aceite sintético DEWALT y siga los pasos 5 a 7.

### REVISIÓN DE LA VÁLVULA DE ALIVIO DE SEGURIDAD

**⚠ ADVERTENCIA:** el disipador de calor, la cabeza de la bomba y las partes que los rodean están muy calientes, no los toque. (Consulte las superficies calientes en la página 37.)

1. Asegúrese de que la unidad esté apagada.
2. Asegúrese de que el tanque esté vacío mirando al manómetro del tanque. Drene el tanque en caso necesario.
3. Sujete el anillo de alambre de la válvula de seguridad .
4. Tire del anillo de alivio varias veces para asegurar el libre movimiento del émbolo. Reemplace si el émbolo no se mueve o lo hace con dificultad.

### REVISIÓN DEL ELEMENTO DEL FILTRO DE AIRE

**⚠ ADVERTENCIA:** el disipador de calor, la cabeza de la bomba y las partes que los rodean están muy calientes, no los toque. (Consulte las superficies calientes en la página 37.)

1. Asegúrese de que la unidad esté apagada.
2. Permita que la unidad se enfríe.
3. Destornille el filtro de la cabeza de la bomba girándolo en sentido opuesto a las manecillas del reloj.
4. Separe el cuerpo del filtro en dos mitades.

- Si el elemento necesita limpieza, sopletéelo con aire. Reemplace el filtro si no está seguro.
- Reconecte el cuerpo del filtro.
- Enrosque el filtro en la cabeza de la bomba girándolo en el sentido de las manecillas del reloj hasta que quede apretado con la mano.

### ENCENDIDO DE LA UNIDAD

Siga los procedimientos de pre encendido y de encendido que se señalan en la sección de procedimientos de operación.

### APAGADO DE LA UNIDAD

Siga los procedimientos de apagado que se señalan en la sección de procedimientos de operación.

### AJUSTE DEL REGULADOR

- Tire de la perilla del regulador. (Compresor D55155)
- Gire la perilla en el sentido de las manecillas del reloj para aumentar la presión regulada y en sentido contrario a las manecillas del reloj para disminuirla.
- Cuando la presión que desee se muestre en el manómetro de presión regulada, empuje la perilla para asegurarla. (Compresor D55155)

### INSTALACIÓN DE MANGUERAS

**▲ ADVERTENCIA:** *sujete con firmeza la manguera en la mano al instalarla o desconectarla para evitar latigazos.*

- Asegúrese que la lectura en el manómetro de presión regulada señale 0 PSI.
- Sujete la manguera con la mano en el lugar del acoplador.
- Tire del collarín de la hembra del acoplador rápido localizado en el compresor.
- Empuje el conector macho en la hembra del conector.
- Suelte la hembra del acoplador.

- Sujete la manguera y tire para asegurarse que los acopladores hayan asentado
- Ajuste el regulador a la presión que desee.

### DESCONEXIÓN DE LAS MANGUERAS

**▲ ADVERTENCIA:** *sujete con firmeza la manguera en la mano al instalarla o desconectarla para evitar latigazos.*

- Asegúrese que la lectura en el manómetro de presión regulada señale 0 PSI.
- Sujete la manguera con la mano en el lugar del acoplador.
- Tire del collarín de la hembra del acoplador rápido en el compresor.
- Tire del conector macho fuera de la hembra del conector.
- Suelte la hembra del acoplador.

### DRENAJE DEL TANQUE

**▲ ADVERTENCIA:** *El tanque contiene aire a alta presión. Conserve la salida del drenaje lejos de su cara y otras partes del cuerpo. Utilice gafas de seguridad cuando drene ya que pueden salir expulsado desechos hacia su cara. Utilice protectores en los oídos ya que el ruido del aire es elevado al drenar.*

**NOTA:** Todos los sistemas de aire comprimido generan condensados que se acumulan en el punto de drenaje (pe. tanques, filtro, disipadores de calor, secadores). Estos condensados contienen aceite lubricante y(o) sustancias que pueden estar reglamentadas y deben desecharse de acuerdo con los reglamentos locales, estatales y federales.

- Asegúrese que el interruptor esté en posición de APAGADO "OFF".
- Mueva el compresor a una posición inclinada de manera que la(s) válvula(s) de drenaje queden en el punto más bajo (esto ayudará a eliminar la humedad, mugre, etc. de los tanques).

3. Coloque un contenedor adecuado debajo del drenaje para contener la descarga.
4. Abra la válvula desde abajo, manteniendo las manos alejadas de las partes calientes
5. Gire lentamente la palanca (o la perilla moleteada) en sentido opuesto a las manecillas del reloj para purgar gradualmente el aire del tanque.
6. Cuando el tanque esté a 10 PSI, gire la válvula a la posición completamente abierta.
7. Cierre la válvula de drenaje cuando termine.

## **Preparación para el uso**

### **AJUSTE INICIAL**

Lea las instrucciones de seguridad antes de ajustar el compresor de aire.

1. Quite la tapa del aceite.
2. Vacíe aceite sintético DEWALT en el cárter (Lea de especificaciones).

**▲ ADVERTENCIA:** EL COMPRESOR SE EMBARCA SIN ACEITE EN EL CÁRTER. AÑADA ACEITE.

3. Inserte la varilla del aceite.
4. Cierre la válvula de drenaje del tanque.

**▲ PRECAUCIÓN:** No opere el compresor sin lubricante o con el lubricante incorrecto. DEWALT no se hace responsable por fallas en el compresor causadas por lubricación inadecuada.

## **Compatibilidad**

Las herramientas neumáticas y los accesorios que funcionarán con el compresor deben ser compatibles con derivados del petróleo. Si usted sospecha que algún material no es compatible con derivados del petróleo, se requiere la instalación de un filtro en la línea de aire

comprimido para eliminar la humedad y el vapor de aceite. **NOTA:** utilice un filtro para eliminar la humedad y el vapor de aceite siempre que aplique pintura.

## **Localización**

**▲ PRECAUCIÓN:** para evitar dañar el compresor de aire, no permita que la unidad esté inclinada más de 10° de su posición horizontal normal al operar.

Todos los compresores portátiles deberían ser operados con sus patas de goma descansando sobre una superficie horizontal plana. Coloque el compresor de aire a una distancia de por lo menos 90 cm de obstáculos que pudiesen bloquear la ventilación apropiada. Conserve la unidad alejada de áreas que tengan mugre, vapor y humos volátiles en atmósferas que puedan tapar y bloquear las entradas del filtro de aire y las válvulas, causando operación ineficiente.

**NOTA:** El compresor de aire de un tanque D15155 está diseñado para ser llevado en posición vertical pero una vez colocado sobre una superficie plana se colocará en la posición horizontal correcta por sí solo.

## **ÁREAS HÚMEDAS**

En áreas con niveles de humedad frecuente, ésta se puede acumular en la bomba y producir lodo con el lubricante, ocasionando desgaste prematuro en las piezas móviles. La humedad excesiva ocurre especialmente cuando la unidad se encuentra en una zona sin control de temperatura en la que hay grandes cambios. Dos signos de humedad excesiva son la condensación externa en el cuerpo de la bomba cuando se enfría y hay una apariencia "lechosa" en el lubricante a base de petróleo del compresor. Puede evitar que se forme la humedad en la bomba aumentando la ventilación u operando durante intervalos más largos.

## ELECTRICIDAD

Consulte las instrucciones de seguridad antes de usar la unidad. Observe las instrucciones del cable de extensión en caso necesario. Apague siempre el compresor de aire antes de desconectarlo de la toma de corriente.

## CONSIDERACIONES DE RUIDO

Consulte con las autoridades de su localidad en relación a los niveles aceptables de ruido para su área. Para reducir el ruido excesivo, cambie la unidad de lugar o construya muros amortiguadores y construcciones cerradas. Comuníquese un centro de servicio DEWALT o llame al 1-800-4DEWALT para que le asistan.

## TRANSPORTE

Cuando transporte el compresor en un vehículo, remolque, etc., asegúrese de que los tanques sean drenados y de que la unidad sea asegurada. Tenga cuidado al conducir para evitar que la unidad se vuelque en el vehículo, puede dañarse así como también puede dañar lo que lo rodea en caso de volcarse.

## MOVIMIENTOS

Cuando mueva la unidad a la posición en la que será utilizada, sujete la empuñadura del mango y transporte la unidad tan cerca a su cuerpo como sea posible.

**▲ ADVERTENCIA:** asegúrese de apoyar bien los pies y de tener cuidado al transportar el compresor para evitar la pérdida de balance.

## Filtro de entrada de aire

**▲ PRECAUCIÓN:** No se opere sin el filtro de entrada de aire.

## Requerimientos generales

Las tuberías, los herrajes el tanque de recepción, etc. deben estar certificados para al menos la presión máxima de trabajo de la unidad. Utilice tubería soldada o roscada de acero o de cobre,

acopladores de hierro colado y mangueras certificadas como seguras para la presión y la temperatura de descarga de la unidad. Utilice sellador para cuerdas en todas las roscas de las tuberías y cierre bien las articulaciones para evitar fugas de aire. **NO UTILICE PVC.**

## TUBERÍA DE DESCARGA DE CONDENSADOS

Si se instalará una tubería de descarga de condensados de la línea, el tubo deberá ser al menos un tamaño más grande que la conexión, tan corto y tan directo como sea posible, apretado con seguridad y enrutado a un punto de drenaje adecuado. El condensado deberá ser desechado de conformidad con las regulaciones locales, estatales y federales.

**NOTA:** todos los sistemas de aire comprimido generan condensados que se acumulan en cualquier punto de drenaje (pe. tanques, filtros, disipadores de calor, secadores). Estos condensados contienen aceite lubricante y (o) sustancias que pueden estar reguladas y deben desecharse de acuerdo con los reglamentos locales, estatales y federales.

## Procedimientos de operación

### LISTA DE PRE ARRANQUE

1. Asegúrese de que la palanca del interruptor esté en posición de apagado "OFF".
2. Asegúrese de que el tanque se haya drenado de manera que se haya eliminado humedad, mugre, etc.
3. Asegúrese de que el manómetro del tanque ofrezca una lectura de 0 psi.
4. Asegúrese de que las válvulas de drenaje y de seguridad funcionan adecuadamente.
5. Asegúrese de que la válvula de drenaje esté cerrada.
6. Revise el nivel de aceite en la bomba.

**NOTA:** El compresor de aire se embarca sin aceite en el cárter.

7. *Asegúrese de que todas las guardas, cubiertas y etiquetas estén en su sitio, legibles (en el caso de las etiquetas) y montadas con seguridad. No utilice el compresor hasta verificar todas las piezas.*

### **ENCENDIDO**

1. Asegúrese de que la palanca "ON/OFF" del interruptor de presión esté en posición de APAGADO "OFF"
2. Tire de la perilla del regulador y gírela en sentido opuesto a las manecillas del reloj hasta quedar completamente cerrada. Empuje para asegurarla. El manómetro de presión regulada debe ofrecer una lectura de 0 psi.
3. Conecte el cable de alimentación a una toma de corriente aterrizada.
4. Mueva la palanca "ON/OFF" a la posición de encendido "ON". Permita que el compresor alcance la presión de corte (hasta que se apague automáticamente).

**NOTA:** cuando el tanque está vacío y la unidad se enciende por primera vez, se escuchará un sonido de aire. Este sonido es normal ya que las válvulas de encendido frío están permitiendo que escape aire de las líneas del compresor para ayudar en el encendido. Este ruido se escuchará también al apagar la unidad debido a que la válvula de descarga, que se encuentra bajo el interruptor de presión, está purgando el aire de las líneas.

5. Instale la manguera y el accesorio.
6. Ajuste el regulador a la presión que desee.

**NOTA:** si nota cualquier ruido o vibración inusual, apague el compresor y consulte la sección de solución a problemas frecuentes.

### **Apagado**

**NOTA:** NUNCA apague el compresor desconectándolo de la toma de corriente. Puede dañar la unidad.

1. Mueva la palanca ON/OFF a la posición de APAGADO (OFF).

**NOTA:** si ha terminado de usar el compresor, siga los pasos 2 a 7 enumerados a continuación.

2. Desconecte el cable de la toma de corriente.
3. Gire la perilla del regulador en sentido opuesto a las manecillas del reloj hasta quedar completamente cerrada. Asegúrese de que el manómetro de presión regulada ofrezca una lectura de 0 psi.
4. Desconecte la manguera y sus accesorios.
5. Drene el tanque de aire.
6. Espere a que el compresor se enfríe.
7. Limpie el compresor y guárdelo en un lugar seguro y en el que no se congele.

### **Mantenimiento**

Deben seguirse los procedimientos señalados a continuación cuando se efectúe mantenimiento o se realice servicio al compresor de aire.

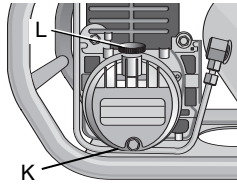
1. Apague el compresor de aire
2. Desconecte el cable de la toma de corriente
3. Drene los tanques.
4. Espere a que el compresor de aire se enfríe antes de iniciar el servicio.

**NOTA:** Todos los sistemas de aire comprimido contienen piezas de mantenimiento (pe. aceite lubricante, filtros, separadores) que deben cambiarse periódicamente. Estas piezas usadas pueden estar hechas de, o pueden contener sustancias que estén reguladas y deberán desecharse de acuerdo a las regulaciones y leyes locales, estatales y federales.

**NOTA:** Tome nota de las posiciones y localizaciones de las piezas mientras desensambla para facilitar el ensamblaje posterior. Las

secuencias de ensamblaje y las piezas ilustradas pueden diferir en su unidad en particular.

**NOTA:** Cualquier operación de servicio no incluida en esta sección deberá ser efectuada por personal de servicio autorizado.



### Tabla de mantenimiento

Procedimiento	Día	Semana	Mes	200 Hrs.
Revisar nivel de aceite	X			
Inspección de fugas de aceite	X			
Drenar condensado de tanque(s)	X			
Revisión de ruidos/vibraciones inusuales	X			
Revisión de fugas de aire**	X			
Inspección del filtro de aire		X		
Limpieza exterior del compresor		X		
Revisión de la válvula de alivio de seguridad			X	
Cambio de aceite de la bomba*				X
Cambio del filtro de aire				X

\* El aceite de la bomba deberá cambiarse después de las primeras 20 horas de operación. A partir de entonces, cada 200 horas o una vez al año, lo que ocurra primero. En ambientes agresivos, el mantenimiento deberá efectuarse con un itinerario más acelerado. Use siempre aceite sintético DEWALT.

\*\*Para revisar en busca de fugas de aire aplique una solución de agua jabonosa alrededor de las uniones cuando el compresor esté en funcionamiento y después de llegar a la presión de corte en busca de burbujas.

### Cambio de aceite de la bomba del compresor

**NOTA:** El aceite de la bomba contiene sustancias que están reguladas y deben desecharse de acuerdo con leyes y reglamentos locales, estatales y federales.

**⚠ ADVERTENCIA:** el dissipador de calor, la cabeza de la bomba y las partes que los rodean están muy calientes, no los toque. (Consulte las superficies calientes en la página 37.)

1. Asegúrese de que la unidad esté apagada.
2. Permita que la unidad se enfríe.
3. Coloque un contenedor adecuado debajo del tapón de drenaje (K).
4. Saque la varilla del aceite (L) del cárter.
5. Retire el tapón de drenaje de aceite.
6. Espere suficiente tiempo hasta que drene todo el aceite. (Inclinar el compresor hacia el tapón de drenaje le ayudará a drenarlo.)
7. Instale el tapón de drenaje.
8. Llene la bomba con aceite sintético para compresor DEWALT (Lea de especificaciones.).
9. Instale la varilla del aceite.

### Accesorios

Los accesorios recomendados para emplearse con su herramienta están a la venta con el distribuidor o centro de servicio de su localidad. Si necesita ayuda para encontrar algún accesorio para su herramienta, comuníquese a: DEWALT Industrial Tool Co., 701 East Joppa Road, Baltimore, MD 21286 o llame al 1-800-4-DEWALT.

**⚠ PRECAUCIÓN:** El empleo de cualquier accesorio no recomendado para usarse con su herramienta puede ser peligroso.

**SERVICIO**

Por favor tenga a la mano la siguiente información cuando llame al servicio.

Modelo número \_\_\_\_\_ Número de serie \_\_\_\_\_

Fecha y lugar de compra \_\_\_\_\_

**Importante**

Para garantizar la SEGURIDAD y la CONFIABILIDAD, deberán hacerse reparaciones, mantenimiento y ajustes de esta herramienta en los centros autorizados de servicio DEWALT u otras organizaciones autorizadas. Estas organizaciones prestan servicio a las herramientas DEWALT y emplean siempre refacciones legítimas DEWALT.

**Póliza de Garantía**

IDENTIFICACIÓN DEL PRODUCTO:

Sello o firma del Distribuidor.

Nombre del producto: \_\_\_\_\_ Mod./Cat.: \_\_\_\_\_

Marca: \_\_\_\_\_ Núm. de serie: \_\_\_\_\_

(Datos para ser llenados por el distribuidor)

Fecha de compra y/o entrega del producto: \_\_\_\_\_

Nombre y domicilio del distribuidor donde se adquirió el producto:

Este producto está garantizado por un año a partir de la fecha de entrega, contra cualquier defecto en su funcionamiento, así como en materiales y mano de obra empleados para su fabricación. Nuestra garantía incluye la reparación o reposición del producto y/o componentes sin cargo alguno para el cliente, incluyendo mano de obra, así como los gastos de transportación razonablemente erogados derivados del cumplimiento de este certificado.

Para hacer efectiva esta garantía deberá presentar su herramienta y esta póliza sellada por el establecimiento comercial donde se

adquirió el producto, de no contar con ésta, bastará la factura de compra.

**EXCEPCIONES.**

Esta garantía no será válida en los siguientes casos:

- Cuando el producto se hubiese utilizado en condiciones distintas a las normales;
- Cuando el producto no hubiese sido operado de acuerdo con el instructivo de uso que se acompaña;
- Cuando el producto hubiese sido alterado o reparado por personas distintas a las enlistadas al final de este certificado.

Anexo encontrará una relación de sucursales de servicio de fábrica, centros de servicio autorizados y franquiciados en la República Mexicana, donde podrá hacer efectiva su garantía y adquirir partes, refacciones y accesorios originales.

**Garantía Completa**

Las herramientas industriales DEWALT están garantizadas durante un año a partir de la fecha de compra. Repararemos, sin cargos, cualquier falla debida a material o mano de obra defectuosos. Por favor regrese la unidad completa, con el transporte pagado, a cualquier Centro de Servicio para Herramientas Industriales de DEWALT o a las estaciones de servicio autorizado enlistadas bajo "Herramientas Eléctricas" en la Sección Amarilla. Esta garantía no se aplica a los accesorios ni a daños causados por reparaciones efectuadas por terceras personas. Esta garantía le otorga derechos legales específicos, y usted puede tener otros derechos que pueden variar de estado a estado.

**REEMPLAZO GRATUITO DE LAS ETIQUETAS DE ADVERTENCIA:** Si sus etiquetas de advertencia se tornan ilegibles o se pierden, llame al 1-800-4-DEWALT para que se las reemplacen sin costo.

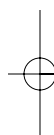
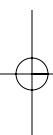
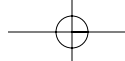


**Problema****Código del problema**

El compresor no enciende o re enciende .....	16,17,18,19,20,36
La unidad no alcanza o tarda en alcanzar velocidad.....	3,8,11,12,14,15,20,21,22,24,25,31
El compresor de aire no produce suficiente aire .....	1,3,7,8,9,10,11,21,24,25,28,29
Presión insuficiente en la herramienta neumática o sus accesorios.....	1,3,7,8,9,10,11,21,24,25,27,28,29
Alto consumo de aceite .....	2,6,9,10,11,12,15,30,32
La unidad funciona excesivamente caliente .....	1,2,4,5,10,11,12,13,15,19,30
Encendido y apagado excesivo .....	7,20,21,24,25,29
Ruido excesivo durante la operación.....	2,3,4,5,8,9,10,11,12,15,25,29,30,31
Humedad en el aire de descarga .....	34,35
Humedad en el cárter o apariencia "lechosa" en el lubricante de petróleo o formación de óxido en los cilindros .....	6,7,9,10,15,25,26,33,35
Aceite en el aire de descarga (bombeo de aceite) .....	2,6,8,9,10,11,15,31,32
Fuga de aceite del empaque de la flecha .....	12
La válvula de alivio de seguridad se "bota" .....	22,23
El aire se fuga de la bomba .....	24,25
El aire se fuga de los acopladores .....	25
El aire se fuga del tanque.....	26
Desgaste anormal del anillo del pistón o del cilindro.....	2,4,5,6,9,10,11,13

<b>Código</b>	<b>Posible causa</b>	<b>Posible solución</b>
1	Entrada y (o) filtro de línea de descarga sucios o tapados	Limpia o cambia
2	Viscosidad del lubricante muy baja	Drenar el lubricante existente y rellenar con lubricante sintético DeWALT
3	Fugas de aire en la tubería de descarga de aire	Revisar la tubería y las conexiones
4	Viscosidad del lubricante muy alta	Drenar el lubricante existente y rellenar con lubricante sintético DeWALT
5	Nivel de lubricante muy bajo	Añadir lubricante a la caja de levas hasta el nivel apropiado
6	Usado de lubricante tipo detergente	Drenar el lubricante existente y rellenar con lubricante sintético DeWALT
7	Ciclos de trabajo extremadamente ligeros	Haga funcionar la unidad por periodos más largos
8	Válvula check del compresor con fuga, rota, carbonizada o floja	Revise la válvula, limpie o repare según se requiera.
9	Formación de carbón en la parte superior del pistón	Limpie el pistón. Repare o cambie según se requiera
10	Anillos del pistón dañados o desgastados (rotos, ásperos o rayados).	Excesiva separación final o luz lateral. Los anillos del pistón no están asentados, están atascados en los canales o las separaciones finales no están alineadas Instale anillos nuevos
11	Cilindro o pistón rayados, desgastados o marcados	Repare o reemplace según se requiera
12	Varilla de conexión, perno del pistón o balero de leva gastados o marcados	Revíselos todos. Repare o reemplace según se requiera.
13	Sello del árbol de levas desgastado o árbol marcado	Cambie el sello o el montaje del árbol
14	Atmósfera extremadamente polvosa	Instale filtración más efectiva o cambie la unidad de lugar
15	Temperatura ambiental muy baja	Cambie la unidad de lugar a un ambiente más cálido. Asegúrese de que haya aceite sintético DeWALT en la caja de levas
16	Acabado de cilindro desgastado	Pula el cilindro con grano 180
17	El cable de alimentación no está conectado	Conecte el cable de alimentación a una toma de corriente aterrizada
18	Interruptor de presión en posición de apagado	Mueva el interruptor a la posición "AUTO"
19	El interruptor térmico de sobrecarga se disparó	Apague el compresor, espere a que el motor se enfríe y después oprima el botón del interruptor térmico de sobrecarga hasta que escuche un chasquido (se encuentra en el motor)
20	Fusible quemado o interruptor disparado	Cambie el fusible o restablezca el interruptor de circuito. Verifique que sea el fusible correcto, únicamente los fusibles "Fusetron" tipo T son aceptables. Revise condiciones de bajo voltaje. Desconecte cualquier otro aparato eléctrico del circuito; opere el compresor en su propia rama de circuito.
21	Extensión con calibre o longitud incorrectos	Revise la tabla de la página 36 para conocer el calibre y longitudes apropiadas para el cable de extensión

<b>Código</b>	<b>Posible causa</b>	<b>Posible solución</b>
22	La presión del tanque excede la presión de "corte"	Al ajustar la presión en la posición "Auto", el motor arrancará automáticamente cuando la presión caiga por debajo de la presión de corte.
23	La válvula de alivio de presión en el interruptor de presión no ha descargado la presión de la cabeza de la bomba	Drene los tanques. Si el problema persiste, comuníquese con el servicio a clientes al 1-800-4-DEWALT
24	Motor, capacitor del motor o interruptor de presión defectuosos	Comuníquese con el servicio a clientes al 1-800-4-DEWALT
25	El interruptor de presión no apaga el motor cuando el compresor alcanza la presión de corte	Mueva el interruptor de presión a la posición de "APAGADO". Si el motor no se apaga, desconecte el compresor. Si los contactos eléctricos están soldados, reemplace el interruptor de presión.
26	El compresor no es suficientemente grande para la cantidad de aire que se requiere	Revise los requerimientos del accesorio neumático. Si son mayores que la presión suministrada por el compresor, necesita un compresor más grande
27	Interruptor de presión defectuoso	Cambie el interruptor
28	Válvula de alivio de seguridad defectuosa	Opere la válvula de alivio de seguridad manualmente tirando del anillo de prueba. Si aún así hay fuga, reemplace.
29	Excesiva presión en el tanque	Interruptor de presión defectuoso. Reemplácelo
30	Juntas defectuosas	Reemplácelas y apriete los tornillos de la cabeza a par de 6 a 7 lbf
31	Acopladores no suficientemente apretados	Drene los tanques. Apriete los acopladores hasta que no pueda escucharse aire fugándose. Revise la unión con solución jabonosa. No apriete excesivamente. Debe cambiarse el tanque. No intente repararlo
32	Tanque de aire defectuoso u oxidado	
33	La perilla del regulador de presión no está ajustada a la presión necesaria o el regulador de presión está defectuoso	Ajuste la perilla del regulador de presión hasta el nivel apropiado o cámbielo
34	LA manguera o las conexiones de la manguera son muy pequeñas o muy largas	Cámbielas por mangueras o conectores más grandes
35	Posible válvula de filamento defectuosa filamento. Limpie o cambie las válvulas según se requiera.	Cambie la cabeza de la bomba y revise el plato de la válvula y la válvula de
36	Compresor en superficie no nivelada funcionamiento	No incline el compresor más de 10° en cualquier dirección mientras esté en
37	Nivel de aceite excedido en caja de levas	Drene el aceite. Rellene al nivel apropiado con aceite sintético DEWALT
38	Varilla de aceite mal instalada	Limpie la ventila
39	Agua en el aceite debido a condensación	Drene el aceite. Rellene al nivel apropiado con aceite sintético DEWALT
40	Condensación en el tanque de aire ocasionada por alto nivel de humedad atmosférica	Drene el aire del tanque después de cada uso. Drene el aire del tanque más frecuentemente en clima húmedo y use un filtro en la línea de aire.
41	La unidad está en un lugar mojado o húmedo	Cambie la unidad de lugar.



DEWALT Industrial Tool Co., 701 East Joppa Road, Baltimore, MD 21286 (JAN05) Form No. 5135175-02

Copyright © 2003 DEWALT

The following are trademarks for one or more DEWALT power tools: the yellow and black color scheme; the “D” shaped air intake grill; the array of pyramids on the handgrip; the kit box configuration; and the array of lozenge-shaped humps on the surface of the tool.



## Free Manuals Download Website

<http://myh66.com>

<http://usermanuals.us>

<http://www.somanuals.com>

<http://www.4manuals.cc>

<http://www.manual-lib.com>

<http://www.404manual.com>

<http://www.luxmanual.com>

<http://aubethermostatmanual.com>

Golf course search by state

<http://golfingnear.com>

Email search by domain

<http://emailbydomain.com>

Auto manuals search

<http://auto.somanuals.com>

TV manuals search

<http://tv.somanuals.com>