

Comfort Glow®

PROPANE/LP GAS DECORATIVE PATIO FIRE OWNER'S OPERATION AND INSTALLATION MANUAL



**Models
PC4670LP and
PC3460LP**

WARNING: If the information in this manual is not followed exactly, a fire or explosion may result causing property damage, personal injury, or loss of life.

- Do not store or use gasoline or other flammable vapors and liquids in the vicinity of this or any other appliance.
- **WHAT TO DO IF YOU SMELL GAS**
 - Do not try to light any appliance.
 - Do not touch any electrical switch; do not use any phone in your building.
 - Immediately call your gas supplier from a neighbor's phone. Follow the gas supplier's instructions.
 - If you cannot reach your gas supplier, call the fire department.
- Installation and service must be performed by a qualified installer, service agency, or the gas supplier.

WARNING: Improper installation, adjustment, alteration, service, or maintenance can cause injury or property damage. Read the installation, operating, and maintenance instructions thoroughly before installing or servicing this equipment.

WARNING: For Outdoor Use Only.

Your Decorative Patio Fire is designed for installation in a fully vented, open air patio area which is constructed of noncombustible materials.

WARNING: Do not use this appliance indoors. It is for outdoor use only. This appliance produces carbon monoxide (CO). Breathing enough carbon monoxide (CO) could cause personal injury or death.

Save this manual for future reference.

Comfort Glow® PROPANE/LP GAS

DECORATIVE PATIO FIRE

SAFETY INFORMATION

⚠️ WARNINGS

IMPORTANT: Read this owner's manual carefully and completely before trying to assemble, operate, or service this appliance. Improper use of this appliance can cause serious injury or death from burns, fire, explosion, and carbon monoxide poisoning.

⚠️ DANGER: Carbon monoxide poisoning may lead to death!

Carbon Monoxide Poisoning: Early signs of carbon monoxide poisoning resemble the flu, with headaches, dizziness, or nausea. If you have these signs, the appliance may not be working properly. **Get fresh air at once!** Have appliance serviced. Some people are more affected by carbon monoxide than others. These include pregnant women, people with heart or lung disease or anemia, those under the influence of alcohol, and those at high altitudes.

Propane/LP Gas: Propane/LP gas is odorless. An odor-making agent is added to the gas. The odor helps you detect a gas leak. However, the odor added to the gas can fade. Gas may be present even though no odor exists.

Make certain you read and understand all warnings. Keep this manual for reference. It is your guide to safe and proper operation of this appliance.

⚠️ WARNING: A qualified service person should install and repair this appliance. Inspect appliance before each use. Have a qualified service person inspect this appliance at least annually. This appliance may require more frequent cleaning. You must keep control compartment, burners, and circulating air passageways of appliance clean.

⚠️ WARNING: Any change to this appliance or its controls can be dangerous.

⚠️ WARNING: Do not use indoors. It is for outdoor use only. This appliance produces carbon monoxide (CO). Breathing enough carbon monoxide (CO) could cause personal injury or death.

⚠️ WARNING: Logs and lava rock become very hot when in use. Keep children, adults, and animals away from hot surface to avoid burns or clothing ignition. Logs and lava rock will remain hot for a time after shutdown. Allow surface to cool completely before touching appliance or installing cover.

⚠️ WARNING: Do not allow children near this product when operating. Especially watch for toddlers. Children should be carefully supervised while in the appliance area. They may not understand the danger of fire or the safety precautions of using this product. They could be severely injured due to burns.

⚠️ WARNING: Do not attempt to disconnect the gas or any gas fitting while this appliance is in operation.

⚠️ WARNING: Do not place clothing, paper products, or any other flammable materials on or near this appliance.

⚠️ WARNING: Fuels used in gas or oil-fired appliances, and the products of combustion of such fuels, contain chemicals known to the State of California to cause cancer, birth defects, and/or other reproductive harm. This warning is issued pursuant to California Health & Safety Code Sec. 25249.6.

1. This appliance is only for use with the type of gas indicated on the rating plate.
2. Do not place propane supply tank(s) inside any structure. Locate propane/LP supply tank(s) outdoors. If you are using propane/LP tanks of 100 lb. capacity or greater, keep appliance at least six feet away from tanks. If you are using a 20 lb. propane/LP tank commonly used with a gas grill, you must use the supplied tank securement bracket and strap to locate and secure tank. Keep propane/LP tank(s) below 100° F.
3. The installation must conform with local codes or, in the absence of local codes, with the *National Fuel Gas Code, ANS Z223.1, NFPA 58*.
4. If you smell gas
 - shut off gas supply
 - do not try to light any appliance
 - do not touch any electrical switch
 - immediately call your gas supplier from a neighbor's phone. Follow the gas supplier's instructions
 - if you cannot reach your gas supplier, call the fire department
5. Keep the area around the appliance clear and free from combustible materials, gasoline, or other flammable vapors and liquids.
6. Do not place this appliance on grass or dirt. This may prevent proper safety venting. Only operate this appliance on a level, outdoor, noncombustible surface.
7. Do not operate this appliance directly on combustible surfaces such as a wooden deck or grass lawn. This could cause severe property damage.
8. Do not operate this appliance directly under combustible materials such as tree limbs. They could be damaged or set on fire.
9. Maintain proper clearance from combustible materials.
 - Never place this appliance directly on any combustible surface.
 - Make sure combustible materials are at least 20 feet above appliance. This includes tree limbs.
 - Make sure combustible materials are at least 4 feet from sides of appliance.
10. Do not install this product in even a partially enclosed area, such as a garage or underneath a patio cover or gazebo. They could be damaged or set on fire.

SAFETY INFORMATION (Continued)

11. Do not operate near combustible materials such as vinyl or wood siding on a home or other structure. They could be damaged or set on fire.
12. Do not set combustibles on the edge of the appliance. Items such as paper cups, plates, and napkins could ignite.
13. Do not operate this appliance where excessive wind or drafts are present. The open flame may be blown outside of the appliance area. This could burn adults or children and cause clothing to ignite.
14. Do not use appliance below ground level. Propane/LP gas is heavier than air. If a leak occurs, propane/LP gas will sink to the lowest possible level.
15. Locate gas hose away from areas where people may trip over it or where it could be accidentally damaged.
16. Check gas hose before each use. If hose shows excessive wear or damage, replace hose assembly before operating appliance. See *Cleaning and Maintenance* on page 8 for how to inspect inlet hose. Use only the replacement hose listed in this manual.
17. Check burner before each use. If damaged, replace burner before operating appliance. Use only the replacement burner listed in this manual.
18. Do not block air inlets at the bottom edge of appliance base.
19. Only use accessories approved for use with this appliance.
20. Do not use charcoal starting fluid or any other combustible fluid to "help" ignite the fire. This could cause personal injury or death.
21. Do not burn solid fuel in this appliance.
22. Do not cook anything with this product. This includes hot dogs, marshmallows, hamburgers, or any other food. Debris from food could damage the burner system and affect its operation. Grease from food could flame up and cause severe burns or cause clothing to ignite.
23. Do not burn anything in this product. Ashes from trash or other combustibles could damage the burner system and affect its operation. Airborne ashes could set fires elsewhere and could cause severe burns or cause clothing to ignite.
24. Do not use appliance if any gas controls have been exposed to or under water. Immediately call a qualified service technician to inspect the appliance and to replace any part of the control system and any gas control which has been under water.
25. Do not allow water to contact the lava rock or logs. Water from rain, sprinklers, toys, horseplay, etc. can damage lava rock and logs. When heated, they may crack, break, or even explode. This could cause severe injury.
26. Do not leave appliance unattended while in operation.
27. Do not operate this product around intoxicated people. They could injure themselves or others when using this product.
28. Turn off gas at gas supply when this appliance is not in use.
29. Use protective cover (included) when appliance is not in use. Make sure appliance is cool before using cover.
30. Turn appliance off and let cool before servicing or repairing.
31. Use only original replacement parts. This appliance must use design-specific parts. Do not substitute or use generic parts. Improper replacement parts could cause serious or fatal injuries.

PRODUCT IDENTIFICATION

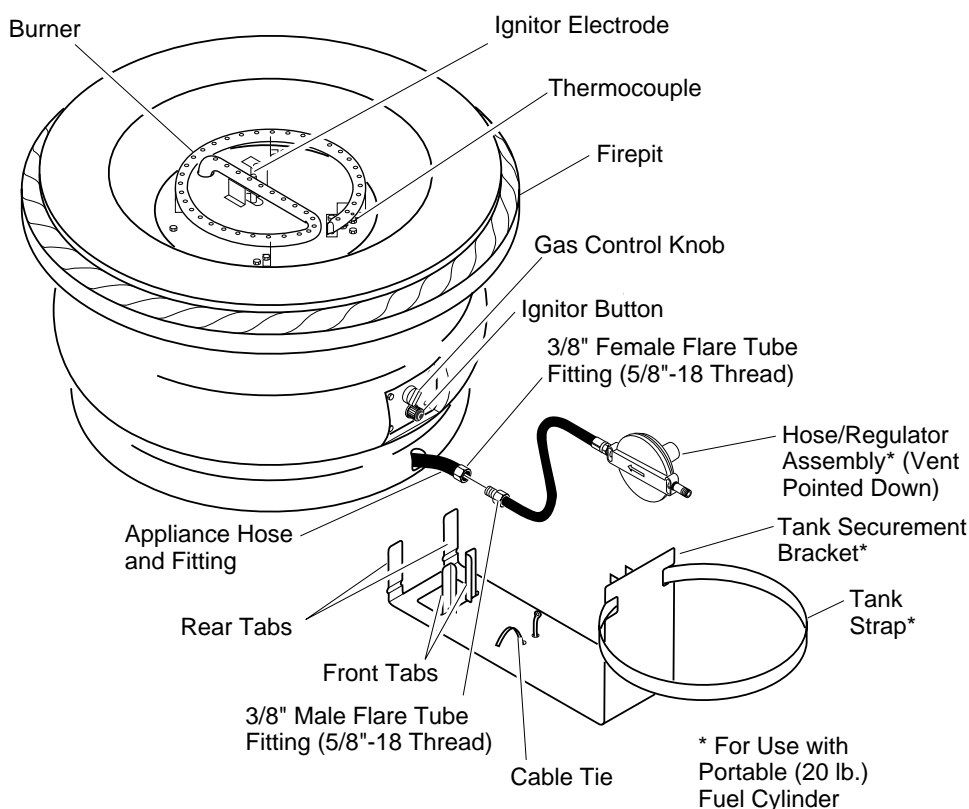


Figure 1 - Product Identification

Note: Appearance of firepit may vary depending on models.

Comfort Glow® PROPANE/LP GAS

DECORATIVE PATIO FIRE

LOCAL CODES

Install and use appliance with care. Follow all local codes. In the absence of local codes, use the latest edition of *The National Fuel Gas Code, ANS Z223.1*, also known as NFPA 54* or NFPA 58, standard for the storage and handling of liquified petroleum gases.

*Available from:

American National Standards Institute, Inc.
1430 Broadway
New York, NY 10018

National Fire Protection Association, Inc.
Batterymarch Park
Quincy, MA 02269

UNPACKING

⚠ WARNING: Do not remove the metal data plates attached to this appliance. The data plates contain important warnings and instructions.

1. Remove lava rock and log pack from carton.
2. Carefully lift firepit out of carton and gently place at site of installation.
3. Check all items for any shipping damage. If damaged, promptly inform dealer where you bought the product.

Note: Deterioration or damage due to severe weather conditions such as hail, hurricanes, earthquakes, or tornadoes, or discoloration due to exposure to chemicals either directly or in the atmosphere, is not covered by the Limited Warranty on the back of this manual. The warranty also does not cover the following:

- weather damage caused by not using the protective cover
- chips, cracks, or breakage caused from dropping, dragging, or hitting firepit.

The surface of the firepit naturally contains spaces, surface cracks, and variations in color and texture. The limited warranty does not cover such surface imperfections.

INSTALLATION

⚠ WARNING: Only a qualified service person must install gas piping and connect appliance to gas supply. Follow all local codes.

⚠ WARNING: Do not remove the metal data plates attached to this appliance. The data plates contain important warnings and instructions.

NOTICE: Installation, service, and repair of this appliance must be performed by a qualified installer, service agency, company, or gas supplier experienced with this type of gas appliance. Only factory authorized components listed in these instructions may be used in accordance with the manufacturer's instructions and all codes and requirements of the authority having jurisdiction. Any modifications to this appliance, or use of unauthorized components or accessory items will void the manufacturer's warranty, and may result in a hazardous condition.

CHECK GAS TYPE

Use only propane/LP gas. If your gas supply is not propane/LP gas, do not install appliance. Call dealer where you bought appliance.

DECORATIVE GAS PATIO FIRE SPECIFICATIONS	
PROPANE/LP GAS: RATED PRESSURE*	11.0" W.C.
MINIMUM GAS PRESSURE*	10.0" W.C.
MAXIMUM GAS PRESSURE*	14.5" W.C.
INTERNAL REG. SET POINT	8.0" W.C.
ORIFICE DRILL SIZE	30 (.128")
BTU/HR OUTPUT	70,000
SHIPPING WEIGHT	190 LBS.

*Measured at entry of flexible supply hose.

HIGH ALTITUDE DERATE

In the U.S.A., input BTU shall be derated 4% (1 orifice size) per 1,000 feet for altitudes above 2,000 feet. In Canada, input BTU shall be derated 10% (2 orifice sizes) at altitudes from 2,000 to 4,500 feet.

LOCATING APPLIANCE

When locating this appliance, follow all safety information on pages 2 and 3.

Do not use this appliance indoors. It is for outdoor use only. Do not locate this product in even a partially enclosed area, such as a garage or underneath a patio cover or gazebo. They could be damaged or set on fire.

Locate this appliance on a level, outdoor, noncombustible surface. Do not place this appliance on grass or dirt. This may prevent proper safety venting. Do not operate where wind or excessive drafts are present.

Maintain proper clearance from combustible materials.

- Never place this appliance directly on any combustible surface.
- Make sure combustible materials are at least 20 feet above appliance. This includes tree limbs.
- Make sure combustible materials are at least 4 feet from sides of appliance.

If your fuel source is a 20 lb. tank (commonly used with gas grills), install tank securement bracket to concrete firepit before installation (see *Connecting to Portable 20 lb. Propane/LP Gas Supply*, page 5).

You may paint your tank securement bracket so it will blend better with the surroundings. Before painting, clean the bracket with a degreasing cleanser.

Make sure to locate appliance where gas hose and propane/LP tank (if using 20 lb. portable tank) is out of traffic areas. This will help prevent people from tripping over the hose. This will also help prevent accidental damage to the hose.

INSTALLATION

Continued

CONNECTING TO GAS SUPPLY

Connecting to Portable 20 lb. Propane/LP Gas Supply

⚠ CAUTION: Never connect appliance directly to the propane/LP supply. This appliance requires an external regulator. Install the external regulator between the appliance and the propane/LP supply.

Use the hose/regulator assembly, tank securement bracket, tank strap, carriage bolt, wing nut, and cable tie supplied with your appliance.

1. Thread cable tie through 2 holes in bottom of tank securement bracket. Tie should be threaded from underneath bracket to be accessible when bracket is in position on the ground (see Figure 2). Do not close cable tie at this time.
2. Position the firepit and tank securement bracket as shown in Figure 2. Center the appliance hose and brass fitting between the front tabs of securement bracket. Lift the firepit and slide the rear tabs of the bracket under the firepit. The front tabs of the bracket will remain on the outside of the firepit on either side of the appliance hose.
3. Set a filled 20 lb. propane/LP tank against the outside of the tank securement bracket with the tank valve pointing toward the firepit. Do not set the tank ON the bracket (see Figure 3). Wrap the tank strap around the tank so that the strap tabs are facing the firepit. Insert the carriage bolt through the strap tab with the square hole. Tighten wing nut securely onto bolt (see Figure 3).
4. Attach the hose/regulator assembly to the appliance hose brass fitting (see Figure 3). Tighten firmly using a wrench.
5. Connect the POL fitting on the hose/regulator assembly to propane/LP tank. Turn POL fitting counterclockwise to secure to tank. Tighten firmly using 7/8" wrench. **IMPORTANT:** Position regulator so that regulator vent is pointed down (see Figure 3). Pointing the vent down protects it from freezing rain or sleet.

6. Close cable tie, previously attached, around hose and pull firmly to secure. Cut off excess cable tie with scissors.
7. Slip the lighting and warning hang tags between the hose and tank bracket for easy reference.
8. Open supply valve on propane/LP tank slowly. *Note:* If not opened slowly, excess flow check valve on propane/LP tank will stop gas flow. If this happens, close propane supply valve and open again slowly.
9. Check all connections for leaks. Apply mixture of liquid soap and water to gas joints. Bubbles forming show a leak. Correct all leaks at once.
10. Close propane/LP supply valve.

Note: When operating with a full 20 lb. tank, your firepit will run between 5 and 9 hours depending on flame setting and outside temperature.

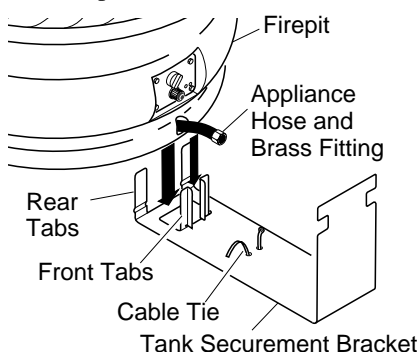


Figure 2 - Attaching Tank Securement Bracket and Cable Tie

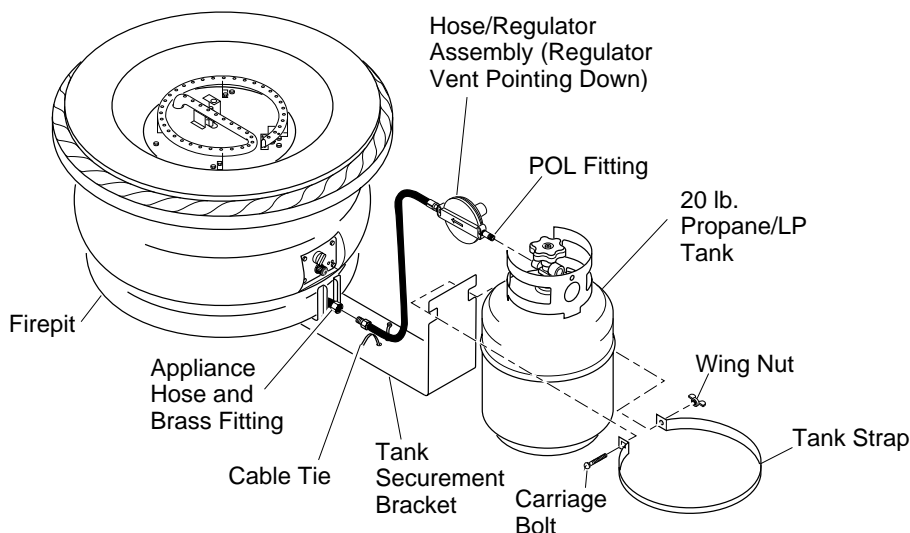


Figure 3 - Connecting Appliance to Portable 20 lb. Propane/LP Gas Tank

Continued

Connecting to Fixed Piping Gas Systems (100 lb. Tank or Larger)

⚠ CAUTION: Never connect appliance directly to the propane/LP supply. This appliance requires a two stage external regulator (not supplied). Install the external regulator between the appliance and the propane/LP supply.

Installation Items Needed

Before installing appliance, make sure your installer has the items listed below.

- piping (check local codes)
- sealant (resistant to propane/LP gas) (May be pipe dope or Teflon tape)
- equipment shutoff valve*
- test gauge connection*
- sediment trap
- tee joint
- pipe wrench
- brass fitting(s) (depending upon gas supply plumbing)

* An CSA/AGA design-certified equipment shutoff valve with 1/8" NPT tap is an acceptable alternative to test gauge connection. Purchase the optional CSA/AGA design-certified equipment shutoff valve from your dealer. See *Accessory*, page 11.

Comfort Glow® PROPANE/LP GAS

DECORATIVE PATIO FIRE

INSTALLATION

Continued

You must install a two stage external regulator. The two stage external regulator will reduce incoming gas pressure to between 11 and 14 inches of water. If you do not reduce incoming gas pressure, regulator damage could occur. Install two stage external regulator with the vent pointing down as shown in Figure 4. Pointing the vent down protects it from freezing rain or sleet.

WARNING: Never connect appliance to private (non-utility) gas wells. This gas is commonly known as wellhead gas.

CAUTION: Use only new, black iron or steel pipe. Internally-tinned copper tubing may be used in certain areas. Check your local codes. Use pipe of 1/2" diameter or greater to allow proper gas volume to appliance. If pipe is too small, undue loss of pressure will occur.

If you are using a 100 lb. supply tank or larger, and a fixed piping system, installation must include an equipment shutoff valve, union, and plugged 1/8" NPT tap. Locate NPT tap within reach for test gauge hook up. NPT tap must be upstream from appliance (see Figure 5). **IMPORTANT:** Install equipment shutoff valve in an accessible location. The equipment shutoff valve is for turning on and shutting off the gas to the appliance.

Apply pipe joint sealant lightly to male threads. This will prevent excess sealant from going into pipe. Excess sealant in pipe could result in a clogged burner injector.

CAUTION: Use pipe joint sealant that is resistant to liquid petroleum (LP) gas.

We recommend that you install a sediment trap in supply line as shown in Figure 5. Locate sediment trap where it is within reach for cleaning. Install in piping system between fuel supply and patio firepit. Locate sediment trap where trapped matter is not likely to freeze. A sediment trap traps moisture and contaminants. This keeps them from going into appliance controls. If sediment trap is not installed or is installed wrong, appliance may not run properly.

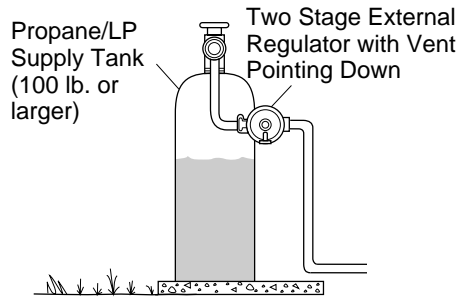


Figure 4 - Two Stage External Regulator with Vent Pointing Down

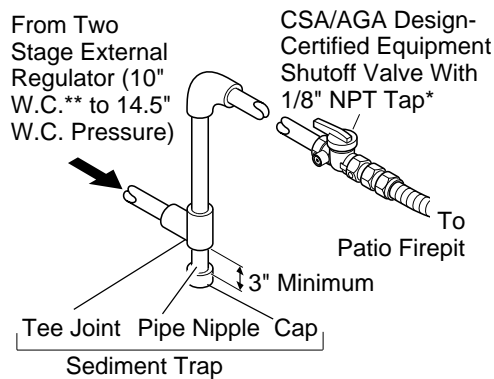


Figure 5 - Gas Connection (When Using 100 lb. Tank or Larger)

* Purchase the optional CSA/AGA design-certified equipment shutoff valve from your dealer. See *Accessory*, page 11.

** Minimum inlet pressure for purpose of input adjustment.

CHECKING GAS CONNECTIONS

WARNING: Test all gas piping and connections for leaks after installing or servicing. Correct all leaks at once.

WARNING: Never use an open flame to check for a leak. Apply a mixture of liquid soap and water to all joints. Bubbles forming show a leak. Correct all leaks at once.

CAUTION: Make sure a two stage external regulator has been installed between propane supply and heater. See guidelines under *Connecting to Gas Supply*, pages 5 and 6.

Pressure Testing Gas Supply Piping System (Fixed Piping System Only)

Test Pressures In Excess Of 1/2 PSIG (3.5 kPa)

1. The appliance and its individual shutoff valve must be disconnected from the gas supply piping system during any pressure testing of that system at test pressures in excess of 1/2 psi (3.5 kPa).
2. Cap off open end of gas pipe where equipment shutoff valve was connected.
3. Pressurize supply piping system by either using compressed air or opening propane/LP supply tank slowly.

Note: If not opened slowly, excess-flow check valve on propane/LP tank will stop gas flow. If this happens, close propane/LP supply valve and open again slowly.

4. Check all joints of gas supply piping system. Apply mixture of liquid soap and water to gas joints. Bubbles forming show a leak.
5. Correct all leaks at once.
6. Reconnect unit and equipment shutoff valve to gas supply. Check reconnected fittings for leaks.

Test Pressures Equal To or Less Than 1/2 PSIG (3.5 kPa)

1. The appliance must be isolated from the gas supply piping system by closing its individual equipment shutoff valve during any pressure testing of the gas supply piping system at test pressures equal to or less than 1/2 psi (3.5 kPa).

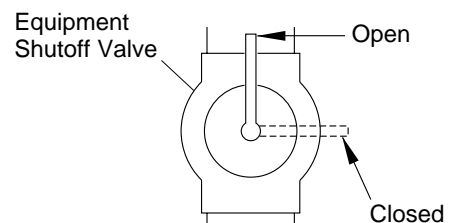


Figure 6 - Equipment Shutoff Valve

OWNER'S MANUAL

INSTALLATION

(Continued)

2. Pressurize supply piping system by either using compressed air or opening propane/LP supply tank valve.
3. Check all joints from propane/LP supply tank to equipment shutoff valve (see Figure 7). Apply mixture of liquid soap and water to gas joints. Bubbles forming show a leak.
4. Correct all leaks at once.

Pressure Testing Appliance Gas Connections (Fixed Piping System Only)

1. Open equipment shutoff valve (see Figure 6, page 6).
2. Open propane/LP supply tank valve.
3. Check all joints from equipment shutoff valve to supply hose. Apply mixture of liquid soap and water to gas joints. Bubbles forming show a leak.
4. Correct all leaks at once.

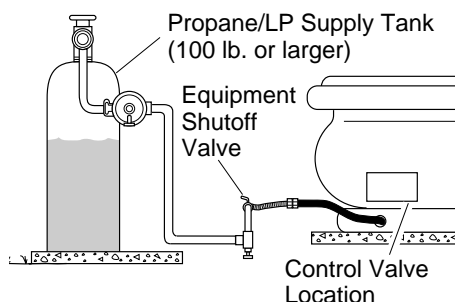


Figure 7 - Checking Gas Joints

SETUP

Your Comfort Glow Patio Fire is designed to operate with lava rock piled in and around the burner, and refractory logs placed on top of the lava rock.

Carefully pour supplied lava rock into basin to cover the burner. Be sure that the burner and burner ports are covered completely by lava rock to better disperse the flame and to create a more natural looking fire.

CAUTION: Place lava rock carefully. Be careful not to damage the burner, ignitor electrode, or thermocouple when adding the lava rock.

Place the six refractory logs on top of the lava rock. The arrangement is left to your personal preference. Try different placements to achieve your desired flame pattern.

Note: Sooting on the logs is natural. You may clean with a soft bristle brush.

WARNING: Allow logs and lava rock to cool completely before handling or rearranging logs.

WARNING: Solid fuels shall not be burned in this gas fireplace.

BATTERY INSTALLATION

Your Comfort Glow Patio Fire uses an electronic ignitor which requires one AA alkaline battery (not included). The battery compartment is located in the ignitor module behind the ignitor button.

To install the battery into the ignitor:

1. Locate the ignitor button on the control panel (see Figure 8).
2. Rotate the ignitor button counterclockwise to remove.
3. Install a fresh AA alkaline battery into the ignitor module, positive terminal first.
4. Replace button by rotating clockwise. Tighten finger tight. Do not over-tighten.

Note: Your fire pit may be lighted using a match (see *Lighting Instructions*, page 8).



Figure 8 - Control Panel

OPERATING APPLIANCE

FOR YOUR SAFETY READ BEFORE LIGHTING

WARNING: If you do not follow these instructions exactly, a fire or explosion may result causing property damage, personal injury, or loss of life.

WARNING: Do not use this appliance if any gas control parts have been under water. Immediately call a qualified service person to inspect the Patio Fire and replace any part of the control system and any gas control that has been under water.

WARNING: All gas burning appliances may produce smoke, soot, or carbon monoxide during operation. These fumes can be harmful if the appliance is used anywhere other than in an open air, fully-vented area.

BEFORE LIGHTING smell all around the appliance area for gas. Be sure to smell next to the ground because some gas is heavier than air and will settle on the ground.

WHAT TO DO IF YOU SMELL GAS

- Do not try to light any appliance.
- Do not touch any electric switch; do not use any phone in your building.
- Immediately call your gas supplier from a neighbor's phone. Follow the gas supplier's instructions.
- If you cannot reach your gas supplier, call the fire department.

Continued

Comfort Glow® PROPANE/LP GAS

DECORATIVE PATIO FIRE

OPERATING APPLIANCE

Continued

LIGHTING INSTRUCTIONS

Lighting Using the Electronic Spark Ignition System

1. Open equipment shutoff valve.
2. If you smell gas, STOP! Turn the equipment shutoff valve to OFF. Check gas connections for leaks. Do not continue until gas leaks are corrected.
3. After correcting leaks, wait five (5) minutes to clear out any gas. If you then smell gas, STOP! Follow the safety information in column 3, page 7. If you do not smell gas, go back to step 1.
4. Push in and hold the electronic spark ignitor button (see Figure 9). **Note:** You should be able to hear a rapid clicking sound from the burner bowl when the ignitor button is depressed. If you do not hear anything, see *Battery Check*, and *Troubleshooting*, pages 9 and 10.
5. Slightly depress and turn control valve knob counterclockwise to LOW. Push in and hold control valve knob.

WARNING: Keep face and hands away from burner area.

6. When burner lights, release the ignitor button. Keep control valve button pushed in. Release button after 30 seconds.

Note: If heater fails to ignite within 10 seconds, gas supply line may have air in it. If so, repeat steps 1 through 6.



Figure 9 - Ignitor Button and Control Valve

7. Set control valve knob to LOW, MED, or HI. Slightly depress knob before turning.
8. To shut off appliance, turn control valve knob clockwise to the OFF position.

WARNING: Close equipment shutoff valve when appliance is not in use.

Lighting Manually with a Match

1. Open equipment shutoff valve.
2. If you smell gas, STOP! Turn the equipment shutoff valve to OFF. Check gas connections for leaks. Do not continue until gas leaks are corrected.
3. Wait five (5) minutes to clear out any gas. If you then smell gas, STOP! Follow the safety information in column 3, page 7. If you do not smell gas, go back to step 1.
4. Light a match and lay it on top of the lava rock just above the burner.

WARNING: Do not hold match. Lay burning match on top of lava rock.

5. Turn control valve knob counterclockwise to LOW (see Figure 9). Push in and hold control valve knob.

WARNING: Keep face and hands away from burner area.

6. When burner lights, keep control valve button pushed in. Release button after 30 seconds.

Note: If heater fails to ignite within 10 seconds, gas supply line may have air in it. If so, repeat steps 1 through 6.

7. Set control valve knob to LOW, MED, or HI. Slightly depress knob before turning.
8. To shut off appliance, turn control valve knob clockwise to the OFF position.

WARNING: Close equipment shutoff valve when appliance is not in use.

BATTERY CHECK

The electronic spark ignitor operates on one alkaline AA battery (not included). The battery is located within the ignitor module behind the ignitor button. See *Battery Installation*, page 7, for replacement instructions.

CLEANING AND MAINTENANCE

Regularly check all burner ports for blockage. Burner ports are the small holes on top of the burner. Also check the ignitor port for blockage. This port is on the inside curve of the burner, pointed at the ignitor electrode. Also check the thermocouple port for blockage. This port is on the inside curve of the burner, pointed at the thermocouple. Clear blocked ports by gently inserting a small wire into the port.

Logs or lava rock may become coated with soot. If so, clean them using a bristle brush.

Check rubber supply hose periodically for signs of wear or damage. Check entire length of hose, including the portion inside the firepit pedestal. Check hose by carefully lifting the pedestal up to view the entire hose. If hose is damaged or worn, replace hose before next use. Use only original replacement parts. See *Parts List* on page 13 for service replacement parts.

SERVICE HINTS

When Gas Pressure Is Too Low

- burner may have delayed ignition
- propane/LP gas supply may be low

When Gas Quality Is Bad

- burner may backfire when lit

You may feel your gas pressure is too low or gas quality is bad. If so, contact your local propane/LP gas supplier.

OWNER'S MANUAL

TROUBLESHOOTING

Note: For additional help, visit DESA International's technical service web site at www.desatech.com.

⚠ WARNING: Turn off appliance and let cool before servicing. Only a qualified service person should service and repair appliance.

Note: All troubleshooting items are listed in order of operation.

OBSERVED PROBLEM	POSSIBLE CAUSE	REMEDY
When ignitor button is pressed, there is no spark at burner	<ol style="list-style-type: none">1. Ignitor electrode not connected to ignitor cable2. Ignitor cable pinched or wet3. Broken ignitor cable4. Bad electronic ignitor5. Ignitor electrode broken6. Ignitor electrode positioned wrong7. Batteries are dead or missing8. Ground wire not attached	<ol style="list-style-type: none">1. Reconnect ignitor cable2. Free ignitor cable if pinched by any metal or tubing. Keep ignitor cable dry3. Replace ignitor cable4. Replace electronic ignitor5. Replace electrode6. Reposition electrode7. Replace batteries8. Reattach ground wire to ignitor
When ignitor button is pressed, there is spark at burner but no ignition	<ol style="list-style-type: none">1. Gas supply turned off or equipment shutoff valve closed2. Control knob not in LOW/START position3. Control knob not pressed in while in LOW/START position4. Air in gas lines when installed5. Low gas pressure6. Low fuel supply	<ol style="list-style-type: none">1. Turn on gas supply or open equipment shutoff valve2. Turn control knob to LOW/START position3. Press in control knob while in LOW/START position4. Continue holding down control knob. Repeat igniting operation until air is removed5. Check for proper supply pressure6. Refill supply tank
Burner lights but flame goes out when control knob is released	<ol style="list-style-type: none">1. Control knob not fully pressed in2. Control knob not pressed in long enough3. Equipment shutoff valve not fully open4. Burner flame not touching thermocouple, which allows thermocouple to cool, causing burner to go out. This problem could be caused by one or both of the following: A) Low gas pressure B) Dirty or partially clogged burner ports5. Thermocouple connection loose at control valve6. Thermocouple damaged7. Control valve damaged	<ol style="list-style-type: none">1. Press in control knob fully2. After burner lights, keep control knob pressed in 30 seconds3. Fully open equipment shutoff valve4. A) Contact local propane/LP gas company B) Clean burner ports (see <i>Cleaning and Maintenance</i>, page 8) or replace burner assembly5. Hand tighten until snug, then tighten 1/4 turn more6. Replace thermocouple7. Replace control valve
Burner flame is too low or too high	<ol style="list-style-type: none">1. Incorrect gas supply or pressure2. Blocked burner orifice or burner manifold ports3. Improper burner orifice size	<ol style="list-style-type: none">1. Check for proper gas supply pressure2. Free burner orifice and manifold ports of any burrs, lava rock particles, or other blockage3. Verify proper burner orifice sizing (see specification chart, page 4)

Comfort Glow® PROPANE/LP GAS

DECORATIVE PATIO FIRE

TROUBLESHOOTING

Continued

OBSERVED PROBLEM	POSSIBLE CAUSE	REMEDY
Delayed ignition of burner	<ol style="list-style-type: none">1. Manifold pressure is too low2. Burner orifice or burner manifold ports clogged	<ol style="list-style-type: none">1. Contact local propane/LP gas company2. Clean burner (see <i>Cleaning and Maintenance</i>, page 8) or replace burner orifice
Burner backfiring during combustion	<ol style="list-style-type: none">1. Burner orifice or burner manifold ports clogged or damaged2. Damaged burner3. Gas control defective	<ol style="list-style-type: none">1. Clean burner (see <i>Cleaning and Maintenance</i>, page 8) or replace burner orifice2. Replace damaged burner3. Replace gas control
Fireplace produces a clicking/ticking noise just after burner is lit or shut off	<ol style="list-style-type: none">1. Lava rock, refractory logs, or metal parts expanding while heating or contracting while cooling	<ol style="list-style-type: none">1. This is common with most heaters. If noise is excessive, contact qualified service person
Fireplace produces unwanted odors	<ol style="list-style-type: none">1. Gas leak. See Warning statement at bottom of page2. Low fuel supply	<ol style="list-style-type: none">1. Locate and correct all leaks (see <i>Checking Gas Connections</i>, page 6)2. Refill supply tank
Gas odor even when control knob is in OFF position	<ol style="list-style-type: none">1. Gas leak. See Warning statement at bottom of page2. Control valve defective	<ol style="list-style-type: none">1. Locate and correct all leaks (see <i>Checking Gas Connections</i>, page 6)2. Replace control valve
Gas odor during combustion	<ol style="list-style-type: none">1. Gas leak. See Warning statement at bottom of page	<ol style="list-style-type: none">1. Locate and correct all leaks (see <i>Checking Gas Connections</i>, page 6)
Soot on logs	<ol style="list-style-type: none">1. Sooting on the logs is natural	<ol style="list-style-type: none">1. Clean soot with a soft bristle brush

- ⚠ WARNING: If you smell gas**
- Shut off gas supply.
 - Do not try to light any appliance.
 - Do not touch any electrical switch; do not use any phone near fireplace
 - Immediately call your gas supplier from a neighbor's phone. Follow the gas supplier's instructions.
 - If you cannot reach your gas supplier, call the fire department.

OWNER'S MANUAL

REPLACEMENT PARTS

Note: Use only original replacement parts. This will protect your warranty coverage for parts replaced under warranty.

PARTS UNDER WARRANTY

Contact authorized dealers of this product or Parts Central. If they can't supply original replacement part(s), call DESA International's Technical Service Department at 1-800-DESA LOG (1-800-337-2564).

When calling DESA International, have ready

- your name
- your address
- model and serial numbers of your appliance
- how appliance was malfunctioning
- type of gas used (propane/LP or natural gas)
- purchase date

Usually, we will ask you to return the defective part to the factory.

PARTS NOT UNDER WARRANTY

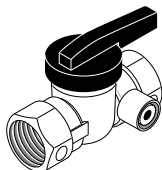
Contact authorized dealers of this product or Parts Central. If they can't supply original replacement part(s), call DESA International's Parts Department at 1-800-972-7879 for referral information.

When calling DESA International, have ready

- model number of your fireplace
- the replacement part number

ACCESSORY

Purchase these fireplace accessories from your local dealer. If they can not supply these accessories, call DESA International's Sales Department at 1-800-432-2382 for information. You can also write to the address listed on the back page of this manual.



EQUIPMENT SHUTOFF VALVE - GA5010

For all models. Equipment shutoff valve with 1/8" NPT tap. Fits 1/2" NPT pipe.

PARTS CENTRALS

These Parts Centrals are privately-owned businesses. They have agreed to support our customer's needs by providing original replacement parts and accessories.

Baltimore Electric

1348 Dixwell Avenue
Hamden, CT 06514-0322
1-800-397-7553
203-248-7553
Parts Department

Portable Heater Parts

342 N. County Rd. 400 E.
Valparaiso, IN 46383-9704
All States
219-462-7441
1-800-362-6951
Parts Department
sales@portableheaterparts.com
techservice@portableheaterparts.com

FBD

1349 Adams St.
Bowling Green, KY 42103-3414
270-846-1199
1-800-654-8534
Fax: 1-800-846-0090
franktalk@aol.com

Master Parts Distributor

1251 Mound Ave. NW
Grand Rapids, MI 49504-2672
616-791-0505
1-800-446-1446
Fax: 1-616-791-8270
Parts Department
www.nbmc.com

Washer Equipment Co.

1715 Main Street
Kansas City, MO 64108-2195
KS, MO, AR
816-842-3911
Parts Department
www.washerparts.com

East Coast Energy Products

707 Broadway
W. Long Branch, NJ 07764-1542
732-870-8809
1-800-755-8809
Parts Department
www.njplaza.com/ecep

Dayton Hardware

P.O. Box 275
North Dayton Station
Dayton, OH 45404-0275
All States
937-258-3721
OH 1-800-762-3426
Parts Department

Halco Enterprises

208 Carter Drive, Unit 21
West Chester, PA 19382-4500
610-430-7717
1-800-368-0803
Parts Department
www.halcoenterprises.com

Laportes Parts and Service

2444 N 5th Street
Hartsville, SC 29550-7704
803-332-0191
Parts Department

Cans Unlimited, Inc.

P.O. Box 645
Taylor, SC 29687-0013
All States
803-879-3009
1-800-845-5301
Parts Department
cu-sales@aol.com

Heater and Fireplace Store

58 Halbe Lane
Cape May Court, NJ 08210-1110
609-390-1100
Parts Department

TECHNICAL SERVICE

You may have further questions about installation, operation, or troubleshooting. If so, contact DESA International's Technical Service Department at 1-800-DESA LOG (1-800-337-2564).

You can also visit DESA International's technical service web site at www.desatech.com.

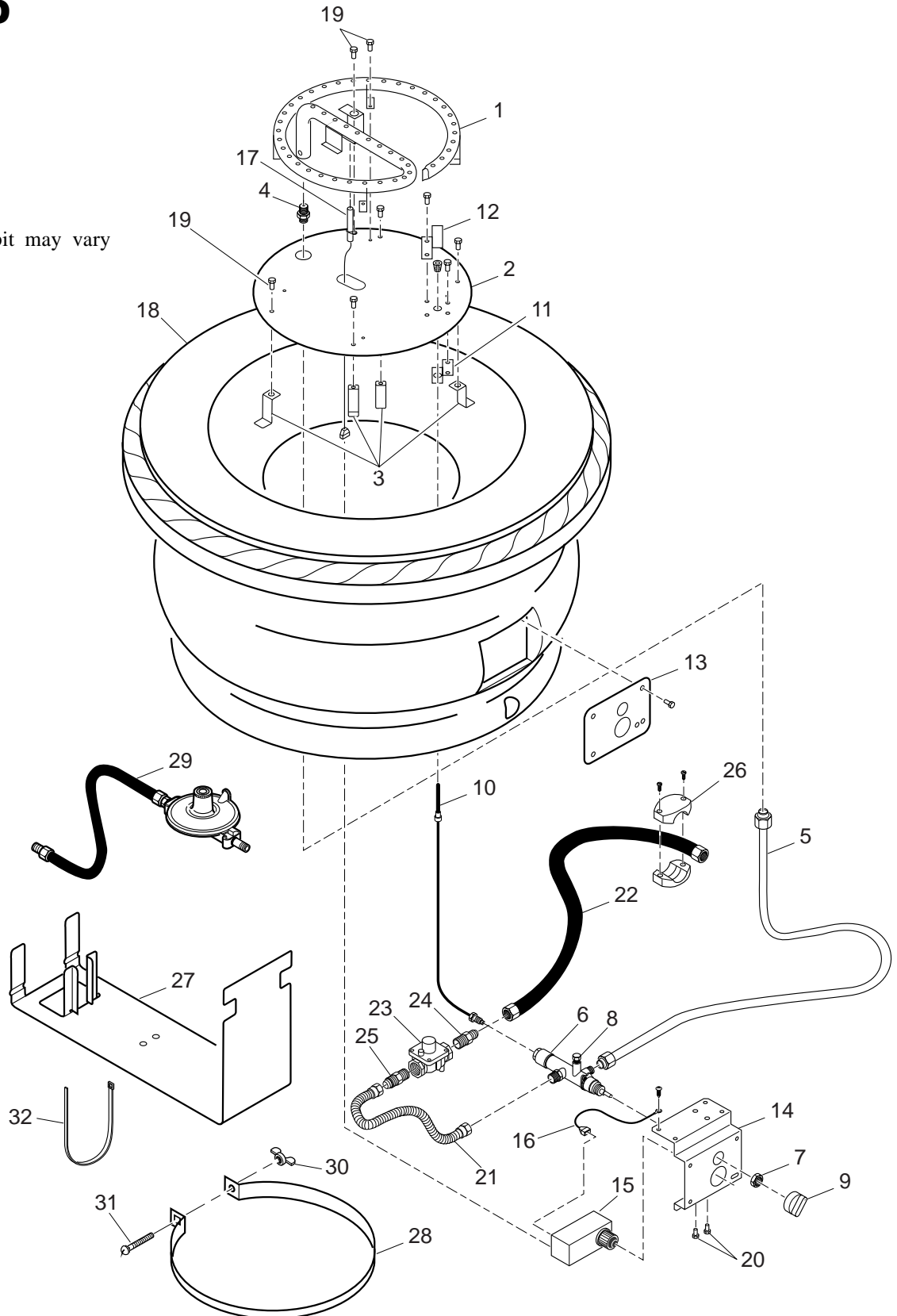
Comfort Glow[®] PROPANE/LP GAS

DECORATIVE PATIO FIRE

ILLUSTRATED PARTS BREAKDOWN

PATIO FIRE
PC4670LP
PC3460LP

(Note: Appearance of firepit may vary depending on model.)



OWNER'S MANUAL

PARTS LIST

This list contains replaceable parts used in your appliance. When ordering parts, follow the instructions listed under *Replacement Parts* on page 11 of this manual.

PATIO FIRE
PC4670LP
PC3460LP

KEY NO.	PART NO. FOR PC4670LP	PART NO. FOR PC3460LP	DESCRIPTION	QTY.
1	106116-02	106116-02	Burner Assembly	1
2	106117-01	106117-01	Burner Plate	1
3	106118-01	106118-01	Burner Plate Bracket	4
4	106051-01	106051-01	Injector, LP	1
5	106193-01	106193-01	Outlet Tube Assembly	1
6	102367-01	102367-01	Gas Valve	1
7	098508-01	098508-01	Nut, Valve Retention	2
8	098276-01	098276-01	Valve, Cap	1
9	099393-03	099393-03	Valve Knob	1
10	106137-01	106137-01	Thermocouple	1
11	106122-01	106122-01	T-C Bracket, LP	1
12	106711-01	106711-01	T-C Cover	1
13	106120-01	106120-01	Front Mounting Plate	1
14	106121-01	106121-01	Control Bracket	1
15	106130-01	106130-01	Spark Module	1
16	106715-01	106715-01	Grounding Wire Assembly	1
17	106134-01	106134-01	Electrode Assembly	1
18	107215-01	106123-01	Firepit	1
19	M10908-14	M10908-14	Screws, Sheet Metal	18
20	M11084-38	M11084-38	Screw, #8 x .38	2
21	101628-01	101628-01	Inlet Tube	1
22	106712-01	106712-01	Supply Hose	1
23	098867-03	098867-03	Pressure Regulator	1
24	097809-02	097809-02	Reg. Inlet Fitting	1
25	097809-02	097809-02	Reg. Outlet Fitting	1
26	106718-01	106718-01	Hose Clamp	1
27	107488-01	107488-01	Tank Securement Bracket	1
28	107489-01	107489-01	Tank Strap	1
29	107487-01	107487-01	Hose/Regulator Assembly	1
30	100919-01	100919-01	Wing Nut	1
31	100918-01	100918-01	1/4-20 Carriage Bolt	1
32	19724000	19724000	Cable Tie	1
PARTS AVAILABLE — NOT SHOWN				
	106204-01	106204-01	Lava Rock	1
	106046-01	106046-01	Logs (Set of 6)	1
	106717-02	106717-01	Protective Cover	1
	107354-01	107354-01	Lighting Instructions Plate	1
	107354-02	107354-02	Warning & Rating Plate	1

WARRANTY INFORMATION

KEEP THIS WARRANTY

Model _____
Serial No. _____
Date Purchased _____

Always specify model and serial numbers when communicating with the factory.

We reserve the right to amend these specifications at any time without notice. The only warranty applicable is our standard written warranty. We make no other warranty, expressed or implied.

LIMITED WARRANTY COMFORT GLOW VENTED GAS PATIO FIRE

DESA International warrants this product to be free from defects on the firepit for five (5) years and all other parts for three (3) years from the date of first purchase, provided that the product has been properly installed, operated and maintained in accordance with all applicable instructions. To make a claim under this warranty the Bill of Sale or cancelled check must be presented.

This warranty is extended only to the original retail purchaser. This warranty covers the cost of part(s) required to restore this appliance to proper operating condition and an allowance for labor when provided by a DESA Authorized Service Center. Warranty part(s) MUST be obtained through authorized dealers of this product and/or DESA International who will provide original factory replacement parts. Failure to use original factory replacement parts voids this warranty. The appliance MUST be installed by a qualified installer in accordance with all local codes and instructions furnished with the unit.

This warranty does not apply to parts that are not in original condition because of normal wear and tear, or parts that fail or become damaged as a result of misuse, accidents, lack of proper maintenance or defects caused by improper installation. Travel, diagnostic cost, labor, transportation and any and all such other costs related to repairing a defective appliance will be the responsibility of the owner.

TO THE FULL EXTENT ALLOWED BY THE LAW OF THE JURISDICTION THAT GOVERNS THE SALE OF THE PRODUCT; THIS EXPRESS WARRANTY EXCLUDES ANY AND ALL OTHER EXPRESSED WARRANTIES AND LIMITS THE DURATION OF ANY AND ALL IMPLIED WARRANTIES, INCLUDING WARRANTIES OF MERCHANTABILITY AND FITNESS FOR A PARTICULAR PURPOSE TO FIVE (5) YEARS ON FIREPIT AND THREE (3) YEARS ON ALL OTHER PARTS FROM THE DATE OF FIRST PURCHASE; AND DESA INTERNATIONAL'S LIABILITY IS HEREBY LIMITED TO THE PURCHASE PRICE OF THE PRODUCT AND DESA INTERNATIONAL SHALL NOT BE LIABLE FOR ANY OTHER DAMAGES WHATSOEVER INCLUDING INDIRECT, INCIDENTAL OR CONSEQUENTIAL DAMAGES.

Some states do not allow a limitation on how long an implied warranty lasts or an exclusion or limitation of incidental or consequential damages, so the above limitation on implied warranties, or exclusion or limitation on damages may not apply to you.

This warranty gives you specific legal rights, and you may also have other rights that vary from state to state.

For information about this warranty write:

DESA
INTERNATIONAL

2701 Industrial Drive
P.O. Box 90004
Bowling Green, KY 42102-9004
www.desatech.com



107497 01

NOT A UPC

107497-01
Rev. A
05/00

Free Manuals Download Website

<http://myh66.com>

<http://usermanuals.us>

<http://www.somanuals.com>

<http://www.4manuals.cc>

<http://www.manual-lib.com>

<http://www.404manual.com>

<http://www.luxmanual.com>

<http://aubethermostatmanual.com>

Golf course search by state

<http://golfingnear.com>

Email search by domain

<http://emailbydomain.com>

Auto manuals search

<http://auto.somanuals.com>

TV manuals search

<http://tv.somanuals.com>