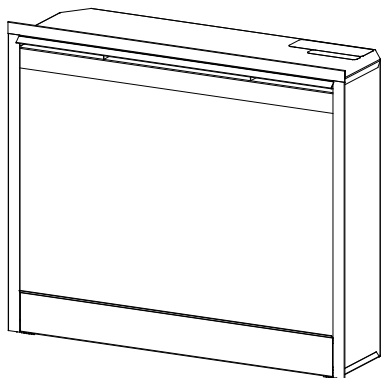




Better solutions through innovation



Owner's Manual

Model

DF2608

NBDF2608

DF2622SS

DF2622BLK








IMPORTANT SAFETY INFORMATION: Always read this manual first before attempting to install or use this fireplace. For your safety, always comply with all warnings and safety instructions contained in this manual to prevent personal injury or property damage.

To view the full line of Dimplex products, please visit
www.dimplex.com

7208680100R06



Table of Contents

 Welcome & Congratulations	3
 IMPORTANT INSTRUCTIONS	4
 Fireplace Installation	7
 Operation	11
 Maintenance	13
 Warranty	17
 Replacement Parts	20

Always use a qualified technician or service agency to repair this stove.

! NOTE: Procedures and techniques that are considered important enough to emphasize.

⚠ CAUTION: Procedures and techniques which, if not carefully followed, will result in damage to the equipment.

⚠ WARNING: Procedures and techniques which, if not carefully followed, will expose the user to the risk of fire, serious injury, or death.



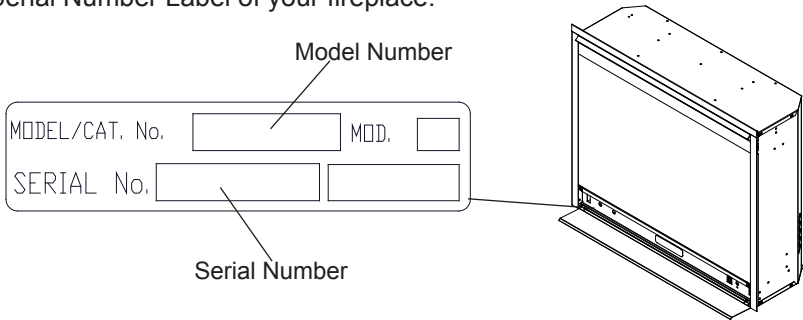
Welcome & Congratulations

Thank you and congratulations for choosing to purchase an electric fireplace from Dimplex, the world leader in electric fireplaces.

Please carefully read and save these instructions.


⚠ CAUTION: Read all instructions and warnings carefully before starting installation. Failure to follow these instructions may result in a possible electric shock, fire hazard and will void the warranty.


Please record your model and serial numbers below for future reference: model and serial numbers can be found on the Model and Serial Number Label of your fireplace.



NO NEED TO RETURN TO THE STORE

Questions with operation or assembly? Require Parts Information?
Product Under Manufacturer's Warranty?

Contact us at:  www.dimplex.com/customer_support
For Troubleshooting and Technical Support

OR  **Toll-Free 1-888-DIMPLEX (1-888-346-7539)**
Monday to Friday 8:00 a.m. to 4:30 p.m. EST
Please have your model number and product serial number ready. (See above)



IMPORTANT INSTRUCTIONS

- ① Read all instructions before using the electric fireplace.
- ② This fireplace is hot when in use. To avoid burns, do not let bare skin touch hot surfaces. The trim around the heater outlet becomes hot during heater operation.
- ③ Extreme caution is necessary when any heater is used by or near children or invalids and whenever the unit is left operating and unattended.
- ④ Young children should be supervised to ensure that they do not play with the appliance.
- ⑤ The appliance is not intended for use by young children or infirmed persons without supervision.
- ⑥ The appliance must be positioned so that the plug is accessible.
- ⑦ Always unplug the electric fireplace when not in use.
- ⑧ If the supply cord is damaged, it must be replaced by the manufacturer, or its service agent, or a qualified person in order to avoid a hazard.
- ⑨ Do not operate any unit with a damaged cord or plug, or if the heater has malfunctioned, or if the electric fireplace has been dropped or damaged in any manner. Contact Dimplex Technical Service 1-888-346-7539.
- ⑩ Do not use outdoors.
- ⑪ Never locate fireplace where it may fall into a bathtub or other water container.
- ⑫ Do not install the fireplace directly on carpet or a similar surface which may restrict air circulation beneath the unit.
- ⑬ Do not run the cord under carpeting. Do not cover cord with throw rugs, runners, or the like. Arrange cord away from traffic area and where it will not be tripped over.
- ⑭ Do not locate the heater immediately below a fixed socket-outlet.
- ⑮ To disconnect the fireplace, turn the controls off, then remove the plug from the outlet.



CAUTION
RISK OF ELECTRIC SHOCK
DO NOT OPEN
NO USER-SERVICEABLE PARTS INSIDE





IMPORTANT INSTRUCTIONS

- ①⑥ Do not insert or allow foreign objects to enter any ventilation or exhaust opening as this may cause an electric shock or fire, or damage to the heater.
- ①⑦ Although this unit is of zero clearance design, to prevent a possible fire, do not block air intake or exhaust in any manner. Do not use on soft surfaces, like a bed, where openings may become blocked.
- ①⑧ All electrical heaters have hot and arcing or sparking parts inside. Do not use in areas where gasoline, paint, or flammable liquids are used or stored or where the unit will be exposed to flammable vapors.
- ①⑨ Do not modify the electric fireplace. Use it only as described in this manual. Any other use not recommended by the manufacturer may cause fire, electric shock or injury to persons.
- ②⑩ Avoid the use of an extension cord. Extension cords may overheat and cause a risk of fire. If you must use an extension cord, the cord shall be No. 14 AWG minimum size and rated not less than 1875 Watts.
- ②⑪ Do not burn wood or other materials in the electric fireplace.
- ②⑫ Do not strike the fireplace glass.
- ②⑬ Always use a certified electrician should new circuits or outlets be required
- ②⑭ Always use properly grounded, fused and polarized outlets.
- ②⑮ Disconnect all power supply before performing any cleaning, maintenance or relocation of the unit.
- ②⑯ When transporting or storing the unit and cord, keep in a dry place, free from excessive vibration and store so as to avoid damage.

SAVE THESE INSTRUCTIONS



IMPORTANT INSTRUCTIONS

! NOTE: This equipment has been tested and found to comply with the limits for Class B digital device, pursuant to part 15 of the FCC Rules. These limits are designed to provide reasonable protection against harmful interference in a residential installation. This equipment generates, uses and can radiate radio frequency energy and, if not installed and used in accordance with the instructions, may cause harmful interference to radio or television reception, which can be determined by turning the equipment off and on, the user is encouraged to try to correct the interference by one or more of the following measures:

- Reorient or relocate the receiving antenna.
- Increase the separation between the equipment and the receiver.
- Connect the equipment into an outlet on a circuit different from that to which the receiver is connected.
- Consult the dealer or an experienced radio/TV technician for help.

Operation is subject to the following two conditions: (1) this device may not cause interference and; (2) this device must accept any interference, including interference that may cause undesired operation of the device.



Fireplace Installation

⚠ WARNING: Ensure the power cord is not installed so that it is pinched or against any sharp edges and ensure that the power cord is stored or secured to avoid tripping or snagging to reduce the risk of fire, electric shock or injury to persons.

Electrical outlet wiring must comply with local building codes and other applicable regulations to reduce the risk of fire, electric shock and injury to persons.

Do not attempt to wire your own new outlets or circuits. To reduce the risk of fire, electric shock or injury to persons, always use a licensed electrician.

Fireplace Assembly

The only assembly required is to slide the Front Glass onto the fireplace and install hardware to keep it in place.

1. Remove fireplace and glass carefully from the carton, discard the plastic bag and foam packaging.
2. Remove the foam block from within the fireplace (Figure 1).
3. Using side cutters or scissors, cut and remove the two (2) cable ties as shown in Figure 1 and remove the cardboard that protects the Log Set Assembly.
4. Remove the right hand side Trim by removing three (3) Phillips screws at the side of

Figure 1

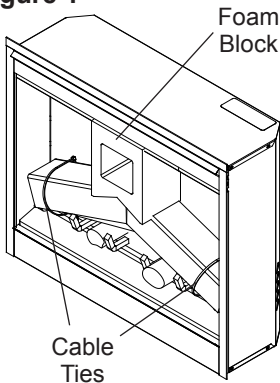
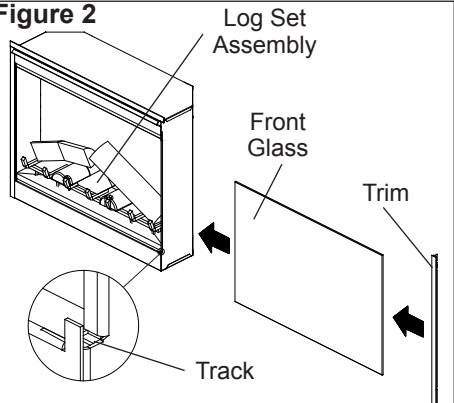


Figure 2





Fireplace Installation

- the fireplace (Figure 2).
- Place the Front Glass onto the track of the fireplace (Figure 2) and slide it along the front until it reaches the far left of the unit.
- Re-attach the right hand trim piece using the three (3) Philips screws from step 4.

Site Selection and Preparation

This section provides instructions for selecting a location and preparing the site to install the fireplace into your Dimplex mantel surround.

- Select a suitable location that is not susceptible to moisture and is away from drapes, furniture and high traffic.
- For ease of electrical hook up you may wish to locate

the fireplace near an existing outlet (refer to NOTE 1).

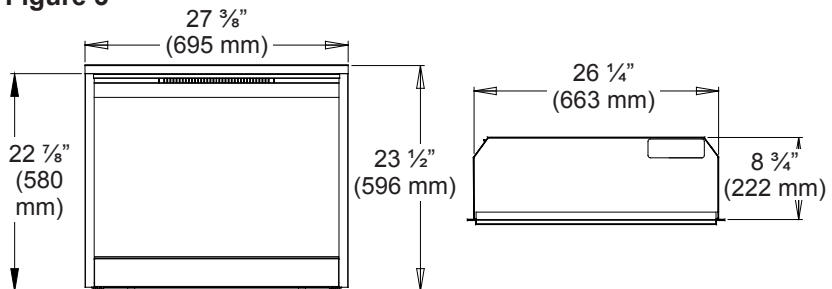
- Store the fireplace in a safe dry and dust free location.

CAUTION: Clearance for air circulation beneath the fireplace is provided by two (2) spacers. **Do not install fireplace directly on carpet or similar surfaces which may restrict air circulation.**

If installing the fireplace in a carpeted area, place a one-piece, solid flat surface under the fireplace. Ensure that all feet rest securely on this surface.

NOTE: The dimensions of the fireplace with the trim are 27 $\frac{3}{8}$ " (695 mm) wide x 23 $\frac{1}{2}$ " (596 mm) high x 8 $\frac{3}{4}$ " (222 mm) deep.

Figure 3





Fireplace Installation

Dimensions without trim are 26 $\frac{1}{4}$ inch (663 mm) wide x 22 $\frac{7}{8}$ inch (580 mm) high x 8 $\frac{3}{4}$ inch (222 mm) deep. The fireplace does not require any additional venting (Figure 3).

Fireplace Insert Installation

Install the fireplace assembly into the mantel (refer to mantel assembly instructions).

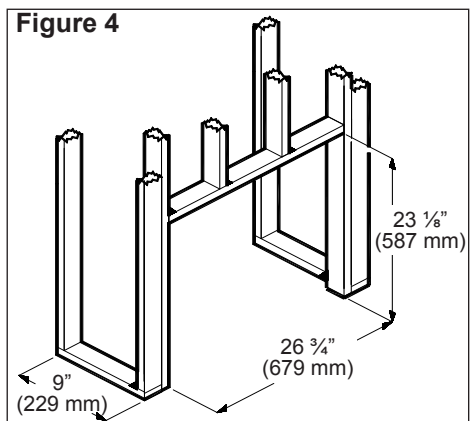
! NOTE 1: A 15 Amp, 120 Volt circuit is required. A dedicated circuit is preferred but not essential in all cases. A dedicated circuit will be required if after installation the circuit breaker trips or fuse blows on a regular basis when the heater is operating. Additional appliances on the same circuit may exceed the current rating of the circuit breaker.

! IMPORTANT: If not using a Dimplex mantel, the fireplace must be installed in an enclosure with the following **MINIMUM** dimensions (Figure 4).

New Wall Construction

1. Select a suitable location that is not susceptible to moisture and is away from drapes, furniture and high traffic.
2. Place the fireplace in the desired location to see how it will look in the room.
3. Mark the desired location on the floor.
4. Use studs to frame an opening of 26 $\frac{3}{4}$ inch (679 mm) wide x 23 $\frac{1}{8}$ inch (587 mm) high x 9 inch (229 mm) deep.

Option #1: The power cord can be run from behind the Trim and along the wall to an outlet near the fireplace.



Fireplace Installation

Option #2: A new outlet can be installed inside the framing construction.

Plug the unit into a 15 Amp, 120 Volt outlet. If the cord does not reach, you may use an extension cord rated for a **minimum of 1875 Watts**.

Existing Fireplace

1. Seal all drafts and vents with a non-fibrous insulation material to prevent any chimney debris from falling onto the fireplace. Do not install into an existing fireplace that is prone to dampness.
2. Cap the top of the chimney flue to prevent rain from entering.
3. Plan your electric power supply.
4. The power cord can run along the front of the hearth to an outlet near the fireplace.

⚠ CAUTION: Clearance for air circulation beneath the fireplace insert is provided by two (2) spacers. **Do not install the fireplace insert directly on carpet or similar**

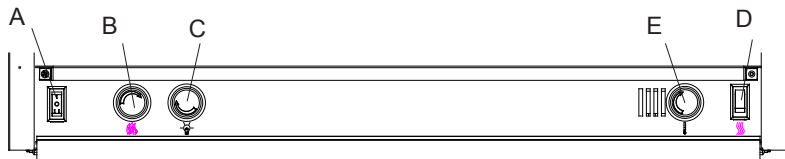
surfaces which may restrict air circulation. If installing the fireplace in a carpeted area, place a one-piece, solid, flat surface under the fireplace insert. Ensure that all feet rest securely on this surface.

For Bathroom Use

If this unit is installed in a bathroom it must be protected by a GFI receptacle or circuit. If receptacle is used it must be readily accessible. To prevent electrical shock this unit is an electrical appliance that is not watertight and must be installed as to prevent water from entering unit. This must be installed away from showers, tubs, etc. Never locate fireplace where it may fall into a bathtub or other water container. High temperatures may be generated under certain abnormal conditions. Do not partially or fully cover or obstruct the front of this heater.

Operation

Figure 5



Electric Fireplace Manual Controls (Figure 5)

The manual controls for the fireplace are behind the access panel located at the bottom of the fireplace.

A. Three Position On/Off Switch

The switch has two (2) on positions marked with “ I ” and “ II ”. The “ I ” position is for manual operation. In this position the built-in remote control is bypassed. The “ II ” position is for operating the unit with the provided remote control. When in “ II ” position the unit is operated with the ON and OFF buttons of the remote control. When the switch is in the center “ O ” position the unit is off.

B. Flame Action Control

Turn the Flame Action Control knob to adjust the flame speed to the desired level.

C. Light Dimmer Control

Turn the Light Dimmer Control knob to increase or decrease the brightness of the interior of the fireplace.

D. Heater On/Off Switch

The Heater On/Off Switch supplies power to the heating unit when the Three Position On/Off Switch (A) is on (“ I ” or “ II ” positions).

E. Heater Thermostat Control

To adjust the temperature to your individual requirements, turn the thermostat control clockwise all the way to turn on the heater. When the room reaches the desired temperature, turn the thermostat knob counter clockwise until you hear a click. Leave in this position to maintain the room temperature at its setting. For additional heat, turn clockwise until you hear the click again and the heater will turn on.

Operation

To turn the heater off, rotate the knob fully counter clockwise.

Resetting the Temperature Cutoff Switch

This unit is equipped with a thermostat which controls the temperature of the room by turning the heater on and off. The heater is protected with a safety device to prevent overheating. Should the heater overheat, an automatic cut out will turn the heater off and it will not come back on without being reset. It can be reset by switching the Three Position On/Off Switch to Off and waiting five (5) minutes before switching the unit back on.

⚠ CAUTION: If you need to continuously reset the heater, unplug the unit and call Technical Support at 1-888-346-7539. Please have your model and serial number ready when calling.

Remote Control (Figure 6)

The fireplace is supplied with an integrated on/off remote control.

! NOTE: Ensure that the

Three Position On/Off Switch on the fireplace is set to the remote control setting (“ II ”position).

To operate, push the ON button to turn the fireplace on, push the OFF button to turn the fireplace off.

Battery Replacement (Figure 6)

To replace the battery:

- Slide battery cover open on the hand held transmitter.
- Correctly install one (1) 12 Volt (A23) battery in the battery holder.
- Close the battery cover.

Remote Initialization/ Reprogramming

Follow these steps for remote control initialization and if required, re-initialization:

1. Disconnect power to fireplace.
2. Set the Three Position On/Off Switch to the Remote position (Figure 5A).
3. Wait a minimum of five (5) seconds and then re-acquire power to fireplace.
4. **Within 10 seconds** of re-acquiring power, press the

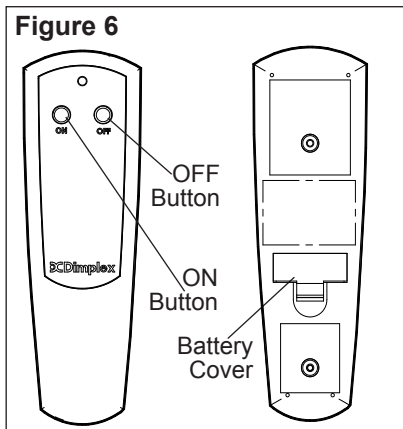
Operation

ON button located on the remote control transmitter.

! NOTE: You will have only 10 seconds to perform this last step. Failure to do so will result in these steps needing to be followed again.

This will synchronize the remote control transmitter and receiver.

Figure 6



Maintenance

WARNING: Disconnect power before attempting any maintenance or cleaning to reduce the risk of fire, electric shock or damage to persons.

Light Bulb Replacement

Allow at least five (5) minutes for the light bulbs to cool before touching them to avoid accidental burning of the skin. The light bulbs need to be replaced when you notice a dark section of the flame or when the clarity and detail of the log ember bed exterior reduces. There are three (3) bulbs under the Log Set Assembly, which generate the

flames and embers, and two (2) bulbs above that illuminate the log exterior.

Lower Light Bulb Requirements

Quantity of three (3) clear chandelier or candelabra bulbs with an E-12 (small) socket base, 60 Watt rating. Example: GE 60BC or Philips 60CTC.

Do not exceed 60 Watts per bulb.

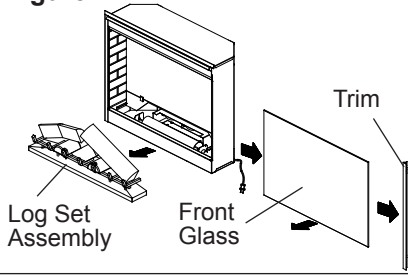
Helpful Hints

It is a good idea to replace all light bulbs at one time if they are close to the end of their rated life. Group replacement will reduce



Maintenance

Figure 7

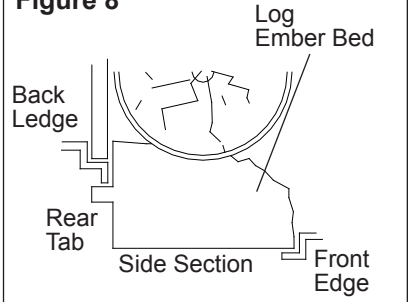


the number of times you need to open the unit to replace light bulbs. Care must be taken when removing the Log set assembly as it contains LED's and wires (DF2608 only).

1. Slide fireplace out of mantel.
2. Lay unit on it's back for safe removal of front glass.
3. Remove three (3) Phillips screws from the right side of trim.
4. Remove trim.
5. Slide glass to right side of fireplace to remove (Figure 7).
6. Pull the front edge of the plastic ember bed or plastic grate up and forward until the rear tab releases from the ledge located at the bottom of the mirror (Figure 8).

! IMPORTANT: Only handle

Figure 8



the log set assembly by the ember bed or plastic grate.

! NOTE: Log set assembly fits tightly into firebox, some force may be necessary to remove.

7. Set log set assembly in front of fireplace.
8. Remove flicker rod by pulling rod to the right, towards the flicker motor. Bend the flicker rod enough to clear the bracket on the left, lift out and pull flicker rod off of flicker motor shaft (Figure 9).
9. Remove four (4) Phillips screws (two (2) per side) which attach light filter bracket for easier access to light bulbs (Figure 9).
10. Unscrew bulbs counter clockwise to remove.
11. Insert new bulbs and screw in



Maintenance

clockwise.

12. Replace light filter bracket and flicker rod.
13. Install the log set assembly by placing the front, bottom edge of the ember bed in the track behind the control panel. Once in place, push down on the back edge of the ember bed until the rear tab snaps into place under the mirror (Figure 8).

! NOTE: Ensure the log set Assembly is installed tightly under the bottom edge of the mirror to prevent light leakage.

14. Lay unit on it's back and slide Front Glass back into position

and attach trim.

Upper Light Bulb Requirements

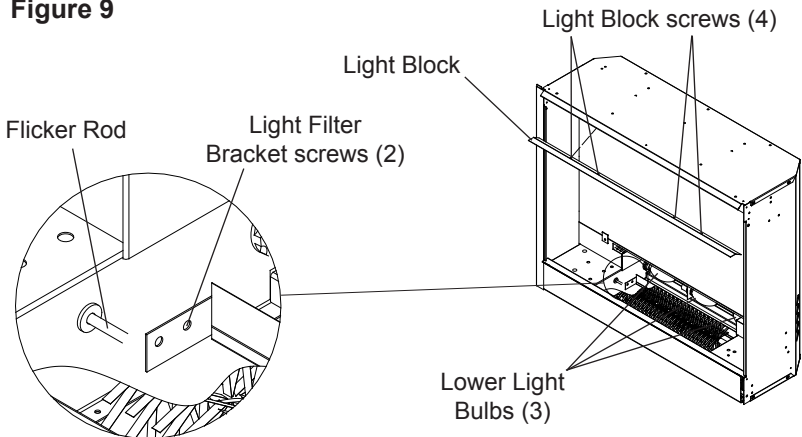
Quantity of two (2) clear chandelier or candelabra bulbs with an E-12 (small) socket base, 15 Watt rating.

Do not exceed 25 Watts per bulb.

To access the upper light bulb area:

1. Slide fireplace out of mantel.
2. Lay unit on it's back for safe removal of front glass.
3. Remove three (3) Phillips screws from right side of trim.
4. Remove trim.
5. Slide glass to the right side

Figure 9





Maintenance

of the fireplace to remove (Figure 7).

6. Upper bulbs are located in the upper left and upper right corners of fireplace, behind the light block bracket (Figure 9).
7. Remove the four (4) Phillips screws that attach the light block to the firebox (Figure 9).
8. Unscrew bulbs counter clockwise.
9. Insert new bulbs and screw in clockwise.
10. Re-attach light block bracket.
11. Lay unit on it's back, slide front glass back into position and attach Trim.

Glass Cleaning

The glass is cleaned in the factory during the assembly operation. During shipment, installation, handling, etc., the clear door may collect dust particles, these can be removed by dusting lightly with a clean dry cloth.

To remove fingerprints or other marks, the clear door can be cleaned with a damp cloth.

Fireplace Surface Cleaning

Use a cloth dampened with warm water only to clean painted surfaces of the electric fireplace. Do not use abrasive cleaners.



Warranty

Two Year Limited Warranty

Products to which this limited warranty applies

This limited warranty applies to your newly purchased Dimplex electric fireplace. This limited warranty applies only to purchases made in any province of Canada except for Yukon Territory, Nunavut, or Northwest Territories or in any of the 50 States of the USA (and the District of Columbia) except for Hawaii and Alaska. This limited warranty applies to the original purchaser of the product only and is not transferable.

Products excluded from this limited warranty

Light bulbs are not covered by this limited warranty and are the sole responsibility of the owner/purchaser. Products purchased in Yukon Territory, Nunavut, Northwest Territories, Hawaii, or Alaska are not covered by this limited warranty. Products purchased in these States, provinces, or territories are sold AS IS without warranty or condition of any kind (including, without limitation, any implied warranties or conditions of merchantability or fitness for a particular purpose) and the entire risk of as to the quality and performance of the products is with the purchaser, and in the event of a defect the purchaser assumes the entire cost of all necessary servicing or repair.

What this limited warranty covers and for how long

Products, other than fireplace surrounds (mantels) and trims, covered by this limited warranty have been tested and inspected prior to shipment. Subject to the provisions of this warranty, Dimplex warrants such products to be free from

defects in material and workmanship for a period of 2 years from the date of the first purchase of such products as follows: (a) a repair or replacement warranty on defective products or parts, including in-home services, for the first year following the date of first purchase; and (b) thereafter, a replacement of parts warranty on defective products and parts (with no in-home services) for the 1 year period commencing on the first anniversary of first purchase and ending on the second anniversary of the date of first purchase.

Dimplex fireplace surrounds (mantels) and trims covered by this limited warranty have been tested and inspected prior to shipment and, subject to the provisions of this warranty, Dimplex warrants such products to be free from defects in material and workmanship for a period of 1 year from the date of first purchase of such products. Warranty services do not include in-home services.

The limited 2 year warranty period for products other than fireplace surrounds (mantels) and trims and the limited 1 year warranty period for fireplace surrounds (mantels) and trims also applies to any implied warranties that may exist under applicable law. Some jurisdictions do not allow limitations on how long an implied warranty lasts, so the above limitation may not apply to the purchaser.

What this limited warranty does not cover

This limited warranty does not apply to products that have been repaired (except by Dimplex or its authorized service representatives) or otherwise altered. This limited warranty does further not apply to defects resulting from misuse, abuse, accident, neglect, incorrect installation, improper maintenance or handling, or



Warranty

operation with an incorrect power source.

What you must do to get service under this limited warranty

Defects must be brought to the attention of Dimplex Technical Service by contacting Dimplex at 1-888-DIMPLEX (1-888-346-7539), or 1367 Industrial Road, Cambridge Ontario, Canada N1R 7G8. Please have proof of purchase, catalogue/model and serial numbers available when calling. Limited warranty service requires a proof of purchase of the product.

What Dimplex will do in the event of a defect

In the event a product or part covered by this limited warranty is proven to be defective in material or workmanship during (i) the 2 year limited warranty period for products other than fireplace surrounds (mantels) and trims, and (ii) the 1 year limited warranty period for surrounds (mantels) and trims, you have the following rights:

- Limited warranty service will be performed solely by dealers or service agents of Dimplex authorized to provide limited warranty services.
- **For products (other than surrounds (mantels) and trims) for the period ending at midnight on the first anniversary of the date of first purchase**, Dimplex will in its sole discretion either repair or replace such defective product or part without charge. If Dimplex is unable to repair or replace such product or part, or if repair or replacement is not commercially practicable or cannot be timely made, Dimplex may, in lieu of repair or replacement, choose to

refund the purchase price for such product or part. *This limited warranty entitles the purchaser to on-site or in-home warranty services.* Accordingly, Dimplex will be responsible for all labour and transportation costs associated with the repair or replacement of the product or part except as follows: (i) charges may be levied for travel costs incurred to travel to the purchaser's site where the product is located if the purchaser's site is beyond 30 miles (48 km) from the closest service depot of Dimplex's dealer or service agent; and (ii) the purchaser is solely responsible for providing clear access to all serviceable parts of the product.

- **For products (other than surrounds (mantels) and trims) for the period commencing at 12:01 a.m. on the day after the first anniversary of the first purchase and ending at midnight on the second anniversary of the date of first purchase**, this limited warranty entitles the purchaser to replacement parts only without charge. If Dimplex is unable to replace such part, or if replacement is not commercially practicable or cannot be timely made, Dimplex may, in lieu of replacement, choose to refund the purchase price for such part. The purchaser shall not be entitled to on-site or in-home warranty services. The purchaser shall be responsible for all expenses incurred for the removal of the part and installation of the replacement part including, without limitation, all shipping costs and transportation costs to and from the authorized dealer's or service agent's place of business and all labour



Warranty

costs. Such costs shall not be the responsibility of Dimplex.

- **For surrounds (mantels) and trims for the period ending at midnight on the first anniversary of the date of first purchase**, Dimplex will in its sole discretion either repair or replace such defective surrounds (mantels) and trims or part thereof without charge. If Dimplex is unable to repair or replace such product or part, or if repair or replacement is not commercially practicable or cannot be timely made, Dimplex may, in lieu of repair or replacement, choose to refund the purchase price for such product or part. The purchaser shall not be entitled to on-site or in-house services. The purchaser is responsible for all expenses incurred for repair or replacement of such product or part including, without limitation, all shipping costs and transportation costs to and from the authorized dealer's or service agent's business and all labour costs. Such costs shall not be the responsibility of Dimplex.
- On-site or in-home services not provided under this warranty may be performed at the purchaser's specific request and expense at Dimplex's then-current rates for such services.

What Dimplex and its dealers and service agents are also not responsible for.

IN NO EVENT WILL DIMPLEX, OR ITS DIRECTORS, OFFICERS, OR AGENTS, BE LIABLE TO THE PURCHASER OR ANY THIRD PARTY. WHETHER IN CONTRACT, IN TORT, OR ON ANY OTHER BASIS, FOR ANY INDIRECT, SPECIAL, PUNITIVE, EXEMPLARY,

CONSEQUENTIAL, OR INCIDENTAL LOSS, COST, OR DAMAGE ARISING OUT OF OR IN CONNECTION WITH THE SALE, MAINTENANCE, USE, OR INABILITY TO USE THE PRODUCT, EVEN IF DIMPLEX OR ITS DIRECTORS, OFFICERS, OR AGENTS HAVE BEEN ADVISED OF THE POSSIBILITY OF SUCH LOSSES, COSTS OR DAMAGES, OR IF SUCH LOSSES, COSTS, OR DAMAGES ARE FORESEEABLE. IN NO EVENT WILL DIMPLEX, OR ITS OFFICERS, DIRECTORS, OR AGENTS BE LIABLE FOR ANY DIRECT LOSSES, COSTS, OR DAMAGES THAT EXCEED THE PURCHASE PRICE OF THE PRODUCT.

SOME JURISDICTIONS DO NOT ALLOW THE EXCLUSION OR LIMITATION OF INCIDENTAL OR CONSEQUENTIAL DAMAGES, SO THE ABOVE LIMITATION OR EXCLUSION MAY NOT APPLY TO THE PURCHASER.

How State and Provincial law apply

This limited warranty gives you specific legal rights, and you may also have other rights which vary from jurisdiction to jurisdiction. The provisions of the United Nations Convention on Contracts for the Sale of Goods shall not apply to this limited warranty or the sale of products covered by this limited warranty.



Replacement Parts

Log Set	0439560100RP
Flicker Motor.	3000240200KIT
Heater Assembly (Built-in Cutout)	2000330100RP
Thermostat	2300150100RP
Main On/Off Switch	2800071100RP
Manual Heat Selection Switch.	2800070700RP
Flame Action Control with Potentiometer	3000240500RP
Light Dimmer Control with Potentiometer	3000250100RP
Cord Set	4100040200RP
Single Lamp Holder (Center Lower)	2500150300RP
Double Lamp Holder (Upper and Lower).	2500400300RP
Mirror.	5901210200RP
Front Glass	5901220100RP
Control Knob	8800000200RP
Remote Transmitter.	3000370500RP
Remote Reciever.	3000380200RP
Terminal Block	4000070100RP
Flicker Rod	5901250100RP
Trim Replacement Kit	9600260100RP

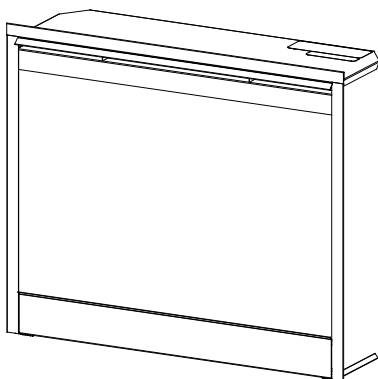


Dimplex North America Limited
1367 Industrial Road
Cambridge ON
Canada N1R 7G8

© 2011 Dimplex North America Limited



Les meilleures solutions par l'innovation



Manuel du propriétaire

Modèle

DF2608

NBDF2608

DF2622SS

DF2622BLK








CONSIGNES DE SÉCURITÉ IMPORTANTES : Toujours lire le présent manuel avant d'essayer d'installer ou d'utiliser ce poêle. Pour votre sécurité, toujours respecter tous les avertissements et suivre les consignes de sécurité compris dans le présent manuel afin de prévenir les blessures ou les dommages matériels.

Pour découvrir la gamme complète de produits Dimplex, visiter www.dimplex.com

7208680100R06



Table des matières

 Bienvenue et félicitations.	3
 INSTRUCTIONS IMPORTANTES	4
 Installation du foyer électrique	7
 Utilisation	11
 Entretien	14
 Garantie	18
 Pièces de rechange.	21

Toujours recourir aux services d'un technicien qualifié ou d'une entreprise de services de maintenance pour faire réparer ce poêle.

! NOTA : Marches à suivre et techniques considérées suffisamment importantes pour qu'on les souligne.

⚠ MISE EN GARDE : Marches à suivre et techniques dont le non-respect pourrait causer des dommages matériels.

⚠ AVERTISSEMENT : Marches à suivre et techniques qui, si elles ne sont pas bien respectées, exposeront l'utilisateur à des risques d'incendie, de blessure grave ou de décès.



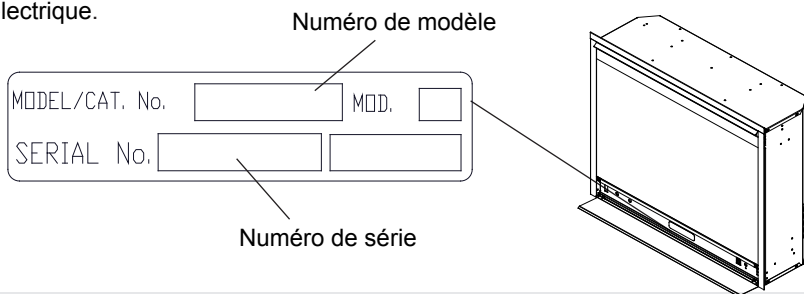
Bienvenue et félicitations

Merci et félicitations d'avoir acheté un foyer électrique de Dimplex, le chef de file mondial en matière de chauffage électrique.

Lire ces consignes attentivement et les conserver.


⚠ MISE EN GARDE : Lire attentivement toutes les consignes et tous les avertissements avant de procéder à l'installation. Le non-respect de ces consignes pourrait entraîner un risque de choc électrique ou d'incendie et annuler la garantie.

Prendre en note le numéro de modèle et le numéro de série de l'appareil en vue d'une consultation ultérieure; les numéros de modèle et de série se trouvent sur l'étiquette du numéro de modèle et du numéro de série du foyer électrique.



IL N'EST PAS NÉCESSAIRE D'ALLER AU MAGASIN

Des questions à propos de l'assemblage? Besoin d'information sur des pièces détachées? Besoin d'information à propos d'un produit sous une garantie du fabricant?

Contactez-nous au:  www.dimplex.com/customer_support
Pour le support Dépannage et assistance technique

OU



**Veillez téléphoner au numéro sans frais
1-888-DIMPLEX (1 888 346-7539)**

Du lundi au vendredi de 8 h à 16 h 30 (HNE)

Veillez avoir à portée de main les numéros de modèle et de série de votre appareil. (Voir ci-dessous)

INSTRUCTIONS IMPORTANTES

- ① Lire toutes les instructions avant de vous servir du foyer électrique.
- ② L'appareil devient chaud lorsqu'il est en marche. Pour éviter les brûlures, ne pas toucher directement les surfaces chaudes. La bordure autour de la bouche de chaleur devient chaude lorsque les éléments chauffent.
- ③ Faire preuve d'une grande prudence lorsque le foyer est utilisé à proximité d'enfants ou de personnes handicapées, ou s'il est en marche et laissé sans surveillance.
- ④ Les jeunes enfants devraient être supervisés afin qu'ils ne jouent pas avec l'appareil.
- ⑤ Cet appareil n'est pas conçu pour être utilisé par de jeunes enfants ou par des personnes handicapées sans supervision.
- ⑥ L'appareil doit être installé de façon à ce que la fiche soit accessible.
- ⑦ Toujours débrancher le foyer lorsqu'il ne sert pas pendant de longues périodes de temps.
- ⑧ Si le cordon d'alimentation est endommagé, il doit être remplacé par le fabricant ou par son fournisseur de service, ou par une autre personne compétente pour éviter tout danger.
- ⑨ Ne pas se servir de l'appareil si la fiche ou le cordon sont endommagés, si les éléments chauffants fonctionnent mal ou si le foyer est tombé ou est endommagé de quelque manière que ce soit. Communiquer immédiatement avec le Service à la clientèle de Dimplex au 1 888 DIMPLEX (1 888 3467539).
- ⑩ Ne pas utiliser cet appareil à l'extérieur.
- ⑪ Ne jamais installer l'appareil à un endroit où il est susceptible de tomber dans une baignoire ou dans tout autre réservoir d'eau.
- ⑫ Ne pas installer le foyer directement sur un tapis ou sur une surface similaire pouvant nuire à la circulation de l'air sous l'appareil.
- ⑬ Éviter de passer le cordon sous un tapis. Ne pas couvrir le cordon de carpettes, de tapis de couloir ou autres recouvrements de sol. Éloigner le cordon des endroits passants et éviter de le placer là où il pourrait provoquer la chute d'une personne.
- ⑭ Ne pas installer le foyer immédiatement au-dessous d'une prise de courant fixe.
- ⑮ Pour débrancher le foyer, éteindre l'appareil, puis retirer la fiche de la prise de courant.



MISE EN GARDE
RISQUE DE CHOC ÉLECTRIQUE - NE PAS OUVRIR
AUCUNE PIÈCE DONT L'ENTRETIEN PEUT ÊTRE EFFECTUÉ
PAR L'UTILISATEUR NE SE TROUVE À L'INTÉRIEUR





INSTRUCTIONS IMPORTANTES

- ①⑥ Ne pas introduire de corps étrangers dans la prise d'air de ventilation ou la bouche de sortie d'air, car cela peut occasionner des chocs électriques, provoquer un incendie ou endommager les éléments chauffants.
- ①⑦ Bien que cette unité soit de la conception zéro de dégagement pour éviter un incendie, ne pas obstruer l'entrée ou la sortie d'air d'aucune façon. Ne pas utiliser l'appareil sur des surfaces instables, comme un lit, où les ouvertures risquent de se bloquer.
- ①⑧ Tous les appareils chauffants électriques contiennent des pièces qui chauffent et produisent des étincelles. Ne pas faire fonctionner le foyer dans des endroits où de l'essence, de la peinture et autres produits inflammables sont utilisés ou rangés, ou s'il y a exposition à des vapeurs inflammables.
- ①⑨ Ne pas apporter de modifications au foyer. Se servir du foyer uniquement de la façon décrite dans le présent guide. Toute autre utilisation non recommandée par le fabricant peut provoquer un incendie, occasionner des chocs électriques ou des blessures.
- ②⑩ Éviter d'utiliser une rallonge. Les rallonges peuvent surchauffer et causer un risque d'incendie. S'il est nécessaire d'utiliser une rallonge, s'assurer que celle-ci soit de calibre minimal de 14 AWG et de puissance nominale d'au moins 1875 watts.
- ②⑪ Ne pas faire brûler de bois ni d'autres matériaux dans le foyer électrique.
- ②⑫ Ne pas heurter la vitre frontale du foyer.
- ②⑬ Toujours faire appel à un électricien certifié pour l'installation de nouveaux circuits ou de nouvelles prises.
- ②⑭ Toujours se servir de prises correctement mises à la terre, protégées et polarisées.
- ②⑮ Fermer toute source d'alimentation électrique de l'appareil (débrancher l'appareil ou déconnecter la source d'alimentation principale) avant de le nettoyer, de le réparer ou de le déplacer.
- ②⑯ Pendant le transport ou l'entreposage de l'appareil et du cordon, les conserver dans un endroit sec et à l'abri de vibrations excessives, et les ranger pour éviter qu'ils ne s'endommagent.

CONSERVER CES INSTRUCTIONS



INSTRUCTIONS IMPORTANTES

! NOTA : Cet appareil a été testé et jugé conforme aux limites autorisées pour un dispositif numérique de classe B, en vertu de la partie 15 des règlements de la FCC. Ces limites visent à offrir une protection raisonnable contre les interférences nuisibles dans une installation résidentielle. Ce produit génère, utilise et peut émettre de l'énergie radioélectrique. S'il n'est pas installé et utilisé selon les instructions, il peut causer des interférences nuisibles à la réception des signaux de radio ou de télévision, ce qui peut être vérifié en mettant le commutateur de l'appareil en position de marche puis d'arrêt. Nous recommandons à l'utilisateur de tenter d'éliminer les interférences à l'aide d'une ou de plusieurs des mesures suivantes :

- Changer l'orientation ou l'emplacement de l'antenne réceptrice.
- Augmenter la distance entre l'appareil et le récepteur.
- Brancher l'appareil dans une

prise ou sur un circuit autre que celui où le récepteur est branché.

- Consulter le détaillant ou un technicien radio/télévision expérimenté pour obtenir de l'aide.

L'utilisation de l'appareil est assujettie aux deux conditions suivantes : (1) L'appareil ne doit pas causer d'interférences et; (2) L'appareil doit accepter toute interférence captée, y compris les interférences susceptibles de causer un fonctionnement indésirable de l'appareil.

Installation du foyer électrique

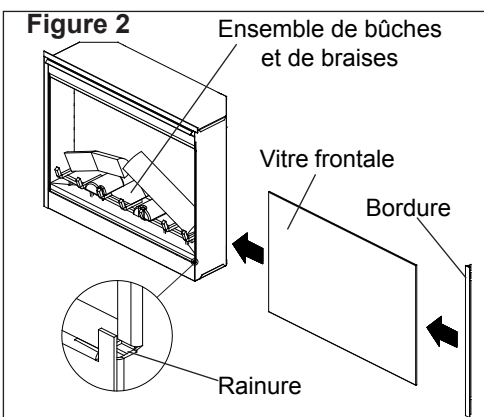
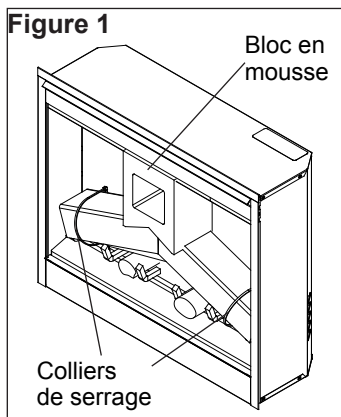
⚠ AVERTISSEMENT : Afin de réduire les risques d'incendie, de chocs électriques ou de blessures, s'assurer, pendant l'installation, que le cordon d'alimentation du foyer n'est pas coincé ou qu'il n'est pas appuyé contre une arête tranchante. Pour éviter les chutes, s'assurer également que le cordon est rangé ou installé de façon sécuritaire.

En vue de réduire les risques d'incendie, de chocs électriques et de blessures, tous les travaux de construction et de câblage électrique doivent être conformes au code du bâtiment local et aux autres règlements qui s'appliquent.

Ne pas faire l'installation de nouvelles prises ni de nouveaux circuits électriques soi-même. Pour réduire les risques d'incendie, de chocs électriques et de blessures, toujours faire appel à un électricien agréé. Le seul assemblage requis consiste à glisser la vitre frontale sur le foyer et à la fixer à l'aide de la quincaillerie requise.

Assemblage du foyer

1. Retirer le foyer et la vitre de l'emballage avec soin. Jeter le sac en plastique et la mousse d'emballage.
2. Retirer le bloc en mousse de l'intérieur du foyer (Figure 1).
3. À l'aide d'une pince à





Installation du foyer électrique

tranchant latéral ou de ciseaux, couper et retirer les deux (2) colliers de serrage comme le montre la Figure 1 et retirer le carton qui protège ensemble de bûches et de braises.

4. Retirer la bordure de droite en dévissant les trois (3) vis Phillips sur le côté du foyer (Figure 2).
5. Placer la vitre dans la rainure à l'avant du foyer (Figure 3) et la glisser tout le long du foyer jusqu'à ce qu'elle atteigne l'extrémité gauche du foyer.
6. Fixer à nouveau la bordure de droite à l'aide des trois (3) vis Phillips enlevées à l'étape 4.

Choix et préparation du lieu

Cette section contient une marche à suivre pour choisir et préparer l'emplacement où le foyer sera installé dans le caisson avec manteau de Dimplex.

1. Choisir un endroit approprié, à bonne distance des rideaux, des meubles et des endroits passants, et où il n'y a aucun risque de moisissure.
2. Pour faciliter le branchement électrique du foyer, choisir un

lieu situé à proximité d'une prise de courant existante (voir NOTA 1).

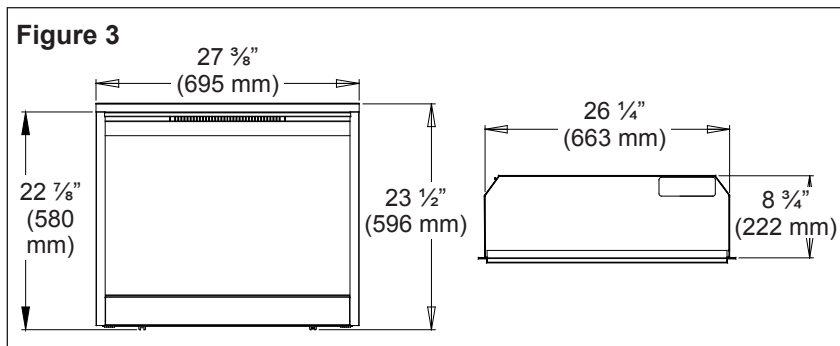
3. Ranger le foyer dans un endroit sûr, sec et à l'abri de la poussière.

⚠ MISE EN GARDE : Le dégagement nécessaire à la circulation de l'air sous le foyer est assuré par deux (2) séparateurs. **Ne pas installer le foyer directement sur un tapis ou des surfaces similaires pouvant nuire à la circulation de l'air.** Si le foyer est installé à un endroit recouvert d'un tapis, placer une plaque solide et plane sous le foyer. Veiller à ce que tous les pieds du foyer reposent sur cette plaque.

! NOTA : Les dimensions de la foyer avec l'équilibre sont 27 $\frac{3}{8}$ po. (695 mm) au loin x 23 $\frac{1}{2}$ po. (596 mm) haut x 8 $\frac{3}{4}$ po. (222 mm) profondément. Les dimensions sans équilibre sont de 26 $\frac{1}{4}$ po. (663 mm) au loin x 22 $\frac{7}{8}$ po. (580 mm) haut x 8 $\frac{3}{4}$ po. (222 mm) profondément. Cette foyer n'exige aucune mise à l'air libre additionnelle (Figure 3).



Installation du foyer électrique



Installation du foyer

Installer le foyer monté à l'intérieur du manteau de cheminée (Consulter les instructions de montage du manteau).

! NOTA 1 : Un circuit de 15 ampères et de 120 volts est nécessaire. Un circuit spécialisé est préférable, mais pas essentiel dans tous les cas. Un circuit spécialisé sera nécessaire si, après l'installation, le disjoncteur se déclenche ou si le fusible saute régulièrement lorsque les éléments chauffants sont en fonction. L'ajout d'appareils sur un même circuit peut entraîner un dépassement du courant nominal du disjoncteur.

! IMPORTANT : Si le foyer n'est pas installé dans un manteau de cheminée, il doit être installé dans une enceinte ayant les dimensions internes d'ouverture **MINIMALES** suivantes (Figure 4).

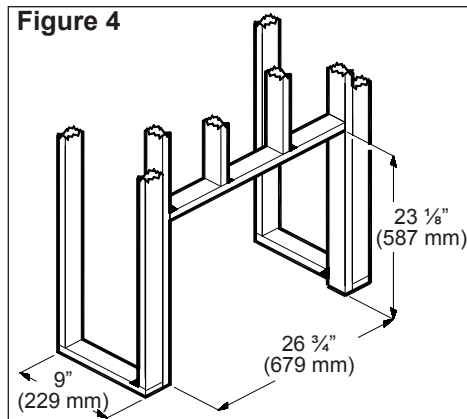
Nouvelle installation dans un mur

1. Choisir un endroit approprié, à bonne distance des rideaux, des meubles et des endroits passants, et où il n'y a aucun risque de moisissure.
2. Placer le foyer à l'endroit désiré afin de voir l'effet qu'il donnera à la pièce.
3. Marquer cet endroit sur le plancher.
4. Utiliser du bois de colombage pour encadrer l'ouverture de 26 3/4 po. (679 mm) (L) x 23 1/8



Installation du foyer électrique

Figure 4



po. (587 mm) (H) x 9 po. (229 mm) (P).

cheminée ne se déposent sur le foyer. Ne pas installer le foyer dans un endroit exposé à l'humidité.

2. Capuchonner le haut du conduit de la cheminée pour empêcher la pluie de pénétrer.
3. Planifier l'alimentation électrique.
4. Le cordon d'alimentation peut courir à l'avant de l'âtre jusqu'à une prise de courant à proximité du foyer.

1^{er} option : Le cordon d'alimentation peut longer l'arrière de la garniture du foyer puis le mur jusqu'à une prise de courant.

2^{ème} option : Une nouvelle prise de courant peut être installée dans le nouveau cadre.

Brancher l'appareil dans une prise de 15 ampères et de 120 volts. Si le cordon est trop court, utiliser une rallonge **d'au moins 1875 watts.**

Foyer existant

1. À l'aide de matériaux isolants non fibreux, sceller toutes les ouvertures et les conduites pour éviter que des débris de



MISE EN GARDE : Le dégagement nécessaire à la circulation de l'air sous le foyer est assuré par deux (2) séparateurs. **Ne pas installer le foyer directement sur un tapis ou des surfaces similaires pouvant nuire à la circulation de l'air.** Si le foyer est installé à un endroit recouvert d'un tapis, placer une plaque solide et plane sous le foyer. Veiller à ce que tous les pieds du foyer reposent sur cette plaque.

Installation du foyer électrique

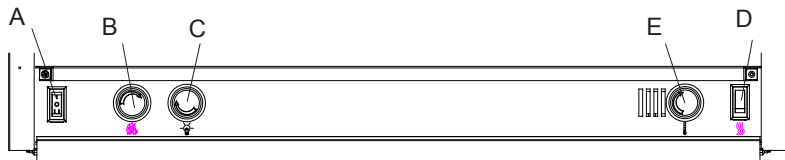
Installation dans une salle de bain

Si l'appareil est installé dans une salle de bain, il doit être protégé par une prise à disjoncteur de fuite à la terre. Si une prise est utilisée, elle doit être facilement accessible. Pour prévenir tout risque de choc électrique, cet appareil électrique non étanche à l'eau doit être installé de façon à éviter que de l'eau s'y infiltre.

Cet appareil doit être installé loin de la douche, du bain, etc. Ne jamais placer le foyer là où il pourrait tomber dans un bain ou dans un autre réservoir d'eau. Des températures peuvent être produites dans certaines conditions anormales. Ne pas partiellement ou entièrement la couverture ou obstruer l'avant de ce réchauffeur.

Utilisation

Figure 5



Commandes manuelles du foyer électrique

Les commandes manuelles de l'appareil sont situées derrière le panneau d'accès au bas du foyer.

A. Interrupteur Marche/Arrêt (On/Off) à trois positions

L'interrupteur est muni de deux (2) positions Marche (On), indiquées par « I » et « II ». La position « I » sert à l'utilisation

manuelle. Dans cette position, la télécommande ne fonctionne pas. La position « II » sert à utiliser l'appareil à l'aide de la télécommande fournie. Quand l'appareil est en position « II » il fonctionne au moyen des boutons Marche (On) et Arrêt (Off) de la télécommande. Quand l'interrupteur est au centre « o », l'appareil est éteint.

B. **Commande de l'effet de flamme**

Tourner le bouton de réglage de l'effet de flamme pour régler l'intensité au niveau désiré.

C. **Réglage du gradateur de luminosité**

Tourner le bouton de réglage du gradateur de luminosité pour augmenter ou diminuer la luminosité de l'intérieur du foyer.

D. **Interrupteur d'alimentation Marche/Arrêt (On/Off) du thermostat**

L'interrupteur du chauffage alimente le ventilateur du radiateur et l'élément chauffant quand interrupteur Marche/Arrêt (On/Off) à trois positions (A) est en position marche (« I » ou « II »).

E. **Commande du thermostat**

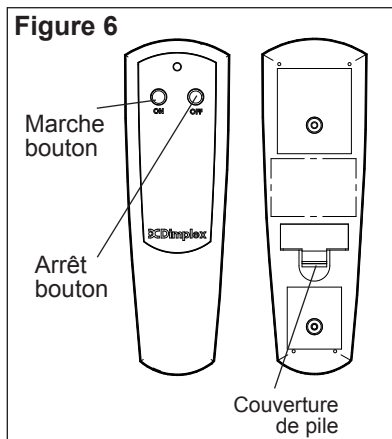
Pour régler la température en fonction de vos besoins, tourner le bouton du thermostat jusqu'au bout dans le sens horaire pour mettre en marche l'élément chauffant. Lorsque la température désirée est atteinte dans la pièce, tourner le bouton du thermostat dans le sens antihoraire jusqu'à

ce qu'un déclic se fasse entendre. Garder cette position pour maintenir la température au réglage désiré. Pour augmenter la chaleur, tourner le bouton dans le sens horaire jusqu'à ce que le déclic se fasse entendre de nouveau. L'élément chauffant se mettra en marche. Pour arrêter l'élément chauffant, tourner le bouton jusqu'au bout dans le sens antihoraire.

Réarmement du disjoncteur du circuit de la température

Cet appareil est doté d'un thermostat qui permet de commander la température de la pièce en activant ou en désactivant l'élément chauffant. L'appareil est protégé grâce à un dispositif de sécurité qui empêche la surchauffe. En cas de surchauffe, un coupe-circuit automatique désactivera l'appareil qui ne fonctionnera pas tant que le disjoncteur n'aura pas été réarmé. Le réarmement de l'appareil s'effectue en mettant l'interrupteur Marche/Arrêt en position Arrêt (*Off*) et en attendant cinq (5) minutes avant de le remettre en position Marche (*On*).

Utilisation



⚠ MISE EN GARDE : Si l'élément chauffant doit continuellement être réarmé, débrancher l'appareil et communiquer avec le Service à la clientèle au 1 888 346-7539. Veiller à avoir en mains les numéros de modèle et de série de l'appareil.

Télécommande (Figure 6)

Le foyer est muni d'une télécommande intégrée.

! NOTA : S'assurer que interrupteur Marche/Arrêt (On/Off) à trois positions du foyer est en mode « Télécommande » (« II »).

Pour activer le foyer, appuyer sur

le bouton MARCHÉ (ON); pour le désactiver, appuyer sur le bouton ARRÊT (OFF).

Remplacement de la pile (Figure 6)

Pour remplacer la pile :

1. Ouvrir le compartiment à pile situé sur la télécommande portative.
2. Installer correctement une (1) pile de 12 volts (A23) dans le compartiment à pile.
3. Refermer le couvercle du compartiment.

Initialisation ou Reprogrammer la télécommande

Suivez ces pas pour l'initialisation de télécommande et si exigé, la réinitialisation :

1. Débranchez l'alimentation du foyer en retirant la fiche de la prise de courant.
2. Mettre l'interrupteur Marche/Arrêt (On/Off) à trois positions en position «Télécommande» (Figure 5A).
3. Attendez au moins cinq (5) secondes, puis réalimentez le foyer en rebranchant la fiche dans la prise de courant.
4. **Dans** le 10 secondes

Utilisation

suivant la réalimentation du foyer, appuyez sur le bouton de Marche (ON) de la télécommande.


! **NOTA** : Cette dernière étape doit être effectuée en moins de 10 secondes. Dans le cas

contraire, toutes ces étapes devront être effectuées de nouveau.

Ainsi, le transmetteur et le récepteur de la télécommande seront synchronisés.



Entretien

 **AVERTISSEMENT** : Débrancher le foyer avant d'en effectuer l'entretien ou le nettoyage afin de réduire les risques d'incendie, de chocs électriques ou de blessures.

Remplacement d'une ampoule électrique

Laisser les ampoules refroidir au moins cinq (5) minutes avant de les toucher pour éviter de vous brûler. Les ampoules électriques doivent être remplacées lorsqu'il y a une zone sombre dans les flammes ou quand la clarté et les détails de l'extérieur de la bûche s'amenuisent. Il y a trois (3) ampoules situées sous la bûche, qui produisent l'effet de flammes et de braises, et deux (2) ampoules au-dessus de la bûche, qui éclairent l'extérieur de

la bûche.

Ampoules inférieures requises

Trois (3) ampoules transparentes de 60 watts de style chandelier ou candélabre à culot E12 (petit). Exemple : GE 60BC ou Philips 60 CTC.

Ne pas dépasser 60 watts par ampoule.

Conseils utiles

Il est préférable de remplacer toutes les ampoules en même temps si elles approchent de la fin de leur durée de vie. On évitera ainsi d'avoir à ouvrir plusieurs fois le foyer pour remplacer des ampoules. Retirer Ensemble de bûches et de braises avec précaution, car il contient des DEL et des câbles (DF2608 seulement).



Entretien

Pour accéder à la zone des ampoules inférieures :

1. Sortir le foyer du manteau.
2. Déposer l'appareil sur le dos pour retirer la vitre frontale en toute sécurité.
3. Retirer trois (3) vis cruciformes du côté droit de la garniture.
4. Retirer la garniture.
5. Faire glisser la vitre du côté droit du foyer pour l'enlever (Figure 7).
6. Tirer l'extrémité avant du lit de braises en plastique ou de la grille en plastique vers le haut, puis vers l'avant jusqu'à ce que la butée arrière se dégage de l'arrière du miroir (Figure 8).

! IMPORTANT : Manipuler l'ensemble de bûches et de

braises par le lit de braises ou la grille en plastique uniquement.

- ! NOTA :** L'ensemble de bûches et de braises est solidement accroché au foyer, il faudra peut-être user de force pour le retirer.
7. Mettre l'ensemble de bûches et de braises devant le foyer.
 8. Retirer la tige de réglage de l'effet de flamme en la tirant vers la droite, en direction du moteur de l'effet de flamme. Courber la tige de réglage de l'effet de flamme pour dégager le support sur la gauche; soulever la tige de réglage et tirer pour la dégager de l'arbre du moteur de l'effet de flamme (Figure 9).
 9. Pour accéder plus facilement aux ampoules, retirer les

Figure 7

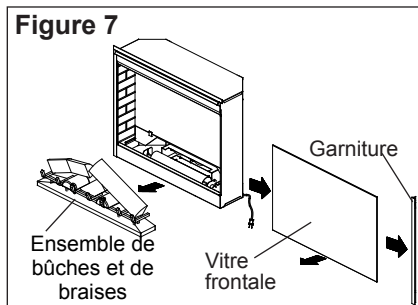
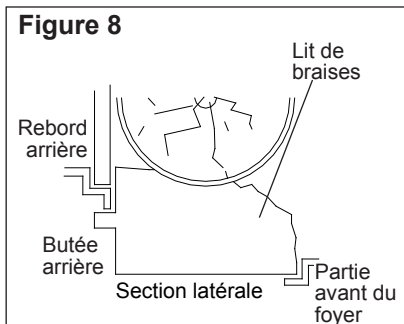


Figure 8





Entretien

quatre (4) vis Phillips [deux (2) de chaque côté] qui fixent le support du filtre (Figure 10).

10. Dévisser les ampoules vers la gauche pour les retirer.
11. Installer de nouvelles ampoules en les vissant vers la droite.
12. Remettre en place le support du filtre et la tige de réglage de l'effet de flamme.
13. Installer l'ensemble de bûches et de braises en plaçant la partie inférieure avant du lit de braises dans le sillon à l'arrière du panneau de commande. Une fois en place, pousser

sur l'extrémité arrière du lit de braises jusqu'à ce que le taquet arrière s'engage sous le miroir.

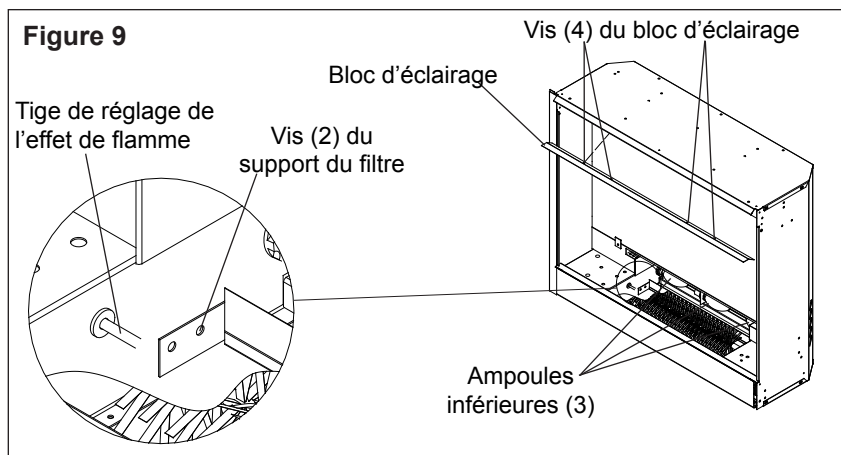
! NOTA : S'assurer que l'ensemble de bûches et de braises est installé sous le rebord inférieur du miroir afin de prévenir la perte de lumière.

14. Déposer l'appareil sur le dos, remettre la vitre frontale en place et fixer la garniture.

Ampoules supérieures requises

Deux (2) ampoules de 15 watts de type chandelier ou candélabre à culot E-12 (petit).

Ne pas dépasser 15 watts par ampoule.





Entretien

Pour accéder à la zone des ampoules supérieures :

1. Sortir le foyer du manteau.
2. Déposer l'appareil sur le dos pour retirer la vitre frontale en toute sécurité.
3. Retirer trois (3) vis cruciformes du côté droit de la garniture.
4. Retirer la garniture.
5. Faire glisser la vitre du côté droit du foyer pour l'enlever (Figure 7).
6. Les ampoules supérieures sont situées dans les angles supérieurs droit et gauche du foyer, derrière le support du bloc d'éclairage (Figure 9).
7. Retirer les quatre (4) vis Phillips qui fixent le bloc d'éclairage au foyer (Figure 9).
8. Dévisser les ampoules dans le sens antihoraire.
9. Installer de nouvelles ampoules.
10. Fixer à nouveau le support du bloc d'éclairage.
11. Déposer l'appareil sur le dos, remettre la vitre frontale en place et fixer la garniture.

Nettoyage de la vitre

La vitre a été nettoyée à l'usine, lors de l'assemblage. Cependant, pendant le transport, l'installation, la manipulation, etc., la vitre peut se couvrir de particules de poussière. Épousseter la vitre à l'aide d'un chiffon propre et sec pour les faire disparaître.

Pour enlever les empreintes digitales ou autres marques, la porte vitrée peut être nettoyée avec un chiffon humide. Pour prévenir les rayures, ne pas utiliser de nettoyeurs abrasifs et ne pas vaporiser de produits liquides sur la surface de la vitre.

Nettoyage des surfaces du foyer

Nettoyer les surfaces peintes du poêle électrique avec un chiffon humide et de l'eau tiède. Ne pas utiliser de nettoyeurs abrasifs.



Garantie

Garantie limitée de deux ans

Produits couverts par la présente garantie limitée

La présente garantie limitée couvre votre tout nouveau modèle de foyer électrique Dimplex. La présente garantie limitée couvre uniquement les foyers achetés dans l'une des provinces du Canada (à l'exception du Yukon, du Nunavut et des Territoires du Nord-Ouest), ou dans l'un des 50 États des États-Unis, incluant le district fédéral de Columbia, à l'exception d'Hawaï et de l'Alaska. La présente garantie limitée est valable seulement pour l'acheteur original du produit et ne peut pas être transférée.

Produits non couverts par la présente garantie limitée

Les ampoules ne sont pas couvertes par la présente garantie limitée et sont la seule responsabilité du propriétaire / de l'acheteur. Les produits achetés au Yukon, au Nunavut, dans les Territoires du Nord-Ouest, à Hawaï et en Alaska ne sont pas couverts par la présente garantie limitée. Les produits achetés dans ces provinces ou territoires sont vendus TELS QUELS sans aucune garantie ni condition (y compris, notamment, toute garantie ou condition implicite de qualité marchande ou de convenance à un usage particulier), et l'acheteur doit assumer tous les risques relatifs à la qualité et au rendement des produits. En cas de défectuosité, tous les frais d'entretien et de réparation incombent à l'acheteur.

Couverture et durée de la présente garantie

Les produits, autres que les manteaux et les garnitures de foyer, couverts par cette garantie limitée ont été testés et inspectés avant leur expédition. Sous réserve des dispositions de la présente garantie, Dimplex garantit comme suit lesdits produits contre les vices de matériau et de fabrication pendant une période de 2 ans après la date de l'achat initial desdits produits : (a) une garantie de réparation ou de remplacement des produits ou pièces défectueux, y compris les services à domicile, pendant les 1 premières années après la date de l'achat initial; et (b) par la suite, une garantie de remplacement de pièces pour les produits et pièces défectueux (sans services à domicile) pendant la période de 1 an commençant au premier anniversaire de l'achat initial et se terminant au deuxième anniversaire de l'achat initial.

Les manteaux et les garnitures de Dimplex couverts par la présente garantie limitée ont été testés et inspectés avant l'envoi et, conformément aux dispositions de la présente garantie, Dimplex garantit que ces produits sont exempts de tout vice de matériau et de fabrication pour une période de 1 an à partir de la date d'achat desdits produits.

La garantie limitée de 2 ans couvrant les produits, autres que les manteaux et les garnitures, et la garantie limitée d'un an couvrant manteaux et les garnitures s'applique également à toute garantie implicite pouvant exister en vertu des lois en vigueur. Certaines juridictions ne permettent pas de restreindre la durée d'une garantie implicite, de sorte qu'il est possible que la restriction cidessus ne s'applique pas à l'acheteur.



Garantie

Exclusions de la présente garantie limitée

La présente garantie limitée ne couvre pas les produits qui ont été réparés (sauf par Dimplex ou ses représentants de service autorisés) ou autrement modifiés. Elle ne couvre pas non plus les défauts résultant d'un mauvais usage, d'un usage abusif, d'un accident, de négligence, d'une mauvaise installation, d'une manipulation ou d'un entretien inadéquat, ou de l'utilisation avec une source de courant inadéquate.

Ce que vous devez faire pour vous prévaloir du service dans le cadre de la présente garantie limitée

Les défauts doivent être signalés au Service à la clientèle de Dimplex au 1 888 DIMPLEX (1 888 346-7539), ou à 1367 Industrial Road, Cambridge, Ontario, Canada N1R 7G8. Au moment d'appeler, veillez à avoir à portée de la main une preuve d'achat, ainsi que les numéros de catalogue, de modèle et de série du produit. Il est indispensable d'avoir une preuve d'achat du produit pour se prévaloir du service dans le cadre de la garantie limitée.

Ce que fera Dimplex en cas de défaut

S'il s'avère qu'un produit ou qu'une pièce couvert par cette garantie limitée présente effectivement un vice de matériau ou de fabrication pendant (i) la garantie limitée de 2 ans pour les produits autres que les manteaux et les garnitures, et (ii) la garantie limitée de 1 an pour manteaux et les garnitures, vous aurez alors les droits suivants :

- Le service sous garantie limitée

sera dispensé uniquement par des dépositaires ou agents de service Dimplex autorisés à dispenser des services sous garantie limitée.

- **Pour les produits (autres que les manteaux et les garnitures de foyer) pendant la période prenant fin à minuit le jour du en première anniversaire de l'achat initial,** Dimplex pourra, à sa seule discrétion, réparer ou remplacer sans frais la pièce ou le produit défectueux. Si Dimplex est incapable de réparer ou de remplacer ladite pièce ou ledit produit, ou si la réparation ou le remplacement n'est pas commercialement possible, ou ne peut être fait rapidement, Dimplex pourra, au lieu d'effectuer la réparation ou le remplacement, décider de rembourser le prix d'achat de ladite pièce ou dudit produit. *Cette garantie limitée donne droit à l'acheteur à des services sous garantie sur place ou à domicile.* Par conséquent, Dimplex assumera tous les frais de main-d'oeuvre et de transport liés à la réparation ou au remplacement du produit ou de la pièce, sauf pour ce qui suit : (i) des frais pourraient être facturés pour les coûts engagés pour se rendre au site de l'acheteur où le produit se trouve, si ce site est à plus de 48 km du centre de service le plus près d'un dépositaire ou d'un agent de service de Dimplex; et (ii) l'acheteur est entièrement responsable de dégrader l'accès à toutes les pièces du produit susceptibles d'être réparées ou entretenues.
- **Pour les produits (autres que les manteaux et les garnitures de foyer) pendant la période commençant à**



Garantie

le prix d'achat de ladite pièce ou dudit produit. L'acheteur n'aura pas droit à des services sous garantie sur place ou à domicile. L'acheteur sera responsable de tous les frais engagés pour la réparation ou le remplacement desdits produits ou pièces, y compris, sans aucune restriction, de tous les frais d'expédition et de transport aller-retour à la place d'affaires du dépositaire ou de l'agent de service autorisé, ainsi que de tous les frais de main-d'oeuvre. Dimplex n'assumera pas ces frais.

- Les services sur place ou à domicile non prévus par cette garantie peuvent être fournis à la demande expresse et aux frais de l'acheteur. Les tarifs courants de Dimplex seront facturés pour de tels services.

Autres exclusions à la responsabilité de Dimplex et de ses dépositaires et agents de service :

DIMPLEX, SES GESTIONNAIRES, SES ADMINISTRATEURS OU SES AGENTS NE POURRONT EN AUCUN CAS ÊTRE TENUS RESPONSABLES ENVERS L'ACHETEUR OU TOUTE AUTRE TIERCE PARTIE, EN VERTU D'UN CONTRAT, D'UN ACTE DÉLICTEUX OU SUR TOUTE AUTRE BASE, DE COÛTS, DE PERTES OU DE DOMMAGES INDIRECTS, SPÉCIAUX, PUNITIFS, EXEMPLAIRES OU ACCESSOIRES DÉCOULANT DIRECTEMENT OU INDIRECTEMENT DE LA VENTE, DE L'ENTRETIEN, DE L'UTILISATION OU DE L'INCAPACITÉ D'UTILISATION DU PRODUIT, MÊME SI DIMPLEX, SES GESTIONNAIRES, SES ADMINISTRATEURS OU SES AGENTS ONT ÉTÉ INFORMÉS DE

LA POSSIBILITÉ DE TELS COÛTS, PERTES OU DOMMAGES, OU SI LESDITS COÛTS, PERTES OU DOMMAGES SONT PRÉVISIBLES. DIMPLEX, SES GESTIONNAIRES, SES ADMINISTRATEURS OU SES AGENTS NE POURRONT EN AUCUN CAS ÊTRE TENUS RESPONSABLES DE COÛTS, DE PERTES OU DE DOMMAGES DIRECTS QUI DÉPASSENT LE PRIX D'ACHAT DU PRODUIT.

CERTAINES JURIDICTIONS NE PERMETTENT PAS QUE DES EXCLUSIONS OU LIMITATIONS AUX DOMMAGES INDIRECTS OU ACCESSOIRES SOIENT APPLIQUÉES. IL SE POURRAIT DONC QUE LES EXCLUSIONS ET LIMITATIONS CI-DESSUS NE S'APPLIQUENT PAS À L'ACHETEUR.

Comment les lois provinciales et d'État s'appliquent

Cette garantie limitée vous confère des droits juridiques précis, et il se peut que vous ayez d'autres droits qui varient d'une juridiction à l'autre. Les dispositions de la Convention des Nations unies sur les contrats de vente de biens ne s'applique pas à cette garantie limitée ou à la vente de produits couverts par cette garantie limitée.

Pièces de rechange

Ensemble de bûches	0439560100RP
Moteur de l'effet de flamme 120V.	3000240200KIT
Assemblage du Ventilateur (Avec Decoupe).	2000330100RP
Thermostat	2300150100RP
Interrupteur principal Marche/Arret	2800071100RP
Interrupteur manuel de selection.	2800070700RP
Commande de la vitesse du flamme avec potentiometre . . .	3000240500RP
Commande de la vitesse de lumiere avec potentiometre . . .	3000250100RP
Cordon l'alimentation 120V	4100040200RP
Socle a douille unique (Centre de Basse).	2500150300RP
Socle a deux douilles (Haut et le Bas).	2500400300RP
Miroir	5901210200RP
Panneau de vitre avant	5901220100RP
Bouton de commande	8800000200RP
Émetteur pour la telecommande	3000370500RP
Recepteur pour la telecommande	3000380200RP
Bloc de raccord	4000070100RP
Tige de vacillement	5901250100RP
Kit de remplacement de Garniture.	9600260100RP

Dimplex®

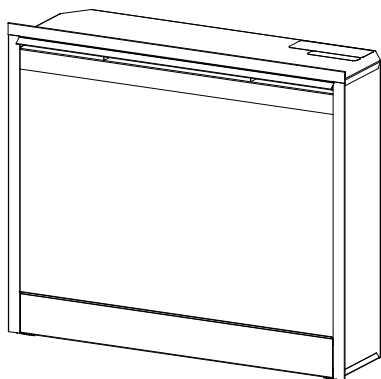


Dimplex North America Limited
1367 Industrial Road
Cambridge ON
Canada N1R 7G8

© 2011 Dimplex North America Limited



El líder del mundo en calentadores de aire eléctricos.



Manual del propietario

Modelo
DF2608
NBDF2608
DF2622SS
DF2622BLK








INFORMACIÓN DE SEGURIDAD IMPORTANTE: Lea este manual antes de intentar instalar o usar este calentador de aire. Para su seguridad, tome en cuenta todas las advertencias e instrucciones de seguridad de este manual para evitar lesiones corporales o daños materiales.

Para ver toda la línea de productos Dimplex, visite www.dimplex.com

7208680100R06



Índice

 Bienvenido y felicitaciones	3
 INSTRUCCIONES IMPORTANTES	4
 Instalación de chimenea	7
 Operación	11
 Mantenimiento	14
 Garantía	18
 Piezas de recambio	22

Siempre llame a un técnico calificado o use los servicios de una agencia de servicio para reparar este calentador de aire.

! NOTA: Procedimientos y técnicas que se considera importante destacar.

! PRECAUCIÓN: En caso de no seguir los procedimientos y técnicas cuidadosamente, se dañará el equipo.

! ADVERTENCIA: Procedimientos y técnicas que, en caso de no seguirse cuidadosamente, expondrán al usuario a riesgo de incendio, lesión grave o muerte.



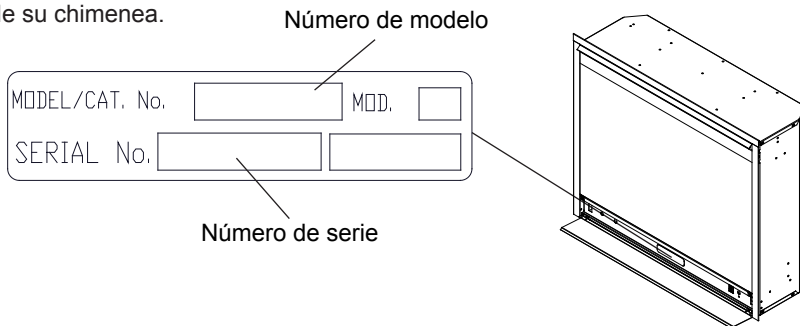
Bienvenido y felicitaciones

Gracias y felicitaciones por haber comprado una chimenea eléctrica de Dimplex, el líder del mundo en chimeneas eléctricas.

Lea con atención y guarde estas instrucciones.

⚠ PRECAUCIÓN: Lea todas las instrucciones y advertencias con atención antes de comenzar la instalación. En caso de no hacerlo, puede ocurrir una descarga eléctrica o un incendio y se anulará la garantía.

Anote los números de modelo y de serie de su chimenea que se muestran a continuación para cualquier consulta: el números de modelo y de serie se encuentran en la etiqueta de Etiqueta con los números de modelo y de serie de su chimenea.



O ES NECESARIO REGRESAR A LA TIENDA

¿Tiene alguna pregunta sobre el ensamblaje? ¿Necesita información sobre las piezas? ¿El producto está bajo garantía del fabricante?

Contactenos:  www.dimplex.com/customer_support
Para Solucionar problemas y Soporte tecnico



Llame sin cargo al 1-888-DIMPLEX (1-888-346-7539)
lunes a viernes, 8:00 a.m. a 4:30 p.m., hora del Este.
Tenga el número de modelo y el número de serie del producto a la mano. (Vea arriba)



INSTRUCCIONES IMPORTANTES

- ① Lea todas las instrucciones antes de usar el calentador de aire eléctrico
- ② El calentador de aire se pone caliente al usarlo. Para evitar quemaduras, no toque las superficies calientes con la piel al aire. El adorno situado alrededor de la salida de aire del calentador de aire se calienta durante su funcionamiento.
- ③ Hay que extremar la precaución cuando se use cualquier calentador de aire cerca de los niños o inválidos o bien sean ellos quienes lo manejen y siempre que se deje el aparato en funcionamiento y sin vigilancia.
- ④ Debe vigilarse atentamente a los niños para asegurarse de que no juegan con el aparato.
- ⑤ El aparato no se ha diseñado para que sea manejado por los niños ni personas débiles sin supervisión.
- ⑥ El aparato debe ubicarse de modo que quede accesible el enchufe.
- ⑦ Desenchufe siempre el calentador de aire eléctrico cuando no se esté usando.
- ⑧ Si está deteriorado el cable de alimentación, debe ser sustituido por el fabricante, su distribuidor o un técnico cualificado para evitar cualquier riesgo.
- ⑨ No haga funcionar ningún aparato con un cable o enchufe dañado, ni si el calentador de aire funciona mal ni si se ha caído o presenta cualquier daño. Póngase en contacto con el Servicio de asistencia técnica de Dimplex 1-888-346-7539.
- ⑩ No lo use a la intemperie.
- ⑪ No coloque el calentador de aire donde pueda caer en una bañera o en cualquier otro recipiente con agua.
- ⑫ No instale el calentador de aire directamente sobre una alfombra ni superficie similar que pueda restringir la circulación de aire debajo del aparato.
- ⑬ No coloque el cable por debajo de las alfombras. No cubra el cable con esteras, alfombrillas o artículos similares. Sitúe el cable alejado de las zonas de paso y en donde no se tropiece.
- ⑭ No sitúe el calentador de aire justo debajo de una toma de corriente fija.
- ⑮ Para desconectar el calentador



PRECAUCIÓN
RIESGO DE DESCARGA ELÉCTRICA - NO ABRIR
NO CONTIENE PARTES QUE EL USUARIO
PUEDA REPARAR





INSTRUCCIONES IMPORTANTES

de aire, apague los mandos y, luego, retire el enchufe de la toma.

⑯ No introduzca ni deje que entren cuerpos extraños en los orificios de ventilación o escape ya que ello puede provocar una descarga eléctrica o un incendio, o bien deteriorar el calentador de aire.

⑰ Aunque esta unidad está del diseño cero de la separación para evitar cualquier posible incendio, no bloquee la entrada ni la salida de aire bajo ningún concepto. No lo utilice en superficies blandas, como en una cama, en la que puedan bloquearse las aberturas.

⑱ Todos los calentadores de aire eléctricos tienen dentro piezas calientes o que provocan chispas o arcos eléctricos. No lo use en zonas en las que se empleen o almacenen gasolina, pintura o líquidos inflamables o donde el aparato quede expuesto a vapores inflamables.

⑲ .No modifique el calentador de aire eléctrico. Úsela tal como se describe en el presente manual. Cualquier otro uso que no haya sido recomendado por el fabricante puede causar un incendio, una descarga eléctrica o lesiones a las personas.

⑳ Evite el uso de una alargadera. Los cables tipo alargadera pueden recalentarse y provocar un incendio. Si no le queda más remedio que usar una alargadera, el cable debe ser del calibre N° 14 AWG de capacidad como mínimo y para una potencia nominal no menor de 1.875 W.

㉑ No queme madera ni otros materiales en el calentador de aire eléctrico.

㉒ No golpee el cristal del calentador de aire.

㉓ Acuda siempre a un electricista homologado en el caso de que le hagan falta nuevos circuitos o tomas.

㉔ Use siempre enchufes polarizados, bien puestos a tierra y dotados de fusibles.

㉕ Desconecte todas las fuentes de energía antes de realizar cualquier limpieza, mantenimiento o cambio de sitio de la unidad.

㉖ Cuando se transporten o almacenen el aparato y el cable, manténgalo en un sitio seco, libre de vibraciones excesivas, y almacenado de modo que se evite cualquier perjuici.

GUARDE ESTAS INSTRUCCIONES



INSTRUCCIONES IMPORTANTES

! NOTA: Este aparato ha sido ensayado y encontrado conforme con las exigencias de los aparatos digitales de Clase B, ajustándose al apartado 15 de las Normas FCC. Estas exigencias se han establecido para proporcionar una protección razonable contra las interferencias dañinas en una instalación residencial. Este aparato emite y emplea energía de radiofrecuencia y si no se instala y usa de acuerdo con estas instrucciones, puede provocar interferencias nocivas a la recepción de la radio y de la televisión, que se pueden saber si se enciende o apaga el aparato; se insta al usuario a corregir dichas interferencias adoptando una o más de las medidas siguientes:

- Reorientar o resituar la antena receptora.
- Aumentar la separación entre el aparato y el receptor.
- Conectar el aparato a una toma de corriente o circuito diferente de aquel al que está conectado el receptor.
- Si necesita ayuda, consulte al distribuidor o a un técnico de radio o televisión.

El funcionamiento está sujeto a las dos condiciones siguientes: (1) el aparato puede que no cause interferencias y (2) el aparato puede aceptar cualquier interferencia, incluyendo la que pudiera cuasar el funcionamiento del aparato.



Instalación de chimenea

⚠ ADVERTENCIA: Asegúrese de que al montar el cable de alimentación no queda atrapado ni apoyado contra aristas vivas y cerciórese de que el cable está bien guardado o sujeto para evitar tropiezos o enganchones y reducir así el riesgo de incendio, descarga eléctrica o lesiones a las personas.

El cableado eléctrico de la toma debe cumplir con las ordenanzas de construcción municipales y con la demás reglamentación aplicable a fin de reducir el riesgo de incendio, descarg eléctrica y lesiones.

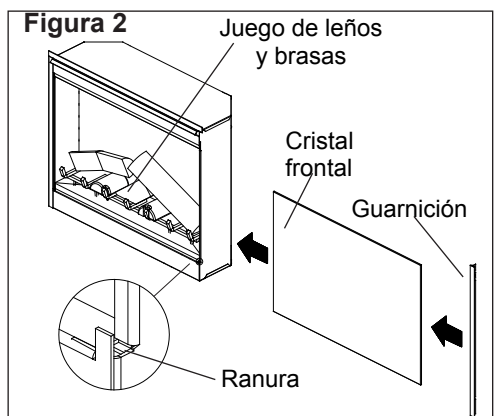
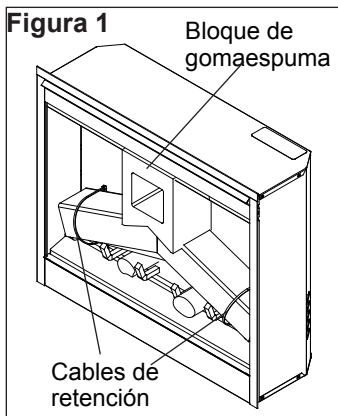
No intente cablear usted mismo los nuevos circuitos

o tomas. Para reducir el riesgo de incendio, descarga eléctrica o lesiones, acuda siempre a un electricista homologado.

Ensamblaje del calentador de aire

Para ensamblar, simplemente haga deslizar el cristal frontal en la parte delantera del calentador y fíjelo con las herramientas necesarias.

1. Retire cuidadosamente el calentador y el cristal del embalaje. Tire la bolsa de plástico y la gomaespuma de embalaje.
2. Retire el bloque de gomaespuma de dentro del calentador (Figura 1).



Instalación de chimenea

3. Con unas pinzas de filo cortante o unas tijeras, corte y retire los dos (2) cables de retención, como se muestra en la Figura 2, y retire el cartón que protege el juego de leños y brasas.
4. Retire la guarnición de la derecha, quitando los tres (3) tornillos Phillips ubicados en el lateral del calentador (Figura 2).
5. Coloque el cristal en la ranura de la parte delantera del calentador (Figura 2) y hágalo deslizar a lo largo del calentador hasta que llegue al extremo izquierdo.
6. Fije de nuevo la guarnición de la derecha, atornillando los tres (3) tornillos Phillips que quitó en el paso 4.

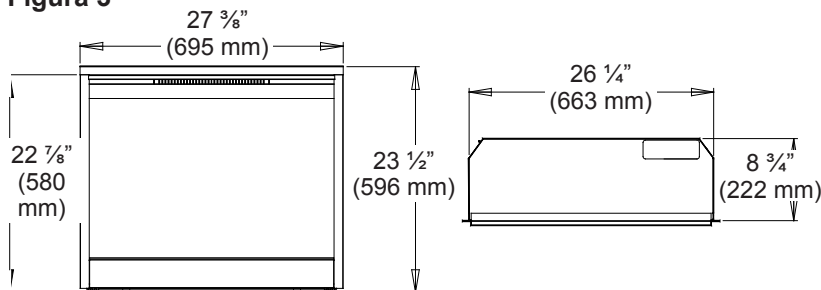
Selección y preparación del sitio

Esta sección proporciona instrucciones para seleccionar un emplazamiento y prepararlo con objeto de instalar el calentador de aire en el manto Dimplex:

1. Seleccione un sitio adecuado que no sea sensible a la humedad y que se encuentre alejado de las cortinas, mobiliario y zonas de mucho paso.
2. Para facilitar la conexión es deseable situar el calentador de aire cerca de un enchufe ya existente (consulte la NOTA 1).
3. Almacene el calentador de aire en un lugar seguro, seco y libre de polvo.

 **PRECAUCIÓN:** Dos (2)

Figura 3





Instalación de chimenea

espaciadores proporcionan espacio libre debajo del calentador de aire para facilitar la circulación de aire. **No instale el calentador de aire directamente en alfombras o superficies análogas que puedan restringir la circulación de aire.** Si se instala el calentador de aire en una zona alfombrada, coloque un elemento sólido, liso, de una sola pieza debajo del calentador de aire. Asegúrese de que todas las patas asientan bien en esa superficie.

! **NOTA:** Las dimensiones de hogar con el equilibrio son 27 $\frac{3}{8}$ pul. (695 mm) a lo lejos x 23 $\frac{1}{2}$ pul. (596 mm) altura x 8 $\frac{3}{4}$ pul. (222 mm) profundamente. Las dimensiones sin equilibrio son de 26 $\frac{1}{4}$ pul. (663 mm) a lo lejos x 22 $\frac{7}{8}$ pul. (580 mm) altura x 8 $\frac{3}{4}$ pul. (222 mm) profundamente. El calentador de aire no requiere ninguna ventilación adicional (Figura 3).

Instalación del calentador de aire

Instale el calentador de aire en el manto (consulte las instrucciones de montaje del manto).

! **NOTA 1:** Hace falta un circuito de 120 voltio y 15 amperio. Es preferible disponer de un circuito exclusivo, pero no resulta esencial en todos los casos. Hará falta un circuito exclusivo si, después de la instalación, el disyuntor salta o se funden los fusibles con cierta frecuencia al poner en marcha el calentador. El enchufar otros aparatos en el mismo circuito puede superar la corriente nominal del disyuntor.

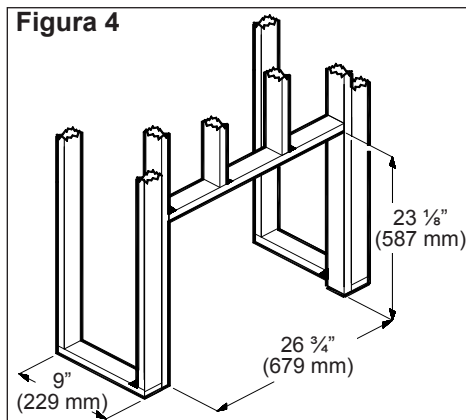
! **IMPORTANTE:** Si no usa un manto Dimplex, el calentador de aire debe instalarse en un recinto con las dimensiones **MÍNIMAS** siguientes (Figura 4).

Montaje nuevo en pared

1. Seleccione un sitio adecuado que no sea sensible a la humedad y que se encuentre alejado de las cortinas, mobiliario y zonas de mucho paso.
2. Coloque el calentador de aire en el sitio deseado para ver cómo queda en la habitación.
3. Marque la ubicación que desee en el suelo.

Instalación de chimenea

Figura 4



4. Use tacos para enmarcar una abertura de 26 $\frac{3}{4}$ pul. (679 mm) de ancho x 23 $\frac{1}{8}$ pul. (587 mm) de alto x 9 pul. (229 mm) de fondo.

Opción 1: El cable de alimentación puede ir desde detrás del adorno y por la pared hasta un enchufe situado cerca del calentador de aire.

Opción 2: Puede instalar una toma de corriente nueva dentro del alojamiento.

Enchufe el aparato a una toma de 15 amperio/120 voltio. Si no llega el cable, puede usar una alargadera dimensionada para un **mínimo de 1875 W**.

Calentador de aire ya existente

1. Selle todas las corrientes de aire y huecos con un material aislante no fibroso para evitar que caiga cualquier resto del tubo que hace de chimenea en el calentador de aire. No lo instale en un lugar que sea propenso a la humedad.

Cubra la parte superior del tubo de chimenea para evitar que penetre la lluvia.

3. Prevea la toma de corriente eléctrica.
4. El cable de alimentación puede ir por el frente del hogar hasta una toma situada cerca del calentador de aire.

⚠ PRECAUCIÓN: Dos (2) espaciadores proporcionan espacio libre debajo del alojamiento del calentador de aire para facilitar la circulación de aire. **No instale el alojamiento del calentador de aire directamente en alfombras o superficies análogas que puedan restringir la circulación de aire.** Si se instala el calentador de aire en una

Instalación de chimenea

zona alfombrada, coloque un elemento sólido, liso, de una sola pieza bajo el alojamiento del calentador de aire.

Asegúrese de que las patas del alojamiento del calentador de aire descansan bien en dicha superficie.

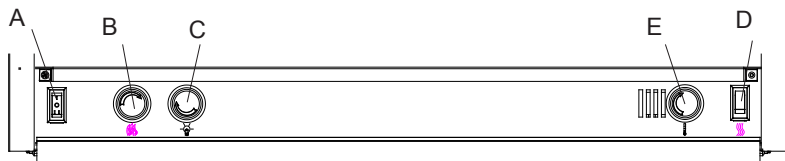
Uso en el cuarto de baño

Si se instala el aparato en un cuarto de baño, debe protegerse con un receptáculo o interruptor diferencial a tierra. Si se usa un receptáculo, debe ser de fácil acceso. Este aparato no es estanco; por ello, para

evitar las descargas eléctricas debe instalarse de modo que no penetre agua en él. Debe instalarse lejos de duchas, bañeras, etc. No coloque nunca el calentador de aire donde pueda caer en una bañera o en cualquier otro recipiente con agua. Las temperaturas altas pueden generar bajo ciertas condiciones andramales. No parcialmente o completamente la cubierta u obstruir el frente de este calentador.

Operación

Figura 5



Control manual del calentador de aire eléctrico

Los controles manuales del calentador de aire están ubicados detrás del panel de acceso que está situado en la parte inferior

del calentador de aire (Figura 5).

A. Interruptor de Encendido/ Apagado (On/Off) de tres posiciones

El interruptor tiene dos (2) posiciones on marcadas con

Operación

“ I ” y “ II ”. La posición “ I ” es para funcionamiento manual. En esta posición, está puentado el control remoto integrado. La posición “ II ” es para que la unidad funcione con el control remoto suministrado. Cuando está en la posición “ II ”, el aparato funciona con los botones de Marcha (*On*) y Paro (*Off*) del control remoto. Cuando el interruptor está en la posición central “ o ”, el aparato está apagado.

B. Control de acción de la llama

Gire el mando de control de acción de la llama para regular la velocidad de la llama al nivel deseado.

C. Reglaje de la intensidad de la llama

Gire el botón de reglaje de la intensidad de la llama para aumentar o disminuir la luminosidad del interior del calentador de aire.

D. Interruptor *On/Off* del calefactor

El interruptor *On/Off* del calentador suministra corriente al elemento calefactor cuando

el interruptor de Encendido/ Apagado (*On/Off*) de tres posiciones (A) está en *On*.

E. Termostato del calentador

Para regular la temperatura a su gusto, gire el mando del termostato a tope, en sentido horario, para encender el calentador de aire. Cuando la temperatura haya alcanzado la temperatura deseada, gire el mando del termostato en sentido antihorario hasta que oiga un “clic”. Déjelo en esta posición para mantener la temperatura ambiente en este valor. Si desea una temperatura mayor, gire el termostato en sentido horario hasta que oiga de nuevo un “clic” y el calefactor se encienda. Para apagar el calefactor, gire el termostato a tope, en sentido antihorario.

Reajuste del interruptor de corte de la temperatura

Este aparato dispone de un termostato que controla la temperatura de la habitación y que procede a encender o apagar el calentador de aire. El calentador va protegido por un dispositivo de seguridad que

👉 Operación

evita el sobrecalentamiento. En el caso de que el calefactor caliente de más, un mando automático apagará el calefactor y no entrará de nuevo si no se rearma. Se puede reiniciar poniendo el interruptor de Encendido/ Apagado (*On/Off*) de tres posiciones en *Off* y esperando cinco (5) minutos antes de ponerlo en *On*.

⚠ PRECAUCIÓN: Si tiene que reiniciar continuamente el calentador de aire, desenchúfelo y llame al Servicio Técnico en el 1-888-346-7539. Cuando llame, tenga a mano el número de modelo y el número de serie de su aparato.

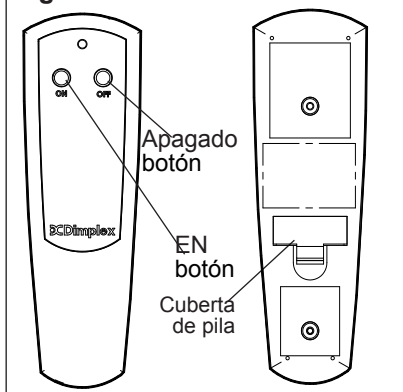
Control remoto (Figura 7)

El calentador de aire se suministra con un mando a distancia de Marcha/Paro integrado.

! NOTA: Asegúrese de que el Interruptor de Encendido/ Apagado (*On/Off*) de tres posiciones del calentador de aire está puesto en remoto ("II").

Para encender el calentador de aire, pulse el botón de Marcha

Figura 6



(*On*) y para apagarla pulse el de Paro (*Off*).

Cambio de las pilas (Figura 6)

Para cambiar la batería:

1. Deslice la tapa de la pila del telemando portátil.
2. Ponga una (1) pila de 12 voltio (A23) en el compartimiento de la pila.
3. Vuelva a colocar la tapa de la batería.

Inicialización y reprogramación de control remoto

Siga estos pasos para inicialización de mando a distancia y de ser requerido, reinicialización:

1. Desenchufe la chimenea de

Operación

- la corriente.
2. Coloque el interruptor de encendido/apagado de tres posiciones en la posición "Control remoto" (*Remote*) (Figura 5A).
3. Espere al menos cinco (5) segundos y, a continuación, enchufe de nuevo la chimenea a la corriente.
4. Diez segundos después de

enchufar la chimenea, pulse el interruptor ON situado en el transmisor del mando a distancia.

! NOTA: Sólo dispone de 10 segundos para realizar esta última etapa. De lo contrario, deberá volver a efectuar todos los pasos de nuevo.

Esto sincronizará el transmisor y el receptor del control remoto.



Mantenimiento

⚠ ADVERTENCIA: Desconecte la corriente antes de intentar cualquier labor de mantenimiento o limpieza para reducir el riesgo de incendio, descarga eléctrica o lesiones a las personas.

Cambio de bombillas

Deje que transcurran cinco (5) minutos para dar tiempo a que se enfríen las bombillas antes de tocarlas; así evitará el que se pueda quemar por accidente. Hay que cambiar las bombillas cuando observe una parte oscura en la llama o cuando desaparezcan la claridad y detalles del lecho de brasas del tronco. Hay tres (3) bombillas debajo de los troncos,

encargadas de generar las llamas y las brasas; y dos (2) bombillas por encima del tronco que iluminan el tronco exterior.

Especificaciones de la bombilla inferior

Tres (3) bombillas transparentes de 60 W, tipo candelabro, con casquillo (pequeño) E-12. Ejemplo: GE 60BC o Philips 60 CTC.

No supere los 60 W por bombilla.

Consejos útiles

Es buena idea cambiar todas las bombillas de una vez si es que están todas al final de su vida útil. Si sustituye todas las bombillas



Mantenimiento

a la vez, reducirá el número de veces que tendrá que abrir el calentador de aire para cambiar las bombillas. Debe tener mucho cuidado cuando tenga que quitar el juego de leños y brasas ya que éste contiene fotodiodos y cables (DF2608 solamente).

Para acceder a la zona de bombillas inferiores:

1. Saque el calentador de aire del manto.
2. Haga descansar el aparato sobre la parte trasera para poder quitar con seguridad el cristal delantero.
3. Quite los tres (3) tornillos de cabeza Philips del adorno del lado derecho.
4. Quite el adorno.
5. Deslice el cristal al lado derecho del calentador de

aire para sacarlo (Figura 8).

6. Tire del borde delantero del lecho de brasas de plástico o de la rejilla de plástico hacia arriba y adelante hasta que la pestaña trasera se suelte del reborde situado en la parte inferior del espejo (Figura 9).

! IMPORTANTE: Para manipular el juego de leños y brasas, sujételo únicamente por el lecho de brasas o por la reja de plástico.

! NOTA: El juego de leños y brasas encaja perfectamente en la caja del calentador de aire; puede que haya que hacer algo de fuerza para sacarlo.

7. Coloque el juego de leños y brasas delante del calentador de aire.
8. Retire la barra de reglaje

Figura 7

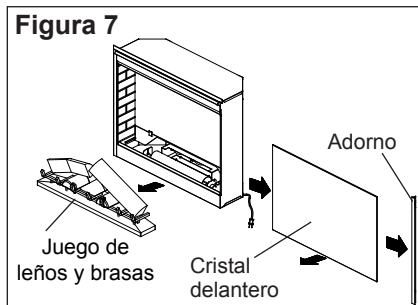
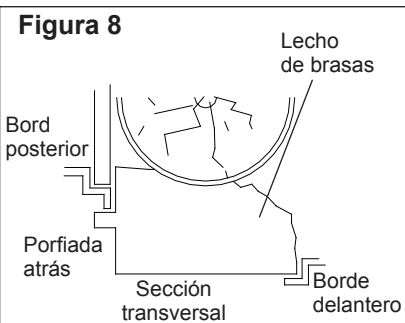


Figura 8





Mantenimiento

del efecto de llama tirándola hacia la derecha, hacia el motor del efecto de llama. Doble suficientemente la barra de reglaje para liberar el soporte a la izquierda; levante la barra de reglaje y tire para sacarla del eje del motor del efecto de llama (Figura 9).

9. Para acceder más fácilmente a las bombillas, retire los cuatro (4) tornillos Phillips [dos (2) a cada lado] que sujetan el soporte del filtro (Figura 9).
10. Para retirar las bombillas, desenrósquelas en sentido contrario a las agujas del reloj.
11. Coloque nuevas bombillas, enroscándolas hacia la derecha.
12. Vuelva a colocar el soporte del filtro y la barra de reglaje del efecto de llama.
13. Para instalar el juego de leños y brasas, coloque el borde inferior delantero del lecho de brasas en el riel ubicado detrás del panel de mandos. Una vez colocado así, empuje el extremo

trasero del lecho de brasas hasta que la lengüeta posterior se coloque debajo del espejo (Figura 9).

! NOTA: Compruebe que está bien montado el juego de leños y brasas bajo borde inferior del espejo para evitar que se escape la luz.

14. Coloque el aparato sobre la parte trasera, ponga de nuevo el cristal delantero en su sitio y coloque la junta de adorno.

Especificaciones de la bombilla superior

Dos (2) bombillas transparentes de 15 W, tipo candelabro, con casquillo (pequeño) E-12.

No supere los 15 W por bombilla.

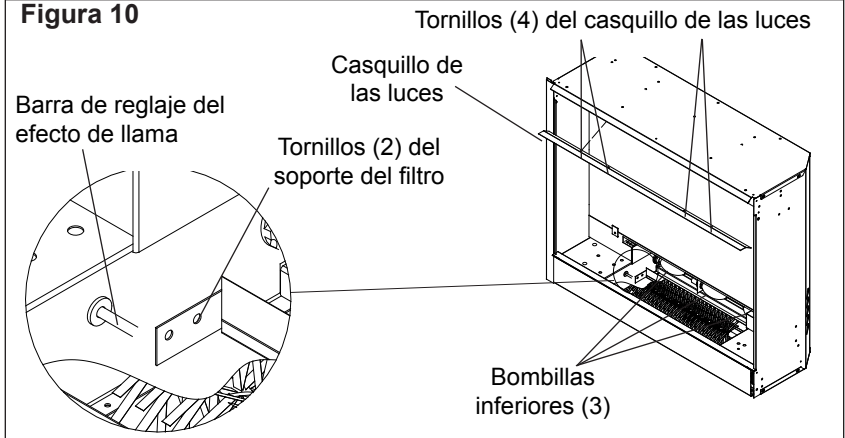
Para acceder a la zona de bombillas superiores:

1. Saque el calentador de aire del manto.
2. Haga descansar el aparato sobre la parte trasera para poder quitar con seguridad el cristal delantero.
3. Quite los tres (3) tornillos de cabeza Phillips de la junta de



Mantenimiento

Figura 10



adorno del lado derecho.

4. Quite el adorno.
5. Desplace el cristal al lado derecho del calentador de aire para quitarlo (Figura 8).
6. Las bombillas superiores están ubicadas en los ángulos superiores derecho e izquierdo del calentador de aire, detrás del soporte del casquillo de las luces (Figura 9).
7. Retire los cuatro (4) tornillos Phillips que sujetan el casquillo de las luces al calentador de aire (Figura 9).
8. Coloque unas bombillas nuevas.
9. Vuelva a colocar el soporte

de la luz superior.

10. Fije nuevamente el soporte del casquillo de las luces.

Limpieza del cristal

El cristal se limpia en fábrica durante la fase de montaje. En la expedición, instalación, manejo, etc. el cristal puede acumular partículas de polvo; éstas pueden eliminarse desempolvando suavemente con un trapo limpio y seco.

Para eliminar las huellas dactilares u otras marcas, debe limpiarse el cristal con un paño húmedo. Para evitar que se raye, no use limpiadores abrasivos ni rocíe líquidos en ninguna superficie.



Mantenimiento

Limpieza de la superficie del calentador de aire

Emplee un paño humedecido sólo con agua caliente para limpiar las superficies pintadas del calentador de aire eléctrico. No use limpiadores abrasivos.



Garantía

Garantía limitada de dos años

Productos a los que se aplica la garantía limitada

Esta garantía limitada se aplica al calentador de aire eléctrico Dimplex de nueva compra. La garantía limitada se aplica sólo a las compras realizadas en cualquier provincia de Canadá *excepto* el Territorio de Yukón, Nunavut, o los Territorios del noroeste, o en cualquiera de los 50 estados de los Estados Unidos de América, (incluyendo el Distrito de Columbia) *salvo* Hawaii y Alaska. Esta garantía limitada sólo se aplica al comprador inicial del producto y no es transferible.

Productos excluidos de esta garantía limitada

Las bombillas no están amparadas por esta garantía limitada y son responsabilidad exclusiva del propietario/comprador. No están cubiertos por esta garantía limitada los productos comprados en el Territorio de Yukón, Nunavut, Territorios del noroeste, Hawaii o Alaska. Los productos comprados en estos

Estados, provincias o territorios se venden TAL CUAL, sin garantía ni condición de ningún tipo (incluyendo, sin limitación, cualquier garantía implícita o condiciones de comerciabilidad o adecuación a un fin particular) y el riesgo total respecto de la calidad y del rendimiento de los productos recae en el comprador; y en el caso de un defecto, el comprador asume todo el coste de cualquier servicio o reparación necesarios.

Lo que cubre la garantía y hasta cuándo

Los productos, distintos de los faldones de la Calentador de aire (chasis) y juntas, cubiertos por esta garantía limitada se han ensayado e inspeccionado antes de su expedición. De acuerdo con las cláusulas de esta garantía, Dimplex garantiza que tales productos no tienen defectos ni de materiales ni de fabricación durante 2 años a contar a partir de la fecha de la primera compra de tales productos, del siguiente modo: (a) garantía de reparación/reemplazo de cualquier pieza o producto defectuoso, incluyendo servicios a domicilio, durante los 1 primeros años a partir de la fecha de la primera compra; y (b) una garantía posterior de cambio de



Garantía

las piezas de los productos defectuosos (sin servicios a domicilio) durante los 1 año restantes a contar a partir del primer aniversario de la primera compra y que finaliza en el segundo aniversario de la fecha de la primera compra. Los complementos del calentador de aire (mantos) y adornos Dimplex amparados por esta garantía limitada se han ensayado e inspeccionado antes de su expedición y, de acuerdo con las cláusulas de esta garantía, Dimplex garantiza que están libres de defectos de materiales y de fabricación durante un periodo de 1 año a contar desde la fecha de primera compra de dichos productos. El periodo limitado de 2 años de garantía para los productos, salvo los complementos del calentador de aire (mantos), y el periodo limitado de 1 año de garantía para los complementos del calentador de aire (mantos) y los adornos se aplica también a cualquier garantía implícita que pueda existir según la legislación aplicable. Algunas jurisdicciones no permiten limitaciones sobre la duración de la garantía, por ello, la limitación antes citada puede que no sea aplicable al comprador.

Lo que esta garantía limitada no ampara

Esta garantía limitada no se aplica a los productos que se han reparado (excepto por Dimplex o su autoriza los representantes/delegados técnico) o alterado de otra manera. Esta garantía limitada fomenta para no aplicarse a los defectos resultando de uso erróneo, abuso, accidente, negligencia, instalación incorrecta, mantenimiento o dirección incorrecta, u operación con una fuente de energía incorrecta.

Lo que debe hacer para solicitar el

servicio técnico amparado por esta garantía limitada

Debe informarse de los defectos al Servicio Técnico de Dimplex poniéndose en contacto con Dimplex en el 1-888-DIMPLEX (1-888-346-7539), o en 1367 Industrial Road, Cambridge, Ontario, Canadá N1R 7G8. Cuando llame, tenga a mano la evidencia de compra, así como los números de catálogo, de modelo y de serie. El servicio de garantía limitada exige el que se disponga de la evidencia de compra del producto.

Lo que hará Dimplex en el caso de defecto

En el caso de que un producto o pieza amparado por esta garantía limitada se demuestre que es defectuoso en materiales o en fabricación durante (i) el periodo de 2 años de garantía de los productos diferentes de los complementos del calentador de aire (mantos) y adornos, y (ii) el periodo de 1 año para los complementos del calentador de aire (mantos) y adornos, usted tiene los derechos siguientes:

- El servicio de garantía limitada será realizado exclusivamente por los concesionarios o servicio de asistencia técnica de Dimplex que haya sido autorizado a prestar los servicios de garantía.
- **Para aquellos otros productos (distintos de los faldones (chasis) y juntas) para el periodo que finaliza a la medianoche en primera lugar aniversario de la fecha de la primera compra**, Dimplex, bajo su propio criterio, podrá o bien reparar o bien cambiar la pieza o producto



Garantía

defectuoso sin cargo. Si Dimplex no pudiera reparar ni cambiar la pieza o producto, o si la reparación o cambio no es comercialmente practicable o no se puede realizar de modo diligente, Dimplex puede, en lugar de reparar o cambiar, reintegrar al comprador el precio de dicho producto o pieza. *Esta garantía limitada faculta al comprador a servicios a domicilio o in-situ* En consecuencia, Dimplex será responsable de todos los costes de mano de obra y de transporte relacionados con la reparación o cambio del producto o pieza salvo lo siguiente: (i) las cargas en las que se incurra por los costes de desplazamiento al domicilio del comprador en aquellos casos en que éste se encuentre a más de 30 millas (48 km) del servicio técnico más cercano del concesionario Dimplex o del técnico correspondiente; y (ii) el comprador es el exclusivo responsable de facilitar acceso a todas las piezas mantenibles del producto.

- **Para los productos (diferentes de los faldones (chasis) y juntas) del periodo que comienza a las 12:01 a.m. del primer día después en primera lugar aniversario de la primera compra y que finaliza la medianoche del segundo aniversario de la fecha de primera compra**, esta garantía limitada da derecho al comprador a que se le cambien sólo las piezas sin cargo. Si Dimplex no pudiera reparar la pieza, o si el cambio no fuese comercialmente practicable o no se puede realizar de modo diligente, Dimplex puede, en lugar de cambiar el elemento,

reintegrar al comprador el precio de dicha pieza. Esta garantía limitada no da derecho al comprador a servicios a domicilio o in-situ. El comprador será responsable de todos los gastos en los que se incurra por eliminar la pieza e instalación de la pieza a cambiar, incluyendo, sin limitación, todos los costes de expedición y transporte hacia y desde la sede del concesionario o técnico autorizado y de todos los costes de mano de obra. Tales costes no son responsabilidad de Dimplex.

- **Para los faldones (chasis) y juntas, en el periodo que finaliza a la medianoche del primer aniversario de la fecha de la primera compra**, Dimplex, bajo su propio criterio, podrá o bien reparar o bien cambiar tales faldones (chasis), juntas o piezas defectuosas sin cargo. Si Dimplex no pudiera reparar ni cambiar la pieza o producto, o si la reparación o cambio no es comercialmente practicable o no se puede realizar de modo diligente, Dimplex puede, en lugar de reparar o cambiar, reintegrar al comprador el precio de dicho producto o pieza. Esta garantía limitada no da derecho al comprador a servicios a domicilio o in-situ. El comprador será responsable de todos los gastos en los que se incurra por reparar o cambiar tal producto o pieza, incluyendo, sin limitación, todos los costes de expedición y transporte hacia y desde la sede del concesionario o técnico autorizado y de todos los costes de mano de obra. Tales costes no son responsabilidad de Dimplex.
- A petición del comprador, y a su



Garantía

cargo, pueden prestarse servicios in situ o a domicilio no cubiertos por esta garantía sujetándose a las tarifas oficiales del momento de Dimplex para dichos servicios.

De lo que tampoco son responsables ni Dimplex ni los distribuidores ni los técnicos de mantenimiento.

EN NINGÚN CASO SERÁN RESPONSABLES DIMPLEX, NI SUS DIRECTIVOS, NI RESPONSABLES, NI AGENTES, FRENTE AL COMPRADOR O TERCEROS DE CUALQUIER TIPO, BIEN SE CONTEMPLE CONTRACTUALMENTE,



Piezas de recambio

Ensamble de lenos	0439560100RP
Motor del efecto de llama 120V.	3000240200KIT
Ensamble del Calentador (con recorte).	2000330100RP
Termostato.	2300150100RP
Interruptor principal de Encendido/Apagado	2800071100RP
Selección manual del interruptor de calor	2800070700RP
Control de accion de la llama con potenciómetro	3000240500RP
Control reulador de la luz com potenciómetro.	3000250100RP
Juego de cables	4100040200RP
Portalámpara simple (centro de inferior)	2500150300RP
Portalámpara doble (superior e inferior)	2500400300RP
Espejo	5901210200RP
Vidrio delantero	5901220100RP
Perilla de control	8800000200RP
Transmisor para control remoto	3000370500RP
Receptor del control remoto	3000380200RP
Bloque de terminales.	4000070100RP
Varilla de titilacion	5901250100RP
Guarnición kit de reemplazo	9600260100RP



Dimplex North America Limited
 1367 Industrial Road
 Cambridge ON
 Canada N1R 7G8

© 2011 Dimplex North America Limited

Free Manuals Download Website

<http://myh66.com>

<http://usermanuals.us>

<http://www.somanuals.com>

<http://www.4manuals.cc>

<http://www.manual-lib.com>

<http://www.404manual.com>

<http://www.luxmanual.com>

<http://aubethermostatmanual.com>

Golf course search by state

<http://golfingnear.com>

Email search by domain

<http://emailbydomain.com>

Auto manuals search

<http://auto.somanuals.com>

TV manuals search

<http://tv.somanuals.com>