

D410.FS

D1410.116

G449

D1410.16

D500.140

A

A

D1500.26

B

D500.05

C

D500.38

D500.27

B

DB1485

D1671



D410.27

B

DB1484

D1629

C

D320.27

B

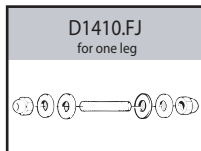
DB1469

D1630

C

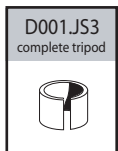
D1320.28MK2

D1220.25



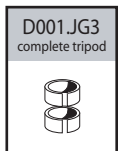
D1410.FJ
for one leg

A



D001.JS3
complete tripod

B

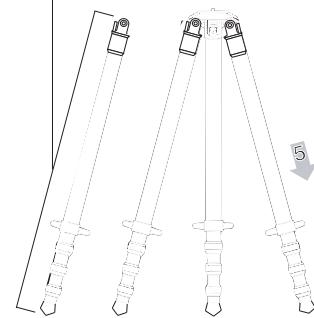


D001.JG3
complete tripod

C

G 1504

D1504.JCMK2



for serial numbers from G0000000

Free Manuals Download Website

<http://myh66.com>

<http://usermanuals.us>

<http://www.somanuals.com>

<http://www.4manuals.cc>

<http://www.manual-lib.com>

<http://www.404manual.com>

<http://www.luxmanual.com>

<http://aubethermostatmanual.com>

Golf course search by state

<http://golfingnear.com>

Email search by domain

<http://emailbydomain.com>

Auto manuals search

<http://auto.somanuals.com>

TV manuals search

<http://tv.somanuals.com>