

NEW SIZE

Stilo Isola

a tranquil island sculpture

- island canopy rangehood
- elegant styling
- 600 cfm PRO motor
- Silent Kit noise reduction
- 4 halogen lights
- 3 speed push button controls
- stainless steel baffle filters
- convertible to ductless*
- Easy Cube motor access
- sone range: 3.5 - 6.5
- 6" round duct

* it is highly recommended that professional style cooking always be vented to the outside.



Size/Color/Model

36 x 27 Stainless 630006456

48 X 27 Stainless (NEW) 630006457

a
c
c
e
s
s
o
r
i
e
s

High Ceiling Chimney Kit

Extends the island chimney for high ceilings

Stainless 620000370

Ductless Conversion Kit

Includes: • Lower Chimney with holes for ducting • Ductless Diverter Assembly • Vent Grates • Charcoal Filter

Stainless 620000364

Replacement Charcoal Filter

620000041

Designer Collection



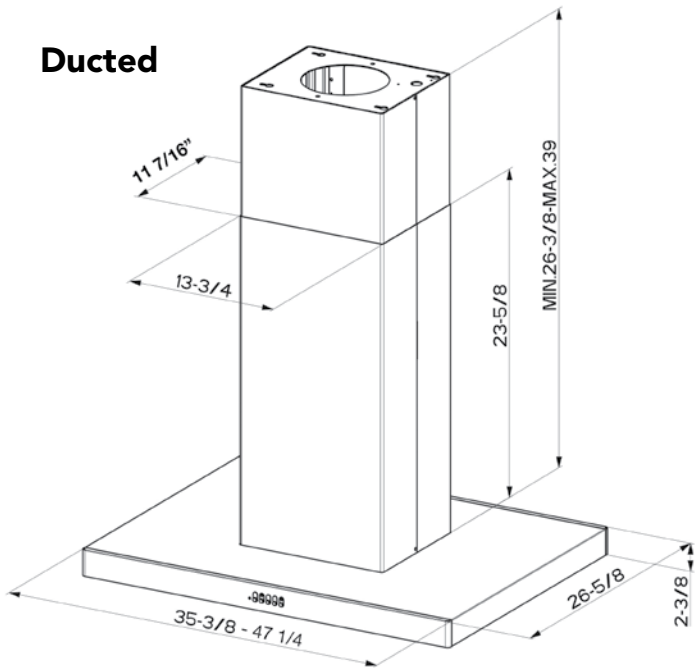
FABER

With simple lines and minimal styling, the Stilo Isola exudes modern tranquility.

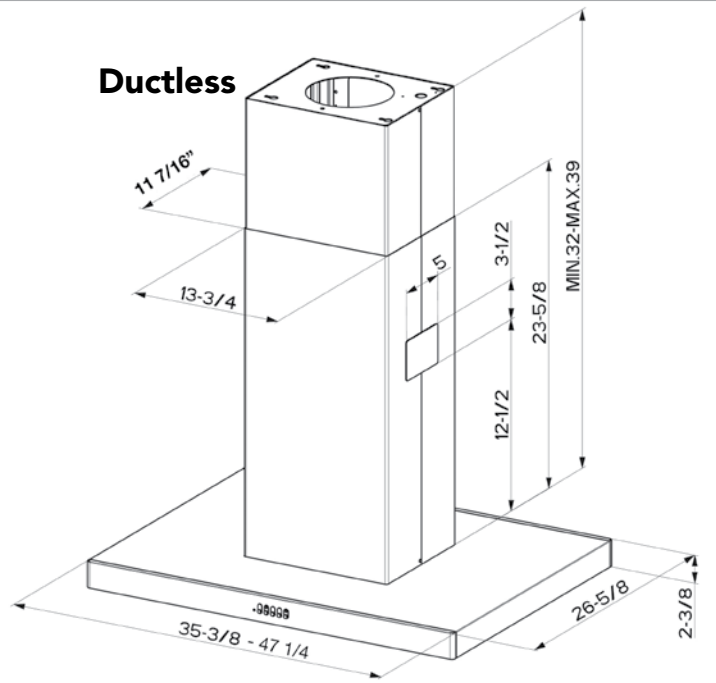


Dimensional Diagrams

Ducted

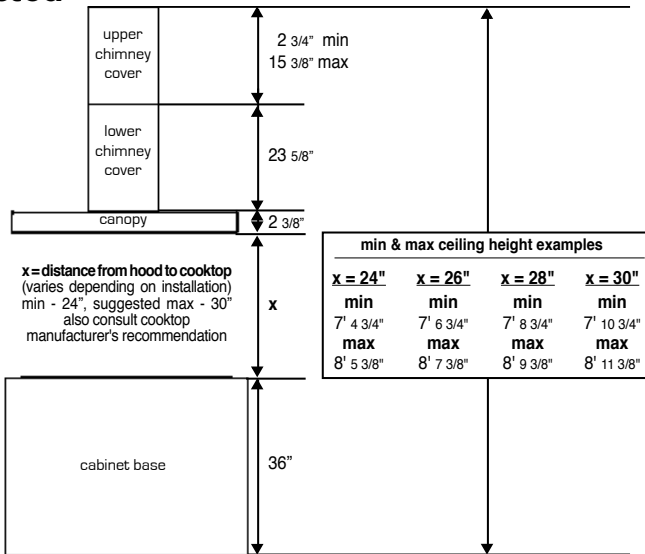


Ductless

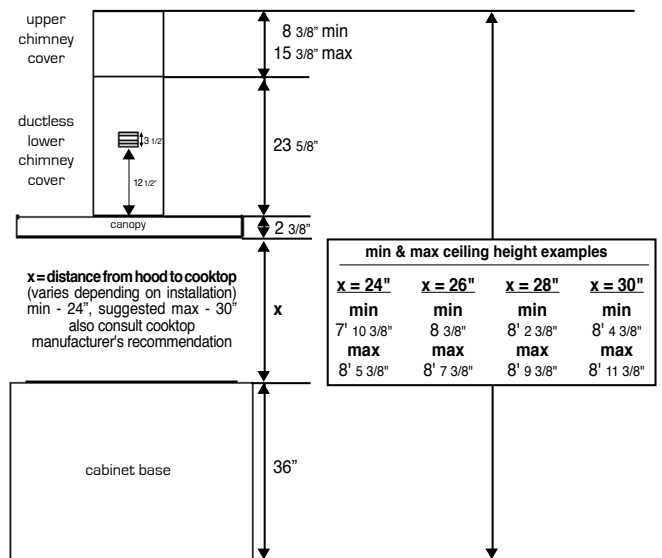


Pre-Planning Your Installation - Important: Consult the installation instructions before you begin installing this rangehood.

Ducted



Ductless



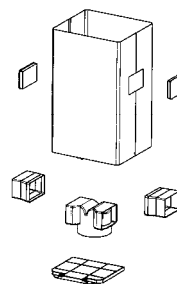
The ducted Stilo Isola chimney can be adjusted for ceilings between 7' 4 3/4" and 8' 11 3/8" depending on the distance between the bottom of the hood and the cooktop (distance x in above DUCTED diagram). The ductless Stilo Isola chimney can be adjusted for ceilings between 7' 10 3/8" and 8' 11 3/8" depending on the distance between the bottom of the hood and the cooktop (distance x in above DUCTLESS diagram). For higher ceiling installations, the High Ceiling Chimney Kit includes an additional support structure which adds 27 1/2" to the various ceiling heights in the figures above.

Pre-Planning Your Ductwork - Important: Consult the installation instructions before you begin installing this rangehood.

Make your ductrun as straight and short as possible. The ductrun should not exceed 35 equivalent feet if ducted with the required minimum of 6" round ductwork. Count 45° angles as 3 feet, 90° elbows as 5 feet, and 90° flat elbows as 12 feet.

For best results, use no more than three 90° elbows. Make sure that there is a minimum of 24" of straight duct between elbows if more than one is used. Do not install two elbows together. If you must elbow right away, do it as far away from the hood's exhaust opening as possible.

WARNING! Product specifications are subject to change without notification. Consult the installation instructions before you begin installing this rangehood. **Rev.06/08**



Ductless Installations

For installations where ductwork is impossible or highly impractical, a **Ductless Conversion Kit** is available. Charcoal filters, which attach to the blower assembly, absorb smoke and odors. A ductless diverter directs the air out to a lower chimney with vent grates cut into the sides. *** it is highly recommended that professional style cooking always be vented to the outside.**

Free Manuals Download Website

<http://myh66.com>

<http://usermanuals.us>

<http://www.somanuals.com>

<http://www.4manuals.cc>

<http://www.manual-lib.com>

<http://www.404manual.com>

<http://www.luxmanual.com>

<http://aubethermostatmanual.com>

Golf course search by state

<http://golfingnear.com>

Email search by domain

<http://emailbydomain.com>

Auto manuals search

<http://auto.somanuals.com>

TV manuals search

<http://tv.somanuals.com>