

---

# OWNER'S GUIDE

## PLHV42P8KC

---

READ AND SAVE THESE INSTRUCTIONS

### Contents

Product Registration .....	2
Important Safety Instructions .....	3
Installation .....	4-7
Use and Care .....	8
Hood Cleaning .....	9
Lights Replacement .....	10
Warranty .....	12

# Range Hood

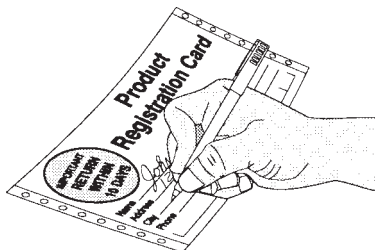
---

P/N 316 137 200

## Product Registration

### Register your Product

The self-addressed **PRODUCT REGISTRATION CARD** should be filled in completely, signed and returned to the Frigidaire Canada.



This Owner's Guide contains general operating instructions for your range hood and feature information for several models. Your range hood **may not** have all the described features.

**Note:** The instructions appearing in this Owner's Guide are not meant to cover every possible condition and situation that may occur. Common sense and caution must be practiced when installing, operating and maintaining any appliance.

**Thank you for choosing this appliance.** The information contained within this Owner's Guide will instruct you on how to properly operate and care for your range hood. Please read through the information contained in your literature pack to learn more about your new appliance.

### Record Your Model and Serial Numbers

Record in the space provided below the model and serial numbers found on the serial plate located on the right hand side of the range hood.

**Model Number:** \_\_\_\_\_

**Serial Number:** \_\_\_\_\_

**Date of Purchase:** \_\_\_\_\_

# Important Safety Instructions

## READ AND SAVE THESE INSTRUCTIONS

Take care when using cleaning agents or detergents.  
Suitable for use in household cooking area

**CAUTION** - To reduce risk of fire and to properly exhaust air, be sure to duct air outside – Do not vent exhaust air into spaces within walls or ceilings or into attics, crawl spaces, or garages.

**CAUTION** - For General Ventilating Use Only. Do Not Use To Exhaust Hazardous Or Explosive Materials And Vapors.

**WARNING** – TO REDUCE THE RISK OF FIRE, ELECTRIC SHOCK, OR INJURY TO PERSONS, OBSERVE THE FOLLOWING:

- a. Use this unit only in the manner intended by the manufacturer. If you have questions, contact the manufacturer.
- b. Before servicing or cleaning unit, switch power off at service panel and lock the service disconnecting means to prevent power from being switched on accidentally. When the service disconnecting means cannot be locked, securely fasten a prominent warning device, such as a tag, to the service panel.

**WARNING** – TO REDUCE THE RISK OF A RANGE TOP GREASE FIRE:

- a. Never leave surface units unattended at high settings. Boilovers cause smoking and greasy spillovers that may ignite. Heat oils slowly on low or medium settings.
- b. Always turn hood ON when cooking at high heat or when cooking flaming foods.
- c. Clean ventilating fans frequently. Grease should not be allowed to accumulate on fan or filter.
- d. Use proper pan size. Always use cookware appropriate for the size of the surface element.

**WARNING** – TO REDUCE THE RISK OF INJURY TO PERSONS IN THE EVENT OF A RANGE TOP GREASE FIRE, OBSERVE THE FOLLOWING:

- a. SMOTHER FLAMES with a close-fitting lid, cookie sheet, or metal tray, then turn off the burner. BE CAREFUL TO PREVENT BURNS. If the flames do not go out immediately, EVACUATE AND CALL THE FIRE DEPARTMENT.
- b. NEVER PICK UP A FLAMING PAN – You may be burned.
- c. DO NOT USE WATER, including wet dishcloths or towels – a violent steam explosion will result.
- d. Use an extinguisher ONLY if:
  1. You know you have a Class ABC extinguisher, and you already know how to operate it.
  2. The fire is small and contained in the area where it started.
  3. The fire department is being called.
  4. You can fight the fire with your back to an exit.

**WARNING** – TO REDUCE THE RISK OF FIRE, ELECTRIC SHOCK, OR INJURY TO PERSONS, OBSERVE THE FOLLOWING:

- a) Installation work and electrical wiring must be done by qualified person(s) in accordance with all applicable codes and standards, including fire-rated construction.
- b) Sufficient air is needed for proper combustion and exhausting of gases through the flue (chimney) of fuel burning equipment to prevent back drafting. Follow the heating equipment manufacturer's guideline and safety standards such as those published by the National Fire Protection Association (NFPA), and the American Society for Heating, Refrigeration and Air Conditioning Engineers (ASHRAE), and the local code authorities.
- c) When cutting or drilling into wall or ceiling, do not damage electrical wiring and other hidden utilities.
- d) Ducted fans must always be vented to the outdoors.

**WARNING** - TO REDUCE THE RISK OF FIRE, USE ONLY METAL DUCTWORK.



## **! WARNING**

**Electrical Shock Hazard** - Can result in serious injury or death.  
Disconnect appliance from electric power before servicing.  
If equipped, the fluorescent light bulb contains small amounts of mercury which must be recycled or disposed of according to Local, State, and Federal Codes.

# Installation

**FOR RESIDENTIAL USE ONLY**  
**NOT TO BE INSTALLED OVER GAS GRILLS**  
**PLEASE READ ENTIRE INSTRUCTIONS BEFORE PROCEEDING.**  
**INSTALLATION MUST COMPLY WITH ALL LOCAL CODES.**

**IMPORTANT:** Save these Instructions for the Local Electrical Inspector's use.

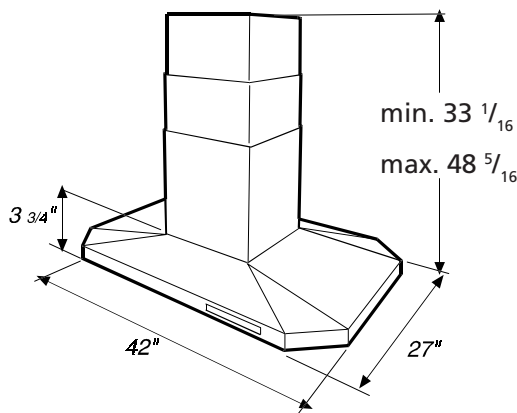
**INSTALLER:** Please leave these Instructions with this unit for the owner.

**OWNER:** Please retain these instructions for future reference.

**Safety Warning:** Turn off power circuit at the service entrance and lock out panel, before wiring this appliance.

Requirement: 120 V AC, 60 Hz. 15 or 20 A

## Dimensions - Table 1



Weight: 86 pounds

Diameter of Transition 8"

Diameter of exhaust Duct required 8"

Note: All dimensions are shown in inches.

\* Dimensions are given from base of hood to ceiling, and include clearance required for installation.

Figure 1\*

### Considerations before installing Hood

1. For the most efficient air flow exhaust, use a straight run or as few elbows as possible.  
**CAUTION:** Vent unit to outside of building, only.
2. If allowed in your area, use metallic flex ducting only to connect rigid duct directly to transitions.
3. COLD WEATHER installations should have an additional backdraft damper installed to minimize backward cold air flow and a nonmetallic thermal break to minimize conduction of outside temperatures as part of the ductwork. The damper should be on the cold air side of the thermal break. The break should be as close as possible to where the ducting enters the heated portion of the house.
4. Hood installation height above cooktop is the users preference P (see Figure 2). The lower the hood above the cooktop, the more efficient the capturing of cooking odors, grease and smoke. Be sure that your hood model fits your installation.

# Installation

## Tools required for installation

- Screw driver (pozidrive n°2 , torx 10 and 20)
- Allen spanner 4mm
- Shifting spanner 10mm
- pipe wrench  $\frac{3}{8}$
- Electric drill with twist bit  $\varnothing$  10 mm

- K = Kitchen Height
- C = Counter Height (36" standard)
- P = Preferred Height of Hood  
Bottom above counter  
(recommended 30"-36")
- A = Canopy Height
- H = Hood height your installation
- $H = K - C - P$
- S = Chimney Structure Height,  
your installation.
- $S = H - A$

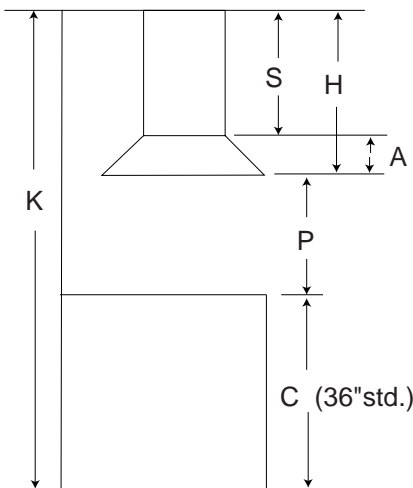


Figure 2

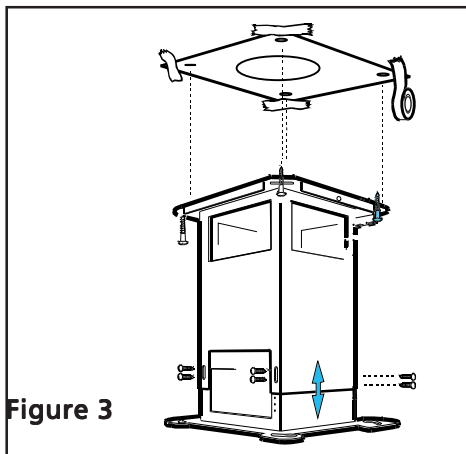


Figure 3

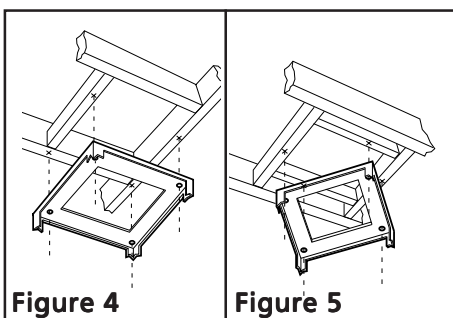


Figure 4

Figure 5

## Pre-Installations Calculations (see Figure 2)

1. a) Select a hood preference height P (see Figure 2) that is comfortable for the user. (30" - 36" recommended, 24" - 36" allowed).
- b) Calculate Hood height your installation H (see Figure 2).  $H = K - C - P$ .
- c) Confirm that H is within the range of min to max H found for your hood. If not adjust your installation.
- d) Calculate Chimney structure height S (use formulas in Figure 2, and check dimensions of your hood). Save this calculation for use later in the installation.

## Preparation of Mounting Surface - Installing supports above ceiling drywall.

Note: Take into consideration the hood depth; your hood could be much deeper than the cooktop.

2. Mark center lines of cooktop or range on ceiling above. Use centerlines marked on ceiling to position the mounting template. Note location of hood front, side, and mounting holes indicated on template.
3. Remove and save template. Cut and remove ceiling drywall. Install suitable length 2" x 4" lumber between joists to provide chimney mounting points as shown in Fig. C and D. Use template for dimensions and required clearance.  
Make sure to affix the added lumber firmly and level. Consult a professional if you have difficulties or your installation is unique. Consult template and Figures 3, 4, 5.  
**Note the weight of the appliance.** (see Table1).
4. Install exhaust duct (see Table 1 for size). Female end shall be 4-1/2" below finished ceiling and securely fastened to joists. Do not use duct smaller than the transition.
5. Install 1/2" electrical conduit in location marked on template and extend length S from ceiling.
6. Install drywall around duct and conduit; then refinish ceiling.

# Installation

## Appliance Installation

(Note: two people may be required for proper installation of model FIJI).

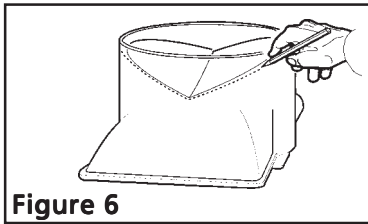


Figure 6

8. Install transition to top of hood (if removed for shipping). Snap damper into transition, foam tape up, with firm pressure at either end. Mark onto exterior of transition the 'V' location of the damper within. See Figure 6.

**Note: Duct screws can ONLY go below this line.**

9. Adjust chimney mounting structure to **S** dimension as determined in Step 1, page 5. Use 2 screws per attachment leg. Do not fasten to ceiling now.

10. Set chimney mounting structure on top of hood canopy. Attach nuts loosely. See Figure 8 and 9.

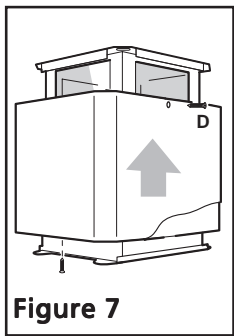


Figure 7

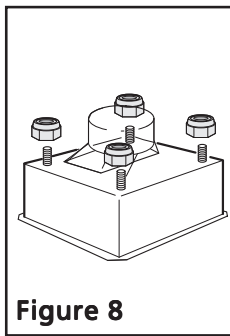


Figure 8

11. Fit duct piece on transition so that top end is 5-1/2" below top of chimney structure, male end up.

12. Remove chimney structure from hood canopy.

13. **Install Ducting.** Fasten duct to transition with screws and tape per code. Loosely fasten starter collar (included) flush to top of duct. Note: screws must not hamper the damper (see 8. above for screw location). Loosely fasten starter collar (included) flush to bottom of duct.

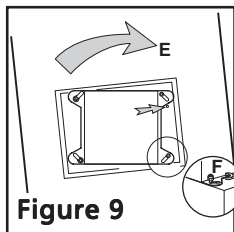


Figure 9

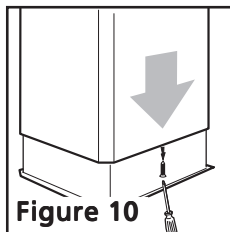


Figure 10

14. **To install Chimney Structure** to ceiling, use a 10mm or adjustable wrench or flat head screwdriver. Drill pilot holes into ceiling. Attach mounting structure to joists with the 4 lag screws provided. (Keep 1/2" conduit inside structure.) See Figure 3.

15. **Remove Chimney Cover's plastic protective film.** Reassemble and fasten all 3 covers together with one vertical screw. See Figure 7. Slide over chimney structure and secure with 2 screws near ceiling.

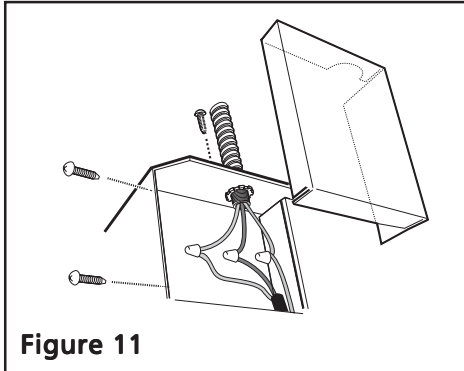
16. **To fasten the canopy** use a 10mm or adjustable wrench. Affix nuts to top of canopy.

**Do not tighten.** Raise canopy up to chimney structure and twist in place. See Figure 9. Tighten nuts securely.

17. **Ducting for all units:** There should be no more than 1" gap between canopy ducting and house ducting. Adjust starting collar over both ducts. Tighten collar. Fasten duct with screws and tape per code. Make final angular adjustment to unit at ceiling if necessary, then securely tighten 4 ceiling lag screws if not already tightened.

# Installation

## Wiring to Power Supply



### **WARNING!**

#### **ELECTRICAL GROUNDING INSTRUCTIONS**

THIS APPLIANCE IS FITTED WITH AN ELECTRICAL JUNCTION BOX WITH 3 WIRES, ONE OF WHICH (GREEN/YELLOW) SERVES TO GROUND THE APPLIANCE. TO PROTECT YOU AGAINST ELECTRIC SHOCK, THE GREEN AND YELLOW WIRE MUST BE CONNECTED TO THE GROUNDING WIRE IN YOUR HOME ELECTRICAL SYSTEM, AND IT MUST UNDER NO CIRCUMSTANCES BE CUT OR REMOVED.

Warning: Turn off power circuit at the service panel before wiring this unit. 120 VAC, 15 or 20 Amp circuit required.

18. Remove j-box cover as shown in Figure 11.
19. Remove the knockout and install the strain relief (conduit) connector (1/2") in junction box.
20. Run 3 wires; black, white and green (#16 AWG) in 1/2" conduit from service panel to junction box.
21. Connect black wire from service panel to black or red in junction box, white to white and green to green-yellow. See Figure 11.
22. Close junction box cover, check all light bulbs to make sure they are secure in their sockets, then turn power on in service panel and check lights and blower operation per Care & Use section of this manual and install filters.

#### FINAL ASSEMBLY

23. **For final Chimney Cover installation, DO NOT USE ELECTRIC SCREW DRIVER.**

Raise chimney covers and fasten in place with 2 screws if not already fastened. Figure 7. Remove one vertical screw holding covers together. See Figure 10.

Gently slide the outer and middle covers down and set on canopy. Raise the middle cover, align holes with lower cover and insert pin or wire to temporarily hold up. Fasten covers together using 2 screws through holes to permanently hold up.

**NOTE: Do not overtighten and deform metal.**

24. Make sure to leave this manual for the home owner.

## Use and Care Control Pad Functions

READ THE INSTRUCTIONS CAREFULLY BEFORE USING THE HOOD.  
For satisfactory use of your hood, become familiar with the various functions of the hood as described below

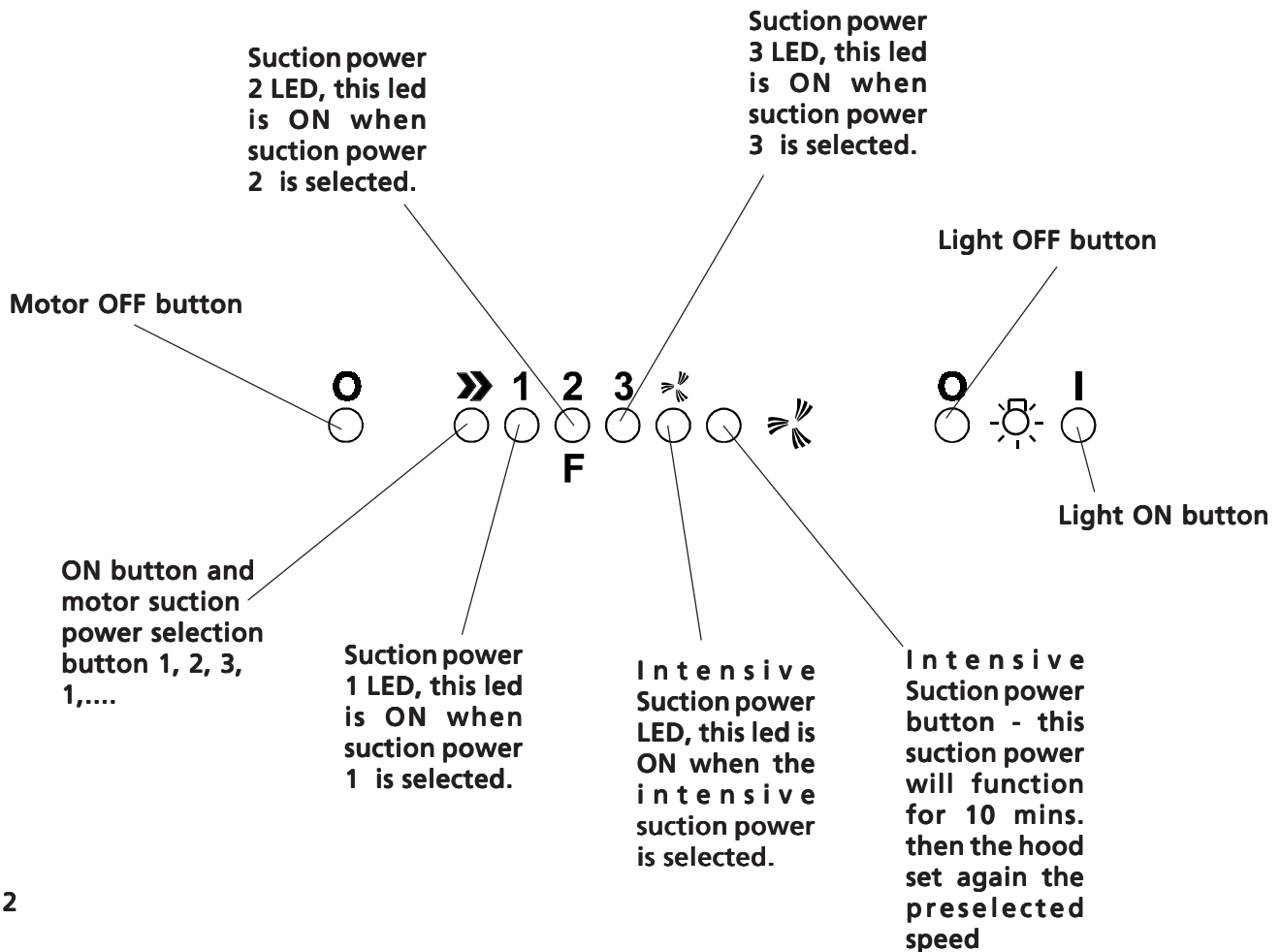


Figure 12

### Grease Filter Saturation LED

The **Suction power 2 LED** in Figure 12 is marked with an F. This LED will flash to remind you when the grease filter needs to be cleaned after 40 hours use. Follow the instructions for cleaning filters in this booklet. Once the grease filters have been cleaned, reset the reminder by pressing **Motor OFF button** for about 3 seconds until you hear the signal (beep).

### Operating Instructions

The blower should be turned on for about 5 minutes **before** cooking in order to establish air currents upward through the hood.

Use the low speeds for normal use and the higher speeds for strong odors or fumes.

Minimize cross drafts which will reduce the effectiveness of the hood.



## Hood Cleaning

Be sure lights are cool before cleaning the hood.

### To Clean Filters

- The metal grease filters will last forever. They are made of anodized aluminum
- It is recommended that the filters be washed at least once a month; they can be washed by hand or in the dishwasher.
- Drain water through edge holes and let each filter dry thoroughly before replacing it.

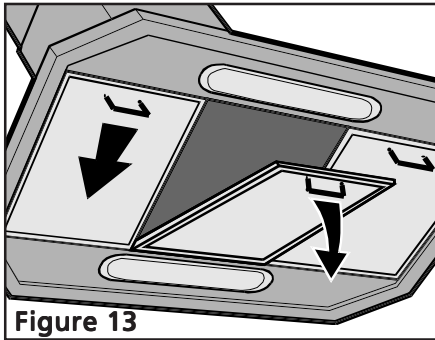


Figure 13

### To Remove The Metal Grease Filters

- Turn blower and lights off.
- Push each handle towards the center and pull downwards Figure 13.

### To Replace The Metal Grease Filters

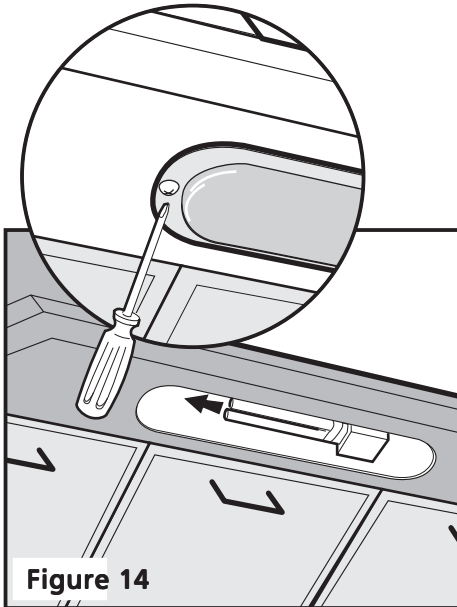
- Reverse procedure.

### To Clean Hood Surface

- For general care, wipe the outside of the stainless steel, white, black or glass hood with sudsy water or household cleaners such as Fantastic® or Formula 409®, rinse well and dry with clean soft cloth to avoid water marks.
- Wipe and dry brushed stainless steel in the same direction as the grain.
- Do not use abrasive products.
- To remove finger prints and give added shine use spray cleaners such as Stainless Steel Magic® and Shimmer®.

## Lights replacement

**NOTE: Turn blower and lights off. Make sure the lights are cool.** If new lights do not operate be sure lights are inserted correctly before calling service.

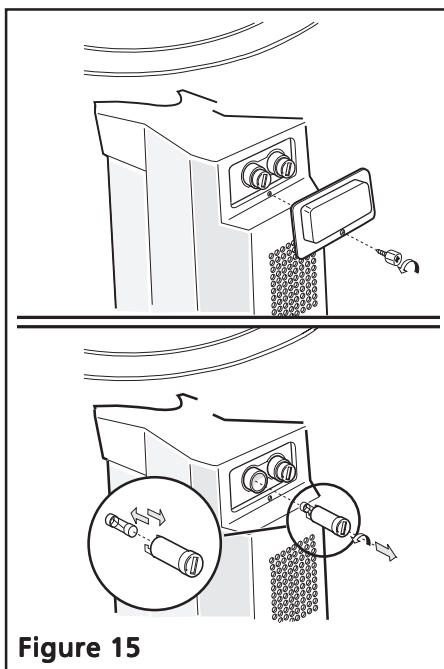


### Replace Lights (Figure 14)

- Remove lens cover by removing screw and pulling cover down.
- Pull out fluorescent tube and replace with Philips Type PL-S 9 Watt maximum.
- Replace cover and secure with screw.

**NOTE:** Disconnect the hood from the electricity before checking or replacing fuses.

- Fuses are located on the bottom of blower behind filters.
- Remove cover and check fuses. Figure 15.
- Replace with type 5 x 20mm, 3.15A **slow blow only**. (Examples are Radio Shack Cat # 270-1065 or Little Fuse T3.15A 218).





# RANGE HOOD WARRANTY

Your range hood is protected by this warranty

	WARRANTY PERIOD	THROUGH OUR AUTHORIZED SERVICERS, WE WILL:	THE CONSUMER WILL BE RESPONSIBLE FOR:
<b>FULL ONE-YEAR WARRANTY</b>	One year from original purchase date.	Pay all costs for repairing or replacing any parts of this appliance which prove to be defective in materials or workmanship.	Costs of service calls that are listed under <b>NORMAL RESPONSIBILITIES OF THE CONSUMER.*</b>
<b>LIMITED WARRANTY (Applicable to the State of Alaska)</b>	Time periods listed above.	All of the provisions of the full and limited warranties above and the exclusions listed below apply.	Costs of the technician's travel to the home and any costs for pick up and delivery of the appliance required because of service.

In the U.S.A., your appliance is warranted by Electrolux Home Products North America, a division of White Consolidated Industries, Inc. We authorize no person to change or add to any of our obligations under this warranty. Our obligations for service and parts under this warranty must be performed by us or an authorized Electrolux Home Products North America servicer. In Canada, your appliance is warranted by WCI Canada, Inc.

**\*NORMAL RESPONSIBILITIES OF THE CONSUMER**

**This warranty applies only to products in ordinary household use, and the consumer is responsible for the items listed below:**

1. Proper use of the appliance in accordance with instructions provided with the product.
2. Proper installation by an authorized servicer in accordance with instructions provided with the appliance and in accordance with all local plumbing, electrical and/or gas codes.
3. Proper connection to a grounded power supply of sufficient voltage, replacement of blown fuses, repair of loose connections or defects in house wiring.
4. Expenses for making the appliance accessible for servicing, such as removal of trim, cupboards, shelves, etc., which are not a part of the appliance when it was shipped from the factory.
5. Damages to finish after installation.
6. Replacement of light bulbs and/or fluorescent tubes (on models with these features).

**EXCLUSIONS**

**This warranty does not cover the following:**

1. CONSEQUENTIAL OR INCIDENTAL DAMAGES SUCH AS PROPERTY DAMAGE AND INCIDENTAL EXPENSES RESULTING FROM ANY BREACH OF THIS WRITTEN OR ANY IMPLIED WARRANTY.  
**NOTE:** Some states do not allow the exclusion or limitation of incidental or consequential damages, so this limitation or exclusion may not apply to you.
2. Service calls which do not involve malfunction or defects in workmanship or material, or for appliances not in ordinary household use. The consumer shall pay for such service calls.
3. Damages caused by services performed by servicers other than Electrolux Home Products North America or its authorized servicers; use of parts other than genuine Electrolux Home Products parts; obtained from persons other than such servicers; or external causes such as abuse, misuse, inadequate power supply or acts of God.
4. Products with original serial numbers that have been removed or altered and cannot be readily determined.

**IF YOU NEED SERVICE**

Keep your bill of sale, delivery slip, or some other appropriate payment record. The date on the bill establishes the warranty period should service be required. If service is performed, it is in your best interest to obtain and keep all receipts. This written warranty gives you specific legal rights. You may also have other rights that vary from state to state. Service under this warranty must be obtained by contacting Electrolux Home Products:

This warranty only applies in the 50 states of the U.S.A., Puerto Rico, and Canada. Product features or specifications as described or illustrated are subject to change without notice. All warranties are made by Electrolux Home Products North America, a division of White Consolidated Industries, Inc. In Canada, your appliance is warranted by WCI Canada, Inc.

03-U-RH-02

**USA**

800•944•9044  
Electrolux Home Products North America  
P.O. Box 212378  
Augusta, GA 30917

**Canada**

866•213•9397 (English)  
866•294•9911 (French)  
Electrolux Home Products North America  
6150 McLaughlin Road  
Mississauga, Ontario, Canada  
L5R 4C2

# GARANTIE DE LA HOTTE DE CUISINE

La hotte de cuisine que vous avez achetée est couverte par la présente garantie

PERIODE DE GARANTIE	SERVICES OFFERTS À TRAVERS NOS CENTRES DE SERVICE APRÈS-VENTE AUTORISÉS:	RESPONSABILITÉ DE L'ACHETEUR :
GARANTIE TOTALE Une année à compter de la date d'achat initiale.	Couverture de tous les frais de réparation ou remplacement des pièces de l'appareil qui se révèlent défectueuses au niveau des matériaux ou de l'usage.	Paiement des frais indiqués dans le paragraphe "RESPONSABILITÉS NORMALES DE L'ACHETEUR".
GARANTIE LIMITEE (applicable pour l'Alaska) Périodes indiquées ci-dessus	Couverture des frais sur la base des clauses des garanties totales et limitées mentionnées ci-dessus et des exclusions de garantie indiquées ci-dessous.	Paiement des frais de déplacement et d'intervention du technicien au domicile de l'acheteur ainsi que les frais de retrait et de livraison de l'appareil pour le service après-vente.

L'appareil acheté aux États-Unis est couvert par la garantie Electrolux Home Products North America, une division de White Consolidated Industries, Inc. Les soussignés n'autorisent aucune modification ou adjonction aux obligations assumées en vertu de la présente garantie. L'accomplissement des obligations assumées pour le service après-vente et la fourniture de pièces de rechange en vertu de la présente garantie est exclusivement du ressort des soussignés ou d'un centre de service après-vente autorisé par Electrolux Home Products North America. Au Canada, l'appareil acheté est couvert par la garantie WCI Canada, Inc.

## \*RESPONSABILITÉ DE L'ACHETEUR

La présente garantie concerne uniquement les produits destinés à un emploi normal dans un contexte domestique et elle attribue à l'acheteur les responsabilités suivantes:

1. Emploi correct de l'appareil, conformément aux instructions fournies avec le produit.
2. Installation correcte effectuée par un centre de service après-vente autorisé, conformément aux instructions fournies avec l'appareil et en plein respect des règlements locaux en matière d'installations électriques, hydrauliques et/ou du gaz.
3. Connexion à une source d'alimentation avec mise à la terre ayant une tension appropriée, remplacement des fusibles grillés, réparation des connexions interrompues ou rectification des panes de l'installation électrique domestique.
4. Frais soutenus afin de garantir l'accès à l'appareil pour les interventions d'entretien ou de réparation, y compris le retrait de fournitures, meubles, armoires suspendues, etc. qui ne font pas partie de l'appareil au moment de la livraison de la part de l'usine de production.
5. Dommages aux finitions à la suite de l'installation.
6. Remplacement des lampes et/ou tubes fluorescents (sur les modèles équipés de ces éléments).

## EXCLUSIONS

- La présente garantie n'intervient pas dans les cas suivants:
1. DOMMAGES DÉCLARÉS OU INDIRECTS, PARMIL LESQUELS LES DOMMAGES À LA PROPRIÉTÉ, ET LES FRAIS INDIRECTS DÉRIVANT DE LA VIOLATION DE LA PRÉSENTE GARANTIE ÉCRITE OU DE TOUTE AUTRE GARANTIE IMPLICITE.
  2. Certains Pays n'autorisent pas l'exclusion ou la limitation des dommages déclarés ou indirects par rapport à la garantie. Pour ce motif, ladite exclusion ou limitation peut ne pas concerner l'appareil que vous avez acheté.
  3. Appels au service après-vente ne concernant pas le fonctionnement défectueux ou les défauts du matériau/ de l'usinage ou relatifs aux appareils non destinés à l'emploi normal dans le contexte domestique. L'acheteur est tenu de régler le paiement pour lesdits appels au service après-vente.
  4. Dommages consécutifs aux prestations des techniciens d'un service après-vente non appartenant à Electrolux Home Products North America ou à ses centres autorisés; emploi de pièces de rechange non originales obtenues dans des centres non appartenant à Electrolux Home Products; causes externes telles que: abus, emploi impropre, installation d'alimentation non appropriée ou causes de force majeure.
  5. Produits dont les numéros de série originaux ont été retirés ou altérés et ne pouvant pas être identifiés immédiatement.

## SI L'ON DEMANDE ASSISTANCE

Conservé la facture d'achat, le bulletin de livraison ou tout autre reçu attestant le paiement. La date reportée sur la facture établit les termes de la garantie pour la demande d'assistance. Il est dans vos intérêts d'obtenir et conserver tous les reçus, dans l'éventualité où une intervention du service après-vente devrait se révéler nécessaire. La présente garantie écrite vous confère des droits légaux spécifiques. Des droits ultérieurs pourront vous être conférés sur la base de la législation en vigueur dans les différents Pays, pour la demande d'assistance en garantie, s'adresser à Electrolux Home Products.

La présente garantie est valable uniquement dans les 50 Pays qui constituent les États-Unis d'Amérique, au Porto Rico et au Canada. Les caractéristiques et les spécifications techniques décrites ou illustrées pour les produits sont peut-être sans préavis. Toutes les garanties offertes sont assurées par Electrolux Home Products North America, une division de White Consolidated Industries, Inc. In Canada, l'appareil bénéficie de la garantie de WCI Canada, Inc.

USA

800•944•9044

Electrolux Home Products North America

P.O. Box 212378

Augusta, GA 30917

Canada

866•213•9397 (Anglais)

866•294•9911 (Français)

Electrolux Home Products North America

6150 McLaughlin Road

Mississauga, Ontario, Canada

LSR 4C2

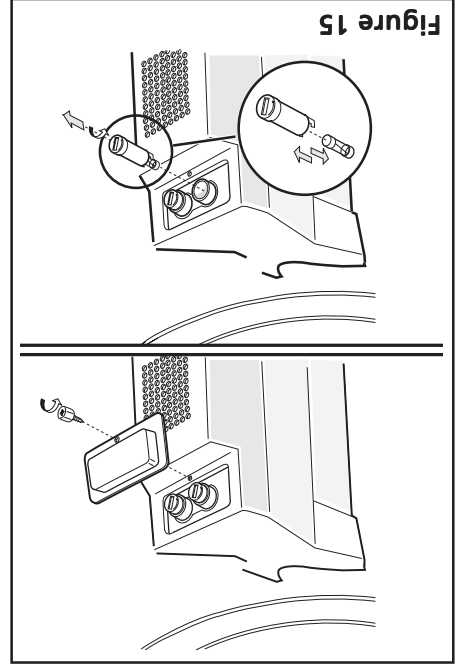
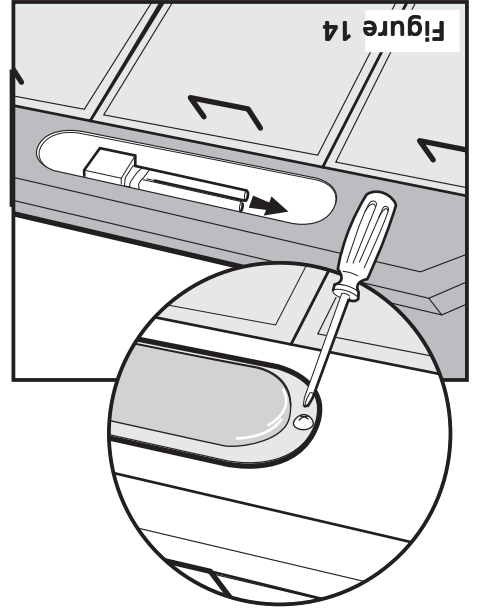
## Remplacement des lampes

**REMARQUE: Éteindre le rotor et les lampes. S'assurer que les lampes soient froides.** Si les lampes neuves ne fonctionnent pas, vérifier qu'elles soient insérées correctement avant de contacter le Service après-vente.

### Remplacement des lampes (Figure 14)

- Retirer le plafonnier après avoir sorti la vis spécialement prévue.
- Sortir le tube fluorescent puis remplacer ce dernier par un tube Philips PL-5 9 Watt (max).
- Remettre le plafonnier en place puis fixer ce dernier au moyen de la vis spécialement prévue.

**REMARQUE:** Débrancher la hotte du réseau d'alimentation électrique avant d'effectuer le contrôle ou le remplacement des fusibles.  
• Les fusibles sont placés sur le fond du rotor de ventilation, derrière les filtres.  
• Retirer le plafonnier et contrôler les fusibles (Figure 15).  
• Effectuer le remplacement uniquement en utilisant des fusibles à action lente de 5 x 20 mm, 3,15A (par exemple: Radio Shack Cat N° 270-1065 ou Little Fuse T3,15A 218).



## Nettoyage de la Hotte

S'assurer que les lampes se soient refroidies avant d'effectuer le nettoyage de la hotte.

### Nettoyage des filtres

- Les filtres métalliques anti-graisse sont réalisés en aluminium anodisé et leur durée de vie est illimitée.
- Nous recommandons de nettoyer les filtres au moins une fois par mois. Les filtres peuvent être lavés à la main ou au lave-vaisselle.
- Evacuer l'eau à travers les trous sur le bord puis laisser sécher totalement les filtres avant de les remonter.

### Retrait des filtres métalliques anti-graisse

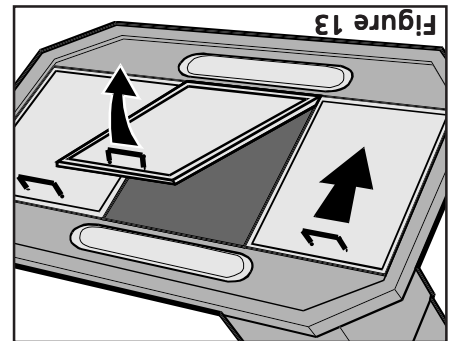
- Éteindre le rotor de ventilation et les lampes.
- Pousser chaque poignée au milieu et vers le bas (Figure 13).

### Remplacement des filtres métalliques anti-graisse

- Suivre la procédure à rebours.

### Nettoyage de la surface de la hotte

- Pour le nettoyage général des hottes blanches ou noires, en acier inox ou en verre, passer sur la surface externe un chiffon imbibé d'eau savonneuse ou de détergent pour emploi domestique (type Fantastick®, Formula 409®, etc.), puis rincer avec soin et sécher avec un chiffon souple et sec afin d'éliminer toute trace.
- Nettoyer puis sécher l'acier inox usiné, en suivant le sens de l'usinage.
- Ne pas utiliser des produits abrasifs.
- Pour éliminer les traces d'empreintes et intensifier l'éclat des surfaces, utiliser des sprays détergents, par exemple: Stainless Steel Magic® et Shimmer®.



# Emploi et Entretien

## Fonctions du panneau des commandes

LIRE ATTENTIVEMENT LES INSTRUCTIONS AVANT D'UTILISER LA HOTTE. Afin de pouvoir utiliser la hotte de façon satisfaisante il faut se familiariser avec toutes ses fonctions:

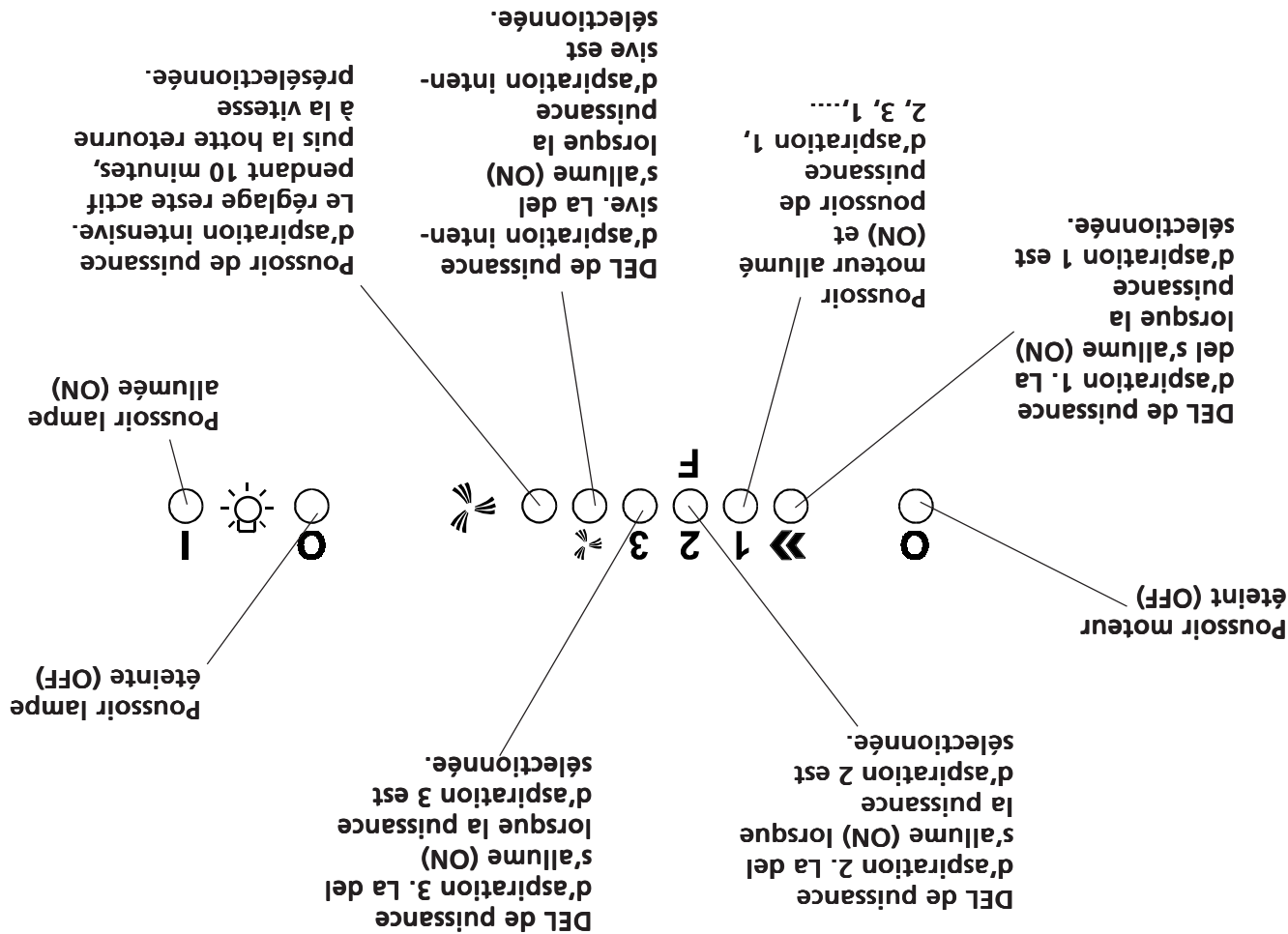


Figure 12

## DEL de saturation du filtre anti-graisse

La DEL de puissance d'aspiration 2 illustrée dans la figure 12 est marquée par la lettre F. La DEL clignote lorsqu'il est nécessaire de nettoyer le filtre anti-graisse (après 40 heures d'emploi). Pour le nettoyage des filtres, suivre les instructions fournies dans le présent manuel. Après avoir nettoyé les filtres anti-graisse, effectuer une remise à l'état initial du dispositif de signalisation en maintenant appuyé le **poussoir d'extinction moteur (OFF)** pendant 3 secondes environ, jusqu'à ce que le signal (bip) soit activé.

## Instructions relatives au fonctionnement

Nous conseillons d'allumer le rotor de ventilation environ 5 minutes avant de commencer la cuisson, afin d'activer le tirage des courants d'air à travers la hotte. Définir une vitesse réduite pour les conditions d'emploi normales et une vitesse plus élevée en cas de fumée ou odeurs intenses. Réduire au maximum les courants de tirage transversaux susceptibles de réduire l'efficacité de la hotte.



**AVERTISSEMENTS!**  
LE PRÉSENT APPAREIL EST ÉQUIPÉ D'UNE BOÎTE DE CONNEXION ÉLECTRIQUE ÉQUIPÉE DE 3 FILS, DONT UN (VERT/JAUNE) EST DESTINÉ À LA CONNEXION DE TERRE DE L'APPAREIL.  
POUR LA PROTECTION CONTRE LE RISQUE DE CHOC ÉLECTRIQUES, LE FIL VERT ET JAUNE DOIT ÊTRE CONNECTÉ AU FIL DE TERRE DE L'INSTALLATION ÉLECTRIQUE DOMESTIQUE ET IL NE DOIT PAS – POUR QUELQUE RAISON QUE CE SOIT – ÊTRE COUPÉ OU ENLEVÉ.

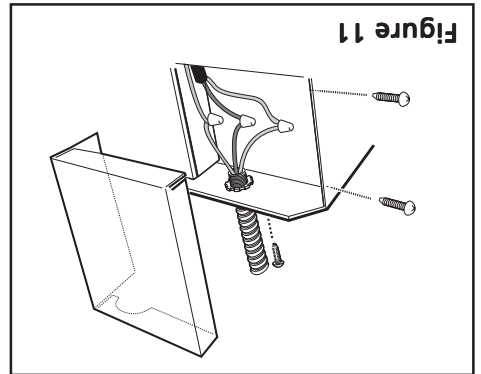


Figure 11

**18.** Retirer le couvercle de la boîte des connexions électriques, comme illustré dans la Figure 11.

**19.** Retirer la partie prédécoupée et installer le serre-câble du tube pour câbles électriques de 1/2" dans la boîte des connexions électriques.

**20.** Insérer les trois fils noir, blanc et vert (#16 AWG) dans le tube pour câbles électriques de 1/2" entre le panneau de commandes et la boîte des connexions électriques.

**21.** Connecter le fil noir du panneau de commandes au fil noir ou rouge de la boîte des connexions électriques, le fil blanc au fil blanc et le fil vert au fil vert/jaune (Figure 11).

**22.** Fermer le couvercle de la boîte des connexions électriques, contrôler toutes les lampes afin de vérifier qu'elles soient correctement fixées aux douilles correspondantes puis brancher l'alimentation depuis le panneau de commandes. Contrôler les lampes et le fonctionnement du rotor de ventilation, sur la base des indications fournies dans la section Emploi et Entretien du présent manuel, puis effectuer l'installation des filtres.

MONTAGE FINAL

**23. NE PAS UTILISER UN TOURNEVIS ÉLECTRIQUE** pour effectuer l'installation définitive de la couverture de la cheminée.

Soulever les couvertures de la cheminée et fixer celles-ci dans leur position au moyen de 2 vis; si cette opération n'a pas encore été effectuée (Figure 7). Retirer l'une des vis verticales qui font en sorte que les couvertures restent unies (Figure 10).  
Faire descendre lentement la couverture externe et la couverture centrale puis insérer la hotte. Soulever la couverture centrale, aligner les trous avec la couverture inférieure puis insérer un goujon ou un fil métallique en tant que fixation provisoire. Unir les deux couvertures au moyen de 2 vis, en tant que fixation provisoire.

**REMARQUE:** Ne pas serrer excessivement, afin d'éviter tout risque de déformer le métal.

**24.** Laisser le présent manuel à la disposition du propriétaire.

(Remarque: pour installer correctement le modèle F11, la présence de deux personnes pourrait se révéler nécessaire).

8. Installer le raccord sur la partie la plus haute de la hotte (si précédemment retiré pour le transport). Enclencher la soupape dans le raccord, appliquer le ruban en caoutchouc mousse puis exercer une forte pression sur les deux côtés. À l'extérieur du raccord marquer le point 'V' de la soupape qui se trouve à son intérieur (Figure 6).  
Remarque: Les vis de la conduite peuvent être appliquées UNIFORMEMENT au-dessous de cette ligne.

9. Adapter la structure de support en fonction de la cote 5 établie comme décrit au Point 1 à page 5. Utiliser 2 vis pour chaque support de fixation. Ne pas effectuer la fixation au plafond lors de cette phase.

10. Positionner la structure de support au sommet de la hotte. Fixer les écrous sans serrer (Figures 8 et 9).  
11. Insérer l'élément de la conduite sur le raccord, de façon à ce que l'extrémité supérieure se trouve sous la partie la plus haute de la structure de support de 5-1/2", et avec le côté mâle orienté vers le haut.  
12. Retirer la structure de support de la hotte.

13. Installer la conduite. Effectuer la fixation de la conduite avec le raccord au moyen des vis spécialement prévues puis appliquer le ruban comme prévu par le règlement. Fixer sans serrer le collier de connexion (compris) en le maintenant parfaitement aligné avec la partie la plus haute de la conduite. Remarque: les vis ne doivent pas entraver la soupape (pour la position des vis, voir au point 8. ci-dessus).  
Fixer sans serrer le collier de connexion (compris), en le maintenant parfaitement aligné avec le fond de la conduite.

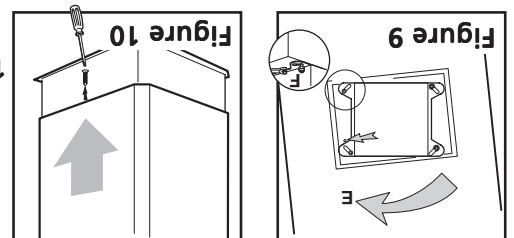
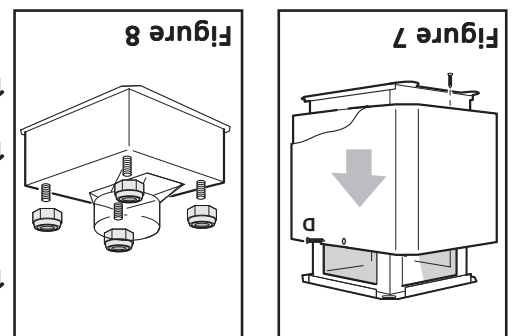
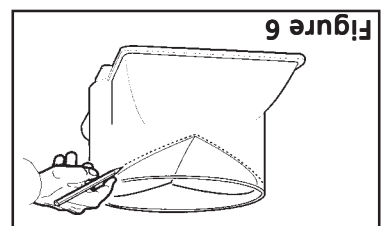
14. Pour installer la structure de support au plafond, utiliser une clé 10 mm. Percer plusieurs trous de guidage au plafond. Accrocher la structure de support aux soliveaux en utilisant les 4 vis d'ancrage fournies avec l'appareil. Maintenir le tube pour câbles électriques de 1/2" à l'intérieur de la structure (Figure 3).

15. Retirer le film en plastique de protection de la cheminée. Assembler à nouveau puis fixer les 3 couvercles avec une seule vis verticale (Figure 7). Enfiler la structure de support puis fixer près du plafond au moyen de 2 vis.

16. Pour fixer la hotte, utiliser une clé 10 mm, ou une clé réglable. Appliquer les écrous sur la partie la plus haute de la hotte.

Ne pas serrer. Soulever la hotte jusqu'à la structure de support puis faire tourner celle-ci pour la fixer dans la position correcte (Figure 9). Serrer les écrous à fond.

17. Conduites pour toutes les unités: il est préférable de ne pas laisser un espace libre supérieur à 1" entre la conduite de la hotte et celle de l'installation domestique. Adapter le collier de fixation pour le montage sur les deux conduites puis serrer ce dernier de façon appropriée. Fixer la conduite au moyen des vis puis appliquer le ruban comme prévu par le règlement. Si nécessaire, régler définitivement la position angulaire de l'unité au plafond, puis serrer avec force les 4 vis d'ancrage fixées au plafond, si cette opération n'a pas encore été effectuée.



# Installation

## Outils requis pour l'installation

Tournevis

(pozidrive n°2, torx 10 et 20)

Clé pour vis Allen 4 mm.

Clé universelle 10 mm.

Clé serre-tube  $\frac{3}{8}$

Perceuse électrique avec mèche

hélicoïdale Ø 10 mm.

## Opérations préliminaires à l'installation (Figure 2)

1. a) Choisir la hauteur souhaitée P de la hotte, de façon à ce qu'elle soit pratique pour l'utilisateur (voir Figure 2). Hauteur conseillée: 30" - 36"; hauteur autorisée: 24" - 36".
- b) Calculer la hauteur de la hotte H par rapport à l'installation (Figure 2).  $H = K - C - P$ .
- c) Veiller à ce que la hauteur H soit comprise dans l'intervalle des valeurs min./max. reportées sur la hotte. Dans le cas contraire, adapter l'installation en fonction des conditions requises.
- d) Calculer la hauteur de la structure de support S (en utilisant les formules reportées dans la Figure 2 et en vérifiant les dimensions de la hotte). Conserver les calculs pour une installation ultérieure.

## Préparation de la surface de montage – Installation des supports sur le plafond en placoâtre -

Remarque: Évaluer la profondeur de la hotte, qui pourrait se révéler nettement supérieure à celle du plan de cuisson.

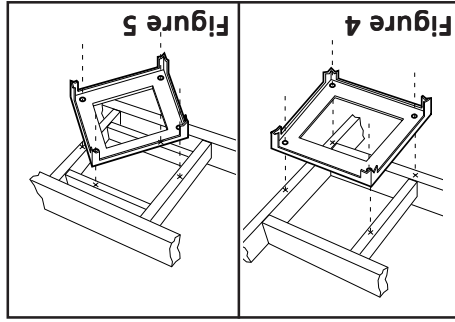
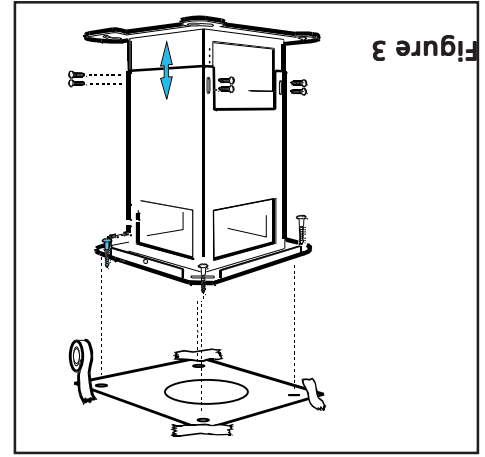
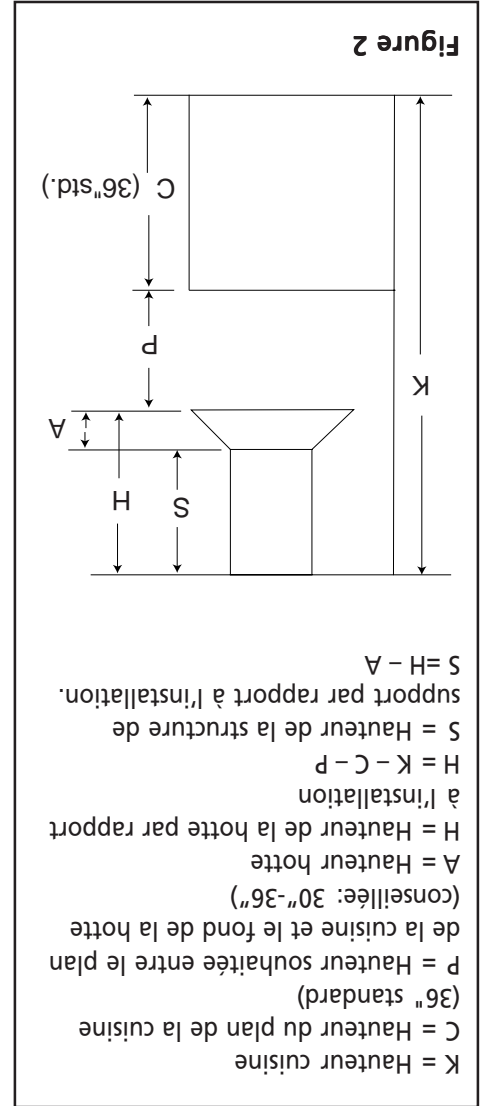
2. Marquer au plafond l'axe de la cuisine ou du plan de cuisson, en utilisant le gabarit de perçage. Prendre note des positions de la partie avant et du côté de la hotte, ainsi que des trous de montage reportés sur le gabarit de perçage.

3. Retirer et conserver le gabarit de perçage. Percer et retirer le placoâtre. Insérer entre les joints un élément en bois ayant une longueur appropriée (2" x 4") pour l'ancrage de la cheminée, comme illustré dans les Figures C et D. Utiliser le gabarit de perçage pour définir les dimensions et l'espace libre requis. S'assurer que l'élément en bois soit monté solidement et parfaitement à plat. En cas de difficultés ou d'exigences particulières, interpellier un technicien spécialisé. Utiliser en tant que référence le gabarit de perçage et les détails reportés dans les Figures 3, 4 et 5. Marquer le poids de l'appareil (Tableau 1).

4. Installer la conduite d'évacuation (voir Tableau 1 pour les dimensions). Le côté femelle doit se trouver à une distance de 4-1/2" par rapport au plafond fini et doit être solidement fixé aux soliveaux. Ne pas utiliser une conduite plus petite par rapport au raccord.

5. Installer un tube pour câbles électriques de 1/2" en correspondance du point marqué sur le gabarit de perçage et prolonger la longueur S qui part du plafond.

6. Monter le placoplatre autour de la conduite et du tube pour les câbles électriques, puis effectuer le finissage du plafond.



## Installation

UNIQUEMENT POUR EMPLOI RÉSIDENTIEL.

NE PAS INSTALLER SUR LES GRILLES AVEC CHAUFFAGE AU GAZ.

AVANT D'UTILISER L'APPAREIL, LIRE ATTENTIVEMENT LES PRÉSENTES INSTRUCTIONS.

L'INSTALLATION DOIT ÊTRE EFFECTUÉE CONFORMÉMENT AUX RÈGLEMENTS LOCAUX.

**IMPORTANT:** Conserver les présentes instructions pour l'emploi destinées à l'inspecteur de la société électrique.

**INSTALLATEUR:** Conserver avec l'appareil les présentes instructions pour l'emploi destinées au propriétaire.

**PROPRIÉTAIRE:** Conserver les présentes instructions pour toute éventuelle consultation à l'avenir.

Avertissements concernant la sécurité: Avant d'effectuer le branchement de l'appareil, couper le circuit

d'alimentation et bloquer le panneau de commandes.

Alimentation requise: 120 V C.A., 60 Hz, 15 ou 20 A

## Dimensions

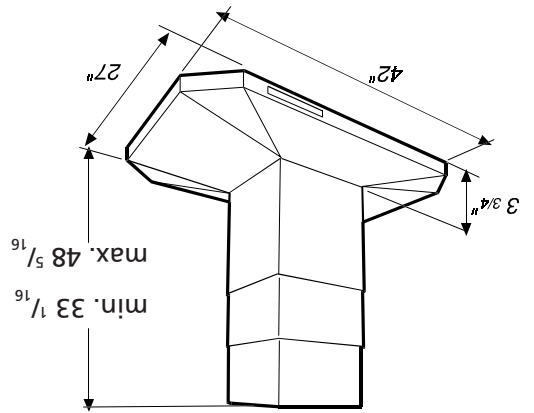


Figure 1\*

Remarque: Toutes les dimensions sont exprimées en

pouces.

\* Les dimensions sont calculées en partant de la base de la hotte jusqu'au plafond et elles comprennent l'espace libre requis pour l'installation.

## Avant d'effectuer l'installation de la hotte

1. Afin d'obtenir une efficacité maximum d'évacuation de l'air, utiliser une conduite linéaire ou réduire au maximum le nombre des coudes présents.

**ATTENTION:** Evacuer l'air de l'unité exclusivement à l'extérieur de l'édifice.

2. Utiliser des canalisations flexibles en métal, si autorisées dans votre région, uniquement pour connecter la conduite rigide directement aux dispositifs

de raccordement.

3. Les équipements installés dans des régions au CLIMAT FROID doivent avoir

un clapet de retenue des fumées pour réduire au maximum l'écoulement

de l'air froid de retour, outre à une protection thermique non métallique

pour minimiser l'influence de la température externe à travers le réseau

des canalisations. Il est opportun d'installer le clapet sur le côté de l'air

froid de la protection thermique et de placer la protection le plus près

possible du point d'entrée des canalisations dans la partie réchauffée de

l'édifice.

4. La hauteur pour l'installation de la hotte sur le plan de la cuisine doit être

établie en fonction des exigences de l'utilisateur (voir aussi dimensions P

à la figure 2). Plus la hotte sera placée en bas, par rapport à la cuisine, plus

l'aspiration des vapeurs et des odeurs de cuisson, de la graisse et de la

fumée sera efficace. Veiller à ce que le modèle de la hotte choisie soit

## Informations importantes relatives à la sécurité (suite)

**AVERTISSEMENT** – POUR RÉDUIRE LES RISQUES D'INCENDIES, CHOC ÉLECTRIQUES OU ACCIDENTS, SUIVRE LES INDICATIONS SUIVANTES:

- Confier l'installation et l'adaptation des connexions électriques à un personnel qualifié qui opère conformément aux normes et aux dispositions établies, y compris aux normes de construction anti-incendie.
- Dans les installations alimentées avec du combustible, il faut qu'il y ait une quantité d'air suffisante, afin de garantir une combustion appropriée et une correcte évacuation des gaz à travers le carneau montant (cheminée), de façon à éviter le retour des fumées. Suivre les directives fournies par le constructeur de l'appareil de chauffage ainsi que les normes de sécurité émises par des associations telles que la «National Fire Protection Association (NFPA)», la «American Society for Heating», la «Refrigeration and Air Conditioning Engineers (ASHRAE)», et les autorités locales compétentes.
- Lors du percement de parois ou de plafonds, effectuer les opérations nécessaires avec précaution, afin de ne pas endommager les connexions électriques et les autres branchements des services généraux non visibles.
- Les rotors de ventilation carénés doivent toujours être équipés d'un système d'évacuation à l'extérieur.

**AVERTISSEMENT** - POUR RÉDUIRE LES RISQUES D'INCENDIES, UTILISER UNIQUEMENT DES CONDUITES MÉTALLIQUES.



### **⚠ Avertissement**

**Risque de choc électrique.** Peut occasionner des blessures sérieuses ou la mort. Débranchez l'appareil de la source d'alimentation avant de procéder au service d'entretien. Si l'appareil est muni d'une lampe fluorescente, celle-ci contient des petites quantités de mercure qui doivent être recyclées ou mises aux rebuts conformément aux règlements municipaux ainsi qu'aux lois provinciales et fédérales.

# Informations importantes relatives à la sécurité

## LIRE ET CONSERVER LES PRÉSENTES INSTRUCTIONS

Faire extrêmement attention lors de l'emploi

de substances nettoyantes ou détergentes.

Aptitude à l'emploi dans l'environnement domestique/cuisine

**ATTENTION** – Afin de réduire le risque d'incendies et de garantir une évacuation de l'air appropriée il faut prévoir une conduite pour l'évacuation de l'air à l'extérieur. Ne pas évacuer l'air dans des espaces délimités par des parois/plafonds, attiques, passages ou garages.

**ATTENTION** – Uniquement pour la ventilation générale. Ne pas utiliser l'appareil pour l'évacuation de matériaux et vapeurs dangereux ou explosifs.

**AVERTISSEMENT** – AFIN DE RÉDUIRE LE RISQUE D'INCENDIES, CHOCs ÉLECTRIQUES OU ACCIDENTS, RESPECTER LES PRÉSCRIPTIONS SUIVANTES:

- Utiliser l'appareil sur la base des instructions fournies par le constructeur. En cas de doutes ou pour toute explication ultérieure, s'adresser à la société constructrice.
- Avant d'effectuer le nettoyage ou l'entretien, couper l'alimentation du panneau de commandes puis bloquer le dispositif de déconnexion du courant électrique afin d'éviter tout risque d'actionnement involontaire. S'il devait se révéler impossible de bloquer le dispositif de déconnexion, appliquer un signal d'avertissement approprié (par exemple: un panneau), bien visible et en position stable, sur le panneau de commandes.

**AVERTISSEMENT** – POUR RÉDUIRE LES RISQUES D'INCENDIES PROVOQUÉS PAR LE RENVERSEMENT DE GRAISSE SUR LE PLAN DE LA CUISINE:

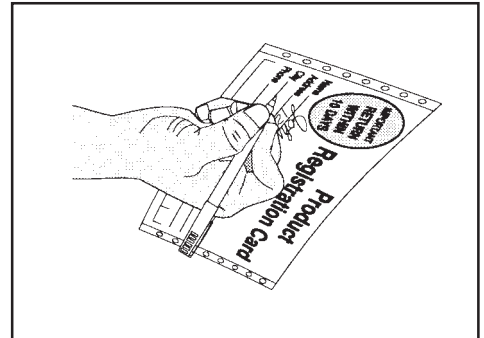
- Ne jamais laisser sans surveillance les appareils de cuisson réglés au maximum. La cuisson à puissance élevée est susceptible de générer des fumées et de provoquer le renversement de graisse pouvant s'enflammer. Réchauffer lentement et à faible puissance l'huile ou la graisse.
- Allumer toujours la hotte (position ON) pendant le réchauffement à température élevée ou la cuisson à la flamme.
- Nettoyer fréquemment les rotors de ventilation. Ne pas laisser que la graisse s'accumule sur le rotor de ventilation ou sur le filtre.
- Utiliser des poêles ou casseroles de dimensions appropriées. Choisir toujours des outils de cuisine appropriés en fonction des dimensions du plan.

**AVERTISSEMENT** – POUR RÉDUIRE LES RISQUES D'ACCIDENTS SUITE AUX INCENDIES PROVOQUÉS PAR LE RENVERSEMENT DE GRAISSE SUR LE PLAN DE LA CUISINE, SUIVRE LES INSTRUCTIONS SUIVANTES:

- Essayer d'ÉTOUFFER LES FLAMMES au moyen d'un couvercle de petites dimensions, un plateau métallique ou une feuille de papier d'aluminium, puis éteindre le brûleur. EFFECTUER LES OPÉRATIONS NÉCESSAIRES AVEC PRÉCAUTIONS, AFIN D'ÉVITER TOUT RISQUE DE BRÛLURES. Si les flammes ne s'éteignent pas immédiatement, ÉVACUER LES LOCAUX PUIS CONTACTER LES SAPEURS-POMPIERS.
  - NE JAMAIS SOULEVER UNE CASSEROLE EN FLAMMES: il y a le risque de se brûler.
  - NE PAS UTILISER DE L'EAU, des torchons ou serviettes mouillées: il existe le risque qu'une violente explosion de vapeur se produise.
- d. Utiliser un extincteur UNIQUEMENT à condition que:
- L'on soit sûr de pouvoir disposer d'un extincteur de Classe ABC, et l'on soit déjà en mesure de l'utiliser.
  - L'incendie soit réduit et limité à la zone dans laquelle il s'est développé.
  - L'on ait déjà contacté les sapeurs-pompiers.
  - L'on puisse utiliser l'extincteur en ayant les épaules tournées vers la sortie.

# Enregistrement de l'appareil

**Enregistrer l'appareil**  
La CARTE D'ENREGISTREMENT  
préalablement adressée doit être  
remplie en entier, signée et  
retournée à Frigidaire Canada.



Le présent guide de l'utilisateur décrit le mode d'emploi général de cette hotte ainsi que les caractéristiques de plusieurs autres modèles. Certaines des caractéristiques décrites peuvent donc ne pas s'appliquer à votre hotte.

**Remarque:** Les directives qui figurent dans ce guide de l'utilisateur ne sauraient couvrir toutes les circonstances et les situations possibles. Il faut donc faire preuve de jugement et de prudence pendant l'installation, l'utilisation et l'entretien de tout appareil électroménager.

**Merci d'avoir choisi cet appareil.** Les renseignements contenus dans ce guide de l'utilisateur expliquent comment utiliser et entretenir la hotte. Lire les documents qui accompagnent l'appareil pour en savoir davantage sur cette hotte.

## Noter le numéro de modèle et le numéro de série

Noter ci-dessous le numéro de modèle et le numéro de série inscrits sur la plaque signalétique située sur le côté droit du cadre avant, dans le tiroir de rangement.

Numéro de modèle: \_\_\_\_\_

Numéro de série: \_\_\_\_\_

Date d'achat: \_\_\_\_\_

# Hotte de cuisine

Table des matières	
Enregistrement de l'appareil .....	2
Informations importantes relatives à la sécurité .....	3
Installation .....	5-8
Emploi et entretien .....	9
Nettoyage de la hotte .....	9
Remplacement des lampes .....	10
Garantie .....	12

LISEZ ET CONSERVEZ CES INSTRUCTIONS

# GUIDE DE L'UTILISATEUR PLHV42P8KC



## Free Manuals Download Website

<http://myh66.com>

<http://usermanuals.us>

<http://www.somanuals.com>

<http://www.4manuals.cc>

<http://www.manual-lib.com>

<http://www.404manual.com>

<http://www.luxmanual.com>

<http://aubethermostatmanual.com>

Golf course search by state

<http://golfingnear.com>

Email search by domain

<http://emailbydomain.com>

Auto manuals search

<http://auto.somanuals.com>

TV manuals search

<http://tv.somanuals.com>