

# INSTRUCTIONS-PARTS LIST



308-501

Rev A  
Supersedes  
801-642 &  
801-643

This manual contains **IMPORTANT**  
**WARNINGS** and **INSTRUCTIONS READ**  
AND RETAIN FOR REFERENCE

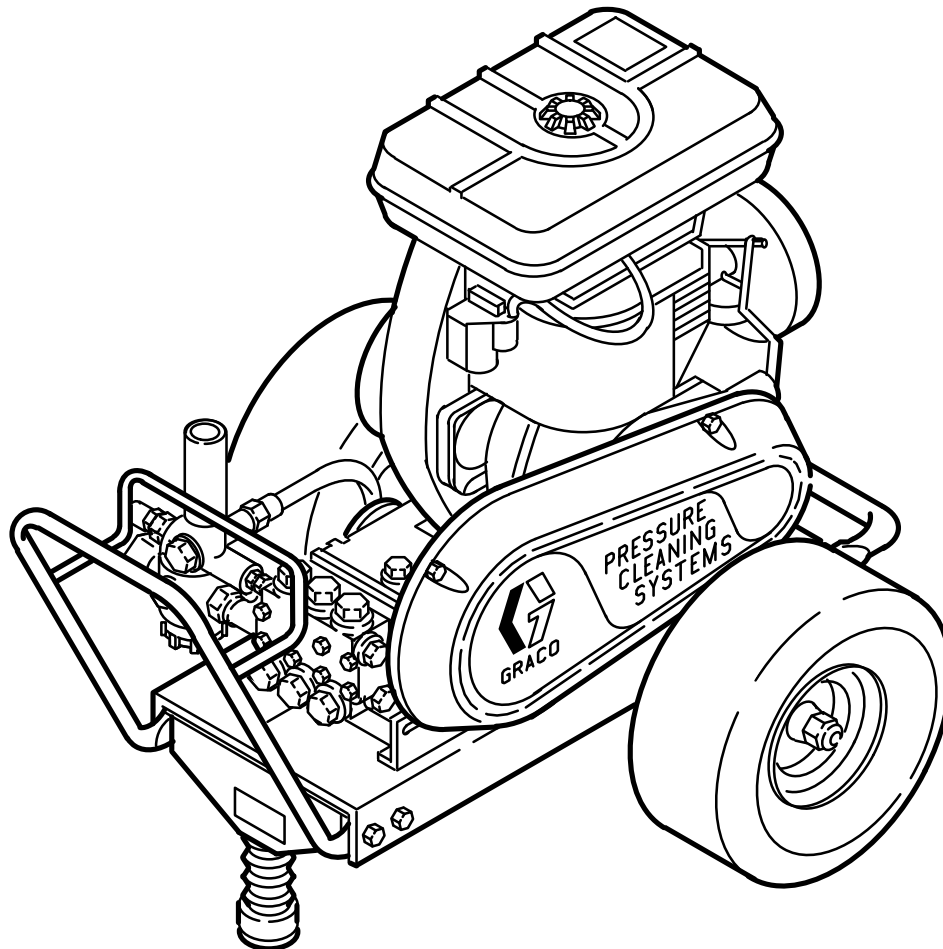
## HYDRA-CLEAN® 2245, 3035, 3040 Pressure Washer

P/N 800-062, Series B  
P/N 800-063, Series B

2200 psi (152 bar) OPERATING PRESSURE  
2600 psi (179 bar) MAXIMUM WORKING PRESSURE

P/N 800-065, Series C  
P/N 800-335, Series A

3000 psi (207 bar) OPERATING PRESSURE  
3400 psi (234 bar) MAXIMUM WORKING PRESSURE



GRACO INC. P.O. Box 1441 MINNEAPOLIS, MN 55440-1441

©COPYRIGHT 1989, GRACO INC.

# WARNING

**HIGH PRESSURE SPRAY CAN CAUSE SERIOUS INJURY.  
FOR PROFESSIONAL USE ONLY. OBSERVE ALL WARNINGS.**

**Read and understand all instruction manuals before operating equipment.**

## FLUID INJECTION HAZARD

### General Safety

This pressure washer generates very high fluid pressure. Spray from the gun, leaks or ruptured components can inject fluid through your skin and into your body and cause extremely serious bodily injury including the need for amputation. Also, fluid injected or splashed into the eyes or on the skin can cause serious damage.

*NEVER* point the spray gun or wand at anyone or at any part of the body. *NEVER* put hand or fingers over the spray tip.

*ALWAYS* follow the **Pressure Relief Procedure**, before cleaning or servicing any part of the sprayer.

*NEVER* try to stop or deflect leaks with your hand or body.

Be sure equipment safety devices are operating properly before each use.

### Medical Treatment

If any fluid appears to penetrate your skin, get **EMERGENCY MEDICAL TREATMENT AT ONCE. DO NOT TREAT AS A SIMPLE CUT.** Tell the doctor exactly what fluid was injected.

**NOTE TO PHYSICIAN:** *Injection in the skin is a traumatic injury. It is important to treat the injury surgically as soon as possible. Do not delay treatment to research toxicity. Toxicity is a concern with some exotic coatings injected directly into the bloodstream. Consultation with a plastic surgeon or reconstructive hand surgeon may be advisable.*

### Pressure Relief Procedure

To reduce the risk of serious bodily injury, including fluid injection and splashing in the eyes, or on the skin, always follow this procedure whenever you stop spraying for more than 10 minutes, when shutting down, and before checking or repairing any part of the system.

1. Engage the trigger safety latch.
2. Turn the sprayer off.
3. Remove the ignition cable from the spark plug.
4. Shut off the water supply.
5. Disengage the trigger safety latch and trigger the gun to relieve pressure, and then engage the trigger safety latch again.
6. Before long-term (overnight) storage or transporting of unit, disconnect the water supply, and turn off the fuel supply valve.

### Spray Gun Safety Devices

Be sure all gun safety devices are operating properly before each use. Do not remove or modify any part of the gun; this can cause a malfunction and result in serious bodily injury.

**SAFETY LATCH:** Whenever you stop spraying for a moment, always set the gun safety latch in the engaged or "safe" position, making the gun inoperative. Failure to properly set the safety latch can result in accidental triggering of the gun.

**SPRAY TIP SAFETY :** Use extreme caution when cleaning or changing spray tips. If a spray tip clogs while spraying, engage the gun safety latch immediately. *ALWAYS* follow the **Pressure Relief Procedure** and then remove the spray tip to clean it.

## EQUIPMENT MISUSE HAZARD

### General Safety

Any misuse of the pressure washer or accessories, such as overpressurizing, modifying parts, using incompatible chemicals and fluids, or using worn or damaged parts, can cause them to rupture and result in fluid injection, splashing in the eyes or on the skin, or other serious bodily injury, fire, explosion or property damage.

*NEVER* alter or modify any part of this equipment; doing so could cause it to malfunction.

*CHECK* all spray equipment regularly and repair or replace worn or damaged parts immediately.

*ALWAYS* wear protective eyewear and appropriate clothing. If using a chemical injector, read and follow the chemical manufacturer's literature for recommendations on additional protective equipment, such as a respirator.

## HOSE SAFETY

High pressure fluid in the hoses can be very dangerous. If the hose develops a leak, split or rupture due to any kind of wear, damage or misuse, the high pressure spray emitted from it can cause a fluid injection injury or other serious bodily injury or property damage.

**ALL FLUID HOSES MUST HAVE STRAIN RELIEFS ON BOTH ENDS.** The strain reliefs help protect the hose from kinks or bends at or close to the coupling, which can result in hose rupture.

*TIGHTEN* all fluid connections securely before each use. High pressure fluid can dislodge a loose coupling or allow high pressure spray to be emitted from the coupling.

## FUEL AND EMISSION HAZARDS

*NEVER* fill the fuel tank while the unit is running or hot. The fuel used in this unit is combustible and when spilled on a hot surface can ignite and cause a fire. *ALWAYS* fill tank slowly to avoid spilling.

*NEVER* operate the unit in a closed building. The exhaust contains carbon monoxide, a poisonous, odorless,

### System Pressure

This sprayer can develop high operating pressures. Be sure that all spray equipment and accessories are rated to withstand the maximum working pressure of this sprayer. *DO NOT* exceed the maximum working pressure of any component or accessory used in the system.

### Chemical Compatibility

*BE SURE* that all chemicals used in the chemical injector are compatible with the wetted parts of the hose, gun, wand and tip, as given in the Technical Data (inside back cover). Always read the chemical manufacturer's literature before using any chemical in this pressure washer.

*NEVER* use a damaged hose. Before each use, check entire hose for cuts, leaks, abrasion, bulging cover, or damage or movement of the hose couplings. If any of these conditions exist, replace the hose immediately. *DO NOT* try to recouple high pressure hose or mend it with tape or any other device. A repaired hose cannot contain the high pressure fluid.

**HANDLE AND ROUTE HOSES CAREFULLY.** Do not pull on hoses to move the pressure washer. Do not use chemicals which are not compatible with the inner tube and cover of the hose. *DO NOT* expose Graco hose to temperatures above 200° F (93° C) or below -40° F (-40° C).

invisible gas which can cause serious injury or death if inhaled.

*NEVER* alter the throttle setting, which is factory set. Tampering with this adjustment can damage the pressure washer and will void the warranty.

## MOVING PARTS HAZARD

Moving parts can pinch or amputate fingers or other body parts. *KEEP CLEAR* of moving parts when starting or operating the pressure washer.

*NEVER* operate the pressure washer without all guards and interlocks installed and functioning. Follow the

**Pressure Relief Procedure** before checking or servicing the pressure washer to prevent discharging high pressure fluid from the gun.

## TERMS

**WARNING:** Alerts user to avoid or correct conditions that could cause bodily injury.

**CAUTION:** Alerts user to avoid or correct conditions that could cause damage to or destruction of equipment.

**NOTE:** Identifies helpful procedures and information.

## IMPORTANT

United States Government safety standards have been adopted under the Occupational Safety and Health Act. These standards—particularly the General Standards, Part 1910, and the Construction Standards, Part 1926—should be consulted.

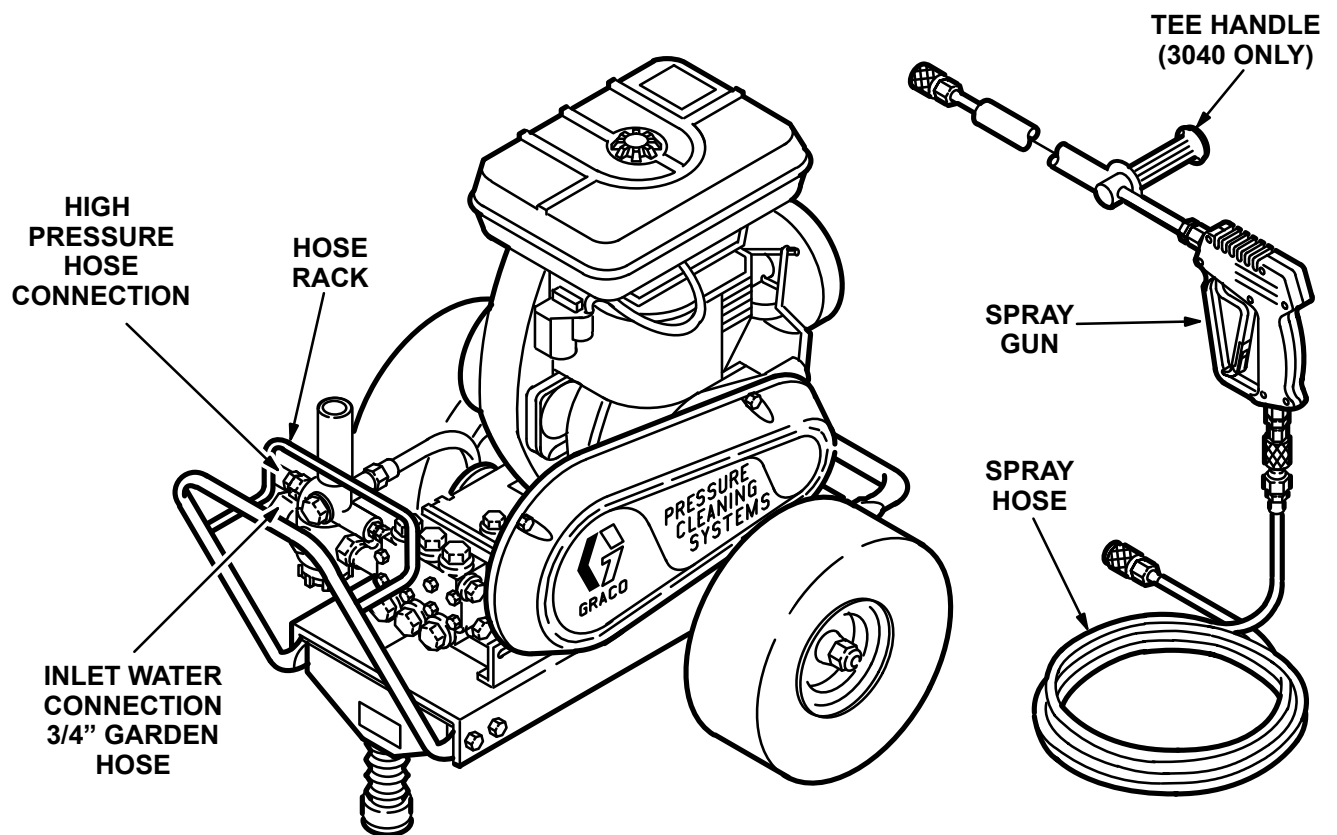


Figure 1

### Check for Shipping Damage

The unit should be checked for any damage that may have occurred in shipping. Any damage should be noted and the **carrier notified immediately**.

### Set Up

If you are using a downstream chemical injector, install it between the pump unloader and the high pressure hose, using the quick couplers provided.

Connect the high pressure hose between the pump outlet and the gun inlet. Both of these connections are made with quick couplers.

#### CAUTION

Up to 100 ft (30 m) of high pressure hose may be used. Longer hoses may affect sprayer performance, and chemical injector performance, if used.

Install the appropriate spray tip on the wand. See *Installing and Changing Spray Tips*. If you are using a sandblaster kit, see its separate manual for installation instructions.

### Connect to Water Supply

#### CAUTION

Before attaching to the water supply, check your local plumbing code regarding cross-connection to the water supply. A backflow preventer P/N 801-133 is available to prevent backflow of contaminated water into the fresh water supply. Install it upstream from the pump.

If inlet water pressure is over 60 psi (4.1 bar) a regulating water valve P/N 800-258 must be installed at the garden hose connection.

Do not exceed 160° F (70° C) inlet water temperature.

Connect a hose with at least a 3/4 inch (19 mm) ID from the water supply to the unit's 3/4 inch garden hose inlet. The supply hose should not be more than 50 ft (15 m) long.

**NOTE:** The water source at the unit *must* have a minimum flow rate equal to that of the unit (see Technical Data, inside back cover).

## STARTUP

Use this procedure whenever starting the pressure washer to help insure that the unit is ready to operate and starting is done safely.

1. Check oil levels.

Engine: Add SAE 30 or 10W–30 weight detergent oil as necessary.

Pump: Add SAE 20 or 30 weight non–detergent oil as necessary.

**NOTE:** Some units are equipped with a low–oil sensor that shuts the engine off if the oil level falls below a certain level. If the unit stops unexpectedly, check both the oil and the fuel levels. Check the oil level each time the unit is refueled.

2. Check fuel level.

### WARNING

*DO NOT* refuel a hot engine. Refueling a hot engine could cause a fire. Use only fresh, clean regular or unleaded gasoline. Close the fuel shutoff valve during refueling.

3. Turn on the water supply.

### CAUTION

Never run the unit dry. Costly damage to the pump will result. Always be sure the water supply is completely turned on before operating.

4. Trigger the gun until water sprays from the tip indicating that the air is purged from the system.
5. Open the fuel shutoff valve and be sure the spark plug ignition cable is pushed firmly onto the spark plug. On those units equipped with an ignition shutoff switch, the switch should be in the “on” position. Throttle should be in the “run” position.
6. Start the engine.

**NOTE:** For easier starting, have one person start the pressure washer while another person triggers the spray gun.

If the engine is cold, completely close the engine choke. Grasp the starter rope, brace one foot on the pressure washer chassis and pull rope rapidly and firmly. Continue holding the rope as it returns. Pull and return the rope until the engine starts. In cool weather, the choke may have to be kept closed for 10 to 30 seconds before opening it to keep the engine running. Otherwise, open the choke as soon as the engine starts.

If the engine is warm, leave the choke open, or just partly close it. Start the engine as described in the preceding paragraph. When it starts, be sure to open the choke completely.

### CAUTION

On recoil start engines, never let the starter rope return by itself. It could jam the recoil system.

7. *ALWAYS* engage the gun’s trigger safety latch whenever you stop spraying, even for a moment, to reduce the risk of fluid injection or splashing in the eyes or on the skin if the gun is bumped or triggered accidentally.
8. *ALWAYS* observe the following **CAUTIONS** to avoid costly damage to the pressure washer.

### CAUTION

*DO NOT* allow the pressure washer to idle for more than 10 minutes. Doing so may cause the recirculating water to overheat and seriously damage the pump. Turn off the pressure washer if it will not be spraying or cleaning at least every 10 minutes. If heated inlet water is used, reduce this time further.

*DO NOT* run the pump dry, which will quickly damage the pump. Be sure the water supply is fully turned on before starting the pump.

*DO NOT* operate the pressure washer with the inlet water screen removed. This screen helps keep abrasive sediment out of the pump, which could clog or scratch the pump. Keep this screen clean.

*DO NOT* pump caustic materials; such materials may corrode the pump components.

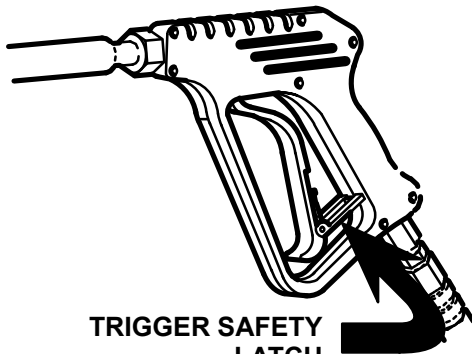
9. See the chemical injector or sandblaster kit manual for detailed cleaning information if these accessories are used.

## Trigger Safety Latch

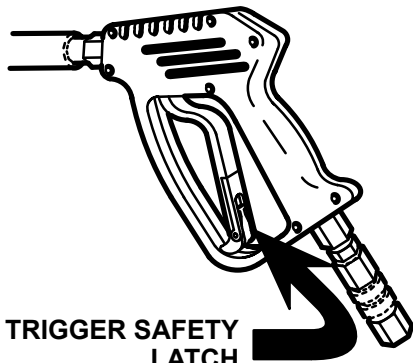
### WARNING

To reduce the risk of serious bodily injury , including fluid injection, splashing in the eyes or on the skin, **ALWAYS** engage the trigger safety latch whenever spraying stops, even for a moment.

In the engaged position, the trigger safety latch prevents the gun from being triggered accidentally by hand or if it is dropped or bumped. Be sure the latch is pushed fully down when engaging it or it cannot prevent the gun from being triggered. See Figure 2.



TRIGGER SAFETY  
LATCH  
SHOWN ENGAGED



TRIGGER SAFETY  
LATCH  
SHOWN DISENGAGED

Figure 2

## Installing and Changing Spray Tips

### WARNING

To reduce the risk of serious bodily injury , including fluid injection or splashing in the eyes or onto the skin, use extreme caution when changing spray tips. **ALWAYS** follow the procedure below.

1. Follow the **Pressure Relief Procedure**.
2. Point the gun and wand away from yourself and anyone else.
3. Without holding your hand over the spray tip (A), pull back the quick coupler ring (B). Remove the old tip and/or install a new one, and then release the ring. See Figure 3.
4. Be sure the tip is secure before starting to spray again.
5. Tip holding holes are provided on the chassis.

### CAUTION

To avoid blowing the o-ring out of the quick coupler, due to the high pressure in the system, never operate the pressure washer without a tip securely mounted in the quick coupler.

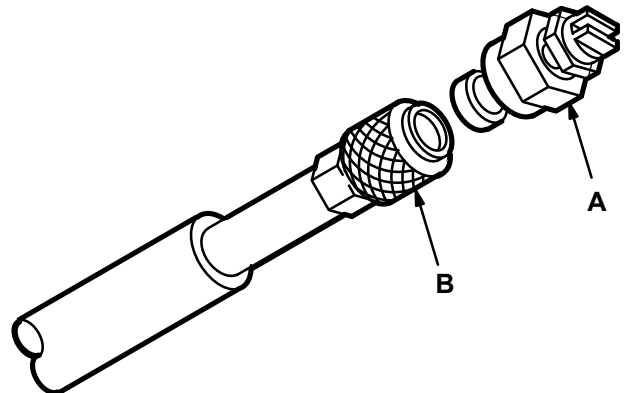


Figure 3

## SHUTDOWN, FLUSHING AND STORAGE

### WARNING

#### PRESSURE RELIEF PROCEDURE

To reduce the risk of serious bodily injury, including fluid injection and splashing in the eyes, or on the skin, always follow this procedure whenever you stop spraying for more than 10 minutes, when shutting down, and before checking or repairing any part of the system.

1. Engage the trigger safety latch.
2. Turn the sprayer off.
3. Remove the ignition cable from the spark plug.
4. Shut off the water supply.
5. Disengage the trigger safety latch and trigger the gun to relieve pressure, and then engage the trigger safety latch again.
6. Before long-term (overnight) storage or transporting of unit, disconnect the water supply, and turn off the fuel supply valve.

1. If the pressure washer will be exposed to freezing temperatures, drain all water out of the pump. If it must be stored in freezing temperatures, flush the unit with a 50% anti-freeze solution. Relieve pressure. Flush the pressure washer before using it again to remove the anti-freeze.

**NOTE:** An anti-freeze flush kit P/N 802-327 is available to make flushing easier.

### CAUTION

If water does freeze in the pressure washer, thaw it in a warm room before trying to start it. **DO NOT** pour hot water on or into the pump; it may crack the ceramic plungers!

2. After each use, wipe all surfaces of the pressure washer with a clean, damp cloth.
3. Perform the appropriate maintenance. See maintenance chart.

## MAINTENANCE

Observing regular maintenance intervals helps ensure that you get maximum performance and life from the pressure washer.

There is a break-in period for the engine, pump and gear reducer (if used). After changing the oil in these components following their respective break-in periods, the interval between required changes is longer.

If the unit is operating in dusty conditions, these maintenance checks should be made more often.

### WARNING

To reduce the risk of serious bodily injury, including fluid injection, splashing in the eyes or on the skin or injury from moving parts, always follow the **Pressure Relief Procedure Warning** before proceeding.

Interval	What to do
Daily	Clean water inlet screen and filter. Check engine and pump oil levels. Fill as necessary. Check gasoline level. Fill as necessary.
After first 5 hours of operation	Change engine break-in oil. Drain oil when warm. Use SAE 30 or 10W-30 detergent oil.
Each 25 hours of operation	Clean and remove air cleaner foam. Wash with water and detergent. Dry thoroughly. Rub with oil and squeeze to distribute oil.
After first 50 hours of operation	Change pump break-in oil. Use SAE 20 or 30 non-detergent oil.
Each 100 hours of operation or 3 months	Clean or replace paper air cleaner cartridge. Tap gently to remove dirt. Change engine oil. Use SAE 30 or 10W-30 detergent oil.
Each 500 hours of operation or 6 months	Change pump oil. Use SAE 20 or 30 non-detergent oil.



# TROUBLESHOOTING CHART

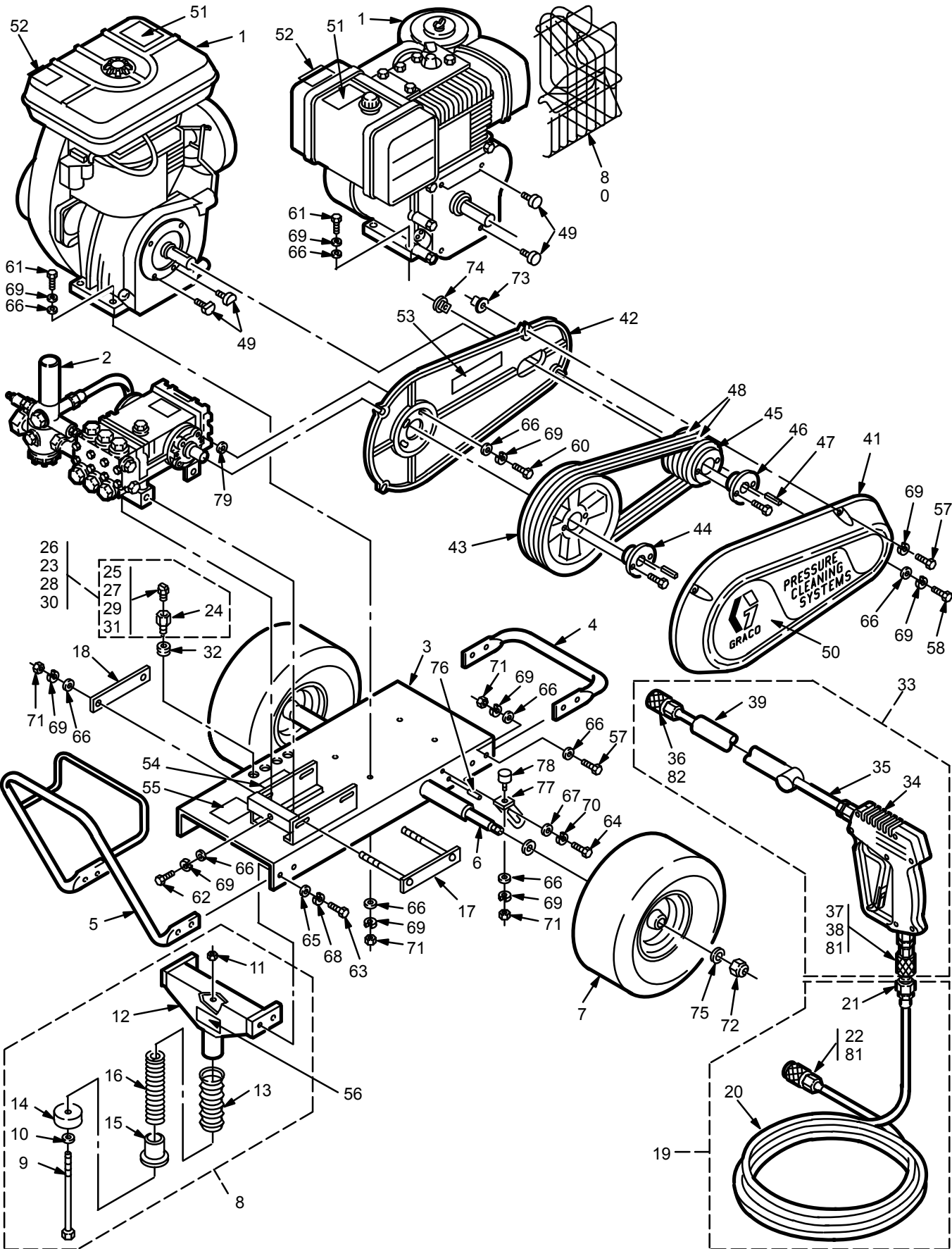
## WARNING

To reduce the risk of serious bodily injury, including fluid injection, splashing in the eyes or on the skin or injury from moving parts, always follow the **Pressure Relief Procedure Warning** before proceeding.

PROBLEM	CAUSE	SOLUTION
Engine will not start or is hard to start	No gasoline in fuel tank or carburetor. Low oil (on units with low oil sensor). Start/Stop switch in Stop position. Water in gasoline or old fuel. Choked improperly. Flooded engine. Dirty air cleaner filter. Spark plug dirty, wrong gap or wrong type. Spray gun closed.	Fill the tank with gasoline, open fuel shut off valve. Check fuel line and carburetor. Add to proper level. Move switch to start position. Drain fuel tank and carburetor. Use new fuel and dry spark plug. Open choke and crank engine several times to clear out gas. Remove and clean. Clean, adjust the gap or replace. Trigger spray gun.
Engine misses or lacks power	Partially plugged air cleaner filter. Spark plug dirty, wrong gap or wrong type.	Remove and clean. Clean, adjust the gap or replace.
Low pressure and/or pump runs rough	Worn or wrong size tip. Inlet filter clogged. Worn packings, abrasives in water or natural wear. Inadequate water supply. Belt slippage. Fouled or dirty inlet or discharge valves. Even a small particle can cause the valve to stick. Restricted inlet. Worn inlet or discharge valves. Leaking high pressure hose.	Replace with tip of proper size. Clean. Check more frequently. Check filter. Replace packings. See PUMP SERVICE. Check water flow rate to pump. Tighten or replace; use correct belts and replace both at same time. Clean inlet and discharge valve assemblies. Check filter. Check garden hose, may be collapsed or kinked. Replace worn valves. Replace high pressure hose.
Water leakage from under pump manifold	Worn packings.	Install new packings. See PUMP SERVICE.
Water in pump	Humid air condensing inside crankcase. Worn packings. Oil seals leaking.	Change oil as specified in MAINTENANCE. Install new packings. See PUMP SERVICE. Install new oil seals. See PUMP SERVICE.
Frequent or premature failure of the packings	Scored, damaged or worn plungers. Abrasive material in the fluid being pumped. Inlet water temperature too high. Overpressurizing pump. Excessive pressure due to partially plugged or damaged tip. Pump running too long without spraying. Running pump dry.	Install new plungers. See PUMP SERVICE. Install proper filtration on pump inlet plumbing. Check water temperature; may not exceed 160°F. Do not modify any factory-set adjustments. See EQUIPMENT MISUSE HAZARD. Clean or replace tip. See Installing and Changing Spray Tips. Never run pump more than 10 minutes without spraying. Do not run pump without water.
Strong surging at the inlet and low pressure on the discharge side	Foreign particles in the inlet or discharge valve or worn inlet and/or discharge valves.	Clean or replace valves. See PUMP SERVICE.

# PARTS DRAWING

## 800-062 & 800-063 Hydra-Clean® 2245 Pressure Washer



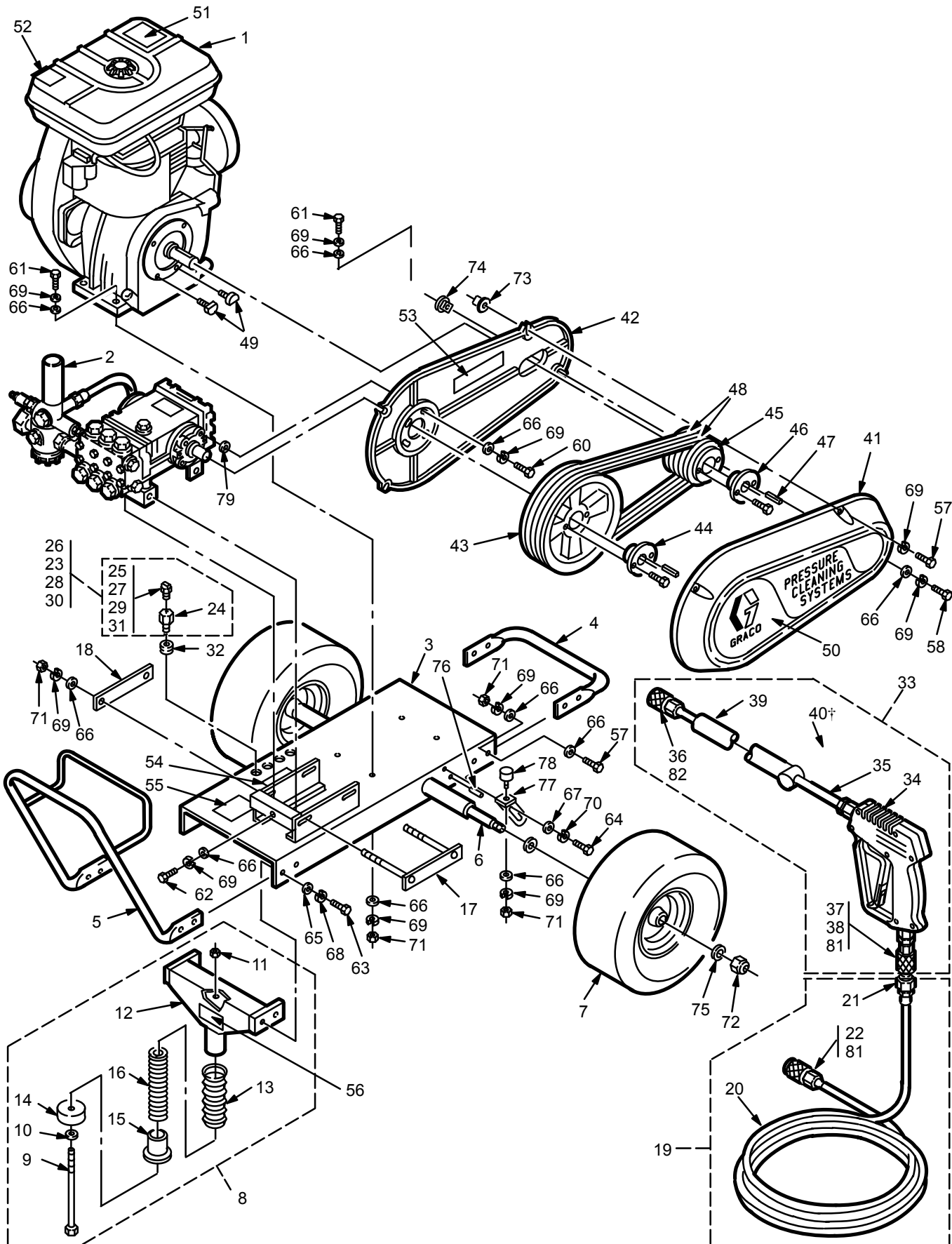
# PARTS LIST

## 800-062 & 800-063 Hydra-Clean® 2245 Pressure Washer

REF NO.	PART NO.	DESCRIPTION	QTY	REF NO.	PART NO.	DESCRIPTION	QTY
1	801-494	ENGINE, 11 HP, Briggs & Stratton I/C <i>(For 800-063 only)</i>	1	45	801-896	PULLEY, Engine	1
	801-283	ENGINE, 11 HP, Wisconsin Robin <i>(For 800-062 only)</i>	1	46	801-898	HUB, Engine <i>(For 800-063 only)</i>	1
2	800-326	PUMP ASSEMBLY, 2200 psi <i>(see page 18)</i>	1		801-376	HUB, Engine <i>(For 800-062 only)</i>	1
3	800-067	CHASSIS	1	47	801-137	KEY	1
4	801-539	BUMPER	1	48	801-285	BELT, Drive <i>(For 800-063 only)</i>	2
5	801-541	HANDLE	1		801-003	BELT, Drive <i>(For 800-062 only)</i>	2
6	801-556	AXLE	1	49	803-076	BUMPER, Rubber <i>(For 800-062 only)</i>	2
7	801-550	WHEEL & TIRE ASSEMBLY	2		801-731	BUMPER, Rubber <i>(For 800-063 only)</i>	2
8	800-160	FRONT LEG ASSEMBLY	1	50	801-543	LABEL, Graco	1
9	801-531	SCREW, Cap, hex hd 3/8-16 x 7	1	51	802-363	LABEL, Caution	1
10	801-015	WASHER, Flat	1	52	802-381	LABEL, Warning, ventilation	1
11	801-499	NUT, Lock 3/8-16	1	53	801-141	LABEL, Warning, belt guard	1
12	801-537	LEG, Front	1	54	801-129	LABEL, Warning, chassis	1
13	801-506	BOOT	1	55	801-130	LABEL, Warning, chassis	1
14	801-504	BUMPER, Rubber	1	56	801-724	LABEL, Model 2245	1
15	801-505	RETAINER, Spring	1	57	801-941	SCREW, Cap, hex hd 5/16-18 x 1	7
16	801-593	SPRING	1	58	801-940	SCREW, Cap, hex hd 5/16-18 x 3/4	1
17	801-521	BRACKET, Rail Stiffener	1	60	801-559	SCREW, Cap, hex hd M8 x 30	4
18	802-016	PLATE, Rail Stiffener	1	61	801-022	SCREW, Cap, hex hd 5/16-18 x 1-3/4	4
19	800-375	HOSE ASSEMBLY, w/couplers	1	62	803-298	SCREW, Cap, hex hd 5/16-18 x 3-1/2	1
20	801-571	HOSE, High Pressure 50'	1	63	801-546	SCREW, Cap, hex hd 3/8-16 x 1-1/4	4
21	801-568	COUPLER, Male 3/8	1	64	801-605	SCREW, Machine, hex hd #10-24 x 3/4	1
22	801-569	COUPLER, Female 3/8	1	65	801-015	WASHER, Flat 3/8	4
23	800-135	TIP ASSEMBLY, 0 Degree	1	66	801-023	WASHER, Flat 5/16	20
24	801-090	COUPLER, Male 1/4	1	67	801-606	WASHER, Flat #10	1
25	801-665	TIP, 0 Degree	1	68	801-363	WASHER, Lock 3/8	4
26	800-134	TIP ASSEMBLY, 15 Degree	1	69	801-025	WASHER, Lock 5/16	20
27	801-666	TIP, 15 Degree	1	70	801-875	WASHER, Lock #10	1
28	800-060	TIP ASSEMBLY, 25 Degree	1	71	801-024	NUT, Hex 5/16-18	7
29	801-552	TIP, 25 Degree	1	72	801-020	NUT, Lock 1/2-13	2
30	800-061	TIP ASSEMBLY, 40 Degree	1	73	801-922	NUT, Flange 5/16-18	3
31	801-553	TIP, 40 Degree	1	74	800-156	NUT, Flange 5/16-18	1
32	801-548	GROMMET, Rubber	5	75	801-612	WASHER, Flat 1/2	2
33	800-392	GUN & WAND ASSEMBLY	1	76	801-608	PIN, Roll 3/16 x 1/2	1
34	803-350	GUN, Spray	1	77	801-610	BRACKET, Bumper	1
35	801-134	WAND, 32"	1	78	801-367	BUMPER, Rubber	1
36	801-009	COUPLER, Female 1/4	1	79	801-676	SPACER, Pump	4
37	801-569	COUPLER, Female 3/8	1	80	803-246	GUARD, Muffler <i>(For 800-063 only)</i>	1
38	801-603	NIPPLE, Hex 3/8	1	81	802-521	O-RING, Female Coupler 3/8	1
39	801-674	SLEEVE, 28"	1	82	801-202	O-RING, Female Coupler 1/4	1
41	801-364	COVER, Belt Guard	1				
42	801-500	BASEPLATE, Belt Guard	1				
43	801-004	PULLEY, Pump	1				
44	801-135	HUB, Pump	1				

# PARTS DRAWING

## 800-065 Hydra-Clean® 3035 Pressure Washer



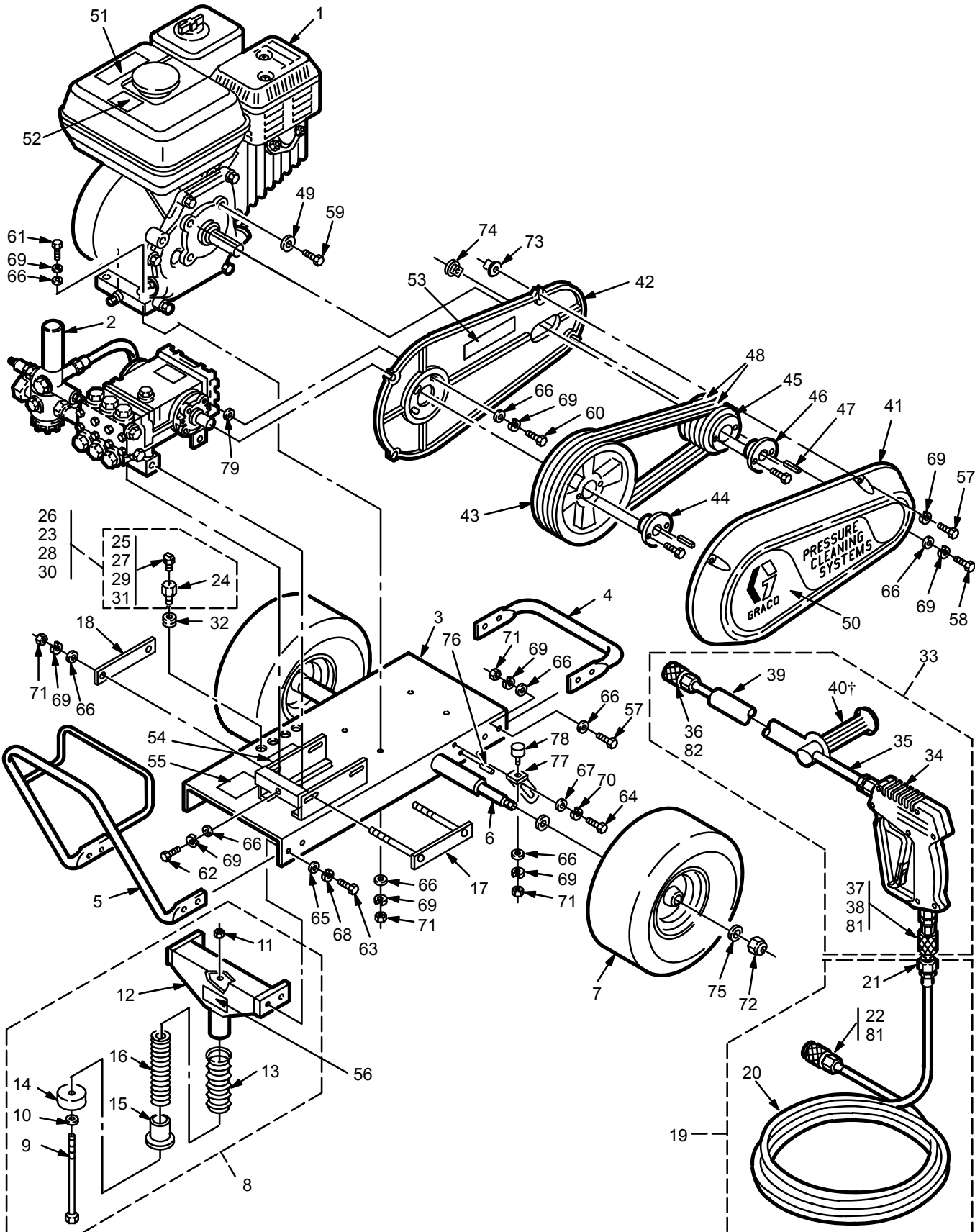
## PARTS LIST

### 800-065 Hydra-Clean® 3035 Pressure Washer

REF NO.	PART NO.	DESCRIPTION	QTY	REF NO.	PART NO.	DESCRIPTION	QTY
1	801-283	ENGINE, 11 HP, Wisconsin Robin	1	44	801-135	HUB, Pump	1
2	800-327	PUMP ASSEMBLY, 3000 psi (see page 14)	1	45	801-911	PULLEY, Engine	1
3	800-067	CHASSIS	1	46	801-376	HUB, Engine	1
4	801-539	BUMPER	1	47	801-137	KEY	1
5	801-541	HANDLE	1	48	801-003	BELT, Drive	2
6	801-556	AXLE	1	49	803-076	BUMPER, Rubber	2
7	801-550	WHEEL & TIRE ASSEMBLY	2	50	801-543	LABEL, Graco	1
8	800-160	FRONT LEG ASSEMBLY	1	51	802-363	LABEL, Caution	1
9	801-531	SCREW, Cap, hex hd 3/8-16 x 7	1	52	802-381	LABEL, Warning, ventilation	1
10	801-015	WASHER, Flat	1	53	801-141	LABEL, Warning, belt guard	1
11	801-499	NUT, Lock 3/8-16	1	54	801-129	LABEL, Warning, chassis	1
12	801-537	LEG, Front	1	55	801-130	LABEL, Warning, chassis	1
13	801-506	BOOT	1	56	801-927	LABEL, Model 3035	1
14	801-504	BUMPER, Rubber	1	57	801-941	SCREW, Cap, hex hd 5/16-18 x 1	7
15	801-505	RETAINER, Spring	1	58	801-940	SCREW, Cap, hex hd 5/16-18 x 3/4	1
16	801-593	SPRING	1	60	801-559	SCREW, Cap, hex hd M8 x 30	4
17	801-521	BRACKET, Rail Stiffener	1	61	801-022	SCREW, Cap, hex hd 5/16-18 x 1-3/4	4
18	802-016	PLATE, Rail Stiffener	1	62	803-298	SCREW, Cap, hex hd 5/16-18 x 3-1/2	1
19	800-375	HOSE ASSEMBLY, w/couplers	1	63	801-546	SCREW, Cap, hex hd 3/8-16 x 1-1/4	4
20	801-571	HOSE, High Pressure 50'	1	64	801-605	SCREW, Machine, hex hd #10-24 x 3/4	1
21	801-568	COUPLER, Male 3/8	1	65	801-015	WASHER, Flat 3/8	4
22	801-569	COUPLER, Female 3/8	1	66	801-023	WASHER, Flat 5/16	20
23	800-124	TIP ASSEMBLY, 0 Degree	1	67	801-606	WASHER, Flat #10	1
24	801-090	COUPLER, Male 1/4	1	68	801-363	WASHER, Lock 3/8	4
25	801-599	TIP, 0 Degree	1	69	801-025	WASHER, Lock 5/16	20
26	800-125	TIP ASSEMBLY, 15 Degree	1	70	801-875	WASHER, Lock #10	1
27	801-600	TIP, 15 Degree	1	71	801-024	NUT, Hex 5/16-18	7
28	800-126	TIP ASSEMBLY, 25 Degree	1	72	801-020	NUT, Lock 1/2-13	2
29	801-601	TIP, 25 Degree	1	73	801-922	NUT, Flange 5/16-18	3
30	800-127	TIP ASSEMBLY, 40 Degree	1	74	800-156	NUT, Flange 5/16-18	1
31	801-602	TIP, 40 Degree	1	75	801-612	WASHER, Flat 1/2	2
32	801-548	GROMMET, Rubber	5	76	801-608	PIN, Roll 3/16 x 1/2	1
33	800-392	GUN & WAND ASSEMBLY	1	77	801-610	BRACKET, Bumper	1
34	803-350	GUN, Spray	1	78	801-367	BUMPER, Rubber	1
35	801-134	WAND, 32"	1	79	801-676	SPACER, Pump	4
36	801-009	COUPLER, Female 1/4	1	81	802-521	O-RING, Female Coupler 3/8	1
37	801-569	COUPLER, Female 3/8	1	82	801-202	O-RING, Female Coupler 1/4	1
38	801-603	NIPPLE, Hex 3/8	1				
39	801-674	SLEEVE, 28"	1				
41	801-364	COVER, Belt Guard	1				
42	801-500	BASEPLATE, Belt Guard	1				
43	801-004	PULLEY, Pump	1				

# PARTS DRAWING

## 800-335 Hydra-Clean® 3040 Pressure Washer



## PARTS LIST

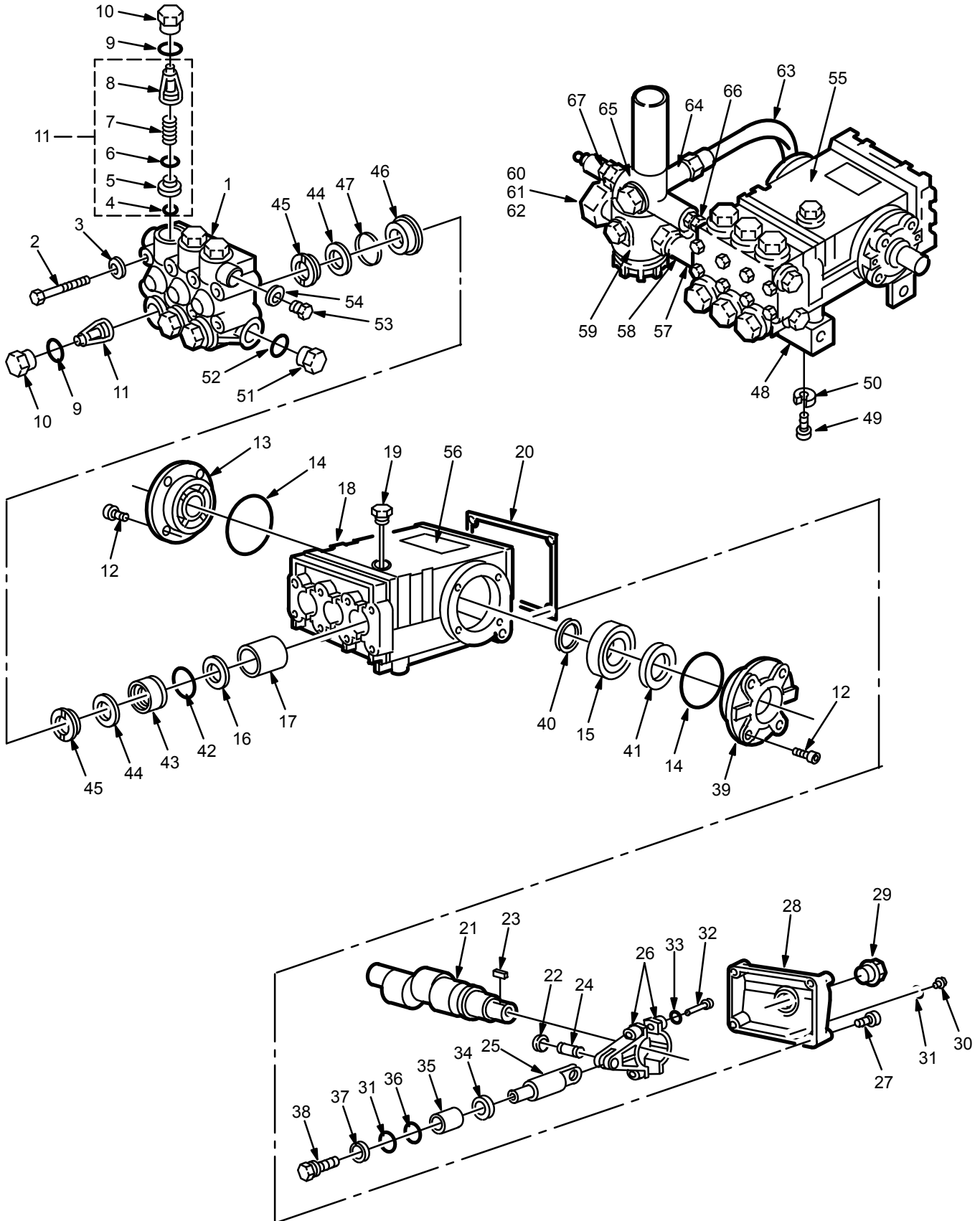
### 800-335 Hydra-Clean® 3040 Pressure Washer

REF NO.	PART NO.	DESCRIPTION	QTY	REF NO.	PART NO.	DESCRIPTION	QTY
1	803-158	ENGINE, 11 HP, Honda	1	44	801-135	HUB, Pump	1
2	800-327	PUMP ASSEMBLY, 3000 psi	1	45	803-160	PULLEY, Engine	1
	(see page 14)		1	46	801-898	HUB, Engine	1
3	800-067	CHASSIS	1	47	801-137	KEY	1
4	801-539	BUMPER	1	48	801-285	BELT, Drive	2
5	801-541	HANDLE	1	49	801-217	BUMPER, Rubber	1
6	801-556	AXLE	1	50	801-543	LABEL, Graco	1
7	801-550	WHEEL & TIRE ASSEMBLY	2	51	802-363	LABEL, Caution	1
8	800-160	FRONT LEG ASSEMBLY	1	52	802-381	LABEL, Warning, ventilation	1
9	801-531	SCREW, Cap, hex hd 3/8-16 x 7	1	53	801-141	LABEL, Warning, belt guard	1
10	801-015	WASHER, Flat	1	54	801-129	LABEL, Warning, chassis	1
11	801-499	NUT, Lock 3/8-16	1	55	801-130	LABEL, Warning, chassis	1
12	801-537	LEG, Front	1	56	803-161	LABEL, Model 3040	1
13	801-506	BOOT	1	57	801-941	SCREW, Cap, hex hd	
14	801-504	BUMPER, Rubber	1			5/16-18 x 1	7
15	801-505	RETAINER, Spring	1	58	801-940	SCREW, Cap, hex hd	
16	801-593	SPRING	1			5/16-18 x 3/4	1
17	801-521	BRACKET, Rail Stiffener	1	59	801-210	SCREW, Cap, hex hd M8 x 16	1
18	802-016	PLATE, Rail Stiffener	1	60	801-559	SCREW, Cap, hex hd M8 x 30	4
19	800-375	HOSE ASSEMBLY, w/couplers	1	61	801-022	SCREW, Cap, hex hd	
20	801-571	HOSE, High Pressure 50'	1			5/16-18 x 1-3/4	4
21	801-568	COUPLER, Male 3/8	1	62	803-298	SCREW, Cap, hex hd	
22	801-569	COUPLER, Female 3/8	1			5/16-18 x 3-1/2	1
23	800-314	TIP ASSEMBLY, 0 Degree	1	63	801-546	SCREW, Cap, hex hd	
24	801-090	COUPLER, Male 1/4	1			3/8-16 x 1-1/4	4
25	803-106	TIP, 0 Degree	1	64	801-605	SCREW, Machine, hex hd	
26	800-315	TIP ASSEMBLY, 15 Degree	1			#10-24 x 3/4	1
27	803-107	TIP, 15 Degree	1	65	801-015	WASHER, Flat 3/8	4
28	800-316	TIP ASSEMBLY, 25 Degree	1	66	801-023	WASHER, Flat 5/16	20
29	803-108	TIP, 25 Degree	1	67	801-606	WASHER, Flat #10	1
30	800-317	TIP ASSEMBLY, 40 Degree	1	68	801-363	WASHER, Lock 3/8	4
31	803-109	TIP, 40 Degree	1	69	801-025	WASHER, Lock 5/16	20
32	801-548	GROMMET, Rubber	5	70	801-875	WASHER, Lock #10	1
33	800-393	GUN & WAND ASSEMBLY	1	71	801-024	NUT, Hex 5/16-18	7
34	803-350	GUN, Spray	1	72	801-020	NUT, Lock 1/2-13	2
35	801-134	WAND, 32"	1	73	801-922	NUT, Flange 5/16-18	3
36	801-009	COUPLER, Female 1/4	1	74	800-156	NUT, Flange 5/16-18	1
37	801-569	COUPLER, Female 3/8	1	75	801-612	WASHER, Flat 1/2	2
38	801-603	NIPPLE, Hex 3/8	1	76	801-608	PIN, Roll 3/16 x 1/2	1
39	801-957	SLEEVE, 18"	1	77	801-610	BRACKET, Bumper	1
40	802-851	HANDLE	1	78	801-367	BUMPER, Rubber	1
41	801-364	COVER, Belt Guard	1	79	801-676	SPACER, Pump	4
42	801-500	BASEPLATE, Belt Guard	1	81	802-521	O-RING, Female Coupler 3/8	1
43	801-004	PULLEY, Pump	1	82	801-202	O-RING, Female Coupler 1/4	1

# PARTS DRAWING

800-326 Pump Assembly, 2200 psi

800-327 Pump Assembly, 3000 psi





## PARTS LIST

800-326 Pump Assembly, 2200 psi

800-327 Pump Assembly, 3000 psi

REF NO.	PART NO.	DESCRIPTION	QTY	REF NO.	PART NO.	DESCRIPTION	QTY
1	801-467	MANIFOLD, 2200 psi	1	54	801-485	WASHER, Flat	1
	801-647	MANIFOLD, 3000 psi	1	55	801-466	PUMP, 2200 psi	1
2	801-468	SCREW, Cap, hex hd	8		801-899	PUMP, 3000 psi	1
3	801-469	WASHER, Lock	8	56	803-083	LABEL, Keep From Freezing	1
4	*	O-RING		57	802-085	NIPPLE	
5	*	SEAT, Valve		58	801-106	TEE	
6	*	PLATE, Valve		59	800-113	FILTER	1
7	*	SPRING		60	801-111	NUT, Garden Hose	1
8	*	GUIDE, Valve		61	801-110	ADAPTER, Garden Hose	1
9	●	O-RING		62	801-112	STRAINER, Garden Hose	1
10	●	CAP		63	801-141	HOSE ASSEMBLY, Bypass	1
11	*	VALVE ASSEMBLY		64	803-142	NIPPLE, Hex 1/2 x 3/8	1
12	803-283	SCREW, Cap, socket hd	8	65	800-322	UNLOADER, 2200 psi	1
13	803-284	COVER, Crankcase	1		800-324	UNLOADER, 3000 psi	1
14	802-500	O-RING, Crankcase Cover	2	66	801-868	NIPPLE, Hex 3/8	1
15	803-285	BEARING, Tapered Roller	2	67	801-568	COUPLER, Male 3/8	1
16	□	SEAL, Oil					
17	803-286	BUSHING, Piston	1				
18	802-895	CRANKCASE	1				
19	801-475	DIPSTICK	1				
20	803-144	GASKET, Cover	1				
21	803-287	CRANKSHAFT, 2200 psi	1				
	803-332	CRANKSHAFT, 3000 psi	1				
22	803-288	RING, Retaining	6				
23	802-794	KEY	1				
24	803-289	PIN, Wrist	3				
25	803-323	GUIDE, Piston, 2200 psi	3				
	803-325	GUIDE, Piston, 3000 psi	3				
26	803-291	ROD, Connecting	3				
27	803-273	SCREW, Cap, socket hd	5				
	803-292	SCREW, Cap, socket hd	5				
28	803-321	COVER, Crankcase, 2200 psi	1				
	803-293	COVER, Crankcase, 3000 psi	1				
29	802-345	GAUGE, Sight	1				
30	802-793	PLUG, Oil Drain	1				
31	✓	O-RING					
32	803-294	SCREW, Cap, socket hd	6				
33	801-652	WASHER, Lock	6				
34	801-489	WASHER, Flinger	3				
35	801-490	PLUNGER, Ceramic	3				
36	✓	RING, Backup					
37	✓	WASHER					
38	✓	SCREW, Piston					
39	803-295	COVER, Crankcase	1				
40	803-296	SHIM	2				
41	★	SEAL, Oil					
42	■	O-RING					
43	■	RETAINER, Packing					
44	■†	PACKING					
45	■	RING, Head					
46	■	RETAINER, Packing					
47	■	RING, Long Life					
48	801-526	BRACKET, Pump	2				
49	802-305	SCREW, Cap, socket hd	2				
50	802-304	WASHER, Lock	2				
51	801-482	PLUG, Hex	1				
52	801-483	WASHER, Flat	1				
53	801-484	PLUG, Hex	1				

- \* Part of kit 1, 801-472 Valve Kit
- Part of kit 4, 802-306 Valve Cap Kit
- Part of kit 2, 801-473 Oil Seal Kit
- ✓ Part of kit 6, 801-474 Plunger Repair Kit
- ★ Part of kit 3, 802-511 Crankshaft Seal Kit
- Part of kit 28, 801-487 Packing and Retainer Kit
- † Part of kit 8, 801-486 Packing Kit

**WARNING**

To reduce the risk of serious bodily injury, including fluid injection, splashing in the eyes or on the skin, or injury from moving parts, always follow the **Pressure Relief Procedure Warning** before proceeding.

**NOTE:** The following metric wrenches are needed: M10, M13 and M30. Repair kits are available. Refer to the individual repair sections and the pump parts page for more details. For the best results, use all parts in the kits.

**NOTE:** There are two different tool kits to aid in servicing the pump. P/N 800–298 is used to ease installation of packings. P/N 800–271 includes the items in 800–298 and tools to aid in the removal of packing retainers.

**Valves**

**NOTE:** For a set of six valves, order P/N 801–472.

1. Remove the hex plug from the manifold using an M30 wrench.
2. Examine the o–ring under the hex plug and replace it if it is cut or distorted.
3. Remove the valve assembly from the cavity; the assembly may come apart.
4. Install the new valve. Install the o–ring and hex plug; torque to 75 ft–lb (103 Nm).

**NOTE:** Retorque the plug after 5 hours of operation.

**Pumping Section**

1. Remove the eight capscrews and lockwashers from the manifold using an M13 wrench.
2. Carefully separate the manifold from the crankcase.

**NOTE:** It may be necessary to tap the manifold lightly with a soft mallet to loosen.

**CAUTION**

Keep the manifold properly aligned with the ceramic plungers when removing to avoid damage to the plunger or seals.

3. Carefully examine each plunger for any scoring or cracking and replace as necessary.

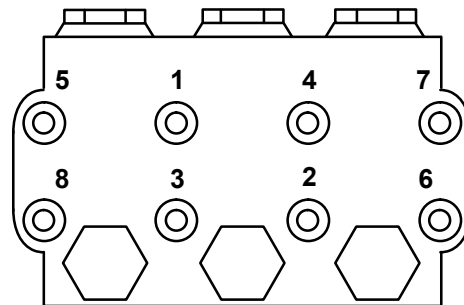
**Servicing the Plungers**

**NOTE:** Plunger repair kit, P/N 801–474 is available to replace retainers, o–rings, washers and backup rings for three cylinders.

1. Loosen the plunger retaining screw five to six turns, using an M10 wrench. Push the plunger towards the crankcase to separate the plunger and retaining screw.
2. Remove the screw from the plunger and examine the o–ring, backup ring and copper bearing/gasket washer. Replace these parts if necessary using kit 801–474.
3. Remove the plunger and flinger from the plunger shaft. Clean, examine and replace parts as necessary.
4. Inspect the plunger shaft for oil leakage from the crankcase. If leaking is obvious, replace the oil seals. Otherwise, DO NOT remove these seals as they cannot be reused. An oil seal kit is available to replace the seals.
5. Lightly grease the flinger and oil seal, if it is being replaced and replace them on the plunger shaft. Then install the plunger.
6. Lightly grease the retaining screw and the outer end of the plunger. Place the washer, o–ring and backup ring around the screw and install the screw through the plunger. Torque to 14.4 ft–lb (19.5 Nm).

**NOTE:** If you plan to replace the packings, refer to Servicing the V–Packings.

7. Lubricate the outside of each plunger. Slide the manifold onto the crankcase, being careful not to damage the seals.
8. Install the capscrews and washers finger–tight. Torque the screws to 21.7 ft–lb (29 Nm) following the tightening pattern (Figure 4). Uneven tightening may cause the manifold to bind or jam.



**Figure 4**

## Servicing the V-Packings

**NOTE:** There are two types of packing kits: one is just packings, the other includes the packings, rings and retainers.

1. Remove the manifold as outlined in the Pumping Section.
2. Carefully pull the packing retainer from the manifold. Examine the o-ring and replace it if it is cut or damaged.
3. Remove the v-packing and head ring. Pull out the intermediate retainer ring. Remove the second v-packing and second head ring.
4. Inspect all parts and replace as necessary.

5. Thoroughly clean the packing cavities and examine.
6. Lightly grease the packing cavities and then replace the packings in the following order: head ring, v-packing, intermediate ring, head ring, v-packing and packing retainer with the o-ring installed in the retainer groove.

### CAUTION

Be very sure the parts are installed in the proper order and facing the correct direction. See the pump drawing on page 16. Improperly installed parts will cause a malfunction.

7. Reassemble the manifold as instructed in Servicing the Plungers.

## ACCESSORIES

(Must be purchased separately)

### DOWNSTREAM CHEMICAL INJECTOR KIT 800-117

For injecting harsh cleaning chemicals downstream from the pump.

### UPSTREAM CHEMICAL INJECTOR KIT 800-257

For injecting mild cleaning chemicals upstream into the pump.

### BACKFLOW PREVENTOR 801-133

Prevent back-up of contaminated water into fresh supply. Install upstream of pump.

### WATER SANDBLASTING KIT 800-120

For abrasive cleaning of stubborn dirt and paint. Requires a spray tip which is not included in kit (2245 uses 801-666, 3035 uses 801-600, 3040 uses 803-107).

### ANTI-FREEZE FLUSH KIT 802-327

For flushing system with 50% anti-freeze solution prior to transporting or storing pressure washer in below freezing temperatures.

### INLET PRESSURE REGULATOR 800-258

Regulates inlet water pressure to 60 psi (4 bar) maximum.

## TECHNICAL DATA

	Model 800-062	Model 800-063	Model 800-065	Model 800-335
Engine (all 11 hp, air-cooled, 4 cycle)	Wisconsin Robin	Briggs and Stratton I/C	Wisconsin Robin	Honda OHV
Gasoline Tank Capacity	6.2 quarts (6 liter)	6 quarts (5.7 liter)	6.2 quarts (6 liter)	6.9 quarts (6.5 liter)
Water Pump Maximum Working Pressure	2200 psi (152 bar)	2200 psi (152 bar)	3000 psi (207 bar)	3000 psi (207 bar)
Water Pump Maximum Flow	4.5 gpm (17 lpm)	4.5 gpm (17 lpm)	3.5 gpm (13 lpm)	4 gpm (15 lpm)
Inlet Hose Connection	3/4" garden hose (f)	3/4" garden hose (f)	3/4" garden hose (f)	3/4" garden hose (f)
Weight	222 lb (101 Kg)	213 lb (97 Kg)	222 lb (101 Kg)	219 lb (100 Kg)
Dimensions				
Length	44" (1118 mm)	44" (1118 mm)	44" (1118 mm)	44" (1118 mm)
Width	31" (787 mm)	31" (787 mm)	31" (787 mm)	31" (787 mm)
Height	28" (711 mm)	26" (660 mm)	28" (711 mm)	26" (660 mm)
Maximum Inlet Water Temperature	160° F (70° C)	160° F (70° C)	160° F (70° C)	160° F (70° C)
Wetted Parts	Acrylonitrile and Buna-N cover and tube Synthetic yarn and EPDM Anodized aluminum, Aluminum or bronze alloys, Brass Copper, Nylon- PTFE composite, Ceramic, Buna-N, Cotton phenolic, 303, 304, and 316 Stainless steel, Polymide-12 thermoplastic, PTFE®, Carbon steel, Zinc with or without yellow chromate plate PTFE is a registered trademark of the DuPont Company.			
High Pressure Hose				
Bypass Hose				
Pressure Washer (including fittings)				

# THE GRACO WARRANTY

## WARRANTY AND DISCLAIMERS

Graco warrants all equipment manufactured by it and bearing its name to be free from defects in material and workmanship on the date of sale by an authorized Graco distributor to the original purchaser for use. As purchaser's sole remedy for breach of this warranty, Graco will, for a period of twenty four months from date of sale, repair or replace any part of the equipment proven defective. This warranty applies only when the equipment is installed, operated and maintained in accordance with Graco's written recommendations.

This warranty does not cover, and Graco shall not be liable for, any malfunction, damage or wear caused by faulty installation, misapplication, abrasion, corrosion, inadequate or improper maintenance, negligence, accident, tampering, or substitution of non-Graco component parts. Nor shall Graco be liable for malfunction, damage or wear caused by the incompatibility with Graco equipment of structures, accessories, equipment or materials not supplied by Graco, or the improper design, manufacture, installation, operation or maintenance of structures, accessories, equipment or materials not supplied by Graco.

This warranty is conditioned upon the prepaid return of the equipment claimed to be defective for examination by Graco to verify the claimed defect. If the claimed defect is verified, Graco will repair or replace free of charge any defective parts. The equipment will be returned to the original purchaser transportation prepaid. If inspection of the equipment does not disclose any defect in material or workmanship, repairs will be made at a reasonable charge, which charges may include the costs of parts, labor and transportation.

## DISCLAIMERS AND LIMITATIONS

THE TERMS OF THIS WARRANTY CONSTITUTE THE PURCHASER'S SOLE AND EXCLUSIVE REMEDY AND ARE IN LIEU OF ANY OTHER WARRANTIES (EXPRESS OR IMPLIED), INCLUDING WARRANTY OF MERCHANTABILITY OR WARRANTY OF FITNESS FOR A PARTICULAR PURPOSE, AND OF ANY NON-CONTRACTUAL LIABILITIES, INCLUDING PRODUCT LIABILITIES, BASED ON NEGLIGENCE OR STRICT LIABILITY. EVERY FORM OF LIABILITY FOR DIRECT, SPECIAL OR CONSEQUENTIAL DAMAGES OR LOSS IS EXPRESSLY EXCLUDED AND DENIED. IN NO CASE SHALL GRACO'S LIABILITY EXCEED THE AMOUNT OF THE PURCHASE PRICE. ANY ACTION FOR BREACH OF WARRANTY MUST BE BROUGHT WITHIN THREE (3) YEARS OF THE DATE OF SALE.

## EQUIPMENT NOT COVERED BY GRACO WARRANTY

GRACO MAKES NO WARRANTY, AND DISCLAIMS ALL IMPLIED WARRANTIES OF MERCHANTABILITY AND FITNESS FOR A PARTICULAR PURPOSE, WITH RESPECT TO ACCESSORIES, EQUIPMENT, MATERIALS OR COMPONENTS SOLD BUT NOT MANUFACTURED BY GRACO. These items sold, but not manufactured by Graco (such as electric motor, switches, hose, etc.) are subject to the warranty, if any, of their manufacturer. Graco will provide purchaser with reasonable assistance in making any claim for breach of these warranties.

**Factory Branches:** Atlanta, Chicago, Dallas, Detroit, Los Angeles, West Caldwell (N.J.)  
**Subsidiary and Affiliate Companies:** Canada; England; Switzerland; France; Germany; Hong Kong; Japan

**GRACO INC. P.O. BOX 1441 MINNEAPOLIS, MN 55440-1441**

PRINTED IN U.S.A. 308-501 7/89

## Free Manuals Download Website

<http://myh66.com>

<http://usermanuals.us>

<http://www.somanuals.com>

<http://www.4manuals.cc>

<http://www.manual-lib.com>

<http://www.404manual.com>

<http://www.luxmanual.com>

<http://aubethermostatmanual.com>

Golf course search by state

<http://golfingnear.com>

Email search by domain

<http://emailbydomain.com>

Auto manuals search

<http://auto.somanuals.com>

TV manuals search

<http://tv.somanuals.com>