

Alternator Conversion Kit

313293C

EN

For converting an XM plural-component sprayer wall power supply to a turbine power supply. For professional use only.

Not for use in explosive atmospheres.

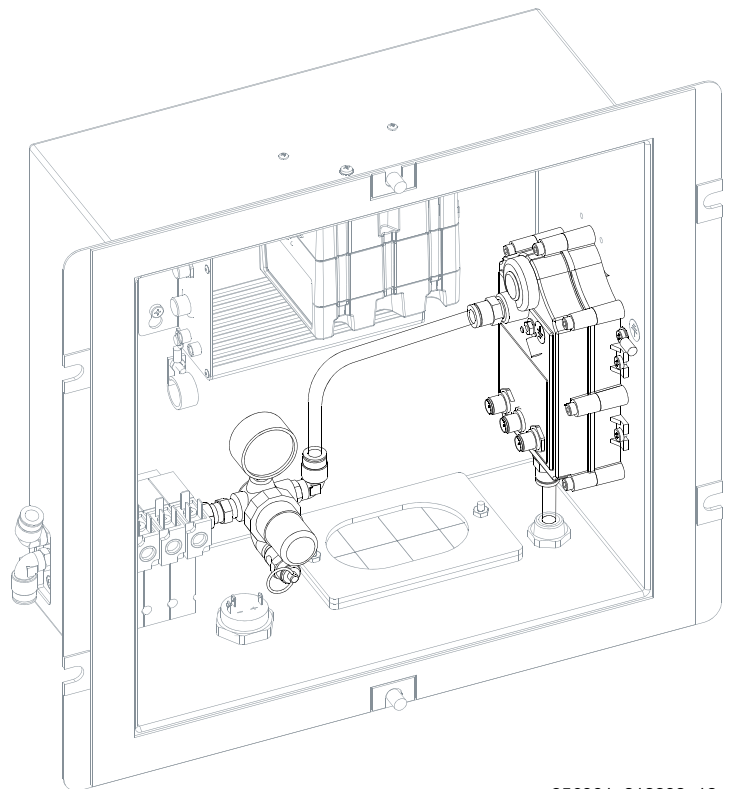
Part No. 256991



Important Safety Instructions

Read all warnings and instructions in the XM Plural-Component Sprayer Operation manual. Save these instructions.

For patent information, see www.graco.com/patents



r_256991_313293_13a

Contents

- Related Manuals** 2
- Component Identification** 3
- Installation** 4
 - Remove Power Supply 4
 - Install Alternator 5
 - Install Regulator Assembly 5
- Setup** 6
 - Connect Hose 6
 - Connect Cables 6
 - Set Air Regulator 6
- Parts** 7
- Technical Data** 8
- Graco Standard Warranty** 10
- Graco Information** 10

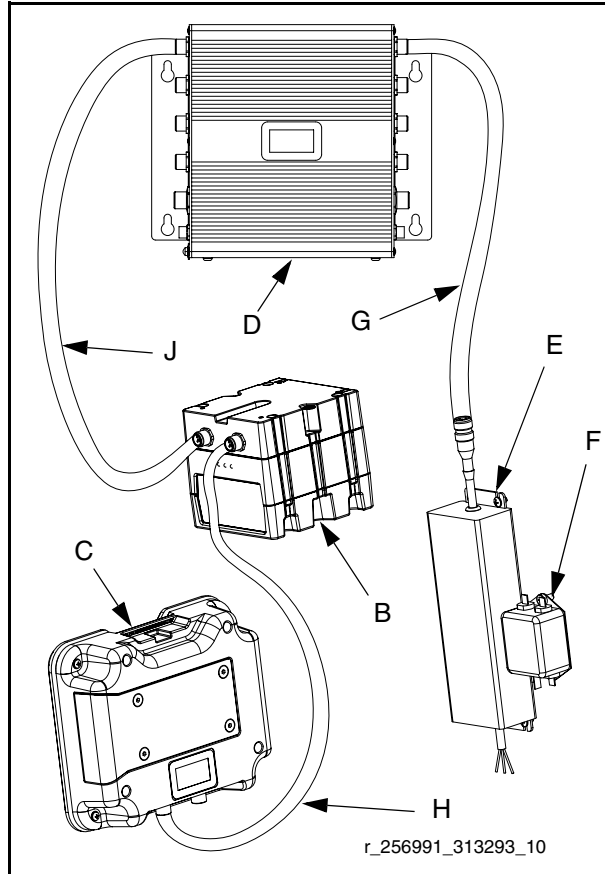
Related Manuals

Component Manuals in U.S. English:

Manual	Description
312359	XM Plural-Component Sprayer Operation
313289	XM Plural-Component Sprayer Repair
313292	XM Plural-Component Sprayer, Instructions-Parts

Component Identification

Power Supply Cable Connections



Alternator Conversion Kit Cable Connections

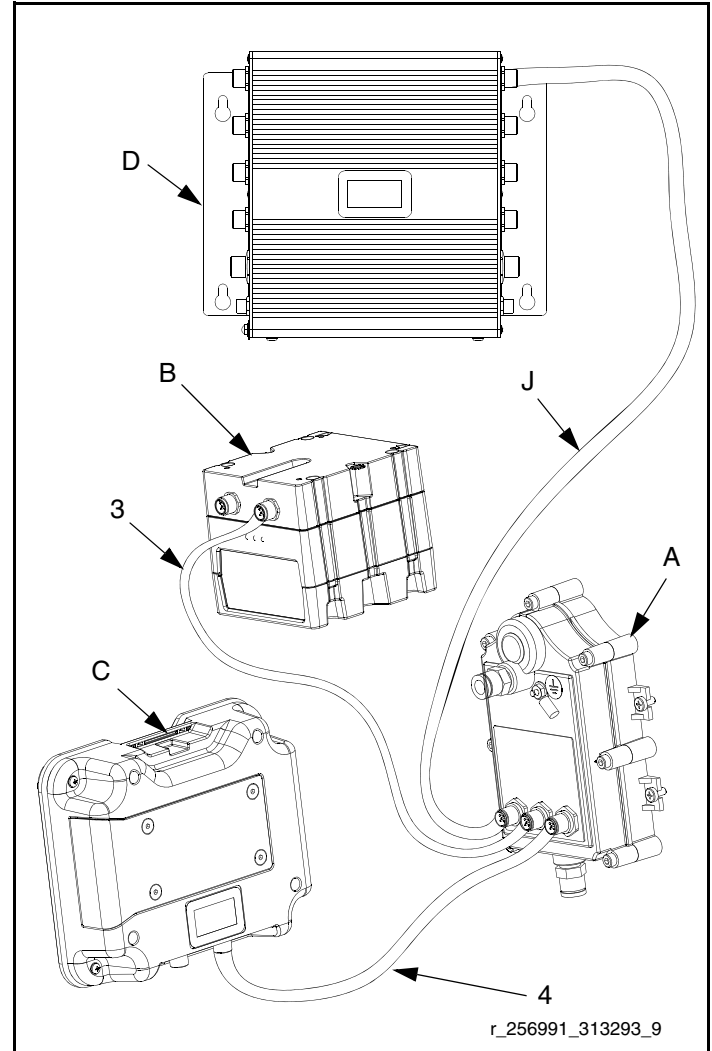


FIG. 1: Typical Installation

Key:

- A Alternator
- B USB Module
- C Display Module
- D Fluid Control Module
- E Power Supply
- F Filter Assembly
- G Power Supply Cable
- H CAN cable 15V779 (communication/power)
- J CAN cable 15V778 (communication/power)
- 3 CAN cable 15V782 (USB power cable)
- 4 CAN cable 15V783 (Display power cable)

Installation



It is required to remove the power supply before installing the alternator conversion kit. Always have a qualified electrician perform wiring connections.

Remove Power Supply

1. Shutdown XM plural-component sprayer. See operation manual 312359 for shutdown procedure.
2. Disconnect incoming power cable connections to power supply (E) and ground lead (X) from junction box (JB).

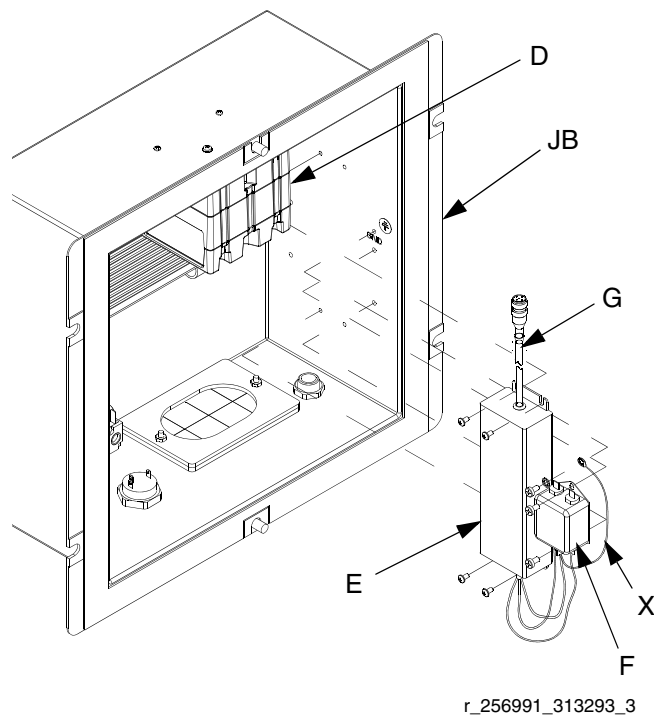


FIG. 2: Remove Power Supply

3. Disconnect power supply cable (G) from fluid control module (D).
4. Disconnect power cable from power filter (F) and from terminal blocks in junction box (not shown).
5. Loosen mounting screws and remove power supply (E) and filter (F) from control box (CB).

6. Disconnect CAN cable (H) from USB front CAN connector and display module (C). See FIG. 1 on page 3.

NOTE:

Cable (H) will not be used for alternator conversion kit.

7. Disconnect CAN cable (J) from USB module and fluid control module. Do not discard cable (J). CAN cable (J) will be used by alternator conversion kit.

NOTE:

Keep power supply (E) and filter (F) connected so that you can easily reinstall your power supply.

Install Alternator

1. Use screws (14) to install alternator (1) inside junction box (JB).

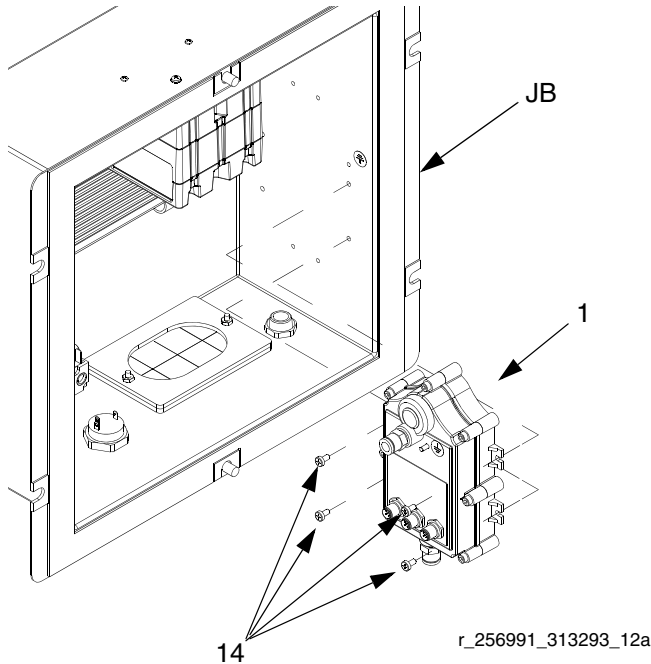


FIG. 3: Install Alternator

2. Install screw (14) through other end of grounding wire (17), washer (19), and mounting hole beneath the grounding label inside junction box (JB).

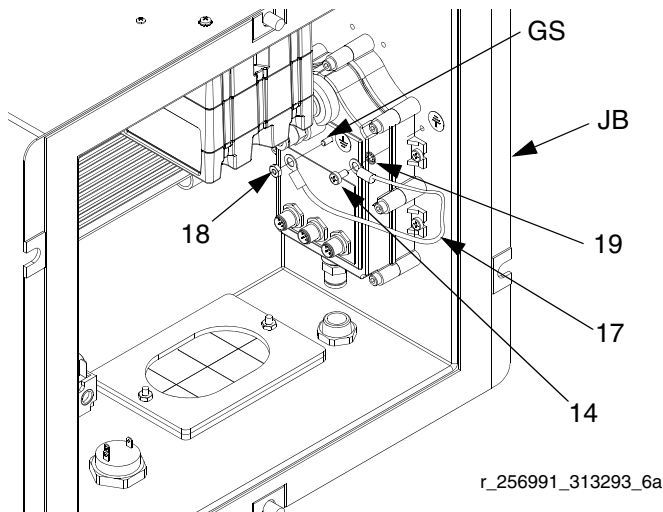


FIG. 4: Connect Grounding Wire

3. Connect terminal ring on GND wire (17) to GND screw (GS) on alternator (1). Tighten with nut (18).

Install Regulator Assembly

1. Position regulator (6) for proper air flow direction.

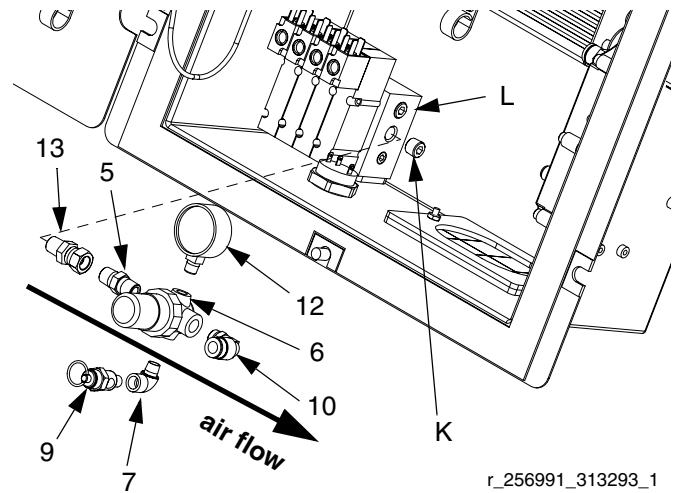


FIG. 5: Install Regulator Assembly

2. Connect pressure gauge (12), elbow (7), safety valve (9), elbow fitting (10) and nipple fitting (5) to air regulator (6). Use pipe sealant on all non-swiveling and threads without gaskets.
3. Remove plug (K) from solenoid bank (L) and install swivel (13).
4. Connect regulator assembly to swivel (13) and tighten.

Setup

Connect Hose

1. Connect tubing (15) between the air regulator outlet fitting (10) and the alternator air inlet (M).

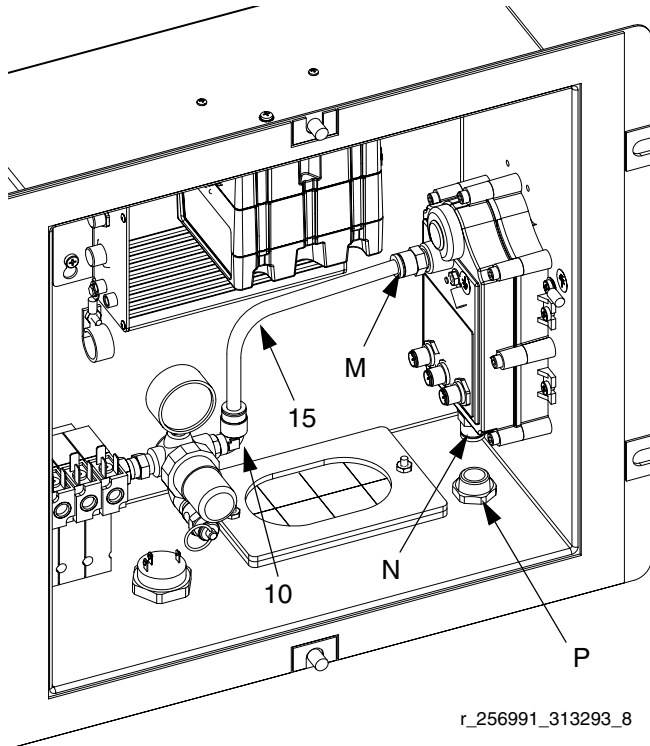


FIG. 6: Hose Connections


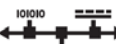

2. Feed tubing (21) up through cord grip (P) and connect to alternator exhaust fitting (N).
3. Tie down exhaust tubing (15) to XM sprayer frame with tie straps (22) where it exhausts downward with no restrictions.

NOTICE

Ensure that the tubing (15) is clear of any moving parts.

Connect Cables

Use reference labels located near CAN connectors to properly connect components that are connected with the alternator. Each CAN cable is marked with the part number. The ends with the blue-colored sockets attach to the alternator. See FIG. 1 on page 3 for **Alternator Conversion Kit Cable Connections**.

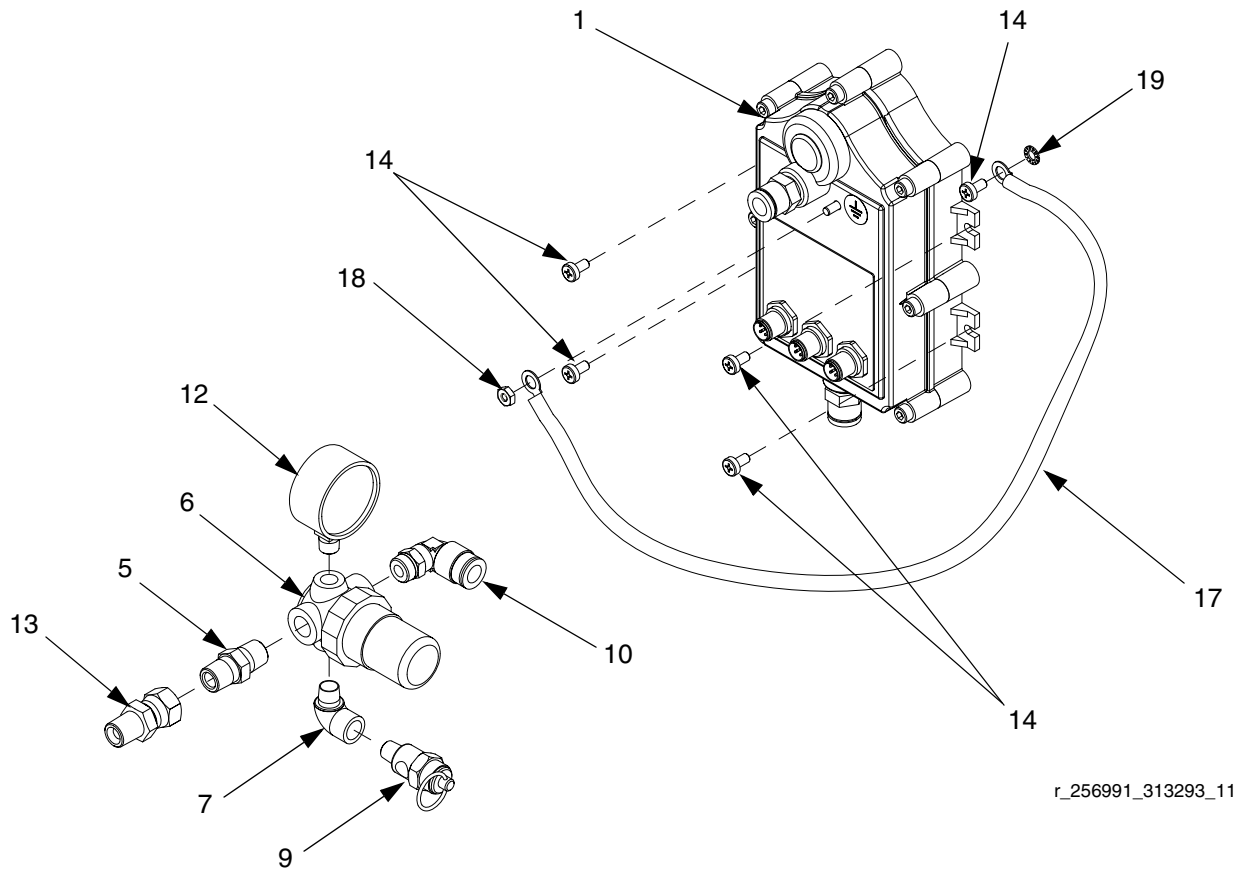
1. Connect 15V782 CAN cable (3) to  CAN connectors on USB module (B) and alternator (A).
2. Connect 15V778 CAN cable (J) to  CAN connectors on alternator (A) and fluid control module (D).
3. Connect 15V783 CAN cable (4) to  CAN connectors on alternator (A) and display module (C).

Set Air Regulator

Use the air regulator (6) to set the air pressure to 18 +/- 1 psi (124 kPa, 1.24 bar).

Parts

256991, Alternator Conversion Kit



Ref.	Part	Description	Qty.	Ref.	Part	Description	Qty.
1	255728	MODULE, alternator	1	17	194337	WIRE, ground	1
3†	15V782	CABLE, I.S. CAN, male/ female, 20 in.	1	18	100284	NUT, hex	1
4†	15V783	CABLE, male A to female B code, 39 in.	1	19	111307	WASHER, lock, external	1
5	156971	NIPPLE, short	1	21†	15Y861	TUBE, spark arrest, alternator	1
6	115243	REGULATOR, air, 1/4 npt	1	22†	114958	STRAP, tie	4
7	112307	ELBOW, street	1				
9	15W017	VALVE, safety, regulator	1				
10	115841	ELBOW	1				
12	104655	GAUGE	1				
13	156823	UNION, swivel	1				
14	110637	SCREW, panhead	5				
15†	C12508	TUBING, nylon, round; 9 in.	1				
16†	121794	TAPE, PTFE; 260 in. roll	1				

† Not shown.

Technical Data

Alternator Module

Maximum Air Working Pressure

19 psi (1.13 MPa, 1.31 bar)

Minimum Air Working Pressure

17 psi (0.13 MPa, 0.12 bar)

Graco Standard Warranty

Graco warrants all equipment referenced in this document which is manufactured by Graco and bearing its name to be free from defects in material and workmanship on the date of sale to the original purchaser for use. With the exception of any special, extended, or limited warranty published by Graco, Graco will, for a period of twelve months from the date of sale, repair or replace any part of the equipment determined by Graco to be defective. This warranty applies only when the equipment is installed, operated and maintained in accordance with Graco's written recommendations.

This warranty does not cover, and Graco shall not be liable for general wear and tear, or any malfunction, damage or wear caused by faulty installation, misapplication, abrasion, corrosion, inadequate or improper maintenance, negligence, accident, tampering, or substitution of non-Graco component parts. Nor shall Graco be liable for malfunction, damage or wear caused by the incompatibility of Graco equipment with structures, accessories, equipment or materials not supplied by Graco, or the improper design, manufacture, installation, operation or maintenance of structures, accessories, equipment or materials not supplied by Graco.

This warranty is conditioned upon the prepaid return of the equipment claimed to be defective to an authorized Graco distributor for verification of the claimed defect. If the claimed defect is verified, Graco will repair or replace free of charge any defective parts. The equipment will be returned to the original purchaser transportation prepaid. If inspection of the equipment does not disclose any defect in material or workmanship, repairs will be made at a reasonable charge, which charges may include the costs of parts, labor, and transportation.

THIS WARRANTY IS EXCLUSIVE, AND IS IN LIEU OF ANY OTHER WARRANTIES, EXPRESS OR IMPLIED, INCLUDING BUT NOT LIMITED TO WARRANTY OF MERCHANTABILITY OR WARRANTY OF FITNESS FOR A PARTICULAR PURPOSE.

Graco's sole obligation and buyer's sole remedy for any breach of warranty shall be as set forth above. The buyer agrees that no other remedy (including, but not limited to, incidental or consequential damages for lost profits, lost sales, injury to person or property, or any other incidental or consequential loss) shall be available. Any action for breach of warranty must be brought within two (2) years of the date of sale.

GRACO MAKES NO WARRANTY, AND DISCLAIMS ALL IMPLIED WARRANTIES OF MERCHANTABILITY AND FITNESS FOR A PARTICULAR PURPOSE, IN CONNECTION WITH ACCESSORIES, EQUIPMENT, MATERIALS OR COMPONENTS SOLD BUT NOT MANUFACTURED BY GRACO. These items sold, but not manufactured by Graco (such as electric motors, switches, hose, etc.), are subject to the warranty, if any, of their manufacturer. Graco will provide purchaser with reasonable assistance in making any claim for breach of these warranties.

In no event will Graco be liable for indirect, incidental, special or consequential damages resulting from Graco supplying equipment hereunder, or the furnishing, performance, or use of any products or other goods sold hereto, whether due to a breach of contract, breach of warranty, the negligence of Graco, or otherwise.

FOR GRACO CANADA CUSTOMERS

The Parties acknowledge that they have required that the present document, as well as all documents, notices and legal proceedings entered into, given or instituted pursuant hereto or relating directly or indirectly hereto, be drawn up in English. Les parties reconnaissent avoir convenu que la rédaction du présente document sera en Anglais, ainsi que tous documents, avis et procédures judiciaires exécutés, donnés ou intentés, à la suite de ou en rapport, directement ou indirectement, avec les procédures concernées.

Graco Information

For the latest information about Graco products, visit www.graco.com.

TO PLACE AN ORDER, contact your Graco distributor or call to identify the nearest distributor.

Phone: 612-623-6921 **or Toll Free:** 1-800-328-0211 **Fax:** 612-378-3505

All written and visual data contained in this document reflects the latest product information available at the time of publication. Graco reserves the right to make changes at any time without notice.

Original instructions. This manual contains English. MM 313293

Graco Headquarters: Minneapolis

International Offices: Belgium, China, Japan, Korea

GRACO INC. P.O. BOX 1441 MINNEAPOLIS, MN 55440-1441

Copyright 2009, Graco Inc. is registered to ISO 9001

www.graco.com

Revised April 2012

Download from Www.Softmanuals.com. All Manuals Search And Download.

Free Manuals Download Website

<http://myh66.com>

<http://usermanuals.us>

<http://www.somanuals.com>

<http://www.4manuals.cc>

<http://www.manual-lib.com>

<http://www.404manual.com>

<http://www.luxmanual.com>

<http://aubethermostatmanual.com>

Golf course search by state

<http://golfingnear.com>

Email search by domain

<http://emailbydomain.com>

Auto manuals search

<http://auto.somanuals.com>

TV manuals search

<http://tv.somanuals.com>