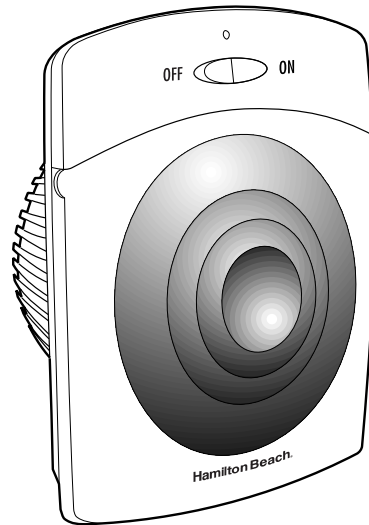


**Hamilton Beach®**

*TrueAir™ Air Cleaner*



**English ..... 2**  
**USA: 1-800-851-8900**  
**Canada : 1-800-267-2826**

**840086600**

## Air Cleaner Safety

### IMPORTANT SAFEGUARDS

When using electrical appliances, basic safety precautions should always be followed including the following:

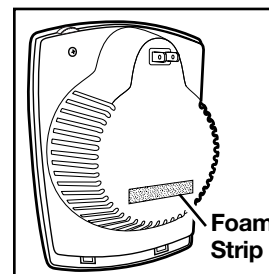
1. Read all instructions before using the appliance.
2. To reduce the risk of fire or shock hazard, plug the air cleaner directly into a 120V AC electrical outlet.
3. To protect against electrical hazards do not immerse in water or other liquids.
4. Close supervision is necessary when any appliance is used by or near children, or by invalids.
5. Always unplug the air cleaner before moving it, opening the grill, changing filters, before cleaning, or whenever the air cleaner is not in use.
6. Do not put foreign objects inside the air cleaner.
7. Do not operate any appliance with a damaged plug, if fan fails to rotate, or after the appliance malfunctions or has been dropped or damaged in any manner. Return the appliance to Hamilton Beach/Proctor-Silex for examination, electrical or mechanical adjustment or repair.
8. Use the appliance only for intended household use as described in this manual.
9. Do not use outdoors.
10. Never block the air opening.
11. Keep away from heated surfaces.
12. This appliance is NOT a toy.

**READ AND SAVE  
THESE INSTRUCTIONS**

2

### Consumer Safety Information

- This appliance is intended for household use only.
- Do not immerse in water.
- Do not install the unit where water can splash on it or near an open window.
- Do not place foreign objects inside the unit.
- Do not use air cleaner with a customized or non-standard outlet.
- Do not obstruct the vents. Keep clear of drapes and furniture.
- Not suitable for use in hazardous locations such as in the presence of flammable or volatile vapors.
- Instruct children never to interfere with the unit.
- Do not use with extension cords or multi-plug adaptors.
- Use with a properly functioning electrical outlet only.
- **WARNING:** To reduce the risk of fire or electric shock, do not use this fan with any solid-state speed control device or dimmer switch.
- This product is not a toy. For adult use only.
- Do not use near cooking areas. This air cleaner is not intended to be used as an exhaust fan to remove smoke and grease resulting from cooking.

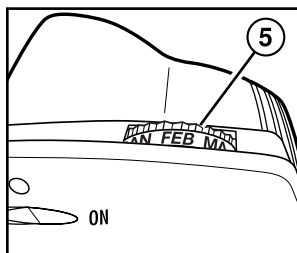
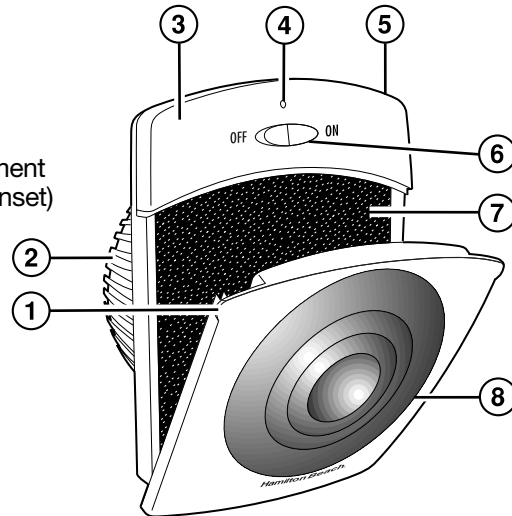


The foam strip is to maintain proper placement and quiet operation. Do not remove. Call the toll-free customer service number for a replacement strip.

3

## Parts and Features

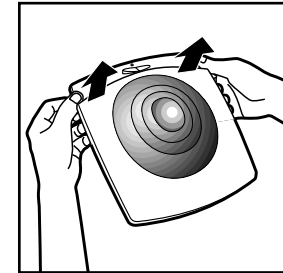
1. Opening Tabs
2. Vents
3. Housing
4. ON Light
5. Filter Replacement Indicator (see inset)
6. ON/OFF Switch
7. Filter
8. Grill



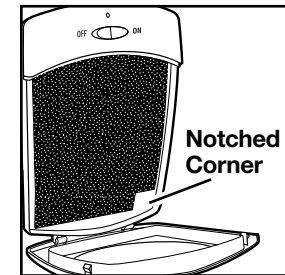
4

## How to Use Your Air Cleaner

1. Open the cover of air cleaner as illustrated.



2. Remove plastic bag from the filter before installing the filter. Place the filter in the air cleaner, fitting notched corner of filter around notched edge of air cleaner.



3. Close the cover of the air cleaner until it snaps into place.
4. Advance the Filter Replacement Indicator **one month** ahead of the current month if the air cleaner is used **continuously** for strong odors. Advance the indicator up to **four months** ahead if it is used only **occasionally**.

**NOTE:** The life of the filter is determined by use. If the air cleaner is used continuously for strong odors, such as a cat litter box or diaper pail, it may need to be replaced at 1 month. If only used occasionally, such as in a guest bathroom, it may last up to 4 months.

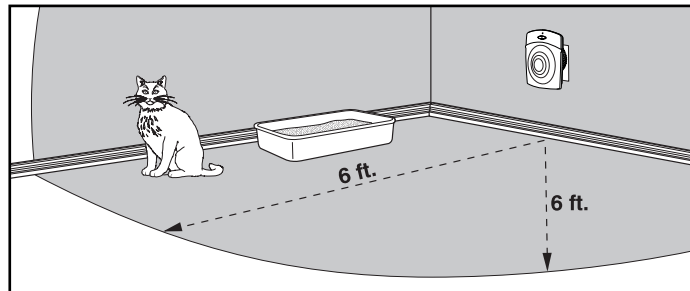
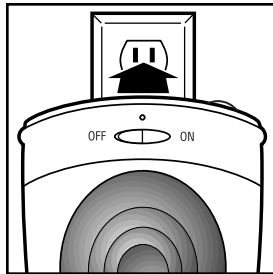
5

5. Plug in air cleaner as illustrated.

**NOTE:** Outlets in older homes may not hold the air cleaner securely. If the air cleaner seems "loose" within the outlet, please contact a qualified electrician to replace the obsolete outlet.

6. Press the ON switch. The green ON Light will indicate that the unit is on.

**NOTE:** You may leave the air cleaner on constantly or only use occasionally for strong odors. The air cleaner is designed to work best when plugged in within six feet of the odor source. The air cleaner will reduce, not completely eliminate, very strong odors.



## Cleaning

1. Unplug the unit before cleaning.
2. Wipe the exterior housing with a clean, dry cloth only.
3. To clean the grill, wipe with a damp cloth or use a vacuum cleaner to remove lint or debris.
4. Do not use detergents, solvents, or spray cleaners.

**Do not immerse unit in water or other liquid.**

## To Replace the Filter

**NOTE:** A filter should last 1 to 4 months, depending on use.

1. Remove air cleaner from the outlet. Open cover of air cleaner and remove the used filter.
2. Discard used filter. Remove plastic bag from new filter before installing. Use Hamilton Beach filter, part number 04290, 04291, or 04294.
3. Reset the Filter Replacement Indicator.

## Customer Service

If you have a question about your air cleaner, call our toll-free customer service number. Before calling, please note the model, type, and series numbers and fill in that information below. These numbers can be found on the back of your air cleaner. This information will help us answer your question much more quickly.

**MODEL:** \_\_\_\_\_ **TYPE:** \_\_\_\_\_ **SERIES:** \_\_\_\_\_

### LIMITED WARRANTY

This product is warranted to be free from defects in material and workmanship for a period of two (2) years for Hamilton Beach Portfolio products or one (1) year for Hamilton Beach products from the date of original purchase, except as noted below. During this period, we will repair or replace this product, at our option, at no cost. THE FOREGOING WARRANTY IS IN LIEU OF ANY OTHER WARRANTY, WHETHER EXPRESS OR IMPLIED, WRITTEN OR ORAL INCLUDING ANY WARRANTY OF MERCHANTABILITY OR FITNESS FOR A PARTICULAR PURPOSE. ANY LIABILITY IS EXPRESSLY LIMITED TO AN AMOUNT EQUAL TO THE PURCHASE PRICE PAID, AND ALL CLAIMS FOR SPECIAL, INCIDENTAL AND CONSEQUENTIAL DAMAGES ARE HEREBY EXCLUDED. There is no warranty with respect to the following, which may be supplied with this product: glass parts, glass containers, cutter/strainer, blades, and/or agitators. This warranty extends only to the original consumer purchaser and does not cover a defect resulting from abuse, misuse, neglect, use for commercial purposes, or any use not in conformity with the printed directions. This warranty gives you specific legal rights, and you may also have other legal rights which vary from state to state, or province to province. Some states or provinces do not allow limitations on implied warranties or special, incidental or consequential damages, so the foregoing limitations may not apply to you.

If you have a claim under this warranty, DO NOT RETURN THE APPLIANCE TO THE STORE! Please call our CUSTOMER SERVICE NUMBER. (For faster service please have model, series, and type numbers ready for operator to assist you.)

### CUSTOMER SERVICE NUMBERS

In the U.S. 1-800-851-8900

In Canada 1-800-267-2826

Web site address: [www.hamiltonbeach.com](http://www.hamiltonbeach.com)

**KEEP THESE NUMBERS FOR FUTURE REFERENCE!**

HAMILTON BEACH ♦ PROCTOR-SILEX, INC.  
263 Yadkin Road  
Southern Pines, NC 28387

PROCTOR-SILEX CANADA, INC.  
Picton, Ontario K0K 2T0

840086600

Web site address: [www.hamiltonbeach.com](http://www.hamiltonbeach.com)

5/01

## Free Manuals Download Website

<http://myh66.com>

<http://usermanuals.us>

<http://www.somanuals.com>

<http://www.4manuals.cc>

<http://www.manual-lib.com>

<http://www.404manual.com>

<http://www.luxmanual.com>

<http://aubethermostatmanual.com>

Golf course search by state

<http://golfingnear.com>

Email search by domain

<http://emailbydomain.com>

Auto manuals search

<http://auto.somanuals.com>

TV manuals search

<http://tv.somanuals.com>