

READ BEFORE USE
LIRE AVANT UTILISATION
LEA ANTES DE USAR

Visit www.hamiltonbeach.com for our complete line of products and Use and Care Guides – as well as delicious recipes, tips, and to register your product online!

Rendez-vous sur www.hamiltonbeach.ca pour notre liste complète de produits et de nos manuels utilisateur – ainsi que nos délicieuses recettes, nos conseils et pour enregistrer votre produit en ligne !

¡Visite www.hamiltonbeach.com.mx para obtener nuestra línea completa de productos y las Guías de Uso y Cuidado, además de deliciosas recetas, consejos y para registrar su producto en línea!

Questions?
Please call us – our friendly associates are ready to help.
USA: 1.800.851.8900

Questions ?
N'hésitez pas à nous appeler – nos associés s'empresseront de vous aider.
CAN : 1.800.267.2826

¿Preguntas?
Por favor llámenos – nuestros amables representantes están listos para ayudar.
MEX: 01 800 71 16 100
Le invitamos a leer cuidadosamente este instructivo antes de usar su aparato.

**Hamilton
Beach®**

Stovetop-Safe Programmable Slow Cooker

*Mijoteuse programmable sécuritaire
sur la cuisinière*

*Olla de Cocción Lenta
Programable Segura para
la Estufa*



English 2
Français 17
Español 31

IMPORTANT SAFEGUARDS

When using electrical appliances, basic safety precautions should always be followed to reduce the risk of fire, electric shock, and/or injury to persons, including the following:

1. Read all instructions.
2. Do not touch hot surfaces. Use handles or knobs with oven mitts when cooking as they may be hot.
3. To protect against electric shock, do not immerse cord, plug, or base in water or other liquid.
4. Close supervision is necessary when any appliance is used by or near children.
5. Unplug from outlet when not in use and before cleaning. Allow to cool before putting on or taking off parts.
6. Do not operate any appliance with a damaged cord or plug, or after the appliance malfunctions or is dropped or damaged in any manner. Call our toll-free customer service number for information on examination, repair, or adjustment.
7. The use of accessory attachments not recommended by the appliance manufacturer may cause injuries.
8. Do not use outdoors.
9. Do not let cord hang over edge of table or counter, or touch hot surfaces, including stove.
10. Do not place base on or near a hot gas or electric burner or in a heated oven.
11. Extreme caution must be used when moving an appliance containing hot oil or other hot liquids.
12. To disconnect slow cooker, turn control knob to OFF (O); then remove plug from wall outlet.
13. **CAUTION:** To prevent damage or shock hazard, do not cook in base. Cook only in removable stovetop-safe cookware.
14. Avoid sudden temperature changes, such as adding refrigerated foods into heated stovetop-safe cookware.
15. Do not use appliance for other than intended use.

SAVE THESE INSTRUCTIONS!

Other Consumer Safety Information

This product is intended for household use only.

This product is only intended for the preparation, cooking, and serving of foods. This product is not intended for use with any non-food materials or products.

WARNING! Shock Hazard: This appliance has a polarized plug (one wide blade) that reduces the risk of electric shock. The plug fits only one way into a polarized outlet. Do not defeat the safety purpose of the plug by modifying the plug in any way or by using an adapter. If the plug does not fit fully into the outlet, reverse the plug. If it still does not fit, have an electrician replace the outlet.

The length of the cord used on this appliance was selected to reduce the hazards of becoming tangled in or tripping over a longer cord. If a longer cord is necessary, an approved extension cord may be used. The electrical rating of the extension cord must be equal to or greater than the rating of the appliance. Care must be taken to arrange the extension cord so that it will not drape over the counter-top or tabletop where it can be pulled on by children or accidentally tripped over.

GLASS LID AND STOVETOP-SAFE COOKWARE: PRECAUTIONS AND INFORMATION

- Please handle lid and stovetop-safe cookware carefully to ensure long life.
- Avoid sudden, extreme temperature changes to the lid. For example, do not place a hot lid into cold water or onto a wet surface.
- Avoid hitting lid against faucet or other hard surfaces.
- Do not use lid if chipped, cracked, or severely scratched.
- Do not use abrasive cleansers or metal scouring pads.
- The stovetop-safe cookware is ovenproof. The lid is not ovenproof.
- Never heat stovetop-safe cookware when empty.
- Never place lid or stovetop-safe cookware in microwave oven or toaster oven.
- Never place lid directly on a burner or stovetop.
- Never use lid or stovetop-safe cookware under a broiler.

REMOVING GLASS LID AND STOVETOP-SAFE COOKWARE

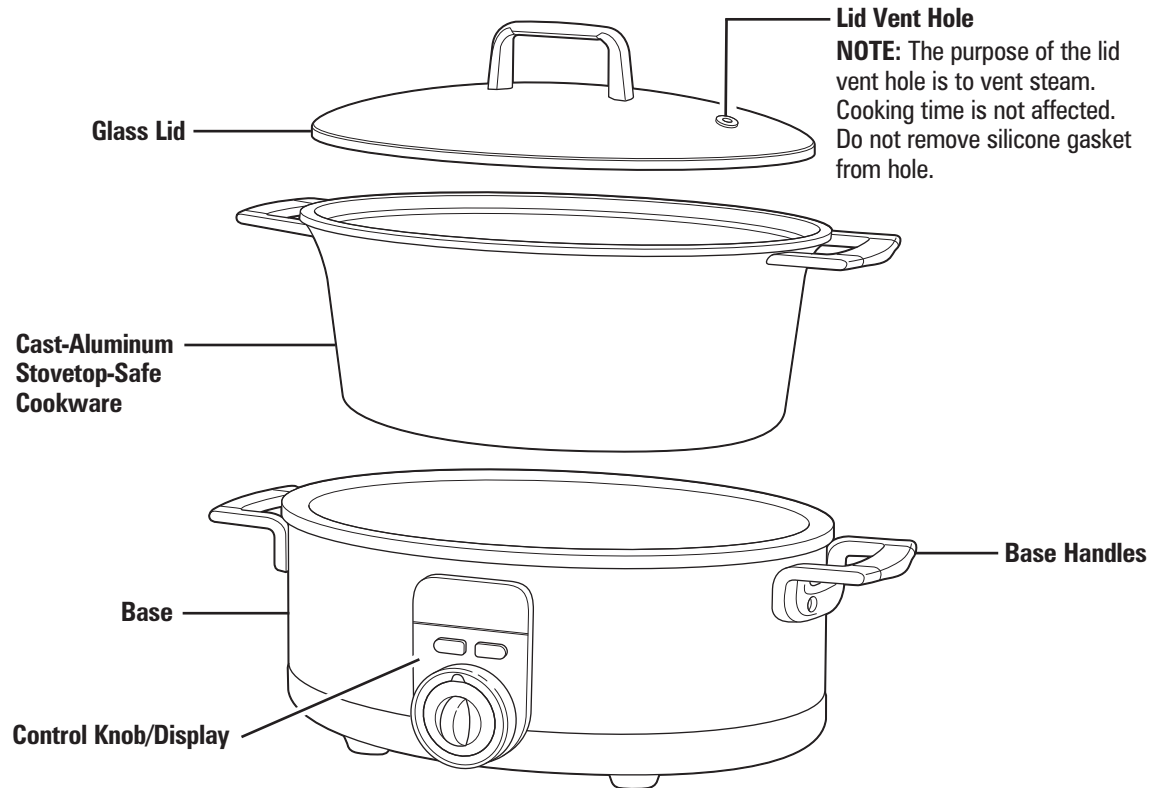
When removing lid, tilt so that opening faces away from you to avoid being burned by steam.

The lid handles, base, and stovetop-safe cookware, as well as the sides of slow cooker base, all become very warm during cooking. Always use oven mitts when handling **ANY** part of the slow cooker during cooking.

Parts and Features

Stovetop-Safe Cookware Capacity

For best results, fill the stovetop-safe cookware at least half full but no more than one inch from the rim. If only half-filled, check for doneness 1 to 2 hours earlier than recipe time.



Lid Vent Hole

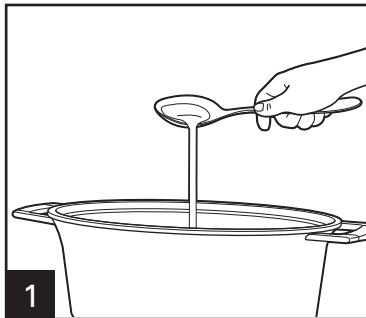
NOTE: The purpose of the lid vent hole is to vent steam. Cooking time is not affected. Do not remove silicone gasket from hole.



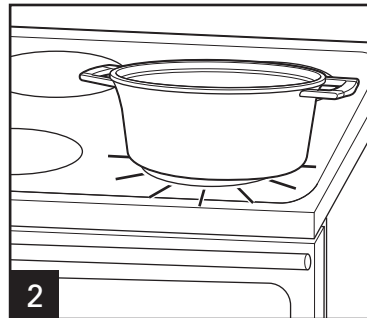
How to Sear in Stovetop-Safe Cookware

BEFORE FIRST USE: Wash lid and stovetop-safe cookware in hot, soapy water. Rinse and dry.

NOTE: Do not use metal utensils when placing food in and removing food from stovetop-safe cookware.

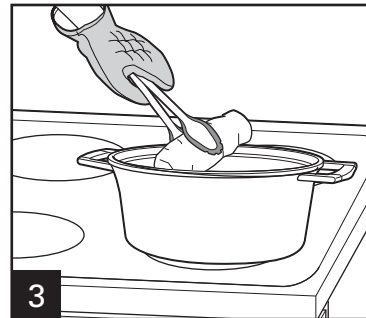


Add oil to stovetop-safe cookware.

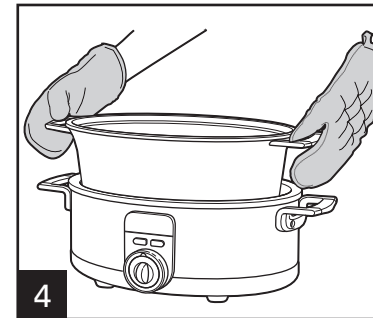


Heat oil on stovetop over medium to high heat.

NOTICE: Do not heat stovetop-safe cookware when empty since cooking surface and/or stovetop-safe cookware may be damaged.



Place food to be seared into stovetop-safe cookware.



When finished searing, follow recipe or carefully place stovetop-safe cookware in base. Proceed to "How to Slow Cook" section.

5

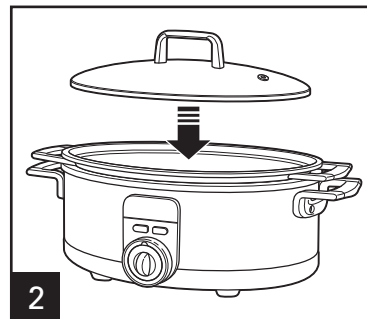
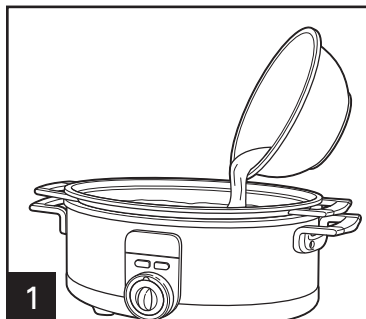
How to Slow Cook

BEFORE FIRST USE: Wash lid and stovetop-safe cookware in hot, soapy water. Rinse and dry.

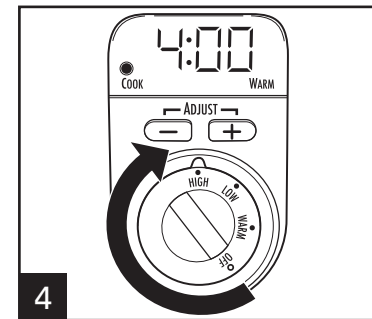
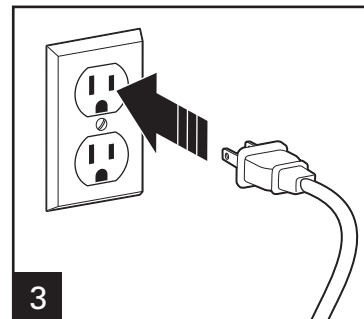
NOTES:

- Do not use metal utensils when placing food in and removing food from stovetop-safe cookware.
- Display does not show any text other than "Err" and "OFF." When control knob is set, display will show set cook time and the cooking time digits blink before cooking starts. After cooking starts, display will show remaining cook time and the cooking LED light will remain lit.

⚠ WARNING Food Safety Hazard. Food must be hot enough to prevent bacterial growth before using WARM setting. The WARM setting should only be used after a recipe has been thoroughly cooked. Do not reheat food on WARM setting. If food has been cooked and then refrigerated, reheat it on LOW or HIGH and then switch to WARM. Visit foodsafety.gov for more information.



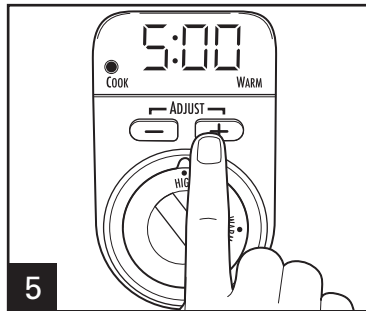
NOTE: Lid vent hole will not affect cooking time.



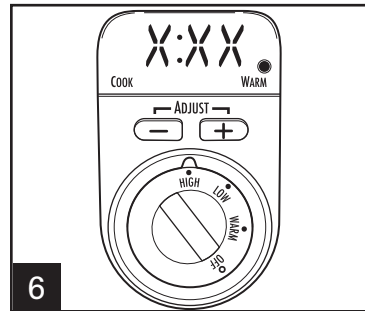
Turn control knob to desired heat setting to cook. Do not cook on WARM.

NOTE: Display will show default cook time.

How to Slow Cook (cont.)

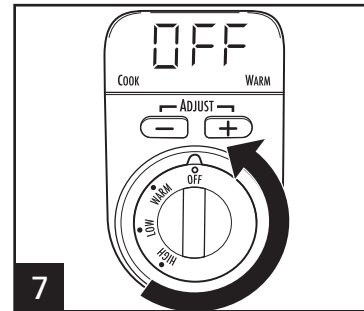


5 Press the + or - buttons to select desired cooking time.

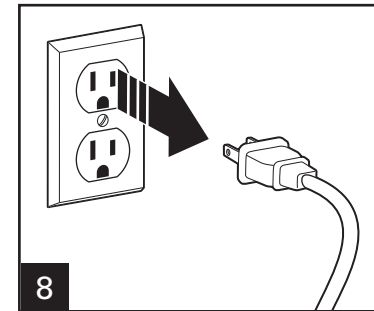


6 At the end of cooking time, the slow cooker will automatically switch to WARM setting, but the knob will NOT automatically rotate to WARM.

NOTE: Cook time plus warm time cannot exceed 14 hours. When the unit switches to WARM, the display (X:XX) will show how much time is remaining of the 14 hours.



7 **NOTE:** The slow cooker will automatically shut OFF if left on for a total of 14 hours. The unit will be OFF, the display will show "OFF," but the control knob will NOT turn to OFF/O.



8

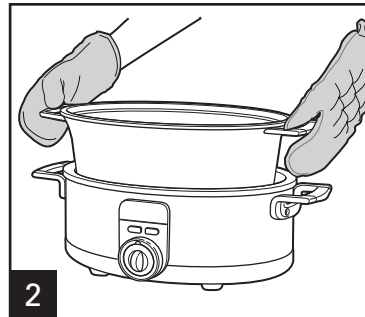
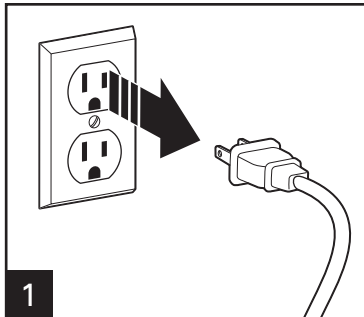
Care and Cleaning



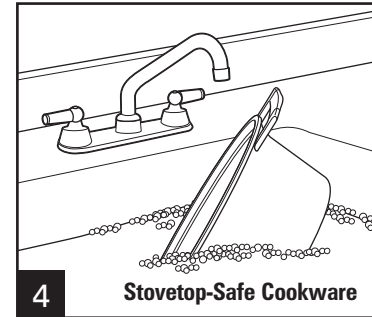
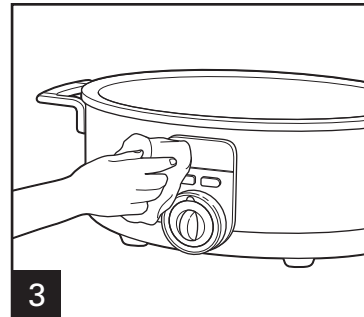
WARNING Electrical Shock Hazard.

Disconnect power before cleaning.

Do not immerse cord, plug, or base in any liquid.

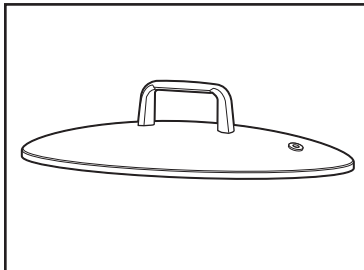


Remove stovetop-safe cookware and let cool.



Wash stovetop-safe cookware in hot, soapy water.

NOTICE: Do not use metal utensils or abrasive cleansers when cleaning stovetop-safe cookware's nonstick surface.



DISHWASHER-SAFE

DO NOT use the "SANI" setting when washing in the dishwasher. "SANI" cycle temperatures could damage your product.

8

Tips for Slow Cooking

- The stovetop-safe cookware should be at least half-filled for best results. If only half-filled, check for doneness 1 to 2 hours earlier than recipe time.
- Stirring is not necessary when slow cooking. Removing glass lid results in major heat loss and the cooking time may need to be extended. However, if cooking on HIGH, you may want to stir occasionally.
- If cooking soups or stews, leave a 2-inch (5-cm) space between the top of the stovetop-safe cookware and the food so that the recipe can come to a simmer.
- Many recipes call for cooking all day. If your morning schedule doesn't allow time to prepare a recipe, do it the night before. Place all ingredients in stovetop-safe cookware, cover with lid, and refrigerate overnight. In the morning, simply place stovetop-safe cookware in slow cooker.
- Some foods are not suited for extended cooking in a slow cooker. Pasta, seafood, milk, cream, or sour cream should be added 2 hours before serving. Evaporated milk or condensed soups are perfect for slow cooking.
- The higher the fat content of meat, the less liquid is needed. If cooking meat with a high fat content, place thick onion slices underneath so meat will not sit on (and cook in) fat.
- Slow cookers allow for very little evaporation. If making your favorite soup, stew, or sauce, reduce liquid called for in original recipe. If too thick, liquid can be added later.
- If cooking a vegetable-type casserole, there will need to be liquid in the recipe to prevent scorching on the sides of stovetop-safe cookware.
- If cooking a recipe with root vegetables, place root vegetables in the bottom of the stovetop-safe cookware.

Food Safety Tips

- Do not use frozen, uncooked meat in the slow cooker. Thaw any meat or poultry before slow cooking.
- Visit www.foodsafety.gov for more information on safe internal cooking temperatures.
- To store leftovers after cooking, do NOT place the stovetop-safe cookware in the refrigerator since contents will take too long to cool. Instead, divide leftovers into smaller containers and place into refrigerator.
- Never allow undercooked or raw meat to sit at room temperature in the slow cooker. Once meat is placed into the stovetop-safe cookware, it should be cooked immediately (unless prepping slow cooker the night before, where stovetop-safe cookware should be placed into the refrigerator).

IF YOU LIVE IN A HIGH-ALTITUDE AREA:

The Extension service will have detailed information about cooking for your area. To locate the Cooperative Extension service in your county, please visit: <http://www.csrees.usda.gov/Extension/>.

Recipes

For best results, fill the stovetop-safe cookware at least half full but no more than one inch from rim. Always follow package directions. Visit foodsafety.gov for more safe cooking temperature information.

NOTE: This recipe was developed for slow cooker with stovetop-safe insert. If you do not have a slow cooker with a stovetop-safe crock, a separate pan must be used for browning.

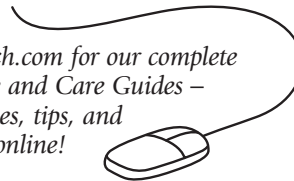
Quick Slow Cooker Chicken Cacciatore

3–4 pounds (1.34–1.8 kg) chicken pieces
1/2–1 teaspoon (2.5–5 ml) salt
1/2 teaspoon (2.5 ml) fresh ground pepper
2 tablespoons (30 ml) extra virgin olive oil
2 yellow onions, chopped
1 1/2 24 oz. (750 ml) jars pasta sauce
1 pound (450 g) fettuccini noodles

1. Season chicken pieces with salt and pepper.
2. Heat 1 tablespoon (15 ml) of olive oil in stovetop-safe cookware over medium-high heat.
3. Brown seasoned chicken well on all sides, in batches if necessary.
4. Remove chicken from stovetop-safe cookware and set aside.
5. Add remaining olive oil to stovetop-safe cookware and cook onion until soft, about 3 minutes.
6. Add chicken back to stovetop-safe cookware with onion.
7. Pour pasta sauce over chicken.
8. Cover, place stovetop-safe cookware on slow cooker base, and cook on HIGH for 4 hours or LOW for 8 hours.
9. Cook pasta according to package directions. Serve chicken and sauce with pasta.

Serves 8–10

Visit www.hamiltonbeach.com for our complete line of products and Use and Care Guides – as well as delicious recipes, tips, and to register your product online!



Recipes (cont.)

For best results, fill the stovetop-safe cookware at least half full but no more than one inch from rim. Always follow package directions. Visit foodsafety.gov for more safe cooking temperature information.

NOTE: This recipe was developed for slow cooker with stovetop-safe insert. If you do not have a slow cooker with a stovetop-safe crock, a separate pan must be used for browning.

Chicken Stew With Biscuits

8 boneless chicken breasts, cubed
2–4 tablespoons (30–60 ml) extra virgin olive oil, divided
1 teaspoon (5 ml) salt
1/2 teaspoon (2.5 ml) fresh ground pepper

2 large yellow onions, chopped
2 cups (500 ml) chicken stock, divided
1/3 cup (80 ml) butter, softened
3 tablespoons (45 ml) all-purpose flour
6 carrots, peeled and sliced

16-ounce (450 g) package frozen peas
1/2 cup (125 ml) heavy cream
12–18 refrigerator biscuits
4 fresh thyme sprigs

1. Season chicken cubes with salt and pepper.
2. Heat 1 tablespoon (15 ml) olive oil in stovetop-safe cookware over medium heat and brown chicken cubes, in batches, on all sides. Use additional olive oil between batches if necessary. Remove browned chicken from stovetop-safe cookware and set aside.
3. Add any remaining olive oil to stovetop-safe cookware and cook onions until translucent and slightly browned.
4. Add chicken to onions in stovetop-safe cookware.
5. Add 1 cup (250 ml) chicken stock and combine.
6. Place thyme sprigs on top of mixture, cover, and place stovetop-safe cookware in slow cooker base. Cook on HIGH for 3 hours or LOW for 6 hours.
7. Combine softened butter with flour.
8. Remove stovetop-safe cookware from base and place on stovetop. Over medium heat, add butter/flour mixture and stir.
9. Stir in remaining 1 cup (250 ml) of chicken stock and cook until stew is thickened.
10. Remove from heat and stir in carrots.
11. Return to slow cooker base and cook on HIGH for 30 minutes or LOW for 1 hour.
12. Preheat oven to 375°F (190°C).
13. Remove stovetop-safe cookware from base and place on stovetop. Over medium heat, add frozen peas and cream. Heat to boiling, remove from heat, and season to taste with salt and pepper.
14. Place refrigerated biscuits on top of hot chicken stew.
15. Place in preheated oven and bake, uncovered, for 25–30 minutes or until biscuits are browned and cooked through. Serve immediately.

Serves 12–15

Recipes (cont.)

For best results, fill the stovetop-safe cookware at least half full but no more than one inch from rim. Always follow package directions. Visit foodsafety.gov for more safe cooking temperature information.

NOTE: This recipe was developed for slow cooker with stovetop-safe insert. If you do not have a slow cooker with a stovetop-safe crock, a separate pan must be used for browning.

Pork Roast With Apples, Sage, and Rosemary

6–8 Granny Smith apples, peeled, cored, and cut into large pieces
1 tablespoon (15 ml) lemon juice
3–4 pound (1.34–1.8 kg) boneless or center rib pork roast
1/2–1 teaspoon (2.5–5 ml) salt
1/2 teaspoon (2.5 ml) pepper
1 tablespoon (15 ml) extra virgin olive oil
2 red onions, cut into wedges
1 fresh sage sprig
1 fresh rosemary sprig

1. Toss apples with lemon juice. Set aside.
2. Season roast with salt and pepper.
3. Heat olive oil in stovetop-safe cookware over medium-high heat. Brown roast well on all sides and remove from heat. Remove roast from stovetop-safe cookware and set aside.
4. Add 1/2 of onions to pan and stir to brown slightly with residual heat from stovetop-safe cookware.
5. Place roast on top of onions in stovetop-safe cookware. Surround roast with apples and remaining onions.
6. Place sage and rosemary sprigs on top of roast.
7. Cover, place stovetop-safe cookware in base, and cook on HIGH for 4 hours or LOW for 7–8 hours.
8. Discard rosemary and sage sprigs.
9. Remove roast to serving platter and cover with foil to keep warm.
10. Place stovetop-safe cookware with apple and onion mixture on stovetop over medium-high heat and bring to a boil. Reduce heat and simmer gently for approximately 10 minutes or until applesauce thickens. Stir occasionally. Slice pork roast and serve with applesauce.

Serves 10–12

Recipes (cont.)

For best results, fill the stovetop-safe cookware at least half full but no more than one inch from rim. Always follow package directions. Visit foodsafety.gov for more safe cooking temperature information.

NOTE: This recipe was developed for slow cooker with stovetop-safe insert. If you do not have a slow cooker with a stovetop-safe crock, a separate pan must be used for browning.

Beef Roast With Vegetables and Thyme Gravy

3–4 pound (1.34–1.8 kg) bottom round beef roast
1/2–1 teaspoon (2.5–5 ml) salt
1/2 teaspoon (2.5 ml) pepper
2 tablespoons (30 ml) extra virgin olive oil
1 large onion, cut in wedges
3 garlic cloves, smashed and peeled
8 baby red potatoes

8 baby white potatoes
3 carrots, sliced
1/2 cup (125 ml) beef broth
4 sprigs fresh thyme
3/4 cup (175 ml) water
1/4 cup (60 ml) all-purpose flour
1 tablespoon (15 ml) butter, optional

1. Season beef roast with salt and pepper.
2. Heat olive oil in stovetop-safe cookware over medium-high heat and brown roast well on all sides. Remove from heat. Remove roast from stovetop-safe cookware and set aside.
3. Place onion and garlic in stovetop-safe cookware and brown lightly with residual heat from stovetop-safe cookware.
4. Place roast on top of onion and garlic in stovetop-safe cookware. Surround roast with potatoes and carrots.
5. Pour broth over all and top with thyme sprigs.
6. Cover, place stovetop-safe cookware on slow cooker base, and cook on HIGH for 4 hours or LOW for 8 hours.
7. Remove roast to serving platter. Discard thyme sprigs. Using slotted spoon, remove vegetables to serving platter with roast. Cover with foil to keep warm.
8. Place stovetop-safe cookware back on stovetop over medium heat and bring pan juices to a boil.
9. Whisk together flour and water. Add to pan juices and simmer, stirring constantly until thickened.
10. Season gravy to taste with salt and pepper. Finish by adding butter, if desired, stirring until melted. Serve gravy with roast and vegetables.

Serves 10–12

Troubleshooting

PROBLEM

PROBABLE CAUSE

Food is undercooked.

- Was food cooked on the Warm setting? Do not cook on Warm; always cook on Low or High heat settings.
- Was power interrupted?
- Did you select the Low heat setting but used a cooking time based on the High heat setting?
- Did you have the lid placed correctly on the slow cooker?

The food isn't done after cooking the amount of time recommended in my recipe.

- This can be due to voltage variations (which are commonplace everywhere) or altitude. The slight fluctuations in power do not have a noticeable effect on most appliances. However, they can alter cooking times in the slow cooker by extending the cooking times. Allow sufficient time and select the appropriate heat setting. You will learn through experience if a shorter or longer time is needed.
NOTE: Lid vent hole will not affect cooking time.

My meal was overcooked. Why?

- Was the stovetop-safe cookware at least half full? The slow cooker has been designed to thoroughly cook food in filled stovetop-safe cookware. If the stovetop-safe cookware is only half-filled, check for doneness 1 to 2 hours earlier than recipe time.
- Did you select correct number of hours based on cooking temperature (Low or High)?
- Foods will continue to increase in temperature after desired temperature has been reached.
- Was the stovetop-safe cookware used to brown foods on the stovetop and placed in base while still hot? If so, cooking time may be shortened. Check for doneness 30 minutes to 1 hour earlier than recipe time.

Display shows "Err" and food is not cooked.

- Was power interrupted during cooking (due to brownout, electrical storm, etc.)? Please check if food is still safe to prepare and eat; then turn the control knob or press any button. The slow cooker will turn ON.

Notes

Limited Warranty

This warranty applies to products purchased and used in the U.S. and Canada. This is the only express warranty for this product and is in lieu of any other warranty or condition.

This product is warranted to be free from defects in material and workmanship for a period of one (1) year from the date of original purchase. During this period, your exclusive remedy is repair or replacement of this product or any component found to be defective, at our option; however, you are responsible for all costs associated with returning the product to us and our returning a product or component under this warranty to you. If the product or component is no longer available, we will replace with a similar one of equal or greater value.

This warranty does not cover glass, filters, wear from normal use, use not in conformity with the printed directions, or damage to the product resulting from accident, alteration, abuse, or misuse. This warranty extends only to the original consumer purchaser or gift recipient. Keep the original sales receipt, as proof of purchase is required to make a warranty claim. This warranty is void if the product is used for other than single-family household use or subjected to any voltage and waveform other than as specified on the rating label (e.g., 120V ~ 60 Hz).

We exclude all claims for special, incidental, and consequential damages caused by breach of express or implied warranty. All liability is limited to the amount of the purchase price. **Every implied warranty, including any statutory warranty or condition of merchantability or fitness for a particular purpose, is disclaimed except to the extent prohibited by law, in which case such warranty or condition is limited to the duration of this written warranty.** This warranty gives you specific legal rights. You may have other legal rights that vary depending on where you live. Some states or provinces do not allow limitations on implied warranties or special, incidental, or consequential damages, so the foregoing limitations may not apply to you.

To make a warranty claim, do not return this appliance to the store. Please call 1.800.851.8900 in the U.S. or 1.800.267.2826 in Canada or visit hiltonbeach.com in the U.S. or hiltonbeach.ca in Canada. For faster service, locate the model, type, and series numbers on your appliance.

PRÉCAUTIONS IMPORTANTES

Au moment d'utiliser des appareils électriques, on doit toujours respecter les règles de sécurité élémentaires afin de minimiser les risques d'incendie, d'électrocution et des blessures, notamment celles qui suivent :

1. Lire toutes les instructions.
2. Ne pas toucher aux surfaces chaudes. Utiliser des gants de cuisson pour manipuler les poignées ou boutons pendant le fonctionnement de la mijoteuse.
3. Pour éviter les risques d'électrocution, ne pas immerger le cordon, la fiche ou la base dans l'eau ou tout autre liquide.
4. L'utilisation de tout appareil par ou près des enfants exige une surveillance accrue.
5. Débrancher de la prise murale dès la fin de l'utilisation et avant le nettoyage. Laisser refroidir l'appareil avant d'installer ou retirer des pièces.
6. N'utiliser aucun appareil dont le cordon ou la prise est endommagé, ou à la suite de toute anomalie de fonctionnement de l'appareil, d'une chute ou de tout autre dommage. Appeler notre numéro sans frais de service à la clientèle pour des renseignements concernant l'examen, la réparation ou l'ajustement.
7. L'utilisation de tout accessoire auxiliaire contre-indiqué par le fabricant de l'appareil peut causer des blessures.
8. Ne pas utiliser à l'extérieur.
9. Ne pas laisser pendre le cordon de la table ou du comptoir et éviter tout contact entre le cordon et les surfaces chaudes incluant la cuisinière.
10. Ne pas placer sur ou près de surfaces chaudes comme un brûleur électrique ou à gaz ou dans un four chaud.
11. Une très grande prudence doit être exercée lors du déplacement de tout appareil contenant des huiles ou des liquides chauds.
12. Pour débrancher la mijoteuse, mettre l'appareil hors tension en le bouton de commande à « OFF » (arrêt/O) puis débrancher la fiche de la prise murale.
13. **MISE EN GARDE** : Pour éviter les dommages et le risque d'électrocution, ne pas cuire dans la base. Cuire uniquement dans le récipient amovible sécuritaire sur la cuisinière.
14. Éviter les écarts de températures brusques comme l'ajout d'aliments réfrigérés dans le récipient chaud sécuritaire sur la cuisinière.
15. N'utiliser cet appareil que pour les fonctions auxquelles il est destiné.

CONSERVER CES INSTRUCTIONS !

Autres consignes de sécurité pour le consommateur

Cet appareil est conçu pour une utilisation domestique seulement.

Cet appareil est conçu uniquement pour la préparation, la cuisson et servir des aliments. Cet appareil n'est pas conçu pour l'utilisation de matériaux ou produits non alimentaires.

AVERTISSEMENT ! Risque d'électrocution : Cet appareil électroménager possède une fiche polarisée (une broche large) qui réduit le risque d'électrocution. Cette fiche n'entre que dans un seul sens dans une prise polarisée. Ne contrecarrez pas l'objectif sécuritaire de cette fiche en la modifiant de quelque manière que ce soit ou en utilisant un adaptateur. Si vous ne pouvez pas insérer complètement la fiche dans la prise, inversez la fiche. Si elle refuse toujours de s'insérer, faire remplacer la prise par un électricien.

La longueur du cordon installé sur cet appareil a été sélectionnée afin de réduire les risques d'enchevêtrement ou de faux pas causés par un fil trop long. L'utilisation d'une rallonge approuvée est permise si le cordon est trop court. Les caractéristiques électriques de la rallonge doivent être équivalentes ou supérieures aux caractéristiques de l'appareil. Prendre toutes les précautions nécessaires pour installer la rallonge de manière à ne pas la faire courir sur le comptoir ou sur une table pour éviter qu'un enfant ne tire sur le cordon ou trébuche accidentellement.

COUVERCLE EN VERRE ET RÉCIPIENT SÉCURITAIRE SUR LA CUISINIÈRE : PRÉCAUTIONS ET INFORMATION

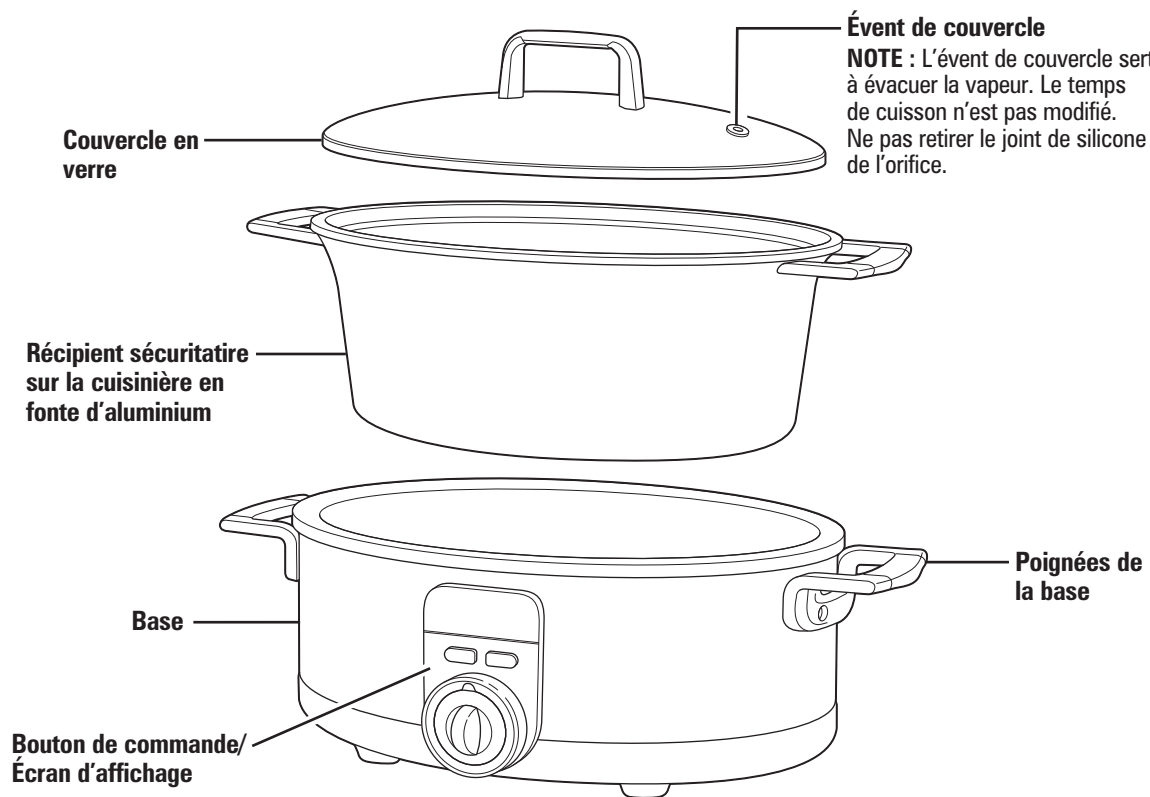
- Veuillez manipuler le couvercle et le récipient sécuritaire sur la cuisinière avec soins pour assurer leur durée de vie maximale.
- Éviter d'exposer le couvercle à des écarts de température extrêmes. Par exemple, ne pas plonger le couvercle chaud dans l'eau froide ou le placer sur une surface mouillée.
- Éviter de frapper le couvercle sur le robinet ou sur des surfaces dures.
- Ne pas utiliser un couvercle ébréché, craqué ou sévèrement rayé.
- Ne pas utiliser de nettoyeurs abrasifs ou de tampons à recurer métalliques.
- Le récipient sécuritaire sur la cuisinière peuvent être placés au four. Le couvercle ne va pas au four.
- Ne jamais faire chauffer le récipient sécuritaire sur la cuisinière à vide.
- Ne jamais placer le couvercle ou le récipient sécuritaire sur la cuisinière au four à micro-ondes ou au four grille-pain.
- Ne jamais placer le couvercle directement sur un brûleur ou sur la cuisinière.
- Ne jamais placer le couvercle ou le récipient sécuritaire sur la cuisinière sous le gril.

RETRAIT DU COUVERCLE EN VERRE ET DU RÉCIPIENT SÉCURITAIRE SUR LA CUISINIÈRE

Soulever le couvercle de façon à diriger les vapeurs loin de votre visage pour éviter de vous brûler avec la vapeur.

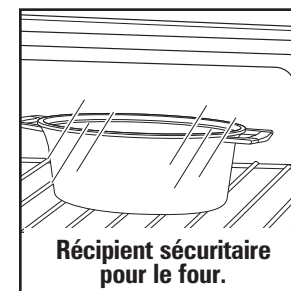
Les poignées de couvercle, la base et le récipient sécuritaire sur la cuisinière ainsi que les parois de la base de la mijoteuse seront très chauds pendant la cuisson. Utiliser toujours des gants de cuisson pour manipuler **TOUTE** partie de la mijoteuse pendant la cuisson.

Pièces et caractéristiques



Capacité du récipient sécuritaire sur la cuisinière

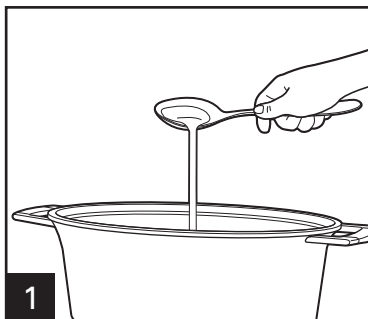
Pour des résultats optimaux, remplir le récipient sécuritaire sur la cuisinière à la moitié de sa capacité ou jusqu'à 2,5 cm (1 po) du rebord. Si le récipient est rempli à la moitié de sa capacité, vérifier la cuisson de 1 à 2 heures avant la fin du temps de cuisson recommandé par la recette.



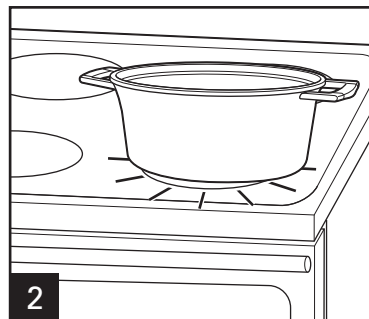
Saisie des viandes dans le récipient sécuritaire sur la cuisinière

AVANT LA PREMIÈRE UTILISATION : Laver le couvercle et le récipient sécuritaire sur la cuisinière avec de l'eau chaude savonneuse. Rincer et assécher.

REMARQUE : Ne pas utiliser d'ustensiles métalliques pour placer ou retirer des aliments du récipient sécuritaire sur la cuisinière.

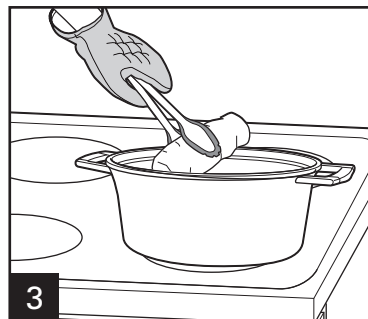


1
Ajouter de l'huile dans le récipient sécuritaire sur la cuisinière.

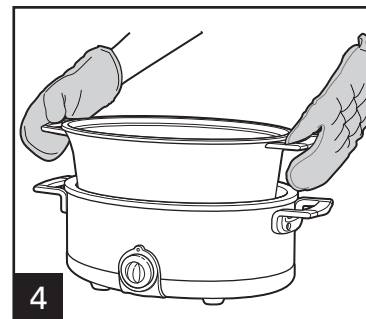


2
Chauffer l'huile à feu moyen fort sur la table de cuisson.

AVIS : Ne pas faire chauffer le récipient sécuritaire sur la cuisinière lorsqu'il est vide pour éviter d'endommager la surface de cuisson du récipient et le récipient sécuritaire sur la cuisinière.



3
Placer les aliments à saisir dans le récipient sécuritaire sur la cuisinière.



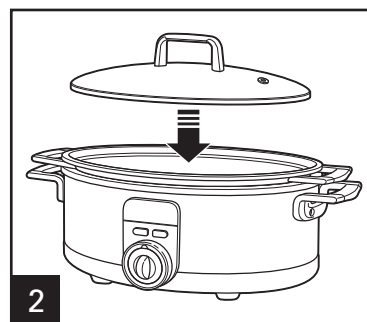
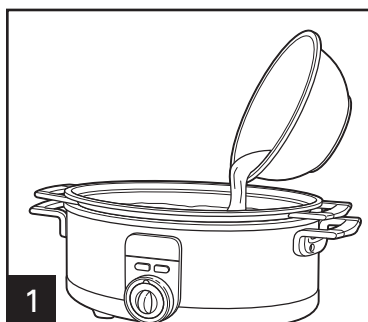
4
Lorsque la saisie est terminée, suivre la recette et placer délicatement le récipient sécuritaire sur la cuisinière dans la base. Suivre les étapes du chapitre « Cuisson à la mijoteuse ».

Cuisson à la mijoteuse

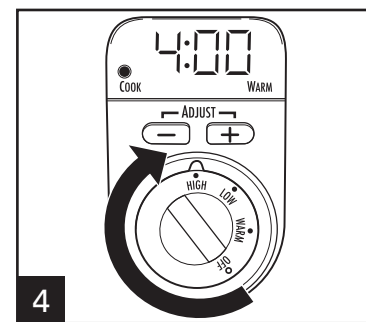
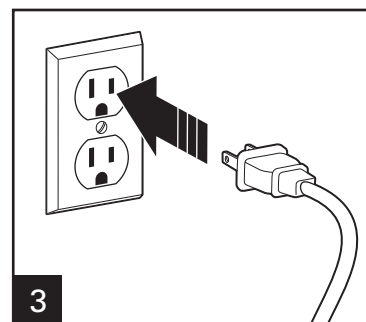
AVANT LA PREMIÈRE UTILISATION : Laver le couvercle et le récipient sécuritaire sur la cuisinière avec de l'eau chaude savonneuse. Rincer et assécher.

REMARQUE :

- Ne pas utiliser d'ustensiles métalliques pour placer ou retirer des aliments du récipient sécuritaire sur la cuisinière.
- L'écran d'affichage n'affiche que les mots « Err » et « OFF ». Lorsque le bouton de commande est réglé, l'écran affichera le temps de cuisson réglé et les chiffres du temps de cuisson clignoteront avant le début de la cuisson. Une fois la cuisson commencée, l'écran d'affichage indique le temps de cuisson restant et le témoin DEL de cuisson est fixe.



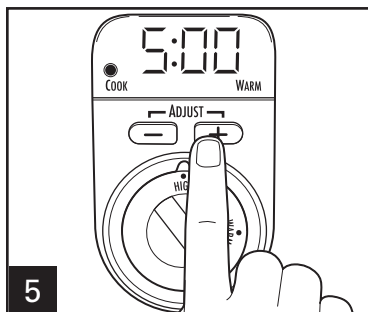
NOTE : L'évent du couvercle ne modifie pas le temps de cuisson.



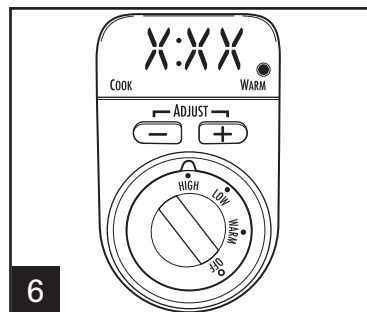
Tourner le bouton de commande à la température de cuisson désirée. Ne pas cuire en utilisant le mode de WARM (chaud).

REMARQUE : L'afficheur indiquera le temps de cuisson par défaut.

Cuisson à la mijoteuse (suite)

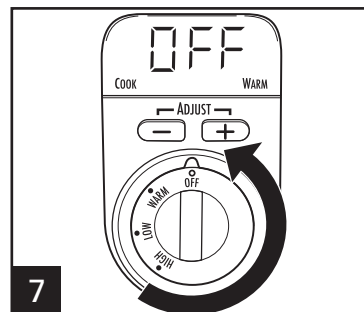


5 Appuyer sur le bouton + ou – pour choisir la durée de cuisson désirée.

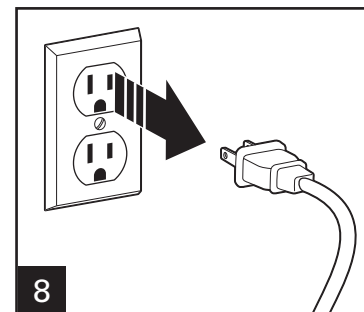


6 À la fin du temps de cuisson, la mijoteuse retourne automatiquement au réglage de garde au chaud, mais le bouton n'effectuera pas un retour automatique vers le réglage de garde au chaud.

REMARQUE : Les durées de cuisson et de garde au chaud ne peuvent excéder 14 heures. Lorsque l'appareil retourne au réglage de garde au chaud, l'afficheur (X:XX) indiquera le temps résiduel des 14 heures.



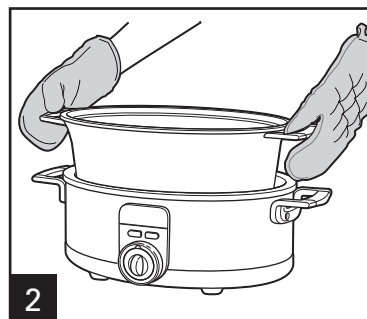
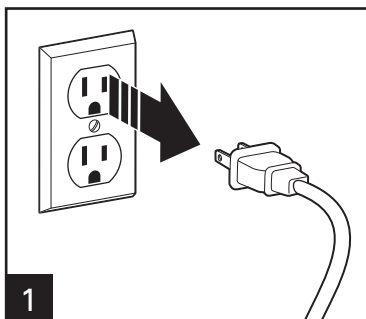
7 **REMARQUE :** La mijoteuse s'éteindra automatiquement si elle est sous tension pendant plus de 14 heures. L'appareil se mettra hors tension et l'écran d'affichage indiquera « OFF » (arrêt), mais le bouton de commande ne tournera pas à ARRÊT (OFF/O).



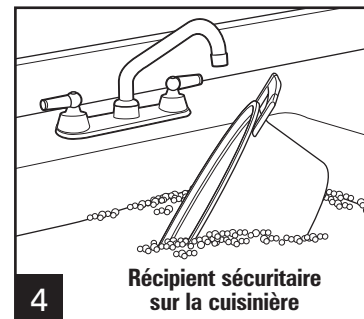
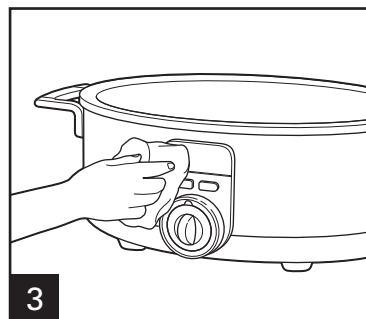
Entretien et nettoyage

⚠ AVERTISSEMENT Risque d'électrocution.

Débrancher l'appareil avant le nettoyage. Ne pas immerger le cordon, la fiche ou la base dans aucune liquide.



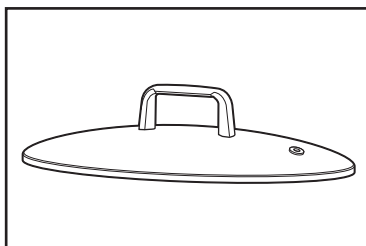
Retirer le récipient sécuritaire sur la cuisinière et laisser refroidir.



Récipient sécuritaire sur la cuisinière

Laver le récipient sécuritaire sur la cuisinière avec de l'eau chaude savonneuse.

AVIS : Ne pas utiliser d'ustensiles métalliques ou de poudres à récurer pour nettoyer la surface antiadhésive du récipient sécuritaire sur la cuisinière.



LAVABLE AU LAVE-VAISSELLE

NE PAS utiliser le réglage "SANI" du lave-vaisselle. Les températures du cycle "SANI" peuvent endommager le produit.

Conseils pour cuisson à la mijoteuse

- Pour de meilleurs résultats, remplir le pot d'aliments jusqu'à demi-hauteur. Si le pot est rempli à demi-hauteur, vérifier l'état de cuisson 1 à 2 heures avant l'achèvement du temps de cuisson indiqué dans la recette.
- Il n'est pas nécessaire de brasser les aliments dans le récipient sécuritaire sur la cuisinière. Le retrait du couvercle de votre entraîne une perte importante de chaleur, ce qui peut obliger à prolonger le temps de cuisson. Toutefois, si vous cuisez à température élevée, vous voudrez sans doute brasser les aliments de temps à autre.
- Pour la cuisson des potages et des ragoûts, laisser un espace d'environ 5 cm (2 po) jusqu'à la bordure du pot pour permettre aux aliments de récipient sécuritaire sur la cuisinière.
- Plusieurs recettes exigent toute une journée de cuisson. Si votre horaire du matin ne vous permet pas de préparer la recette, cuisez-la le soir précédent. Déposer tous les ingrédients dans le récipient sécuritaire sur la cuisinière, mettre le couvercle en place et réfrigérer toute la nuit. Le matin, déposer le récipient sécuritaire sur la cuisinière dans la base.
- Certains aliments ne se prêtent pas bien à une cuisson prolongée à la mijoteuse. Verser les pâtes, les fruits de mer, le lait, la crème ou la crème sûre dans la mijoteuse 2 heures avant de servir la recette. Le lait évaporé et les soupes concentrées se prêtent bien à la cuisson à la mijoteuse.
- Plus la teneur en gras dans la viande est élevée, moins il faut de liquide pour la recette. Lorsque vous cuisez des viandes à teneur élevée en gras, déposer des tranches d'oignons épaisses sous la viande pour éviter que la viande ne repose et ne cuise dans le gras.
- Peu d'évaporation se produit lors de cuisson à la mijoteuse. Lorsque vous préparez votre soupe, votre sauce ou votre ragoût préféré, réduire le volume de liquide indiqué dans la recette originale. Si le mélange est trop épais, vous pourrez ajouter du liquide éventuellement.
- Lorsque vous préparez une casserole de légumes, vous devrez ajouter du liquide à la recette pour éviter que le mélange ne brûle le long des parois du récipient sécuritaire sur la cuisinière.
- Pour des recettes comprenant des légumes-racine, placer ces derniers au fond de le récipient sécuritaire sur la cuisinière.

Conseils de sécurité pour la cuisson

- N'utiliser jamais de viande congelée, non cuite dans la mijoteuse. Dégeler toute viande ou toute volaille avant de la faire mijoter.
- Visiter le site www.foodsafety.gov pour plus d'information au sujet de la température de cuisson interne des aliments.
- Pour ranger les restes après la cuisson, ne PAS placer toute le récipient sécuritaire sur la cuisinière au réfrigérateur, car la durée de refroidissement sera trop longue. Séparer les restes en les déposants dans des petits contenants et placer au réfrigérateur.
- Ne jamais laisser reposer une viande insuffisamment cuite ou crue dans une mijoteuse à la température ambiante. La viande doit être cuite dès qu'elle est placée dans le récipient sécuritaire sur la cuisinière (sauf pour les préparations faites la veille et que le récipient sécuritaire a été placée au réfrigérateur).

SI VOUS HABITEZ DANS UNE RÉGION À HAUTE ALTITUDE :

Les services de vulgarisation offrent les informations au sujet de la cuisson pour votre région. Pour trouver la coopérative de services de vulgarisation, veuillez visiter le site <http://www.csrees.usda.gov/Extension/>.

Recettes

Pour des résultats optimaux, remplir le récipient sécuritaire sur la cuisinière jusqu'à mi-hauteur ou jusqu'à 2,5 cm (1 po) du rebord. Toujours respecter les instructions sur l'emballage. Visiter le site www.foodsafety.gov pour plus d'information au sujet de la température de cuisson interne des aliments.

REMARQUE : Cette recette a été élaborée pour une mijoteuse dotée d'un récipient sécuritaire sur la cuisinière. Si le récipient sécuritaire sur la cuisinière de la mijoteuse n'est pas conçu pour être utilisé sur la cuisinière, utiliser un autre poêlon pour saisir les aliments.

Poulet Cacciatore vite fait à la mijoteuse

1,34 à 1,8 kilo (3 à 4 lb) de morceaux de poulet

2,5 à 5 ml (1/2 à 1 cuillère à café) de sel

2,5 ml (1/2 cuillère à café) de poivre fraîchement moulu

30 ml (2 cuillères à soupe) d'huile d'olive extravierge

2 oignons jaunes, hachés

750 ml (1 1/2 pot 24 oz) de sauce pour pâtes

450 g (1 lb) de nouilles fettucine

1. Assaisonner les morceaux de poulet avec le sel et le poivre.
2. Chauffer 15 ml (1 cuillère à soupe) d'huile d'olive dans le récipient sécuritaire sur la cuisinière à feu moyen fort.
3. Bien brunir le poulet assaisonné de tous les côtés et en lot si nécessaire.
4. Retirer le poulet du récipient sécuritaire sur la cuisinière et mettre de côté.
5. Ajouter le reste d'huile d'olive dans le récipient sécuritaire sur la cuisinière et cuire les oignons jusqu'à tendreté, environ 3 minutes.
6. Remettre le poulet dans le récipient sécuritaire sur la cuisinière avec les oignons.
7. Verser la sauce pour pâtes sur le poulet.
8. Couvrir puis placer le récipient sécuritaire sur la cuisinière dans la base de la mijoteuse et cuire à haute intensité (HIGH) pendant 4 heures ou à basse intensité (LOW) pendant 8 heures.
9. Cuire les pâtes en respectant le mode d'emploi sur l'emballage. Servir le poulet et la sauce avec les pâtes.

8 à 10 portions

Rendez-vous sur www.hamiltonbeach.ca pour notre liste complète de produits et de nos manuels utilisateur – ainsi que nos délicieuses recettes, nos conseils et pour enregistrer votre produit en ligne !



Recettes (suite)

Pour des résultats optimaux, remplir le récipient sécuritaire sur la cuisinière jusqu'à mi-hauteur ou jusqu'à 2,5 cm (1 po) du rebord. Toujours respecter les instructions sur l'emballage. Visiter le site www.foodsafety.gov pour plus d'information au sujet de la température de cuisson interne des aliments.

REMARQUE : Cette recette a été élaborée pour une mijoteuse dotée d'un récipient sécuritaire sur la cuisinière. Si le récipient sécuritaire sur la cuisinière de la mijoteuse n'est pas conçu pour être utilisé sur la cuisinière, utiliser un autre poêlon pour saisir les aliments.

Ragoût de poulet et biscuits

8 poitrines de poulet désossées, en cubes
30 à 60 ml (2 à 4 cuillères à soupe) d'huile d'olive extravierge, divisée
5 ml (1 cuillère à café) de sel
2,5 ml (1/2 cuillère à café) de poivre fraîchement moulu

2 gros oignons jaunes, hachés
500 ml (2 tasses) de fond de poulet, divisé
80 ml (1/3 de tasse) de beurre, ramolli
45 ml (3 cuillères à soupe) de farine tout-usage
6 carottes, pelées et tranchées

450 g (16 oz) de pois surgelés
125 ml (1/2 tasse) de crème 35 %
12 à 18 biscuits réfrigérés
4 branches de thym frais

1. Assaisonner les cubes de poulet avec le sel et le poivre.
2. Chauffer 15 ml (1 cuillère à soupe) d'huile d'olive dans le récipient sécuritaire sur la cuisinière à feu moyen et brunir les cubes de poulet, en lot, de tous les côtés. Ajouter de l'huile d'olive entre les lots si nécessaire. Retirer le poulet brun du récipient sécuritaire sur la cuisinière et mettre de côté.
3. Ajouter le reste de l'huile d'olive dans le récipient sécuritaire sur la cuisinière et cuire les oignons jusqu'à ce qu'ils soient transparents et légèrement brunis.
4. Ajouter le poulet aux oignons dans le récipient sécuritaire sur la cuisinière.
5. Ajouter 250 ml (1 tasse) de fond de poulet et mélanger.
6. Déposer les branches de thym sur le mélange, couvrir et placer le récipient sécuritaire sur la cuisinière dans la base de la mijoteuse. Cuire à haute intensité (HIGH) pendant 3 heures ou à basse intensité (LOW) pendant 6 heures.
7. Combiner le beurre ramolli et la farine.
8. Retirer le récipient sécuritaire sur la cuisinière de la base et le placer sur la table de cuisson. À feu moyen, ajouter le mélange de beurre ramolli et farine et remuer.
9. Ajouter la deuxième portion de 250 ml (1 tasse) de fond de poulet en remuant et cuire jusqu'à épaississement du ragoût.
10. Retirer du feu et incorporer les carottes.
11. Remettre le récipient sécuritaire sur la cuisinière dans la base de la mijoteuse et cuire à haute intensité (HIGH) pendant 30 minutes ou à basse intensité (LOW) pendant 1 heure.
12. Préchauffer le four à 190 °C (375 °F).
13. Retirer le récipient sécuritaire sur la cuisinière de la base et le placer sur la table de cuisson. À feu moyen, ajouter les pois surgelés et la crème. Amener à ébullition, retirer du feu puis saler et poivrer au goût.
14. Placer les biscuits réfrigérés sur le dessus du ragoût de poulet chaud.
15. Placer au four préchauffé et cuire à découvert de 25 à 30 minutes ou jusqu'à ce que les biscuits soient dorés et entièrement cuits. Servir immédiatement. **12 à 15 portions**

26

Recettes (suite)

Pour des résultats optimaux, remplir le récipient sécuritaire sur la cuisinière jusqu'à mi-hauteur ou jusqu'à 2,5 cm (1 po) du rebord. Toujours respecter les instructions sur l'emballage. Visiter le site www.foodsafety.gov pour plus d'information au sujet de la température de cuisson interne des aliments.

REMARQUE : Cette recette a été élaborée pour une mijoteuse dotée d'un récipient sécuritaire sur la cuisinière. Si le récipient sécuritaire sur la cuisinière de la mijoteuse n'est pas conçu pour être utilisé sur la cuisinière, utiliser un autre poêlon pour saisir les aliments.

Rôti de porc aux pommes, sauge et romarin

6 à 8 pommes vertes Granny Smith, pelées,
sans cœur et coupées en gros morceaux

15 ml (1 cuillère à soupe) de jus de citron

1,34 à 1,8 kilo (3 à 4 lb) de rôti de porc désossé ou
coupe du centre

2,5 à 5 ml (1/2 à 1 cuillère à café) de sel

2,5 ml (1/2 cuillère à café) de poivre

15 ml (1 cuillère à soupe) d'huile d'olive extravierge

2 oignons rouges, coupés en quartiers

1 branche de sauge fraîche

1 branche de romarin frais

1. Mélanger les pommes et le jus de citron. Mettre de côté.
2. Assaisonner le rôti de porc avec le sel et le poivre.
3. Chauffer l'huile d'olive dans le récipient sécuritaire sur la cuisinière à feu moyen fort. Bien saisir le rôti de tous les côtés et retirer du feu. Retirer le rôti du récipient sécuritaire sur la cuisinière et mettre de côté.
4. Ajouter la moitié des oignons dans le récipient sécuritaire sur la cuisinière puis remuer pour faire brunir avec la chaleur résiduelle du récipient sécuritaire sur la cuisinière.
5. Placer le rôti sur les oignons dans le récipient sécuritaire sur la cuisinière. Entourer le rôti avec les pommes et le reste des oignons.
6. Placer les branches de sauge et de romarin sur le rôti.
7. Couvrir et placer le récipient sécuritaire sur la cuisinière dans la base et cuire à haute intensité (HIGH) pendant 4 heures ou à basse intensité (LOW) pendant 7 à 8 heures.
8. Jeter les branches de romarin et de sauge.
9. Retirer le rôti et placer sur un plat de service et couvrir d'une feuille d'aluminium pour le garder au chaud.
10. Placer le récipient sécuritaire sur la cuisinière contenant le mélange de pommes et d'oignons sur la table de cuisson à feu moyen fort et amener le tout à ébullition. Réduire l'intensité et laisser mijoter doucement pendant 10 minutes ou jusqu'à épaississement de la sauce aux pommes. Remuer à l'occasion. Trancher le rôti de porc et servir avec la sauce aux pommes.

10 à 12 portions

Recettes (suite)

Pour des résultats optimaux, remplir le récipient sécuritaire sur la cuisinière jusqu'à mi-hauteur ou jusqu'à 2,5 cm (1 po) du rebord. Toujours respecter les instructions sur l'emballage. Visiter le site www.foodsafety.gov pour plus d'information au sujet de la température de cuisson interne des aliments.

REMARQUE : Cette recette a été élaborée pour une mijoteuse dotée d'un récipient sécuritaire sur la cuisinière. Si le récipient sécuritaire sur la cuisinière de la mijoteuse n'est pas conçu pour être utilisé sur la cuisinière, utiliser un autre poêlon pour saisir les aliments.

Rôti de bœuf et légumes avec sauce au thym

1,34 à 1,8 kilo (3 à 4 lb) de rôti de bœuf d'extérieur de ronde
2,5 à 5 ml (1/2 à 1 cuillère à café) de sel
2,5 ml (1/2 cuillère à café) de poivre
30 ml (2 cuillères à soupe) d'huile d'olive extravierge
1 gros oignon coupé en quartiers
3 gousses d'ail écrasées et pelées
8 petites pommes de terre rouges

8 petites pommes de terre blanches
3 carottes, tranchées
125 ml (1/2 tasse) de bouillon de bœuf
4 branches de thym frais
175 ml (3/4 de tasse) d'eau
60 ml (1/4 de tasse) de farine tout-usage
15 ml (1 cuillère à soupe) de beurre, facultatif

1. Assaisonner le rôti de bœuf avec le sel et le poivre.
2. Chauffer l'huile d'olive dans le récipient sécuritaire sur la cuisinière à feu moyen fort et saisir le rôti de tous les côtés. Retirer du feu. Retirer le rôti du récipient sécuritaire sur la cuisinière et mettre de côté.
3. Placer l'oignon et l'ail dans le récipient sécuritaire sur la cuisinière et brunir légèrement avec la chaleur résiduelle du récipient sécuritaire sur la cuisinière.
4. Placer le rôti dans le récipient sécuritaire sur la cuisinière sur l'oignon et l'ail. Entourer le rôti avec les pommes de terre et les carottes.
5. Verser le bouillon sur le mélange et garnir avec les branches de thym.
6. Couvrir puis placer le récipient sécuritaire sur la cuisinière dans la base de la mijoteuse et cuire à haute intensité (HIGH) pendant 4 heures ou à basse intensité (LOW) pendant 8 heures.
7. Retirer le rôti du récipient sécuritaire sur la cuisinière et déposer sur un plat de service. Jeter les branches de thym. Utiliser une cuillère à égoutter pour retirer les légumes et les déposer sur le plat de service avec le rôti. Couvrir d'une feuille d'aluminium pour garder au chaud.
8. Replacer le récipient sécuritaire sur la cuisinière sur la table de cuisson à feu moyen et porter les jus à ébullition.
9. Fouetter la farine et l'eau. Ajouter aux jus du récipient sécuritaire sur la cuisinière et faire mijoter en remuant continuellement jusqu'à épaississement.
10. Saler et poivrer la sauce au goût. Terminer en ajoutant le beurre, si désiré, et mélanger pour faire fondre. Servir la sauce avec le rôti et les légumes.

10 à 12 portions

Dépannage

PROBLÈME

Les aliments ne sont pas assez cuits.

Les aliments ne sont pas cuits à la fin du temps de cuisson recommandé dans ma recette.

Mon repas a trop cuit. Pourquoi ?

L'écran d'affichage indique « Err » (erreur) et les aliments ne sont pas cuits.

CAUSE PROBABLE

- Les aliments ont-ils cuit avec le réglage WARM (chaud) ? Ne pas utiliser le réglage de WARM (chaud) pour cuire les aliments ; toujours utiliser les intensités LOW (basses) ou HIGH (élevées).
- Y a-t-il eu une panne électrique ?
- Le réglage de basse (LOW) intensité a-t-il été choisi et utilisé pour un temps de cuisson basé sur la haute intensité (HIGH) ?
- Le couvercle était-il placé correctement sur la mijoteuse ?

• Ceci peut survenir suite à des variations de tension électrique (phénomène commun presque partout) ou à l'altitude. Les modifications légères d'intensité de puissance n'ont pas d'effet important pour la plupart des appareils ; cependant, elles peuvent nuire au temps de cuisson de la mijoteuse et prolonger ce dernier. Allouer suffisamment de temps et choisir le réglage de température approprié. L'apprentissage des temps de cuisson s'acquerra avec l'expérience. **NOTE** : L'événement du couvercle ne modifie pas le temps de cuisson.

- Le récipient sécuritaire sur la cuisinière était-il rempli jusqu'à mi-hauteur ? La mijoteuse a été conçue pour cuire entièrement les aliments dans un récipient rempli à pleine capacité. Si le récipient de la mijoteuse est rempli à mi-hauteur, vérifier si la viande est cuite de 1 à 2 heures avant la fin du temps de cuisson recommandé par la recette.
- Le nombre exact d'heures a-t-il été sélectionné selon la haute intensité (HIGH) ou la basse intensité (LOW) ?
- La température des aliments continue de s'élever après avoir atteint la température désirée.
- Le récipient sécuritaire sur la cuisinière a-t-il été utilisé pour brunir des aliments sur la cuisinière et placé sur la base alors qu'il était chaud ? Si oui, la durée de cuisson peut-être plus courte. Vérifier la cuisson de 30 à 60 minutes avant la fin du temps de cuisson recommandé par la recette.
- Y a-t-il eu un arrêt de courant (panne due à une tempête, etc.) ? Vérifiez si les aliments sont toujours sécuritaires pour la préparation et la cuisson puis tournez le bouton de commande ou appuyez sur l'un des boutons. La mijoteuse commencera la cuisson.

Garantie limitée

Cette garantie s'applique aux produits achetés et utilisés aux É.-U. et au Canada. C'est la seule garantie expresse pour ce produit et est en lieu et place de tout autre garantie ou condition.

Ce produit est garanti contre tout défaut de matériaux et de main-d'oeuvre pour une période de un (1) an à compter de la date d'achat d'origine. Au cours de cette période, votre seul recours est la réparation ou le remplacement de ce produit ou tout composant s'avérant défectueux, à notre gré, mais vous êtes responsable de tous les coûts liés à l'expédition du produit et le retour d'un produit ou d'un composant dans le cadre de cette garantie. Si le produit ou un composant n'est plus offert, nous le remplacerons par un produit similaire de valeur égale ou supérieure.

Cette garantie ne couvre pas le verre, les filtres, l'usure d'un usage normal, l'utilisation non conforme aux directives imprimées, ou des dommages au produit résultant d'un accident, modification, utilisation abusive ou incorrecte. Cette garantie s'applique seulement à l'acheteur original ou à la personne l'ayant reçu en cadeau. La présentation du reçu de vente d'origine comme preuve d'achat est nécessaire pour faire une réclamation au titre de cette garantie. Cette garantie s'annule si le produit est utilisé autrement que par une famille ou si l'appareil est soumis à toute tension ou forme d'onde différente des caractéristiques nominales précisées sur l'étiquette (par ex. : 120 V ~ 60 Hz).

Nous excluons toutes les réclamations au titre de cette garantie pour les dommages spéciaux, consécutifs et indirects causés par la violation de garantie expresse ou implicite. Toute responsabilité est limitée au prix d'achat. **Chaque garantie implicite, y compris toute garantie ou condition de qualité marchande ou d'adéquation à un usage particulier, est exonérée, sauf dans la mesure interdite par la loi, auquel cas la garantie ou condition est limitée à la durée de cette garantie écrite.** Cette garantie vous donne des droits légaux précis. Vous pouvez avoir d'autres droits qui varient selon l'endroit où vous habitez. Certaines provinces ne permettent pas les limitations sur les garanties implicites ou les dommages spéciaux ou indirects de telle sorte que les limitations ci-dessus ne s'appliquent peut-être pas à votre cas.

Ne pas retourner cet appareil au magasin lors d'une réclamation au titre de cette garantie. Téléphoner au 1.800.851.8900 aux É.-U. ou au 1.800.267.2826 au Canada ou visiter le site internet www.hamiltonbeach.com aux É.-U. ou www.hamiltonbeach.ca au Canada. Pour un service plus rapide, trouvez le numéro de modèle, le type d'appareil et les numéros de série sur votre appareil.

SALVAGUARDIAS IMPORTANTES

Cuando utilice artefactos eléctricos, siempre deben seguirse precauciones de seguridad básicas a fin de reducir el riesgo de incendio, descarga eléctrica, y/o lesiones a personas, incluyendo las siguientes:

1. Lea todas las instrucciones.
2. Verifique que el voltaje de su instalación corresponda con el del producto.
3. No toque superficies calientes. Use manijas o perillas con guantes para cocina cuando cocine ya que pueden estar calientes.
4. Para protegerse contra una descarga eléctrica no sumerja el cable, enchufe o la base en agua u otro líquido.
5. Se requiere de una estrecha supervisión cuando cualquier aparato está siendo usado por o cerca de niños.
6. Desconecte de la toma cuando no esté en uso o antes de limpiar. Deje enfriar antes de poner o remover partes.
7. No opere ningún aparato con un cable o enchufe dañado, o después de que el aparato tenga un mal funcionamiento o se haya caído o dañado de cualquier forma. Llame a nuestro número gratuito de servicio al cliente para información sobre examinación, reparación o ajuste.
8. El uso de aditamentos de accesorio no recomendados por el fabricante del aparato puede causar lesiones.
9. No lo use en exteriores.
10. No deje que el cable cuelgue del borde de la mesa o cubierta, o toque superficies calientes, incluyendo la estufa.
11. No coloque la base sobre o cerca de un quemador caliente de gas o eléctrico, o sobre un horno calentado.
12. Se debe tener extrema precaución cuando se mueva un aparato que contenga aceite caliente u otros líquidos calientes.
13. Para desconectar la olla de cocción lenta, gire la perilla de control a APAGADO (O) luego remueva el enchufe de la toma de la pared.
14. **PRECAUCIÓN:** Para prevenir daños o una descarga eléctrica, no cocine sobre la base. Cocine solamente en la olla segura para la estufa.
15. Evite cambios de temperatura repentinos, tales como agregar alimentos refrigerados en una olla segura para la estufa caliente.
16. No use el aparato para otro uso que para el que fue hecho.

¡GUARDE ESTAS INSTRUCCIONES!

Otra Información de Seguridad para el Cliente

Este producto fue hecho para uso en el hogar solamente.

Este producto está diseñado sólo para la preparación, cocinado y servir alimentos. Este producto no está diseñado para usar con ningún material o producto que no sea alimento.

¡ADVERTENCIA! Peligro de Descarga Eléctrica: Este aparato cuenta con un enchufe polarizado (una pata más ancha) que reduce el riesgo de una descarga eléctrica. El enchufe embona únicamente en una dirección dentro de un tomacorriente polarizado. No trate de obviar el propósito de seguridad del enchufe modificándolo de alguna manera o utilizando un adaptador. Si el enchufe no entra completamente en la toma, invierta el enchufe. Si aún no entra, haga que un eléctrico reemplace la toma.

El largo del cable que se usa en este aparato fue seleccionado para reducir el peligro de que alguien se enganche o tropiece con un cable más largo. Si es necesario usar un cable más largo, se podrá usar un cable de extensión aprobado. La clasificación eléctrica nominal del cable de extensión debe ser igual o mayor que la clasificación nominal del aparato. Es importante tener cuidado de colocar el cable de extensión para que no se pliegue sobre el mostrador o la mesera en donde niños puedan tirar del mismo o tropezarse accidentalmente.

TAPA DE VIDRIO Y OLLA SEGURA PARA LA ESTUFA: PRECAUCIONES E INFORMACIÓN

- Por favor maneje la tapa y olla segura para la estufa de manera cuidadosa para asegurar una larga vida de la tapa.
- Evite cambios de temperatura extremos repentinos de la tapa. Por ejemplo, no coloque la tapa caliente en agua fría o sobre una superficie mojada.
- Evite golpear la tapa contra el grifo u otras superficies duras.
- No use la tapa si esta quebrada, rajada o severamente rayada.
- No use limpiadores abrasivos o estropajos de metal.
- La olla segura para la estufa son seguros para usar en horno. La tapa no es apta para usar en hornos.
- Nunca caliente la olla segura para la estufa cuando esté vacía.
- Nunca coloque la tapa u olla segura para la estufa en el microondas o en el horno tostador.
- Nunca coloque la tapa directamente sobre un quemador o estufa.
- Nunca use la tapa u olla segura para la estufa bajo una parrilla.

REMUEVA LA TAPA DE VIDRIO Y LA OLLA SEGURA PARA LA ESTUFA

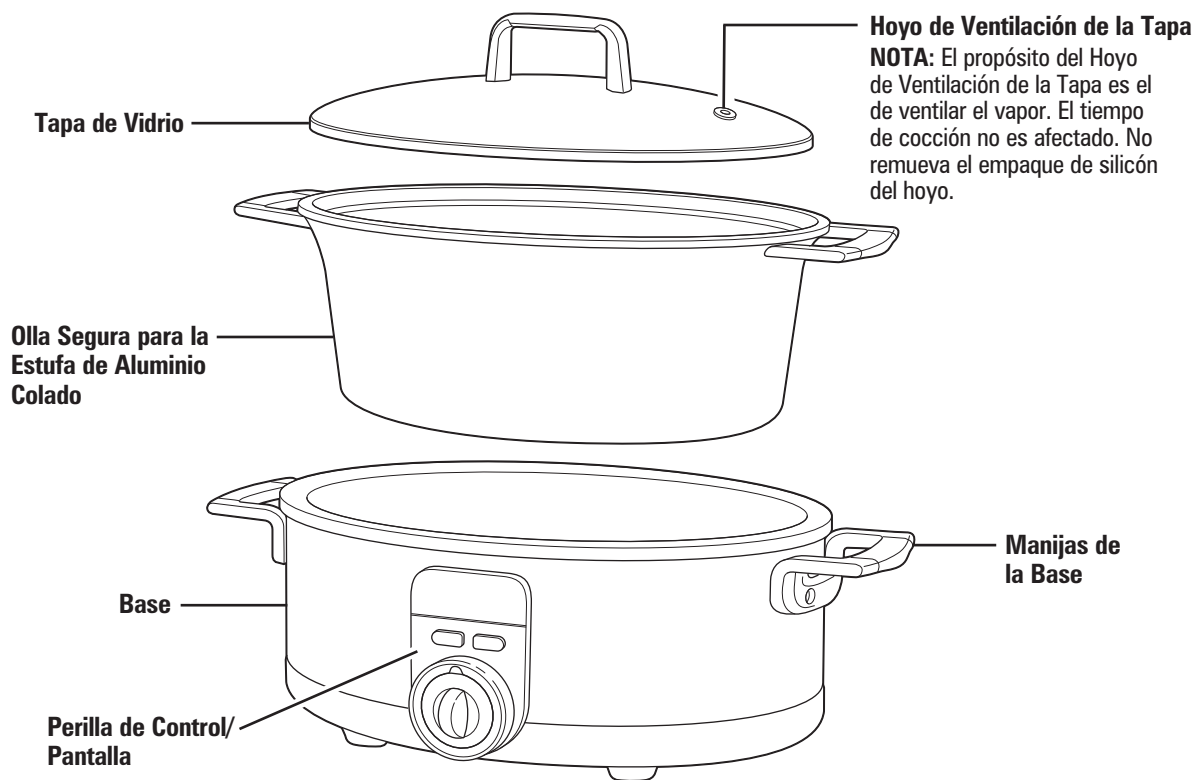
Cuando remueva la tapa, inclínela de manera que la abertura quede hacia otro lado que no sea hacia usted para evitar quemaduras por el vapor.

Las manijas de la tapa, la base, y la olla segura para la estufa, así como los lados de la olla de cocimiento lento, todos se ponen muy calientes durante la cocción. Siempre use guantes para cocina cuando maneje **CUALQUIER** pieza de la olla de cocción lenta durante el cocimiento.

Partes y Características

Capacidad de la Olla Segura para la Estufa

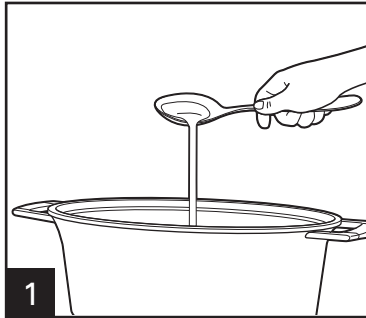
Para mejores resultados, llene la olla segura para la estufa al menos a la mitad pero a no más de una pulgada del borde. Si la olla segura para la estufa sólo está a la mitad de llena, revise si está cocido 1 a 2 horas antes del tiempo de la receta.



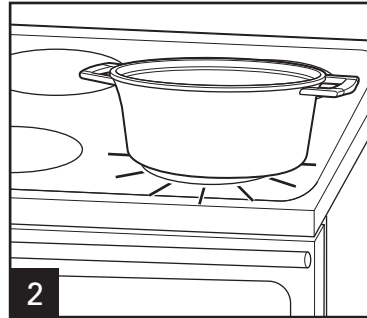
Cómo Dorar en la Olla Segura para la Estufa

ANTES DE USAR POR PRIMERA VEZ: Lave la tapa y la olla segura para la estufa en agua caliente jabonosa. Enjuague y seque.

NOTA: No use utensilios metálicos cuando coloque o retire alimento de la olla segura para la estufa.

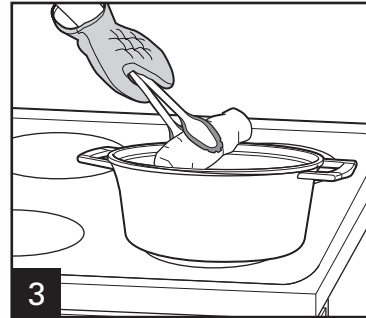


Agregue aceite a la olla segura para la estufa.

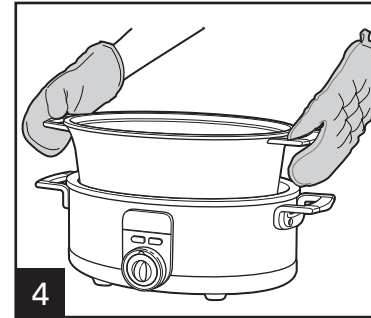


Caliente el aceite en la estufa a fuego medio o alto.

AVISO: No caliente la olla segura para la estufa cuando esté vacía ya que la superficie de cocción y/o la olla segura para la estufa se pueden dañar.



Coloque el alimento a ser chamuscado en la olla segura para la estufa.



Cuando termine de chamuscar, siga la receta o coloque cuidadosamente la olla segura para la estufa en la base. Proceda a la sección "Cómo Cocer Lento".

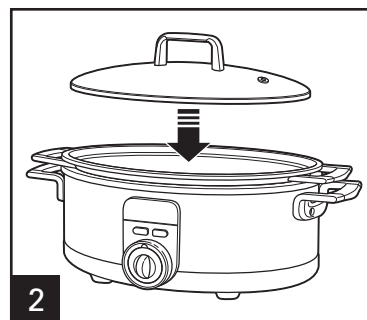
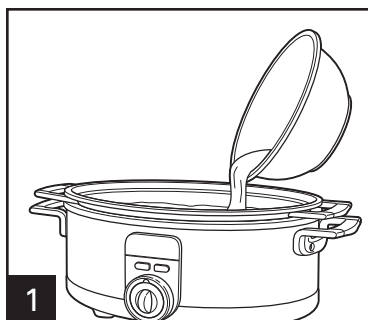
Cómo Cocer Lento

ANTES DE USAR POR PRIMERA VEZ: Lave la tapa y la olla segura para la estufa en agua caliente jabonosa. Enjuague y seque.

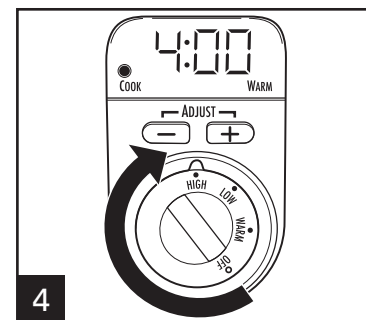
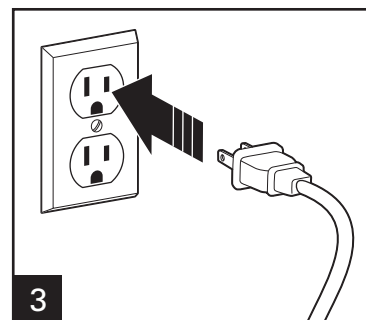
NOTAS:

- No use utensilios metálicos cuando coloque o retire alimento de la olla segura para la estufa.
- La pantalla no muestra otros textos que no sean "Err" (error) y "OFF" (apagado). Cuando la perilla de control se encuentra configurada, la pantalla mostrará el tiempo de cocción configurado y los dígitos del tiempo de cocción destellarán antes de que comience la cocción. Una vez comenzada la cocción, la pantalla mostrará el tiempo de cocción restante y la luz LED de cocción permanecerá encendida.

⚠ ADVERTENCIA Peligro de Seguridad de Comida. La comida de estar lo suficientemente caliente para prevenir el crecimiento de bacterias antes de usar el ajuste de WARM (caliente). El ajuste de WARM (caliente) debe ser usado solamente después de que una receta ha sido cocinada completamente. No recaliente la comida en el ajuste WARM (caliente). Si la comida ha sido cocinada y luego refrigerada, recaliente en LOW (bajo) o HIGH (alto), luego cambie a WARM (caliente). Visite foodsafety.gov para más información.



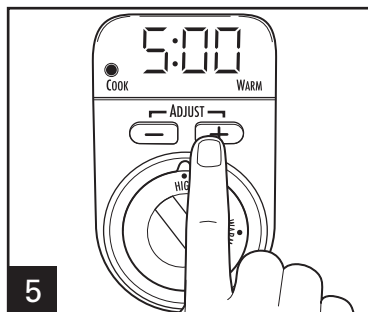
NOTA: El hoyo de ventilación de la tapa no afectará el tiempo de cocción.



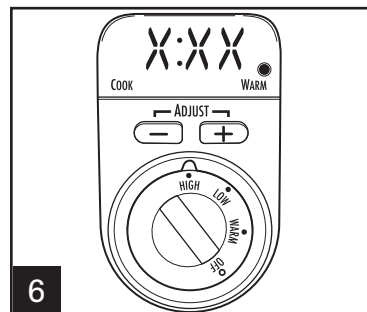
Gire la perilla de control hasta la configuración de calor deseada al cocinar. No cocine en WARM (caliente).

NOTA: La pantalla mostrará el tiempo de cocción predeterminado.

Cómo Cocer Lento (cont.)

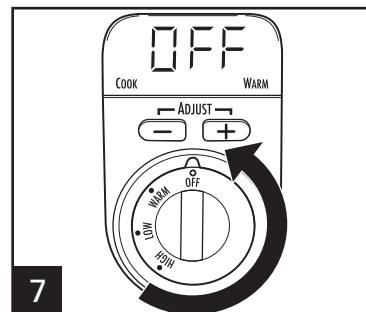


5 Presione el botón + y - para seleccionar el tiempo de cocción.

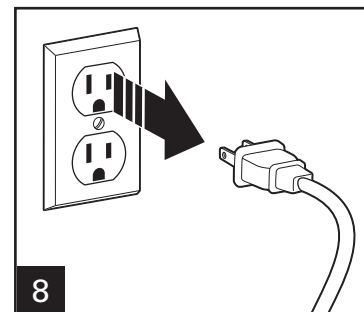


6 Al finalizar el tiempo de cocción, la olla cambiará en forma automática a la configuración WARM (caliente), pero la perilla NO girará automáticamente a WARM (caliente).

NOTA: El tiempo de cocción sumado al tiempo de mantener caliente no puede superar las 14 horas. Cuando la unidad cambia a WARM (caliente), la pantalla (X:XX) mostrará el tiempo que resta de las 14 horas.



7 **NOTA:** La olla de cocción se apagará automáticamente si se la deja encendida por un total de 14 horas. La unidad estará apagada, la pantalla mostrará "OFF", pero la perilla de control NO girará a APAGADO (OFF/O).

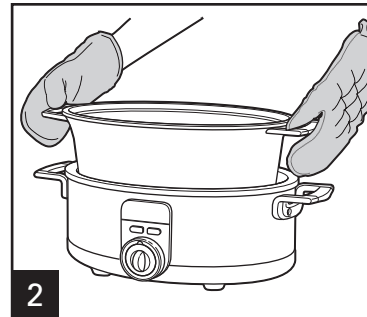
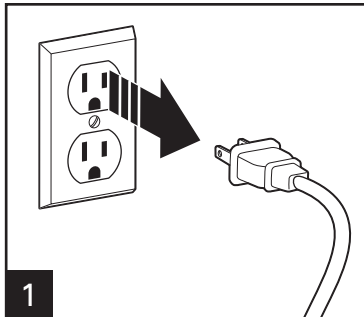


Cuidado y Limpieza

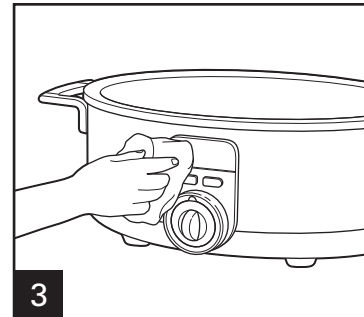
⚠ ADVERTENCIA

Peligro de Descarga Eléctrica.

Desconecte la energía antes de limpiar. No sumerja el cable, enchufe o base en ningún líquido.



Remueva la olla segura para la estufa y deje enfriar.



Olla Segura para la Estufa

Lave la olla segura para la estufa en agua caliente jabonosa.

AVISO: No use utensilios de metal o limpiadores abrasivos cuando limpie la superficie antiadherente de la olla segura para la estufa.



No utilice la configuración "SANI" cuando la lave en el lavavajillas. Las temperaturas del ciclo "SANI" pueden dañar su producto.

Concejos para Cocinar Lento

- La olla segura para la estufa debe estar por lo menos llenada a la mitad para mejores resultados. Si sólo está llena a la mitad, revise si terminó 1 a 2 horas más temprano que en la receta.
- No se requiere menear cuando se cocina lento y remover la tapa de vidrio resulta en una gran pérdida de calor y puede necesitar que se extienda el tiempo de cocinado. Sin embargo, si se cocina en HIGH (alto), puede querer menear ocasionalmente.
- Si cocina sopas o guisados, deje un espacio de 2 pulgadas (5 cm) entre la parte superior de la olla segura para la estufa y la comida de manera que la receta pueda hervir.
- Muchas recetas requieren cocerse todo el día. Si su programa matutino no le deja tiempo para preparar una receta, hágalo la noche anterior. Coloque todos los ingredientes en la olla segura para la estufa, cubra con la tapa y refrigere durante la noche. En la mañana, coloque la olla segura para la estufa en la base.
- Algunos alimentos no se adaptan a un cocimiento extendido en una olla de cocimiento lento. La pasta, mariscos, leche, crema o crema agria deben de agregarse 2 horas antes de servirse. La leche evaporada o sopas condensadas son perfectas para el cocimiento lento.
- Entre más contenido de grasa tenga la carne, menos líquido necesita. Si cocina carne con alto contenido de grasa, coloque rebanadas gruesas de cebolla debajo de la carne de manera que la carne no se asiente (y cocine) en la grasa.
- Las ollas de cocimiento lento permiten muy poca evaporación. Si hace su sopa, guisado o salsa favorita, reduzca el líquido indicado en la receta original. Si está muy espeso, se puede agregar líquido posteriormente.
- Si cocina una cacerola de tipo vegetal, necesita haber líquido en el recipiente para prevenir que se quemen los lados de la olla segura para la estufa.
- Si va a realizar una receta con vegetales de raíz, colóquelos en la parte inferior de la olla segura para la estufa.

Consejos de Seguridad de Alimentos

- No use carne congelada sin cocinar en la olla de cocción lenta. Descongele todas las carnes vacunas y de aves antes de iniciar la cocción lenta.
- Para obtener más información sobre temperaturas seguras de cocción interna, visite www.foodsafety.gov.
- Para almacenar sobras después de la cocción, NO coloque toda la olla en el refrigerador porque los alimentos tardarán demasiado en enfriarse. Divida las sobras en recipientes más pequeños y colóquelos en el refrigerador.
- Nunca permita que carne cruda o poco cocida quede a temperatura ambiente dentro de la olla de cocción lenta. Una vez que la carne se coloca en la olla, ésta debe cocinarse de inmediato (a menos que se prepare la olla de cocción lenta la noche anterior, en cuyo caso la olla segura para la estufa debe colocarse en el refrigerador).

SI USTED VIVE EN UNA ÁREA DE ALTITUD ELEVADA:

El servicio de extensión tendrá información detallada sobre cocción en su área. Para ubicar el servicio de extensión cooperativa en su condado, tenga a bien visitar la siguiente página:
<http://www.csrees.usda.gov/Extension/>.

Recetas

Para mejores resultados, llene la olla segura para la estufa al menos a la mitad pero no más de una pulgada del borde. Siempre siga las direcciones del empaque. Visite foodsafety.gov para más información sobre temperaturas seguras de cocinado.

NOTA: Esta receta fue realizada para una olla de cocción lenta con un accesorio seguro para la estufa. Si usted no cuenta con una olla de cocción lenta con una olla segura para la estufa, debe utilizarse una sartén separada para dorar los alimentos.

Pollo Cacciatore a la Olla de Cocción Lento

3–4 libras (1.34–1.8 kg) de piezas de pollo

1/2–1 cucharaditas (2.5–5 ml) de sal

1/2 cucharadita (2.5 ml) de pimienta molida fresca

2 cucharadas (30 ml) de aceite de olivo extra virgen

2 cebollas amarillas, picadas

1 1/2 frascos de 24 onzas (750 ml) de salsa para pasta

1 libra (450 g) de pasta para fettuccini

1. Sazone las piezas de pollo con sal y pimienta.
2. Caliente 1 cucharada (15 ml) de aceite de olivo en la olla segura para la estufa sobre fuego medio-alto.
3. Dore el pollo sazonado bien por todos lados, en manojos si es necesario.
4. Remueva el pollo de la olla segura para la estufa y póngalo a un lado.
5. Agregue el aceite de olivo restante y cocine la cebolla hasta que esté suave, por unos 3 minutos.
6. Agregue el pollo de vuelta a la olla segura para la estufa con la cebolla.
7. Vacíe la salsa para pasta sobre el pollo.
8. Cubra, coloque la olla segura para la estufa sobre la base de cocción lenta y cocine en HIGH (alto) por 4 horas o LOW (bajo) por 8 horas.
9. Cocine la pasta de acuerdo a las instrucciones de empaque. Sirva el pollo y la salsa con pasta.

Rinde 8–10 porciones

¡Visite www.hamiltonbeach.com.mx para obtener nuestra línea completa de productos y las Guías de Uso y Cuidado, además de deliciosas recetas, consejos y para registrar su producto en línea!



Recetas (cont.)

Para mejores resultados, llene la olla segura para la estufa al menos a la mitad pero no más de una pulgada del borde. Siempre siga las direcciones del empaque. Visite foodsafety.gov para más información sobre temperaturas seguras de cocinado.

NOTA: Esta receta fue realizada para una olla de cocción lenta con un accesorio seguro para la estufa. Si usted no cuenta con una olla de cocción lenta con una olla segura para la estufa, debe utilizarse una sartén separada para dorar los alimentos.

Guisado de Pollo con Bisquets

8 pechugas de pollo sin hueso, en cubos
2–4 cucharadas (30–60 ml) de aceite de olivo extra virgen, divididas
1 cucharadita (5 ml) de sal
1/2 taza (2.5 ml) de pimienta molida fresca

2 cebollas amarillas grandes, picadas
2 tazas (500 ml) de caldo de pollo, dividido
1/3 taza (80 ml) de mantequilla, suavizada
3 cucharadas (45 ml) de harina para todo propósito
6 zanahorias, peladas y rebanadas

16 onzas (450 g) de chícharos congelados de paquete
1/2 taza (125 ml) de crema para batir
12–18 bisquets de refrigerador
4 ramos de tomillo fresco

1. Cubos de pollo sazonados con sal y pimienta.
2. Caliente 1 cucharada (15 ml) de aceite de olivo en la olla segura para la estufa sobre fuego medio y cubos de pollo dorados, en manojos, en todos los lados. Use aceite de olivo adicional entre manojos, si es necesario. Remueva el pollo dorado de la olla segura para la estufa segura y póngalo a un lado.
3. Agregue el aceite de olivo restante a la olla segura para la estufa y cocine las cebollas hasta que estén translúcidas y ligeramente café.
4. Agregue pollo a la cebolla en la olla segura para la estufa.
5. Agregue 1 taza (250 ml) de caldo de pollo y combine.
6. Coloque ramos de tomillos sobre la mezcla, cocine y coloque la olla segura para la estufa sobre la base. Cocine en HIGH (alto) por 3 horas o LOW (bajo) por 6 horas.
7. Combine la mantequilla suavizada con la harina.
8. Remueva la olla segura para la estufa de la base y colóquela sobre la estufa. Sobre fuego medio, agregue la mezcla de mantequilla/harina y menea.
9. Agregue y menea la taza (250 ml) restantes de caldo de pollo y cocine hasta que el guisado esté espeso.
10. Remueva de la lumbre y agregue y menea las zanahorias.
11. Regrese a la base de la olla segura para la estufa de cocción lenta y cocine en HIGH (alto) por 30 minutos o LOW (bajo) por 1 hora.
12. Precaliente el horno por 375°F (190°C).
13. Remueva la olla segura para la estufa de la base y colóquela sobre la estufa. Sobre fuego medio, agregue los chícharos congelados y la crema. Caliente hasta hervir, remueva de la lumbre y sazone al gusto con sal y pimienta.
14. Coloque los bisquets refrigerados sobre el guisado de pollo caliente.
15. Coloque en el horno precalentado y hornee, descubierto, por 25–30 minutos o hasta que los bisquets se doren o se cocinen completamente. Sirva inmediatamente.

Rinde 12–15 porciones

40

Recetas (cont.)

Para mejores resultados, llene la olla segura para la estufa al menos a la mitad pero no más de una pulgada del borde. Siempre siga las direcciones del empaque. Visite foodsafety.gov para más información sobre temperaturas seguras de cocinado.

NOTA: Esta receta fue realizada para una olla de cocción lenta con un accesorio seguro para la estufa. Si usted no cuenta con una olla de cocción lenta con una olla segura para la estufa, debe utilizarse una sartén separada para dorar los alimentos.

Cerdo Asado con Manzanas, Salvia y Romero

6–8 manzanas Granny Smith, peladas, sin semillas
y cortadas en pedazos grandes
1 cucharada (15 ml) de jugo de limón
3–4 libras (1.34–1.8 kg) de centros de costilla de puerco
asada o sin hueso
1/2–1 cucharadita (2.5–5 ml) de sal

1/2 cucharadita (2.5 ml) pimienta
1 cucharada (15 ml) de aceite de olivo extra virgen
2 cebollas rojas, cortadas en cuña
1 ramo de salvia fresco
1 ramo de romero fresco

1. Eche las manzanas con el jugo de limón. Póngalo a un lado.
2. Sazone el asado con sal y pimienta.
3. Caliente el aceite de olivo en la olla segura para la estufa sobre fuego medio-alto. Dore bien el asado por todos lados y remueva del fuego. Remueva el asado de la olla segura para la estufa y póngalo a un lado.
4. Agregue 1/2 cebolla a la sartén y menee hasta dorar ligeramente con el calor residual de la olla segura para la estufa.
5. Coloque el asado sobre las cebollas en la olla segura para la estufa. Rodee el asado con manzanas y las cebollas restantes.
6. Coloque los ramos de salvia y romero sobre el asado.
7. Cubra, coloque la olla segura para la estufa sobre la base y cocine en HIGH (alto) por 4 horas o LOW (bajo) por 7–8 horas.
8. Remueva los ramos de romero y salvia.
9. Remueva el asado al plato para servir y cubra con aluminio para mantener caliente.
10. Coloque la olla segura para la estufa con la mezcla de manzana y cebolla sobre la estufa sobre fuego medio-alto y haga hervir. Reduzca el calor y haga hervir gentilmente por aproximadamente 10 minutos o hasta que la salsa de manzana esté espesa. Menee ocasionalmente. Rebane el asado de puerco y sirva con salsa de manzana.

Rinde 10–12 porciones

Recetas (cont.)

Para mejores resultados, llene la olla segura para la estufa al menos a la mitad pero no más de una pulgada del borde. Siempre siga las direcciones del empaque. Visite foodsafety.gov para más información sobre temperaturas seguras de cocinado.

NOTA: Esta receta fue realizada para una olla de cocción lenta con un accesorio seguro para la estufa. Si usted no cuenta con una olla de cocción lenta con una olla segura para la estufa, debe utilizarse una sartén separada para dorar los alimentos.

Carne Asada con Verduras y Gravy de Tomillo

3–4 libras (1.34–1.8 kg) de carne pulpa cuarto trasero
1/2–1 cucharadita (2.5–5 ml) de sal
1/2 cucharadita (2.5 ml) pimienta
2 cucharadas (30 ml) de aceite de olivo extra virgen
1 cebolla grande, cortada en cuñas
3 dientes de ajo, molidos y pelados
8 papas rojas bebé

8 papas blancas bebé
3 zanahorias, rebanadas
1/2 taza (125 ml) de caldo de carne
4 ramos de tomillo fresco
3/4 taza (175 ml) de agua
1/4 taza (60 ml) de harina para todo uso
1 cucharada (15 ml) de mantequilla, opcional

1. Sazone la carne con sal y pimienta.
2. Caliente el aceite de oliva en la olla segura para la estufa sobre fuego medio-alto y dore la carne bien por todos lados. Remueva del fuego. Remueva el asado de la olla segura para la estufa y póngalo a un lado.
3. Coloque la cebolla y ajo en la olla segura para la estufa y dore ligeramente con el calor residual de la olla segura para la estufa.
4. Coloque el asado sobre la cebolla y ajo en la olla segura para la estufa. Rodee el asado con papas y zanahorias.
5. Vacíe el caldo sobre todo y corónelo con ramos de tomillo.
6. Cubra, coloque la olla segura para la estufa sobre la base de cocción lenta y cocine en HIGH (alto) por 4 horas o LOW (bajo) por 8 horas.
7. Remueva el asado y ponga en los platos para servir. Deseche los ramos de tomillo. Usando una espumera, remueva las verduras al plato para servir con el asado. Cubra con aluminio para mantener caliente.
8. Coloque la olla segura para la estufa de vuelta sobre la estufa sobre fuego medio y haga que hierva los jugos del sartén.
9. Bata junta la harina y el agua. Agregue los jugos del sartén y cosa a fuego lento, meneando hasta que esté espeso.
10. Sazone el gravy al gusto con sal y pimienta. Termine agregando mantequilla, si lo desea, meneando hasta que se derrita. Sirva el gravy con el asado y verduras.

Rinde 10–12 porciones

Resolviendo Problemas

PROBLEMA	CAUSA PROBABLE
Los alimentos no están bien cocidos.	<ul style="list-style-type: none"> • ¿Se cocinó la comida en el ajuste de WARM (caliente)? No cocine en WARM (caliente); siempre cocine en los ajustes de calor LOW (bajo) o HIGH (alto). • ¿Se interrumpió la corriente? • ¿Seleccionó el ajuste de calor LOW (bajo) pero uso el tiempo de cocción basado en el ajuste de calor HIGH (alto)? • ¿Colocó la tapa correctamente en la olla segura para la estufa?
Los alimentos no quedan cocidos después de cocinarlos durante el tiempo recomendado en la receta.	<ul style="list-style-type: none"> • Esto se puede deber a las variaciones de voltaje (que es común en todos lados) o la altitud. Las ligeras fluctuaciones de energía no tienen un efecto notable en la mayoría de los aparatos; sin embargo, pueden alterar los tiempos de cocción en la olla segura de cocción lenta al extender los tiempos de cocción. De un tiempo suficiente y seleccione el ajuste de calor adecuado. Aprenderá con la experiencia si se requiere de un tiempo menor o mayor. <p>NOTA: El hoyo de ventilación de la tapa no afectará el tiempo de cocción.</p>
¿Mis alimentos se cocieron de más? ¿Por qué?	<ul style="list-style-type: none"> • ¿Estaba por lo menos llena a la mitad la olla segura para la estufa? La olla de cocimiento lento ha sido diseñada para cocer completamente el alimento en una olla segura para la estufa llena. Si la olla segura para la estufa está sólo llena a la mitad, revise que esté lista 1a 2 horas antes del tiempo de la receta. • ¿Seleccionó el número correcto de horas basado en la temperatura de cocción (bajo o alto)? • Los alimentos continuarán incrementando la temperatura después que la temperatura deseada se ha alcanzado. • ¿Usó la olla segura para la estufa para dorar alimentos sobre la estufa y colocada en la base mientras aún está caliente? Si es así, el tiempo de cocción puede ser menor. Revise si está listo 30 minutos a 1 hora antes del tiempo de la receta.
La pantalla muestra "Err" (error) y los alimentos no se han cocinado.	<ul style="list-style-type: none"> • ¿La electricidad se cortó (debido a un apagón, tormenta eléctrica, etc.)? Tenga a bien verificar si los alimentos siguen siendo seguros para el consumo; luego gire la perilla de control o presione cualquier botón. La olla de cocción se encenderá.

Notas

44

Notas

Hamilton Beach®

Importado por Grupo HB PS, S.A. de C.V.
Monte Elbruz No. 124 Int. 301
Col. Palmitas Polanco
México, D.F. C.P. 11560
01-800-71-16-100

PÓLIZA DE GARANTÍA

PRODUCTO:	MARCA:		MODELO:
Grupo HB PS, S.A. de C.V. cuenta con una Red de Centros de Servicio Autorizada, por favor consulte en la lista anexa el nombre y dirección de los establecimientos en la República Mexicana en donde usted podrá hacer efectiva la garantía, obtener partes, componentes, consumibles y accesorios; así como también obtener servicio para productos fuera de garantía. Para mayor información llame sin costo: Centro de Atención al consumidor: 01 800 71 16 100			
Grupo HB PS, S.A. de C.V. le otorga a partir de la fecha de compra: GARANTÍA DE 1 AÑO.			
COBERTURA			
<ul style="list-style-type: none">• Esta garantía ampara, todas las piezas y componentes del producto que resulten con defecto de fabricación incluyendo la mano de obra.• Grupo HB PS, S.A. de C.V. se obliga a reemplazar, reparar o reponer, cualquier pieza o componente defectuoso; proporcionar la mano de obra necesaria para su diagnóstico y reparación, todo lo anterior sin costo adicional para el consumidor.• Esta garantía incluye los gastos de transportación del producto que deriven de su cumplimiento dentro de su red de servicio.			
LIMITACIONES			
<ul style="list-style-type: none">• Esta garantía no ampara el reemplazo de piezas deterioradas por uso o por desgaste normal, como son: cuchillas, vasos, vasos, filtros, etc.• Grupo HB PS, S.A. de C.V. no se hace responsable por los accidentes producidos a consecuencia de una instalación eléctrica defectuosa, ausencia de toma de tierra, clavija de enchufe en mal estado, etc.			
EXCEPCIONES			
Esta garantía no será efectiva en los siguientes casos: <ul style="list-style-type: none">a) Cuando el producto se hubiese utilizado en condiciones distintas a las normales. (Uso industrial, semi-industrial o comercial.)b) Cuando el producto no hubiese sido operado de acuerdo con el instructivo de uso.c) Cuando el producto hubiese sido alterado o reparado por personas no autorizadas por Grupo HB PS, S.A. de C.V. el fabricante nacional, importador o comercializador responsable respectivo.d) Esta garantía pierde su validez si el producto es utilizado en un medio diferente a una vivienda unifamiliar o se somete a cualquier voltaje o forma de onda diferente a la especificada en la etiqueta de clasificación (ej., 120V ~ 60 Hz). El consumidor puede solicitar que se haga efectiva la garantía ante la propia casa comercial donde adquirió su producto, siempre y cuando Grupo HB PS, S.A. de C.V. no cuente con talleres de servicio.			

46

PROCEDIMIENTO PARA HACER EFECTIVA LA GARANTÍA

- Para hacer efectiva la garantía no deben exigirse mayores requisitos que la presentación del producto y la póliza correspondiente, debidamente sellada por el establecimiento que lo vendió.
- Para hacer efectiva la garantía, lleve su aparato al Centro de Servicio Autorizado más cercano a su domicilio (consulte la lista anexa).
- Si no existe Centro de Servicio Autorizado en su localidad llame a nuestro Centro de Atención al Consumidor para recibir instrucciones de como hacer efectiva su garantía.
- El tiempo de reparación, en ningún caso será mayor de 30 días naturales contados a partir de la fecha de recepción del producto en nuestros Centros de Servicio Autorizados.
- En caso de que el producto haya sido reparado o sometido a mantenimiento y el mismo presente deficiencias imputables al autor de la reparación o del mantenimiento dentro de los treinta días naturales posteriores a la entrega del producto al consumidor, éste tendrá derecho a que sea reparado o mantenido de nuevo sin costo alguno. Si el plazo de la garantía es superior a los treinta días naturales, se estará a dicho plazo.
- El tiempo que duren las reparaciones efectuadas al amparo de la garantía no es computable dentro del plazo de la misma. Cuando el bien haya sido reparado se iniciará la garantía respecto de las piezas repuestas y continuará con relación al resto. En el caso de reposición del bien deberá renovarse el plazo de la garantía.

DÍA__ MES__ AÑO__

Si desea hacer comentarios o sugerencias con respecto a nuestro servicio o tiene alguna queja derivada de la atención recibida en alguno de nuestros Centros de Servicio Autorizados, por favor dirigirse a:

GERENCIA INTERNACIONAL DE SERVICIO
01 800 71 16 100
Email: mexico.service@hamiltonbeach.com.mx

RED DE CENTROS DE SERVICIO AUTORIZADA GRUPO HB PS, S.A. DE C.V.

Distrito Federal

ELECTRODOMÉSTICOS

Av. Plutarco Elías Calles No. 1499
Zacahuitzco MEXICO 09490 D.F.
Tel: 01 55 5235 2323 • Fax: 01 55 5243 1397

CASA GARCIA

Av. Patriotismo No. 875-B
Mixcoac MEXICO 03910 D.F.
Tel: 01 55 5563 8723 • Fax: 01 55 5615 1856

Nuevo Leon

FERNANDO SEPULVEDA REFACCIONES

Ruperto Martínez No. 238 Ote.
Centro MONTERREY, 64000 N.L.
Tel: 01 81 8343 6700 • Fax: 01 81 8344 0486

Jalisco

SERVICIOS DE MANTENIMIENTO CASTILLO

Garibaldi No. 1450
Ladrón de Guevara
GUADALAJARA 44660 Jal.
Tel: 01 33 3825 3480 • Fax: 01 33 3826 1914

Chihuahua

DISTRIBUIDORA TURMIX

Av. Paseo Triunfo de la Rep. No. 5289 Local 2 A.
Int. Hipermart
Alamos de San Lorenzo
CD. JUAREZ 32340 Chih.
Tel: 01 656 617 8030 • Fax: 01 656 617 8030

Modelo:
33567

Tipo:
SC42

Características Eléctricas:
120V~ 60Hz 290W

Los modelos incluidos en el instructivo de Uso y Cuidado pueden ir seguidos o no por un sufijo correspondiente a una o varias letras del alfabeto y sus combinaciones, separadas o no por un espacio, coma, diagonal, o guión. Como ejemplos los sufijos pueden ser: "Y" y/o "MX" y/o "MXY" y/o "Z".

840206701

9/12

Free Manuals Download Website

<http://myh66.com>

<http://usermanuals.us>

<http://www.somanuals.com>

<http://www.4manuals.cc>

<http://www.manual-lib.com>

<http://www.404manual.com>

<http://www.luxmanual.com>

<http://aubethermostatmanual.com>

Golf course search by state

<http://golfingnear.com>

Email search by domain

<http://emailbydomain.com>

Auto manuals search

<http://auto.somanuals.com>

TV manuals search

<http://tv.somanuals.com>